

# TUBE•LINE™

Tubeline Manufacturing Limited  
6455 Reid Woods Drive RR #4  
Elmira, Ontario, Canada N3B 2Z3

Email: [sales@tubeline.ca](mailto:sales@tubeline.ca)

Fax: 519.669.5808

Tel: 519.669.9488

Toll-free (North America): 1.888.856.6613

[www.tubeline.ca](http://www.tubeline.ca)

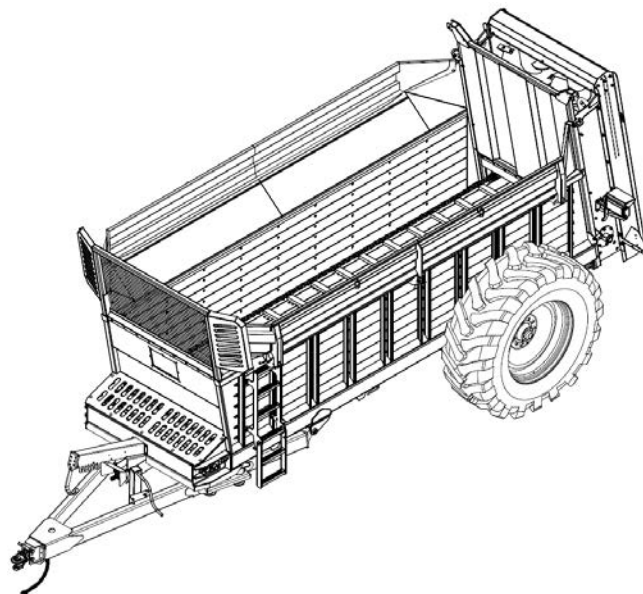
# Parts Manual

Keep this manual with the machine at all times.

# NITRO

## Manure Spreader

# Nitro 750



# Parts Manual

Thank you for choosing the Tubeline Nitro 750 Manure Spreader. Our hope is that it will give you many years of productive service. This machine is designed to spread various types of manure evenly over a wide area.

## Warranty and Limitation of Liability

All equipment is sold subject to mutual agreement that it is warranted by the company to be free from defects of materials and workmanship. But the company shall not be liable for special, indirect or consequential, damages of any kind under this contract or otherwise. The company's liability shall be limited exclusively to replacing or repairing without charge, at its factory or elsewhere, at its discretion.

Any material, or workmanship defects which become apparent within one year from the date on which the equipment was purchased, and the company shall have no liability for damages of any kind. The buyer by the acceptance of the equipment will assume all liability for any damages, which may result from the use or misuse by his employees or others.

## Nitro Apron Chain Warranty



Tubeline Manufacturing Ltd offers a limited lifetime non-transferable warranty to the original purchaser of a Nitro manure spreader. This warranty applies to chain link breakage and covers parts only. Should a connecting link fail, only it will be replaced. However, if a standard link breaks the complete chain will be provided. Freight and labor to install is the responsibility of the purchaser and is not covered under the terms of the limited warranty.

Tubeline Manufacturing Ltd reserves the right to request the return of the failed chain.

Warranty coverage is null and void unless Warranty Registration form has been completely filled in and is on file at Tubeline Manufacturing Ltd.

## Manuals

Parts manuals are printed and shipped with machines as they leave the manufacturer. Your machine may include parts or features not yet included in the initially shipped manual. The latest manual version can be found at [www.tubeline.ca/support](http://www.tubeline.ca/support). Tubeline reserves the right to update and change manuals as seen fit. Dealers are informed of any pressing changes/ modifications. They can help you with any questions regarding replacement parts.

## Serial Number

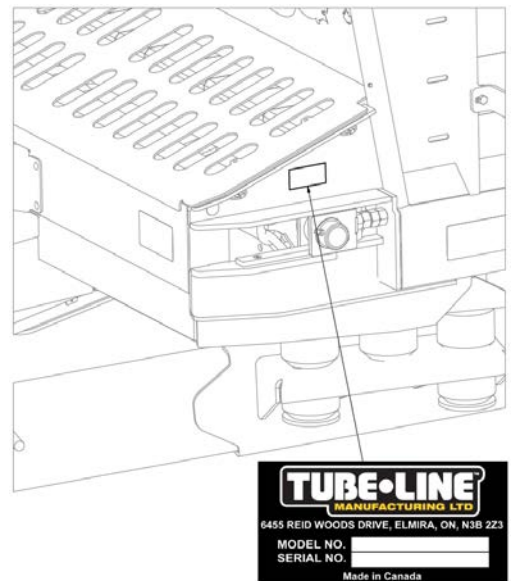
The implement serial number is located on the front of the frame. This number helps us to track changes and improvements and must be mentioned when ordering parts or requesting service. For your convenience, a space has been provided inside the front cover of this manual to record the serial number, model number, purchase date, and dealer name.

Model No: \_\_\_\_\_ N750 \_\_\_\_\_

Serial No: \_\_\_\_\_

Date Purchased: \_\_\_\_\_

Dealer Name: \_\_\_\_\_



# Table of Contents

<b>Parts Manual</b>	<b>II</b>
Warranty and Limitation of Liability	II
Nitro Apron Chain Warranty	II
Manuals	II
Serial Number	II
Safety Sign Locations	V
Safety Decals	VI
ISO Safety Decal Locations	VIII
ISO Safety Decals	IX
<b>Section 2 - Parts Breakdowns &amp; Lists</b>	<b>2-1</b>
Tongue	2-2
Front Components	2-4
Scrapers	2-6
Rear Components	2-8
Beaters	2-10
Lower Beater Assembly	2-12
Apron Drive	2-14
Single Axle	2-16
Single Axle (Current)	2-18
Tandem Axle	2-20
Tandem Axle (Current)	2-22
Driveline	2-24
Driveline (Current)	2-26
Apron Runners	2-28
Hydraulic Layout	2-30
Grease Line Layout	2-32
Grease Line Layout (Current)	2-34
Side - Floor Boards	2-36
<b>Section 3 - Options</b>	<b>3-1</b>
Optional Kit Numbers	3-1
Hitch Options	3-2
Mechanical Light Kit - 43675	3-4
Light Kit Base	3-6
Manual Light Kit	3-8
Hydraulic Light Kit Cylinders	3-9
Hydraulic Light Kit Hoses	3-10
Light Kit Wiring	3-12
N750SB - Single Axle Brake Kit	3-14
N750TB - Tandem Axle Brake Kit	3-15
N750LC (GT400) / N750LCNT460 Scales	3-16
N750LCNT8000 Scales	3-17
Flow Control Mounting	3-18
Flow Control Hydraulic Layout - Manual	3-19
Flow Control Hydraulic Layout - Electric (Original)	3-20
Flow Control Hydraulic Layout - Electric (Current)	3-21
Electric Flow Control Wiring	3-22
Silage Sides - TLVSSE750	3-24
Flange Paddle Kit - 41503	3-26
Endgate Indicator Kit - 45813	3-28

<b>Section 4: Poultry Beater</b>	<b>4-1</b>
Poultry Beater (Original) - Beaters	4-1
Poultry Beater (Original) - Endgate	4-3
Poultry Beater (Original) - Frame	4-5
Poultry Beater (Original) - Drivelines	4-7
Poultry Beater (Original) - Spinners	4-9
Poultry Beater (Current) - Beaters	4-11
Poultry Beater (Current) - Endgate	4-13
Poultry Beater (Current) - Frame	4-15
Poultry Beater (1st Change) - Spinners	4-17
Poultry Beater (Current) - Spinners	4-19
Poultry Beater (Current) - Drivelines	4-21
Poultry Beater Short Driveline - 43976	4-23
Poultry Beater Long Driveline - 43977	4-24
Poultry Beater Side Gearbox - Original - 37827	4-25
Poultry Beater Lower Gearbox - Original - 37828	4-27
Poultry Beater Lower Gearbox - Current - 45002	4-29
Poultry Beater Lower Side Gearbox - Current - 45003	4-31
Poultry Beater Upper Side Gearbox - Current - 45004	4-33
<b>Section 5 - PTOs</b>	<b>5-1</b>
36638 - N750 Drive Line with Over Running Clutch	5-1
30840 - PTO Slip Clutch for Manure Spreader	5-3
30841 - PTO Secondary Shaft - Manure Spreader	5-5
39850 - PTO. 375,450,525,600,750 (V80-141P028359-028028-CV80-CLS)	5-7
39852 - PTO. 600, 750,275 (T60-086P265011-306028-CLS(2500NM))	5-9
<b>Section 6: Gearboxes</b>	<b>6-1</b>
30846 - Beater Gearbox	6-1
30843 - RT650 Apron Chain Gearbox	6-3
49996 - CNM650 Apron Chain Gearbox	6-5
<b>Torque Values - Imperial</b>	<b>7-1</b>
<b>Torque Values - Metric</b>	<b>8-1</b>



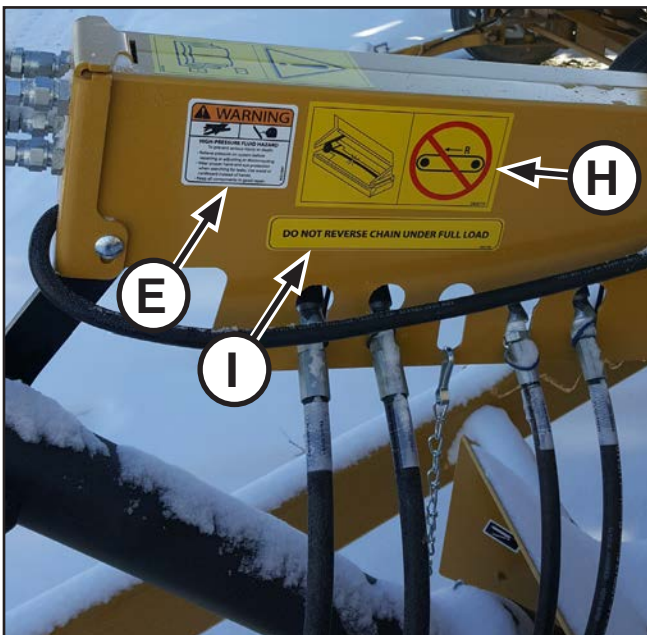
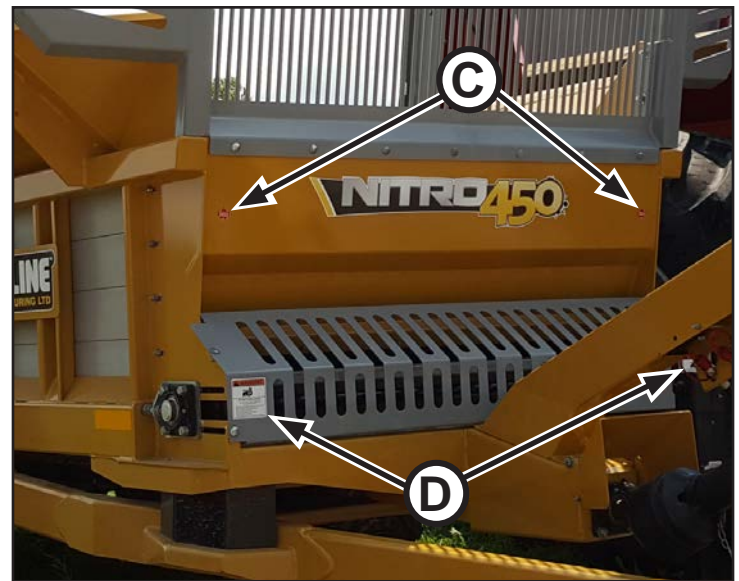
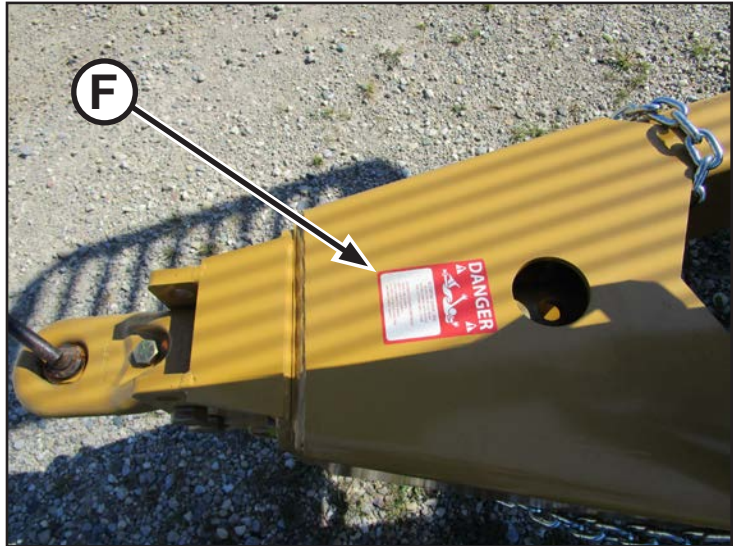
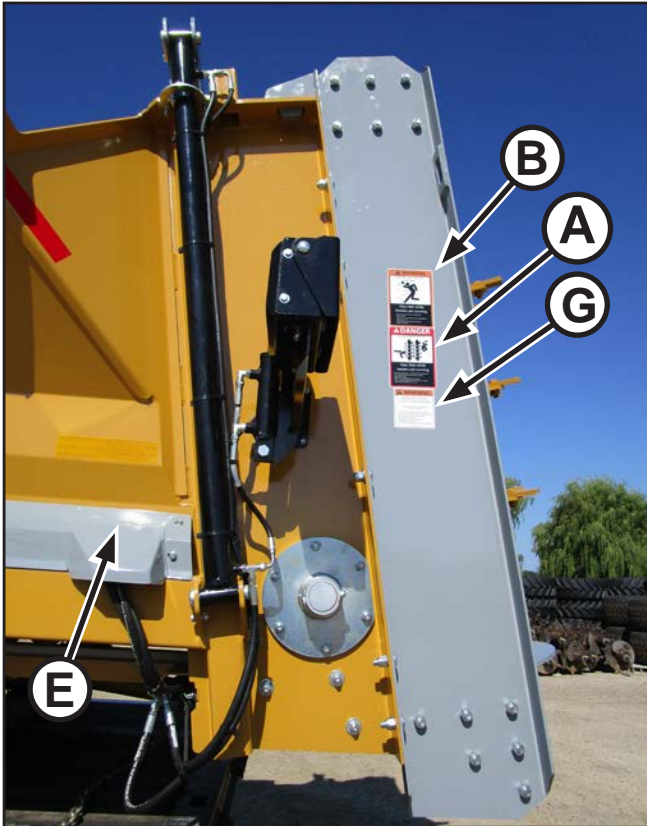
## Safety Sign Locations

The types of safety signs and locations on the equipment are shown in the illustrations that follow. Good safety requires that you familiarize yourself with the various safety signs, the types of warning, and the area, or proper function related to that area, that requires your safety awareness.

*Examples only - Actual decals may differ in text and graphic representation.*

### REMEMBER

If safety signs have been damaged, removed, become illegible or parts replaced without safety signs, new safety signs must be applied. New safety signs are available from your authorized dealer.



## Safety Decals

Item - A

Part No: DE39395



Item - B

Part No: DE39396



Item - C

Part No: DECANADA



Item - D

Part No: DE23836



Item - E

Part No: DE23838





## Safety Decals

Item - H

Part No: DE39397



Item - G

Part No: DE23845



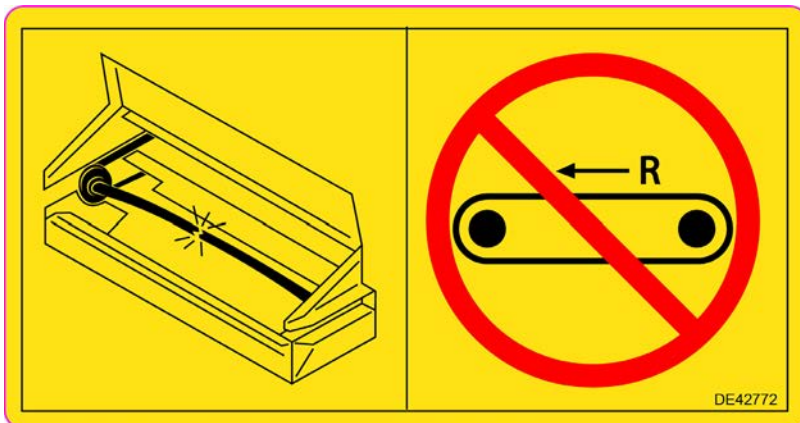
Item - J Part No: DE42784

See Operators Manual for decal explanation.

Item - H

Part No: DE42772

Reversing apron chain while spreader is fully loaded will cause front apron shaft breakage.

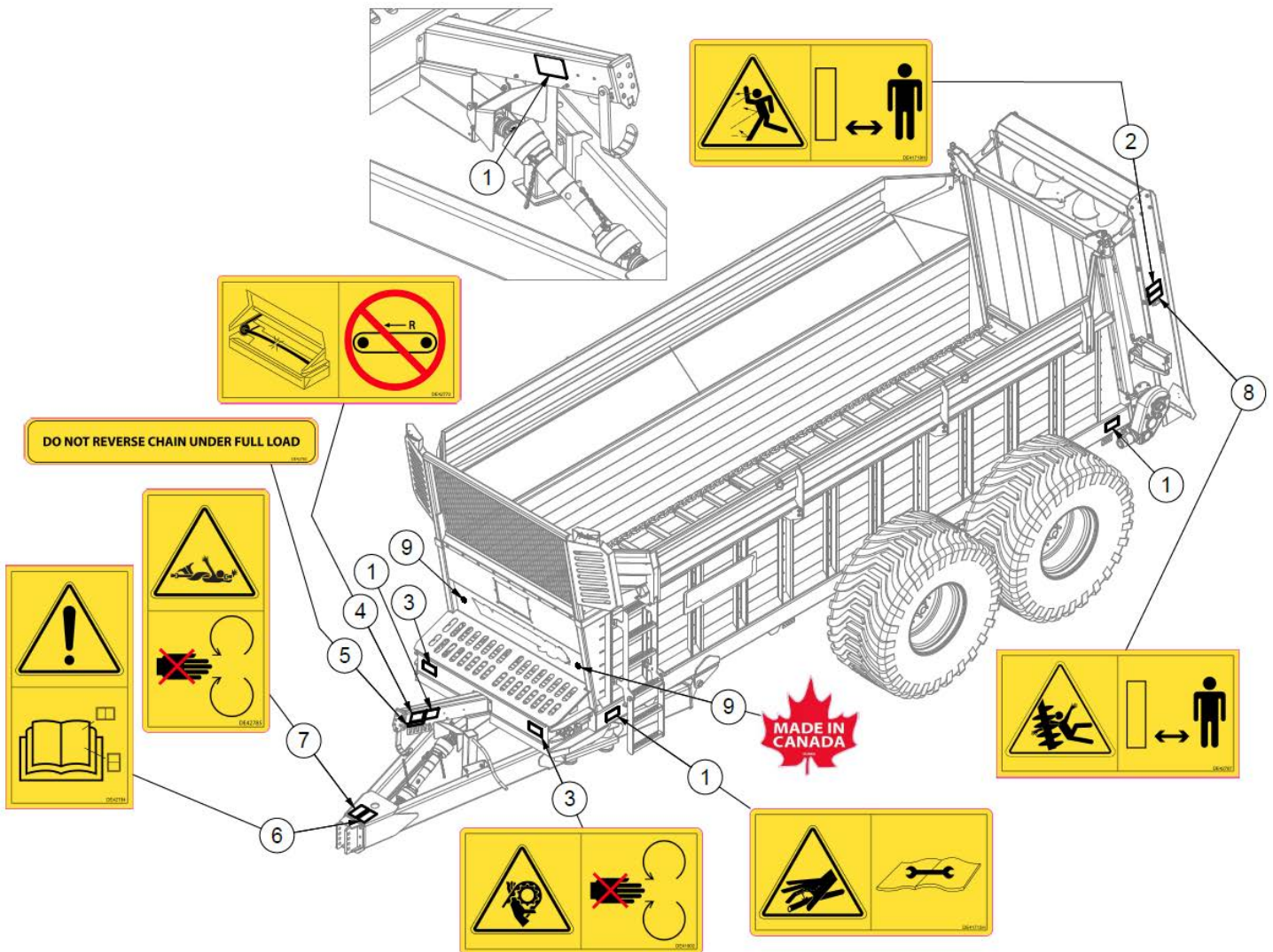


Item - I

Part No: DE42782 - Reversing apron chain while spreader is fully loaded will cause front apron shaft breakage.



## ISO Safety Decal Locations



ITEM	QTY	PART NUMBER	DESCRIPTION
1	6	DE41713H	ISO Decal - High Pressure Fluid Horizontal
2	2	DE41718H	ISO Decal - Thrown Object Horizontal
3	2	DE41902	ISO Decal - Chain Entanglement
4	1	DE42772	ISO Decal - Nitro Reverse Chain
5	1	DE42783	Nitro Reverse Chain Text Decal
6	1	DE42784	ISO Decal - Read OM Decals Section
7	1	DE42785	ISO Decal - PTO Entanglement
8	2	DE42787	ISO Decal - Nitro Beater Entanglement
9	2	DECANADA	Decal Made In Canada

## ISO Safety Decals



Item 1: DE41713H

*Do not use hand to check for hydraulic leaks, alternatively use a piece of cardboard.*



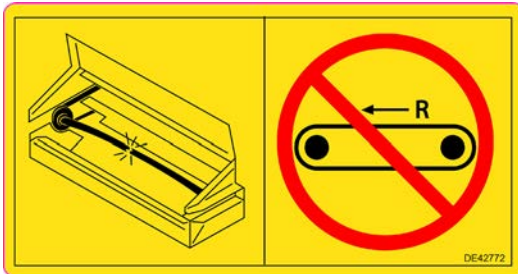
Item 2: DE41718H

*Keep clear of machine while operating. Serious injury may occur.*



Item 3: DE41902

*Keep hands clear of rotating parts while machine running. Do not operate without shielding in place. Do not wear loose clothing while operating.*



Item 4: DE42772

*Reversing apron chain while spreader is fully loaded will cause front apron shaft breakage.*



Item 5: DE42783



Item 6: DE42784

*Read Operator's manual decal section to understand safety decals.*



Item 7: DE42785

*Do not use hand to check for hydraulic leaks, alternatively use a piece of cardboard.*

Item 8: DE42787

*Stand clear of rotating beaters to avoid entanglement. Serious injury or death hazard.*



Item 9: DECANADA

*Manufacturer's country of origin.*

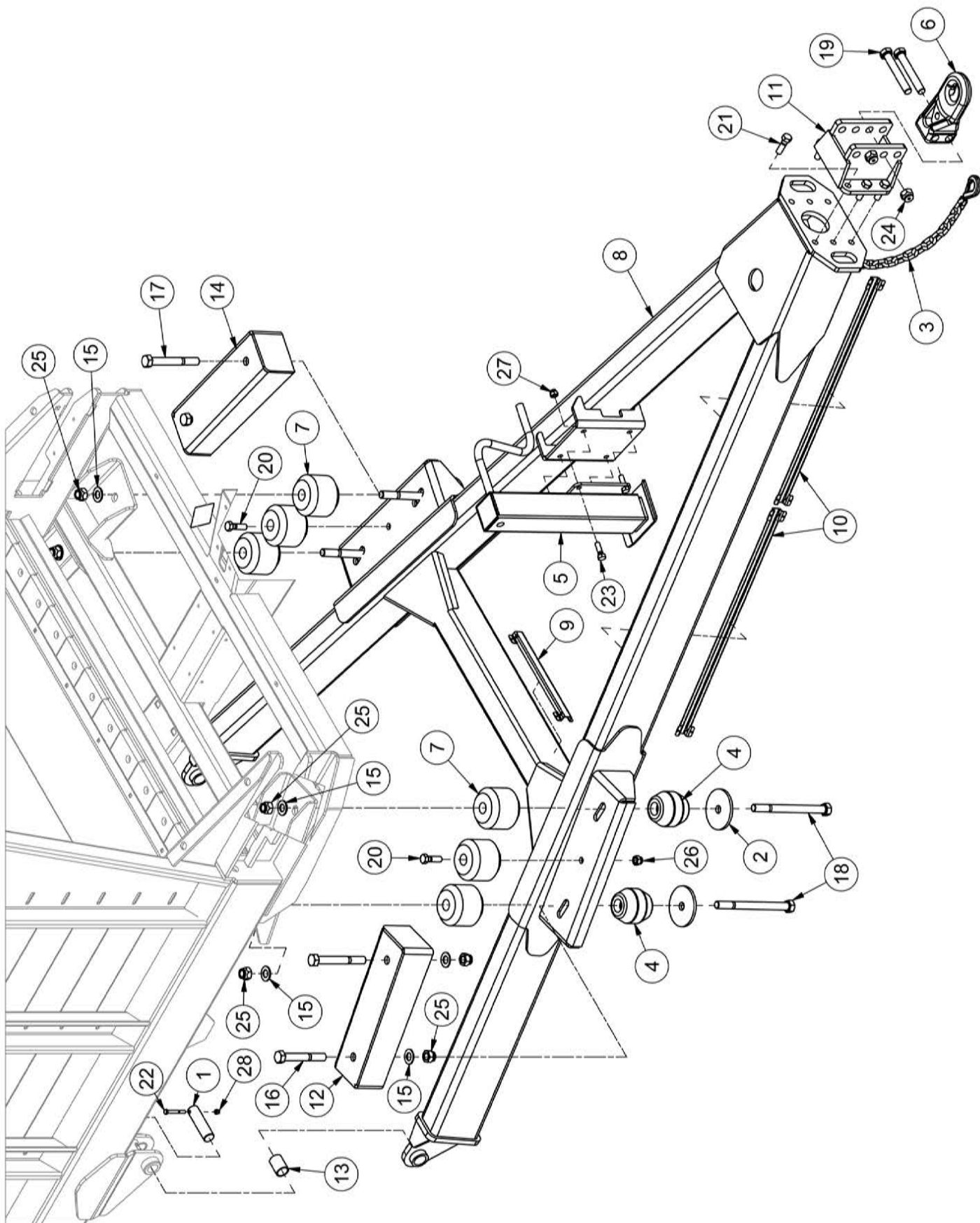


## Section 2 - Parts Breakdowns & Lists

*Illustrations may differ slightly from actual machine.*



# Tongue

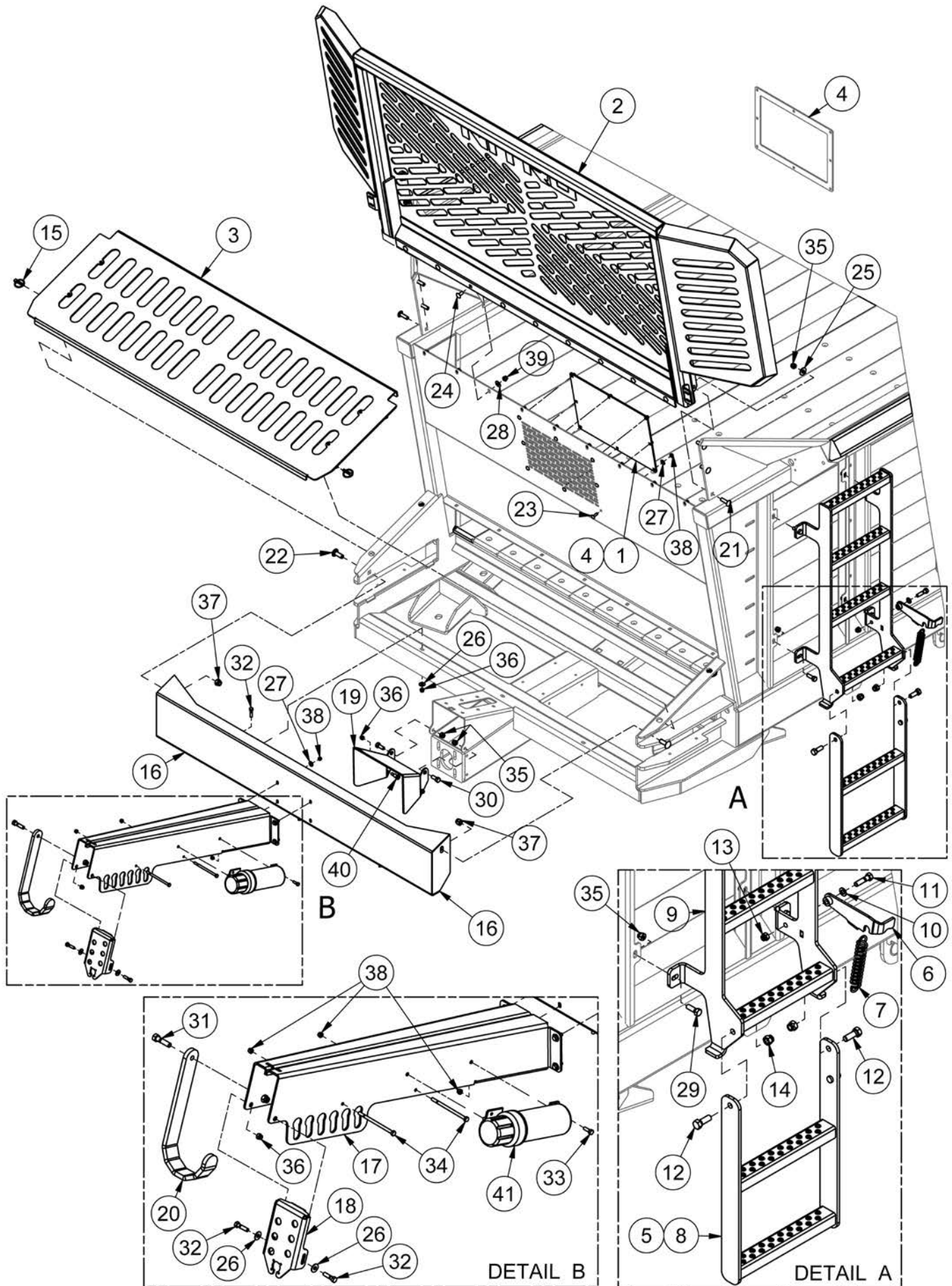




## Tongue

ITEM	QTY	PART NUMBER	DESCRIPTION	NOTE
1	2	700-470	Tongue Pivot Pin	
2	4	700-473	Pull Washer	Optional
3	1	25262	Safety Chain 20000 # 60"	
4	4	30823	Small Rubber Spring - 55 Durometer	Optional
5	1	30850	Jack	
6	1	32853	Cat.4 Hitch Base	<a href="#">Pg.3-2</a> for Hitch Options
7	6	33206	Large Rubber Spring - 65 Durometer	Optional
8	1	35450	Tongue	
9	1	43111	Short Wire Guard	
10	2	43112	Long Wire Guard	
11	1	35451	Pull Plate	
12	1	37504	Right Suspension Spacer	Standard
13	2	37845	Polygon 1.75 OD x1.52 ID x2.38 LG	
14	1	41569	Left Suspension Spacer	Standard
15	8	FW 1.0	Flatwasher - 1" Zinc Plated USS	Standard
16	2	HB1-8X7Z5	Hex Bolt 1-8x7 Grade 5 Zinc Plated Hex Cap Screw	
17	2	HB1-8X8Z5	Hex Bolt 1-8x8 Grade 5 Zinc Plated Hex Cap Screw	Standard
18	4	HB1-8X12Z5	Hex Bolt 1-8x12 Grade 5 Zinc Plated Hex Cap Screw	Optional
19	2	HB1-14X7YZ8	Hex Bolt 1-14x7 Grade 8 Zinc Hex Cap Screw	
20	2	HB3/4-10X2.5Z5	Hex Bolt 3/4-10x2 1/2 Grade 5 Zinc Plated Hex Cap Screw	Optional
21	6	HB3/4-16X2.5Z5	Hex Bolt 3/4-16x2 1/2 Grade 5 Zinc Plated Hex Cap Screw	
22	2	HB3/8-16X3Z5	Hex Bolt 3/8-16x3 Grade 5 Zinc Plated Hex Cap Screw	
23	4	HB5/8-11X2Z5	Hex Bolt 5/8-11x2 Grade 5 Zinc Plated Hex Cap Screw	
24	2	LN1-14NFZ8	1-14 Gr.8 Zinc Nylon Lock Nut	
25	8	LN1-8NCZ5	LN 1-8 Zinc Plated Nylon Insert Lock Nut	Standard
26	2	LN3/4-10NCZ5	LN 3/4-10 Zinc Plated Nylon Insert Lock Nut	Optional
27	4	LN5/8-11NCZ5	LN 5/8-11 Zinc Plated Nylon Insert Lock Nut	
28	2	LN3/8-16NCZ5	LN 3/8-16 Zinc Plated Nylon Insert Lock Nut	

# Front Components

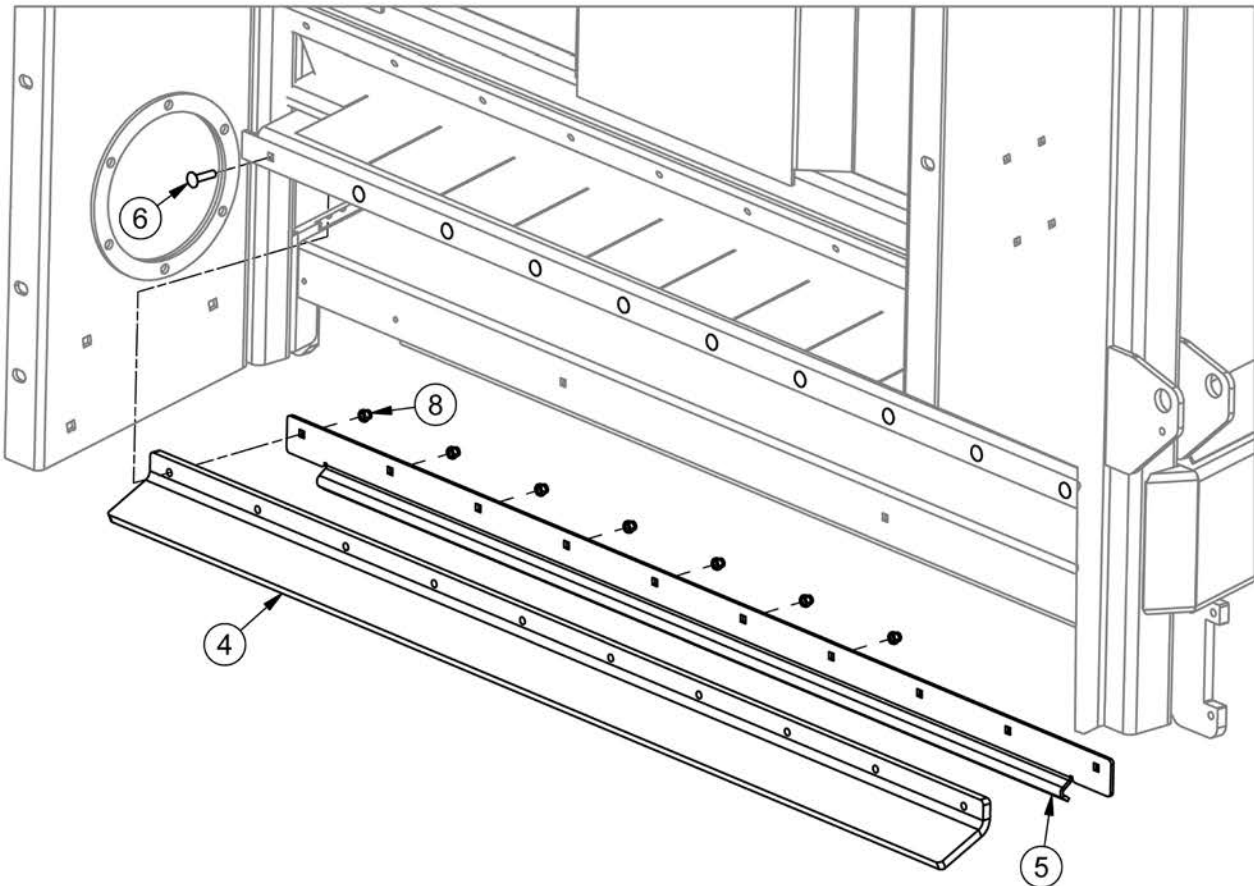
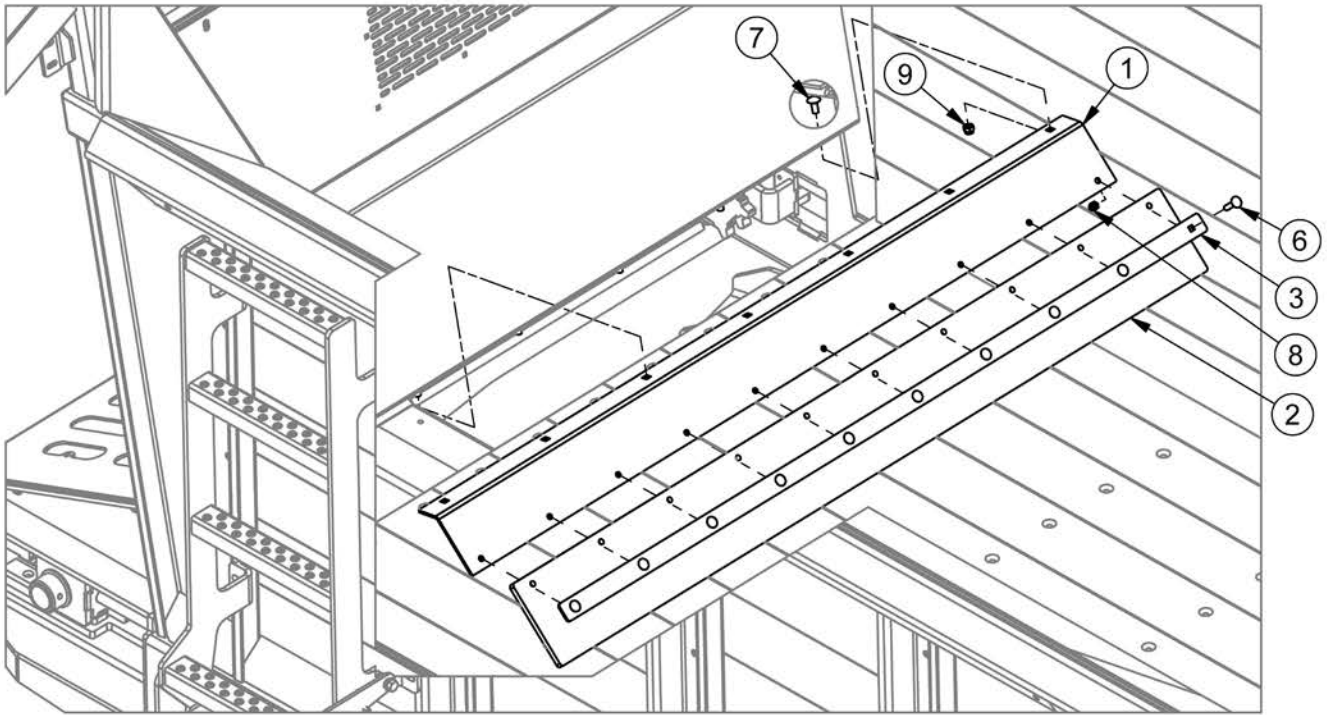


## Front Components

ITEM	QTY	PART NUMBER	DESCRIPTION	NOTE
1	1	700-167	Window Cover Plate	
2	1	700-500	Front Stone Shield	
3	1	700-601	Front Cover	
4	1	700-618	Window	Up to SN 20NS301
5	1	700-607	Large Ladder	Incl. Items 6-14
6	1	35389	Ladder Latch	
7	1	700-127	Spring	
8	1	700-608	Ladder Bottom Section	
9	1	700-609	Upper Ladder Section	
10	1	FW 1/2	Flatwasher - 1/2" Zinc Plated USS	
11	1	HB1/2-13X2Z5	Hex Bolt 1/2-13x2 Grade 5 Zinc Plated Hex Cap Screw	
12	2	HB5/8-11X1.75Z5	Hex Bolt 5/8-11x1 3/4 Grade 5 Zinc Plated Hex Cap Screw	
13	1	LN1/2-13NCZ5	LN 1/2-13 Zinc Plated Nylon Insert Lock Nut	
14	2	LN5/8-11NCZ5	LN 5/8-11 Zinc Plated Nylon Insert Lock Nut	
15	4	28940	.375 Lynch Pin	
16	1	31127	Front Shield	
17	1	35422	Hose Extension Bracket	
18	1	35425	Hose Mount	
19	1	35430	Shield Mount	
20	1	35754	PTO Holder	
21	6	CB1/2-13X1.75CZ5	Carriage Bolt - 1/2-13 x 1 3/4" Grade 5 Zinc	
22	2	CB5/8-11X1.75CZ5	Carriage Bolt - 5/8-11 x 1 3/4" Grade 5 Zinc	
23	8	CB5/16-18X1CZ5	Carriage Bolt - 5/16-18 x 1" Grade 5 Zinc	
24	9	CB7/16-14X1CZ5	Carriage Bolt - 7/16-14 x 1" Grade 5 Zinc	
25	7	FW 1/2	Flatwasher - 1/2" Zinc Plated USS	
26	5	FW 3/8	Flatwasher - 3/8" Zinc Plated USS	
27	16	FW 5/16	Flatwasher - 5/16" Zinc Plated USS	
28	9	FW 7/16	Flatwasher - 7/16" Zinc Plated USS	
29	4	HB1/2-13X1.5Z5	Hex Bolt 1/2-13x1 1/2 Grade 5 Zinc Plated Hex Cap Screw	
30	2	HB1/2-13X1.25Z5	Hex Bolt 1/2-13x1 1/4 Grade 5 Zinc Plated Hex Cap Screw	
31	6	HB1/2-13X2Z5	Hex Bolt 1/2-13x2 Grade 5 Zinc Plated Hex Cap Screw	
32	5	HB3/8-16X1.5Z5	Hex Bolt 3/8-16x1 1/2 Grade 5 Zinc Plated Hex Cap Screw	
33	6	HB5/16-18X1Z5	Hex Bolt 5/16-18x1 Grade 5 Zinc Plated Hex Cap Screw	
34	2	HB5/16-18X5.5Z5	Hex Bolt 5/16-18x5 1/2 Grade 5 Zinc Plated Hex Cap Screw	
35	14	LN1/2-13NCZ5	LN 1/2-13 Zinc Plated Nylon Insert Lock Nut	
36	7	LN3/8-16NCZ5	LN 3/8-16 Zinc Plated Nylon Insert Lock Nut	
37	4	LN5/8-11NCZ5	LN 5/8-11 Zinc Plated Nylon Insert Lock Nut	
38	16	LN5/16-18NCZ5	LN 5/16-18 Zinc Plated Nylon Insert Lock Nut	
39	9	LN7/16-14NCZ5	LN 7/16-14 Zinc Plated Nylon Insert Lock Nut	
40	2	SHSS1/2X3/4X3/8-16Z	Socket Head Shoulder Screws - 1/2 Shldr x 3/4 x 3/8-16	
41	1	TL5X2-201-111	Operator's Manual Holder	



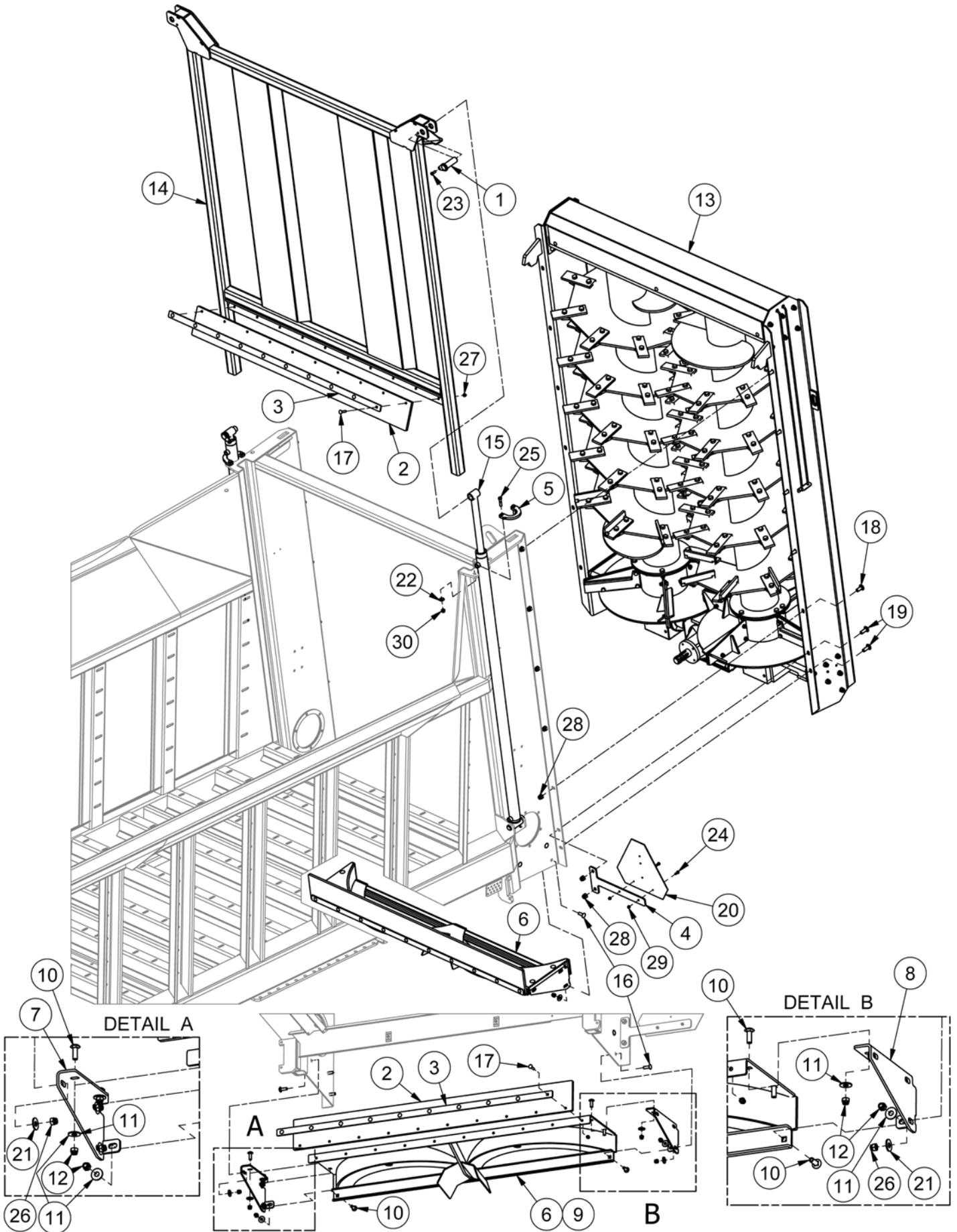
# Scrapers



## Scrapers

ITEM	QTY	PART NUMBER	DESCRIPTION	NOTE
1	1	700-054	Front Rubber Seal Mount	
2	2	700-101	2 Ply Rubber Belt-V750 (7.0x66.38)	
3	2	700-103	Rubber Hold Down	
4	1	43813	Rubber Endgate Seal	Standard from SN21NS301
5	1	47566	Wiper Guide	Standard from SN21NS301
6	20	CB3/8-16X1.5CZ5	Carriage Bolt - 3/8-16 x 1 1/2" Grade 5 Zinc	
7	7	CB7/16-14X1CZ5	Carriage Bolt - 7/16-14 x 1" Grade 5 Zinc	
8	20	LN3/8-16NCZ5	LN 3/8-16 Zinc Plated Nylon Insert Lock Nut	
9	7	LN7/16-14NCZ5	LN 7/16-14 Zinc Plated Nylon Insert Lock Nut	

# Rear Components

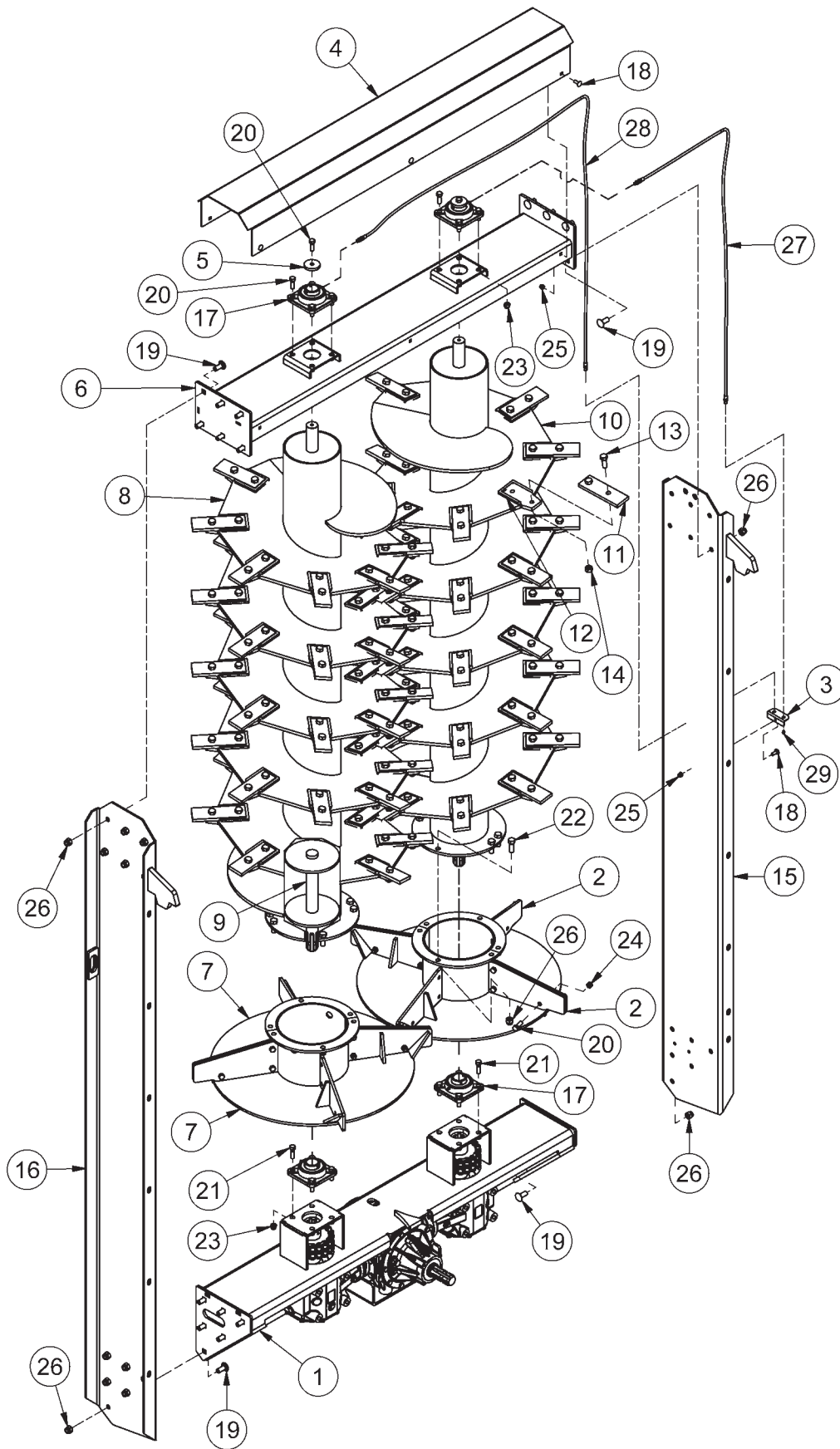


## Rear Components

ITEM	QTY	PART NUMBER	DESCRIPTION	NOTE
1	2	400-601	Pin	
2	2	700-101	Rubber Endgate Seal	
3	2	700-103	Tubber Hold Down	
4	1	700-108	SMV Sign Mount	
5	2	700-142	Endgate Cylinder Support	
6	1	700-610	Spinner Shroud	Items 7-12
7	1	46075	Right Spinner Pan Mount	
8	1	46076	Left Spinner Pan Mount	
9	1	46088	Spinner Pan	
10	6	CB 1/2-13 X1.5 Z5	Carriage Bolt - 1/2-13 x 1 1/2" Grade 5 Zinc	
11	6	FW 1/2	Flatwasher - 1/2" Zinc Plated USS	
12	6	LN 1/2 N	LN 1/2-13 Zinc Plated Nylon Insert Lock Nut	
13	1	700-616	750 Beater Assembly	See <a href="#">Pg.2-10</a>
14	1	700-900	Endgate	
15	2	31733	Hydraulic Cylinder	
16	6	CB 1/2-13 X1.5 Z5	Carriage Bolt - 1/2-13 x 1 1/2" Grade 5 Zinc	
17	20	CB 3/8-16 X1.75 Z5	Carriage Bolt - 3/8-16 x 1 3/4" Grade 5 Zinc	
18	11	CB 5/8-11 X1.5 Z5	Carriage Bolt - 5/8-11 x 1 1/2" Grade 5 Zinc	
19	2	CB 5/8-11 X1.75 Z5	Carriage Bolt - 5/8-11 x 1 3/4" Grade 5 Zinc	
20	1	DESMV	Slow Moving Vehicle Sign	
21	6	FW 1/2	Flatwasher - 1/2" Zinc Plated USS	
22	4	FW 7/16	Flatwasher - 7/16" Zinc Plated USS	
23	4	HB 3/8-16X1 Z5	Hex Bolt 3/8-16x1 Grade 5 Zinc Plated Hex Cap Screw	
24	2	HB 5/16-18X0.75 Z5	Hex Bolt 5/16-18x3/4 Grade 5 Zinc Plated Hex Cap Screw	
25	4	HB 7/16-14X2 Z5	Hex Bolt 7/16-14x2 Grade 5 Zinc Plated Hex Cap Screw	
26	10	LN 1/2 N	LN 1/2-13 Zinc Plated Nylon Insert Lock Nut	
27	20	LN 3/8 N	LN 3/8-16 Zinc Plated Nylon Insert Lock Nut	
28	13	LN 5/8 N	LN 5/8-11 Zinc Plated Nylon Insert Lock Nut	
29	2	LN 5/16 N	LN 5/16-18 Zinc Plated Nylon Insert Lock Nut	
30	4	LN 7/16 N	LN 7/16-14 Zinc Plated Nylon Insert Lock Nut	



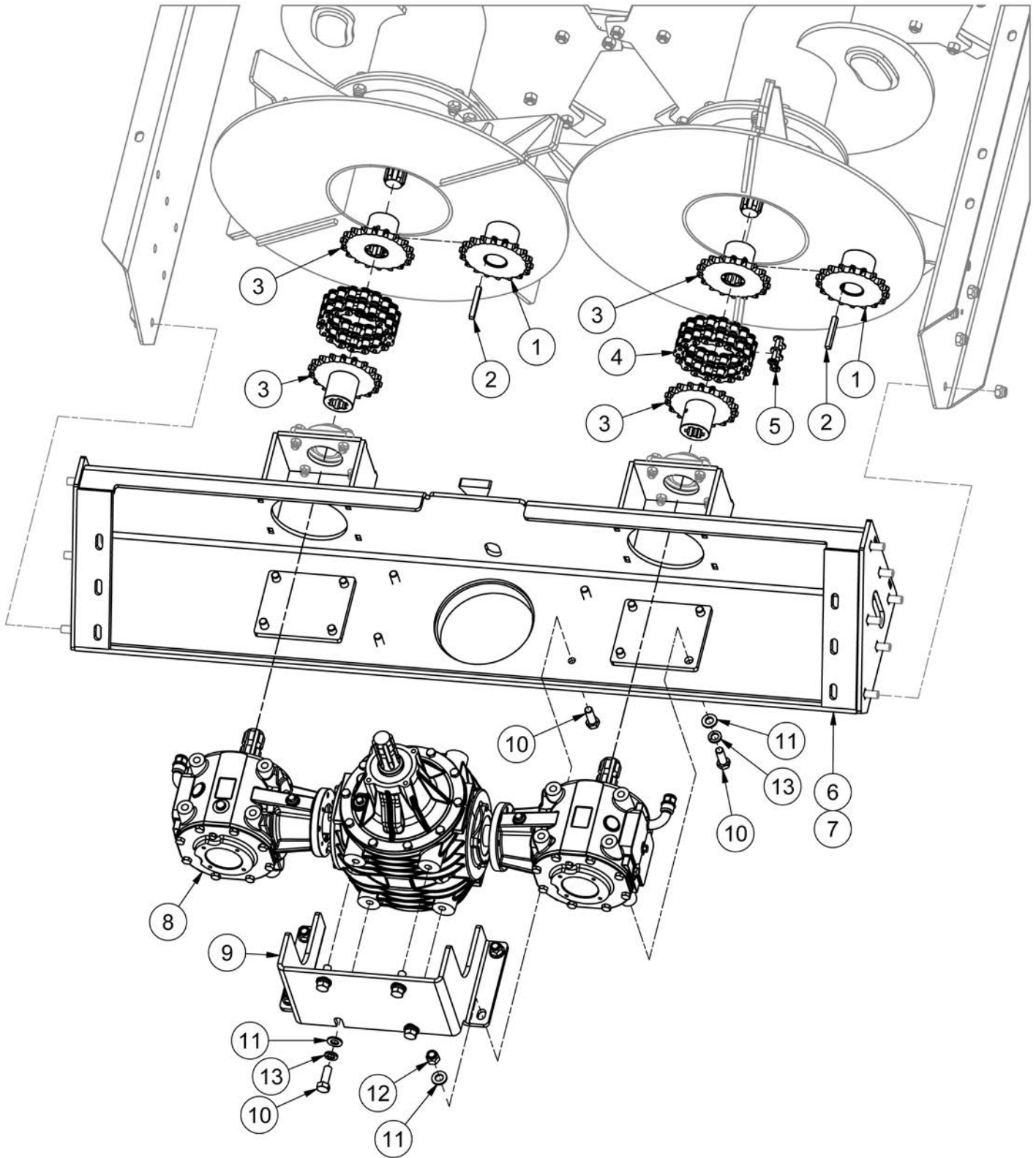
# Beaters



## Beaters

ITEM	QTY	PART NUMBER	DESCRIPTION	NOTE
1	1	35803	Large Rear Drive Assembly	See <a href="#">Pg.2-12</a>
2	2	36967	Left Beater Spinner	
3	1	37849	Nitro Grease Line Mount	
4	1	700-105	Top Beater Cover	
5	2	700-157	Load Bearing Washer	
6	1	700-400	Upper Cross Beam	
7	2	700-617	Right Beater Spinner	
8	1	700-626	Right Beater	Incl. Items 8,10-13
9	1	43876	Lower Shaft Assembly	Qty=1 Beater
10	1	700-627	Left Beater	Incl. Items 8,10-13
11	40	400-438	Beater Paddle	Qty=1 Beater
12	40	47476	Paddle Retainer	Qty=1 Beater
13	80	HB5/8-11X1.75Z5	Hex Bolt 5/8-11x1 3/4 Grade 5 Zinc Plated Hex Cap Screw	Qty=1 Beater
14	80	LN5/8-11CCZA	Center Lock Nut 5/8"-11 Grade A Zinc Plated	Qty=1 Beater
15	1	700-628	Left Beater Mount	
16	1	700-629	Right Beater Mount	
17	4	BEA UCF209-28R3	Flange Bearing -Triple Seal- Ductile Iron	
18	7	CB3/8-16X1CZ5	Carriage Bolt - 3/8-16 x 1" Grade 5 Zinc	
19	24	CB5/8-11X1.5CZ5	Carriage Bolt - 5/8-11 x 1 1/2" Grade 5 Zinc	
20	22	HB1/2-13X1.5Z5	Hex Bolt 1/2-13x1 1/2 Grade 5 Zinc Plated Hex Cap Screw	
21	8	HB1/2-13X1.75Z5	Hex Bolt 1/2-13x1 3/4 Grade 5 Zinc Plated Hex Cap Screw	
22	12	HB5/8-11X1.75Z5	Hex Bolt 5/8-11x1 3/4 Grade 5 Zinc Plated Hex Cap Screw	
23	16	LN1/2-13NCZ5	LN 1/2-13 Zinc Plated Nylon Insert Lock Nut	
24	12	LN1/2-13TCZ5	LN1/2-13 Gr.C Zinc Top Lock Nut	
25	7	LN3/8-16NCZ5	LN 3/8-16 Zinc Plated Nylon Insert Lock Nut	
26	36	LN5/8-11NCZ5	LN 5/8-11 Zinc Plated Nylon Insert Lock Nut	
27	1	36623	Hose - HH67 - 2R7(2MPX,2GKCY) HCL 67"	
28	1	36624	Hose - HH99 - 2R7(2MPX,2GKCY) HCL 99"	
29	2	GR 1/4 X 28	Grease Fitting 1/4-28 Straight Standard Zerk	

# Lower Beater Assembly

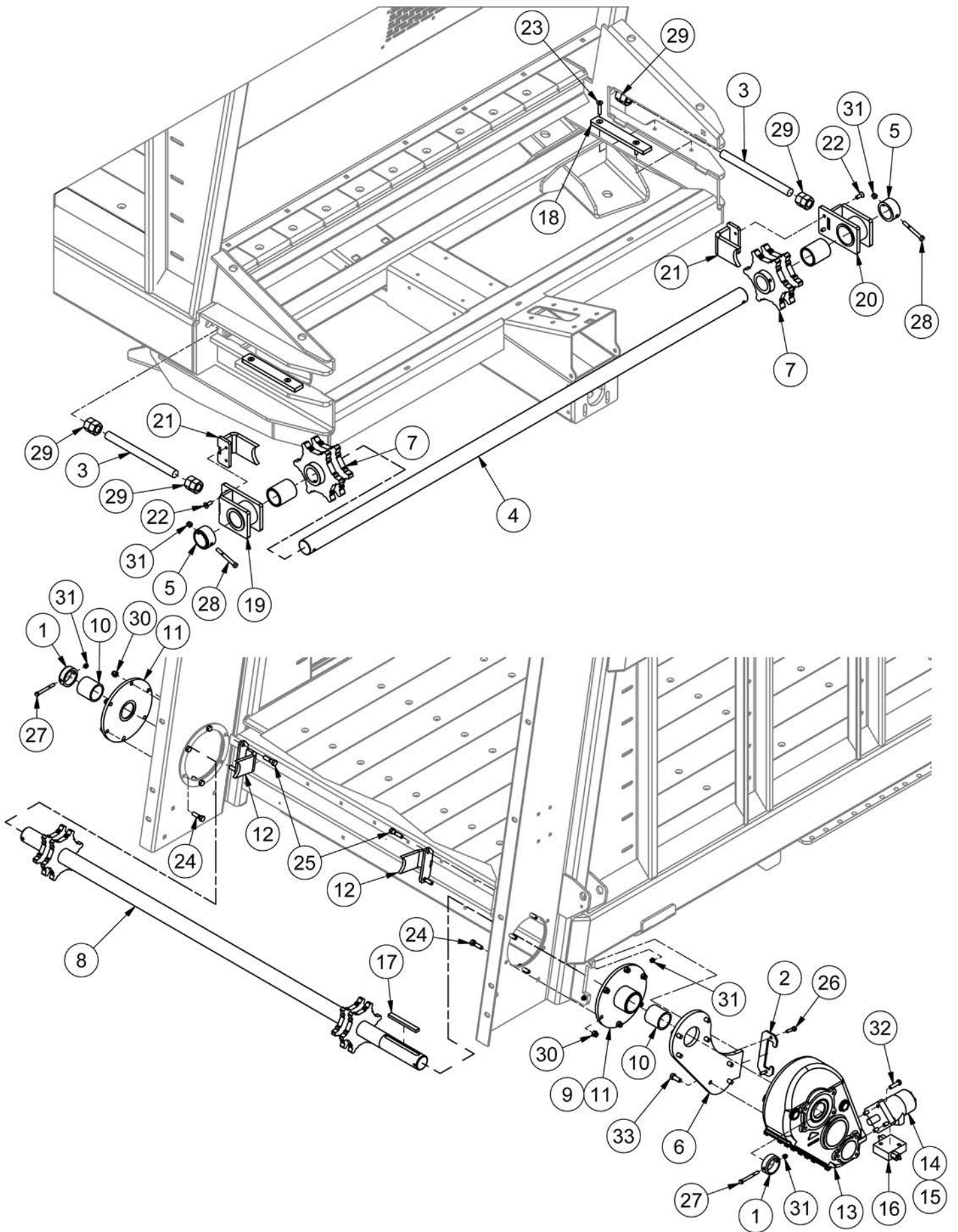


## Lower Beater Assembly

ITEM	QTY	PART NUMBER	DESCRIPTION	NOTE
1	2	700-641	Keywayed Sprocket	Old Keywayed Style
2	2	30807	Chain Sprocket Key	Old Keywayed Style
3	4	700-645	6 Spline Sprocket	Current
4	2	31518	#80 Coupling Chain	
5	2	31516	#80 Chain Connector	
6	1	35803	Large Rear Drive Assembly	Incl. Items 7-13
7	1	700-920	Bottom Cross Beam	
8	1	30846	Beater Gearbox	See <a href="#">Pg.6-1</a>
9	1	700-646	Center Gearbox Mount	
10	16	M16X45X2	Metric Bolt	
11	16	FWMM16	Flatwasher - M16 Black DIN6916 Struct.	
12	4	LN16-2CZ5	Locknut - M16-2 Zinc Plated Nylon Insert Lock Nut	
13	12	LW 16MM	Lockwasher Metric 16mm	



# Apron Drive

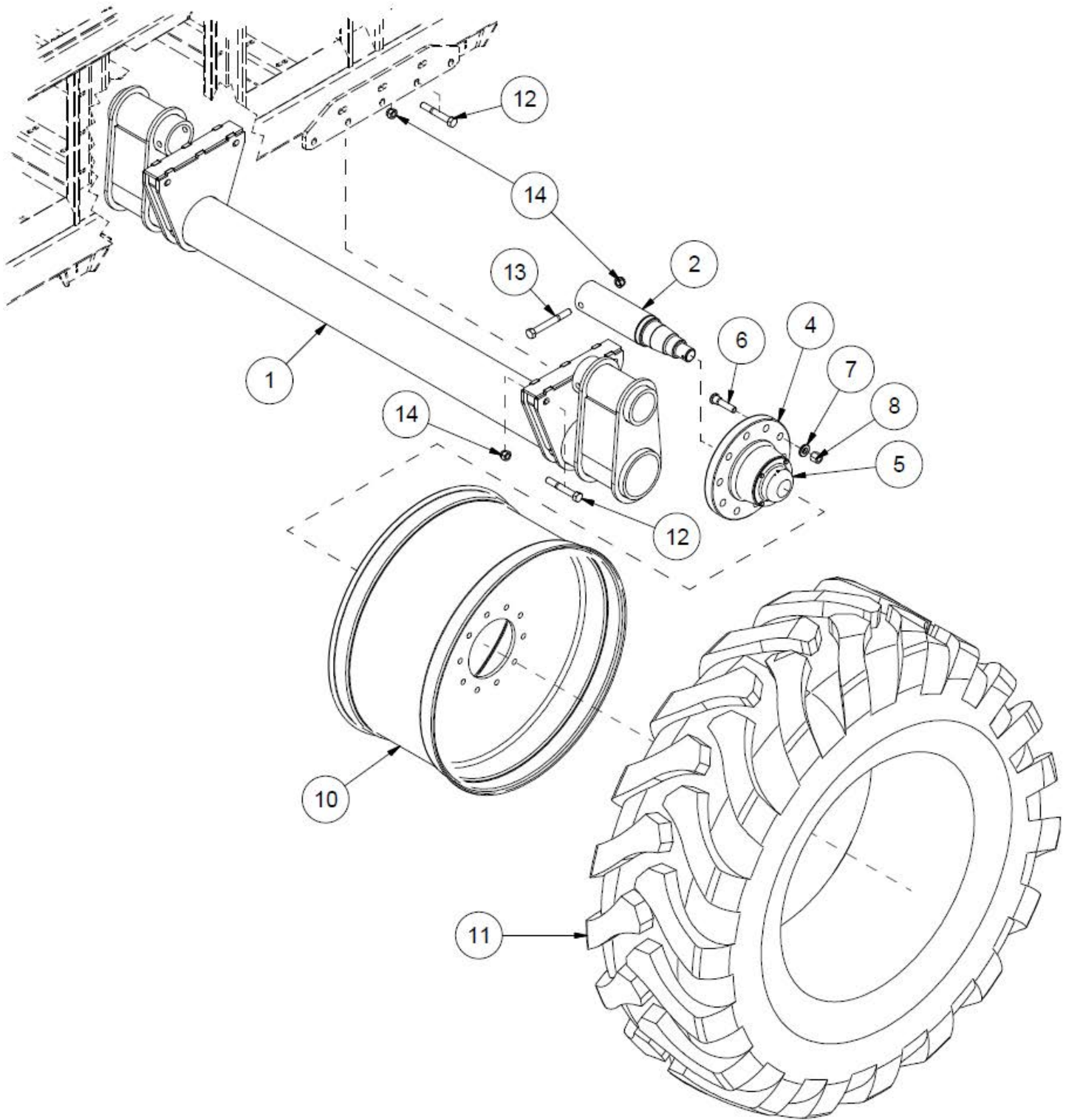


## Apron Drive

ITEM	QTY	PART NUMBER	DESCRIPTION	NOTE
1	2	450-371	Bushing - Apron Shaft	
2	1	450-433	Torque Arm Retainer	
3	2	700-040	Threaded Rod Tightener	
4	1	700-050	Shaft Apron Front	
5	2	700-051	Apron Shaft Bushing	
6	1	700-444	Gearbox Torque Arm	
7	2	700-605	Apron Sprocket	
8	1	700-636	Rear Apron Drive Shaft	
9	2	700-637	bearing plate c/w bushing and zerk	
10	1	700-431	Apron Bushing	
11	1	700-638	Bearing Housing	
12	2	700-639	Apron Shaft Scraper	
13	1	30843	Gear Box - 725, 750, 950,1050 Spreaders (RT650-60-25)	See <a href="#">Pg.6-3</a>
14	1	30854	Hydraulic Motor - Spreaders	
15	1	40718	Hydraulic Motor - Speed Sensor & Relief	Req. Scale Option
16	1	30856	Hydraulic Cross Port Relief for Motor - Spreaders	
17	1	30859	Metric Key	
18	2	31123	Tightener Guide	
19	1	43730	Tensioner Bushing Housing	
20	1	45094	Left Front Apron Shaft Housing	
21	2	45422	750 Front Scraper ASM	
22	4	FHSCS3/8-16X1	Hex Bolt - 3/8"-16 x 1" Flat Socket Cap Screw	
23	4	FHSCS3/8-16X1.75	Hex Bolt - 3/8"-16 x 1 3/4" Flat Socket Cap Screw	
24	8	HB1/2-13X1.75Z5	Hex Bolt 1/2-13x1 3/4 Grade 5 Zinc Plated Hex Cap Screw	
25	4	HB1/2-13X2Z5	Hex Bolt 1/2-13x2 Grade 5 Zinc Plated Hex Cap Screw	
26	2	HB3/8-16X1.5Z5	Hex Bolt 3/8-16x1 1/2 Grade 5 Zinc Plated Hex Cap Screw	
27	2	HB3/8-16X3.5Z5	Hex Bolt 3/8-16x3 1/2 Grade 5 Zinc Plated Hex Cap Screw	
28	2	HB3/8-16X3.25Z5	Hex Bolt 3/8-16x3 1/4 Grade 5 Zinc Plated Hex Cap Screw	
29	8	HN1-8CZ5	Hex Nut 1"-8 Grade 5 Zinc Plated Finished	
30	12	LN1/2-13NCZ5	LN 1/2-13 Zinc Plated Nylon Insert Lock Nut	
31	10	LN3/8-16NCZ5	LN 3/8-16 Zinc Plated Nylon Insert Lock Nut	
32	4	M12X45X1.75	Metric Bolt	
33	7	M14X35X2	Metric Bolt	

# Single Axle

Used until serial no. 14NS301





## Single Axle

Used until serial no. **14NS301**

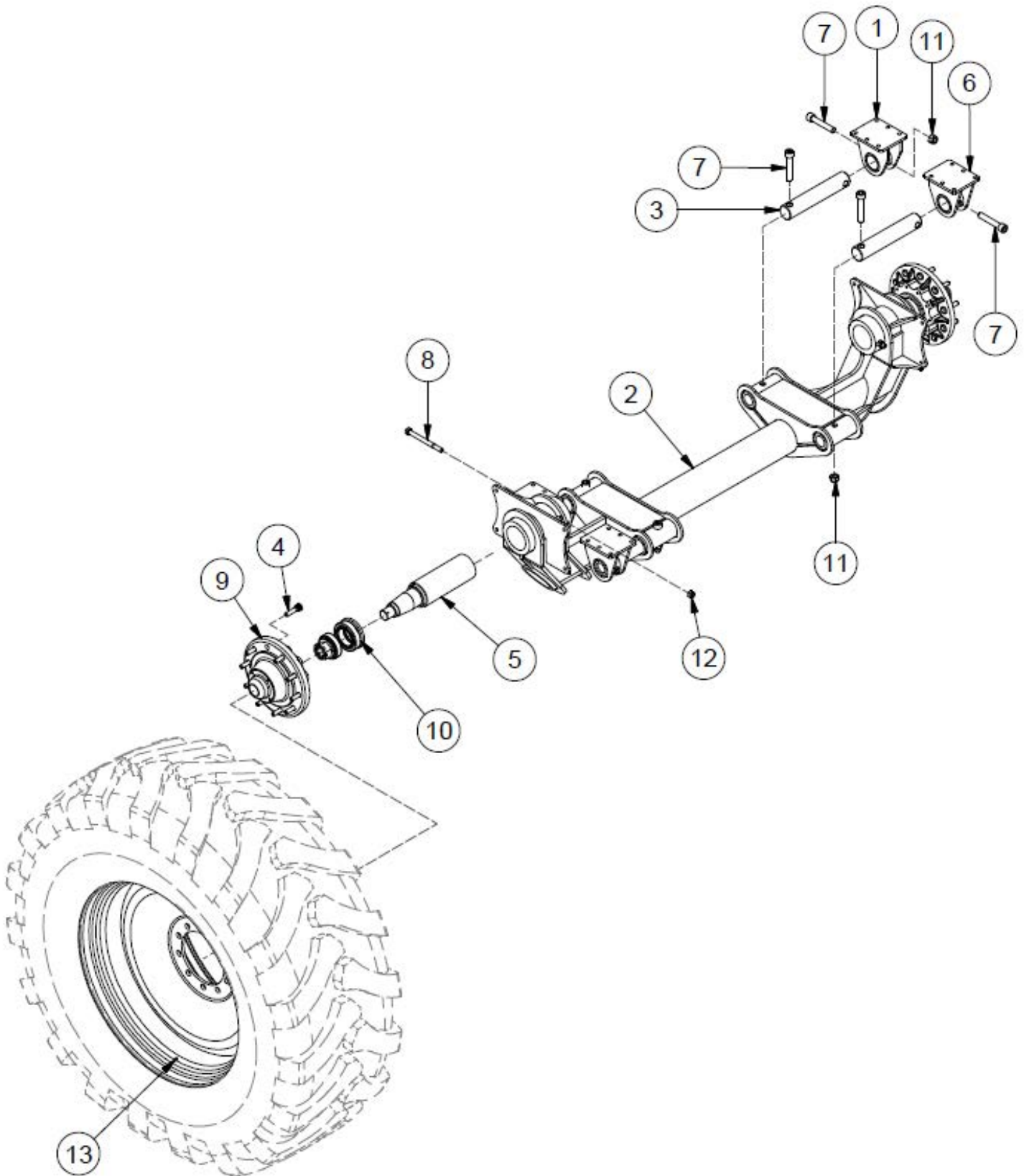
ITEM	QTY	PART NUMBER	DESCRIPTION
1	1	700-1100	Offset Axle
2	2	700-485	20000lb Spindle
4	2	HUB 20000	Complete 20000lb Hub
5	2	HUB 20000-CCS	20000lb Hub Bearing & Seal Kit
6	20	31529	3/4 Wheel Stud
7	20	39600	W750 Washer
8	20	31530	3/4 Wheel Nut
9	2	700-614/700-615	Left/Right Complete Tire
10	2	700-010	Rim
11	2	700-015	Tire
12	4	HB 3/4-10X5.0 Z5	Hex Bolt - 3/4"-10 x 5" Grade 5 Zinc Plated Hex Cap Screw NC
13	2	HB 3/4-10X6.1/2 Z5	Hex Bolt - 3/4"-10 x 6 1/2" Grade 5 Zinc Plated Hex Cap Screw NC
14	6	LN 3/4 N	Locknuts - 3/4-10 Zinc Plated Nylon Insert

NITRO 750 TIRE CHART		
AXLE TYPE	PART NUMBER	TIRE SIZE
Single	WHE 710X70X42	710/70-42
Tandem	WHE 700X50X26.5	700/50-26.5

**NOTE:** Refer to Nitro Operator's Manual for wheel load capacity charts.

# Single Axle (Current)

Used after serial # 14NS301



## Single Axle (Current)

Used after serial # 14NS301

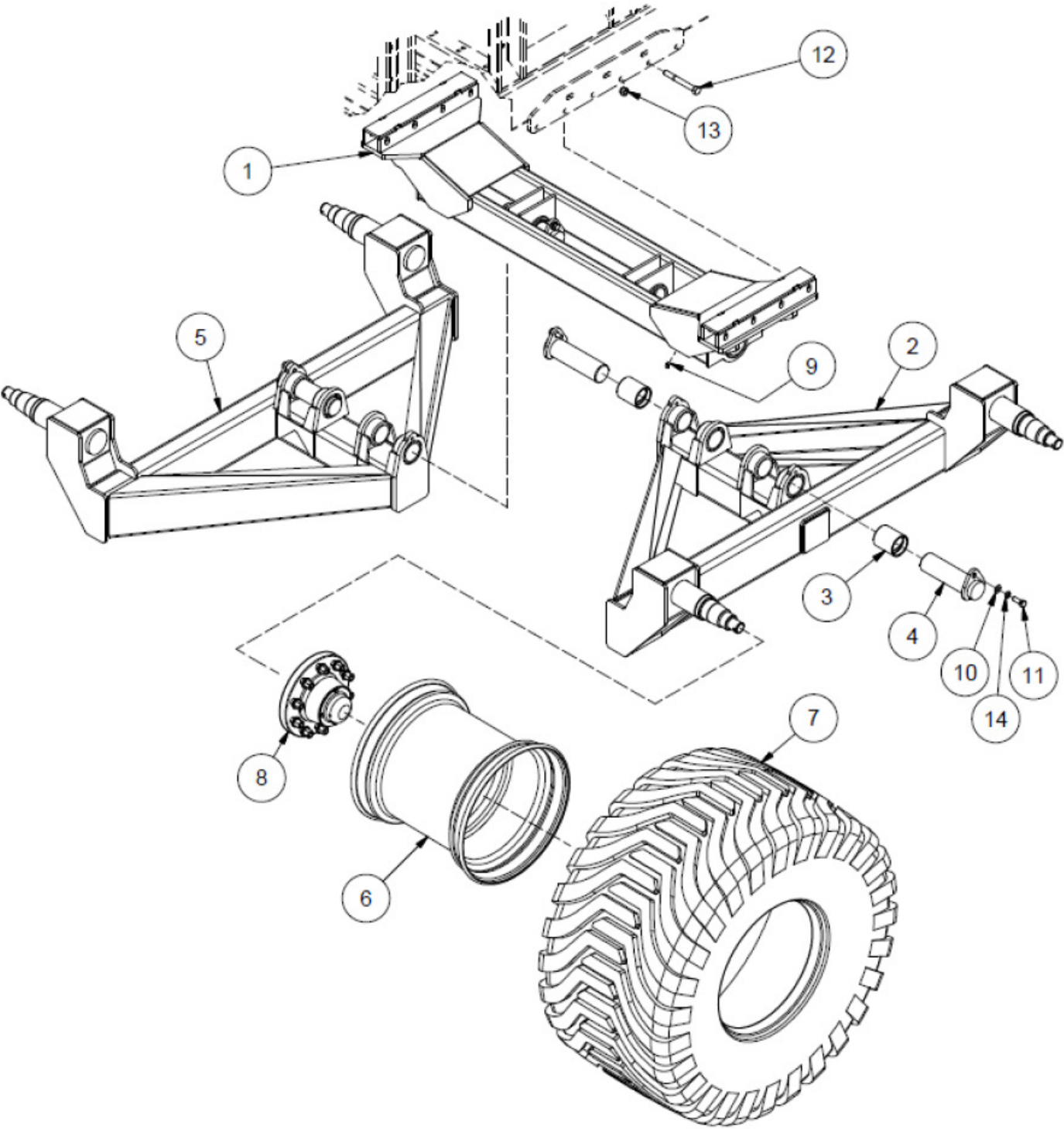
ITEM	QTY	PART NUMBER	DESCRIPTION
1	2	35237	Right Frame Mount
2	1	35810	Single Axle
3	4	36037	Axle Mount Pin
4	20	31529	Hub Bolt
5	2	SP 5.0 X 21.8	20000 Spindle for Spreader (600S- 750S) (37342) (w/ Bolt)
6	2	39303	Left Frame Mount
7	8	HB 1-8X5.1/2 Z5	Hex Bolt - 1"-8 x 5-1/2" Grade 5 Zinc Plated Hex Cap Screw
8	2	HB 3/4-10X8.1/2 Z5	Hex Bolt Plated Gr. 5 NC
9	2	HUB 20000	20000lb Hub
10	2	HUB 20000-CCS	20000lb Hub Bearing & Seal Kit
11	8	LN 1.0 N	Locknuts - 1-8 Zinc Plated Nylon Insert
12	2	LN 3/4 N	Locknuts - 3/4-10 Zinc Plated Nylon Insert
13	2	700-010	Single Axle Rim

NITRO 750 TIRE CHART		
AXLE TYPE	PART NUMBER	TIRE SIZE
Single	WHE 710X70X42	710/70-42
Tandem	WHE 700X50X26.5	700/50-26.5

**NOTE:** Refer to Nitro Operator's Manual for wheel load capacity charts.

# Tandem Axle

Used until serial # 14NS301



## Tandem Axle

Used until serial # **14NS301**

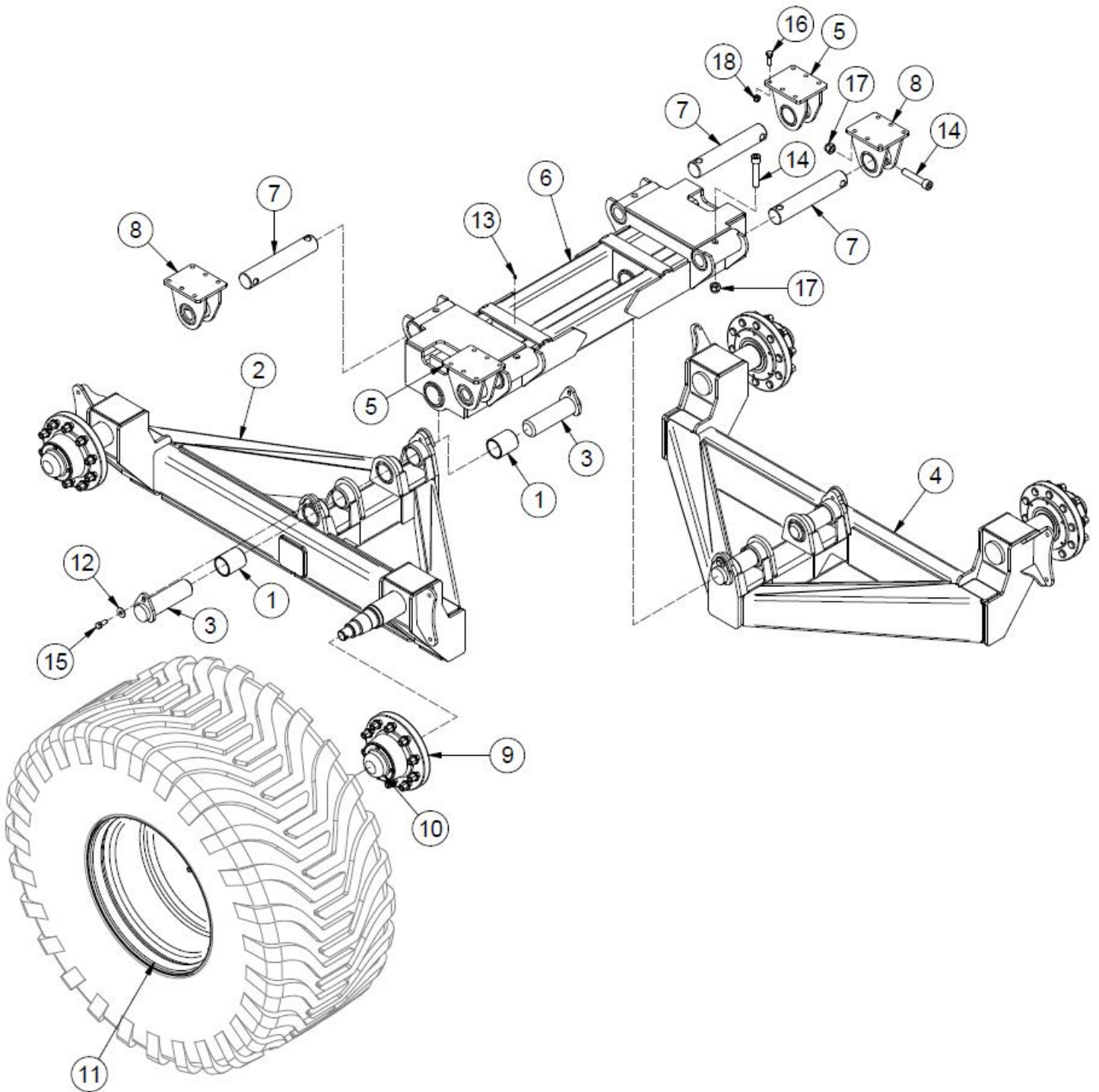
ITEM	QTY	PART NUMBER	DESCRIPTION
1	1	31137	Offset Axle
2	1	31610	Left Walking Beam
3	4	31621	Axle Bushing
4	4	31624	Axle Pivot Pin
5	1	31626	Right Walking Beam
6	4	750-374	Tandem Rim
7	4	600-820	Tandem Rim
8	4	HUB 16000	16000lb Hub
	4	HUB 16000-CCS	16000lb Bearing & Seal Kit
9	4	GRNPT 1/8	Grease Fitting 1/8 Straight
10		FW 5/8	Flatwasher - 5/8" Zinc Plated USS
11		HB 5/8-11X1.3/4 Z5	Hex Bolt - 5/8"-11 x 1-3/4" Grade 5 Zinc Plated Hex Cap Screw NC
12		HB 3/4-10X6.1/2 Z5	Hex Bolt - 3/4"-10 x 6 1/2" Grade 5 Zinc Plated Hex Cap Screw NC
13		LN 3/4 N	Locknuts - 3/4-10 Zinc Plated Nylon Insert
14		LW 5/8	Lockwasher - 5/8" Zinc Plated Medium Split

NITRO 750 TIRE CHART		
AXLE TYPE	PART NUMBER	TIRE SIZE
Single	WHE 710X70X42	710/70-42
Tandem	WHE 700X50X26.5	700/50-26.5

**NOTE:** Refer to Nitro Operator's Manual for wheel load capacity charts.

# Tandem Axle (Current)

Used after serial no. 14NS301



## Tandem Axle (Current)

Used after serial no. **14NS301**

ITEM	QTY	PART NUMBER	DESCRIPTION
1	4	31621	Axle Bushing
2	1	31610	Left Walking Beam
3	4	31624	Axle Pivot Pin
4	1	31626	Right Walking Beam
5	2	35237	Right Frame Mount
6	1	35239	Tandem Axle
7	4	36037	Axle Mount Pin
8	2	39303	Left Frame Mount
9	4	HUB 16000	16000lb Hub
10	4	HUB 16000-CCS	16000lb Bearing & Seal Kit
11	4	750-374	Tandem Rim
12	4	FW 5/8	Flatwasher - 5/8" Zinc Plated USS
13	4	GRNPT 1/4	Grease Fitting 1/4 Straight
14	8	HB 1-8X5 SHCS	Hex Bolt - 1-8 x 5 Socket Head Cap Screw
15	4	HB 5/8-11X1.5 Z5	Hex Bolt 5/8-11x1 1/2 Grade 5 Zinc Plated Hex Cap Screw
16	24	HB 5/8-11X2 Z5	Hex Bolt 5/8-11x2 Grade 5 Zinc Plated Hex Cap Screw
17	8	LN 1 N	LN 1-8 Zinc Plated Nylon Insert Lock Nut
18	24	LN 5/8 N	LN 5/8-11 Zinc Plated Nylon Insert Lock Nut

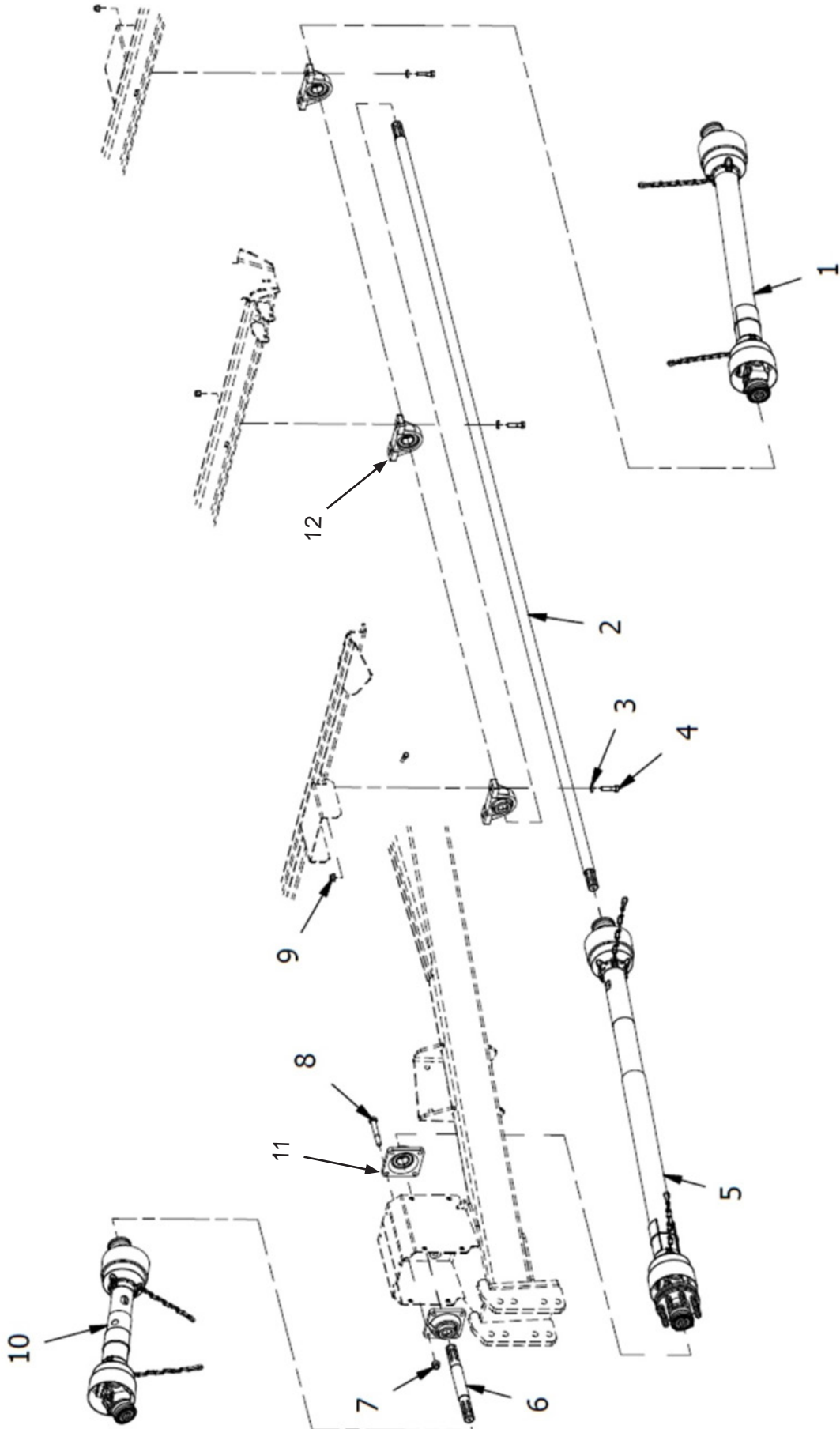
NITRO 750 TIRE CHART		
AXLE TYPE	PART NUMBER	TIRE SIZE
Single	WHE 710X70X42	710/70-42
Tandem	WHE 700X50X26.5	700/50-26.5

**NOTE:** Refer to Nitro Operator's Manual for wheel load capacity charts.



# Driveline

Used until serial no. 14NS301



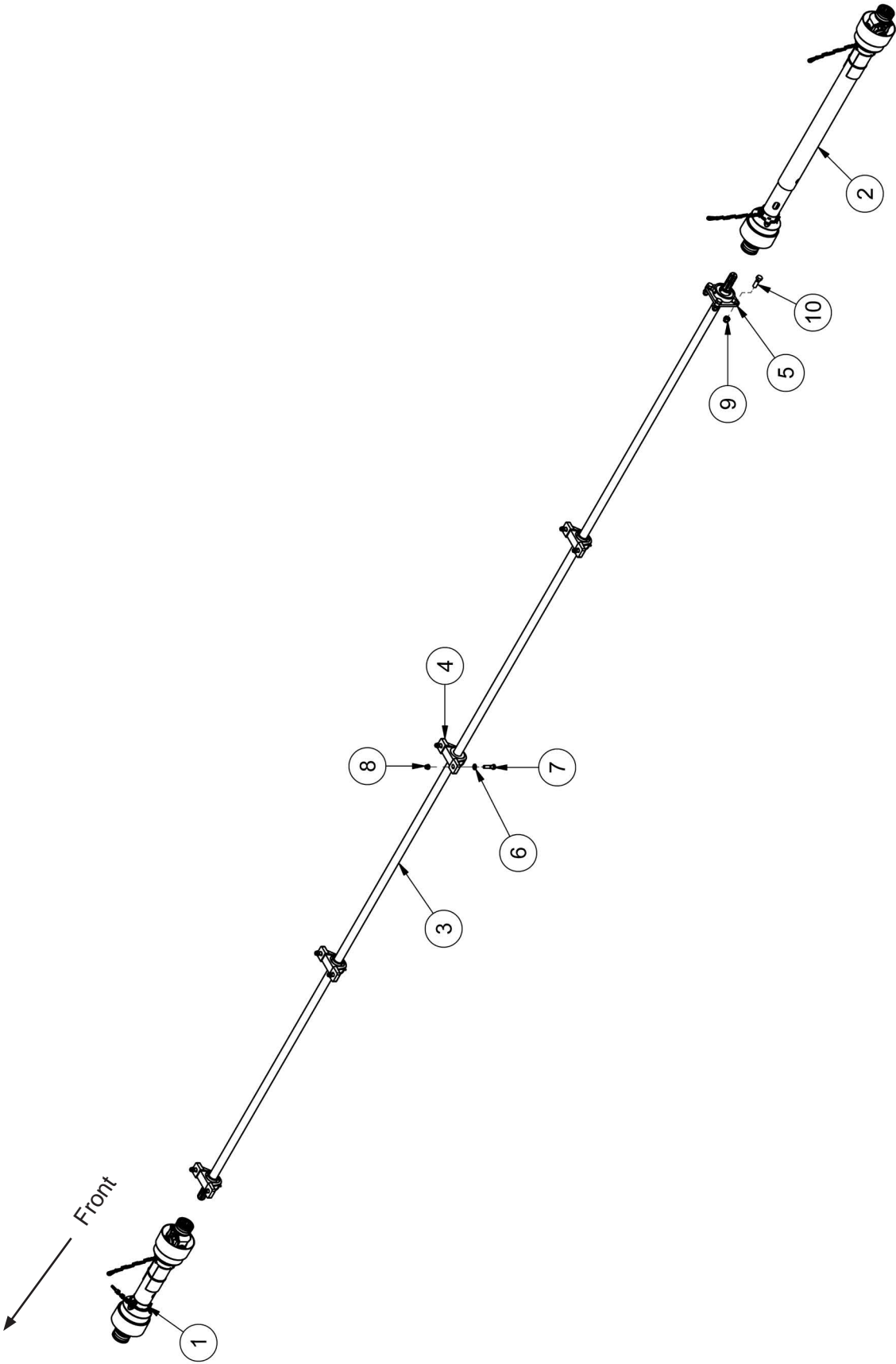
## Driveline

Used until serial no. **14NS301**

ITEM	QTY	PART NUMBER	DESCRIPTION
1	1	36638	N750 Drive Line with Over Running Clutch
2	1	46955	Splined Drive Shaft
3	6	FW 1/2	FW 1/2 Flat Washer
4	6	HB 1/2-13X2.1/2 Z5	Hex Bolt 1/2-13 x 2 1/2" Grade 5 Zinc Plated Hex Cap Screw NC
5	1	30840	Over Running Slip Clutch PTO
6	1	400-994	Splined Drive Shaft
7	4	LN 5/8 N	Locknut - 5/8-11 Zinc Plated Nylon Insert Lock Nut
8	4	HB 5/8-11X4.1/2 Z5	Hex Bolt Plated Gr. 5 N.C (80)
9	6	LN 1/2 N	Locknuts - 1/2-13 Zinc Plated Nylon Insert Lock Nut
10	1	30841	Front Drive Shaft PTO
11	4	BEA UCF208-24R3	UCF 208 Bearing
12	2	BEA UCP208-24R3	UCP 208 Bearing

# Driveline (Current)

Used after serial no. 14NS301



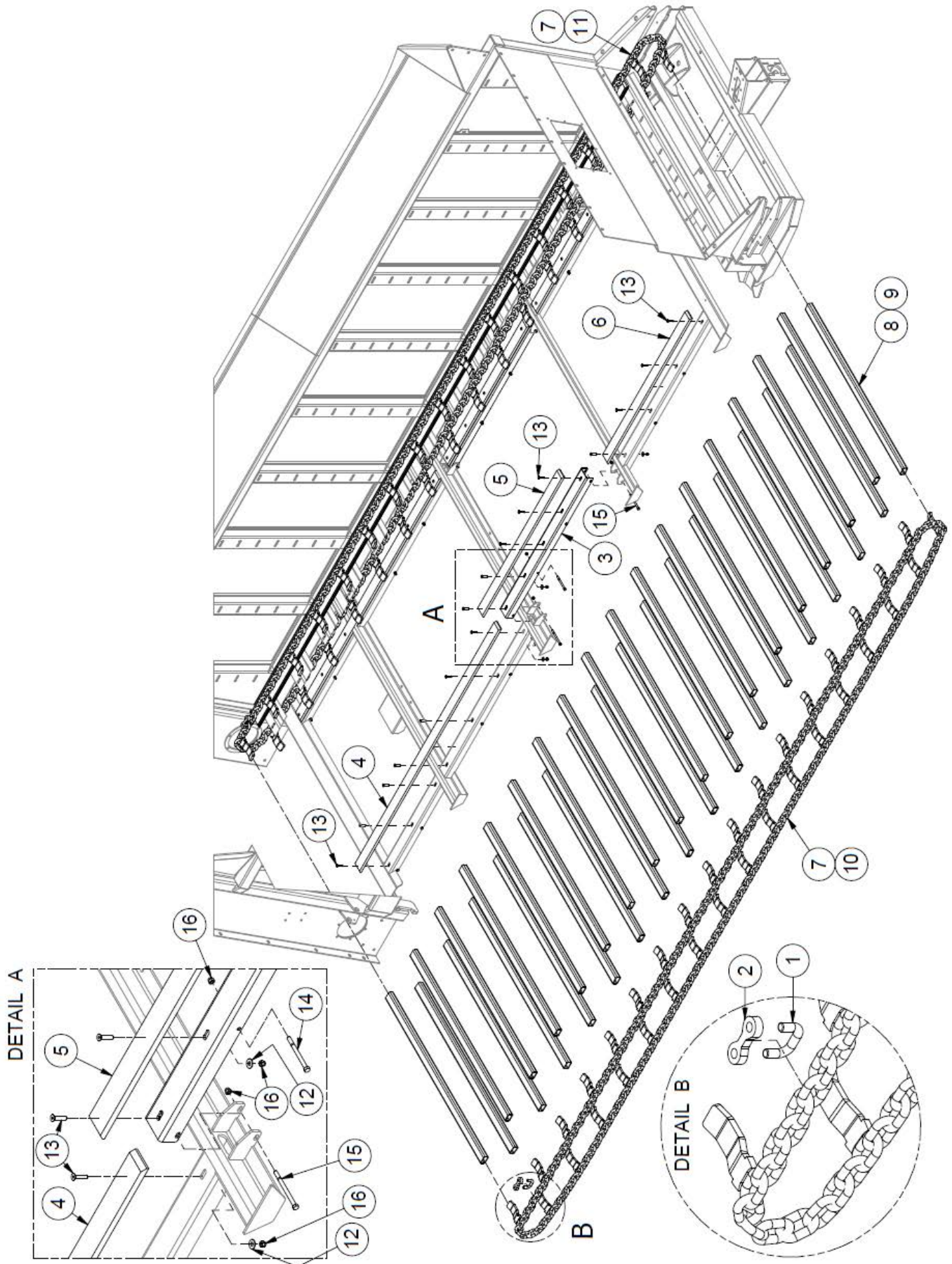
## Driveline (Current)

Used after serial no. **14NS301**

ITEM	QTY	PART NUMBER	DESCRIPTION
1	1	39850	PTO. 375,450,525,600,750 (V80-141P028359-028028-CV80-CLS)
2	1	39852	PTO. 600, 750 (T60-086P265011-306028-CLS(2500NM)
3	1	700-073	Drive Shaft -Splined 1.5" x 238.18"
4	4	BEA UCP208-24R3	1.5" Pillow Block Bearing
5	1	BEA UCF208-24R3	1.5" Flange Bearing
6	8	FW 1/2	Flatwasher - 1/2" Zinc Plated USS
7	8	HB1/2-13X2Z5	Hex Bolt 1/2-13x2 Grade 5 Zinc Plated Hex Cap Screw
8	8	LN1/2-13NCZ5	LN 1/2-13 Zinc Plated Nylon Insert Lock Nut
9	4	LN5/8-11NCZ5	LN 5/8-11 Zinc Plated Nylon Insert Lock Nut
10	4	HB5/8-11X2Z5	Hex Bolt 5/8-11x2 Grade 5 Zinc Plated Hex Cap Screw



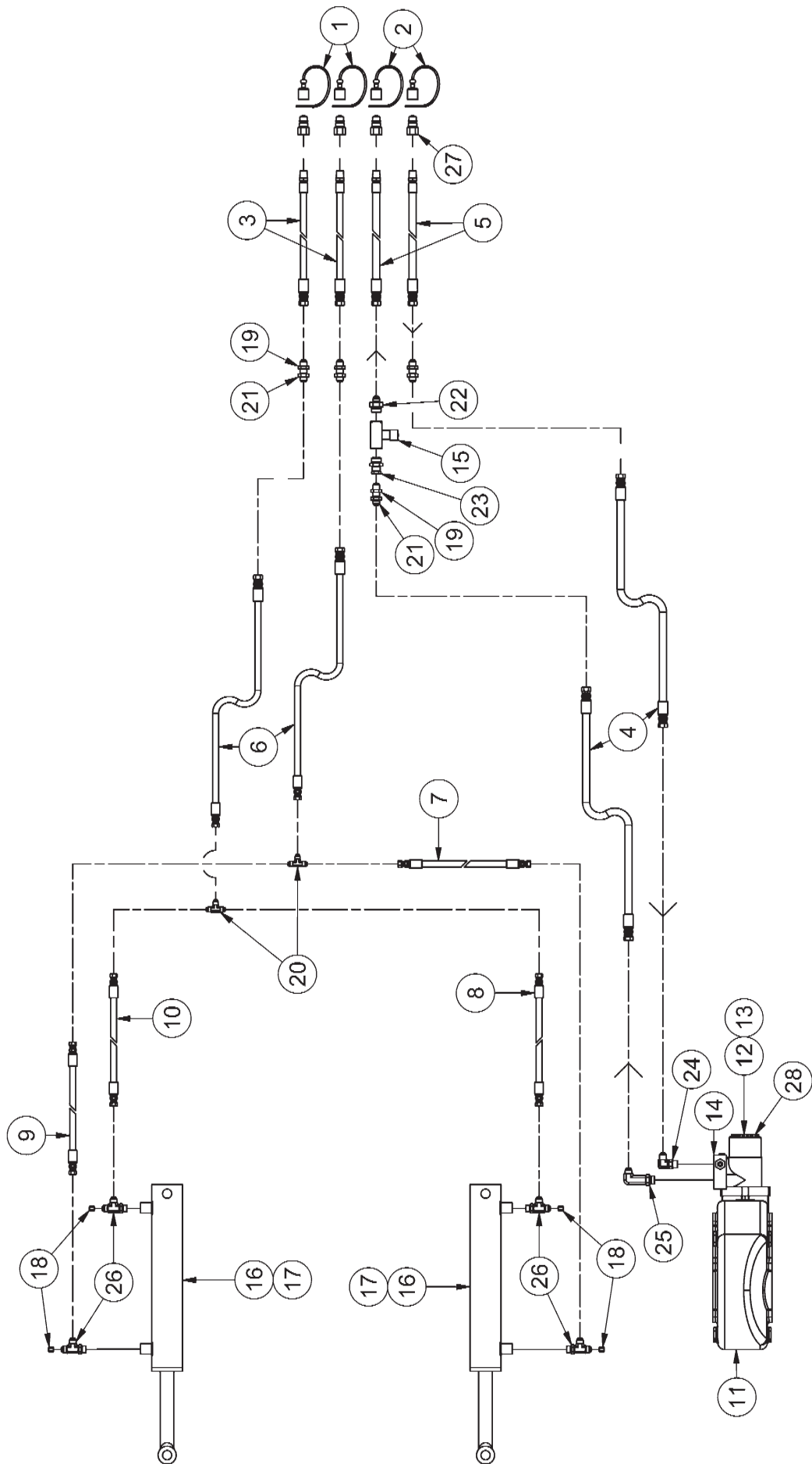
# Apron Runners



## Apron Runners

ITEM	QTY	PART NUMBER	DESCRIPTION	SERIAL BREAK
1	2	400-889	Chain Connector Link	
2	2	400-890	Chain Connector Tab	
3	2	700-163	Apron Runner Mount Bar	
4	2	700-197	Bottom Rear Runner	
5	2	700-198	Bottom Apron Runner	
6	2	700-199	Bottom Front Runner	
7	2	700-602	Apron Chain w/ Lugs	Up to 15NS310
8	34	700-604	Apron Slat	Up to 15NS310
9	34	37821	750 Slat	15NS311 - Current
10	1	43116	N750 Apron Chain Weldment Right Side	15NS311 - Current
11	1	43117	N750 Apron Chain Weldment Left Side	15NS311 - Current
12	32	FW 3/8	Flatwasher - 3/8" Zinc Plated USS	
13	32	HB 3/8-16X1.75 FHSCS	Hex Bolt - 3/8"-16 x 1 3/4" Flat Socket Cap Screw	
14	16	HB 3/8-16X4.5 Z5	Hex Bolt 3/8-16x4 1/2 Grade 5 Zinc Plated Hex Cap Screw	
15	4	HB 3/8-16X5 Z5	Hex Bolt 3/8-16x5 Grade 5 Zinc Plated Hex Cap Screw	
16	52	LN 3/8 N	LN 3/8-16 Zinc Plated Nylon Insert Lock Nut	

# Hydraulic Layout



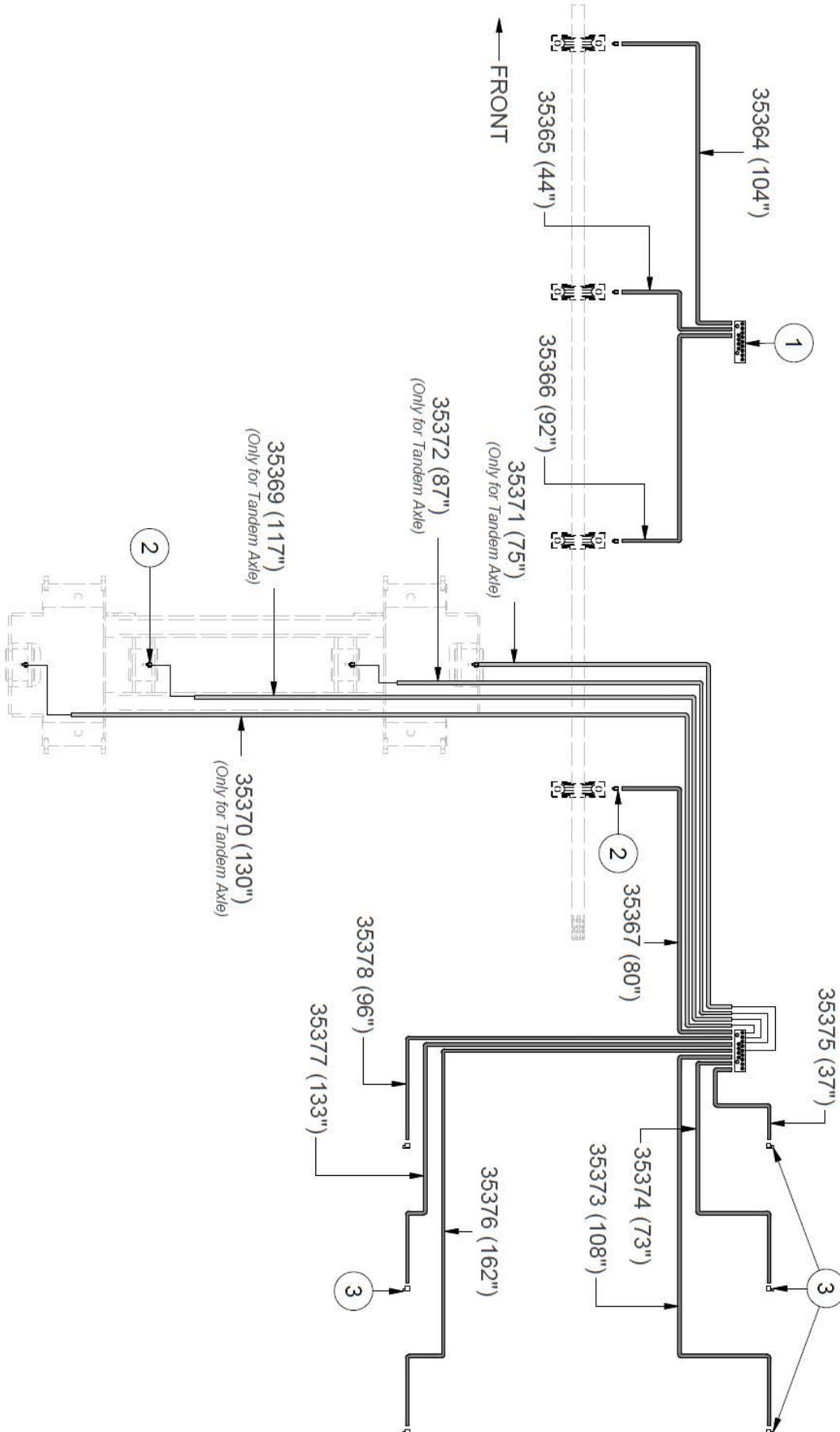
## Hydraulic Layout

ITEM	QTY	PART NUMBER	DESCRIPTION	NOTE
1	2	22946-2	Dust Cap, 1/2", Female, Yellow Colour	
2	2	22946-4	Dust Cap, 1/2", Female, Red Colour	
3	2	30654	Hose - HH73- 6AT1(8FJXH-8MP HCL 73"	
4	2	30660	Hose - HH334- 8AT1(8FJXH-8FJXH) HCL334"	
5	2	30661	Hose - HH69- 8AT1(8FJXH-8MP) HCL69"	
6	2	30664	Hose - HH320- 6AT1(8FJXH-6FJXH) HCL 320"	
7	1	30665	Hose - HH157- 6AT1(6FJXH-6FJXH) HCL 157"	
8	2	30666	Hose - HH85- 6AT1(6FJXH-6FJXH) HCL 85"	
9	1	30667	Hose - HH101- 6AT1(6FJXH-6FJXH) HCL101"	
10	1	30668	Hose - HH29- 6AT1(6FJXH-6FJXH) HCL29"	
11	1	30843	Gear Box- Berma- V750 Spreaders (RT650)	
12	1	30854	Hydraulic Motor - Spreaders	Standard
13	1	SK-SMRS-SK	Gearbox Motor Seal Kit	
14	2	30856	Hydraulic Cross Port Relief for Motor- Spreaders	
15	1	30857	Flow Control Valve - 3/4"	
16	2	CYL31733	2x69.5x1.5 Hydraulic Cylinder	
17	2	SKFH20-15	Seal Kit for 2" Cylinder Bore (Frankor) w/ 1.5" Rod	
18	4	HF 0304C-06	JIC #6 Cap	
19	4	HF 306-8	Hyd Fitting 1/2 Adjustable Locknut	
20	2	HF 2603-6-6-6	Male JIC Tee	
21	4	HF 2700LN-08-08	Hydraulic Fitting - MJIC to MJIC	
22	1	HF 6400-8-12	Hyd. Fitting	Replaces HF2404-8-12
23	1	HF 6402-12-8	Hyd. Fitting #12 Male O-Ring to #8 F JIC	Replaces HF6505-12-8
24	1	HF 6801-8-10	Hyd. Fitting - 1/2" JIC - 5/8" 90° Elbow	
25	1	HF 6801-8-10-LL	Hyd. Fitting - 1/2" JIC - 5/8" 90 Degree Elbow	
26	4	HF 6804-8-8-8	Hydraulic Tee Fitting	
27	4	HF 8010-4	Quickcoupler 1/2" Male Tip	
28	1	40718	Hydraulic Motor - Speed Sensor	Requires N8000i Scale Option



# Grease Line Layout

Use for spreaders up to serial no. 15NS406



## Grease Line Layout

*Use for spreaders up to serial no. 15NS406*

<b>ITEM</b>	<b>QTY</b>	<b>PART NUMBER</b>	<b>DESCRIPTION</b>
1	2	GR21999-0419	Grease Bank Manifold
2	8	35617	HF 5404-2-4 Hydraulic Fitting
3	6	35618	HF 5502-2-2 Hydraulic Fitting



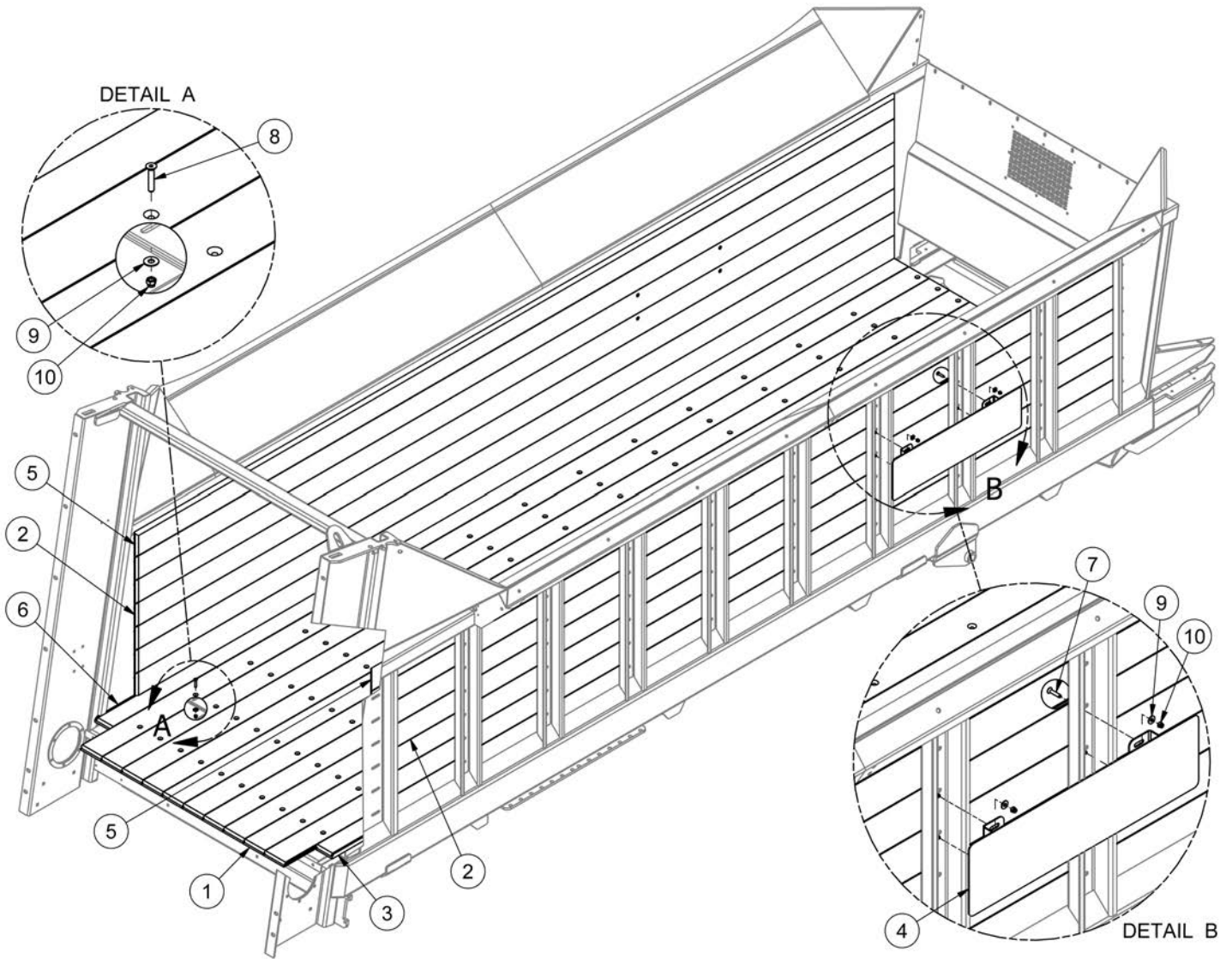
## Grease Line Layout (Current)

*Use for spreaders from serial no.15NS407 to current*

ITEM	QTY	PART NUMBER	DESCRIPTION
2	4	35617	HF5404-2-4 Hydraulic Fitting
3	6	35618	HF5502-2-2 Hydraulic Fitting



## Side - Floor Boards



ITEM	QTY	PART NUMBER	DESCRIPTION
1	10	700-069	Floor Board
2	12	700-074	Side Board
3	1	700-078	Right End Floor Board
4	2	30820	750 Decal Mount Plate
5	2	31579	Top Side Board
6	1	31582	Left End Floor Board
7	140	FHSCS3/8-16X1.75	Hex Bolt - 3/8"-16 x 1 3/4" Flat Socket Cap Screw
8	180	FHSCS3/8-16X2	Hex Bolt - 3/8"-16 x 2" Flat Socket Cap Screw
9	320	FW 3/8	Flatwasher - 3/8" Zinc Plated USS
10	320	LN3/8-16NCZ5	LN 3/8-16 Zinc Plated Nylon Insert Lock Nut

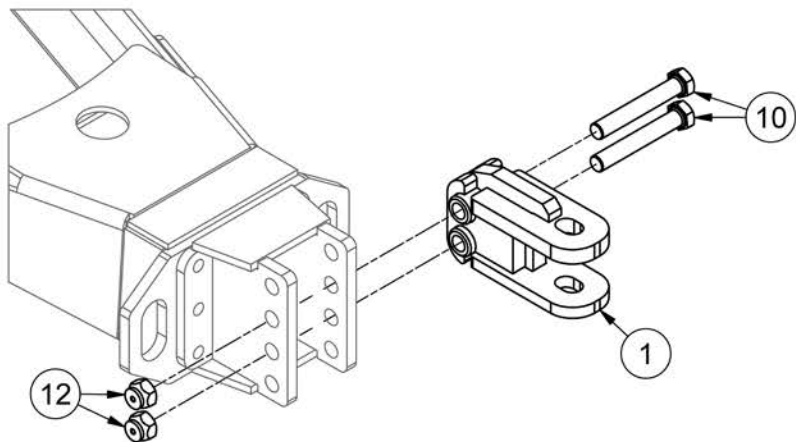
## Section 3 - Options

### Optional Kit Numbers

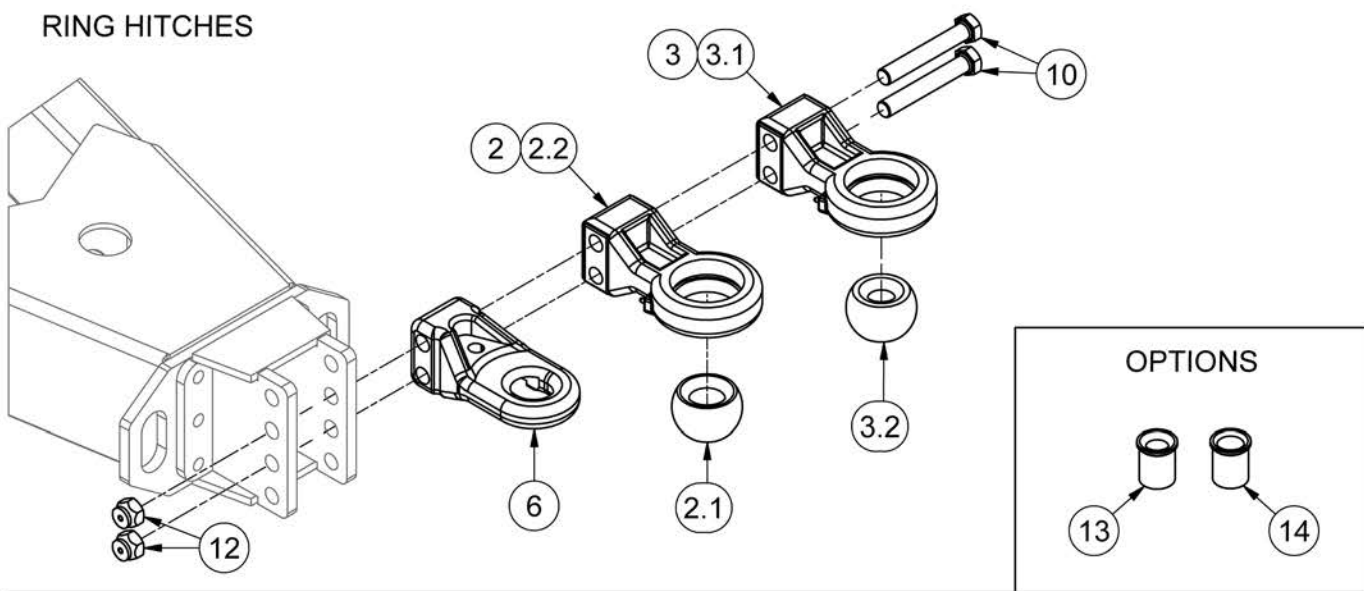
KIT NUMBER	DESCRIPTION	PAGE(S)	NOTE
	Hitches	<a href="#">Pg.3-2,3</a>	
43675	Mechanical Light Kit	<a href="#">Pg.3-4,5</a>	
TLVLK-750M	Manual Light Kit		
	Light Kit Base	<a href="#">Pg.3-6,7</a>	
	Manual Light Kit	<a href="#">Pg.3-8</a>	
	Wiring Harness	<a href="#">Pg.3-12,13</a>	
TLVLK-750	Hydraulic Light Kit		
	Light Kit Base	<a href="#">Pg.3-6,7</a>	
	Hydraulic Light Kit Cylinders	<a href="#">Pg.3-9</a>	
	Hydraulic Light Kit Hoses	<a href="#">Pg.3-10,11</a>	
	Wiring Harness	<a href="#">Pg.3-12,13</a>	
N750SB	Single Axle Brake System	<a href="#">Pg.3-14</a>	
N750TB	Tandem Axle Brake System	<a href="#">Pg.3-15</a>	
N750LC	5 Point Scale System	<a href="#">Pg.3-16</a>	
N750LCNT460	5 Point Scale System with GPS	<a href="#">Pg.3-16</a>	
N750LCNT8000	Automatic Scale Rate Control Base System	<a href="#">Pg.3-17</a>	
	Flow Control Mounting	<a href="#">Pg.3-18</a>	
31578	Manual Flow Control		
	Flow Control Hydraulic Layout - Manual	<a href="#">Pg.3-19</a>	
31797	Electric Flow Control		
	Flow Control Hydraulic Layout - Electric	<a href="#">Pg.3-20,21</a>	
	Electric Flow Control Wiring	<a href="#">Pg.3-22,23</a>	
TLVSSE750	Silage Sides	<a href="#">Pg.3-24,25</a>	
41503	750-950 Flange Paddle Kit	<a href="#">Pg.3-26,27</a>	

# Hitch Options

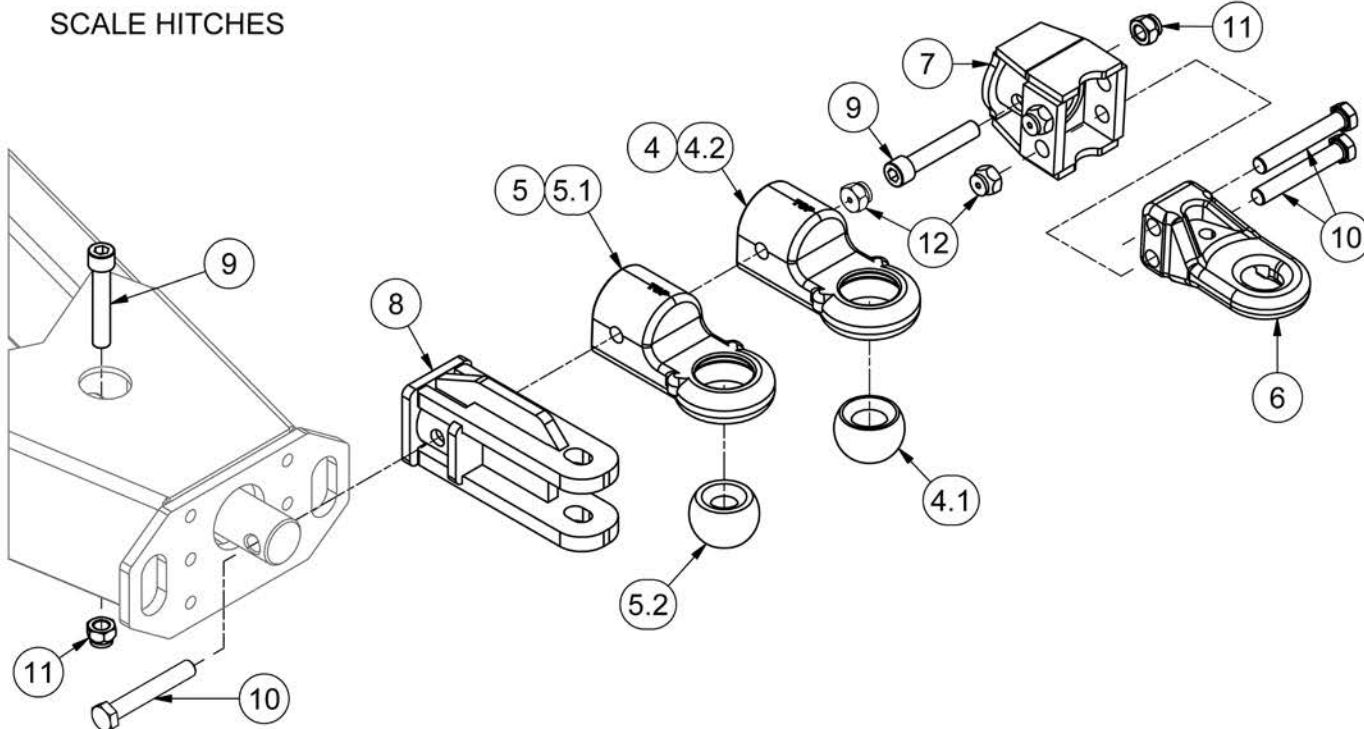
## CLEVIS HITCH



## RING HITCHES



## SCALE HITCHES



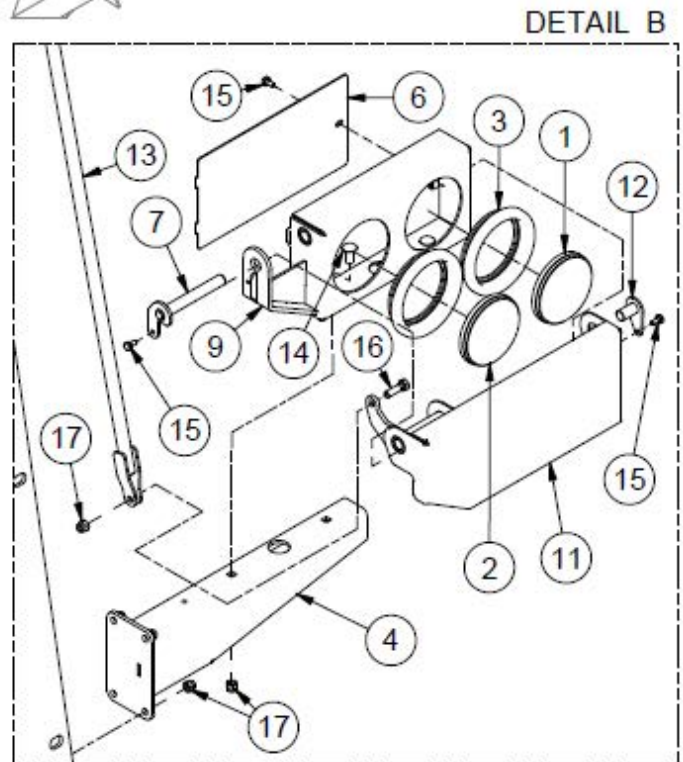
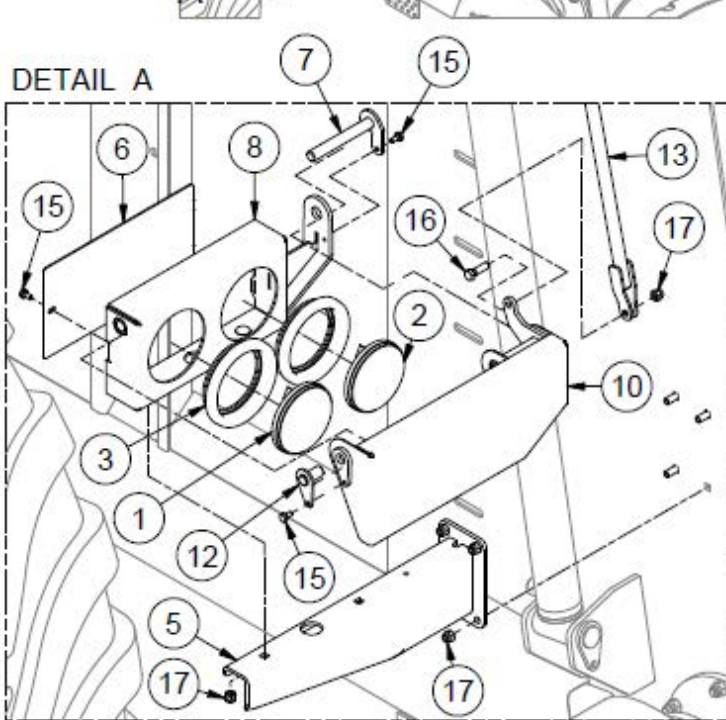
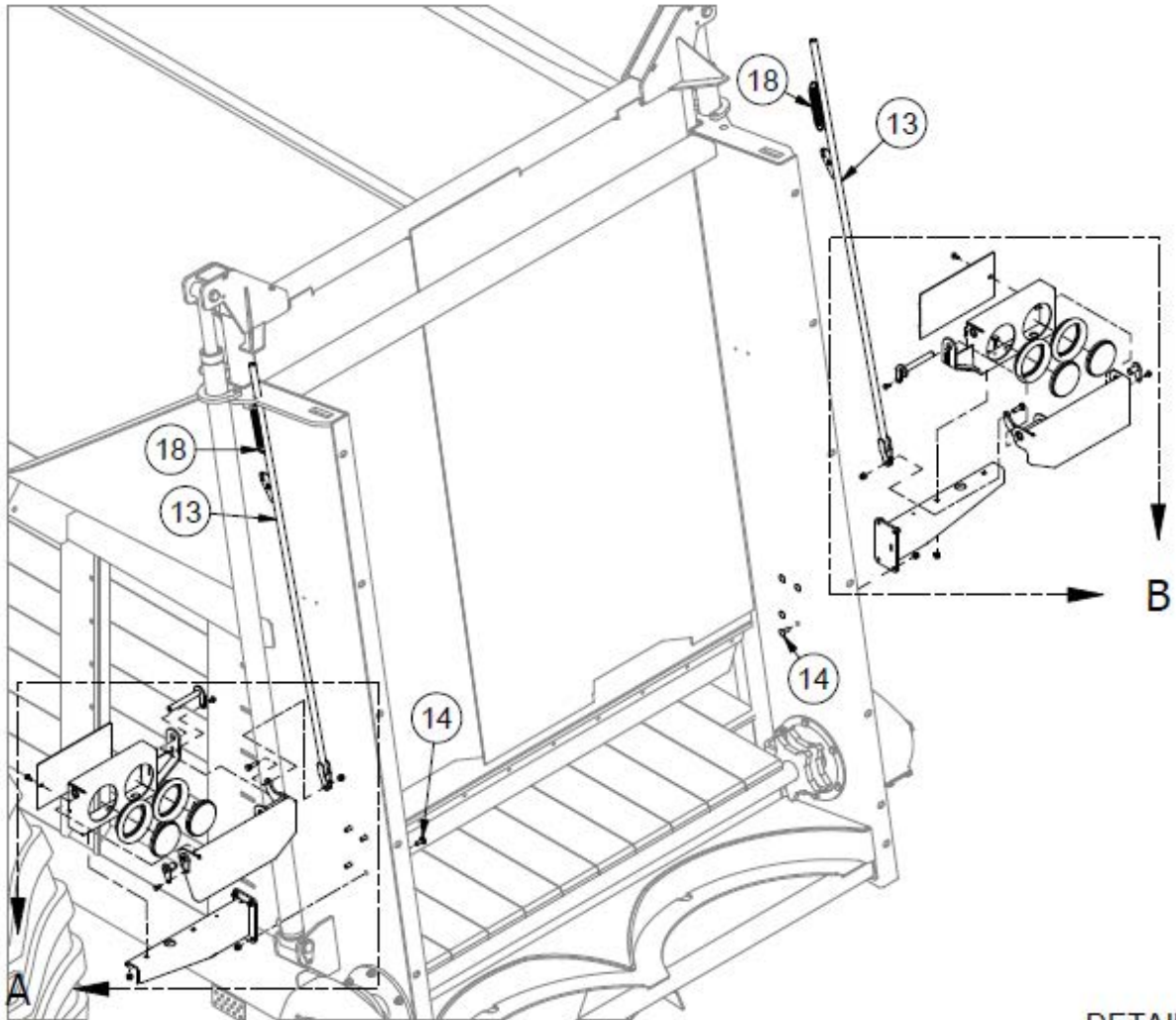
## Hitch Options

ITEM	QTY	PART NUMBER	DESCRIPTION	WHERE USED	NOTE
1	1	40471	Clevis Hitch Weldment	Up to N575RS	Standard - Replaces 30826
2		39290	Power Pin Cat 3 Ball Hitch Assembly 2" Pin	All Models	Option
2.1	1	39291	Power Pin 2" Ball Cat.3 Hitch		
2.2	1	44994	Power Pin Cat.3 Ball Hitch Base		
3		40865	Power Pin Cat 3 Ball Hitch Assembly 1.5" Pin	All Models	Option
3.1	1	44994	Power Pin Cat.3 Ball Hitch Base		
3.2	1	39994	Power Pin 1.5" Ball Cat.3 Hitch		
4		41956	Rollover Ball Hitch 2.0" ID Cat.4	All Models	Requires Scale Option
4.1	1	39291	Power Pin 2" Ball Hitch		Category 3 & 4
4.2	1	45033	Articulating Ball Hitch Base		
5		45034	Rollover Ball Hitch 1.5" ID Cat.4	All Models	Requires Scale Option
5.1	1	45033	Articulating Ball Hitch Base		
5.2	1	39994	Power Pin 1.5" Ball Cat.3 Hitch		
6		32853	Cat.4 Hitch Base	N600 - N1050	Standard - Replaces 43060
7	1	36241	Cell Hitch		Requires Scale Option
8	1	42550	Cell Clevis Hitch	275RS - 575RS	Requires Scale Option
9		SHCS1-8X5.5	Hex Bolt - 1-8 x 5 1/2 Socket Head Cap Screw		
10		HB1-14X6.5YZ8	Hex Bolt 1-14x6 1/2 Grade 8 Zinc Hex Cap Screw		
11		LN1-8NCZ5	LN 1-8 Zinc Plated Nylon Insert Lock Nut		
12		LN1-14NFZ5	Center Locknuts (1-14) 2-Way Fine Thread		
13	1	45826	Hitch Insert Bushing (2.0"-1.25")	Optional	Requires hitch with 2" Ball
14	1	45827	Hitch Insert Bushing (2.0"-1.5")	Optional	Requires hitch with 2" Ball



# Mechanical Light Kit - 43675

Used from serial no. 19NS301 to current.



## Mechanical Light Kit - 43675

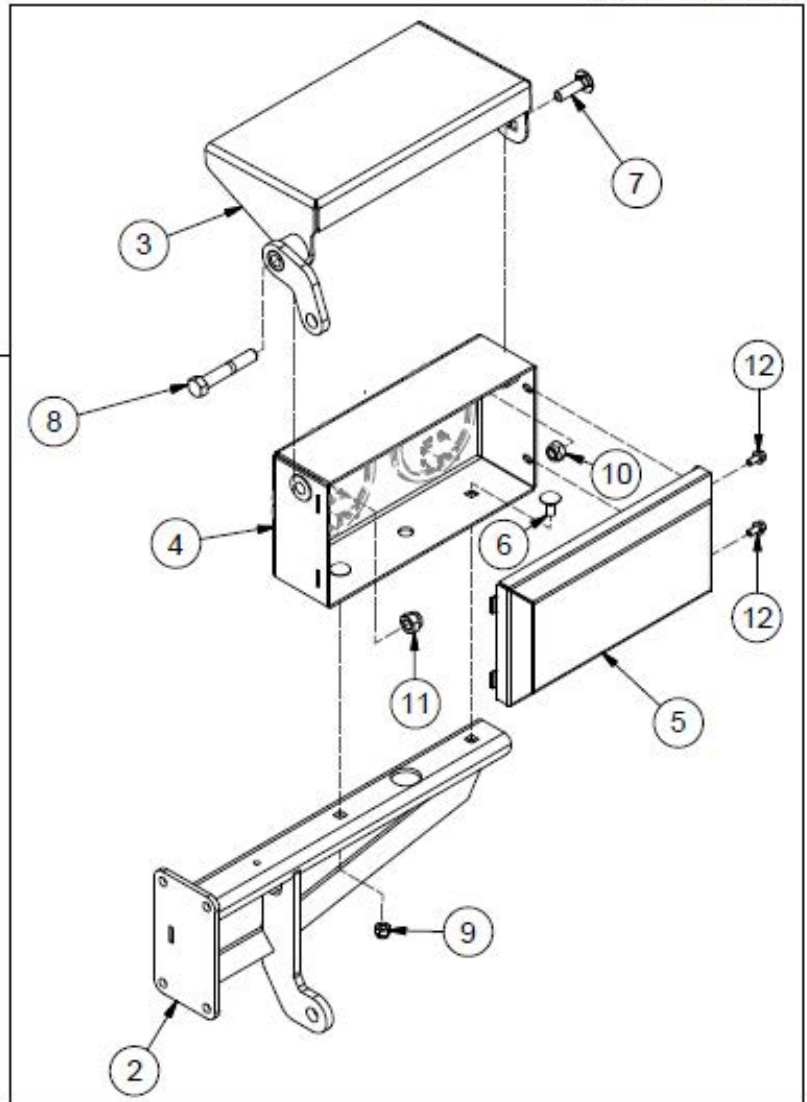
Used from serial no. 19NS301 to current.

ITEM	QTY	PART NUMBER	DESCRIPTION
1	2	31788	Red LED Light for Nitro Spreader
2	2	31789	Amber LED Light for Nitro Spreader
3	4	31798	Grommet for LED Lights on Nitro
4	1	42139	Right Light Bracket
5	1	42140	Left Light Bracket
6	2	43178	Light Box Cover
7	2	43204	Inner Pin Assembly
8	1	43206	Left Light Box Assembly
9	1	43207	Right Light Box Assembly
10	1	43208	Left Light Cover
11	1	43209	Right Light Cover
12	2	43213	Outer Pin Assembly
13	2	43583	750/950 Manual Light Push Arm
14	12	CB 3/8-16 X1 Z5	Carriage Bolt - 3/8-16 x 1" Grade 5 Zinc
15	6	HB 1/4-20X0.5 Z5	Hex Bolt 1/4-20x1/2 Grade 5 Zinc Plated Hex Cap Screw
16	2	HB 3/8-16X1.25 Z5	Hex Bolt 3/8-16x1 1/4 Grade 5 Zinc Plated Hex Cap Screw
17	14	LN 3/8 N	LN 3/8-16 Zinc Plated Nylon Insert Lock Nut
18	2	PP00679	Spring 2-TE 86B (AC-08044)

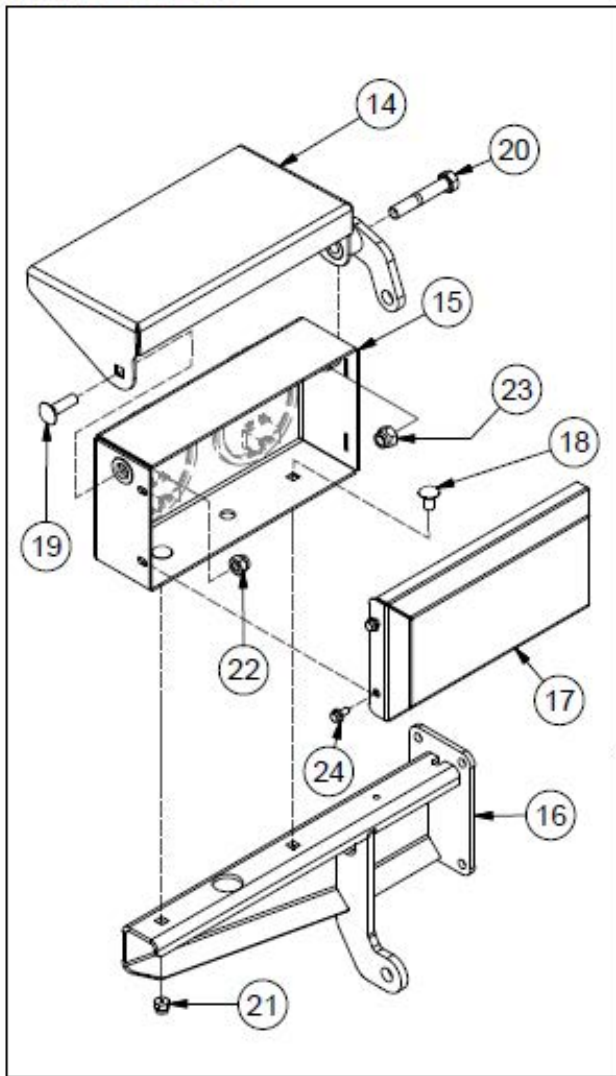
# Light Kit Base

Used from serial no. 18NS316 to current.

Item 1 - 400-850



Item 13 - 400-855



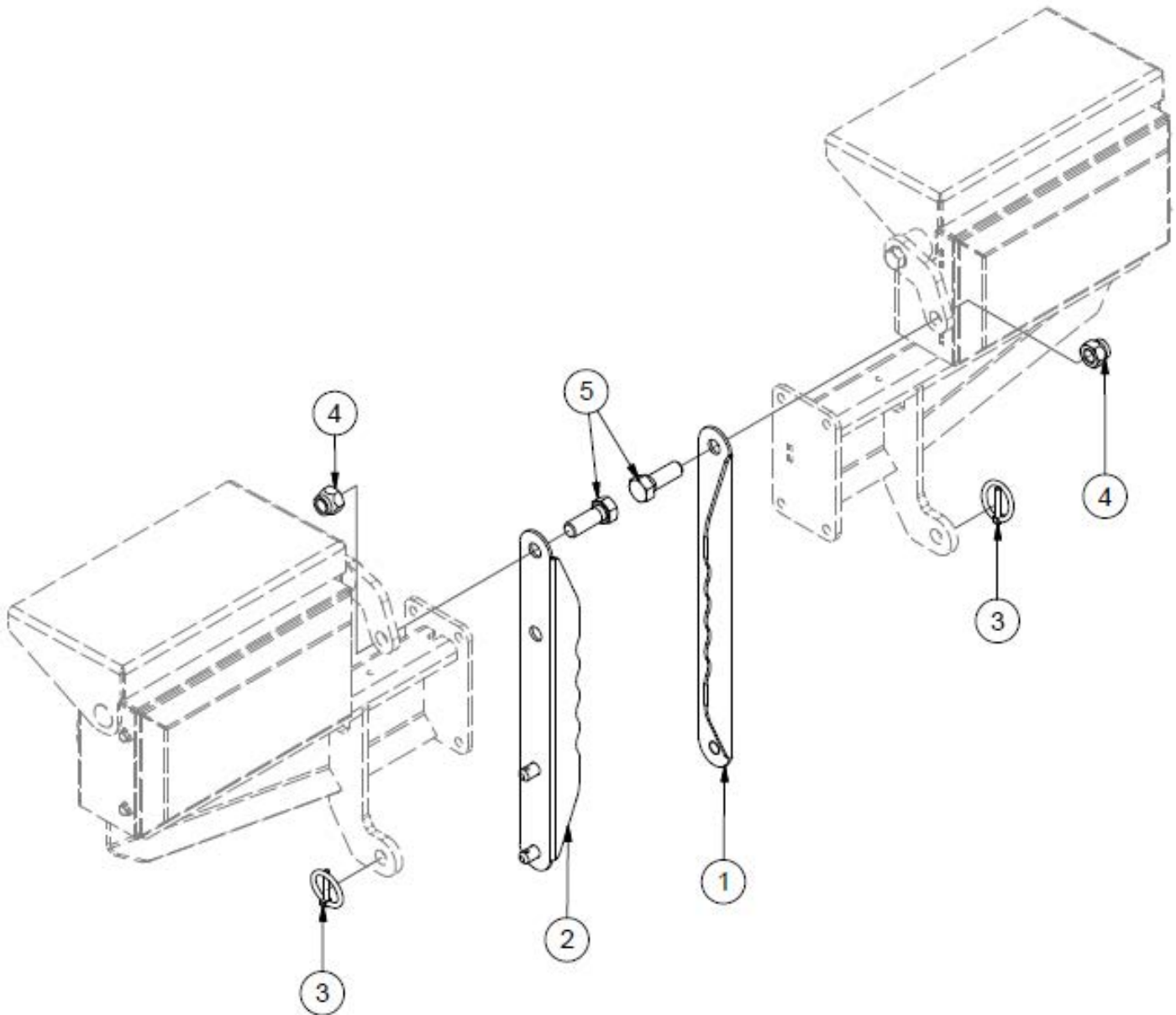
## Light Kit Base

*Used from serial no. 18NS316 to current.*

ITEM	QTY	PART NUMBER	DESCRIPTION
1	1	400-850	Left Light Assembly
2	1	400-354	Left Light Mount Bar
3	1	400-939	Left Light Cover
4	1	400-940	Left Light Housing
5	1	400-943	Light Housing Lid
6	2	CB 3/8-16X 3/4 Z5	Carriage Bolt - 3/8-16 x 3/4" Grade 5 Zinc
7	1	CB 7/16-14X1.1/2 Z5	Carriage Bolt - 7/16-14 x 1 1/2" Grade 5 Zinc
8	1	HB 1/2-13X3.0 Z5	Hex Bolt 1/2-13 x 3" Grade 5 Zinc Plated Hex Cap Screw NC
9	2	LN 3/8 N	Locknuts - 3/8-16 Zinc Plated Nylon Insert Lock Nut
10	1	LN 7/16	Center Locknuts - 7/16-14 Top Lock Nut
11	1	LN 1/2 N	Locknuts - 1/2-13 Zinc Plated Nylon Insert Lock Nut
12	2	HBC14X12	Hex Bolt 1/4-20 x 1/2 Grade 8.2 Zinc Flange Bolt SAE
13	1	400-855	Right Light Assembly
14	1	400-355	Right Light Cover
15	1	400-356	Right Light Housing
16	1	400-941	Right Light Mounting Bar
17	1	400-943	Light Housing Lid
18	2	CB 3/8-16X 3/4 Z5	Carriage Bolt - 3/8-16 x 3/4" Grade 5 Zinc
19	1	CB 7/16-14X1.1/2 Z5	Carriage Bolt - 7/16-14 x 1 1/2" Grade 5 Zinc
20	1	HB 1/2-13X3.0 Z5	Hex Bolt 1/2-13 x 3" Grade 5 Zinc Plated Hex Cap Screw NC
21	2	LN 3/8 N	Locknuts - 3/8-16 Zinc Plated Nylon Insert Lock Nut
22	1	LN 7/16	Center Locknuts - 7/16-14 Top Lock Nut
23	1	LN 1/2 N	Locknuts - 1/2-13 Zinc Plated Nylon Insert Lock Nut
24	2	HBC14X12	Hex Bolt 1/4-20 x 1/2 Grade 8.2 Zinc Flange Bolt SAE

# Manual Light Kit

Used from serial no. 18NS316 to current.

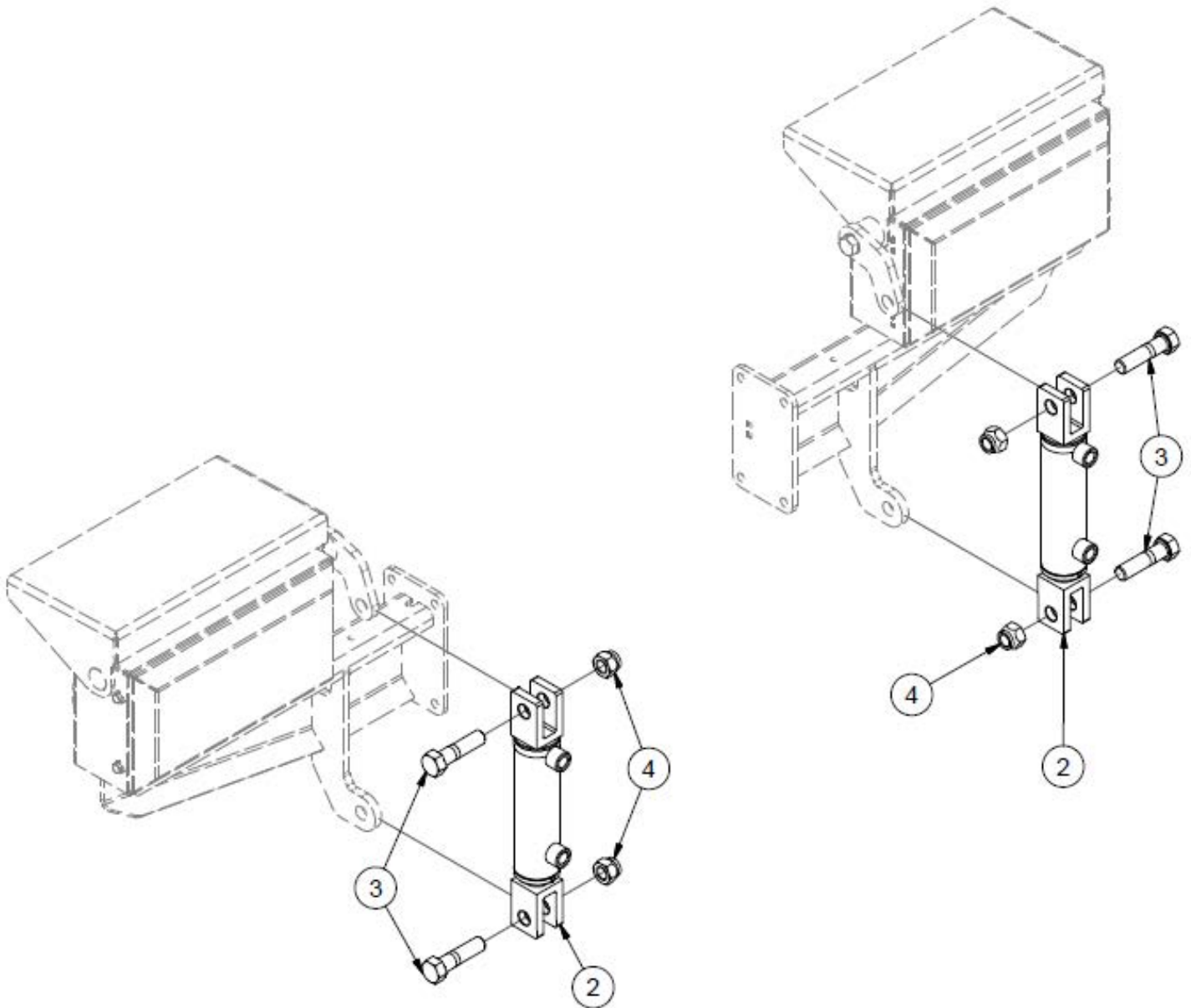


ITEM	QTY	PART NUMBER	DESCRIPTION
	1	37773	Manual Light Kit Assembly
1	1	37771	Left Light Lid Link
2	1	37772	Right Light Lid Link
3	2	25680	Lynch Pin 3/16 x 1.5
4	2	LN 5/8 N	Locknut - 5/8-11 Zinc Plated Nylon Insert Lock Nut
5	2	HB 5/8-11X1.3/4 Z5	Hex Bolt - 5/8"-11 x 1-3/4" Grade 5 Zinc Plated Hex Cap Screw NC



## Hydraulic Light Kit Cylinders

Used from serial no. 18NS316 to current.

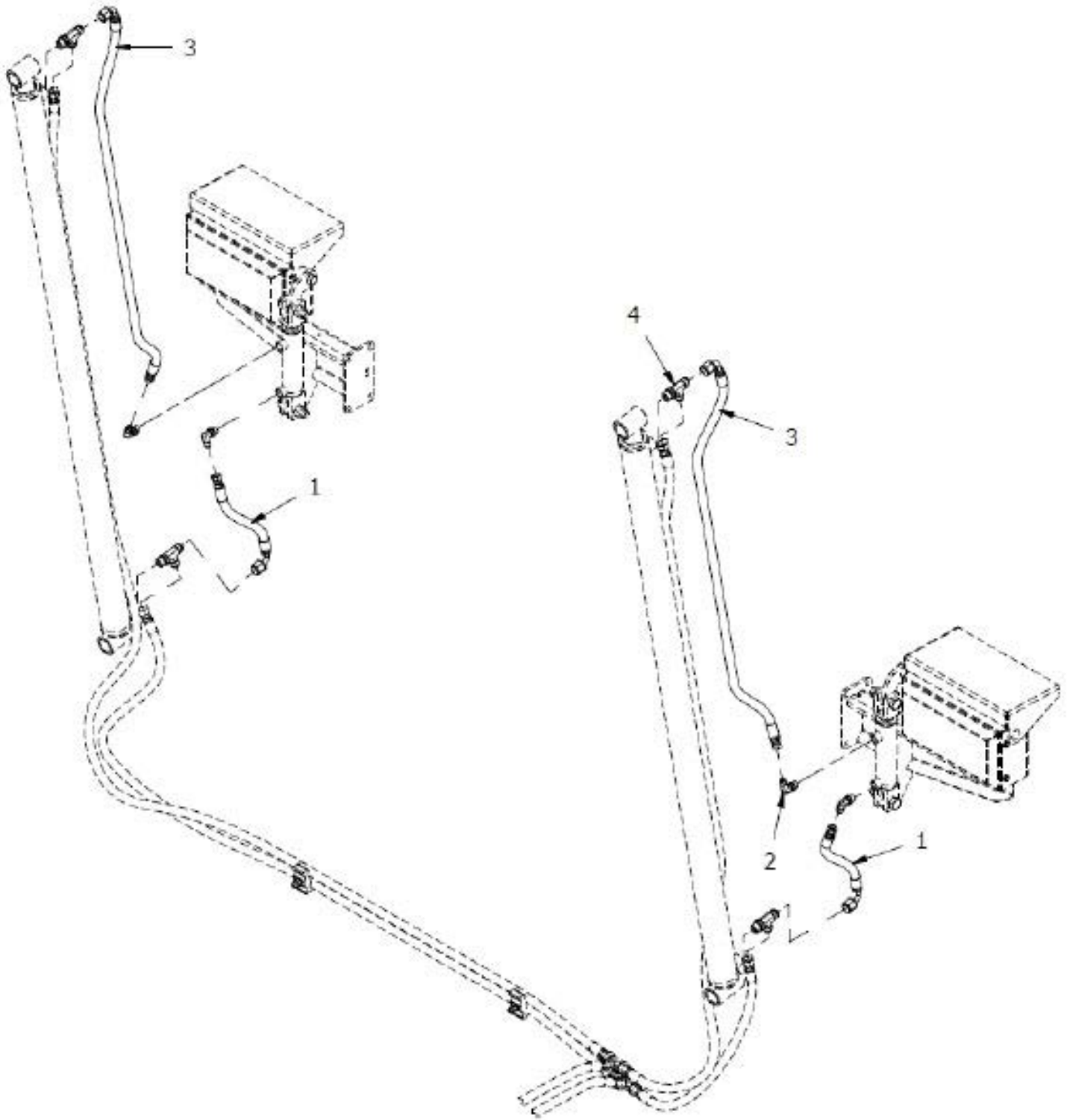


ITEM	QTY	PART NUMBER	DESCRIPTION
1	1	37768	Complete Hydraulic Kit*
2	2	31326	Hydraulic Cylinder
3	4	HB 5/8-11X2.1/2 Z5	Hex Bolt 5/8-11 x 2 1/2" Grade 5 Zinc Plated Hex Cap Screw NC
4	4	LN 5/8 N	Locknut - 5/8-11 Zinc Plated Nylon Insert Lock Nut

\*Includes hose kit on [pages 3-10,11](#).

# Hydraulic Light Kit Hoses

Used from serial no. **18NS316** to current.

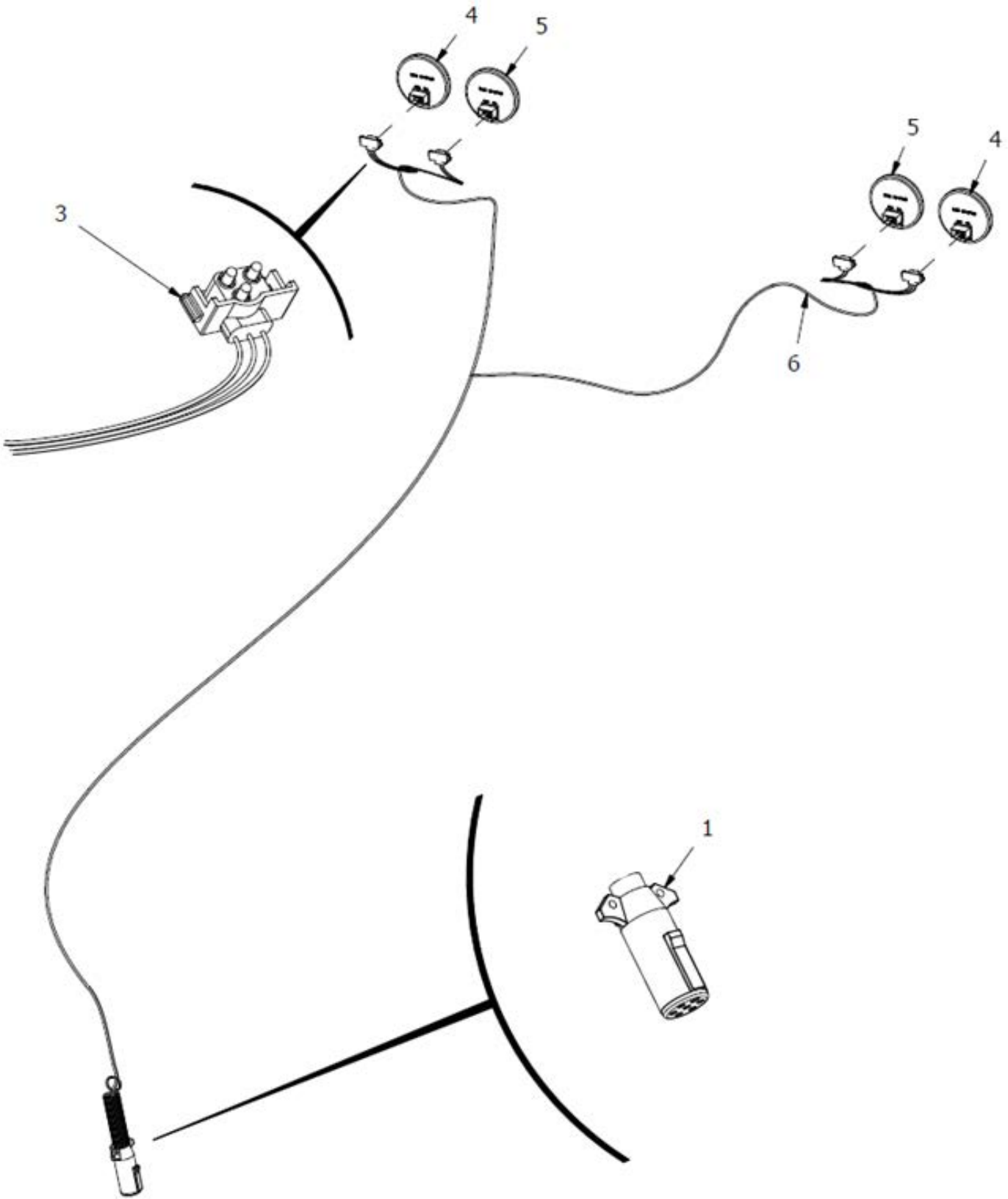


## Hydraulic Light Kit Hoses

*Used from serial no. 18NS316 to current.*

ITEM	QTY	PART NUMBER	DESCRIPTION
1	2	30802	3/8 Hose - 59" (FJX-6, FJX90-6-6)
2	4	HF 6801-6-6	Hydraulic Fitting
3	2	30801	3/8 Hose - 10" (FJX-6, FJX90-6-6)
4	4	HF 6804-6-6	Hydraulic Fitting

# Light Kit Wiring

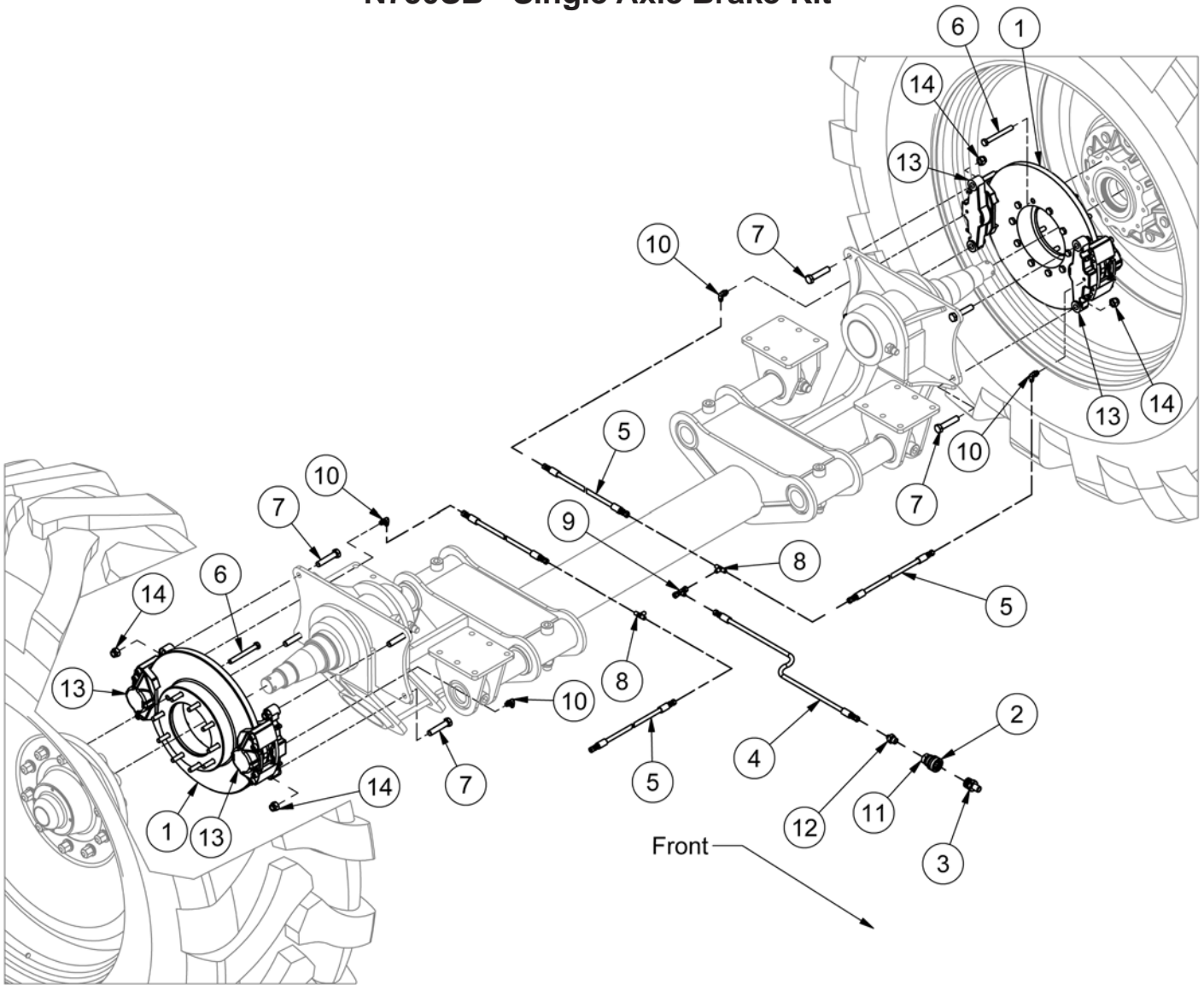


## Light Kit Wiring

ITEM	QTY	PART NUMBER	DESCRIPTION
1	1	TL550-200-117	Female 7 Pin Plug
	4	31798	Light Grommet
3	4	31790	Individual Light Wiring
4	2	31788	Red Tail Light
5	2	31789	Amber Tail Light
6	1	36926	Nitro N750 Wiring Harness
	1	31575	TLV750 Light Kit Wiring and Lights



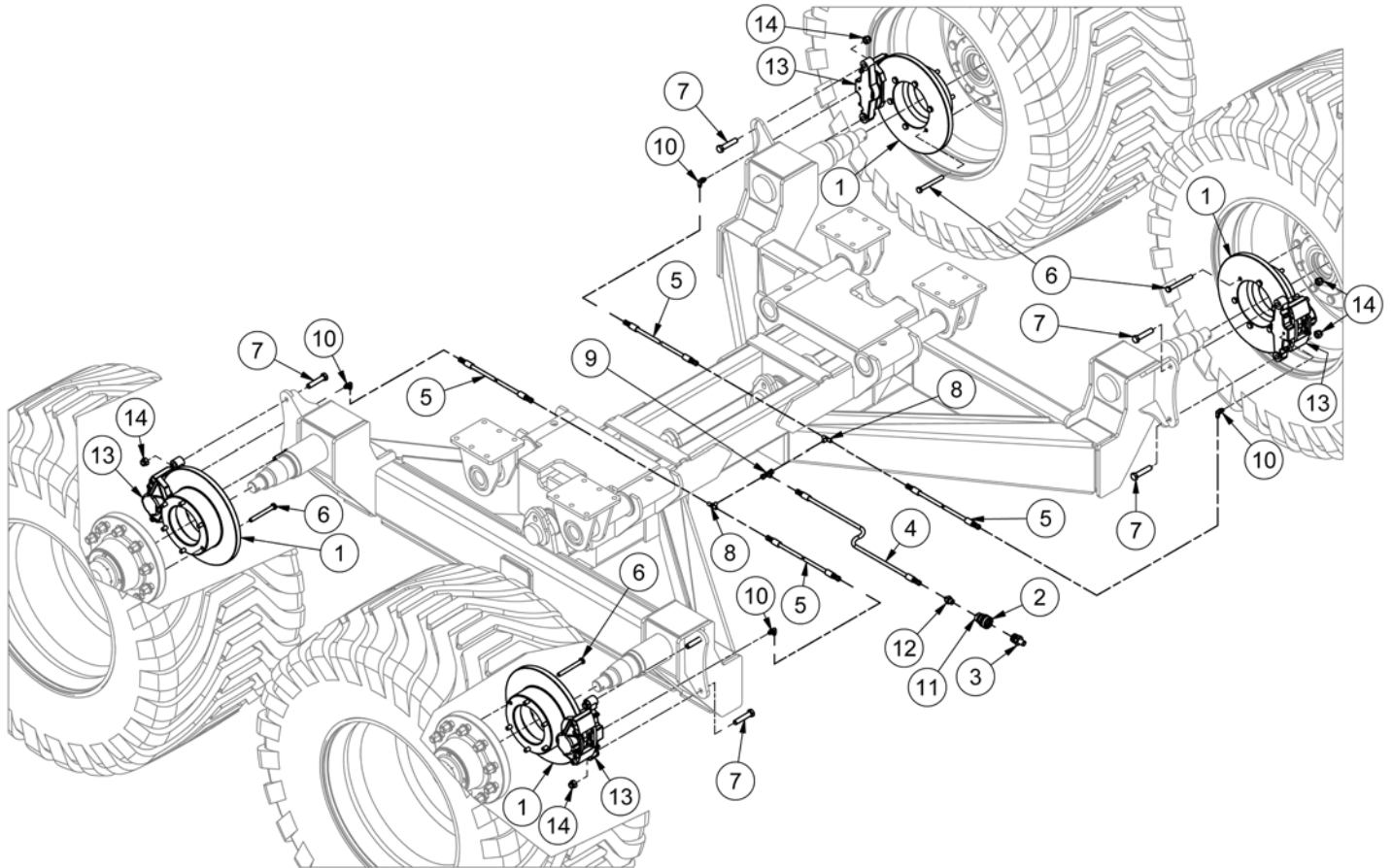
## N750SB - Single Axle Brake Kit



\*Scale ready axle shown.

ITEM	QTY	PART NUMBER	DESCRIPTION	NOTE
1	2	35382	Rotor for 20000# Hub	
2	1	36022	Hyd. Quick Coupler- Female- For Nitro Brakes	Inc. Item 11
3	1	37846	Hyd. Quick Coupler- Male- For Nitro Brakes	
4	1	39496	Hose - HH360 4AT1(4G4FJX,4G4FJX) HCL 360"	
5	4	39500	Hose - HH76 4AT1(4G4FJX,4G4FJX)HCL76"	
6	20	HB 1/2-20 X4.5 YZ8	Hex Bolt 1/2-20x4 1/2 Grade 8 Zinc Hex Cap Screw	
7	8	HB 5/8-18 X3 YZ8	Hex Bolt 5/8-18x3 Grade 8 Zinc Hex Cap Screw	
8	2	HF 2603-4	Hydraulic Fitting - Male JIC Tee	
9	1	HF 6603-4-4-4	T- Fitting JIC	
10	4	HF 6801-4-4	Hydraulic Fitting - 90° O-Ring to JIC	
11	1	HF 9500-18MM	Metric Thread Bonded Seal	
12	1	HF 9606-04-S18	Hydraulic Adaptor - 1/4" JIC/M18-1.5	
13	4	LA-11-1527	16000# Caliper	
14	8	LN 5/8 F	Center Locknuts (5/8-18) 2-Way Fine Thread	

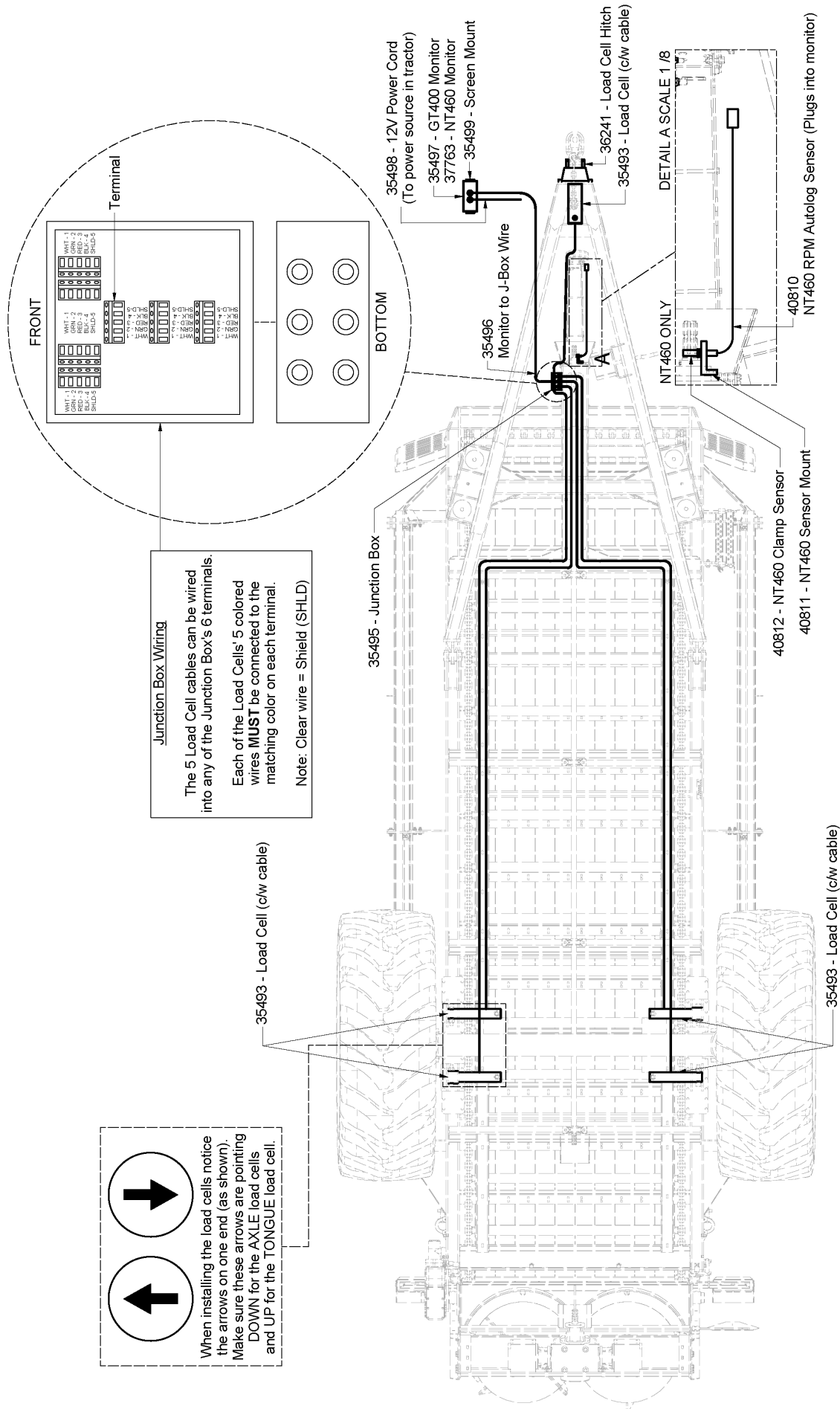
## N750TB - Tandem Axle Brake Kit



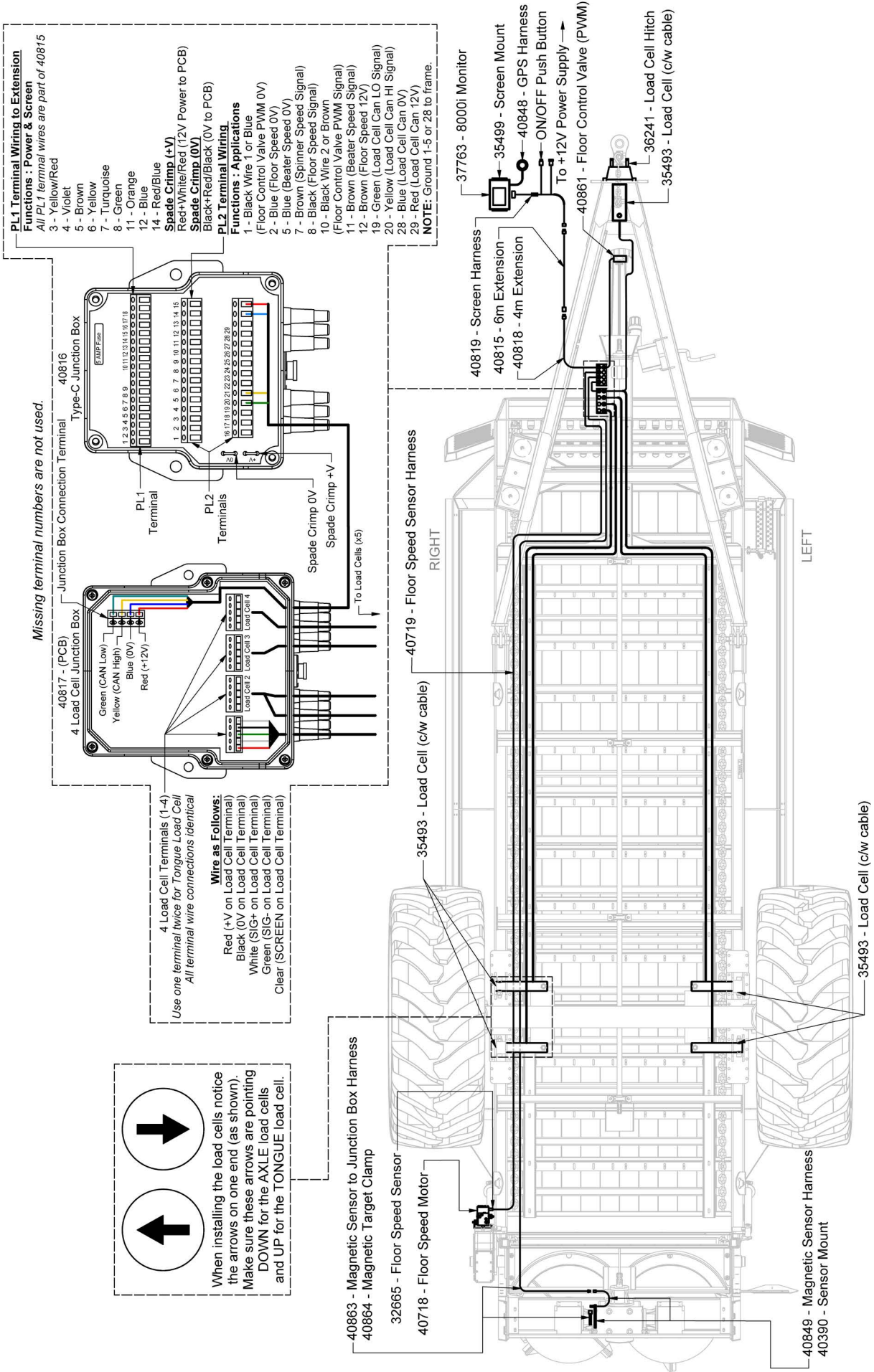
*\*Scale ready axle shown.*

ITEM	QTY	PART NUMBER	DESCRIPTION	NOTE
1	4	31773	Rotor for 16000# Hub - 9 Bolt	
2	1	36022	Hyd. Quick Coupler- Female- For Nitro Brakes	Inc. Item 11
3	1	37846	Hyd. Quick Coupler- Male- For Nitro Brakes	
4	1	39496	Hose - HH360 4AT1(4G4FJX,4G4FJX)HCL360"	
5	4	39500	Hose - HH76 4AT1(4G4FJX,4G4FJX)HCL76"	
6	36	HB 1/2-20 X4.5 YZ8	Hex Bolt 1/2-20x4 1/2 Grade 8 Zinc Hex Cap Screw	
7	8	HB 5/8-18 X3 YZ8	Hex Bolt 5/8-18x3 Grade 8 Zinc Hex Cap Screw	
8	2	HF 2603-4	Hydraulic Fitting - Male JIC Tee	
9	1	HF 6603-4-4-4	T- Fitting JIC	
10	4	HF 6801-4-4	Hydraulic Fitting - 90° O-Ring to JIC	
11	1	HF 9500-18MM	Metric Thread Bonded Seal	
12	1	HF 9606-04-S18	Hydraulic Adaptor - 1/4" JIC/M18-1.5	
13	4	LA-11-1527	16000# Caliper	
14	8	LN 5/8 F	Center Locknuts (5/8-18) 2-Way Fine Thread	

# N750LC (GT400) / N750LCNT460 Scales

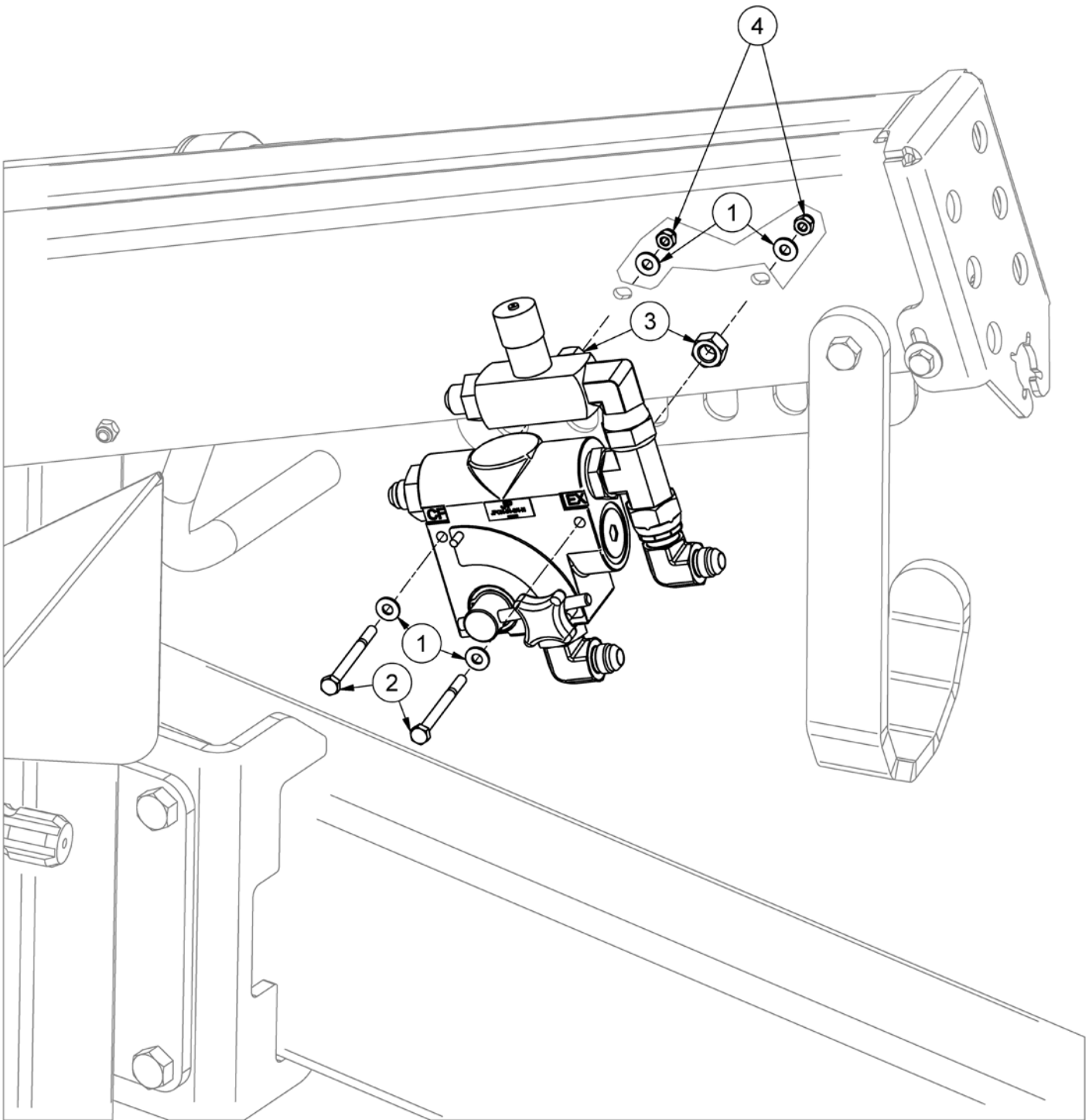


# N750LCNT8000 Scales





## Flow Control Mounting

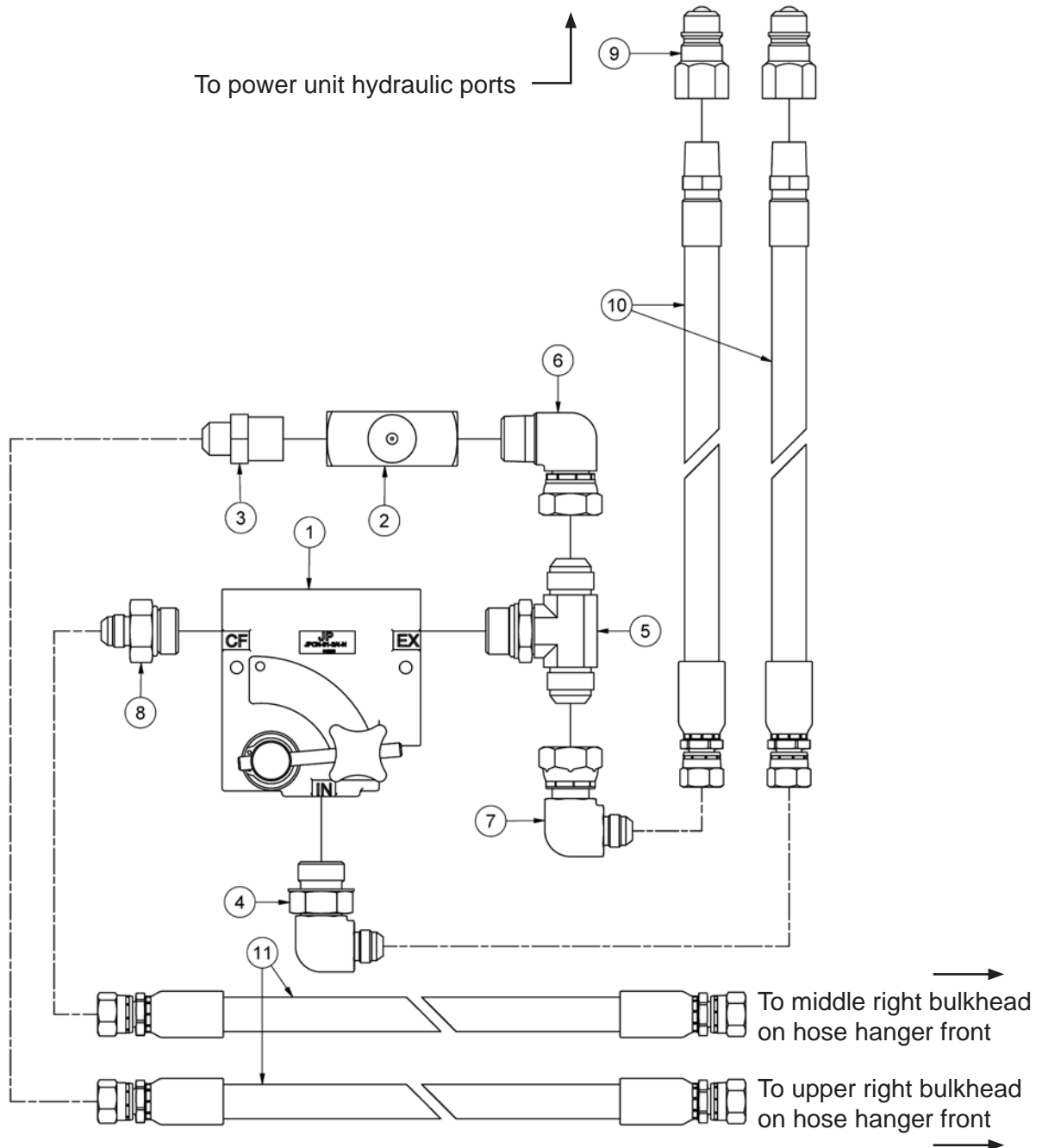


ITEM	QTY	PART NUMBER	DESCRIPTION
1	4	FW 1/4	Flatwasher - 1/4" Zinc Plated USS
2	2	HB 1/4-20X3 Z5	Hex Bolt 1/4-20x3 Grade 5 Zinc Plated Hex Cap Screw
3	2	HN 1/2	Hex Nut 1/2"-13 Grade 5 Zinc Plated Finished
4	2	LN 1/4 N	LN 1/4-20 Zinc Plated Nylon Insert Lock Nut

**NOTICE:** Manual flow control shown. Electric flow control option has same mounting hardware. See hydraulic layouts for flow control breakdowns.

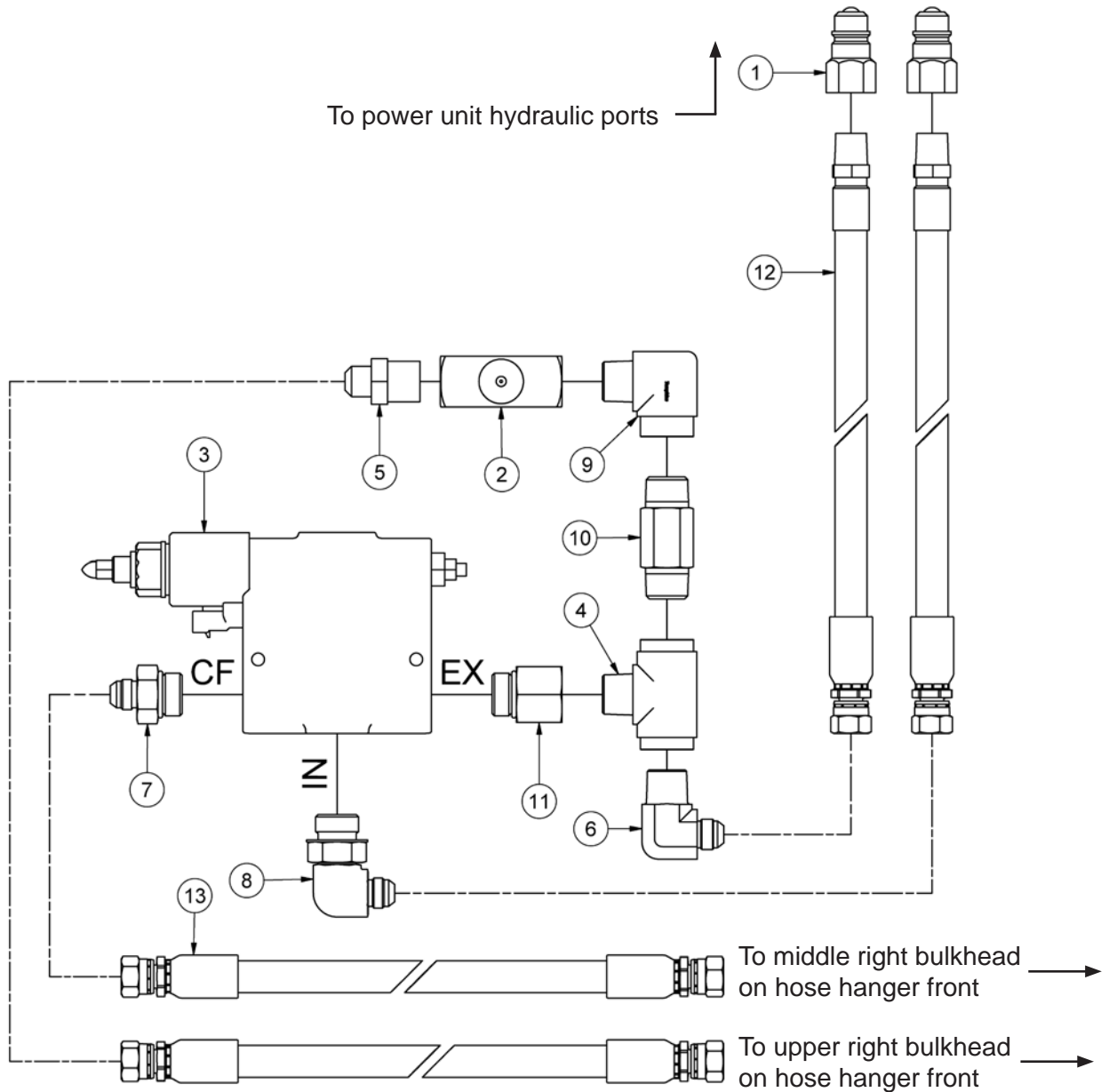


## Flow Control Hydraulic Layout - Manual



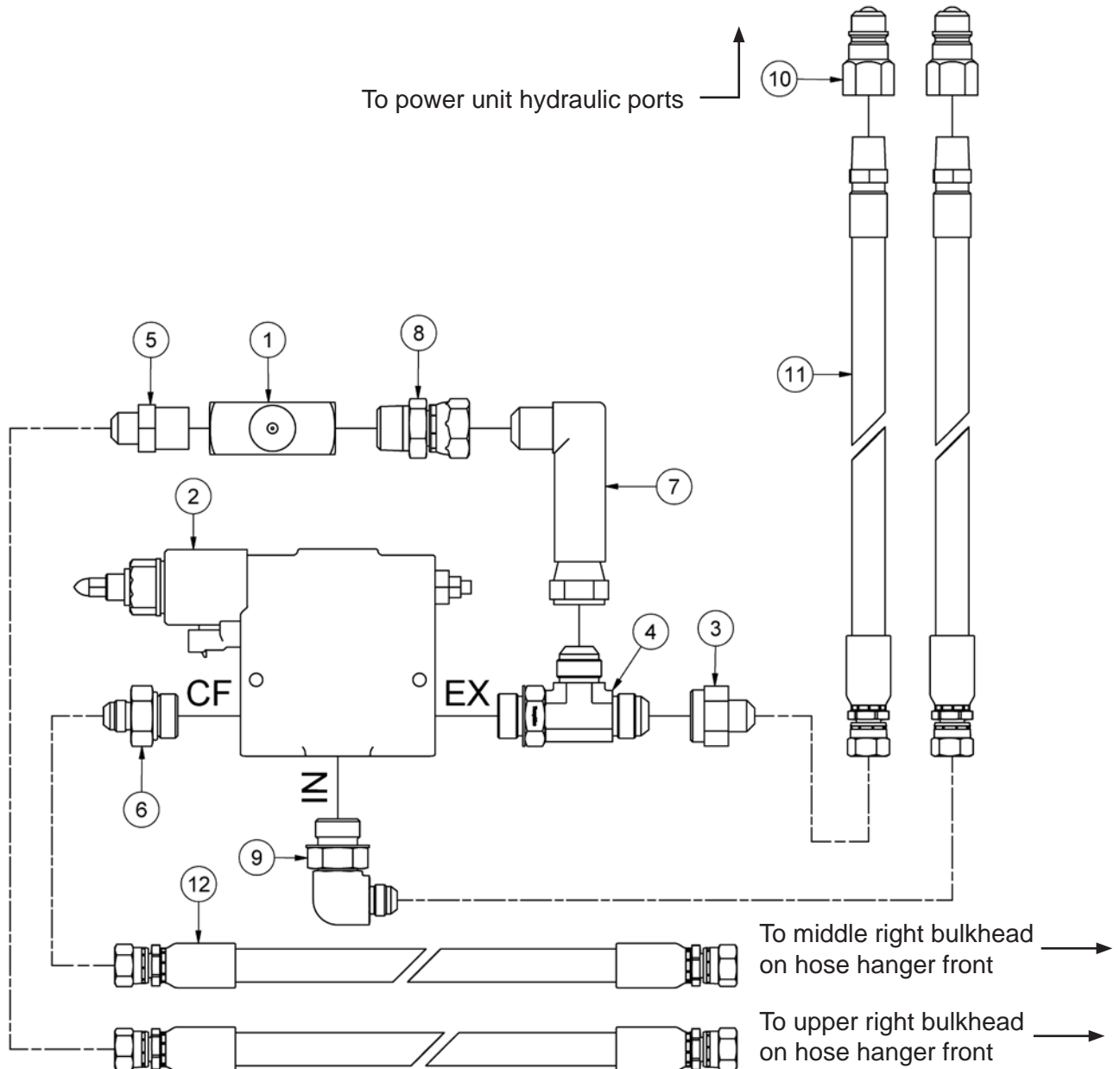
ITEM	QTY	PART NUMBER	DESCRIPTION
1	1	30855	Flow Control - Pressure Compensated 3/4
2	1	30857	Flow Control Valve - 3/4"
3	1	HF 2404-8-12	Hydraulic Fitting - Union
4	1	HF 6801-8-12	Hyd. Fitting - 1/2" JIC - 3/4" 90 Degree Elbow
5	1	HF 6803-12-12-12	Hyd. Fitting Male JIC Male JIC Male ORB Tee
6	1	HF 6501-12-12	Hyd. Fitting 90° 3/4 MNPT - 3/4 FJXH
7	1	HF 6500-8-12	Hyd. Fitting 1/2 Male JIC - 3/4 Female JIC 90°
8	1	HF 6400-8-12	Hyd. Fitting
9	2	HF 8010-4	Quickcoupler 1/2" Male Tip
10	2	30661	HH 1/2 72",8FJX,8MP
11	2	37987	HH 1/2 48",8FJX,8FJX

## Flow Control Hydraulic Layout - Electric (Original)



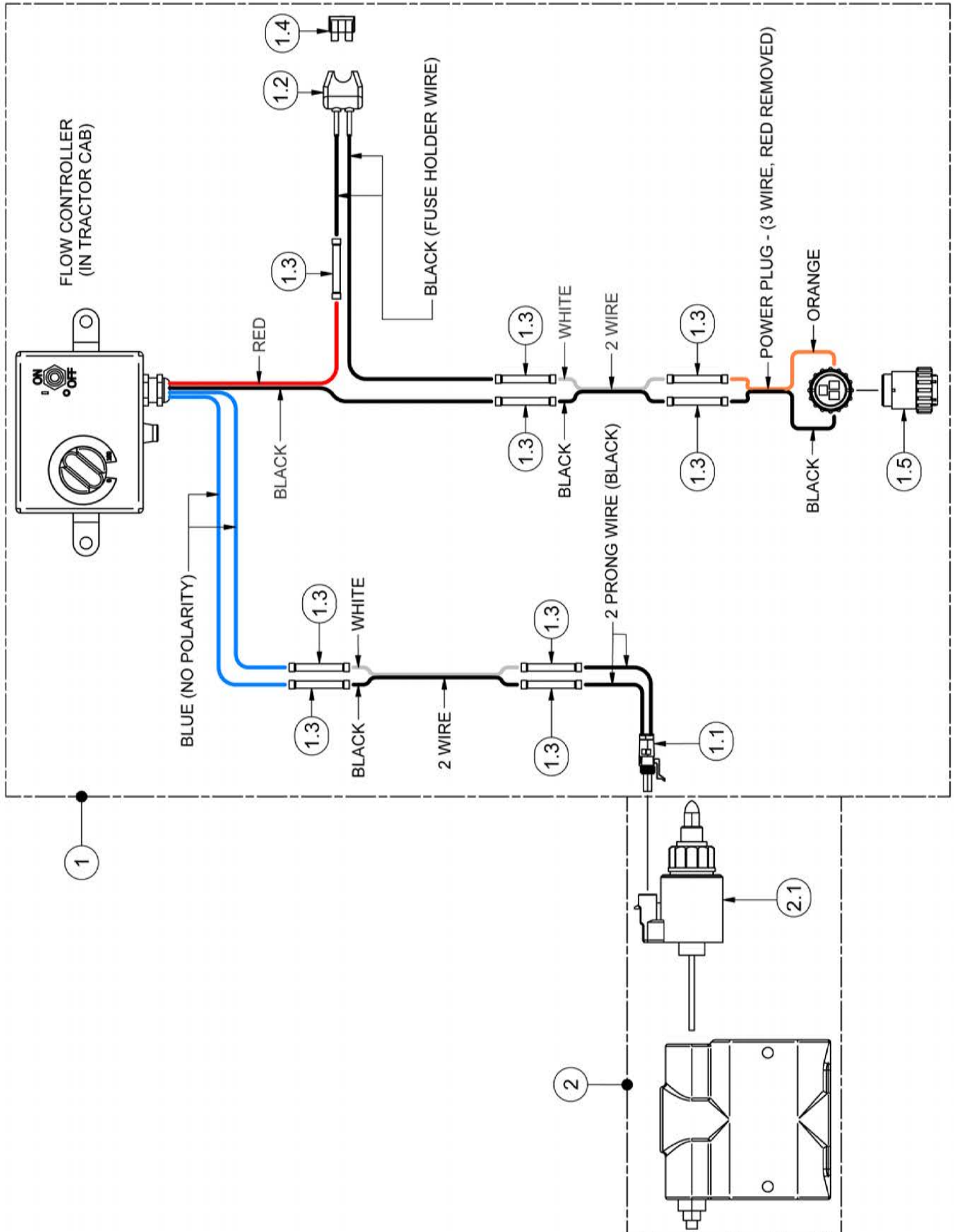
ITEM	QTY	PART NUMBER	DESCRIPTION	NOTE
1	2	HF 8010-4	Quickcoupler 1/2" Male Tip	
2	1	30857	Flow Control Valve - 3/4"	
3	1	37976	Electric Flow Control	Brkdwn <a href="#">Pg.3-22</a>
4	1	HF 5604-12-12	3/4 FNPT X 1/2 MNPT Branch Tee	
5	1	HF 2404-8-12	Hydraulic Fitting - Union	
6	1	HF 2501-8-12	Hydraulic Elbow Fitting - MJIC-MNPT	
7	1	HF 6400-8-12	Hyd. Fitting	
8	1	HF 6801-8-12	Hyd. Fitting - 1/2" JIC - 3/4" 90 Degree Elbow	
9	1	HF 5502-12-12	Hyd. Fitting - 90 Deg. Elbow 12-12	
10	1	HF 5404-L-12-12	Hyd. Fitting 3/4" X 3/4" MNPT Hex Nipple 3" Long	
11	1	HF 6405-12-12	Hydraulic Fitting - Male SAE-ORB to Female NPT	
12	2	30661	1/2" Hydraulic Hose (8FJX,8MP) - 69"	
13	2	37987	1/2" Hydraulic Hose (8FJX,8FJX) - 73"	

## Flow Control Hydraulic Layout - Electric (Current)



ITEM	QTY	PART NUMBER	DESCRIPTION	NOTE
1	1	30857	Flow Control Valve - 3/4"	
2	1	37976	Electric Flow Control	Brkdwn <a href="#">Pg.3-22</a>
3	1	HF 2406-12-8	Hydraulic Adapter Fitting JIC	
4	1	HF 6804-12-12-12	Hydraulic Tee Fitting - SAE-ORB - MJICs	
5	1	HF 2404-8-12	Hydraulic Fitting - Union	
6	1	HF 6400-8-12	Hyd. Fitting	
7	1	HF 6500-L-12-12-FG	MJ-FJS 90° Elbow Long	
8	1	HF 6505-12-12	Male Pipe To Female JIC Swivel	
9	1	HF 6801-8-12	Hyd. Fitting - 1/2" JIC - 3/4" 90 Degree Elbow	
10	2	HF 8010-4	Quickcoupler 1/2" Male Tip	
11	2	30661	1/2" Hydraulic Hose (8FJX,8MP) - 69"	
12	2	37987	1/2" Hydraulic Hose (8FJX,8FJX) - 73"	

# Electric Flow Control Wiring

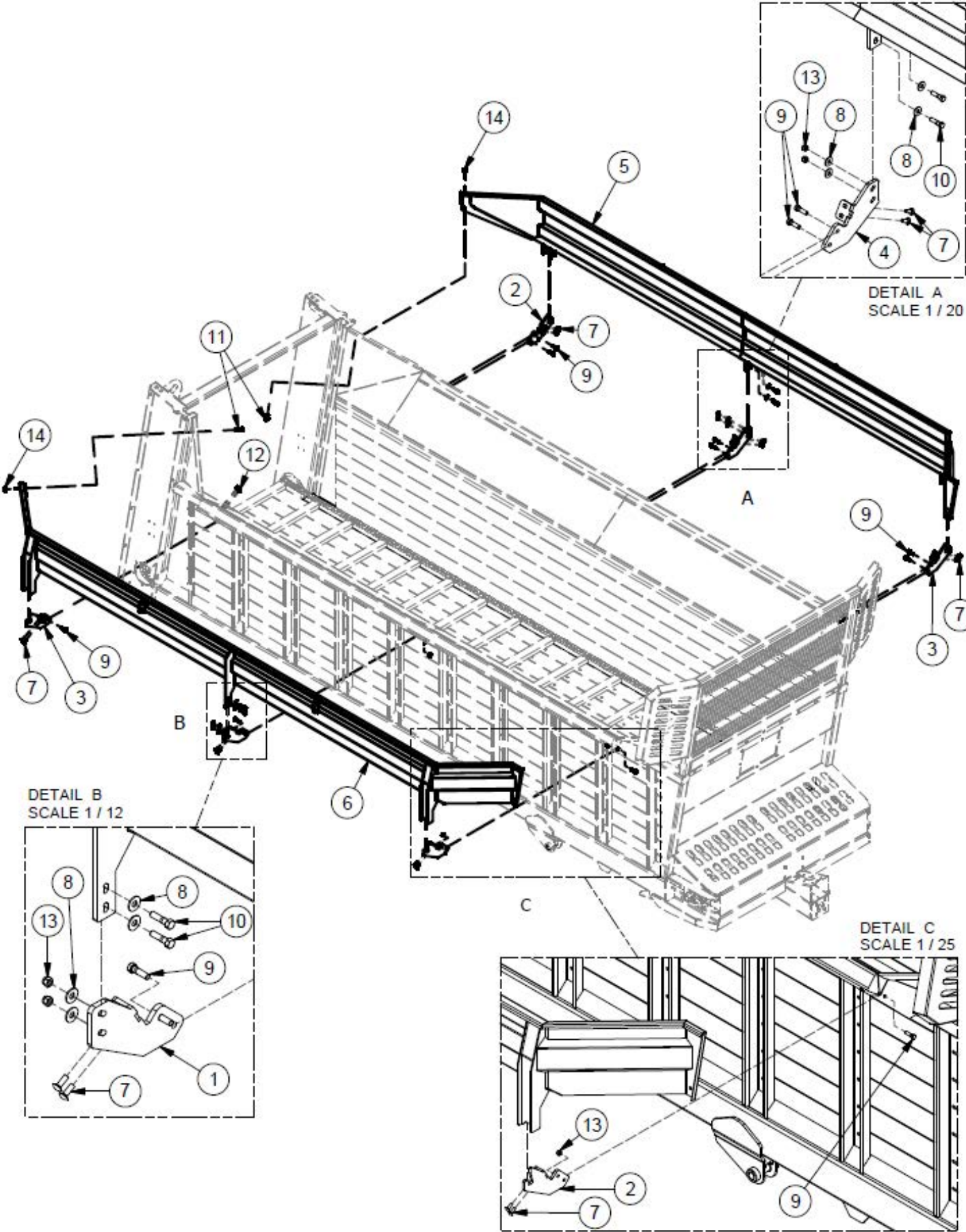


## Electric Flow Control Wiring

ITEM	QTY	PART NUMBER	DESCRIPTION
1	1	45344	Electric Flow Controller
1.1	1	37970	2 Prong Plug
1.2	1	TL82-2164	Fuse Holder
1.3	9	EL23662	Wire Connector
1.4	1	TL550-100-079	15 AMP Fuse
1.5	2	TB109-110-307	Power Plug
2	1	45345	Electric Flow Control
2.1	1	37968	Solenoid



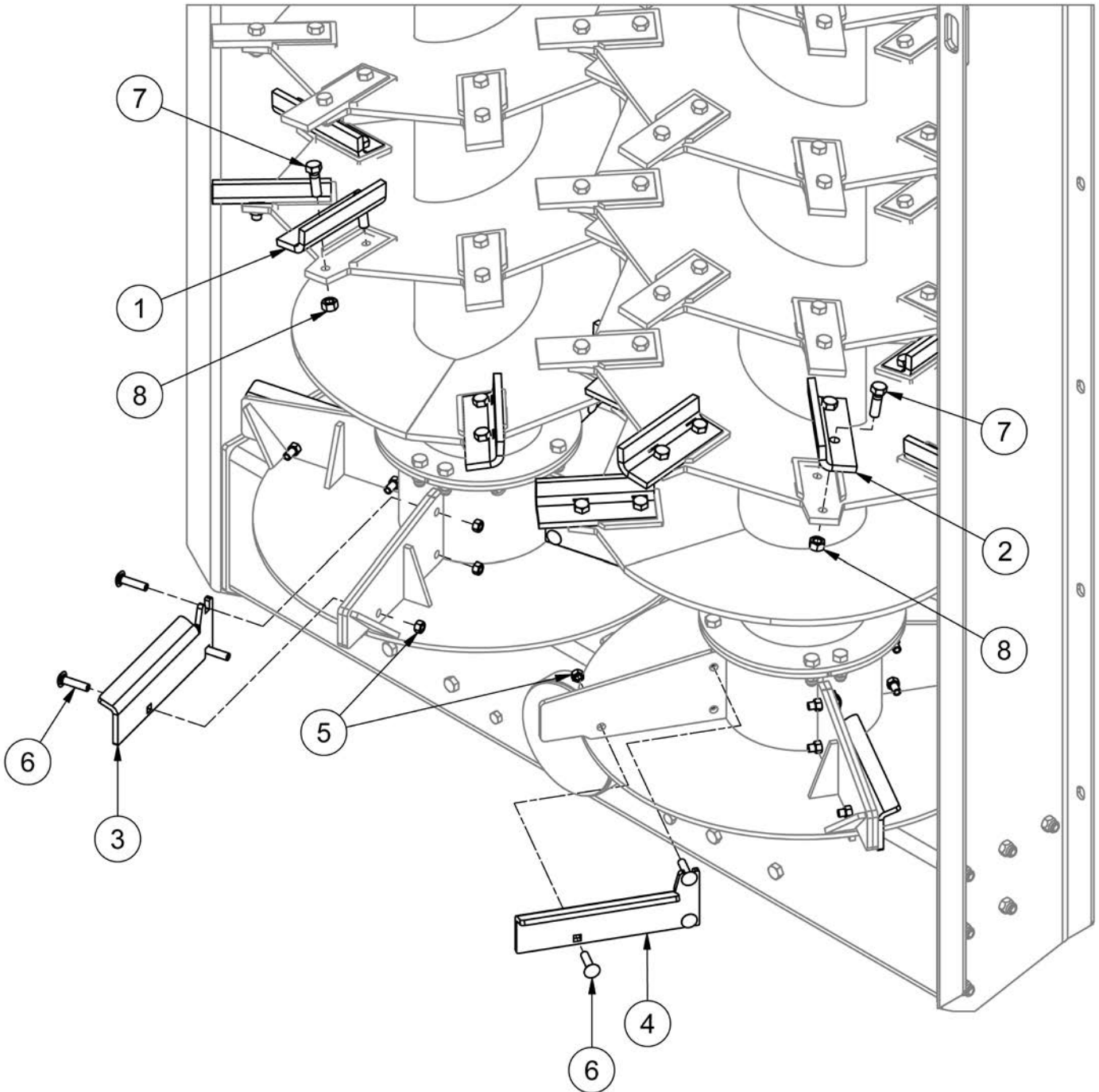
# Silage Sides - TLVSSE750



## Silage Sides - TLVSSE750

ITEM	QTY	PART NUMBER	DESCRIPTION
1	1	31687	Inner Extension Mount
2	2	31919	Outer Extension Mount
3	2	31984	Extension Mount
4	1	700-623	Side Extension Mount
5	1	700-624	Left Side Extension
6	1	700-625	Right Side Extension
7	12	CB 7/16-14X1.1/4Z5	Carriage Bolt - 7/16-14 x 1 1/4" Grade 5 Zinc
8	14	FW 1/2	Flatwasher - 1/2" Zinc Plated USS
9	12	HB 1/2-13X1.3/4 Z5	Hex Bolt Plated - 1/2"-13 x 1-3/4" Zinc Finish Gr. 5 NC
10	9	HB 1/2-13X2.0 Z5	Hex Bolt 1/2-13 x 2" Grade 5 Zinc Plated Hex Cap Screw NC
11	2	HB 5/8-11X1.3/4 Z5	Hex Bolt - 5/8"-11 x 1-3/4" Grade 5 Zinc Plated Hex Cap Screw NC
12	23	LN 7/16	Center Locknuts - 7/16-14 Top Lock Nut
13	31	LN 1/2 N	Locknuts - 1/2-13 Zinc Plated Nylon Insert Lock Nut
14	2	LN 5/8 N	Locknut - 5/8-11 Zinc Plated Nylon Insert Lock Nut

# Flange Paddle Kit - 41503

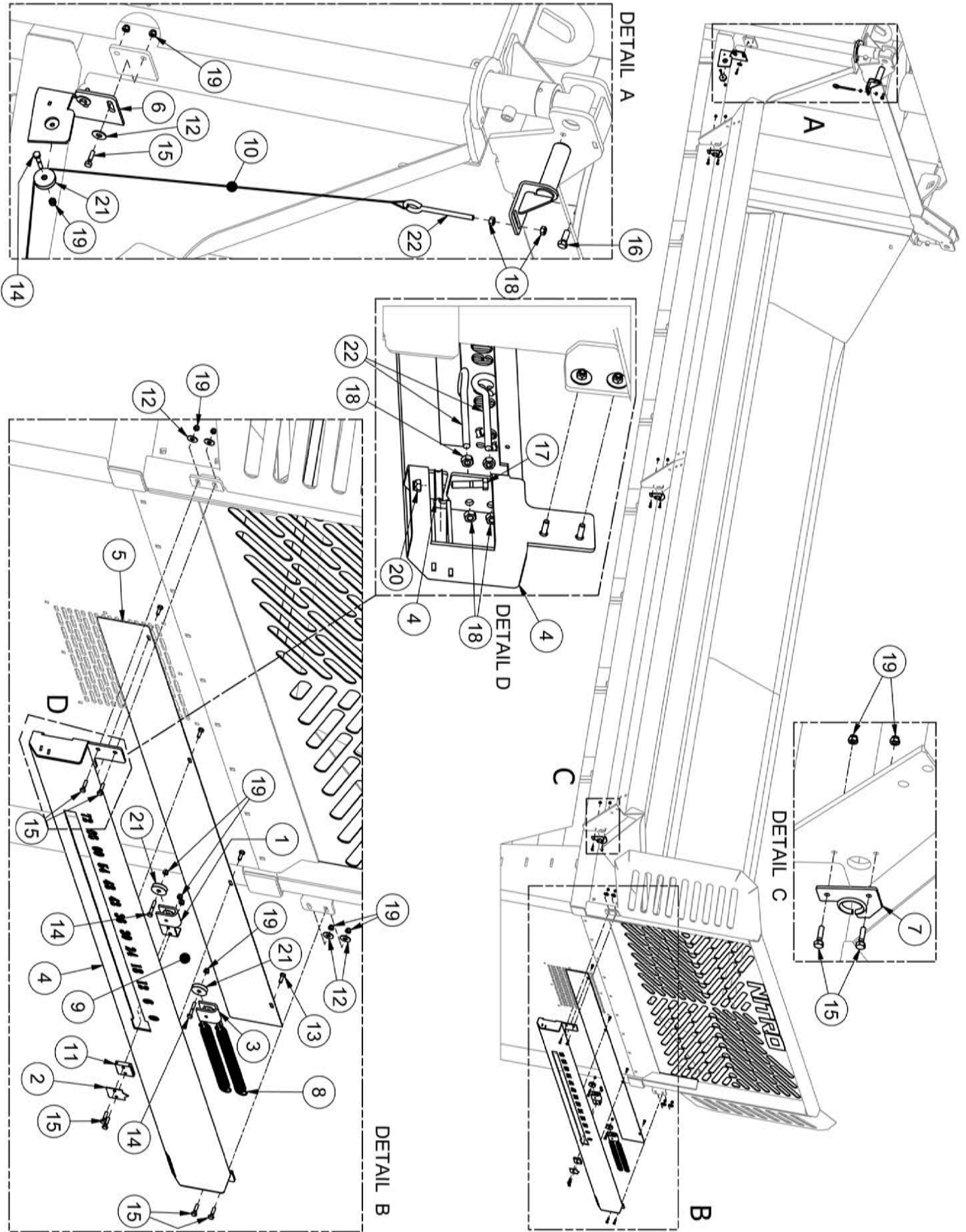


## Flange Paddle Kit - 41503

ITEM	QTY	PART NUMBER	DESCRIPTION
1	8	36518	Beater Paddle (Cupped) Left
2	8	37718	Beater Paddle (Cupped) Right
3	4	36020	Spinner Paddle (Cupped) Left
4	4	37514	Spinner Paddle (Cupped) Right
5	24	LN1/2-13TCZ5	LN1/2-13 Gr.C Zinc Top Lock Nut
6	24	CB1/2-13X2CZ5	Carriage Bolt - 1/2-13 x 2" Grade 5 Zinc
7	32	HB5/8-11X2Z5	Hex Bolt 5/8-11x2 Grade 5 Zinc Plated Hex Cap Screw
8	32	LN5/8-11CCZA	Center Lock Nut 5/8"-11 Grade A Zinc Plated



# Endgate Indicator Kit - 45813



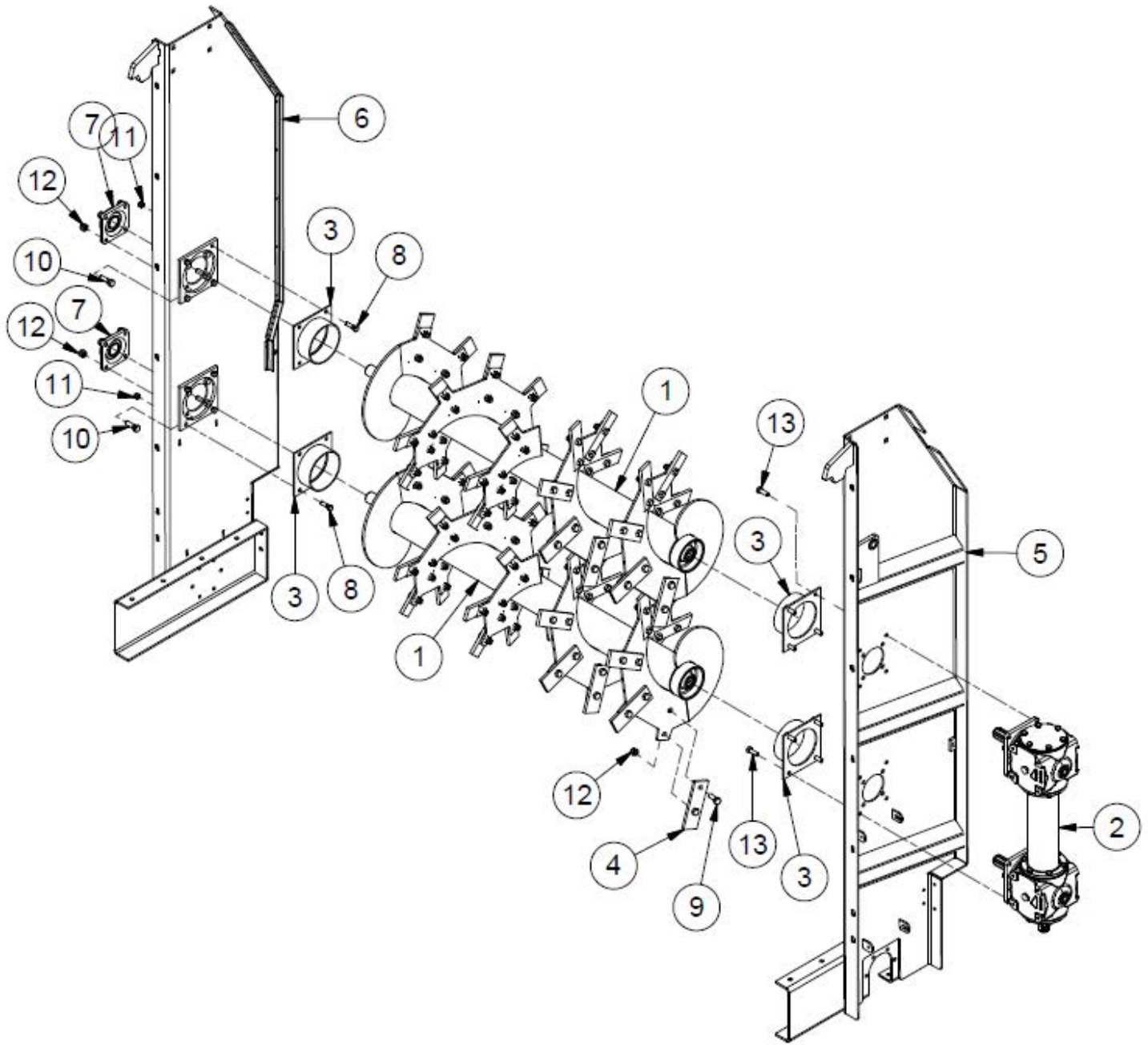


## Endgate Indicator Kit - 45813

ITEM	QTY	PART NUMBER	DESCRIPTION
1	1	45407	Indicator Slider Mount
2	1	45409	Indicator Arrow
3	1	45410	Spring Tensioner Pulley
4	1	45589	Indicator
5	1	45629	Indicator Back Panel
6	1	45812	Rear Pulley
7	3	45898	Indicator Wire Plate
8	2	46086	Spring 12.0 X 1.0 X .105
9	1	48203	Front Indicator Cable - .125" x 70"
10	1	48209	Side Indicator Cable - .125" x 355"
11	1	BF5000-183	Indicator Slide
12	6	FW 3/8	Flatwasher - 3/8" Zinc Plated USS
13	4	HB1/4-20X0.75Z5	Hex Bolt 1/4-20x3/4 Grade 5 Zinc Plated Hex Cap Screw
14	3	HB1/4-20X1.5Z5	Hex Bolt 1/4-20x1 1/2 Grade 5 Zinc Plated Hex Cap Screw
15	14	HB1/4-20X1Z5	Hex Bolt 1/4-20x1 Grade 5 Zinc Plated Hex Cap Screw
16	3	HB3/8-16X1Z5	Hex Bolt 3/8-16x1 Grade 5 Zinc Plated Hex Cap Screw
17	1	HB5/16-18X1.5Z5	Hex Bolt 5/16-18x1 1/2 Grade 5 Zinc Plated Hex Cap Screw
18	6	HN5/16-18CZ5	Hex Nut 5/16"-18 Grade 5 Zinc Plated Finished
19	17	LN1/4-20NCZ5	LN 1/4-20 Zinc Plated Nylon Insert Lock Nut
20	3	LN5/16-18NCZ5	LN 5/16-18 Zinc Plated Nylon Insert Lock Nut
21	3	PP00423	Pulley
22	3	PP00682	Eye Bolt - 5/16-18 x 4" Shank Zinc Plated Turned

# Section 4: Poultry Beater

## Poultry Beater (Original) - Beaters

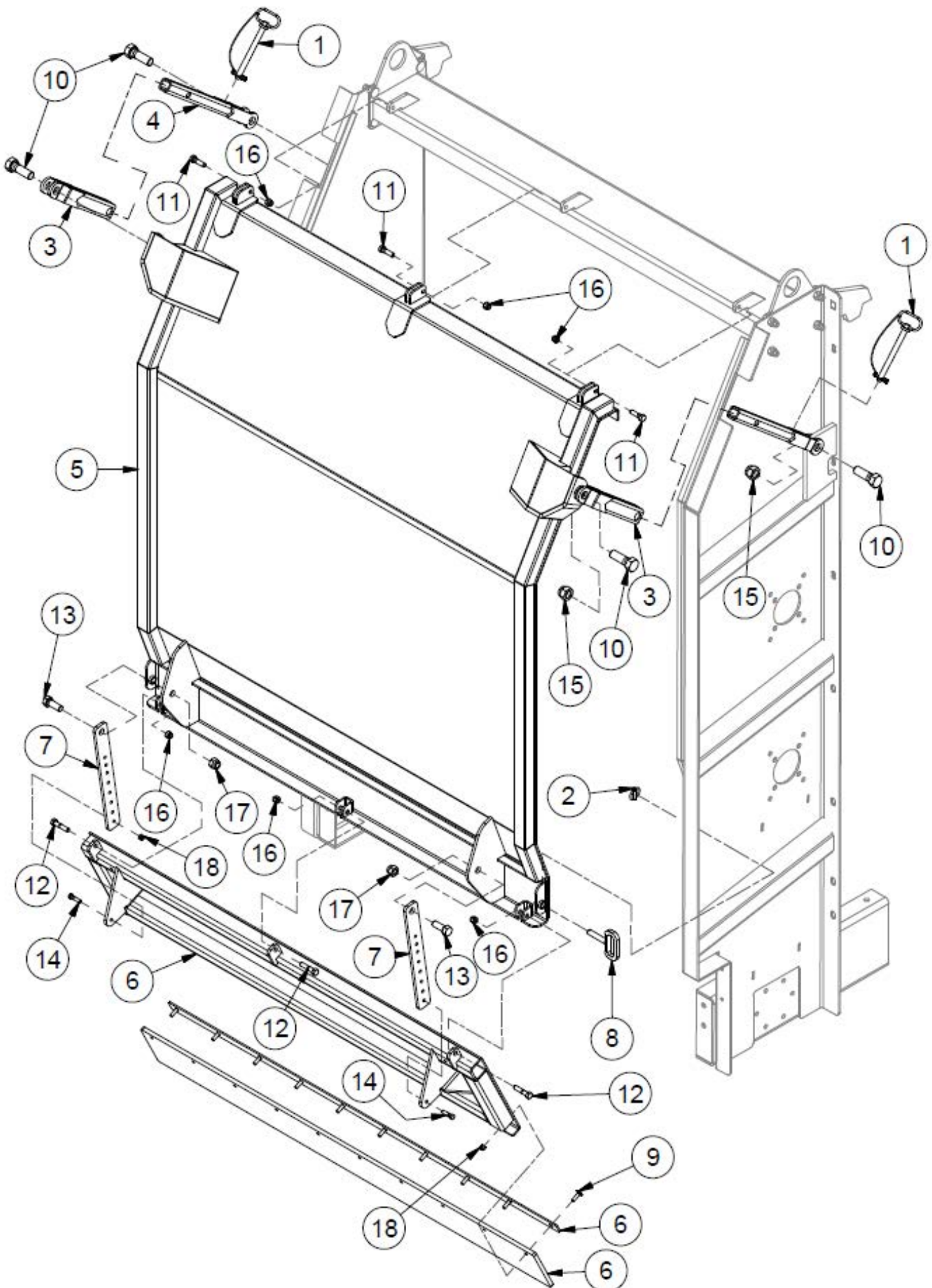


## Poultry Beater (Original) - Beaters

ITEM	QTY	PART NUMBER	DESCRIPTION
1	2	36755	Right Beater
2	2	37827	Horizontal Beater Gear Box
3	4	37936	Beater End Covers
4	58	400-438	Beater Paddle
5	1	40435	Left Side Compost Panel
6	1	40436	Right Side Compost Panel
7	2	BEA UCF209-28R3	Flange Bearing -Triple Seal- Ductile Iron
8	8	HB 1/2-13X1.3/4 Z5	Hex Bolt Plated - 1/2"-13 x 1-3/4" Zinc Finish SAE J429 Gr. 5 NC
9	116	HB 5/8-11X1.3/4 Z5	Hex Bolt - 5/8"-11 x 1-3/4" Grade 5 Zinc Plated Hex Cap Screw NC
10	8	HB 5/8-11X2.0 Z5	Hex Bolt 5/8-11 x 2 Grade 5 Zinc Plated Hex Cap Screw NC
11	8	LN 1/2 N	Locknuts - 1/2-13 Zinc Plated Nylon Insert Lock Nut
12	124	LN 5/8 N	Locknut - 5/8-11 Zinc Plated Nylon Insert Lock Nut
13	8	M14X40X2.0	Metric Bolt

*Specify Manure Spreader serial no. when ordering replacement parts.*

# Poultry Beater (Original) - Endgate



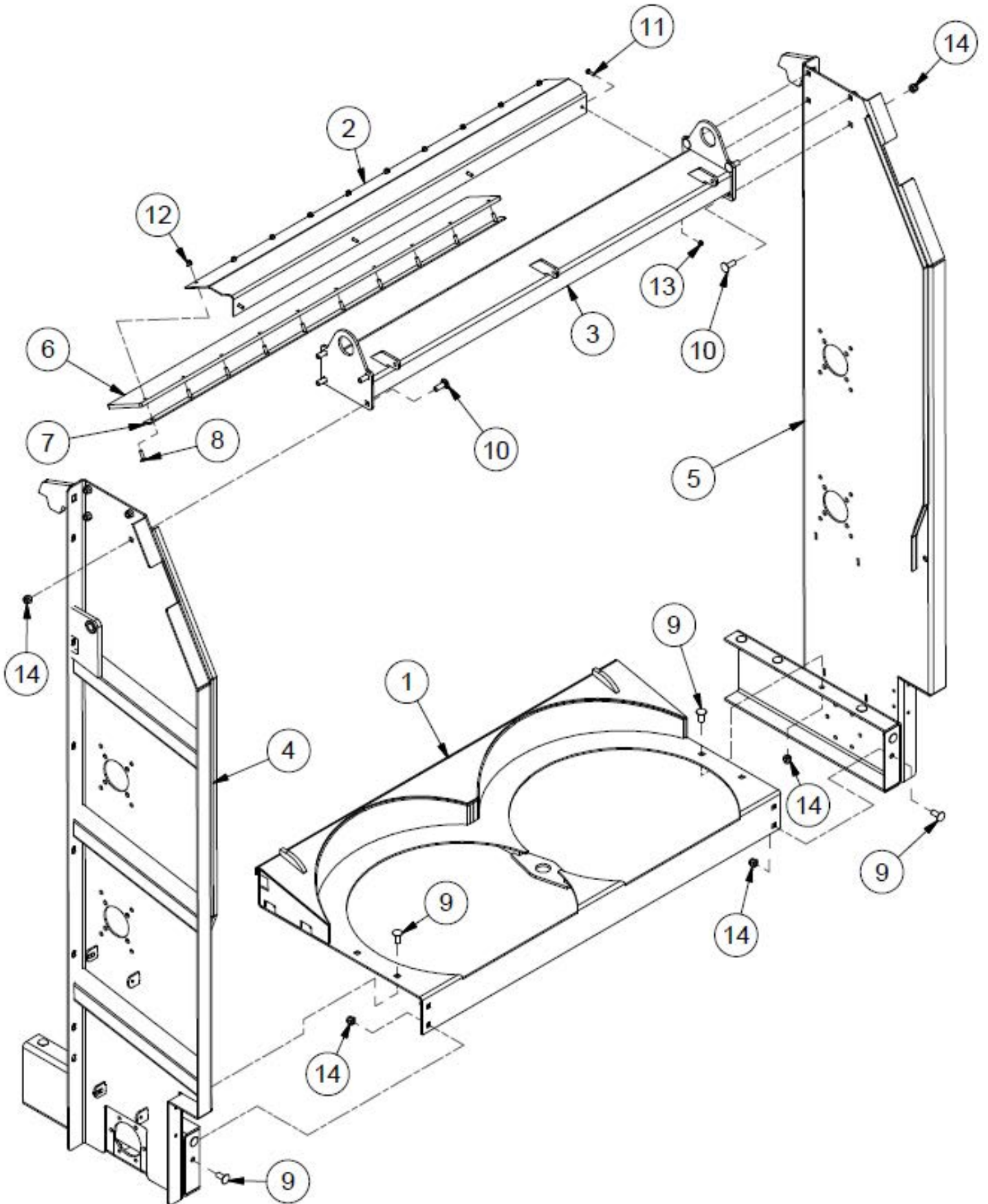
## Poultry Beater (Original) - Endgate

ITEM	QTY	PART NUMBER	DESCRIPTION
1	2	25522	Hitch Pin 5/8 x 6.5
2	2	25680	Lynch Pin 3/16 x 1.5
3	2	40389	Sliding Hinge Clevis
4	2	40393	Sliding Hinge Arm
5	1	40400	Complete Rear Compost Cover
6	1	40416	Bottom Adjustable Flip
7	2	40428	Rear Gate Adjuster Bar
8	2	40469	Poultry Beater Rear Pin
9	10	CB 3/8-16 X1.25 Z5	Carriage Bolt - 3/8-16 x 1 1/4" Grade 5 Zinc
10	4	HB 1-8X3 Z5	Hex Bolt 1-8x3 Grade 5 Zinc Plated Hex Cap Screw
11	2	HB 1/2-13X1.75 Z5	Hex Bolt 1/2-13x1 3/4 Grade 5 Zinc Plated Hex Cap Screw
12	3	HB 1/2-13X2.25 Z5	Hex Bolt 1/2-13x2 1/4 Grade 5 Zinc Plated Hex Cap Screw
13	2	HB 3/4-10X2 Z5	Hex Bolt 3/4-10x2 Grade 5 Zinc Plated Hex Cap Screw
14	2	HB 3/8-16X1.5 Z5	Hex Bolt 3/8-16x1 1/2 Grade 5 Zinc Plated Hex Cap Screw
15	4	LN 1 N	LN 1-8 Zinc Plated Nylon Insert Lock Nut
16	5	LN 1/2 N	LN 1/2-13 Zinc Plated Nylon Insert Lock Nut
17	2	LN 3/4 N	LN 3/4-10 Zinc Plated Nylon Insert Lock Nut
18	12	LN 3/8 N	LN 3/8-16 Zinc Plated Nylon Insert Lock Nut

*Specify Manure Spreader serial no. when ordering replacement parts.*



# Poultry Beater (Original) - Frame

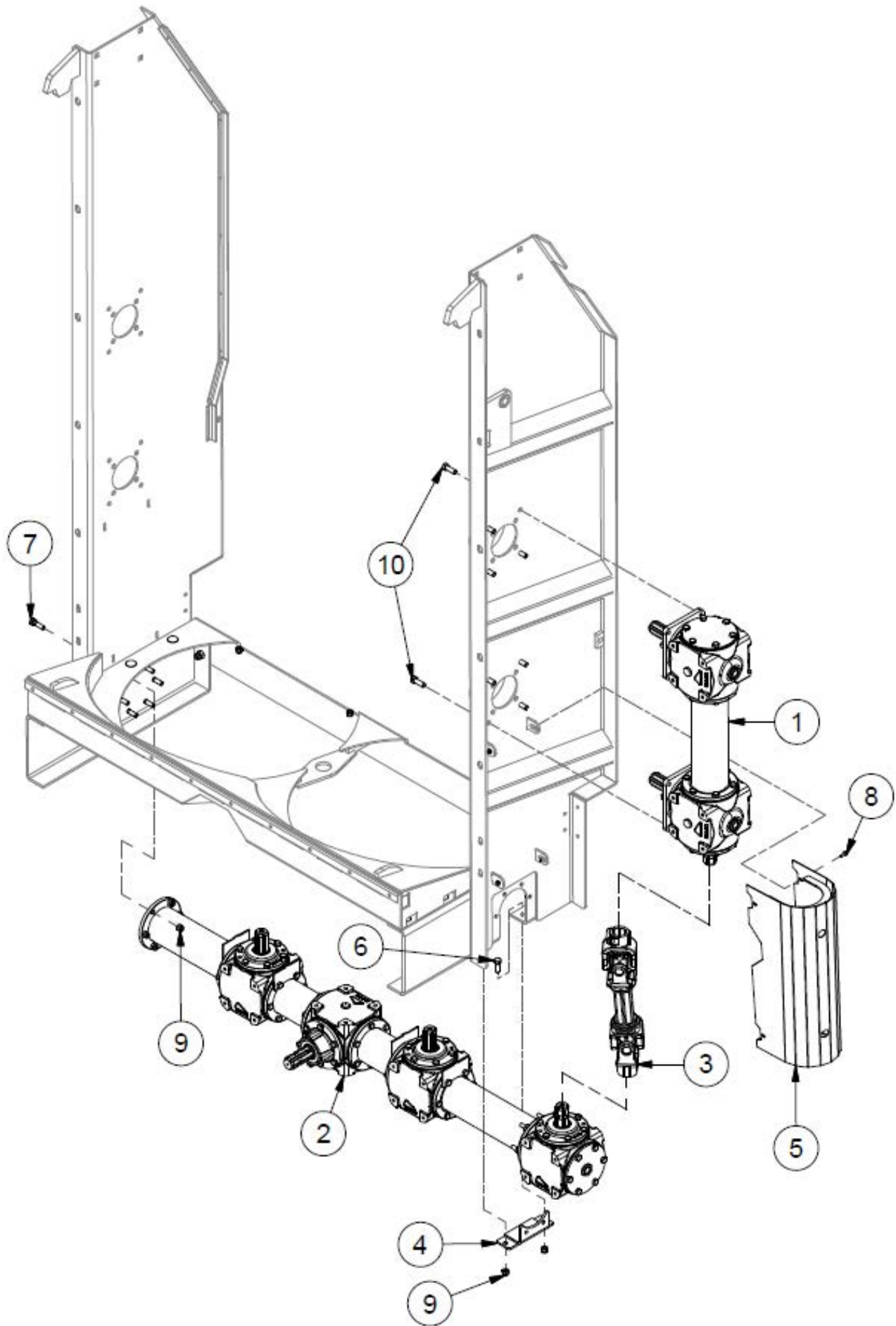


## Poultry Beater (Original) - Frame

ITEM	QTY	PART NUMBER	DESCRIPTION
1	1	36754	Complete Spinner Shroud Assembly
2	1	39276	Upper Beater Shield Mount
3	1	40424	Top Beam Poultry Spreader
4	1	40435	Left Side Compost Panet
5	1	40436	Right Side Compost Panet
6	2	700-101	2 Ply Rubber Belt-V750 (7.0x66.38)
7	2	700-103	Rubber Hold Down
8	10	CB 3/8-16X1.1/4 Z5	Carriage Bolt - 3/8"-16 x 1-1/4" Zinc Finish SAE J429 Grade 5 Round Head
9	8	CB 5/8-11X1.1/2 Z5	Carriage Bolt - 5/8-11 x 1-1/2" Grade 5 Zinc
10	8	CB 5/8-11X1.3/4 Z5	Carriage Bolt - 5/8-11 x 1-3/4" Grade 5 Zinc
11	4	HB 5/16-18X1.0 Z5	Hex Bolt 5/16-18 x 1" Grade 5 Zinc Plated Hex Cap Screw NC
12	10	LN 3/8 N	Locknuts - 3/8-16 Zinc Plated Nylon Insert Lock Nut
13	4	LN 5/16 N	Locknut - 5/16-18 Type NE Zinc Plated Nylon Insert
14	16	LN 5/8 N	Locknut - 5/8-11 Zinc Plated Nylon Insert Lock Nut

*Specify Manure Spreader serial no. when ordering replacement parts.*

# Poultry Beater (Original) - Drivelines

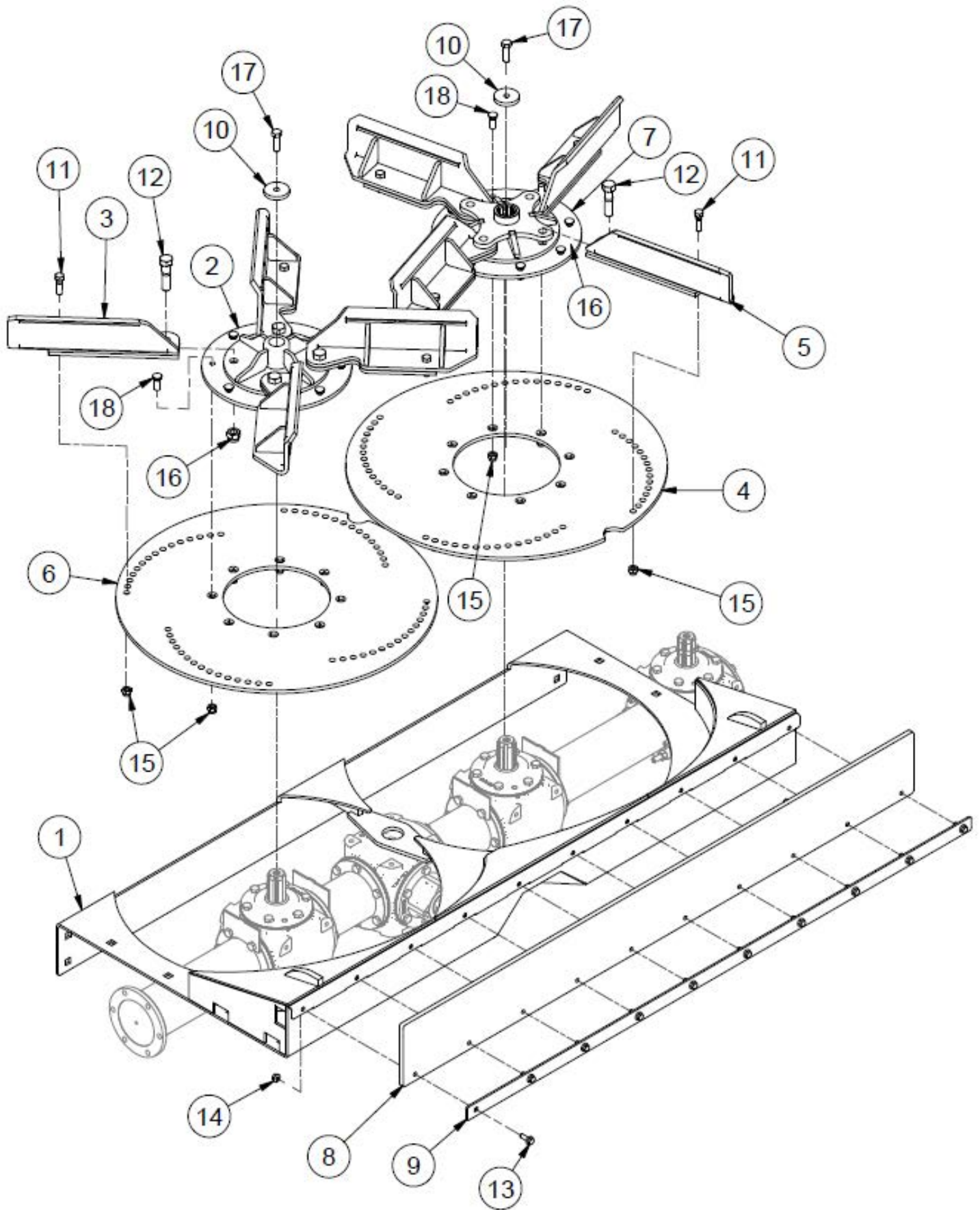


## Poultry Beater (Original) - Drivelines

ITEM	QTY	PART NUMBER	DESCRIPTION
1	1	37827	Gear Box- Side Poultry
2	1	37828	Gear Box- Lower Poultry
3	2	39998	PTO Cross Drive Shaft
4	1	40453	Bottom Gear Box Bracket
5	1	40454	PTO Shield
6	2	HB 1/2-13X1.1/2 Z5	Hex Bolt 1/2-13 x 1 1/2" Grade 5 Zinc Plated Hex Cap Screw NC
7	12	HB 1/2-13X1.3/4 Z5	Hex Bolt Plated - 1/2"-13 x 1-3/4" Zinc Finish SAE J429 Gr. 5 NC
8	4	HBC14X34	Hex Bolt - 1/4-20 x 3/4 Grade 8.2 Zinc Flange Bolt SAE
9	14	LN 1/2 N	Locknuts - 1/2-13 Zinc Plated Nylon Insert Lock Nut
10	8	M14X40X2.0	Metric Bolt

*Specify Manure Spreader serial no. when ordering replacement parts.*

# Poultry Beater (Original) - Spinners



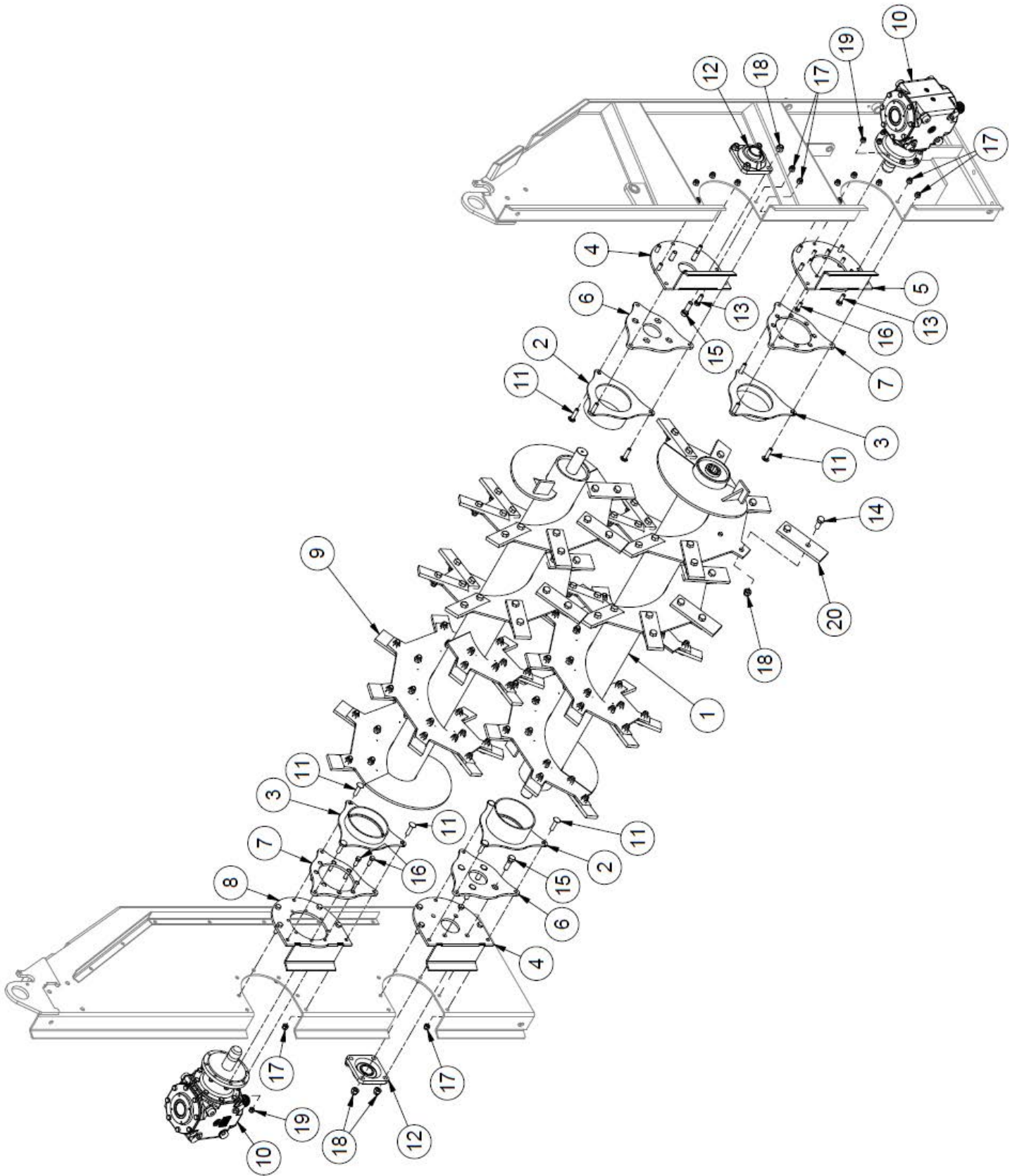


## Poultry Beater (Original) - Spinners

ITEM	QTY	PART NUMBER	DESCRIPTION
1	1	36754	Complete Spinner Shroud
2	1	37862	RH Spinner Weldment
3	4	37880	Right Paddle
4	1	37881	Left Spinner Plate
5	4	37882	Left Paddle
6	1	37902	Right Spinner Plate
7	1	43680	LH Spinner Weldment
8	3	700-101	Rubber Endgate Seal
9	2	700-103	Rubber Hold Down
10	2	700-157	Load Bearing Washer
11	8	HB 1/2-13X1.75 Z5	Hex Bolt 1/2-13x1 3/4 Grade 5 Zinc Plated Hex Cap Screw
12	8	HB 3/4-10X3 Z5	Hex Bolt 3/4-10x3 Grade 5 Zinc Plated Hex Cap Screw
13	10	HBC3/8X1	Hex Bolt Cerrated 3/8-16 x 1 Zinc Flange Bolt
14	10	HNC3/8	Serrated Hex Nut
15	24	LN 1/2 N	LN 1/2-13 Zinc Plated Nylon Insert Lock Nut
16	8	LN 3/4 N	LN 3/4-10 Zinc Plated Nylon Insert Lock Nut
17	2	M14X45X2	Metric Bolt
18	16	PB 1/2-13X1.5	Plow Bolts - 1/2-13 x 1 1/2 Flat Head Gr.5

*Specify Manure Spreader serial no. when ordering replacement parts.*

# Poultry Beater (Current) - Beaters

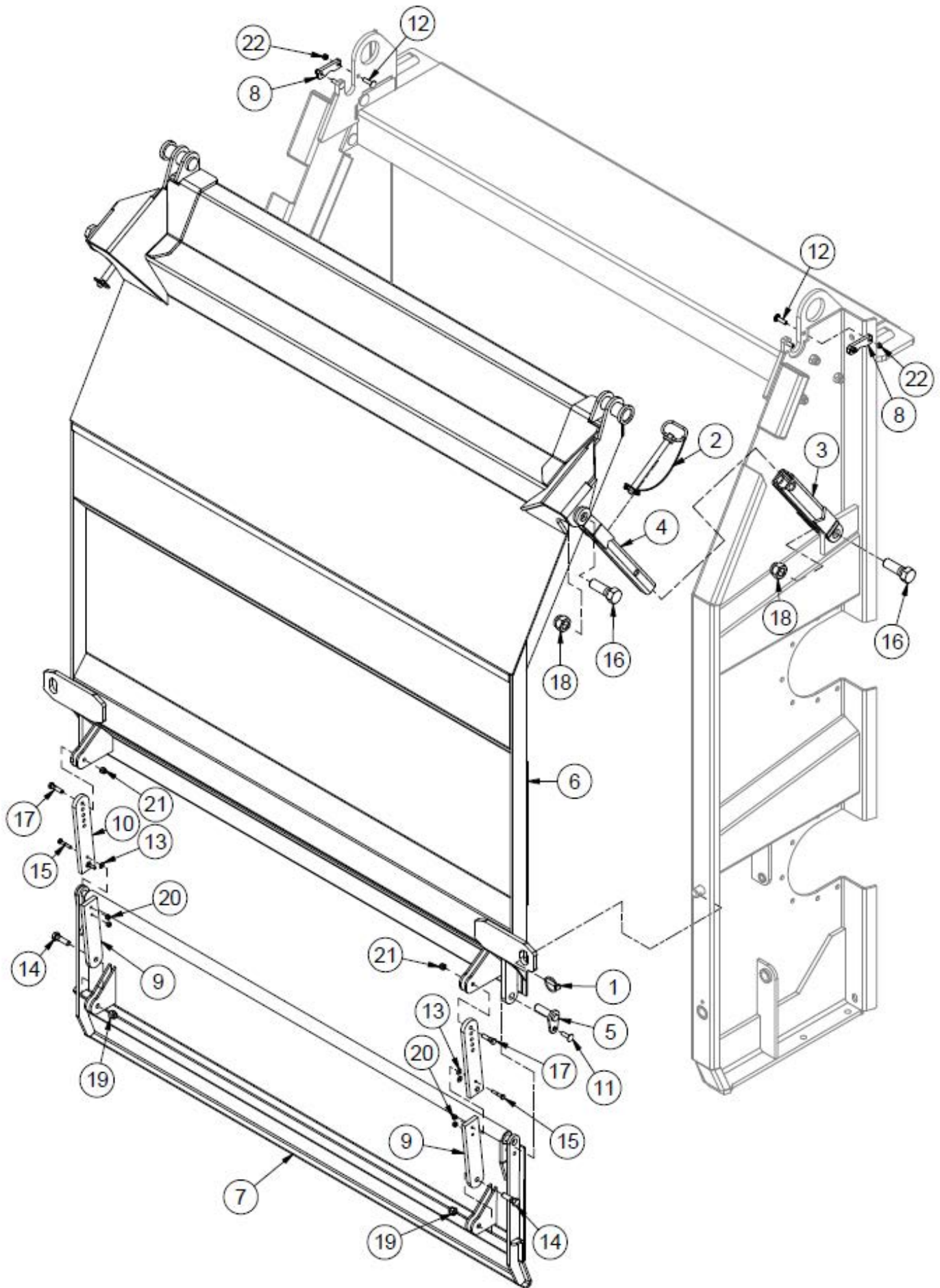


## Poultry Beater (Current) - Beaters

ITEM	QTY	PART NUMBER	DESCRIPTION
1	1	36755	Poultry Beater (750 and 950 Nitro)
2	2	42893	Gearbox Bearing Protector
3	2	42894	Bearing Protector
4	2	42895	Bearing Mount
5	1	42896	Left Gearbox Mount
6	2	42899	Flange Bearing Protector
7	2	42960	Bearing Cover Plate
8	1	43017	Right Gearbox Mount
9	1	43018	Upper Poultry Beater
10	2	45004	T279A Gearbox (50HP)
11	12	CB 1/2-13 X2 Z5	Carriage Bolt - 1/2-13 x 2" Grade 5 Zinc
12	2	BEA UCF209-28R3	Flange Bearing, Triple Seal, Ductile Iron
13	16	HB 1/2-13X1.5 Z5	Hex Bolt 1/2-13x1 1/2 Grade 5 Zinc Plated Hex Cap Screw
14	112	HB 5/8-11X1.75 Z5	Hex Bolt 5/8-11x1 3/4 Grade 5 Zinc Plated Hex Cap Screw
15	12	HB 5/8-11X2 Z5	Hex Bolt 5/8-11x2 Grade 5 Zinc Plated Hex Cap Screw
16	16	HB 7/16-14X1.25 Z5	Hex Bolt 7/16-14x1 1/4 Grade 5 Zinc Plated Hex Cap Screw
17	28	LN 1/2 N	LN 1/2-13 Zinc Plated Nylon Insert Lock Nut
18	124	LN 5/8 N	LN 5/8-11 Zinc Plated Nylon Insert Lock Nut
19	16	LN 7/16 N	LN 7/16-14 Zinc Plated Nylon Insert Lock Nut
20	56	400-438	Beater Paddle

*Specify Manure Spreader serial no. when ordering replacement parts.*

# Poultry Beater (Current) - Endgate



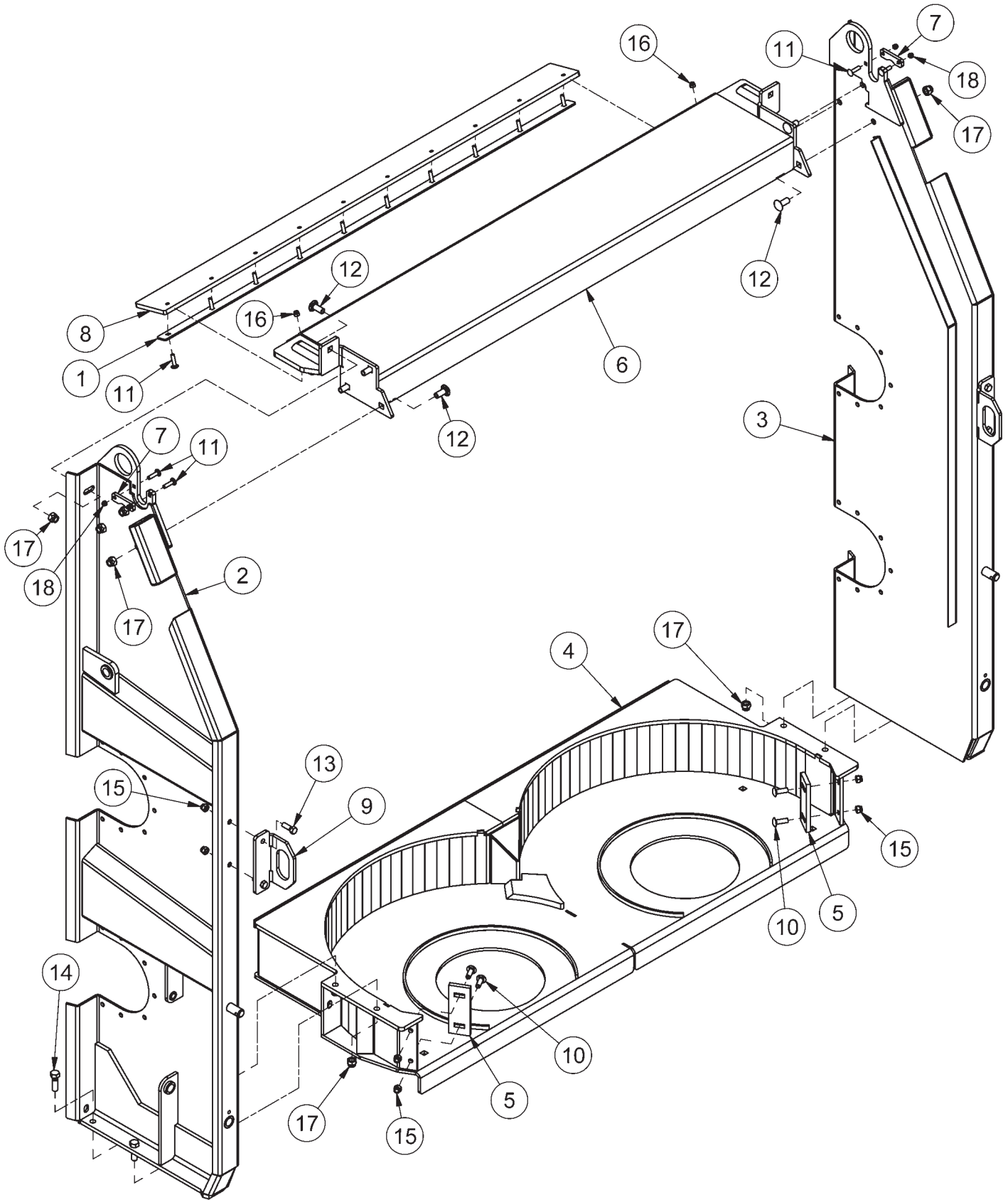
## Poultry Beater (Current) - Endgate

ITEM	QTY	PART NUMBER	DESCRIPTION
1	2	28940	Lynch Pin - 3/8 X 1-3/4"
2	2	25522	Hitch Pin 5/8 X 6.5
3	2	40389	Sliding Hinge Celvis Assembly
4	2	40393	Sliding Hinge Arm Assembly
5	2	42863	Gate Pin
6	1	42864	Back Gate
7	1	42865	Bottom Back Gate
8	2	42898	End Gate Retainer
9	2	42961	Bottom Shear Plate
10	2	42962	Upper Shear Plate
11	2	CB 3/8-16 X1.25 Z5	Carriage Bolt - 3/8-16 x 1 1/4" Grade 5 Zinc
12	4	CB 3/8-16 X1.375 Z5	Carriage Bolt - 3/8-16 x 1 3/8" Grade 5 Zinc
13	4	FW 1/4	Flatwasher - 1/4" Zinc Plated USS
14	2	HB 1/2-13X1.75 Z5	Hex Bolt 1/2-13x1 3/4 Grade 5 Zinc Plated Hex Cap Screw
15	4	HB 1/4-20X1.5 Z5	Hex Bolt 1/4-20x1 1/2 Grade 5 Zinc Plated Hex Cap Screw
16	4	HB 1-8X3 Z5	Hex Bolt 1-8x3 Grade 5 Zinc Plated Hex Cap Screw
17	2	HB 3/8-16X1.5 Z5	Hex Bolt 3/8-16x1 1/2 Grade 5 Zinc Plated Hex Cap Screw
18	4	LN 1 N	LN 1-8 Zinc Plated Nylon Insert Lock Nut
19	50	LN 1/2 N	LN 1/2-13 Zinc Plated Nylon Insert Lock Nut
20	4	LN 1/4 N	LN 1/4-20 Zinc Plated Nylon Insert Lock Nut
21	28	LN 3/8 N	LN 3/8-16 Zinc Plated Nylon Insert Lock Nut
22	4	LN 5/16 N	LN 5/16-18 Zinc Plated Nylon Insert Lock Nut

*Specify Manure Spreader serial no. when ordering replacement parts.*



# Poultry Beater (Current) - Frame

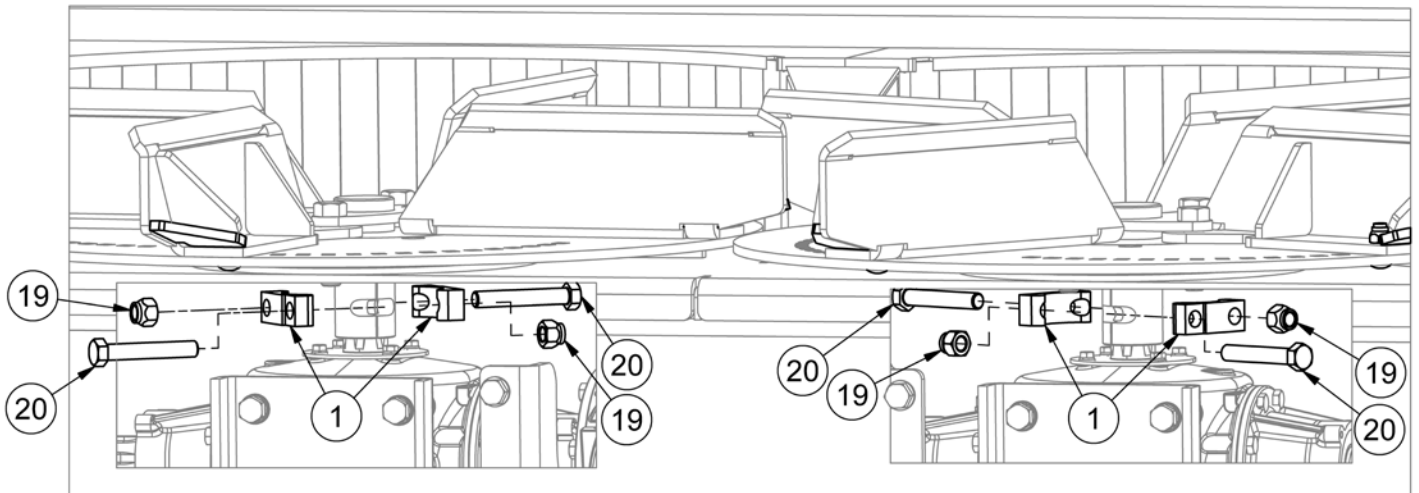
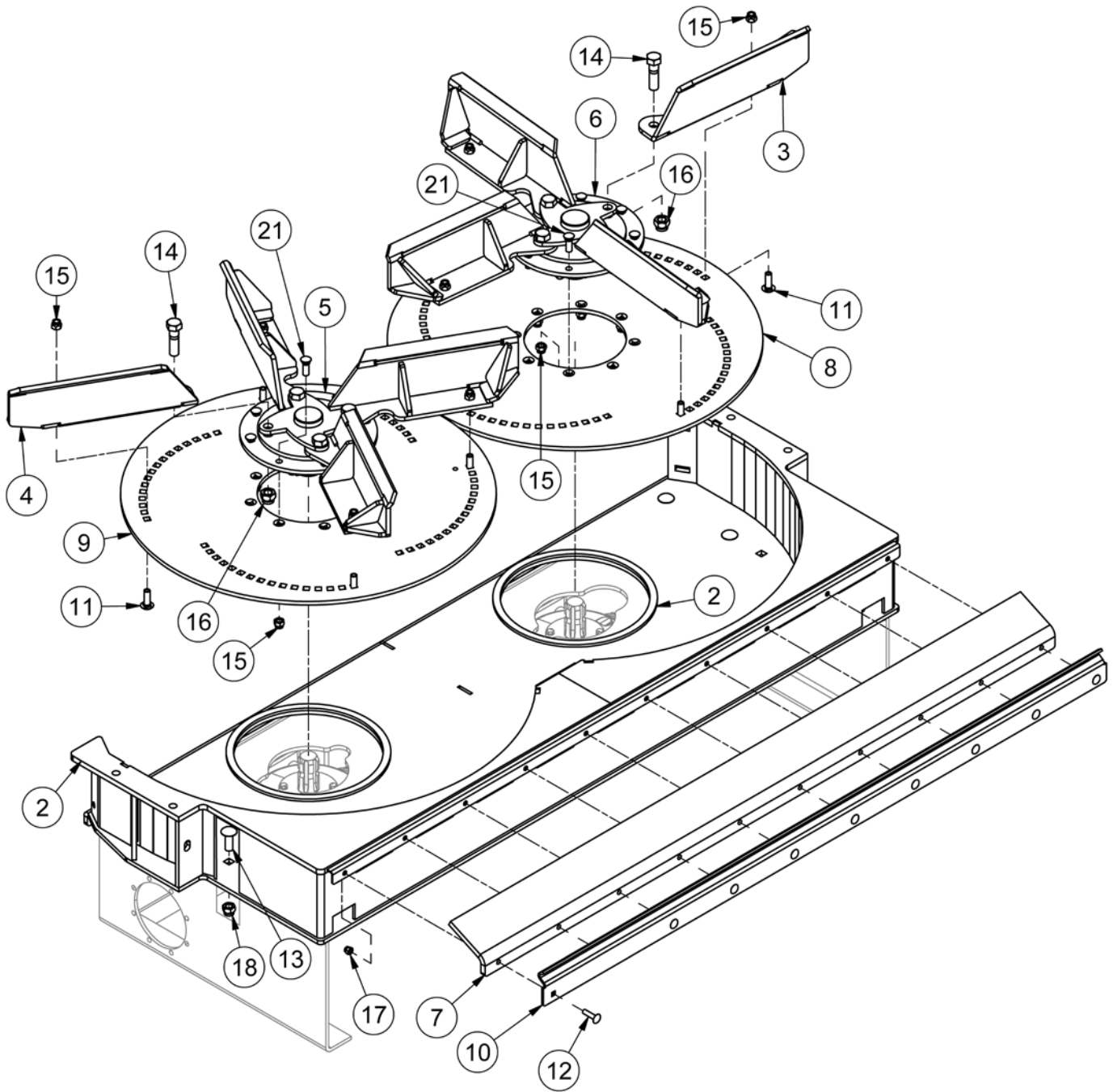


## Poultry Beater (Current) - Frame

ITEM	QTY	PART NUMBER	DESCRIPTION
1	1	700-103	Rubber Hold Down
2	1	42861	Poultry Beater Left Side
3	1	42862	Poultry Beater Right Side
4	1	42866	Spinner Pan
5	2	42888	Cutting Plate
6	1	42897	Top Cross Beam
7	2	42898	End Gate Retainer
8	1	43012	Top Rubber Seal
9	2	45829	Poultry Beater Hanger
10	4	CB1/2-13X1.5CZ5	Carriage Bolt - 1/2-13 x 1 1/2" Grade 5 Zinc
11	14	CB3/8-16X1.5CZ5	Carriage Bolt - 3/8-16 x 1 1/2" Grade 5 Zinc
12	8	CB5/8-11X1.5CZ5	Carriage Bolt - 5/8-11 x 1 1/2" Grade 5 Zinc
13	4	HB1/2-13X1.5Z5	Hex Bolt 1/2-13x1 1/2 Grade 5 Zinc Plated Hex Cap Screw
14	4	HB5/8-11X2Z5	Hex Bolt 5/8-11x2 Grade 5 Zinc Plated Hex Cap Screw
15	8	LN1/2-13NCZ5	LN 1/2-13 Zinc Plated Nylon Insert Lock Nut
16	10	LN3/8-16NCZ5	LN 3/8-16 Zinc Plated Nylon Insert Lock Nut
17	12	LN5/8-11NCZ5	LN 5/8-11 Zinc Plated Nylon Insert Lock Nut
18	4	LN5/16-18NCZ5	LN 5/16-18 Zinc Plated Nylon Insert Lock Nut

*Specify Manure Spreader serial no. when ordering replacement parts.*

# Poultry Beater (1st Change) - Spinners

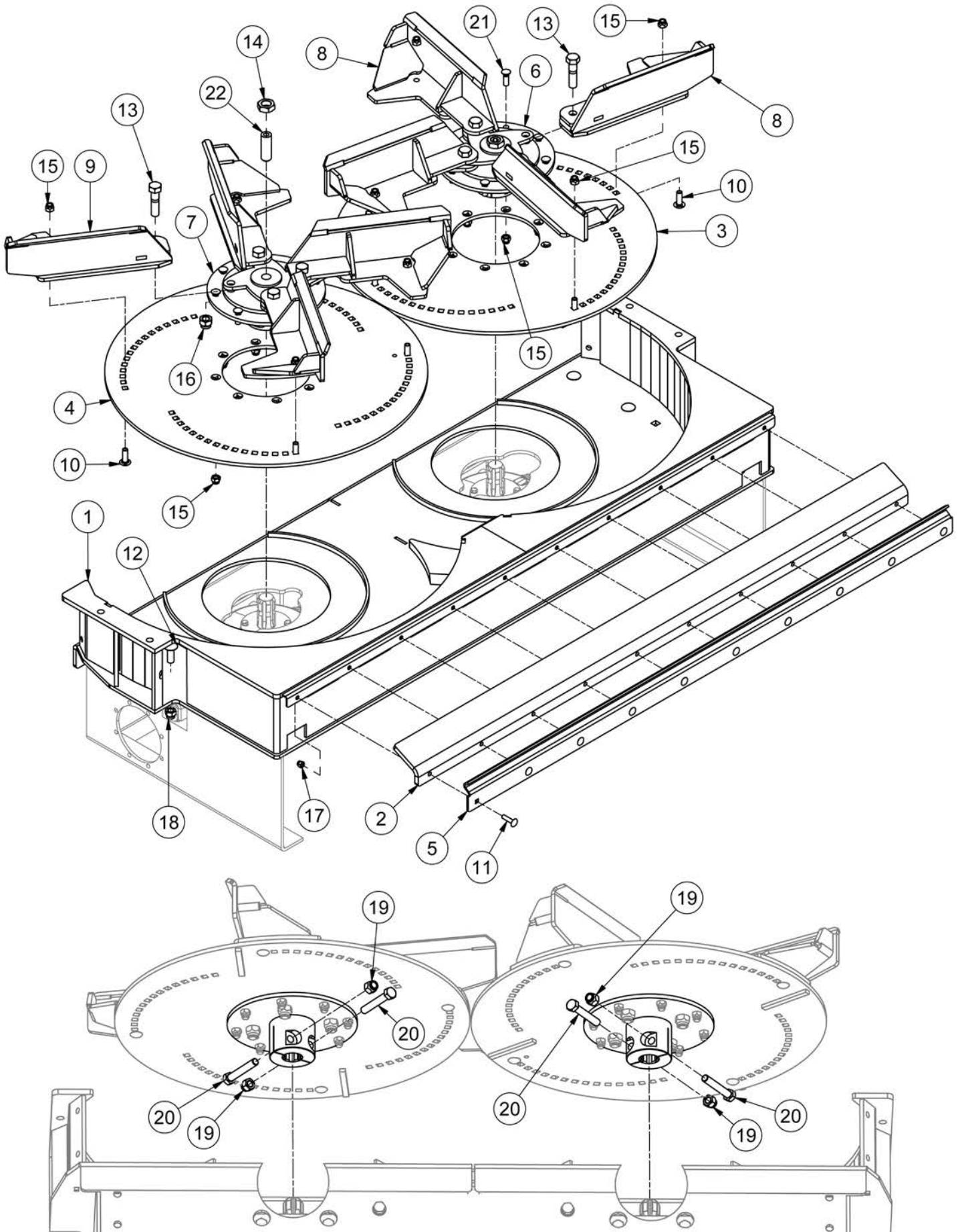


## Poultry Beater (1st Change) - Spinners

ITEM	QTY	PART NUMBER	DESCRIPTION
1	4	42790	PTO Clamp
2	1	42866	Spinner Pan
3	4	42868	Left Paddle
4	4	42869	Right Paddle
5	1	43015	Right Spinner Hub
6	1	43016	Left Spinner Hub
7	1	43813	Rubber Endgate Seal
8	1	43818	Left Spinner w/ Wiper
9	1	43819	Right Spinner w/ Wiper
10	1	45358	Poultry Scraper Guide
11	8	CB 1/2-13 X1.5 Z5	Carriage Bolt - 1/2-13 x 1 1/2" Grade 5 Zinc
12	10	CB 3/8-16 X1.5 Z5	Carriage Bolt - 3/8-16 x 1 1/2" Grade 5 Zinc
13	6	CB 5/8-11 X1.75 Z5	Carriage Bolt - 5/8-11 x 1 3/4" Grade 5 Zinc
14	8	HB 3/4-10X2.75 Z5	Hex Bolt 3/4-10x2 3/4 Grade 5 Zinc Plated Hex Cap Screw
15	24	LN 1/2 N	LN 1/2-13 Zinc Plated Nylon Insert Lock Nut
16	8	LN 3/4 N	LN 3/4-10 Zinc Plated Nylon Insert Lock Nut
17	10	LN 3/8 N	LN 3/8-16 Zinc Plated Nylon Insert Lock Nut
18	6	LN 5/8 N	LN 5/8-11 Zinc Plated Nylon Insert Lock Nut
19	4	LN M16-1.5NFZ8	M16-1.5 DIN 985 Class 8 Zinc Finish Steel Nylock Nut
20	4	M16X100X1.5	Metric Bolt
21	16	PB 1/2-13X1.5	Plow Bolts - 1/2-13 x 1 1/2 Flat Head Gr.5

*Specify Manure Spreader serial no. when ordering replacement parts.*

# Poultry Beater (Current) - Spinners

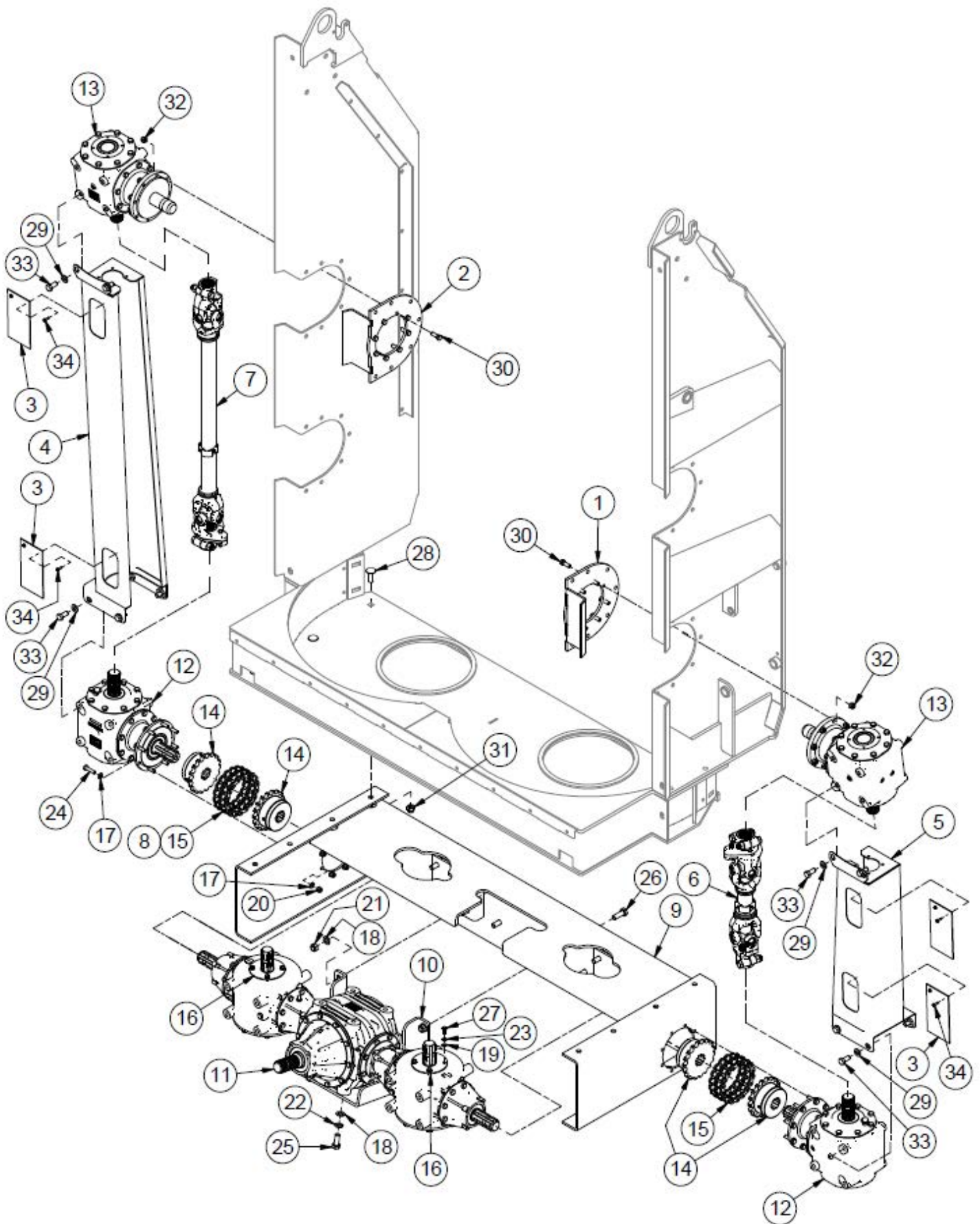




## Poultry Beater (Current) - Spinners

ITEM	QTY	PART NUMBER	DESCRIPTION
1	1	42866	Spinner Pan
2	1	43813	Rubber Endgate Seal
3	1	43818	Left Spinner w/ Wiper
4	1	43819	Right Spinner w/ Wiper
5	1	45358	Poultry Scraper Guide
6	1	45963	Left Spinner Hub
7	1	45964	Right Spinner Hub
8	4	46660	Left Spinner Paddle
9	4	46661	Right Spinner Paddle
10	8	CB1/2-13X1.5CZ5	Carriage Bolt - 1/2-13 x 1 1/2" Grade 5 Zinc
11	10	CB3/8-16X1.5CZ5	Carriage Bolt - 3/8-16 x 1 1/2" Grade 5 Zinc
12	6	CB5/8-11X1.75CZ5	Carriage Bolt - 5/8-11 x 1 3/4" Grade 5 Zinc
13	8	HB3/4-10X3Z5	Hex Bolt 3/4-10x3 Grade 5 Zinc Plated Hex Cap Screw
14	2	HNJ1.0-14FZ2	Hex Nut - 1-14 Zinc Plated Hex Jam Nut
15	24	LN1/2-13NCZ5	LN 1/2-13 Zinc Plated Nylon Insert Lock Nut
16	8	LN3/4-10NCZ5	LN 3/4-10 Zinc Plated Nylon Insert Lock Nut
17	10	LN3/8-16NCZ5	LN 3/8-16 Zinc Plated Nylon Insert Lock Nut
18	6	LN5/8-11NCZ5	LN 5/8-11 Zinc Plated Nylon Insert Lock Nut
19	4	LNM16-1.5NFZ8	M16-1.5 DIN 985 Class 8 Zinc Finish Steel Nylock Nut
20	4	M16X100X1.5	Metric Bolt
21	16	PB 1/2-13X1.5	Plow Bolts - 1/2-13 x 1 1/2 Flat Head Gr.5
22	2	SS 1-14X3	Allan Head Set Screw, 1-14 x 3

# Poultry Beater (Current) - Drivelines

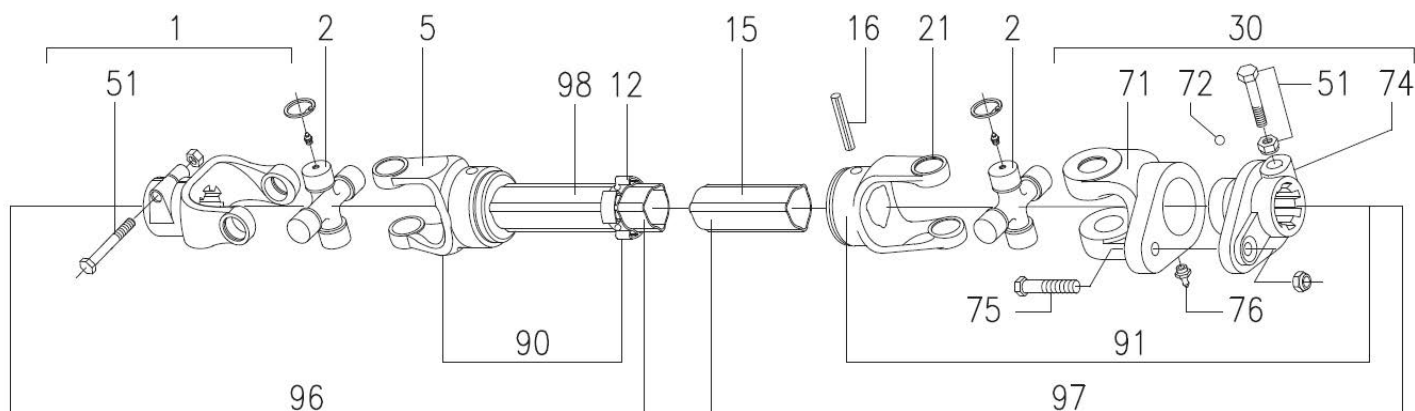


## Poultry Beater (Current) - Drivelines

ITEM	QTY	PART NUMBER	DESCRIPTION
1	1	42896	Left Gearbox Mount
2	1	43017	Right Gearbox Mount
3	4	43057	PTO Shield Grease Cover
4	1	43127	Right PTO Shield Assembly
5	1	43128	Left PTO Shield
6	1	43976	T60 Short Driveline
7	1	43977	T60 Long Driveline
8	4	45007	8018 Chain Coupler Cover
9	1	45000	T301B Frame
10	1	45001	T301B Gearbox Mount
11	1	45002	T301B Gearbox Assembly
12	2	45003	T279A Gearbox (80HP)
13	2	45004	T279A Gearbox (50HP)
14	4	45005	8018H1 3/4-6 Spline Chain Coupler
15	2	45006	8018H Coupling Chain (Inc C/L)
16	2	45008	T269 Seal Protector Plate
17	32	FW 10MM	Flatwasher - Metric
18	20	FW 16MM	Flatwasher - Metric
19	8	FW 8MM	Flatwasher - Metric
20	16	LN10-1.5NCZ5	M10-1.5 DIN 985 Class 8 Zinc Finish Steel Nylon Insert Lock Nut
21	4	LN16-2.0NCZ5	M16-2.0 DIN 985 Class 8 Zinc Finish Steel Nylon Insert Lock Nut
22	12	LW 16MM	Lockwasher - Metric
23	8	LW 8MM	Lockwasher - Metric
24	16	M10X40X1.5	Metric Bolt
25	4	M16X40X2.0	Metric Bolt
26	12	M16X45X2.0	Metric Bolt
27	8	M8X20X1.25	Metric Bolt
28	6	CB 5/8-11 X1.75 Z5	Carriage Bolt - 5/8-11 x 1 3/4" Grade 5 Zinc
29	12	FW 14MM	Flatwasher - Metric
30	16	HB 7/16-14X1.25 Z5	Hex Bolt 7/16-14x1 1/4 Grade 5 Zinc Plated Hex Cap Screw
31	6	LN 5/8 N	LN 5/8-11 Zinc Plated Nylon Insert Lock Nut
32	16	LN 7/16 N	LN 7/16-14 Zinc Plated Nylon Insert Lock Nut
33	12	M14X30X2	Metric Bolt
34	8	MS 10X34 SDS	Machine Screw - #10 x 3/4" Hex Washer Head Self Drilling Screw Zinc

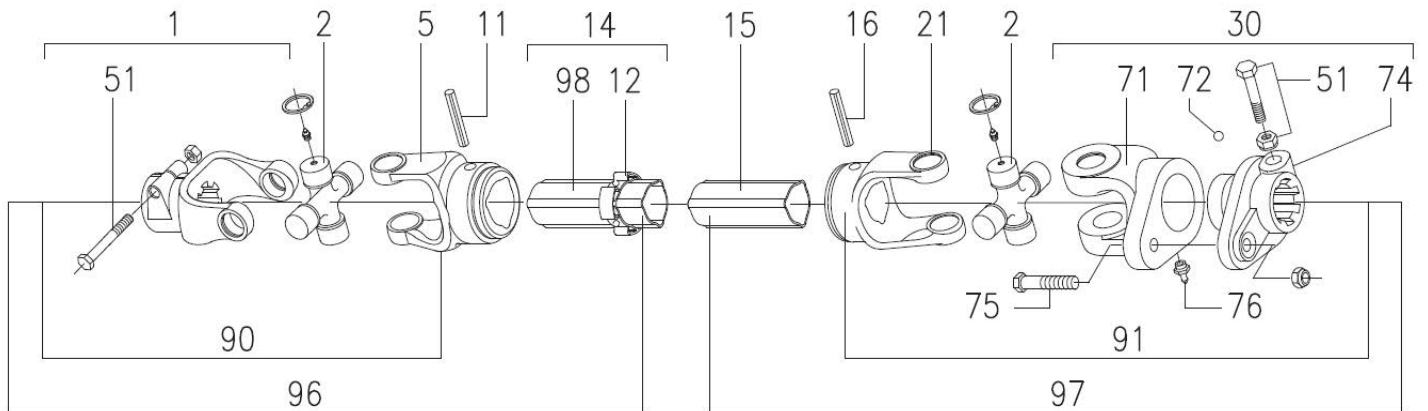
*Specify Manure Spreader serial no. when ordering replacement parts.*

## Poultry Beater Short Driveline - 43976



ITEM	QTY	PART NUMBER	DESCRIPTION
1	1	141.026.083.1	Complete Interfering Clamp Bolt Yoke 135.75" Z20
2	2	180.016.764	Cross Journal Set 30.2x92
5			Outer Yoke
11			Roll Pin for Outer Tube
12	1	180.016.316	Grease Fitting Bushing
14			Complete Outer Tube 130
15	1	153.160.106	Inner Tube 215
16	1	190.000.016	Roll Pin for Inner Tube
21	1	151.016.029.1	Inner Yoke
30	1	143.260.064.1	Complete Shear Bolt B35 (55xM8) 1.75" Z20
51	3	190.000.576	Bolt & Nut M16x2x80 c1.8.8
71	1	151.016.176.1	Hub Yoke B05 (55xM8)
72	24	190.000.023	Ball 5/16" Dia
74	1	151.016.937.1	Hub B35 (55xM8)
75	6	165.000.506	Bolt & nut M8x1.25x60 c1.8.8
76	1	190.000.021	Grease Fitting M10x1
90	1	122.360.096.1	Female Tube Yoke with Label
91	1	121.026.1418.11	Inner Tube U Joint
96	1	123.360.541.11	Female Half Shaft
97	1	123.460.1108.11	Male Half Shaft
98	1	190.000.216	Outer Tube DANGER Label

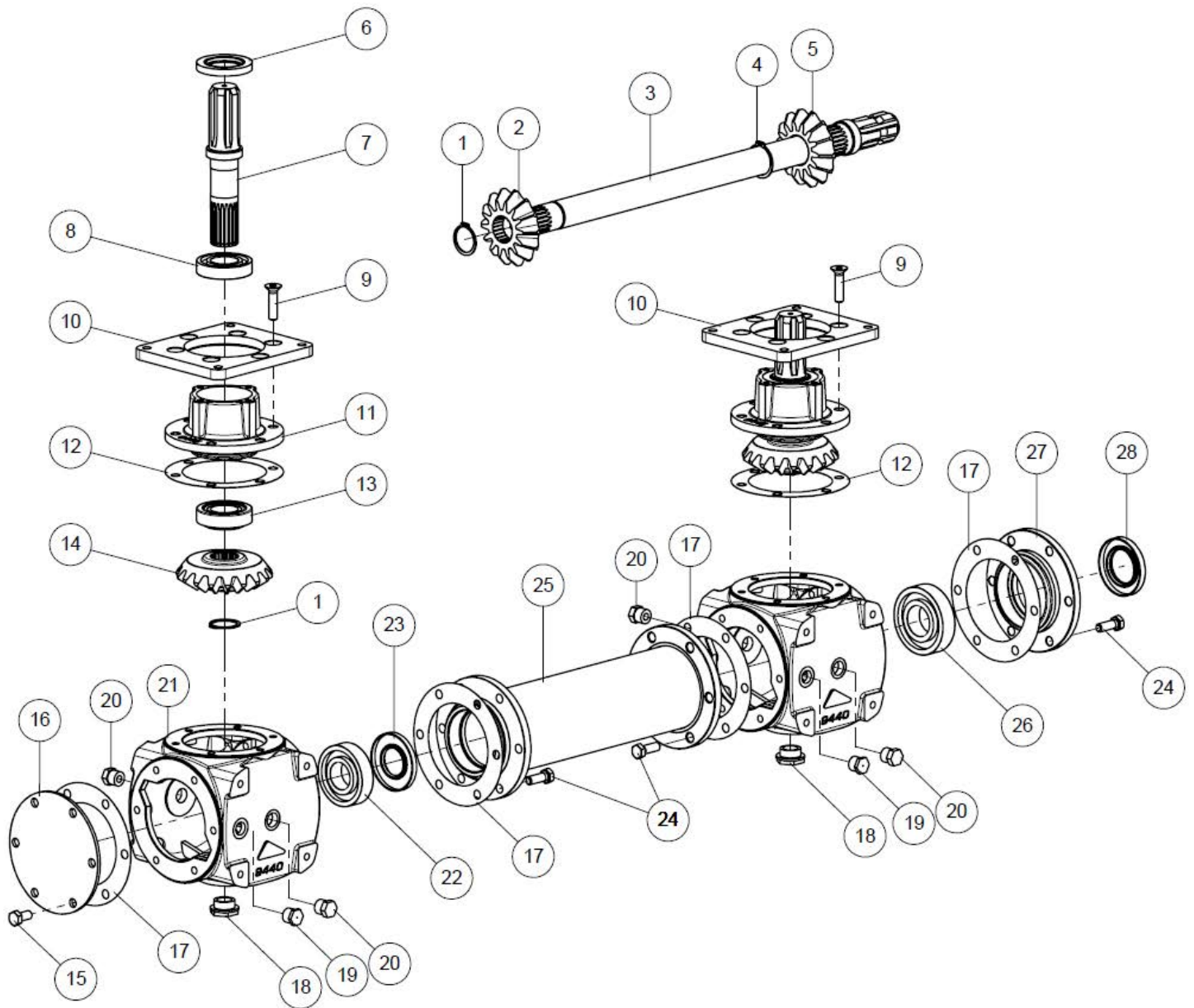
## Poultry Beater Long Driveline - 43977



ITEM	QTY	PART NUMBER	DESCRIPTION
1	1	141.026.083.1	Complete Interfering Clamp Bolt Yoke 135.75" Z20
2	2	180.016.764	Cross Journal Set 30.2x92
5	1	151.016.028.1	Outer Yoke
11	1	190.000.018	Outer Tube Roll Pin
12	1	180.016.316	Grease Fitting Bushing
14	1	152.170.282.0720	Complete Outer Tube 700
15	1	153.160.111	Inner Tube 715
16	1	190.000.016	Roll Pin for Inner Tube
21	1	151.016.029.1	Inner Yoke
30	1	143.260.064.1	Complete Shear Bolt B35 (55xM8) 1.75" Z20
51	3	190.000.576	Bolt & Nut M16x2x80 c1.8.8
71	1	151.016.176.1	Hub Yoke B05 (55xM8)
72	24	190.000.023	Ball 5/16" Dia
74	1	151.016.937.1	Hub B35 (55xM8)
75	6	165.000.506	Bolt & nut M8x1.25x60 c1.8.8
76	1	190.000.021	Grease Fitting M10x1
90	1	121.026.1417.10	Female Tube Yoke with Label
91	1	121.026.1418.11	Inner Tube U Joint
96	1	123.360.540.11	Female Half Shaft
97	1	123.460.1107.11	Male Half Shaft
98	1	190.000.216	Outer Tube DANGER Label



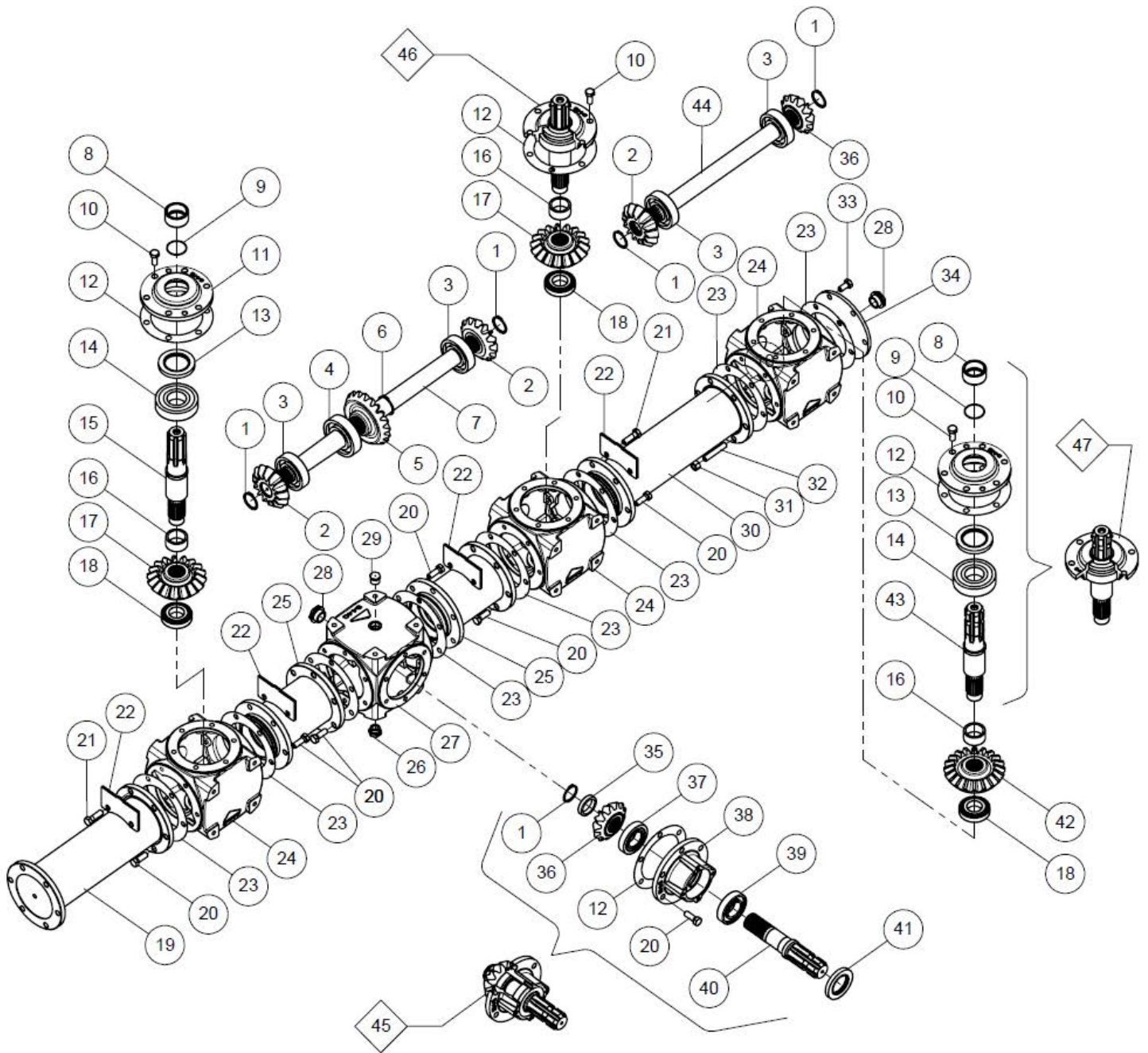
# Poultry Beater Side Gearbox - Original - 37827



## Poultry Beater Side Gearbox - Original - 37827

ITEM	QTY	PART NUMBER	DESCRIPTION
1	3	37827-3426	Circlip E40
2	1	37827-12041	Bevel Pinion Z=14
3	1	37827-15466	Shaft
4	1	37827-3427	Circlip E45
5	1	37827-15464	Bevel Pinion Z=14
6	2	37827-15481	Oil Seal 52/80/10-DL
7	2	37827-15463	Shaft
8	2	37827-3342	Bearing 6208
9	12	37827-15476	Screw M12x50
10	2	37827-15461	Fixing Plate
11	2	37827-9445	Hub
12	2	37827-9536	Gasket
13	2	37827-9013	Bearing 32208
14	2	37827-12042	Gear Z=18
15	6	37827-3301	Screw, Hex-HD M12x25
16	1	37827-12556	Cover
17	4	37827-9525	Gasket
18	2	37827-9179	Oil Level Indicator Ø1"Gas All.
19	2	37827-9706	Oil Breather Plug Ø1/2"Gas
20	4	37827-9707	Oil Plug Ø1/2"Gas
21	2	37827-15508	Lateral Housing
22	1	37827-3346	Bearing 6308
23	1	37827-15505	Oil Seal 40/85/9
24	18	37827-3768	Screw, Hex-HD M12x35
25	1	37827-15468	Spacer L=400
26	1	37827-7478	Bearing 6309
27	1	37827-15465	Calotte
28	1	37827-15480	Oil Seal 50/85/10-DL

# Poultry Beater Lower Gearbox - Original - 37828

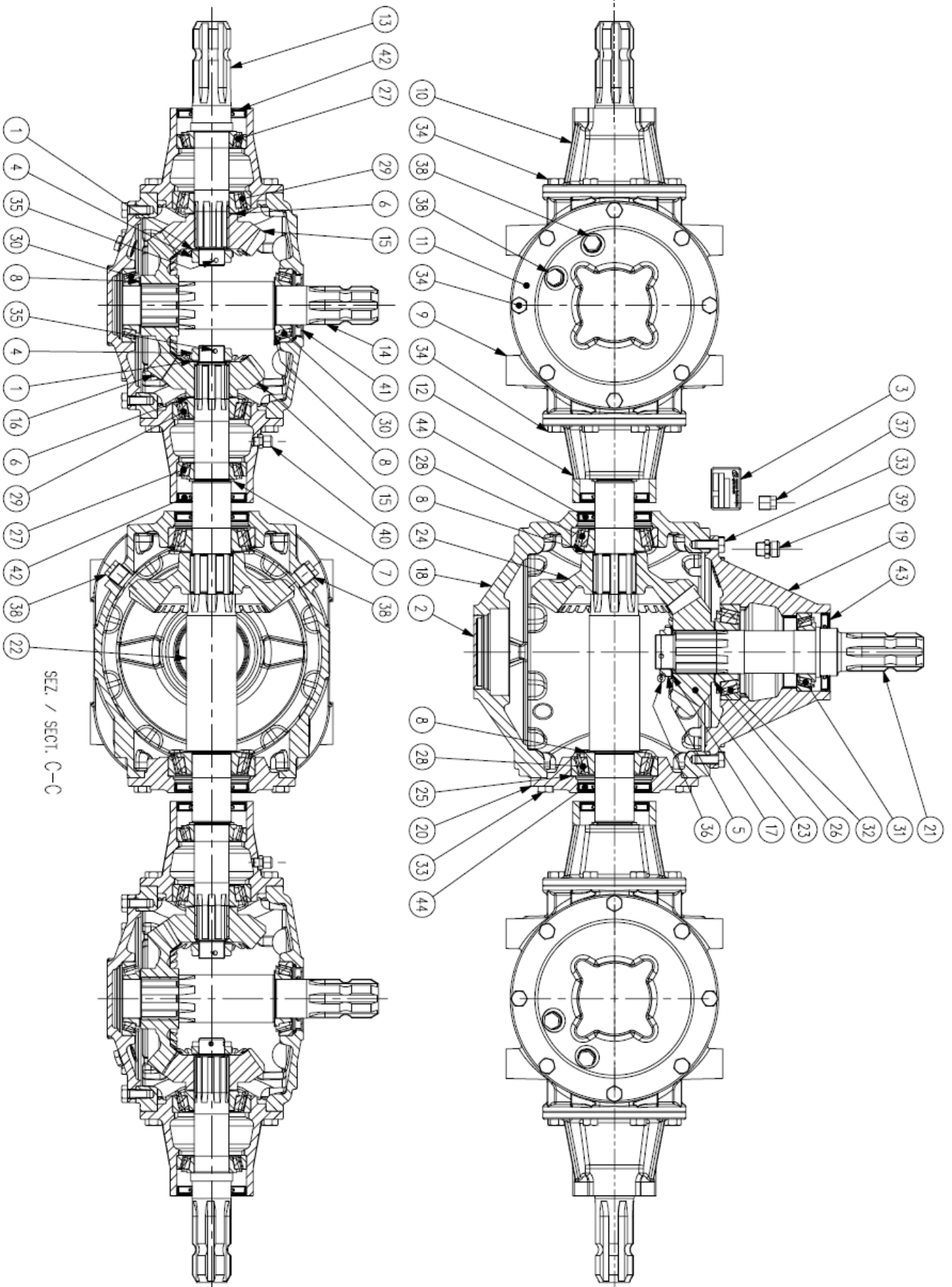


## Poultry Beater Lower Gearbox - Original - 37828

ITEM	QTY	PART NUMBER	DESCRIPTION
1	5	37828-3426	Circlip E40
2	3	37828-12041	Bevel Pinion Z=14
3	4	37828-3346	Bearing 6308
4	1	37828-7478	Bearing 6309
5	1	37828-9502	Gear Z=20
6	1	37828-3427	Circlip E45
7	1	37828-9672	Shaft L=712
8	3	37828-9524	Spacer
9	3	37828-9926	O-ring 2175
10	18	37828-3302	Screw, Hex-HD M12x30
11	3	37828-9446	Calotte
12	4	37828-9536	Gasket
13	3	37828-7480	Oil Seal 55/85/10-DL
14	3	37828-13102	Bearing 6309-2RS
15	2	37828-9507	Shaft
16	3	37828-9516	Spacer 40/51/25
17	2	37828-12042	Gear Z=18
18	3	37828-3354	Bearing 30207
19	1	37828-9680	Spacer L=370
20	34	37828-3768	Screw, Hex-HD M12x35
21	8	37828-3303	Screw, Hex-HD M12x40
22	4	37828-12143	Support
23	8	37828-9525	Gasket
24	3	37828-9441	Housing
25	2	37828-9675	Spacer L=185
26	1	37828-9707	Oil Plug Ø1/2" Gas
27	1	37828-9440	Housing
28	2	37828-9179	Oil Level Indicator Ø1" Gas All.
29	1	37828-9706	Oil Breather Plug Ø1/2" Gas
30	1	37828-17644	Spacer L=403
31	6	37828-4478	Nut M12
32	6	37828-12853	Screw/ M12x70
33	6	37828-3301	Screw, Hex-HD M12x25
34	1	37828-12863	Cover
35	1	37828-12629	Spacer
36	2	37828-9476	Pinion Z=13
37	1	37828-4910	Bearing 30208
38	1	37828-9445	Hub
39	1	37828-3342	Bearing 6208
40	1	37828-9509	Shaft
41	1	37828-9537	Oil Seal 48/80/10-DL
42	1	37828-9477	Gear Z=20
43	1	37828-12558	Shaft
44	1	37828-12828	Lateral Shaft
45	1	37828-12150	Complete Hub
46	2	37828-9539	Complete Calotte
47	1	37828-12658	Complete Exterior Calotte



# Poultry Beater Lower Gearbox - Current - 45002

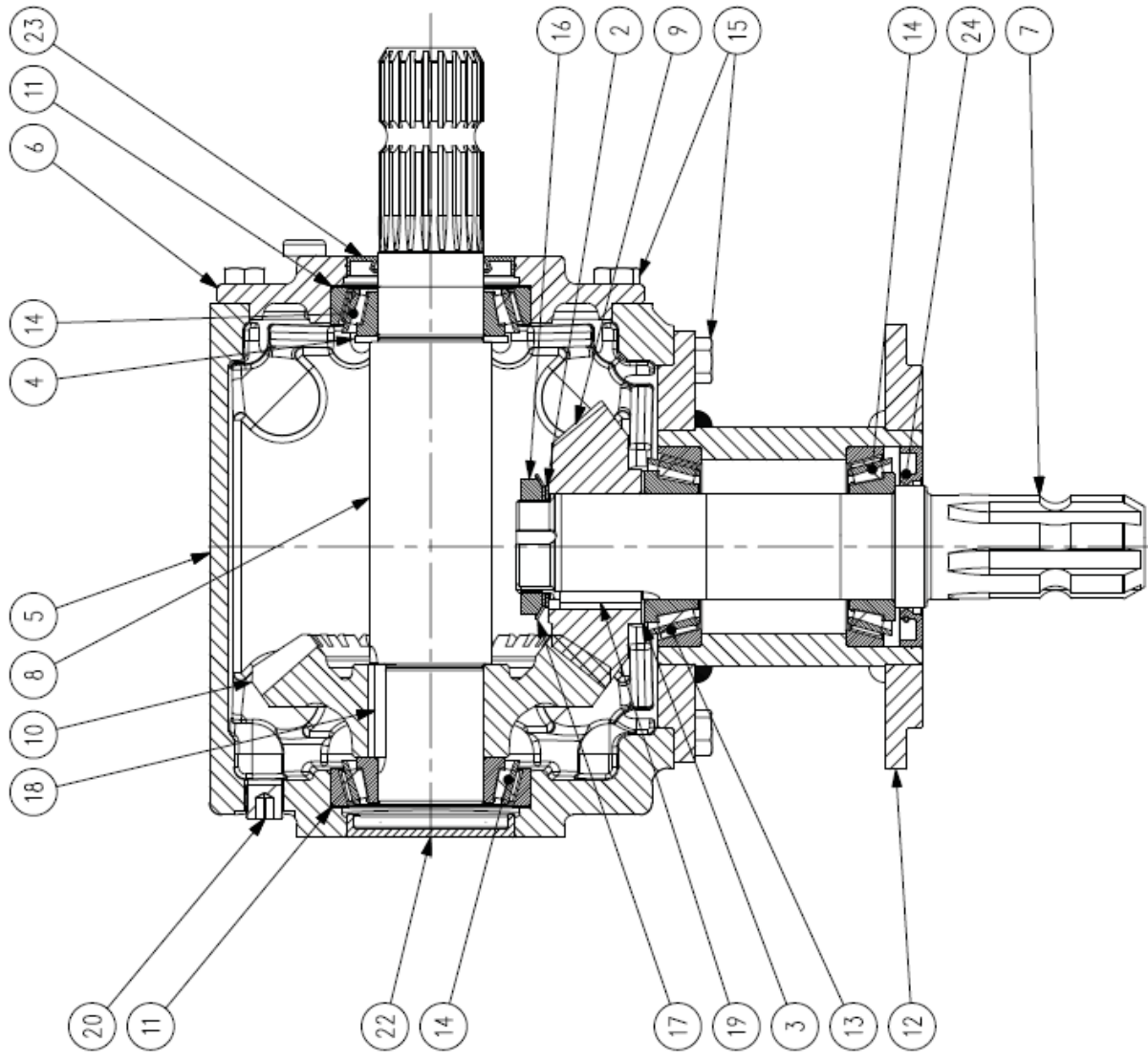
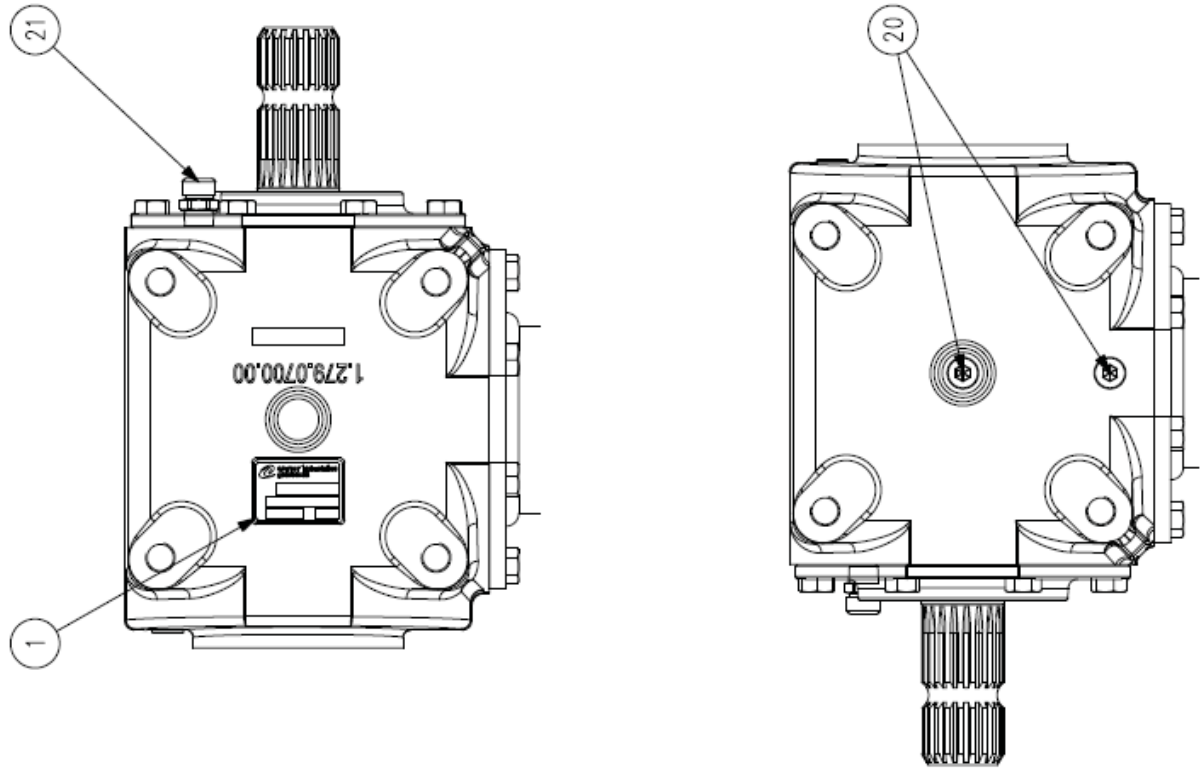




## Poultry Beater Lower Gearbox - Current - 45002

ITEM	QTY	PART NUMBER	DESCRIPTION
1	4	0.102.7515.00	Shim 30.3x44.0x1.5
2	1	0.121.7101.00	Cap 85x10
3	1	0.124.7101.00	Plate "Comer"
4	4	0.132.7106.00	Nut M30 X 1.5
5	1	0.132.7107.00	Castle Nut M40 X 1.5
6	4	0.244.7500.00	Shim Kit for Gear Box T-278A (40.3 X 51.5)
7	2	0.244.7525.00	Shim 40-52-2.5MM
8	6	0.252.7500.00	Shim 45.3 X 65.3
9	2	0.269.0301.00	Casing (45002)
10	2	0.269.1303.00	Extension (45002)
11	2	0.269.1341.00	Cover (45002)
12	2	0.269.1746.00	Extension (45002)
13	2	0.269.2004.00	Shaft 1" 3/4 Z6 (45002)
14	2	0.269.3020.00	Shaft 1 3/4 x 6 Spline
15	4	0.269.5001.00	Pinion Z19 M6.3 (45002)
16	2	0.269.6002.00	Crown Wheel Z27 M6.3
17	1	0.285.7510.00	Shim 40.3x 61.7 X 1 (45002)
18	1	0.301.0300.00	Casing
19	1	0.301.1300.00	Extension
20	1	0.301.1302.00	Cover
21	1	0.301.2000.00	Shaft 1" 3/4 Z6
22	1	0.301.3019.00	Shaft
23	1	0.301.5001.00	Pinion Z20 M7.5
24	1	0.301.6001.00	Crown Wheel Z27 M7.5
25	1	0.703.7500.00	Shim 85.3 x 99.7
26	1	0.712.7500.00	Shim 50.3x70.3 (45002)
27	4	8.0.9.00024	Bearing for Gearbox T-278A (30208) 8.0.9.01060
28	2	8.0.9.00107	Bearing 30309
29	4	8.0.9.00128	Taper Roller Bearing 30308
30	4	8.0.9.00143	Tapered Roller Bearing 30209
31	1	8.0.9.00469	Bearing 30210
32	1	8.0.9.00653	Bearing 30310
33	18	8.1.1.00061	Bolt M10X25-8,8
34	48	8.1.1.00501	Bolt M10X22-8.8
35	4	8.4.7.01111	Cotter Pin B4X55
36	1	8.4.7.01112	Cotter Pin B4X60
37	1	8.6.5.00006	Plug Hexagon 3/8" Gas
38	10	8.6.5.00203	Plug with Ex. Hex 1/2" Gas
39	1	8.6.7.00161	Filler-Breather Plug 3/8" Gas
40	2	8.6.7.02660	Oil Filler Plug
41	2	8.7.1.00981	Double Lip Seal 45-72-8 (TC)
42	4	8.7.1.00999	Double Lip Seal 45X80X10
43	1	8.7.1.01099	Double Lip Seal 55X90X10
44	2	8.7.1.02348	Dust Lip Oil Seal 45X85X10

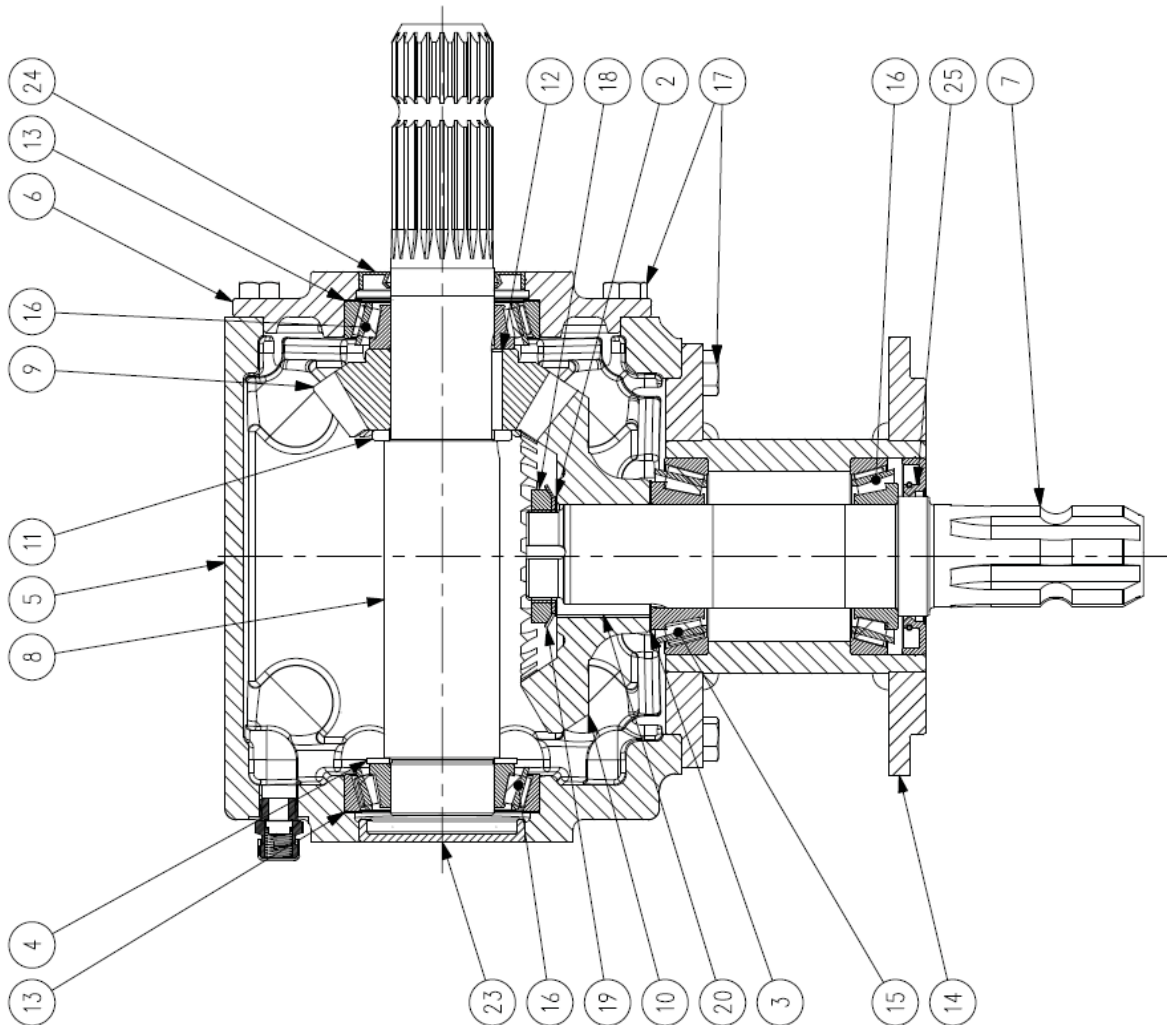
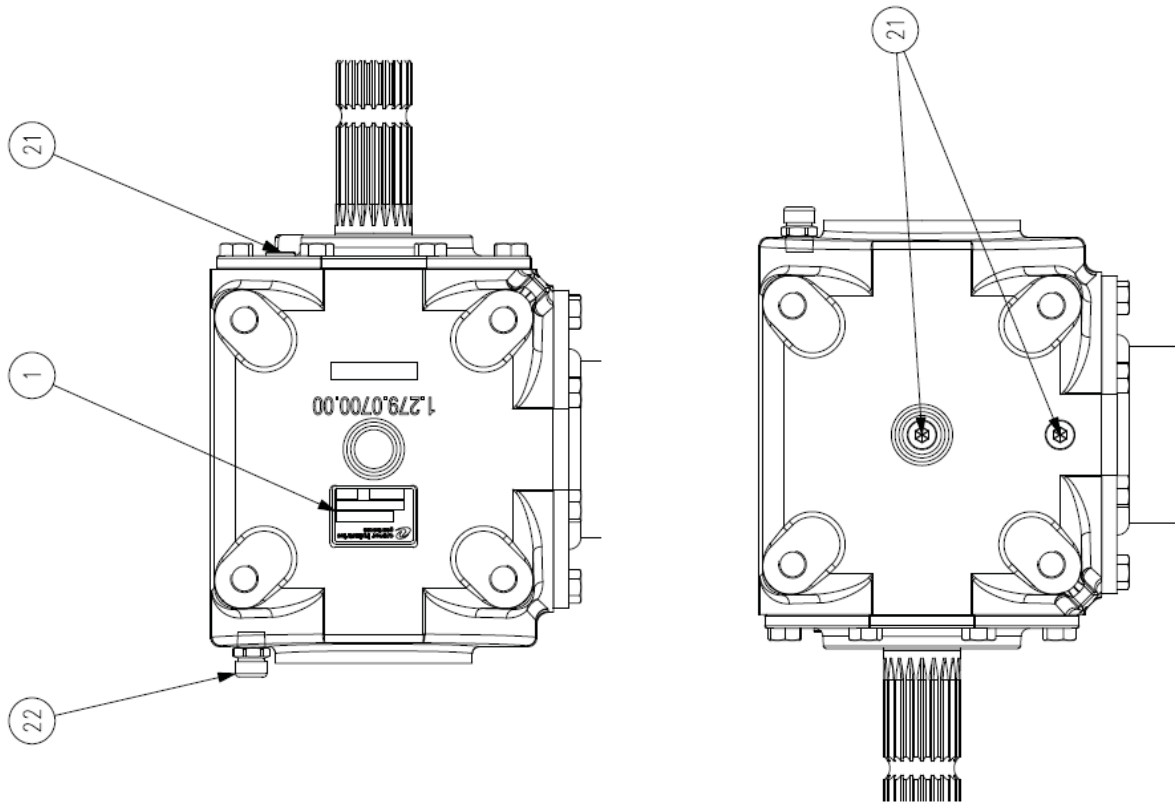
# Poultry Beater Lower Side Gearbox - Current - 45003



## Poultry Beater Lower Side Gearbox - Current - 45003

ITEM	QTY	PART NUMBER	DESCRIPTION
1	1	0.124.7101.00	Plate "Comer"
2	1	0.244.7510.00	Shim Kit for Gear Box T-278A (40.3 X 51.5)
3	1	0.252.7500.00	Shim Kit 45.3x65.3
4	1	0.252.7525.00	Shim 45.3x65.3x2.5
5	1	0.279.0718.00	Casing (45003)
6	1	0.279.1316.00	Cover (45003)
7	1	0.279.2007.00	Shaft 1" 3/4 Z6
8	1	0.279.3223.00	Shaft 1" 3/4 Z20
9	1	0.279.5001.00	Pinion Z20 M5,7
10	1	0.279.6001.00	Crown Wheel Z27 M5,7
11	2	0.709.7500.00	Shim Kit 70.3x84.7
12	1	2.279.1325.00	Extension
13	1	8.0.9.00125	Tapered Roller Bearing 32209
14	3	8.0.9.00143	Tapered Roller Bearing 30209
15	16	8.1.1.00501	Hex Bolt M10X22-8.8
16	1	8.2.5.00064	Locknut M40x1.5 ZNH9
17	1	8.3.8.00065	Spring Washer 40x62x1,25
18	1	8.4.1.00978	Parallel Key B 14X9X40
19	1	8.4.1.01028	Parallel Key B 14X9X35
20	3	8.6.6.00201	Plug 3/8"Gas
21	1	8.6.7.00161	Filler-Breather Plug 3/8" Gas
22	1	8.7.0.00744	Cap 72x10
23	1	8.7.1.00981	Double Lip Seal 45-72-8 (TC)
24	1	8.7.3.01096	Dust Lip Oil Seal 52X85X10

# Poultry Beater Upper Side Gearbox - Current - 45004



## Poultry Beater Upper Side Gearbox - Current - 45004

ITEM	QTY	PART NUMBER	DESCRIPTION
1	1	0.124.7101.00	Plate "Comer"
2	1	0.244.7510.00	Shim Kit for Gear Box T-278A (40.3 X 51.5)
3	1	0.252.7500.00	Shim Kit 45.3x65.3
4	1	0.252.7525.00	Shim 45.3x65.3x2.5
5	1	0.279.0718.00	Casing (45003)
6	1	0.279.1316.00	Cover (45003)
7	1	0.279.2007.00	Shaft 1" 3/4 Z6
8	1	0.279.3017.00	Shaft 1" 3/8 Z6
9	1	0.279.5003.00	Pinion Z18 M5.7
10	1	0.279.6003.00	Crown Wheel Z27 M5.7
11	1	0.279.7100.00	Spacer 45.3x60x5
12	1	0.279.7121.01	Parallel Key B 14X9X34
13	2	0.709.7500.00	Shim Kit 70.3x84.7
14	1	2.279.1325.00	Extension
15	1	8.0.9.00125	Tapered Roller Bearing 32209
16	3	8.0.9.00143	Tapered Roller Bearing 30209
17	16	8.1.1.00501	Hex Bolt M10X22-8.8
18	1	8.2.5.00064	Locknut M40x1.5 ZNH9
19	1	8.3.8.00065	Spring Washer 40x62x1,25
20	1	8.4.1.00978	Parallel Key B 14X9X40
21	3	8.6.6.00201	Plug 3/8" Gas
22	1	8.6.7.00161	Filler-Breather Plug 3/8" Gas
23	1	8.7.0.00744	Cap 72x10
24	1	8.7.1.00981	Double Lip Seal 45x72x8
25	1	8.7.3.01096	Dust Lip Oil Seal 52X85X10

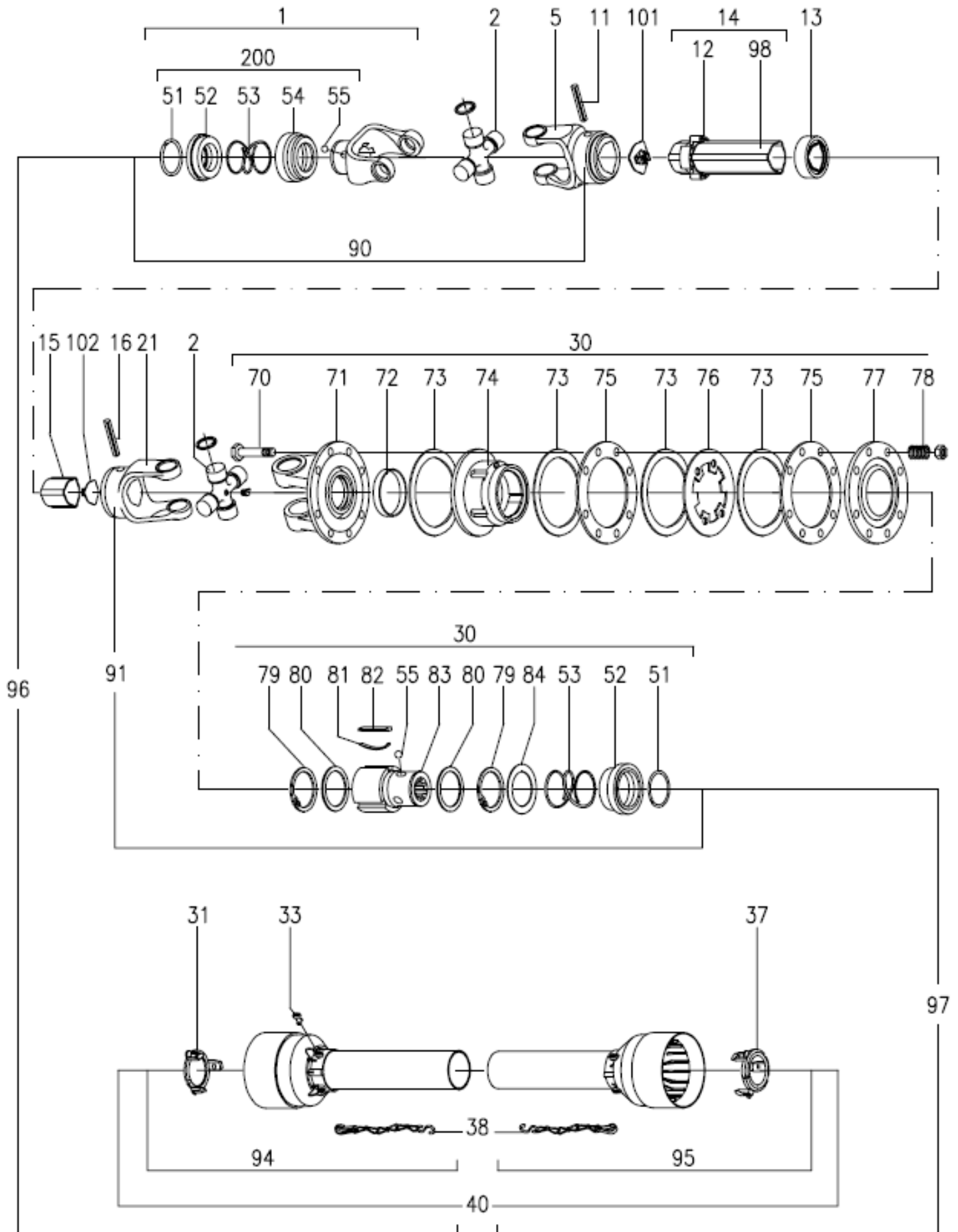




## 36638 - N750 Drive Line with Over Running Clutch

ITEM	QTY	PARTNUMBER	DESCRIPTION
1	1	50620B	Inboard Yoke For Outer Tube
2	2	20640	Cross 30.2 x 92 With Central Grease Nipple
3	1	50630B	Inboard Yoke For Inner Tube
4	1	R2B0634MD	Overrunning Clutch 1.3/4"-Z6 With Clamp Bridge M 3000 Nm ±10%
5	2	810080	Elastic Pin ø 10 x 80 DIN 1481
6	1	G0530	Inner Retainer
7	1	G0520	Outer Retainer
8	1	10630	Yoke 1.3/8"-Z6 Conical Bolt
9	1	60550B0785F	Outer Triangular Tube L = 785
10	1	60430B0785F	Inner Triangular Tube L = 785
11	1	P3B06095AA	Shaft Shield
12	2	C40	Chain

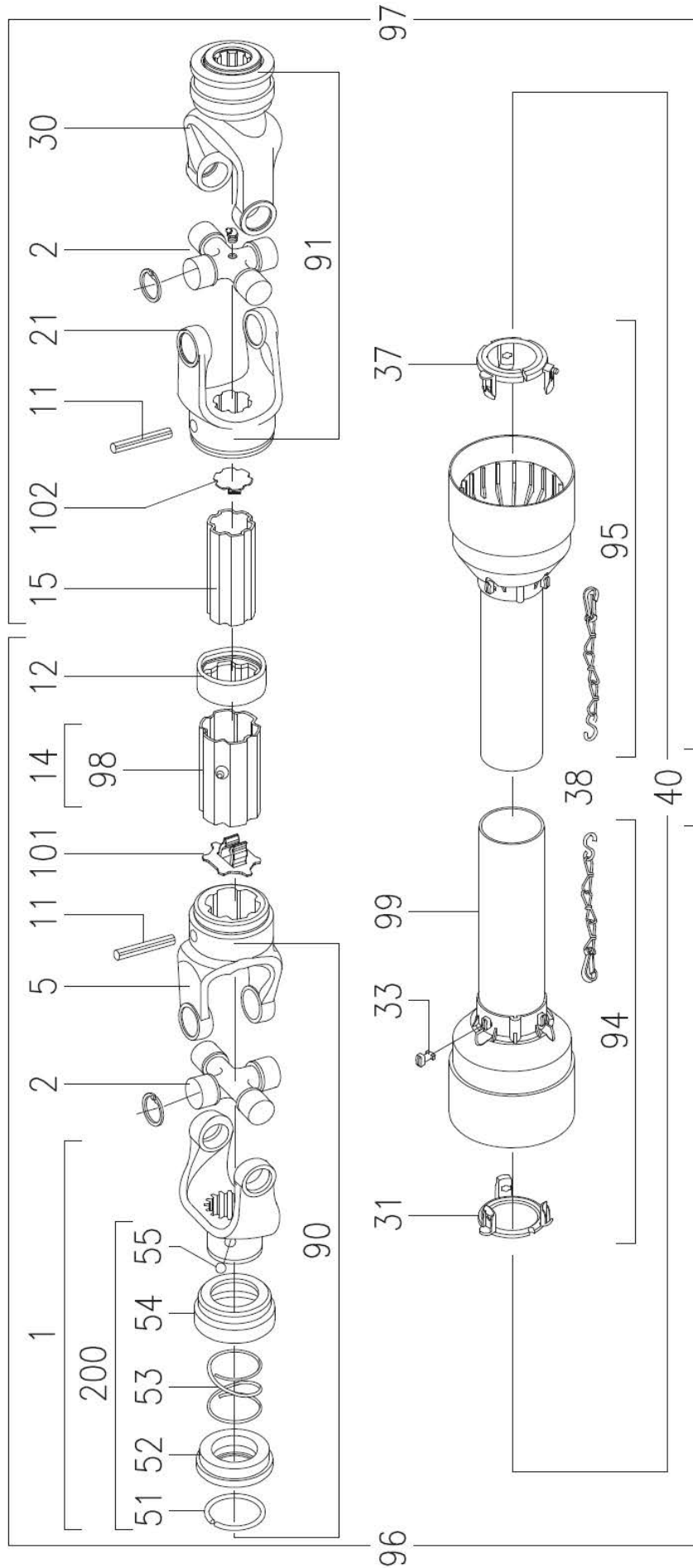
# 30840 - PTO Slip Clutch for Manure Spreader



### 30840 - PTO Slip Clutch for Manure Spreader

ITEM	QTY	PART NUMBER	DESCRIPTION				
1	1	PTO141.026.544	Complete Collar Yoke C12 1 3/8" Z6	72	1	PTO180.017.112	Bush
				73	4	PTO180.017.106	Lining Ring
				74	1	PTO141.027.107	Body RF with Grease Nipple
2	2	PTO180.016.130	Cross Journal Set 30.2x92	75	2	PTO180.017.105	Inner Plate
5	1	PTO151.016.028	Outer Yoke	76	1	PTO180.017.104	Intermediate Plate
11	1	PTO190.000.018	Roll Pin for Outer Tube	77	1	PTO180.017.114	Pressure Plate
12	1	PTO180.016.316	Bush for Grease Fitting	78	8	PTO180.014.022	Spring
				79	2	PTO190.000.183	Inner Circlip
13	1	PTO180.016.572	Wiper	80	2	PTO180.014.135	Retaining Washer
14	1	PTO152.170.366.0720	Complete Outer Tube L=1005	81	3	PTO180.014.137	Carriage Spring
15	1	PTO153.160.114	Inner Tube L=1065	82	3	PTO151.014.136	Tang
				83	1	PTO151.016.546	Hub R12
16	1	PTO190.000.016	Roll Pin for Inner Tube	84	1	PTO180.015.143	Spring Push Ring
21	1	PTO151.016.029	Inner Yoke	90	1	PTO121.026.899.10	U Joint for Outer Tube
30	1	PTO146.364.001	Complete Disc Clutch RF6 (1400 Nm)	91	1	PTO121.026.747.10	U Joint for Inner Tube
31	1	PTO180.016.016	Guard Retaining Collar for Outer Tube	94	1	PTO142.266.272.7620	Half Female Guard
				95	1	PTO142.267.239.7620	Half Male Guard
33	6	PTO190.000.019	Bolt	96	1	PTO123.360.465.10	Half Female Shaft with Guarding
37	1	PTO180.016.015	Guard Retaining Collar for Inner Tube	97	1	PTO123.460.1007.10	Half Male Shaft with Guarding
38	2	PTO180.016.636	Safety Chains	98	1	PTO190.00.216	DANGER Label for Outer Tube
40	1	PTO142.260.496.7620	Complete Guard with Instruction Manual	99	1	PTO190.000.215	DANGER Label for Outer Guard Tube
51	2	PTO190.000.451	Outer Circlip	100	1	PTO190.000.371	Instruction Manual
52	2	PTO151.016.486	Sliding Sleeve Collar	101	1	PTO180.016.468	Outer Closing Cap
53	2	PTO180.016.487	Spring	102	1	PTO180.016.529	Inner Closing Cap
54	1	PTO180.016.483	Fixed Sleeve	200	1	PTO165.000.628	Kit Collar 1 3/8"
55	6	PTO190.000.078	Balls Ø1/2"				
70	8	PTO165.000.548	Bolt M10x100 & nut				
71	1	PTO.141.026.347	Flanged Yoke				

# 30841 - PTO Secondary Shaft - Manure Spreader

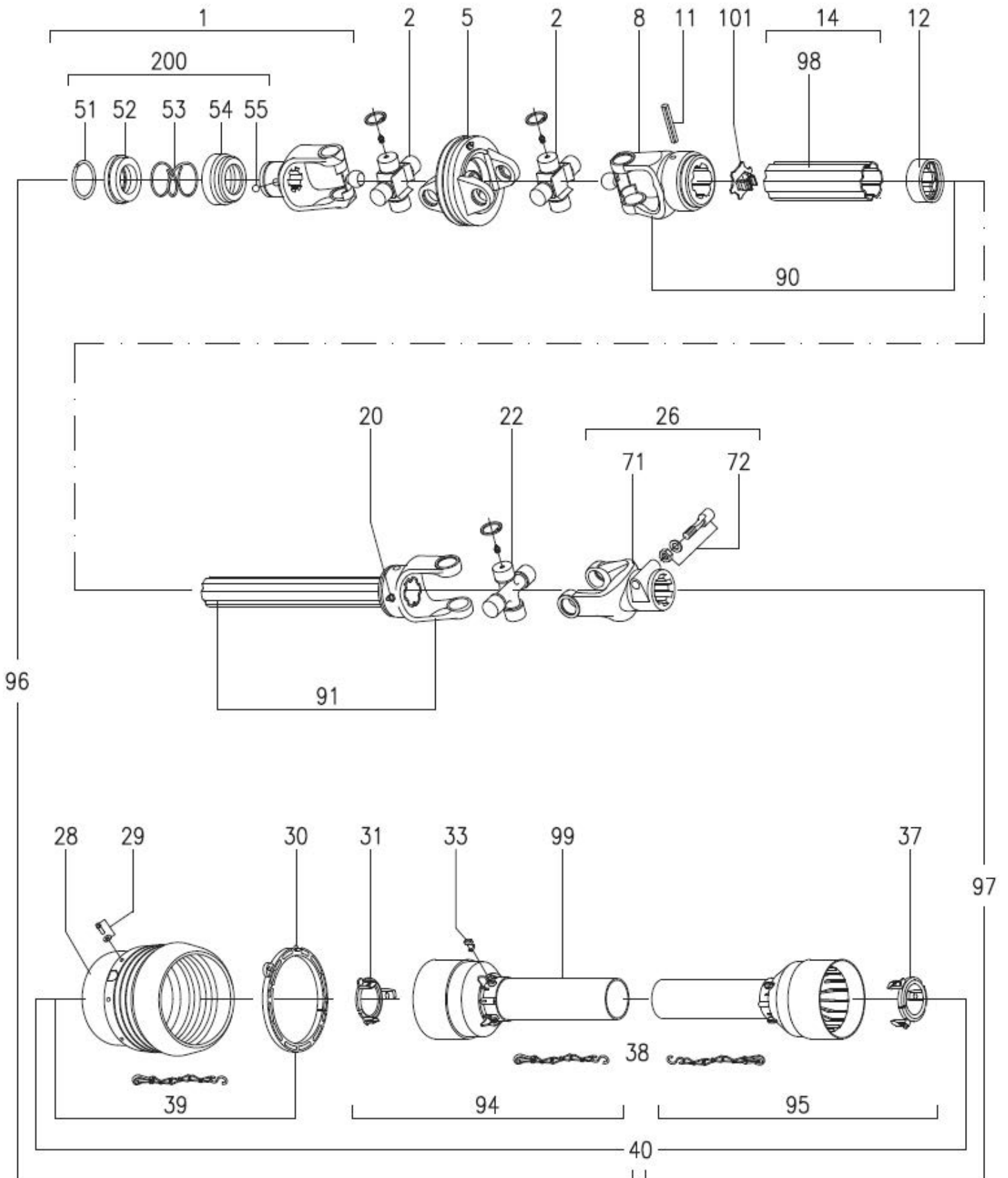




## 30841 - PTO Secondary Shaft - Manure Spreader

ITEM	QTY	PART NUMBER	DESCRIPTION
1	1	PTO141.026.553	Complete Collar Yoke C13 1 3/8" Z21
2	2	PTO180.016.004	Cross Journal Set 30.2x92
5	1	PTO151.016.388	Outer Yoke
11	1	PTO8.4.5.02111	Roll Pin for Outer Tube
12	1	PTO180.016.573	Wiper
14	1	PTO150.260.014.0720	Complete Outer Tube L=355
15	1	PTO153.260.108	Inner Tube L=415
16	1	PTO190.000.018	Roll Pin for Inner Tube
21	1	PTO151.016.389	Inner Yoke
30	1	PTO141.026.544	Complete Collar Yoke C12 1 3/8" Z6
31	1	PTO180.016.016	Guard Retaining Collar for Outer Tube
33	6	PTO190.000.019	Bolt
37	1	PTO180.016.015	Guard Retaining Collar for Inner Tube
38	2	PTO180.016.790	Safety Chains
40	1	PTO142.260.505.9620	Complete Guard with Instruction Manual
51	2	PTO190.000.451	Outer Circlip
52	2	PTO151.016.486	Sliding Sleeve Collar
53	2	PTO180.016.487	Spring
54	2	PTO180.016.483	Fixed Sleeve
55	6	PTO190.000.078	Ball Ø 1/2"
90	1	PTO121.026.913.00	U Joint for Outer Tube
91	1	PTO121.026.912.00	U Joint for Inner Tube
94	1	PTO142.266.280.9620	Half Female Guard
95	1	PTO142.267.248.9620	Half Male Guard
96	1	PTO123.366.197.00	Half Female Shaft with Guard
97	1	PTO123.466.342.00	Half Male Shaft with Guard
98	1	PTO190.000.216	DANGER Label for Outer Tube
99	1	PTO190.000.215	DANGER Label for Outer Guard Tube
100	1	PTO190.000.371	Instruction Manual
101	1	PTO180.016.474	Outer Closing Cap
102	1	PTO180.016.575	Inner Closing Cap
200	2	PTO165.000.628	Kit Collar 1 3/8"

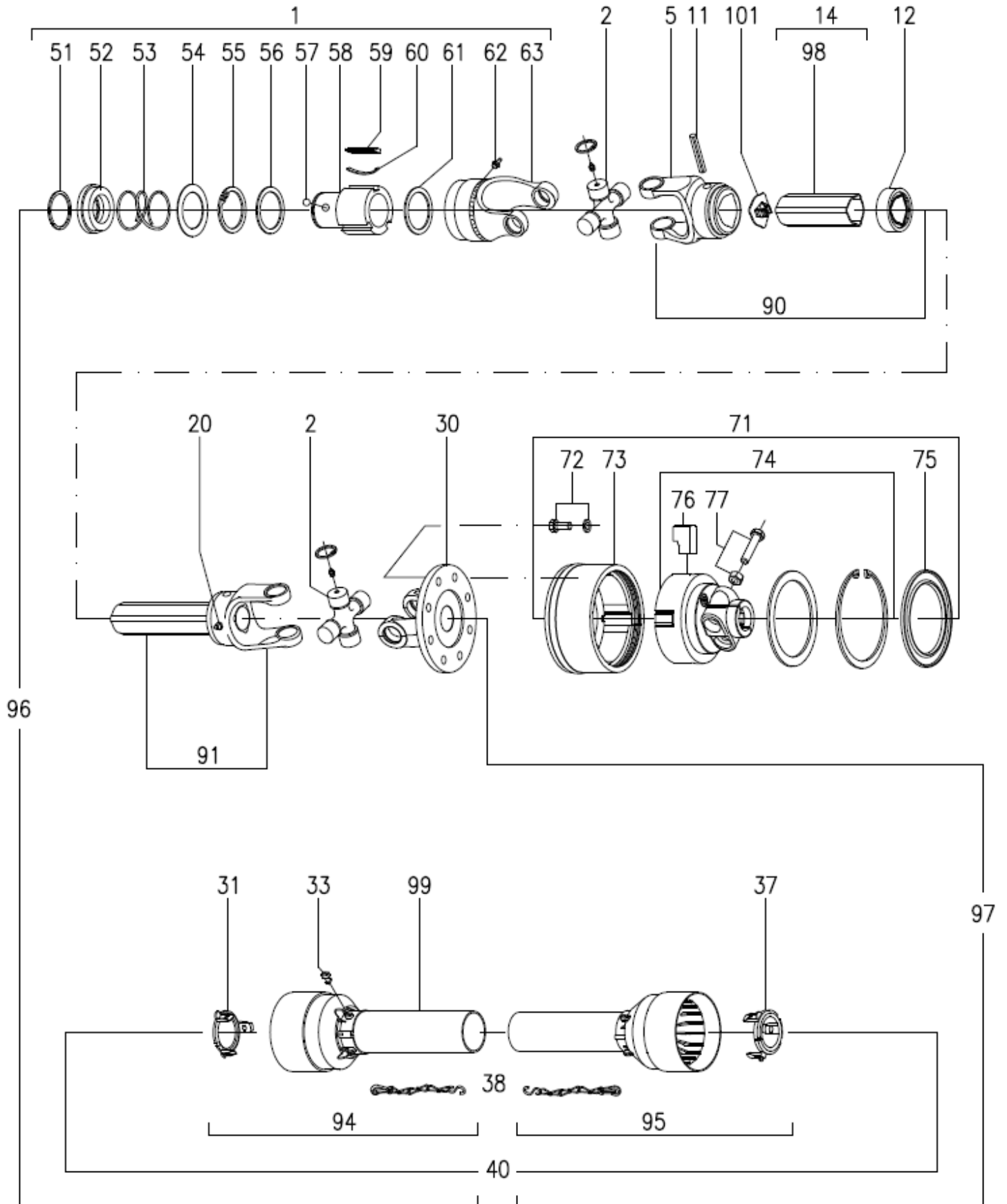
39850 - PTO. 375,450,525,600,750 (V80-141P028359-028028-CV80-CLS)



**39850 - PTO. 375,450,525,600,750 (V80-141P028359-028028-CV80-CLS)**

<b>ITEM</b>	<b>QTY</b>	<b>PART NUMBER</b>	<b>DESCRIPTION</b>
1	1	PTO141.028.359.1	Complete Collar yoke C03 for CV-Joint
2	2	PTO180.018.580	Cross Journal Set for CV-Joint
5	1	PTO141.028.157.1	Wide Angle Double Yoke
8	1	PTO141.028.248.1	Outer Yoke
11	1	PTO190.000.243	Roll Pin for Outer Tube
12	1	PTO180.018.437	Wiper
14	1	PTO152.280.566.0720	Complete Outer Tube
20	1	PTO180.017.411	Grease Nipple for Lube
22	1	PTO180.018.641	Cross Journal Set
26	1	PTO141.028.028.1	Complete Yoke 132
28	1	PTO180.018.582	Guard Cone for Wide Angle CV-Joint
29	6	PTO165.000.694	Screw Kit
30	1	PTO158.018.582	Bearing Ring
31	1	PTO180.018.251	Guard Retaining Collar for Outer Tube
33	3	PTO180.014.240	Bolt
37	1	PTO180.018.252	Guard Retaining Collar for Inner Tube
38	1	PTO180.016.790	Safety Chains
39	1	PTO165.000.801	Guard Cone Set
40	1	PTO142.981.078.2821	Complete Guard with Instruction Manual
51	1	PTO190.000.451	Outer Circlip
52	1	PTO151.016.486	Sliding Sleeve Collar
53	1	PTO180.016.487	Spring
54	1	PTO180.016.483	Fixed Sleeve
55	3	PTO190.000.078	Ball Ø 1/2"
71	1	PTO151.018.028.1	Yoke 132
72	1	PTO165.000.502	Tapered Pin Set 1" 3/8
90	1	PTO122.981.049.1	Female Tube with Yoke and Lube System
91	1	PTO122.580.526.1	Male Tube with Yoke and Lube System
94	1	PTO142.283.260.2821	Half Female Guarding with Label
95	1	PTO142.287.230.2821	Half Male Guarding
96	1	PTO199811410F05006	Half Female Shaft with Guarding
97	1	PTO123.486.358.01	Half Male Shaft with Guarding
98	1	PTO190.000.216	DANGER Label for Outer Tube
99	1	PTO190.000.215	DANGER Label for Outer Guard Tube
100	1	PTO190.000.371	Instruction Manual
101	1	PTO180.018.393	Plastic Cap for Outer Tube
200	1	PTO165.000.628	Kit Collar for Yoke 1 3/8"

39852 - PTO. 600, 750,275 (T60-086P265011-306028-CLS(2500NM))



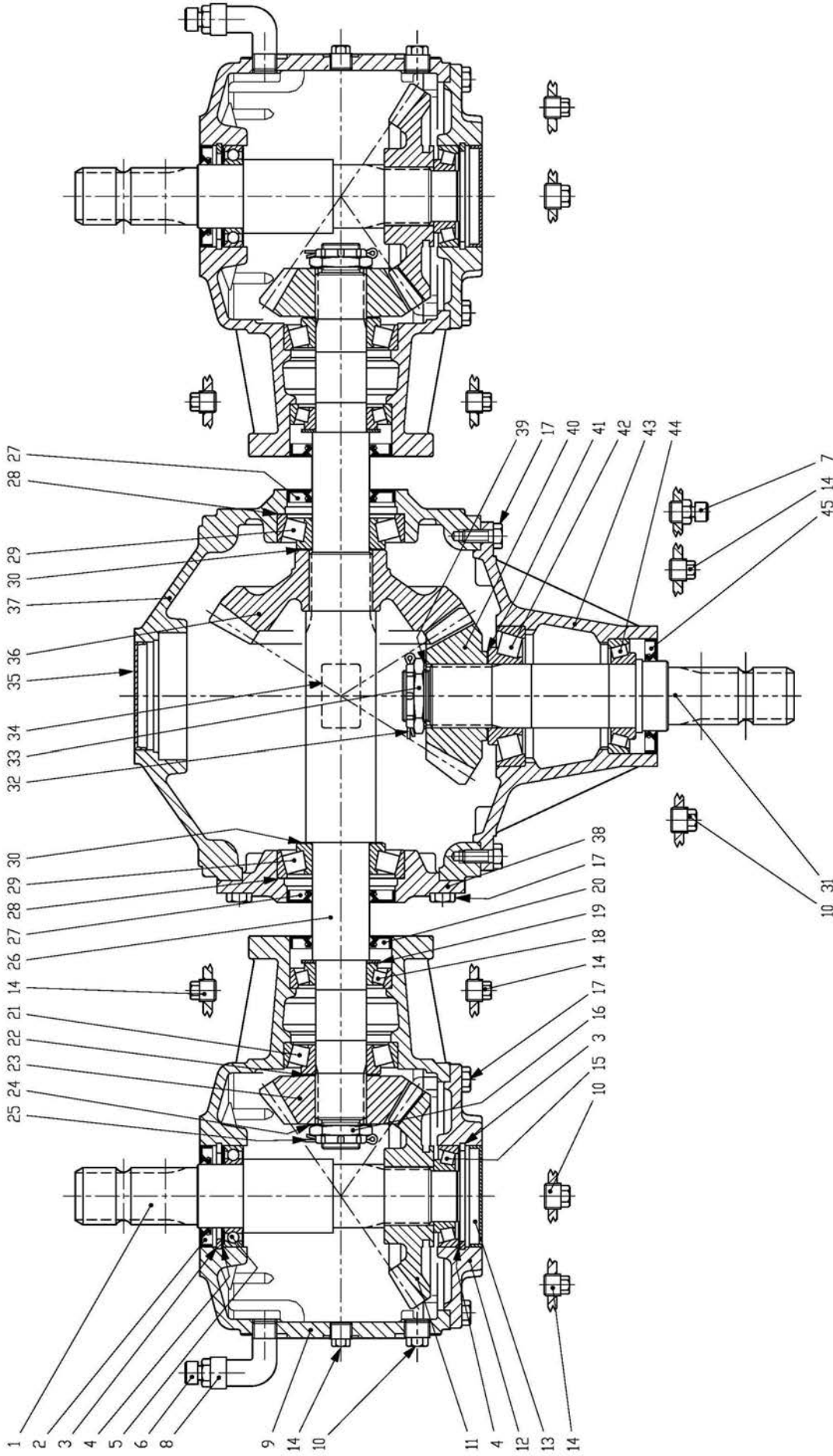
**39852 - PTO. 375,450,525,600,750 (V80-141P028359-028028-CV80-CLS)**

ITEM	QTY	PART NUMBER	DESCRIPTION
1	1	PTO145.265.011.1	Complete Overrunning Clutch R12
2	2	PTO180.016.780	Cross Journal Set
5	1	PTO151.016.028.1	Outer Yoke
11	1	PTO190.000.018	Roll Pin for Outer Tube
12	1	PTO180.016.572	Wiper
14	1	PTO152.160.435.0720	Complete Outer Tube
20	1	PTO180.017.411	Grease Nipple for Lube
30	1	PTO151.016.543.1	Flange FGL
31	1	PTO180.016.237	Guard Retaining Collar for Outer Tube
33	6	PTO180.014.240	Bolt
37	1	PTO180.016.238	Guard Retaining Collar for Inner Tube
38	2	PTO180.016.790	Safety Chains
40	1	PTO142.260.536.7621	Complete Guard with Instruction Manual
51	1	PTO190.000.451	Outer Circlip
52	1	PTO151.016.486	Sliding Sleeve Collar
53	1	PTO180.016.487	Spring
54	1	PTO180.015.143	Spring Push Ring
55	1	PTO190.000.183	Inner Circlip
56	1	PTO180.014.135	Retaining Washer
57	3	PTO190.000.078	Ball
58	1	PTO151.016.546	Hub R12 (1 3/8" Z6)
59	3	PTO151.014.136	Ratchet
60	3	PTO151.014.137	Leaf Spring
61	1	PTO190.000.199	Retaining Washer
62	1	PTO190.000.020	Grease Nipple M8x1
63	1	PTO141.026.210.1	Outer Casting with Yoke
71	1	PTO144.306.009.1	Automatic Torque Limiter (1 3/4" Z6)
72	8	PTO165.000.708	Special Screw M12x1.25x25 w/ Washers Type "SCHNOOR"
73	1	PTO141.028.411.1	Outer Casing
74	1	PTO165.000.713	Complete Hub (3000Nm w/o Springs)
75	1	PTO180.018.400	Grease Retaining
76	4	PTO151.018.390	Ratchet
77	2	PTO165.000.752	Bolts M12x1.25x60 & Nuts
90	1	PTO122.360.088.1	Female Tube with Yoke and Lube System
91	1	PTO122.360.568.1	Male Tube with Yoke and Lube System
94	1	PTO142.266.311.7621	Half Female Guarding with Guarding
95	1	PTO142.267.286.7621	Half Male Guarding
96	1	PTO123.360.519.11	Half Female Shaft with Guarding
97	1	PTO123.460.180.11	Half Male Shaft with Guarding
98	1	PTO190.000.216	"DANGER" Label for Outer Tube
99	1	PTO190.000.215	"DANGER" Label for Outer Guard Tube
100	1	PTO190.000.371	Instruction Manual
101	1	PTO180.016.468	Plastic Cap for Outer Tube



# Section 6: Gearboxes

## 30846 - Beater Gearbox

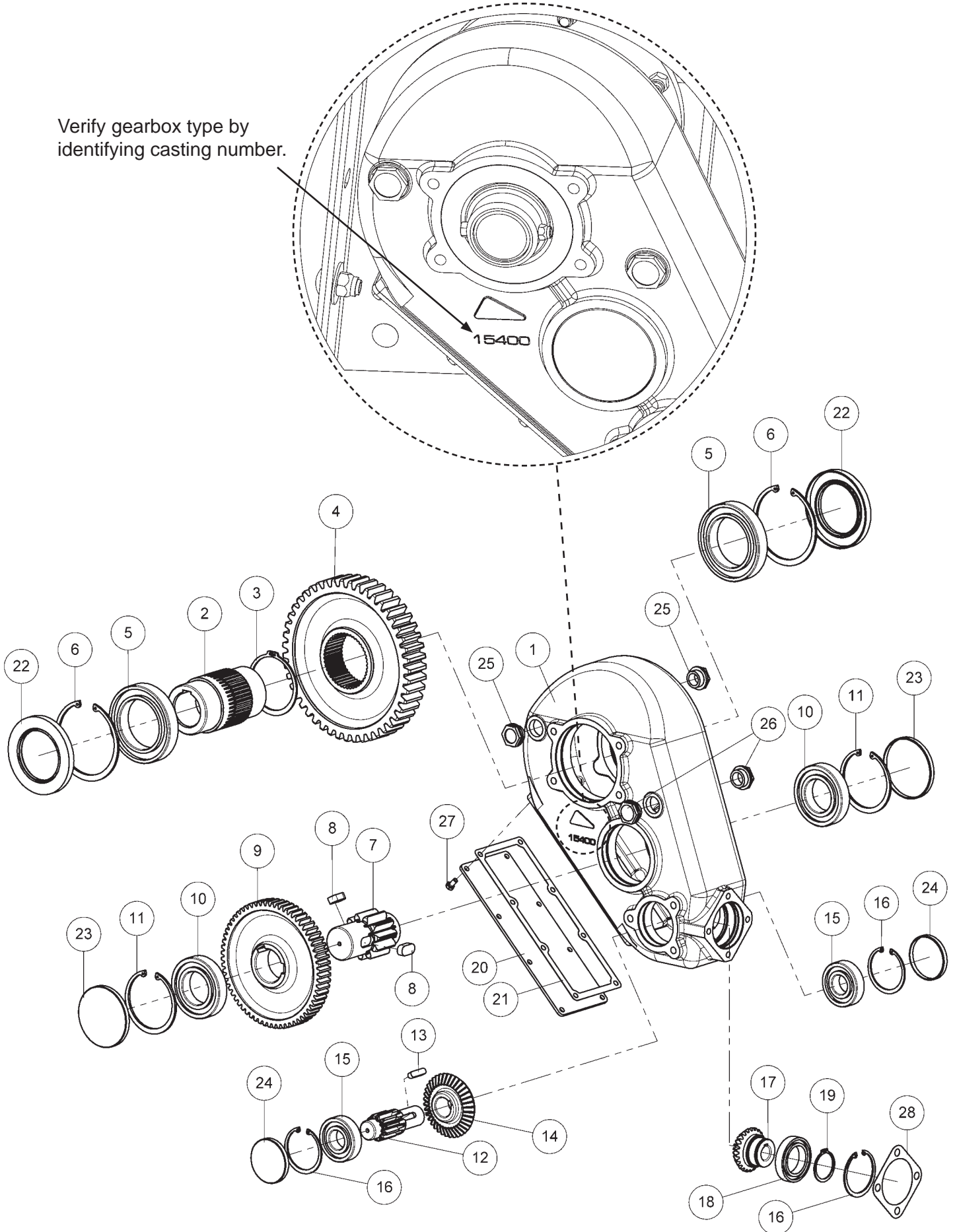


### 30846 - Beater Gearbox

ITEM	QTY	PART NUMBER	DESCRIPTION
1	2	0.290.3055.00	Shaft 1" 3/8 Z6
2	2	8.7.1.01929	Oil Seal Baud SL 50X80X10
3	4	8.5.2.01370	Snap Ring 80 UNI7438
4	4	0.267.7500.00	Shim 69.0x79.9
5	2	8.0.1.01344	Bearing 6010 2RS
6	2	8.6.7.01833	Oil Filler Plug 1/2" Gas
7	1	8.6.7.00161	Filler Breather Plug 3/8" Gas
8	2	8.6.0.01245	Elbow 90 Degree 1/2" Gas
9	2	0.290.0507.00	Casing
10	6	8.6.5.00203	Plug with Ex. Hex 1/2" Gas
11	2	0.272.5001.00	Crown Wheel Z28 M6.22
12	2	0.290.1367.00	Cover
13	2	8.7.0.00790	Gear Box Cap 80X10
14	9	8.6.5.00006	Plug Hexagon 3/8" Gas
15	2	8.0.9.01060	Bearing 30208
16	2	0.132.7106.00	Nut M30 X 1.5
17	34	8.1.1.00061	Bolt M10X25-8,8
18	2	8.0.9.00024	Bearing 30208
19	2	0.285.7525.00	Shim 61.7 X 2.5
20	2	8.7.1.00999	Double Lip Seal 45X80X10
21	2	8.0.9.00128	Taper Roller Bearing 30308
22	2	0.244.7500.00	Shim Kit 40.3 X 51.5
23	2	0.272.6001.00	Pinion Z19 M6.22
24	2	0.441.7510.00	Shim
25	2	8.4.7.01111	Cotter Pin B4X55
26	1	0.301.3017.00	Shaft 1" 3/4 Z6
27	2	8.7.1.02348	Oil Seal 45X85X10
28	1	0.703.7500.00	Shim 99.7
29	2	8.0.9.00107	Bearing 30309
30	2	0.252.7500.00	Shim 45.3 X 65.3
31	1	0.301.2000.00	Shaft 1" 3/4 Z6
32	1	8.4.7.01112	Cotter Pin B4X60
33	1	0.132.7107.00	Castle Nut M40 X 1.5
34	1	0.124.7101.00	Plate
35	1	0.121.7101.00	Cap 85 X 10
36	1	0.301.6002.00	Crown Wheel Z27 M7.5
37	1	0.301.0300.00	Casing
38	1	0.301.1302.00	Cover
39	1	0.244.7510.00	Shim 40.3 X 1.0
40	1	0.301.5002.00	Pinion Z17M7.5
41	1	0.712.7500.00	Shim 70.3
42	1	8.0.9.00268	Bearing 30310
43	1	0.301.1300.00	Extension
44	1	8.0.9.00469	Bearing 30210
45	1	8.7.1.01099	Double Lip Seal 55X90X10

# 30843 - RT650 Apron Chain Gearbox

Verify gearbox type by identifying casting number.



## 30843 - RT650 Apron Chain Gearbox

ITEM	QTY	PART NUMBER	DESCRIPTION
1	1	30843-15400	Box
2	1	30843-15409	Hub
3	1	30843-07587	Circlip
4	1	30843-15402	Gear
5	2	30843-09526	Ball Bearing
6	2	30843-07479	Circlip
7	1	30843-15403	Gear
8	2	30843-15411	Key
9	1	30843-15404	Gear
10	2	30843-07748	Ball Bearing
11	2	30843-07482	Circlip
12	1	30843-15405	Gear
13	1	30843-03404	Key
14	1	30843-09462	Gear
15	2	30843-03339	Ball Bearing
16	3	30843-03435	Circlip
17	1	30843-09461	Gear
18	1	30843-01538	Ball Bearing
19	1	30843-03428	Circlip
20	1	30843-15406	Cover
21	1	30843-15407	Gasket
22	2	30843-09527	Seal
23	2	30843-09529	Plug
24	2	30843-08243	Seal
25	2	30843-09175	Plug
26	2	30842-01831	Plug
27	8	30843-03284	Bolt
28	1	30843-09915	Gasket










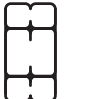






## 49996 - CNM650 Apron Chain Gearbox

ITEM	QTY	PART NUMBER	DESCRIPTION	NOTE
1	1	49996-01	Housing CNM650	
2	2	49996-02	Bearing 6307	
3	2	49996-03	Circlips For 80Dia	
4	2	49996-04	Seal Cover 80 10	
5	1	49996-05	Gear M3.5-11	
6	2	49996-06	Seal Cover 110 10	
7	2	49996-07	Bearing 6212	
8	1	49996-08	Gear Shaft M6-11	
9	2	49996-09	Circlips For 110dia	
10	2	49996-10	Bearing 6018	
11	1	49996-11	Exit Shaft 60dia	
12	2	49996-12	Seal 140 90 12	
13	2	49996-13	Circlips For 140dia	
14	1	49996-14	Gear M6-47 (Inc 14-15)	Items 14,15
15	2	49996-15	Key 18x11x35	
16	1	49996-16	Gear M3.5-64	
17	8	49996-17	Hex Bolt M8x20	
18	8	49996-18	Gasket GB/T 95 8	
19	1	49996-19	Cover CNM650	
20	1	49996-20	Gasket CNM650	
21	2	49996-21	Oil Level G1	
22	2	49996-22	Oil Plug G1	
23	4	49996-23	Gasket G1	
24	1	49996-24	Key 10x8x40	
25	1	49996-25	Bearing 6010	
26	1	49996-26	Circlips For 50dia	
27	1	49996-27	Bevel Gear M3-25 32Dia	
28	1	49996-28	Circlips For 80dia	
29	1	49996-29	Circlips For Shafts 100dia	
30	1	49996-30	Bevel Gear M3-38	Items 24-30
31	1	49996-31	Shim Kit 60.2x72x0.2/.01	
32	1	49996-32	Shim Kit 35.2x44x0.2/.01	
33	2	49996-33	Shim Kit 90.2x100x0.2/.01	
34	1	49996-34	Shim Kit 79.8x70x0.2	
35	1	49996-35	Shim Kit 79.8x70x0.2	
		49996-RK	CNM650 Repair Kit	
		49996-SK	CNM650 Seal Kit	

# Torque Values - Imperial

SAE Grade and Head Markings	1 or 2 <sup>b</sup>	5	5.1	5.2	8	8.2
	NO MARK					
SAE Grade and Nut Markings	2	5		8		
	NO MARK					

Size	Grade 1				Grade 2 <sup>b</sup>				Grade 5, 5.1, or 5.2				Grade 8 or 8.2			
	Lubricated <sup>a</sup>		Dry <sup>a</sup>		Lubricated <sup>a</sup>		Dry <sup>a</sup>		Lubricated <sup>a</sup>		Dry <sup>a</sup>		Lubricated <sup>a</sup>		Dry <sup>a</sup>	
	N-m	lb-ft	N-m	lb-ft	N-m	lb-ft	N-m	lb-ft	N-m	lb-ft	N-m	lb-ft	N-m	lb-ft	N-m	lb-ft
1/4	3.7	2.8	4.7	3.5	6	4.5	7.5	5.5	9.5	7	12	9	13.5	10	17	12.5
5/16	7.7	5.5	10	7	12	9	15	11	20	15	25	18	28	21	35	26
3/8	14	10	17	13	22	16	27	20	35	26	44	33	50	36	63	46
7/16	22	16	28	20	35	26	44	32	55	41	70	52	80	58	100	75
1/2	33	25	42	31	53	39	67	50	85	63	110	80	120	90	150	115
9/16	48	36	60	45	75	56	95	70	125	90	155	115	175	130	225	160
5/8	67	50	85	62	105	78	135	100	170	125	215	160	240	175	300	225
3/4	120	87	150	110	190	140	240	175	300	225	375	280	425	310	550	400
7/8	190	140	240	175	190	140	240	175	490	360	625	450	700	500	875	650
1	290	210	360	270	290	210	360	270	725	540	925	675	1050	750	1300	975
1-1/8	400	300	510	375	400	300	510	375	900	675	1150	850	1450	1075	1850	1350
1-1/4	570	425	725	530	570	425	725	530	1300	950	1650	1200	2050	1500	2600	1950
1-3/8	750	550	950	700	750	550	950	700	1700	1250	2150	1550	2700	2000	3400	2550
1-1/2	1000	725	1250	925	990	725	1250	930	2250	1650	2850	2100	3600	2650	4550	3350

DO NOT use these values if a different torque value or tightening procedure is given for a specific application. Torque values listed are for general use only. Check tightness of fasteners periodically.

Shear bolts are designed to fail under predetermined loads. Always replace shear bolts with identical grade.

Fasteners should be replaced with the same or higher grade. If higher grade fasteners are used, these should only be tightened to the strength of the original.

Make sure fasteners threads are clean and that you properly start thread engagement. This will prevent

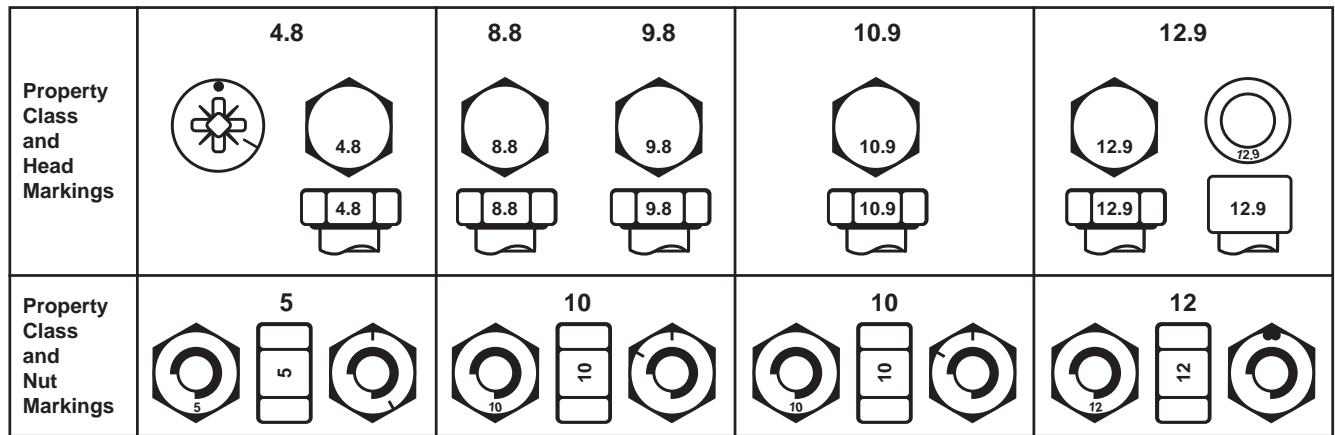
them from failing when tightening.

Tighten plastic insert or crimped steel-type lock nuts to approximately 50 percent of the dry torque shown in the chart, applied to the nut, not to the bolt head. Tighten toothed or serrated-type lock nuts to the full torque value.

<sup>a</sup> "Lubricated" means coated with a lubricant such as engine oil, or fasteners with phosphate and oil coatings. "Dry" means plain or zinc plated without any lubrication.

<sup>b</sup> Grade 2 applies for hex cap screws (not hex bolts) up to 152 mm (6-in.) long. Grade 1 applies for hex cap screws over 152 mm (6-in.) long, and for all other types of bolts and screws of any length.

# Torque Values - Metric



Size	Class 4.8				Class 8.8 or 9.8				Class 10.9				Class 12.9			
	Lubricated <sup>a</sup>		Dry <sup>a</sup>		Lubricated <sup>a</sup>		Dry <sup>a</sup>		Lubricated <sup>a</sup>		Dry <sup>a</sup>		Lubricated <sup>a</sup>		Dry <sup>a</sup>	
	N-m	lb-ft	N-m	lb-ft	N-m	lb-ft	N-m	lb-ft	N-m	lb-ft	N-m	lb-ft	N-m	lb-ft	N-m	lb-ft
M6	4.8	3.5	6	4.5	9	6.5	11	8.5	13	9.5	17	12	15	11.5	19	14.5
M8	12	8.5	15	11	22	16	28	20	32	24	40	30	37	28	47	35
M10	23	17	29	21	43	32	55	40	63	47	80	60	75	55	95	70
M12	40	29	50	37	75	55	95	70	110	80	140	105	130	95	165	120
M14	63	47	80	60	120	88	150	110	175	130	225	165	205	150	260	190
M16	100	73	125	92	190	140	240	175	275	200	350	255	320	240	400	300
M18	135	100	175	125	260	195	330	250	375	275	475	350	440	325	560	410
M20	190	140	240	180	375	275	475	350	530	400	675	500	625	460	800	580
M22	260	190	330	250	510	375	650	475	725	540	925	675	850	625	1075	800
M24	330	250	425	310	650	475	825	600	925	675	1150	850	1075	800	1350	1000
M27	490	360	625	450	950	700	1200	875	1350	1000	1700	1250	1600	1150	2000	1500
M30	675	490	850	625	1300	950	1650	1200	1850	1350	2300	1700	2150	1600	2700	2000
M33	900	675	1150	850	1750	1300	2200	1650	2500	1850	3150	2350	2900	2150	3700	2750
M36	1150	850	1450	1075	2250	1650	2850	2100	3200	2350	4050	3000	3750	2750	4750	3500

DO NOT use these values if a different torque value or tightening procedure is given for a specific application. Torque values listed are for general use only. Check tightness of fasteners periodically.

Shear bolts are designed to fail under predetermined loads. Always replace shear bolts with identical property class.

Fasteners should be replaced with the same or higher property class. If higher property class fasteners are used, these should only be tightened to the strength of the original.

Make sure fasteners threads are clean and that you

properly start thread engagement. This will prevent them from failing when tightening.

Tighten plastic insert or crimped steel-type lock nuts to approximately 50 percent of the dry torque shown in the chart, applied to the nut, not to the bolt head. Tighten toothed or serrated-type lock nuts to the full torque value.

a "Lubricated" means coated with a lubricant such as engine oil, or fasteners with phosphate and oil coatings. "Dry" means plain or zinc plated without any lubrication.

# Index

30840 - PTO Slip Clutch for Manure Spreader . . . . .	.5-3
30841 - PTO Secondary Shaft - Manure Spreader . . . . .	.5-5
30843 - RT650 Apron Chain Gearbox . . . . .	.6-3
30846 - Beater Gearbox . . . . .	.6-1
36638 - N750 Drive Line with Over Running Clutch . . . . .	.5-1
39850 - PTO. 375,450,525,600,750 (V80-141P028359-028028-CV80-CLS) . . . . .	.5-7
39852 - PTO. 600, 750,275 (T60-086P265011-306028-CLS(2500NM) . . . . .	.5-9
49996 - CNM650 Apron Chain Gearbox. . . . .	.6-5
Apron Drive . . . . .	2-14
Apron Runners . . . . .	2-28
Beaters . . . . .	2-10
Driveline . . . . .	2-24
Driveline (Current) . . . . .	2-26
Electric Flow Control Wiring . . . . .	3-22
Endgate Indicator Kit - 45813 . . . . .	3-28
Flange Paddle Kit - 41503 . . . . .	3-26
Flow Control Hydraulic Layout - Electric (Current). . . . .	3-21
Flow Control Hydraulic Layout - Electric (Original) . . . . .	3-20
Flow Control Hydraulic Layout - Manual. . . . .	3-19
Flow Control Mounting . . . . .	3-18
Front Components . . . . .	.2-4
Grease Line Layout . . . . .	2-32
Grease Line Layout (Current) . . . . .	2-34
Hitch Options . . . . .	.3-2
Hydraulic Layout . . . . .	2-30
Hydraulic Light Kit Cylinders . . . . .	.3-9
Hydraulic Light Kit Hoses . . . . .	3-10
ISO Safety Decal Locations . . . . .	.VIII
ISO Safety Decals . . . . .	. IX
Light Kit Base . . . . .	.3-6
Light Kit Wiring . . . . .	3-12
Lower Beater Assembly . . . . .	2-12
Manual Light Kit . . . . .	.3-8
Manuals . . . . .	. II
Mechanical Light Kit - 43675 . . . . .	.3-4
N750LC (GT400) / N750LCNT460 Scales . . . . .	3-16
N750LCNT8000 Scales . . . . .	3-17
N750SB - Single Axle Brake Kit . . . . .	3-14
N750TB - Tandem Axle Brake Kit . . . . .	3-15
Nitro Apron Chain Warranty . . . . .	. II
Optional Kit Numbers . . . . .	.3-1
Parts Manual . . . . .	. II
Poultry Beater (1st Change) - Spinners . . . . .	4-17
Poultry Beater (Current) - Beaters . . . . .	4-11

Poultry Beater (Current) - Drivelines . . . . .	4-21
Poultry Beater (Current) - Endgate . . . . .	4-13
Poultry Beater (Current) - Frame . . . . .	4-15
Poultry Beater (Current) - Spinners . . . . .	4-19
Poultry Beater Long Driveline - 43977 . . . . .	4-24
Poultry Beater Lower Gearbox - Current - 45002 . . . . .	4-29
Poultry Beater Lower Gearbox - Original - 37828 . . . . .	4-27
Poultry Beater Lower Side Gearbox - Current - 45003 . . . . .	4-31
Poultry Beater (Original) - Beaters . . . . .	4-1
Poultry Beater (Original) - Drivelines . . . . .	4-7
Poultry Beater (Original) - Endgate . . . . .	4-3
Poultry Beater (Original) - Frame . . . . .	4-5
Poultry Beater (Original) - Spinners . . . . .	4-9
Poultry Beater Short Driveline - 43976 . . . . .	4-23
Poultry Beater Side Gearbox - Original - 37827 . . . . .	4-25
Poultry Beater Upper Side Gearbox - Current - 45004 . . . . .	4-33
Rear Components . . . . .	2-8
Safety Decals . . . . .	VI
Safety Sign Locations . . . . .	V
Scrapers . . . . .	2-6
Section 2 - Parts Breakdowns & Lists . . . . .	2-1
Section 3 - Options . . . . .	3-1
Section 4: Poultry Beater . . . . .	4-1
Section 5 - PTOs . . . . .	5-1
Section 6: Gearboxes . . . . .	6-1
Serial Number . . . . .	II
Side - Floor Boards . . . . .	2-36
Silage Sides - TLVSSE750 . . . . .	3-24
Single Axle . . . . .	2-16
Single Axle (Current). . . . .	2-18
Tandem Axle . . . . .	2-20
Tandem Axle (Current) . . . . .	2-22
Tongue . . . . .	2-2
Torque Values - Imperial . . . . .	7-1
Torque Values - Metric . . . . .	8-1
Warranty and Limitation of Liability . . . . .	II





Scan with smartphone to  
download latest manual.

**TUBE•LINE™**