

TUBE•LINE™

Tubeline Manufacturing Limited
6455 Reid Woods Drive RR #4
Elmira, Ontario, Canada N3B 2Z3

Email: sales@tubeline.ca

Fax: 519.669.5808

Tel: 519.669.9488

Toll-free (North America): 1.888.856.6613

www.tubeline.ca

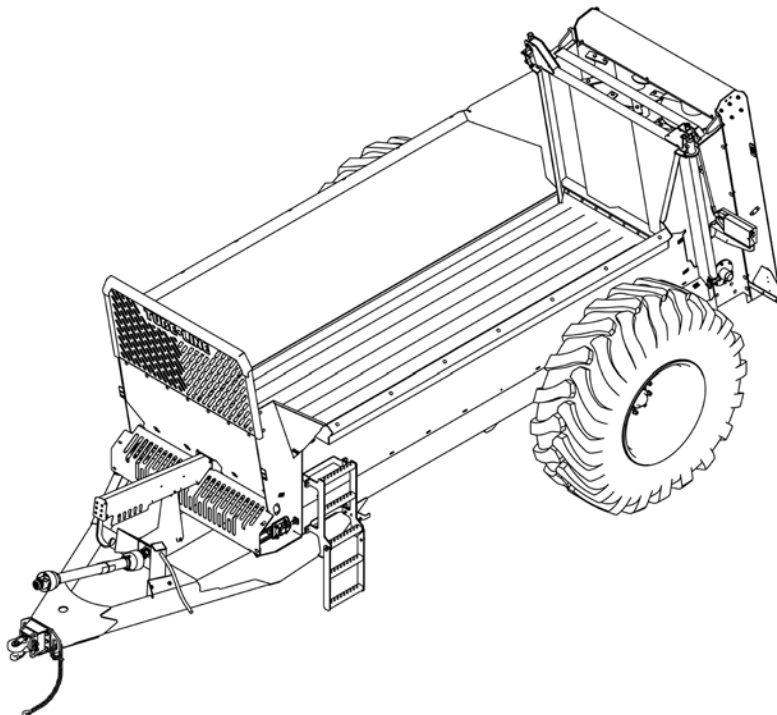
Parts Manual

Keep this manual with the machine at all times.

NITRO

Manure Spreader

Nitro 575RS



Parts Manual

Thank you for choosing the Tubeline 575RS Manure Spreader. Our hope is that it will give you many years of productive service. This machine is designed to wrap a continuous line of round bales in a film of plastic.

Warranty and Limitation of Liability

All equipment is sold subject to mutual agreement that it is warranted by the company to be free from defects of materials and workmanship. But the company shall not be liable for special, indirect or consequential, damages of any kind under this contract or otherwise. The company's liability shall be limited exclusively to replacing or repairing without charge, at its factory or elsewhere, at its discretion.

Any material, or workmanship defects which become apparent within one year from the date on which the equipment was purchased, and the company shall have no liability for damages of any kind. The buyer by the acceptance of the equipment will assume all liability for any damages, which may result from the use or misuse by his employees or others.

Nitro Apron Chain Warranty



Tubeline Manufacturing Ltd offers a limited lifetime non-transferable warranty to the original purchaser of a Nitro manure spreader. This warranty applies to chain link breakage and covers parts only. Should a connecting link fail, only it will be replaced. However, if a standard link breaks the complete chain will be provided. Freight and labor to install is the responsibility of the purchaser and is not covered under the terms of the limited warranty.

Tubeline Manufacturing Ltd reserves the right to request the return of the failed chain.

Warranty coverage is null and void unless Warranty Registration form has been completely filled in and is on file at Tubeline Manufacturing Ltd.

Manuals

Parts manuals are printed and shipped with machines as they leave the manufacturer. Your machine may include parts or features not yet included in the initially shipped manual. The latest manual version can be found at www.tubeline.ca/support. Tubeline reserves the right to update and change manuals as seen fit. Dealers are informed of any pressing changes/ modifications. They can help you with any questions regarding replacement parts.

Serial Number

The implement serial number is located above the front left apron drive bearing. This number helps us to track changes and improvements and must be mentioned when ordering parts or requesting service. For your convenience, a space has been provided inside the front cover of this manual to record the serial number, model number, purchase date, and dealer name.

Model No: _____ N575RS _____

Serial No: _____

Date Purchased: _____

Dealer Name: _____

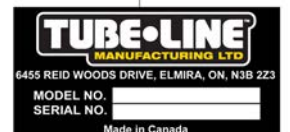
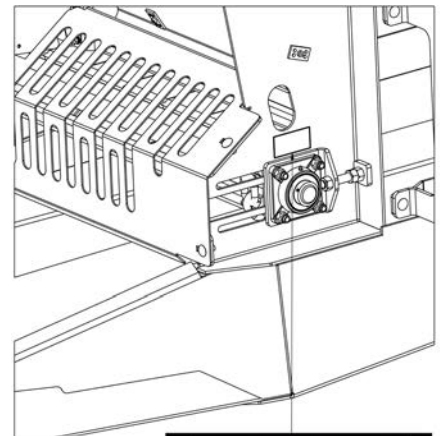


Table of Contents

Parts Manual	II
Warranty and Limitation of Liability	II
Nitro Apron Chain Warranty	II
Manuals	II
Serial Number	II
Safety Sign Locations	V
Model Decal Locations	V
ISO Safety Decal Locations	VI
ISO Safety Decals	VII
Section 2 - Parts Breakdowns & Lists	2-1
Tongue Components	2-2
Front Components	2-4
Front Apron Drive	2-6
Driveline	2-8
Endgate	2-10
450-106 - Beater Assembly - Up to SN 22NRS375 & 22NRS31001 - 23NRS370	2-12
Beater Gearbox - 1 3/4" 6-Spline - Up to SN 22NRS375 & 22NRS31001 - 23NRS370	2-14
49270 - Beater Assembly - SN 22NRS376-3100 & 23NRS371 - Current	2-16
44700 - Beater Greaselines - SN 22NRS376-3100 & 23NRS371 - Current	2-18
Floor & Side Boards	2-19
Rear Apron Drive	2-20
Single Axle	2-22
Tandem Axle	2-24
Apron Runners	2-26
Hydraulic Layout	2-28
Section 3 - Optional Features	3-1
Optional Kit Numbers	3-1
Hitch Options	3-2
Mechanical Light Kit - 43673	3-4
Light Kit Wiring Harness	3-6
Single Axle - Scale Ready	3-8
Tandem Axle - Scale Ready	3-10
N750LC (GT400) / N750LCNT460 Scales	3-12
N750LCNT8000 Scales	3-13
Flow Control Mounting	3-14
Flow Control Hydraulic Layout - Manual	3-15
Flow Control Hydraulic Layout - Electric (Original)	3-16
Flow Control Hydraulic Layout - Electric (Current)	3-17
Electric Flow Control Wiring	3-18
N575SB - Single Axle Brake Kit	3-20
N575TB - Tandem Axle Brake Kit	3-21
Flange Paddle Kit - 41504 - Up to SN 22NRS375 & 22NRS31001 - 23NRS370	3-22
Flange Paddle Kit - 47553 - SN 22NRS376-3100 & 23NRS371 - Current	3-23
Endgate Indicator Kit - 45862	3-24
Silage Side Extensions - 49427	3-26
Section 4 - Option - Poultry Beaters	4-1
Poultry Beaters - Frame	4-1
Poultry Beaters - Endgate	4-3
Poultry Beaters - Beaters	4-5
Poultry Beaters - Drivelines	4-7
Poultry Beaters - Spinners	4-9

Section 5 - PTOs	5-1
39850 - PTO. 375,450,525,600,750 (V80-141P028359-028028-CV80-CLS)	5-2
39851 - PTO. 375,450,525,(T60-086P265011-306048-CLS(3500NM))	5-4
Section 6 - Gearboxes	6-1
30842 - Apron Chain Gearbox.	6-2
49995 - Apron Chain Gearbox.	6-4
30847-2 - 1 3/4" Spline Shaft Gearbox (9.278.760.00)	6-6
30848 - Centre Gearbox (9.290.621.00)	6-8
49188 - One Piece Beater Gearbox - SN 22NRS376-3100 & 23NRS371 - Current.	6-10
Torque Value Chart - Imperial	VIII
Torque Value Chart - Metric	IX

Safety Sign Locations

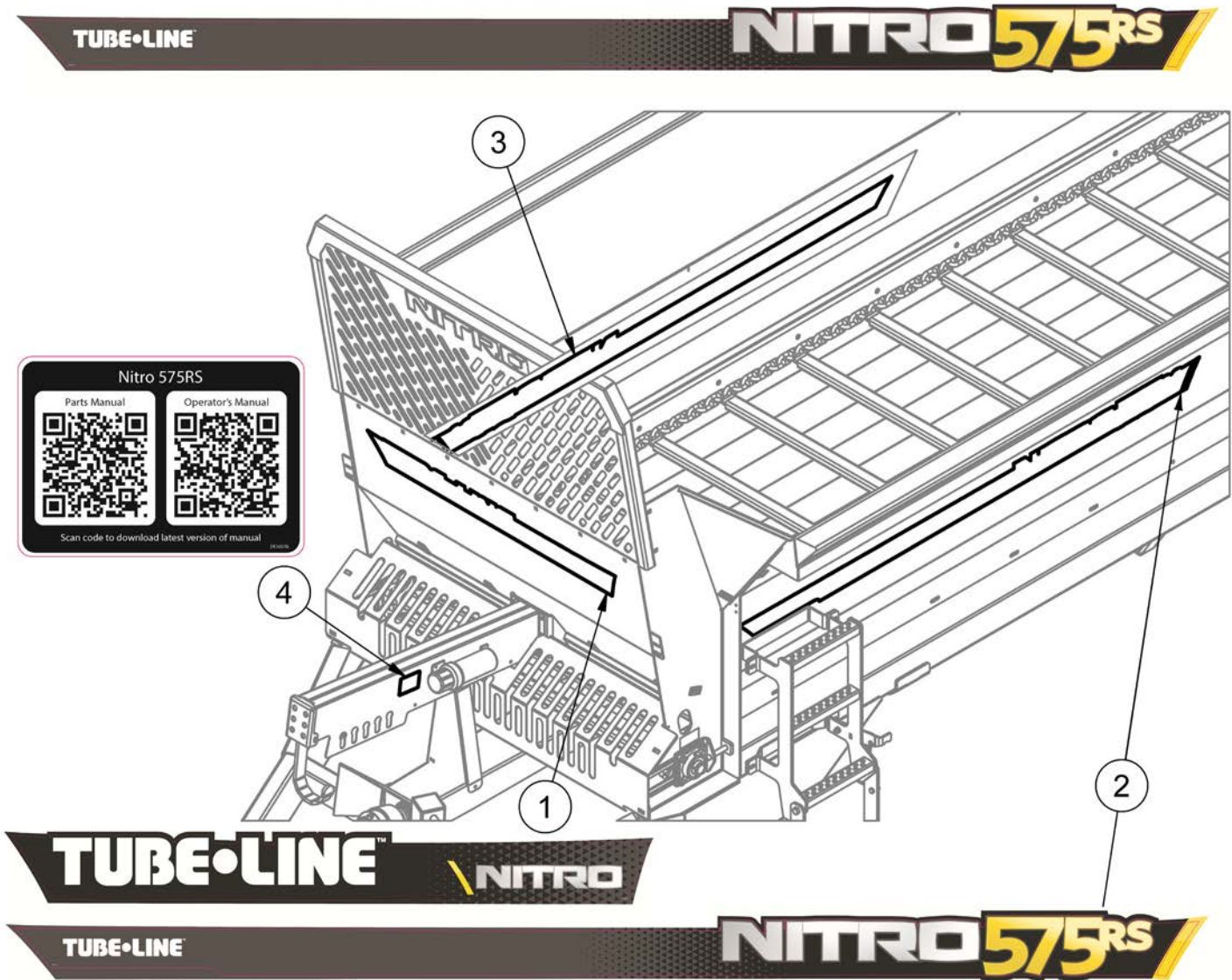
The types of safety signs and locations on the equipment are shown in the illustrations that follow. Good safety requires that you familiarize yourself with the various safety signs, the types of warning, and the area, or proper function related to that area, that requires your safety awareness.

Examples only - Actual decals may differ in text and graphic representation.

REMEMBER

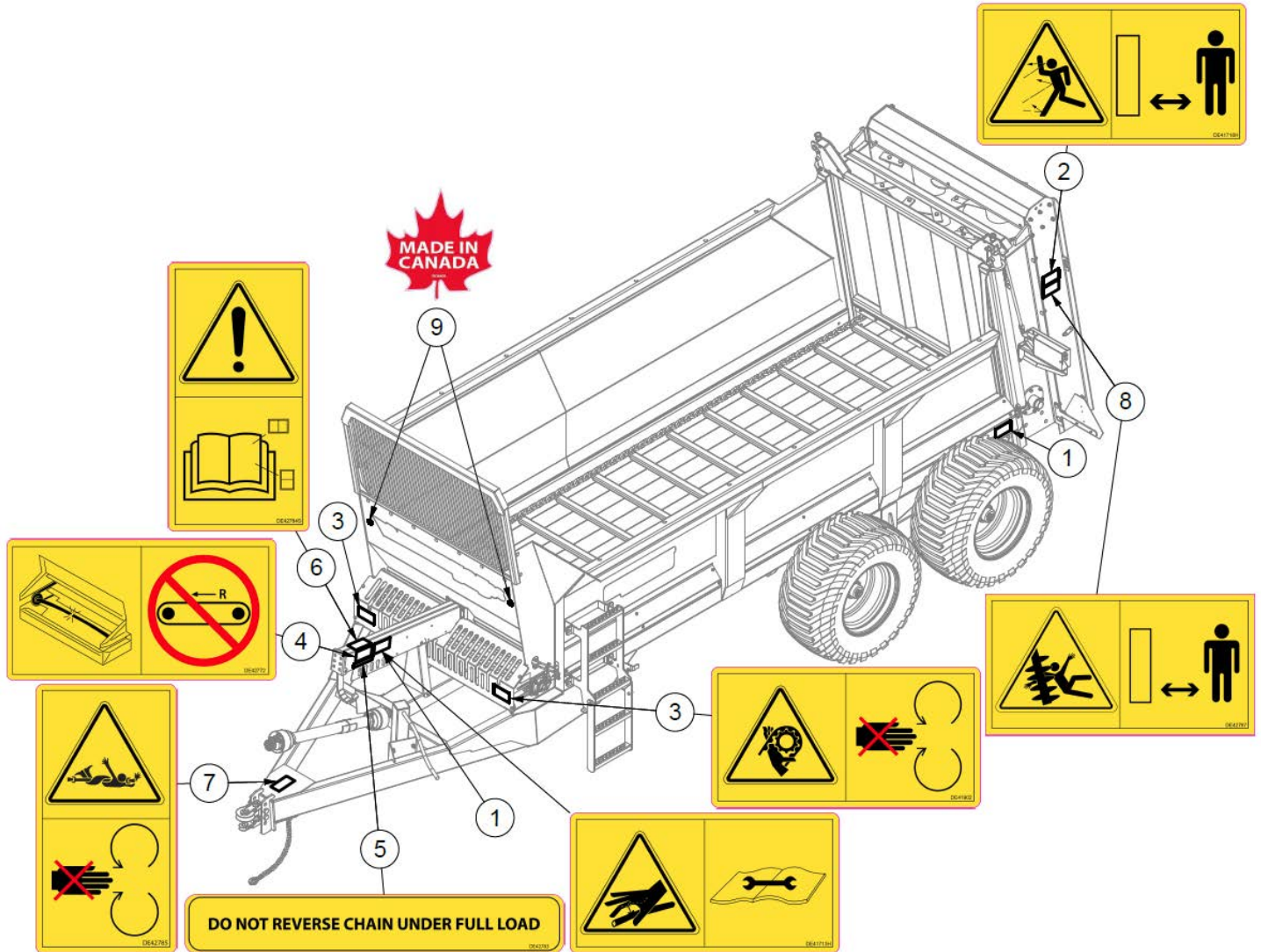
If safety signs have been damaged, removed, become illegible or parts replaced without safety signs, new safety signs must be applied. New safety signs are available from your authorized dealer.

Model Decal Locations



ITEM	QTY	PART NUMBER	DESCRIPTION
1	1	DE43930	Nitro 375/525 Front Decal
2	1	DE45953	575RS Model Decal - Left
3	1	DE45954	575RS Model Decal - Right
4	1	DE50036	575RS QR Code Decal

ISO Safety Decal Locations



ITEM	QTY	PART NUMBER	DESCRIPTION
1	6	DE41713H	ISO Decal - High Pressure Fluid Horizontal
2	2	DE41718H	ISO Decal - Thrown Object Horizontal
3	2	DE41902	ISO Decal - Chain Entanglement
4	1	DE42772	ISO Decal - Nitro Reverse Chain
5	1	DE42783	Nitro Reverse Chain Text Decal
6	1	DE42784	ISO Decal - Read OM Decals Section
7	1	DE42785	ISO Decal - PTO Entanglement
8	2	DE42787	ISO Decal - Nitro Beater Entanglement
9	2	DECANADA	Decal Made In Canada

ISO Safety Decals



Item 1: DE41713H

Do not use hand to check for hydraulic leaks, alternatively use a piece of cardboard.



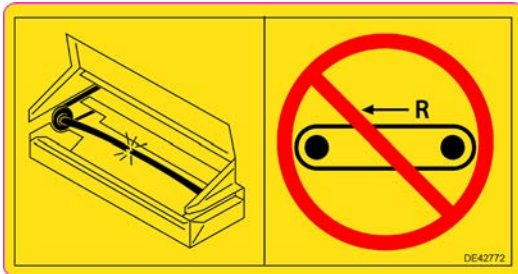
Item 2: DE41718H

Keep clear of machine while operating. Serious injury may occur.



Item 3: DE41902

Keep hands clear of rotating parts while machine running. Do not operate without shielding in place. Do not wear loose clothing while operating.



Item 4: DE42772

Reversing apron chain while spreader is fully loaded will cause front apron shaft breakage.



Item 5: DE42783



Item 6: DE42784

Read Operator's manual decal section to understand safety decals.



Item 7: DE42785

Do not use hand to check for hydraulic leaks, alternatively use a piece of cardboard.

Item 8: DE42787

Stand clear of rotating beaters to avoid entanglement. Serious injury or death hazard.



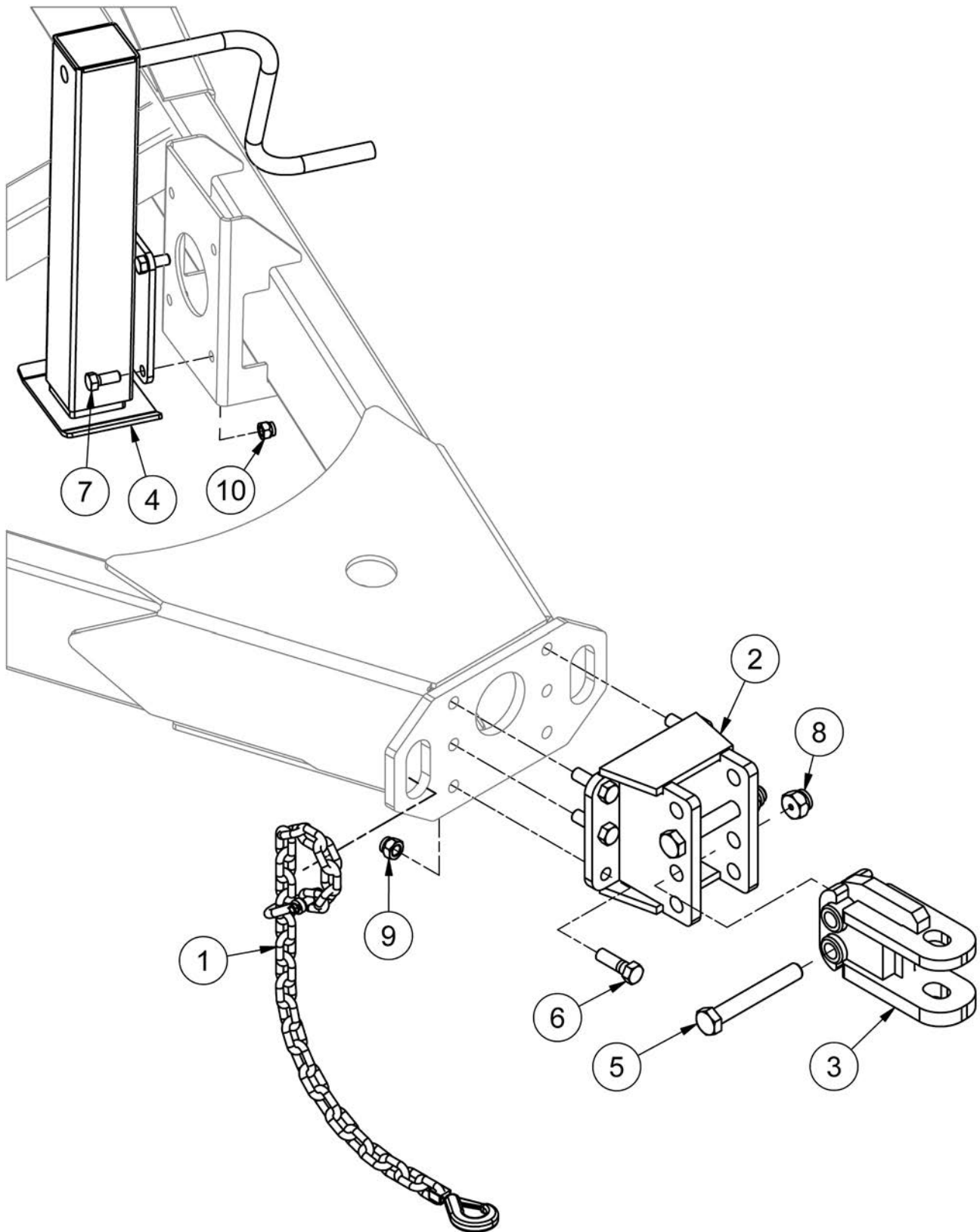
Item 9: DECANADA

Manufacturer's country of origin.



Section 2 - Parts Breakdowns & Lists

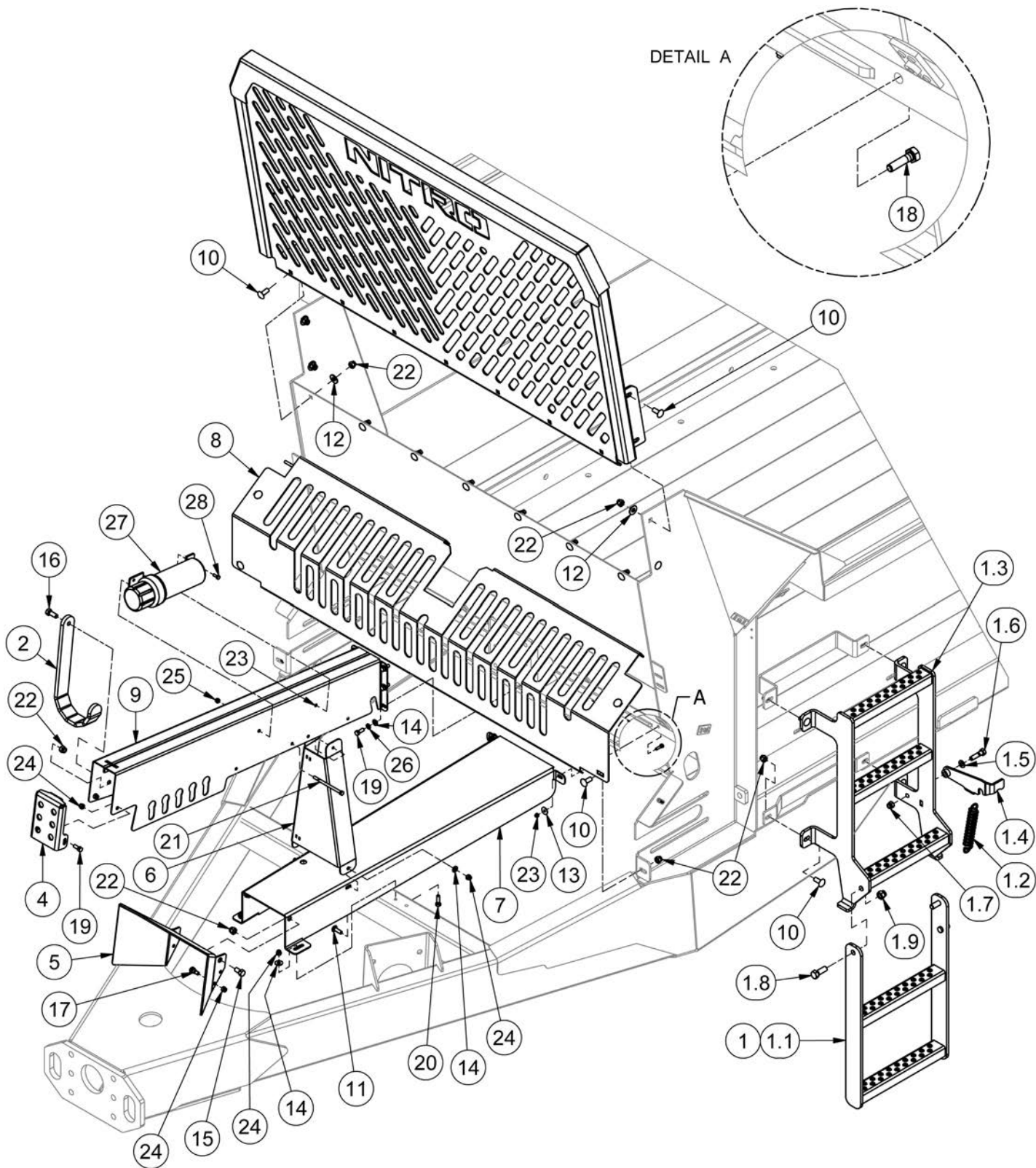
Tongue Components



Tongue Components

ITEM	QTY	PART NUMBER	DESCRIPTION	NOTE
1	1	25262	Safety Chain 20000 # 60"	
2	1	35451	Pull Plate	
3	1	40471	Clevis Hitch Weldment	See Hitch Options
4	1	BW-1005	Jack	
5	2	HB1-14X7YZ8	Hex Bolt 1-14x7 Grade 8 Zinc Hex Cap Screw	
6	6	HB3/4-10X2.5Z5	Hex Bolt 3/4-10x2 1/2 Grade 5 Zinc Plated Hex Cap Screw	
7	4	HB5/8-11X1.5Z5	Hex Bolt 5/8-11x1 1/2 Grade 5 Zinc Plated Hex Cap Screw	
8	2	LN1-14NFZ8	1-14 Gr.8 Zinc Nylon Lock Nut	
9	6	LN3/4-10NCZ5	LN 3/4-10 Zinc Plated Nylon Insert Lock Nut	
10	4	LN5/8-11NCZ5	LN 5/8-11 Zinc Plated Nylon Insert Lock Nut	

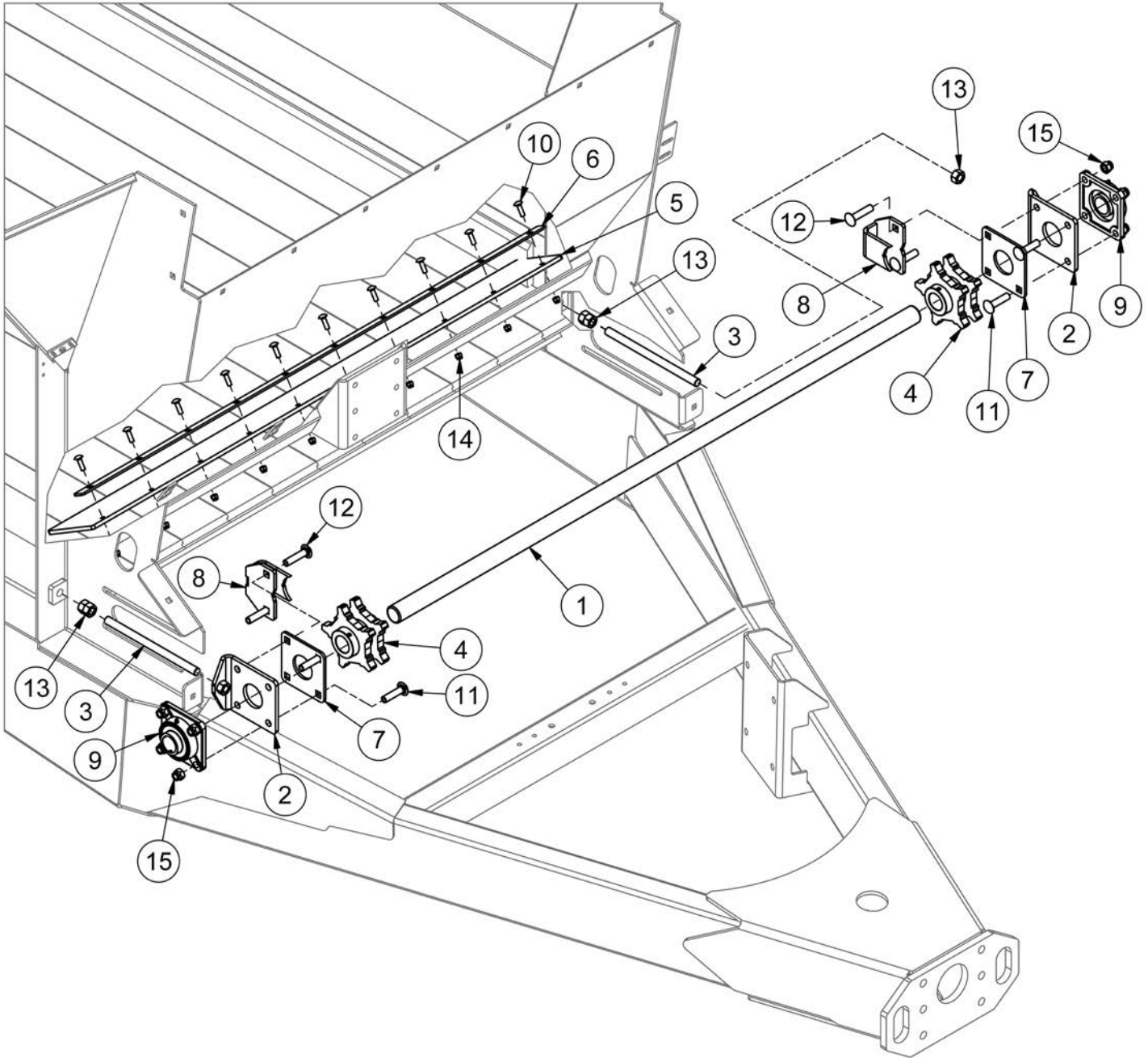
Front Components



Front Components

ITEM	QTY	PART NUMBER	DESCRIPTION
1	1	600-322	Complete Ladder
1.1	1	700-608	Bottom Ladder Section
1.2	1	700-127	Spring
1.3	1	600-323	Top Ladder Section
1.4	1	35389	Ladder Latch
1.5	1	FW 1/2	Flatwasher - 1/2" Zinc Plated USS
1.6	1	HB 1/2-13X2 Z5	Hex Bolt 1/2-13x2 Grade 5 Zinc Plated Hex Cap Screw
1.7	1	LN 1/2 N	LN 1/2-13 Zinc Plated Nylon Insert Lock Nut
1.8	2	HB 5/8-11X1.75 Z5	Hex Bolt 5/8-11x1 3/4 Grade 5 Zinc Plated Hex Cap Screw
1.9	2	LN 5/8 N	LN 5/8-11 Zinc Plated Nylon Insert Lock Nut
2	1	35754	PTO Holder
4	1	39413	Hose Mount
5	1	39422	PTO Front Pivot Cover
6	1	39452	HRP 0.105 in
7	1	39455	Long PTO Cover
8	1	43472	Front Idler Shaft Cover
9	1	43902	Hydraulic Hose Hanger
10	15	CB1/2-13X1.25CZ5	Carriage Bolt - 1/2-13 x 1 1/4" Grade 5 Zinc
11	12	CB3/8-16X1.25CZ5	Carriage Bolt - 3/8-16 x 1 1/4" Grade 5 Zinc
12	11	FW 1/2	Flatwasher - 1/2" Zinc Plated USS
13	2	FW 1/4	Flatwasher - 1/4" Zinc Plated USS
14	10	FW 3/8	Flatwasher - 3/8" Zinc Plated USS
15	2	HB1/2-13X1Z5	Hex Bolt 1/2-13x1 Grade 5 Zinc Plated Hex Cap Screw
16	1	HB 1/2-13X1.25 Z5	Hex Bolt 1/2-13x1 1/4 Grade 5 Zinc Plated Hex Cap Screw
17	1	SHSS1/2X3/8X3/8-16Z	Socket Head Shoulder Screws - 1/2 Shldr x 3/8 x 3/8-16
18	2	HB1/4-20X1Z5	Hex Bolt 1/4-20x1 Grade 5 Zinc Plated Hex Cap Screw
19	8	HB3/8-16X1Z5	Hex Bolt 3/8-16x1 Grade 5 Zinc Plated Hex Cap Screw
20	2	HB3/8-16X1.25Z5	Hex Bolt 3/8-16x1 1/4 Grade 5 Zinc Plated Hex Cap Screw
21	1	HB 5/16-18X5 Z5	Hex Bolt 5/16-18x5 Grade 5 Zinc Plated Hex Cap Screw
22	20	LN1/2-13NCZ5	LN 1/2-13 Zinc Plated Nylon Insert Lock Nut
23	2	LN1/4-20NCZ5	LN 1/4-20 Zinc Plated Nylon Insert Lock Nut
24	7	LN3/8-16NCZ5	LN 3/8-16 Zinc Plated Nylon Insert Lock Nut
25	1	LN5/16-18NCZ5	LN 5/16-18 Zinc Plated Nylon Insert Lock Nut
26	6	LW 3/8	LW - 3/8" Zinc Plated Medium Split
27	1	TL5X2-201-111	Operator's Manual Holder
28	2	HB1/4-20X0.75Z5	Hex Bolt 1/4-20x3/4 Grade 5 Zinc Plated Hex Cap Screw

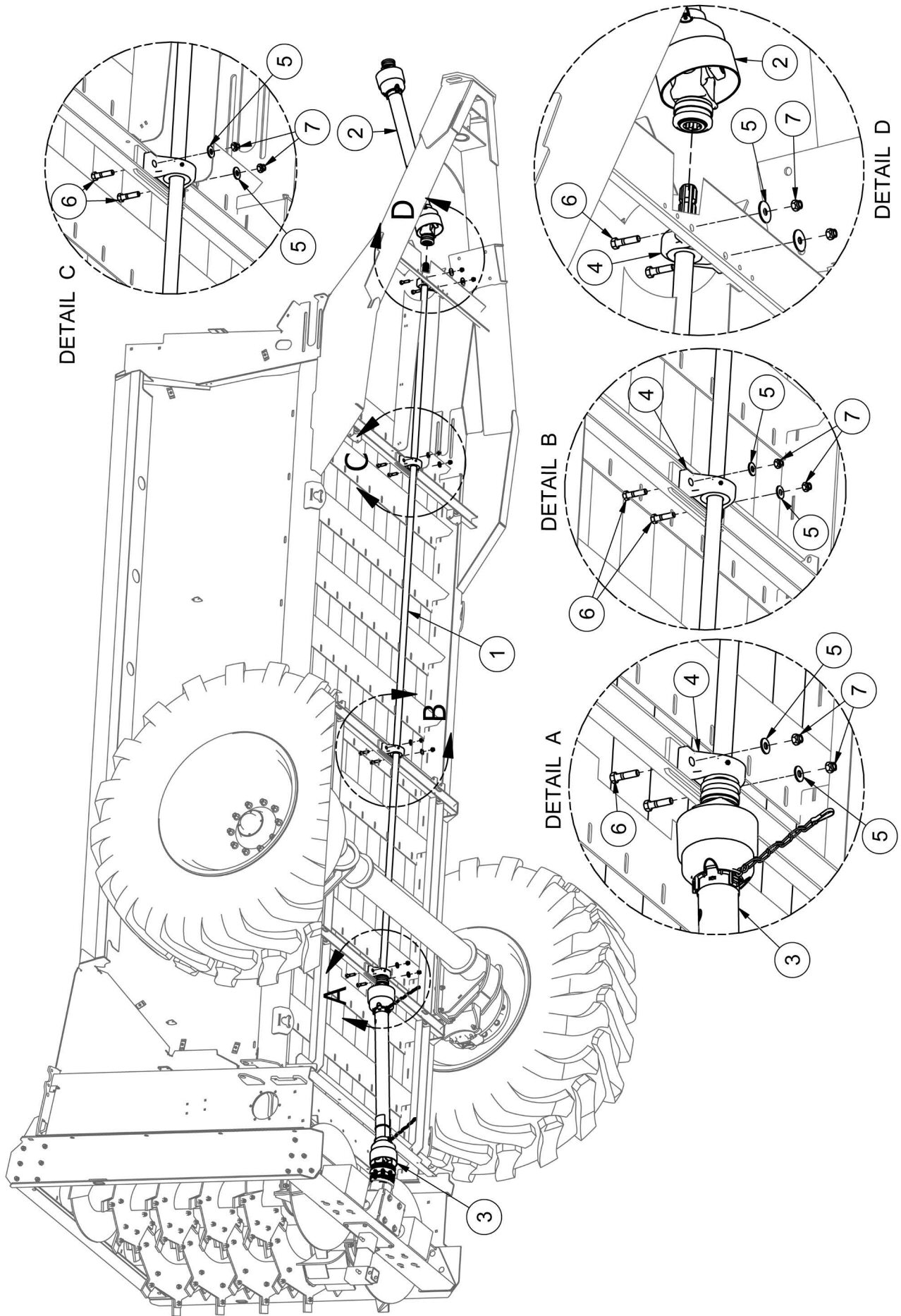
Front Apron Drive



Front Apron Drive

ITEM	QTY	PART NUMBER	DESCRIPTION
1	1	400-162	Front Apron Drive Shaft
2	2	400-169	Bearing Mount Plate
3	2	400-875	Threaded Tightener
4	2	400-916	Sprocket Apron (With Set Screws)
5	1	450-441	Rubber Seal
6	1	600-790	Rubber Hold Down
7	2	37720	Inside Bearing Plate
8	2	45445	RS Series Front Scraper
9	2	BEA UCF209-28R3	Flange Bearing, Triple Seal, Ductile Iron
10	10	CB3/8-16X1.25CZ5	Carriage Bolt - 3/8-16 x 1 1/4" Grade 5 Zinc
11	4	CB5/8-11X2.5CZ5	Carriage Bolt - 5/8-11 x 2 1/2" Grade 5 Zinc
12	4	CB5/8-11X2.75CZ5	Carriage Bolt - 5/8-11 x 2 3/4" Grade 5 Zinc
13	6	HN3/4-10CZ5	Hex Nut 3/4"-10 Grade 5 Zinc Plated Finished
14	10	LN3/8-16NCZ5	LN 3/8-16 Zinc Plated Nylon Insert Lock Nut
15	8	LN5/8-11NCZ5	LN 5/8-11 Zinc Plated Nylon Insert Lock Nut

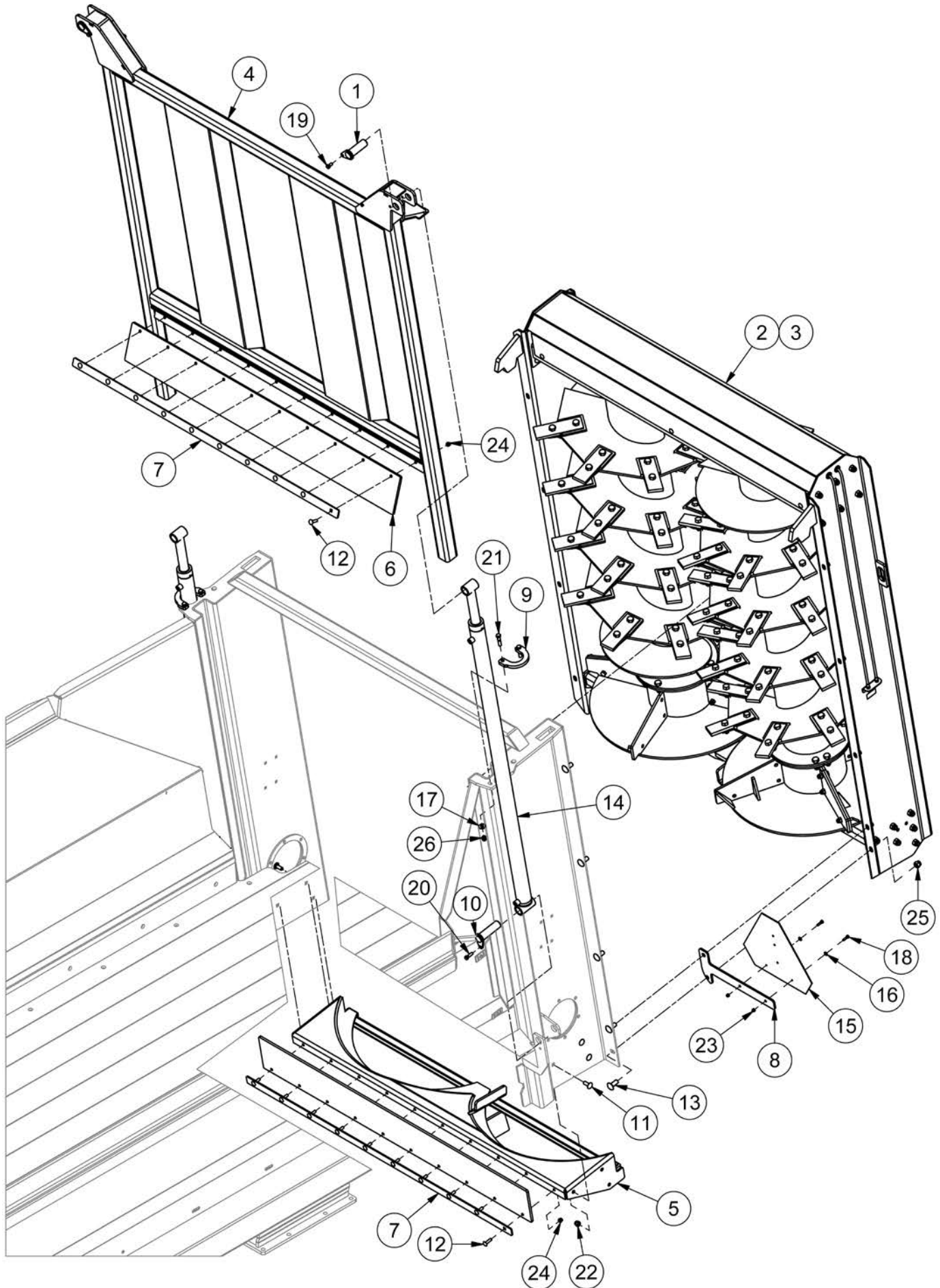
Driveline



Driveline

ITEM	QTY	PART NUMBER	DESCRIPTION	NOTE
1	1	49810	CV Spline Driveshaft	
2	1	39850	PTO V80-141P028359-028028-CV80-CLS	Brkdwn Pg.5-2
3	1	39851	PTO T60-086P265011-306048-CLS(3500NM)	Brkdwn Pg.5-4
4	4	BEA UCP208-24R3	Pillow Block Bearing	
5	8	FW 1/2	Flatwasher - 1/2" Zinc Plated USS	
6	8	HB1/2-13X2Z5	Hex Bolt 1/2-13x2 Grade 5 Zinc Plated Hex Cap Screw	
7	8	LN1/2-13NCZ5	LN 1/2-13 Zinc Plated Nylon Insert Lock Nut	

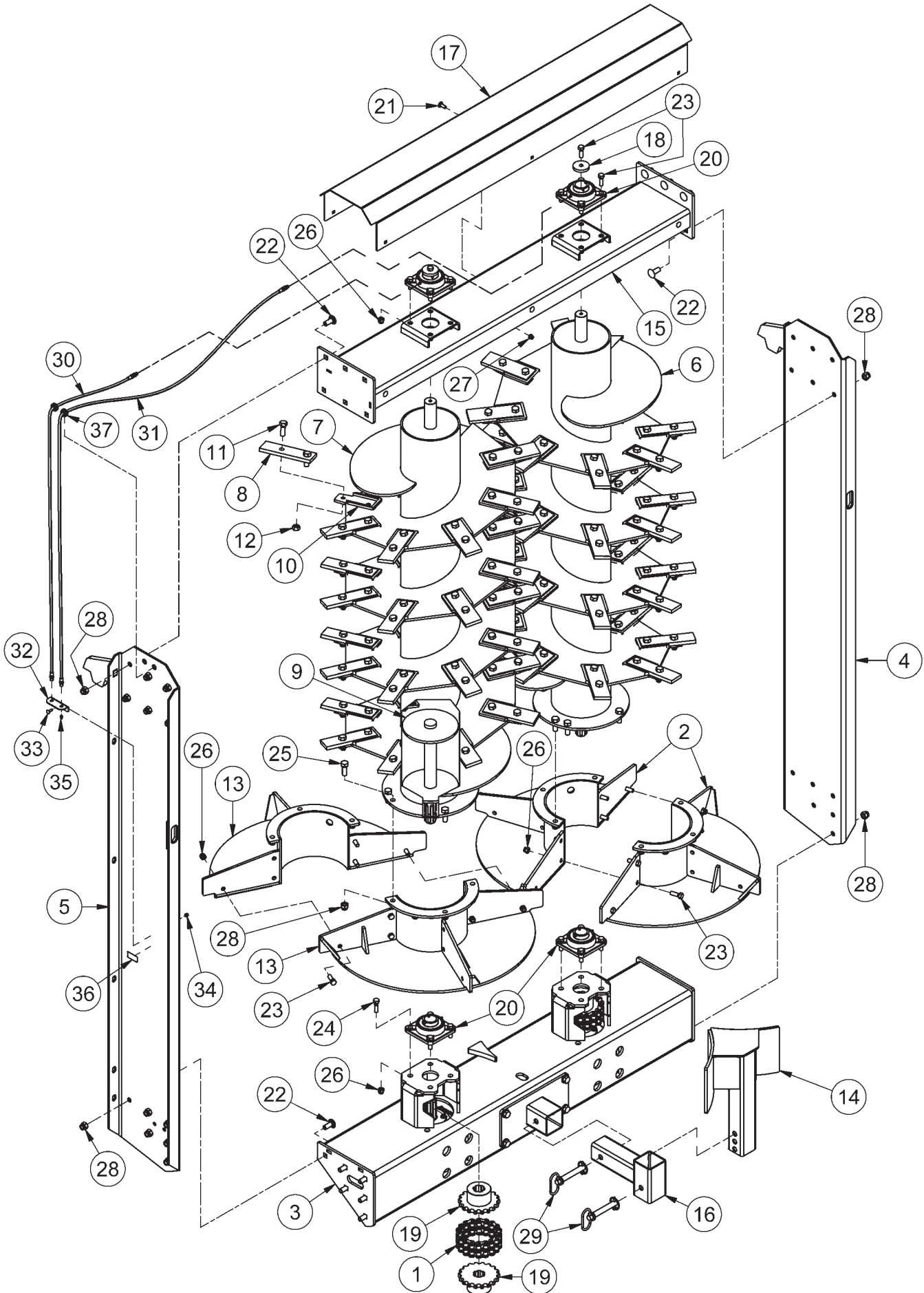
Endgate



Endgate

ITEM	QTY	PART NUMBER	DESCRIPTION	NOTE
1	2	400-601	Top Cylinder Pin	
2	1	450-106	Beater Assembly	Brkdwn Pg.2-12
3	1	49270	450/575 Vertical Beater Kit	Brkdwn Pg.2-16
4	1	450-126	Endgate	
5	1	450-130	Spinner Shroud	
6	2	450-441	Rubber Seal	
7	2	600-790	Rubber Hold Down	
8	1	700-108	SMV Sign Mount	
9	2	700-142	Endgate Cylinder Support	
10	2	700-619	Bottom Cylinder Pin	
11	6	CB1/2-13X1.25CZ5	Carriage Bolt - 1/2-13 x 1 1/4" Grade 5 Zinc	
12	20	CB3/8-16X1.375CZ5	Carriage Bolt - 3/8-16 x 1 3/8" Grade 5 Zinc	
13	9	CB5/8-11X1.5CZ5	Carriage Bolt - 5/8-11 x 1 1/2" Grade 5 Zinc	
14	2	CYL31731	Cylinder 2.0x56.75x1.5 Nitro450	
15	1	DESMV	Slow Moving Vehicle Sign	
16	2	FW 1/4	Flatwasher - 1/4" Zinc Plated USS	
17	4	FW 7/16	Flatwasher - 7/16" Zinc Plated USS	
18	2	HB1/4-20X1Z5	Hex Bolt 1/4-20x1 Grade 5 Zinc Plated Hex Cap Screw	
19	2	HB3/8-16X0.75Z5	Hex Bolt 3/8-16x3/4 Grade 5 Zinc Plated Hex Cap Screw	
20	2	HB3/8-16X1.25Z5	Hex Bolt 3/8-16x1 1/4 Grade 5 Zinc Plated Hex Cap Screw	
21	4	HB7/16-14X2Z5	Hex Bolt 7/16-14x2 Grade 5 Zinc Plated Hex Cap Screw	
22	6	LN1/2-13NCZ5	LN 1/2-13 Zinc Plated Nylon Insert Lock Nut	
23	2	LN1/4-20NCZ5	LN 1/4-20 Zinc Plated Nylon Insert Lock Nut	
24	20	LN3/8-16NCZ5	LN 3/8-16 Zinc Plated Nylon Insert Lock Nut	
25	9	LN5/8-11NCZ5	LN 5/8-11 Zinc Plated Nylon Insert Lock Nut	
26	4	LN7/16-14NCZ5	LN 7/16-14 Zinc Plated Nylon Insert Lock Nut	

450-106 - Beater Assembly - Up to SN 22NRS375 & 22NRS31001 - 23NRS370

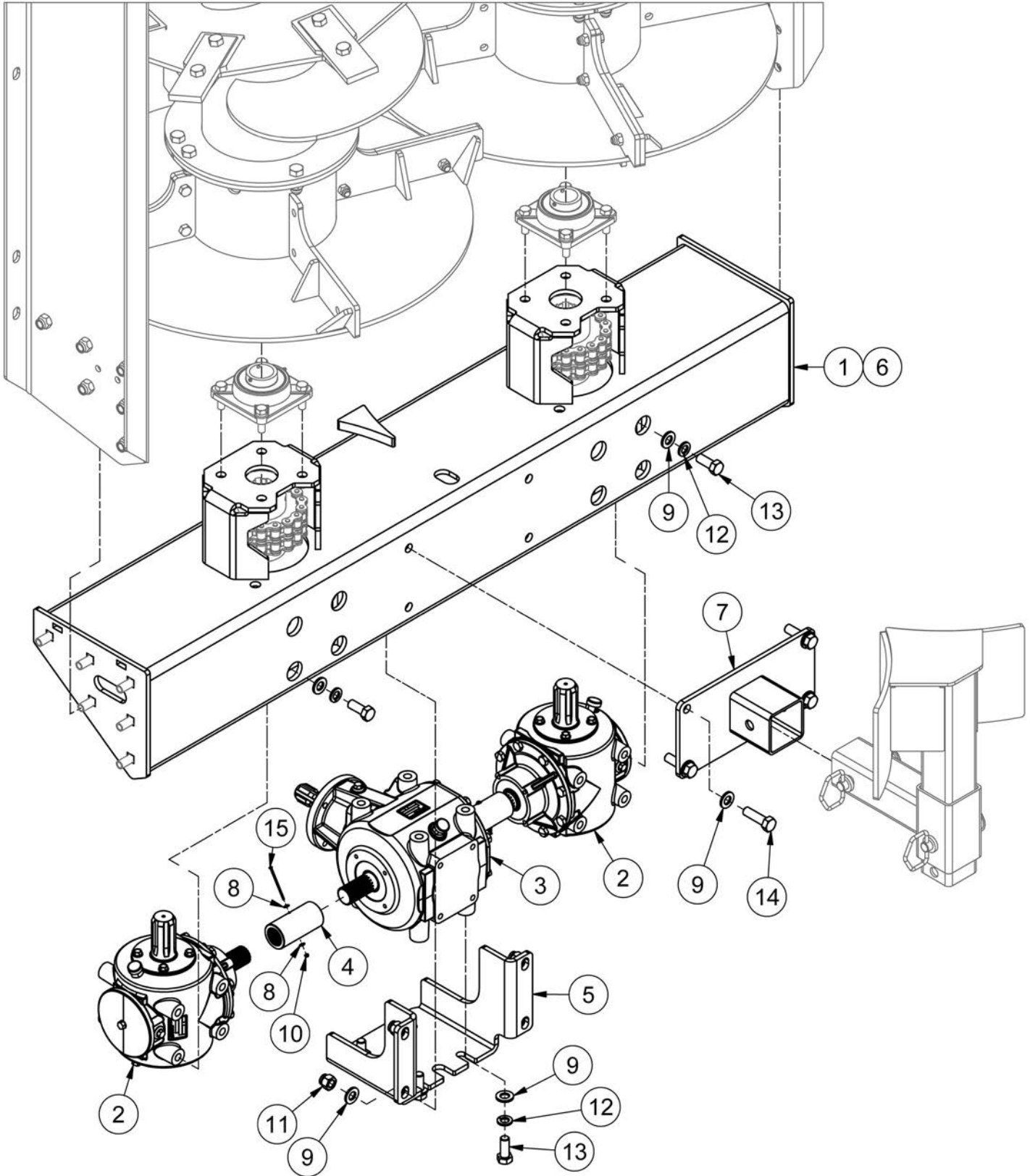


450-106 - Beater Assembly - Up to SN 22NRS375 & 22NRS31001 - 23NRS370

ITEM	QTY	PART NUMBER	DESCRIPTION	NOTE
1	2	31518	#80 Coupling Chain	
2	2	36966	450/600 Right Beater Spinner	
3	1	40684	Rear Drive Assembly T290A	See Pg.2-14
4	1	450-107	Side Frame Beater Right	
5	1	450-108	Side Frame Beater Left	
6	1	450-111	Right Beater	Items 8-12
7	1	450-112	Left Beater	Items 8-12
8	32	400-438	Beater Paddle	Qty=1 Beater
9	1	45098	Lower Shaft Assembly (375-525)	Qty=1 Beater
10	32	47476	Paddle Retainer	Qty=1 Beater
11	64	HB5/8-11X1.75Z5	Hex Bolt 5/8-11x1 3/4 Grade 5 Zinc Plated Hex Cap Screw	Qty=1 Beater
12	64	LN5/8-11TCZ5	LN5/8-11 Gr.C Zinc Top Lock Nut	Qty=1 Beater
13	2	450-116	450/600 Left Beater Spinner	
14	1	450-131	Beater Deflector	
15	1	450-133	Cross Beam Beater Top	
16	1	450-134	Deflector Mount Insert	
17	1	450-405	Top Beater Cover	
18	2	700-157	Load Bearing Washer	
19	4	700-645	Sprocket 80T18-1.75 X 6 Spline	
20	4	BEA UCF209-28R3	Flange Bearing, Triple Seal, Ductile Iron	
21	6	CB3/8-16X1CZ5	Carriage Bolt - 3/8-16 x 1" Grade 5 Zinc	
22	24	CB5/8-11X1.5CZ5	Carriage Bolt - 5/8-11 x 1 1/2" Grade 5 Zinc	
23	22	HB1/2-13X1.5Z5	Hex Bolt 1/2-13x1 1/2 Grade 5 Zinc Plated Hex Cap Screw	
24	8	HB1/2-13X1.75Z5	Hex Bolt 1/2-13x1 3/4 Grade 5 Zinc Plated Hex Cap Screw	
25	12	HB5/8-11X1.75Z5	Hex Bolt 5/8-11x1 3/4 Grade 5 Zinc Plated Hex Cap Screw	
26	28	LN1/2-13NCZ5	LN 1/2-13 Zinc Plated Nylon Insert Lock Nut	
27	6	LN3/8-16NCZ5	LN 3/8-16 Zinc Plated Nylon Insert Lock Nut	
28	36	LN5/8-11NCZ5	LN 5/8-11 Zinc Plated Nylon Insert Lock Nut	
29	2	TL550-100-050	Push Off Pin	
30	1	36623	Hose - HH67 - 2R7(2MPX,2GKCY) HCL 67"	
31	1	36624	Hose - HH99 - 2R7(2MPX,2GKCY) HCL 99"	
32	1	37849	Nitro Grease Line Mount	
33	1	CB1/4-20X0.75CZ5	Carriage Bolt - 1/4-20 x 3/4" Grade 5 Zinc	
34	1	LN1/4-20NCZ5	LN 1/4-20 Zinc Plated Nylon Insert Lock Nut	
35	2	GR 1/4 X 28	Grease Fitting 1/4-28 Straight Standard Zerk	
36	1	DE23979	Grease Decal	
37	2	TL5X2-100-143	.625" ID Grommet	

Refer to [Pg.3-22](#) for flange paddle kit parts.

Beater Gearbox - 1 3/4" 6-Spline - Up to SN 22NRS375 & 22NRS31001 - 23NRS370

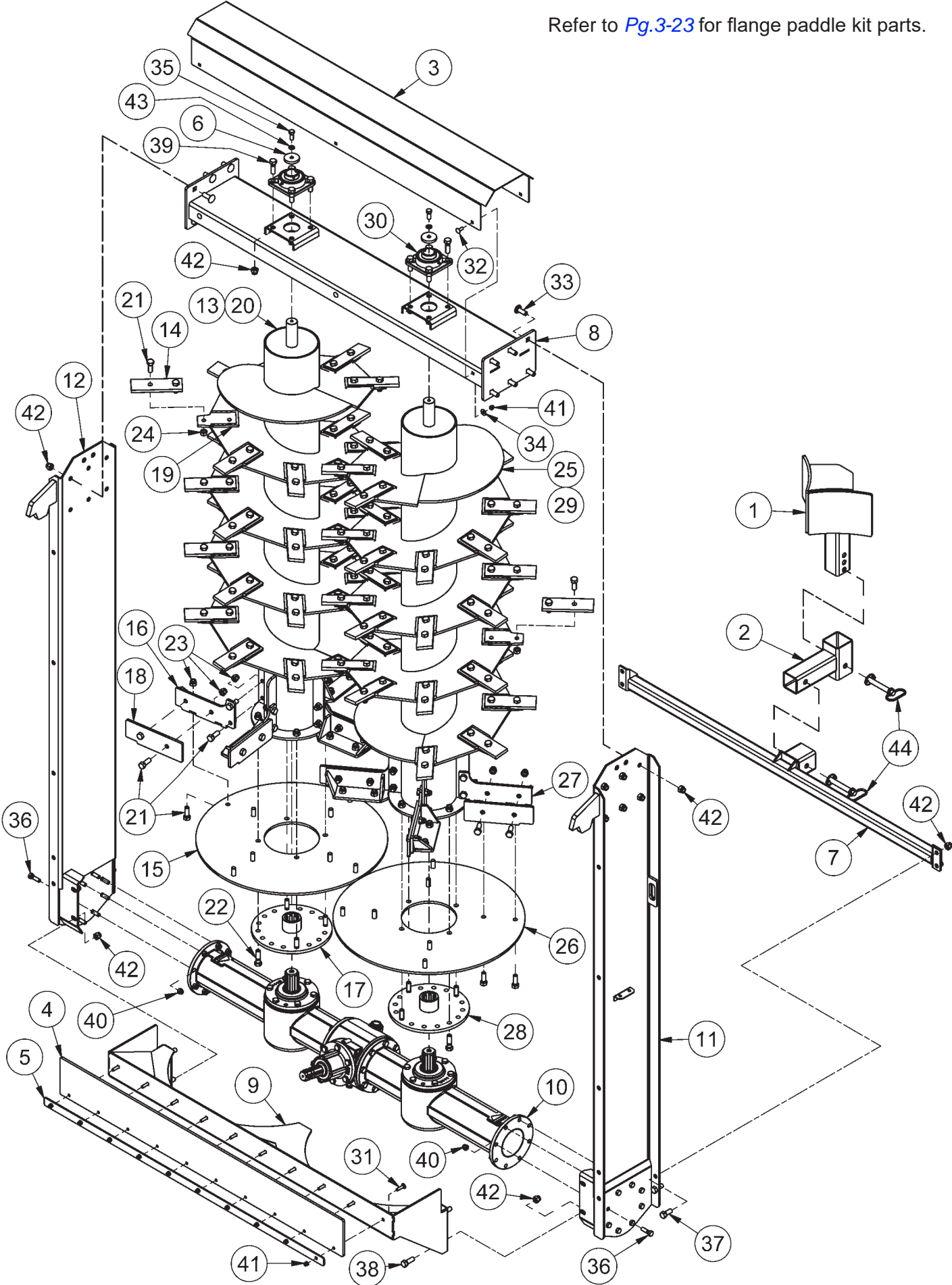


Beater Gearbox - 1 3/4" 6-Spline - Up to SN 22NRS375 & 22NRS31001 - 23NRS370

ITEM	QTY	PART NUMBER	DESCRIPTION	NOTE
1	1	40684	Rear Drive Assembly T290A	All Items
2	2	30847-2	Gear Box 1000 PTO - 540 1 3/4 Spline Output	See Pg.6-4
3	1	30848	Gear Box - Center - Spreaders	See Pg.6-6
4	2	30849	Sleeve - Gear Box Spreaders 1.38 x 18 Spline	
5	1	403-912	Mounting Bracket Gearbox	
6	1	450-115	Cross Beam Beater Bottom	
7	1	450-139	Deflector Mount Socket	
8	4	Bonded Washer - No.4		
9	20	FW16MM	Metric Flat Washer	
10	2	LN#4-40NCZ5	LN 4-40 Zinc Plated Nylon Insert Lock Nut	
11	4	LM16-2CZ5	Locknut - M16-2 Zinc Plated Nylon Insert Lock Nut	
12	12	LWM16	Lockwasher - M16	
13	12	M16X40X2	Metric Bolt	
14	4	M16X55X2	Metric Bolt	
15	2	MS #4X40X2.5	Machine Screw - (Inch)	

49270 - Beater Assembly - SN 22NRS376-3100 & 23NRS371 - Current

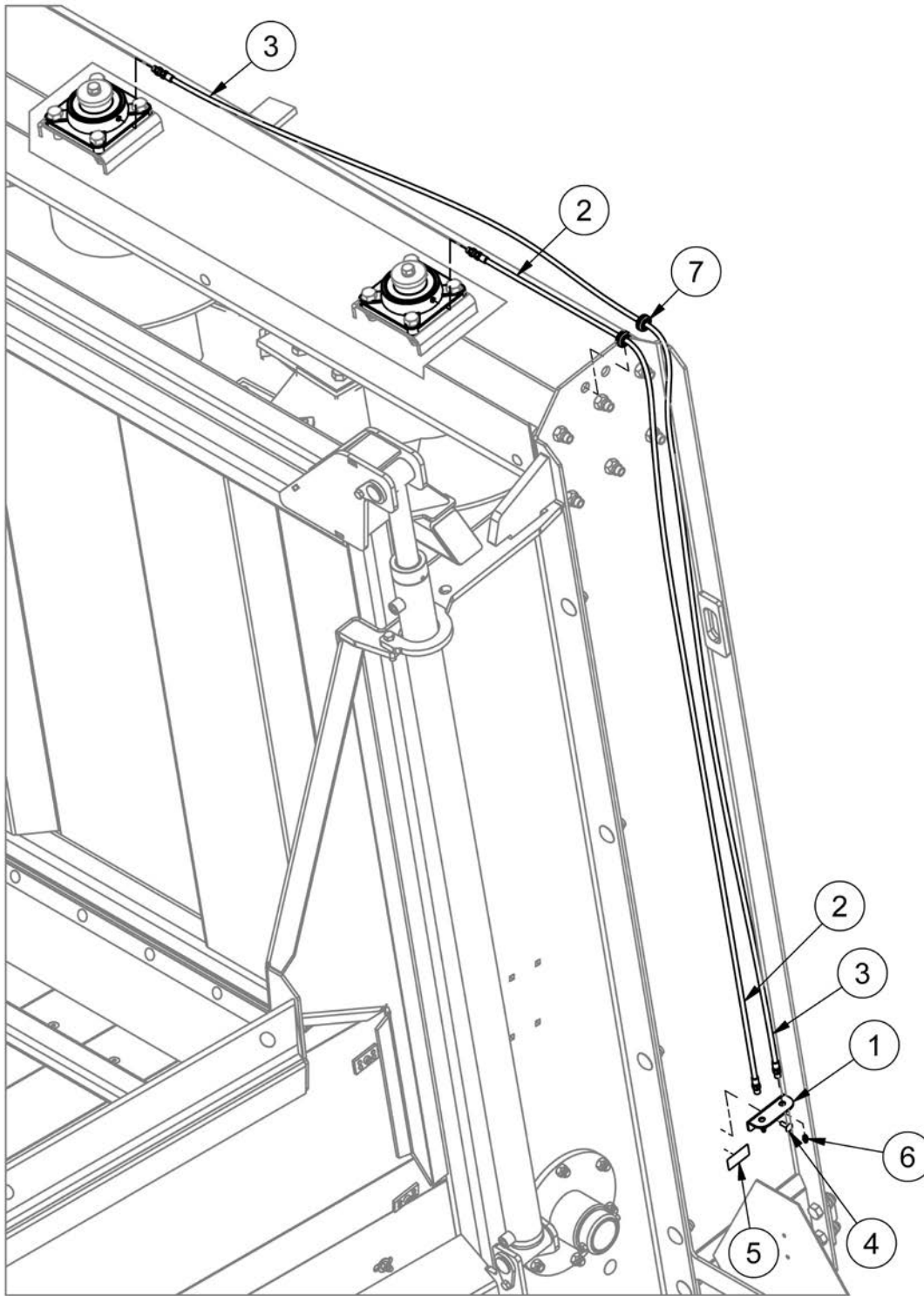
Refer to [Pg.3-23](#) for flange paddle kit parts.



49270 - Beater Assembly - SN 22NRS376-3100 & 23NRS371 - Current

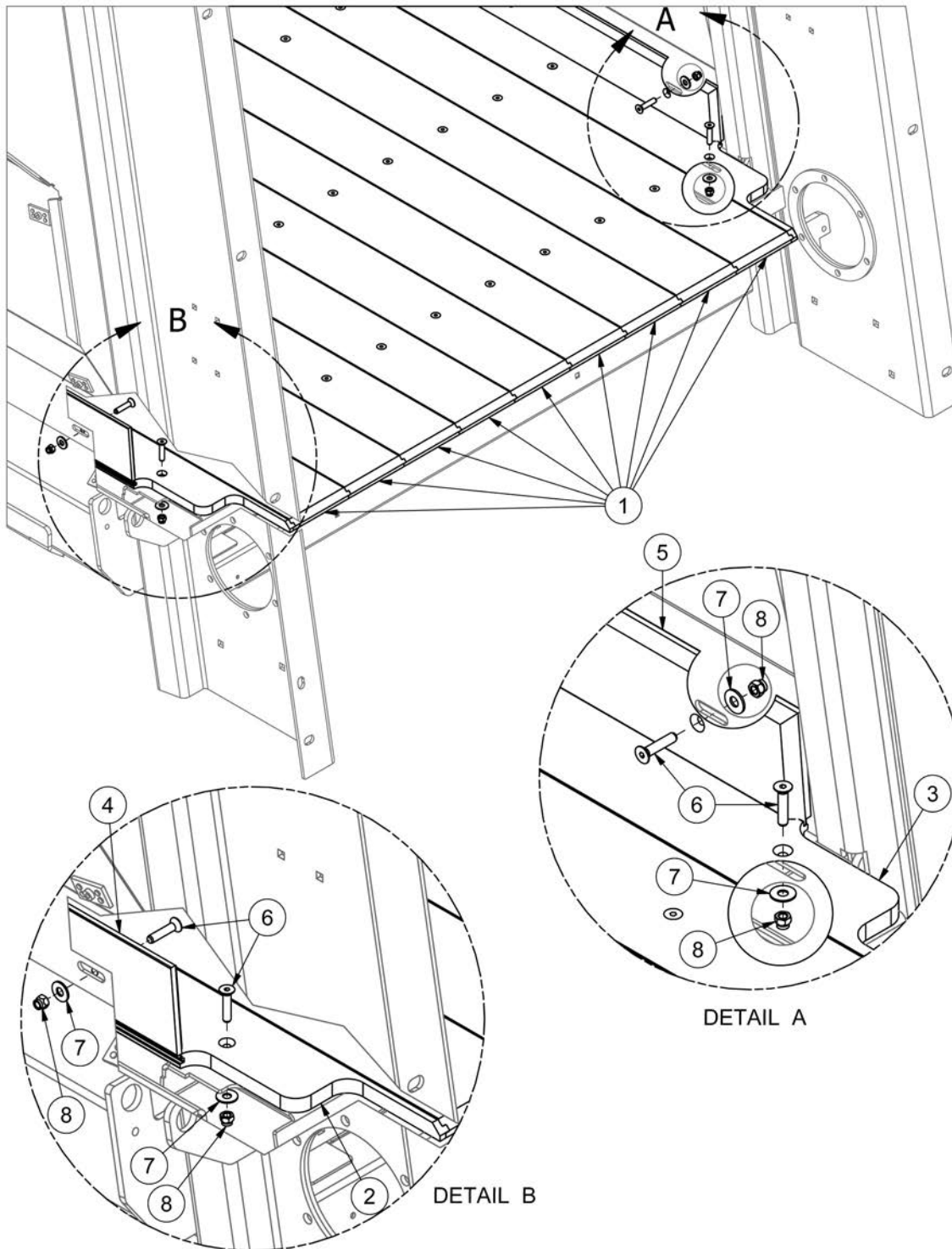
ITEM	QTY	PART NUMBER	DESCRIPTION	NOTE
1	1	450-131	Beater Deflector	
2	1	450-134	Deflector Mount Insert	
3	1	450-405	Top Beater Cover	
4	1	450-441	Rubber Seal	
5	1	600-790	Rubber Hold Down	
6	2	700-157	Load Bearing Washer	
7	1	42225	Receiver Assembly	
8	1	42226	Top Beater Crosser	
9	1	42227	Spinner Pan Asm	
10	1	49188	Gearbox	See Pg.6-10
11	1	49271	Left Side Beater Frame	
12	1	49273	Right Side Beater Frame	
13	1	49274	Nitro 450/575 RH Beater Assembly	Items 14-23
14	32	400-438	Beater Paddle	Qty/1 Beater
15	1	46924	375 Spinner Disc	
16	1	46927	Paddle Push Plate	
17	1	46932	375 Spline Hub	
18	4	46934	375 Spinner Paddle	Qty/1 Beater
19	32	47476	Paddle Retainer Plate	Qty/1 Beater
20	1	49277	450/575 Right Beater Weldment	
21	88	HB5/8-11X1.75Z5	Hex Bolt 5/8-11x1 3/4 Grade 5 Zinc Plated Hex Cap Screw	Qty/1 Beater
22	4	HB5/8-11X2.25Z5	Hex Bolt 5/8-11x2 1/4 Grade 5 Zinc Plated Hex Cap Screw	Qty/1 Beater
23	28	LN5/8-11NCZ5	LN 5/8-11 Zinc Plated Nylon Insert Lock Nut	Qty/1 Beater
24	64	LN5/8-11TCZ5	LN5/8-11 Gr.C Zinc Top Lock Nut	Qty/1 Beater
25	1	49276	Left 450/575 Beater Assembly	Items 26-30
26	1	46924	375 Spinner Disc	
27	4	46930	375 Left Paddle	
28	1	46932	375 Spline Hub	
29	1	49278	Left 450/575 Beater Weldment	
30	2	BEA UCF209-28R3	Flange Bearing, Triple Seal, Ductile Iron	
31	10	CB3/8-16X1.5CZ5	Carriage Bolt - 3/8-16 x 1 1/2" Grade 5 Zinc	
32	6	CB3/8-16X1CZ5	Carriage Bolt - 3/8-16 x 1" Grade 5 Zinc	
33	12	CB5/8-11X1.75CZ5	Carriage Bolt - 5/8-11 x 1 3/4" Grade 5 Zinc	
34	6	FW 3/8	Flatwasher - 3/8" Zinc Plated USS	
35	2	HB1/2-13X1.25Z5	Hex Bolt 1/2-13x1 1/4 Grade 5 Zinc Plated Hex Cap Screw	
36	16	HB1/2-13X1.75Z5	Hex Bolt 1/2-13x1 3/4 Grade 5 Zinc Plated Hex Cap Screw	
37	4	HB5/8-11X1.5Z5	Hex Bolt 5/8-11x1 1/2 Grade 5 Zinc Plated Hex Cap Screw	
38	52	HB5/8-11X1.75Z5	Hex Bolt 5/8-11x1 3/4 Grade 5 Zinc Plated Hex Cap Screw	
39	8	HB5/8-11X2Z5	Hex Bolt 5/8-11x2 Grade 5 Zinc Plated Hex Cap Screw	
40	16	LN1/2-13NCZ5	LN 1/2-13 Zinc Plated Nylon Insert Lock Nut	
41	16	LN3/8-16NCZ5	LN 3/8-16 Zinc Plated Nylon Insert Lock Nut	
42	44	LN5/8-11NCZ5	LN 5/8-11 Zinc Plated Nylon Insert Lock Nut	
43	2	LW 1/2	LW - 1/2" Zinc Plated Medium Split	
44	2	TL550-100-050	Push Off Pin	

44700 - Beater Greaselines - SN 22NRS376-3100 & 23NRS371 - Current



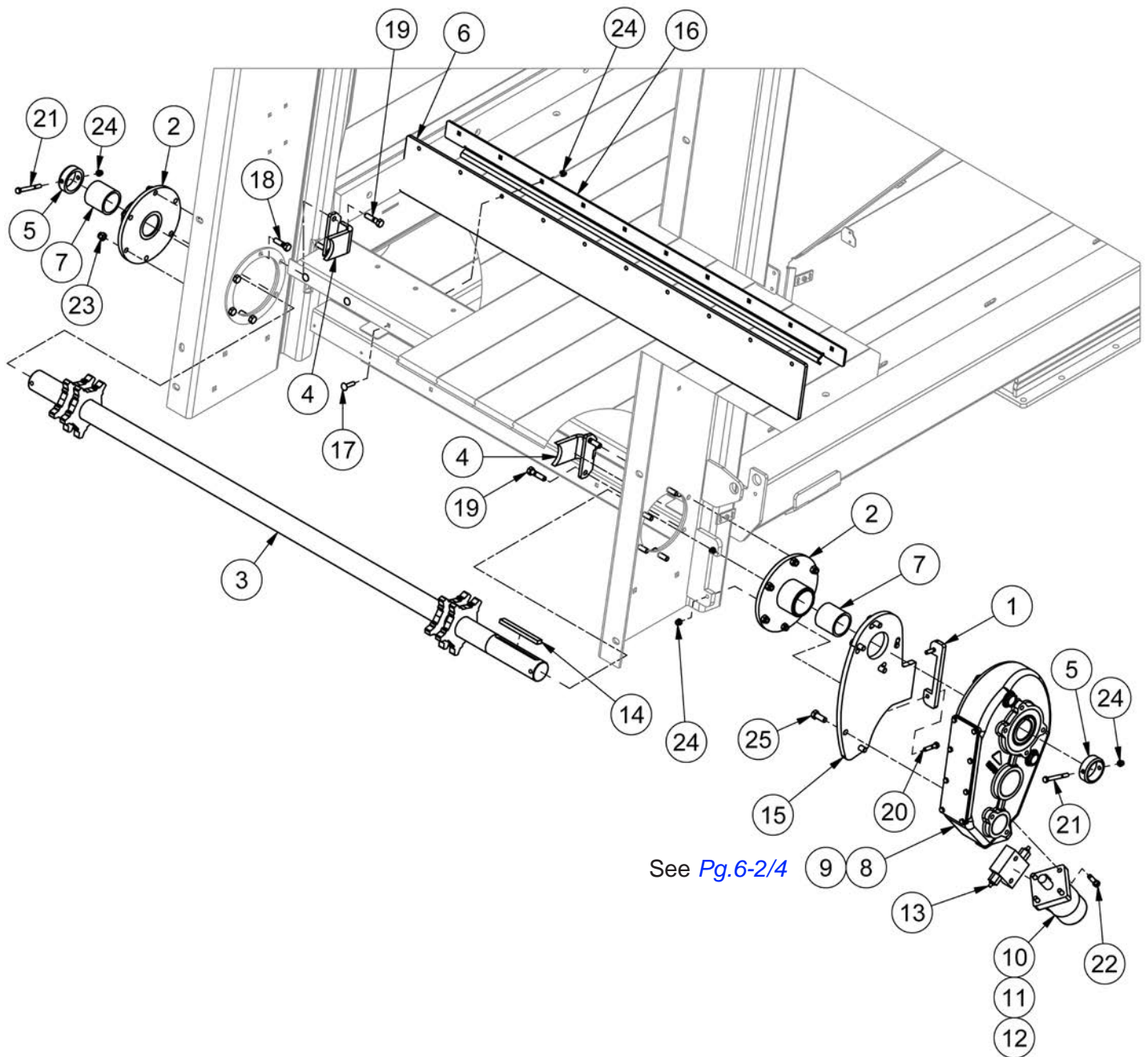
ITEM	QTY	PART NUMBER	DESCRIPTION
1	1	37849	Nitro grease Line Mount
2	1	36623	HH67 - 2R7(2MPX,2GKCY) HCL 67"
3	1	36624	HH99 - 2R7(2MPX,2GKCY) HCL 99"
4	1	CB1/4-20X0.75CZ5	Carriage Bolt - 1/4-20 x 3/4" Grade 5 Zinc
5	1	DE23979	Grease Decal
6	2	GR 1/4 X 28	Grease Fitting 1/4-28 Straight Standard Zerk
7	2	TL5X2-100-143	.625 Grommet

Floor & Side Boards



ITEM	QTY	PART NUMBER	DESCRIPTION
1	9	40265	Floor Board - 204"
2	1	40266	Left End Floor Board - 204"
3	1	40267	Right End Floor Board - 204"
4	1	40268	Left Side Board - 184 9/16"
5	1	40269	Right Side Board - 184 9/16"
6	154	FHSCS3/8-16X1.75	Hex Bolt - 3/8"-16 x 1 3/4" Flat Socket Cap Screw
7	154	FW 3/8	Flatwasher - 3/8" Zinc Plated USS
8	154	LN3/8-16NCZ5	LN 3/8-16 Zinc Plated Nylon Insert Lock Nut

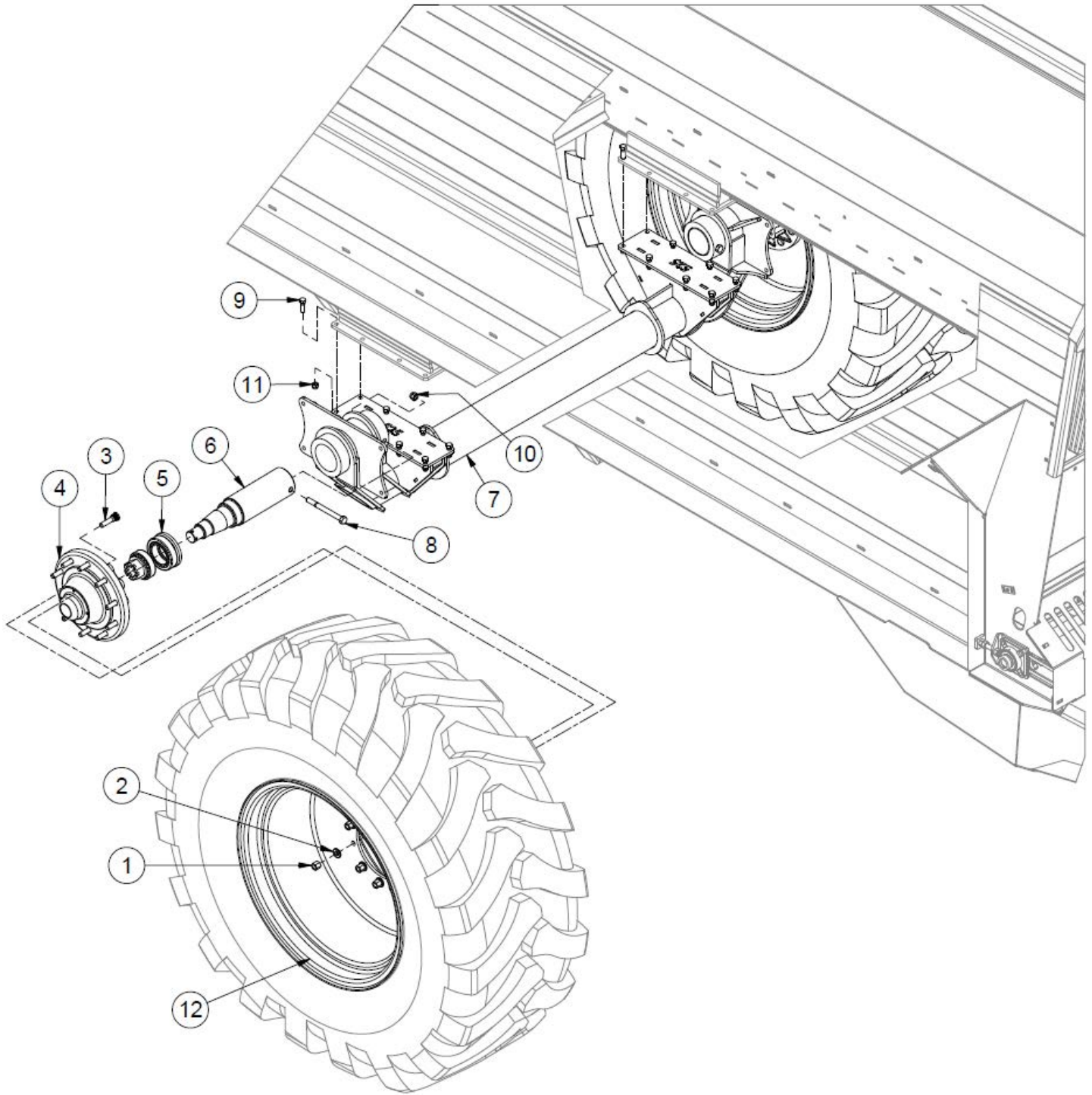
Rear Apron Drive



Rear Apron Drive

ITEM	QTY	PART NUMBER	DESCRIPTION	NOTE
1	1	375-424	Torque Arm Stop	
2	2	450-135	Bearing Housing	
3	1	450-137	Apron Drive Shaft	
4	2	450-138	Apron Shaft Scraper	
5	2	450-371	Apron Shaft Bushing	
6	1	450-441	Rubber Seal	
7	2	700-431	Apron Bushing	
8	1	30842	Apron Drive Gearbox	Up to 23NRS360
9	1	49995	CNM500 Apron Gearbox	23NRS361 - Current
10	1	30854	Hydraulic Motor - Spreaders	Standard
11	1	40718	Hydraulic Motor - Speed Sensor	Req. Scale Option
12	1	SK-SMRS-SK	Gearbox Motor Seal Kit	
13	1	30856	Hydraulic Cross Port Relief for Motor - Spreaders	
14	1	30859	Metric Key	
15	1	39421	Gearbox Torque Arm	
16	1	47567	Wiper Guide 62.5	
17	10	CB3/8-16X1.5CZ5	Carriage Bolt - 3/8-16 x 1 1/2" Grade 5 Zinc	
18	8	HB1/2-13X1.75Z5	Hex Bolt 1/2-13x1 3/4 Grade 5 Zinc Plated Hex Cap Screw	
19	4	HB1/2-13X2Z5	Hex Bolt 1/2-13x2 Grade 5 Zinc Plated Hex Cap Screw	
20	2	HB3/8-16X1.75Z5	Hex Bolt 3/8-16x1 3/4 Grade 5 Zinc Plated Hex Cap Screw	
21	2	HB3/8-16X3.5Z5	Hex Bolt 3/8-16x3 1/2 Grade 5 Zinc Plated Hex Cap Screw	
22	4	HB7/16-14X1.75Z5	Hex Bolt 7/16-14x1 3/4 Grade 5 Zinc Plated Hex Cap Screw	
23	10	LN1/2-13NCZ5	LN 1/2-13 Zinc Plated Nylon Insert Lock Nut	
24	14	LN3/8-16NCZ5	LN 3/8-16 Zinc Plated Nylon Insert Lock Nut	
25	5	M14X35X2	Metric Bolt	

Single Axle



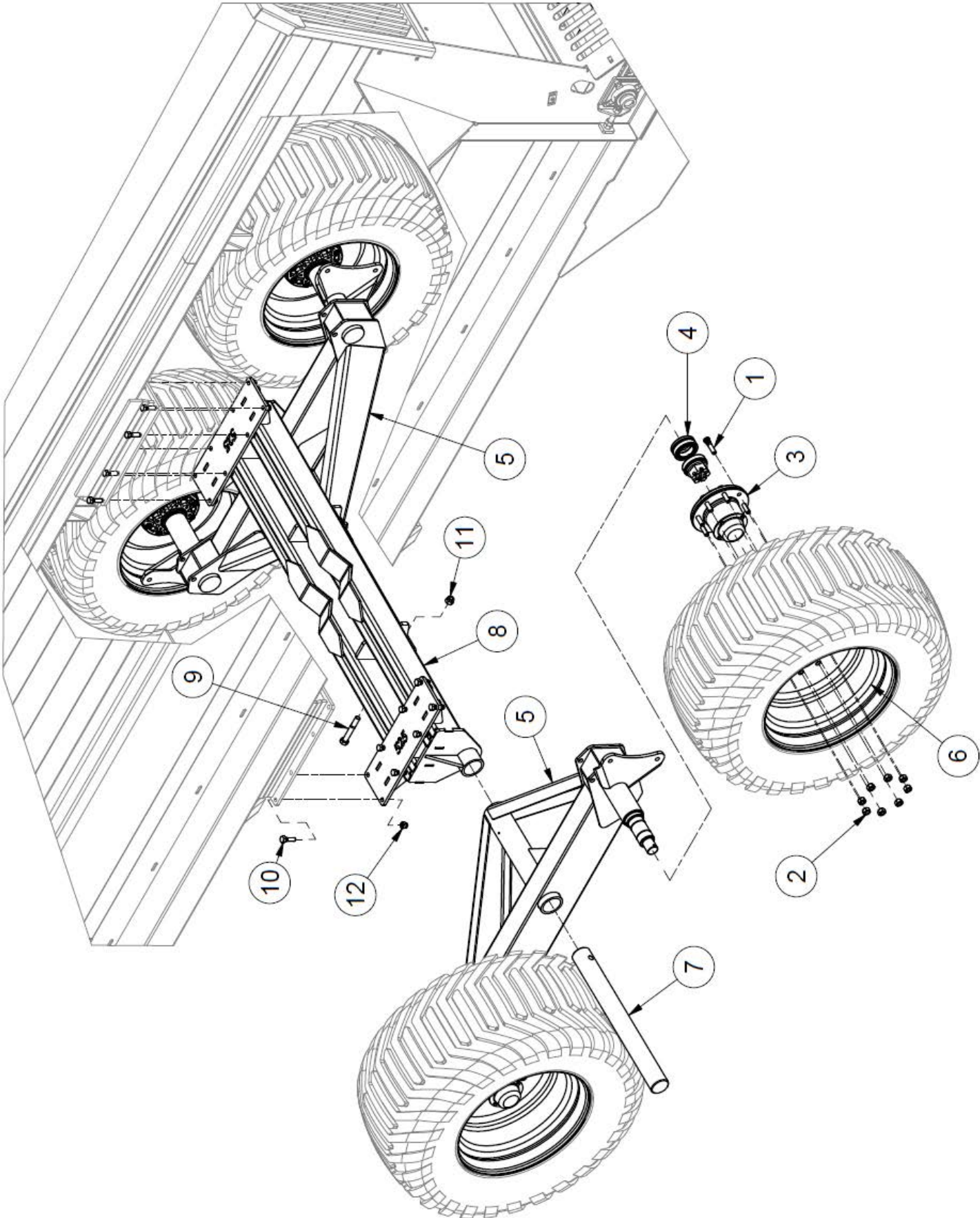
Single Axle

ITEM	QTY	PART NUMBER	DESCRIPTION
1	20	31539	3/4"-16 Wheel Nut
2	20	39600	W750 Washer
3	10	31529	3/4" Wheel Stud
4	2	HUB 20000	Spreader HUB20000
5	2	HUB 20000-CCS	Complete Bearing and Seals for HUB20000
6	2	SP 5.0 X 22	20000lb Hub Spindle
7	1	42841	525 Single Axle
8	2	HB 3/4-10X8 Z5	Hex Bolt 3/4-10x8 Grade 5 Zinc Plated Hex Cap Screw
9	16	HB 5/8-11X2 Z5	Hex Bolt 5/8-11x2 Grade 5 Zinc Plated Hex Cap Screw
10	2	LN 3/4 N	LN 3/4-10 Zinc Plated Nylon Insert Lock Nut
11	16	LN 5/8 N	LN 5/8-11 Zinc Plated Nylon Insert Lock Nut
12	2	600-723	N600 Rim WHE2338

Nitro 575RS Tire Chart		
Axle Type	Part Number	Tire Size
Single	WHE 710X70X38	710/70-38
Tandem	WHE 425X65X22.5L	425/22.5 Recap (Truck)
Tandem	WHE 550X45X22.5	550/45-22.5
Tandem	WHE 700X50X26.5	700/50-26.5

NOTE: Refer to Nitro Operator's Manual for wheel load capacity charts.

Tandem Axle



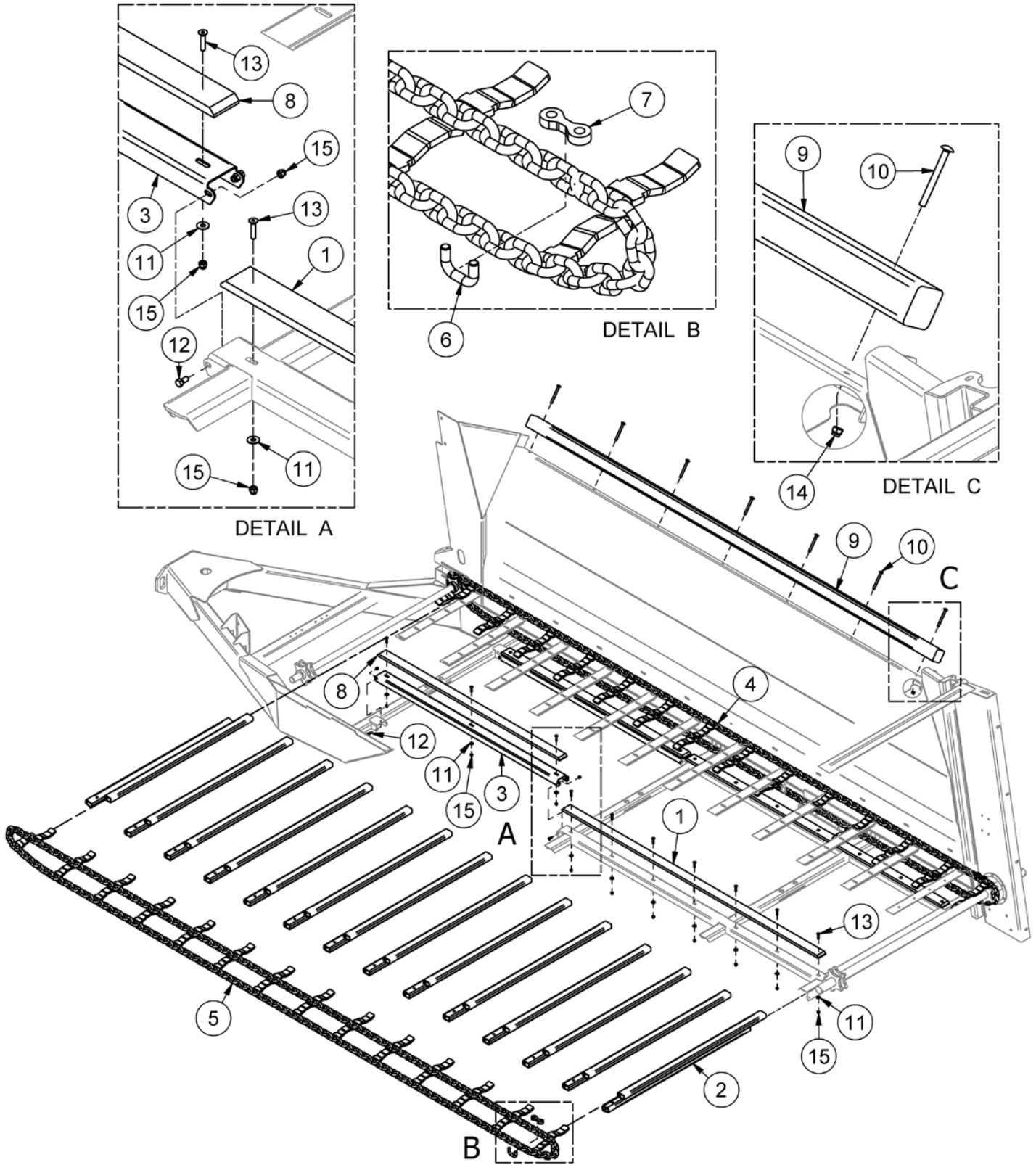
Tandem Axle

ITEM	QTY	PART NUMBER	DESCRIPTION
1	32	F58-225	Wheel Stud for 12000# Hub
2	32	F58-CONE NUT	Wheel Nut for 12000# Hub
3	4	HUB 12000	Spreader Hub Model 450-600 HUB12000
4	4	HUB 12000-CCS	Complete Bearing and Seals for HUB12000
5	2	27583-1	Walking Beam 505 (Nitro 525), Includes Brake Flanges
6	4	400-429	Tandem Rim WHE 1622.5
7	2	40293	Walking Beam Pin
8	1	42843	525 Walking Beam Axle
9	2	HB 3/4-10X5 Z5	Hex Bolt 3/4-10x5 Grade 5 Zinc Plated Hex Cap Screw
10	16	HB 5/8-11X2 Z5	Hex Bolt 5/8-11x2 Grade 5 Zinc Plated Hex Cap Screw
11	2	LN 3/4 N	LN 3/4-10 Zinc Plated Nylon Insert Lock Nut
12	16	LN 5/8 N	LN 5/8-11 Zinc Plated Nylon Insert Lock Nut

Nitro 575RS Tire Chart		
Axle Type	Part Number	Tire Size
Single	WHE 710X70X38	710/70-38
Tandem	WHE 425X65X22.5L	425/22.5 Recap (Truck)
Tandem	WHE 550X45X22.5	550/45-22.5
Tandem	WHE 700X50X26.5	700/50-26.5

NOTE: Refer to Nitro Operator's Manual for wheel load capacity charts.

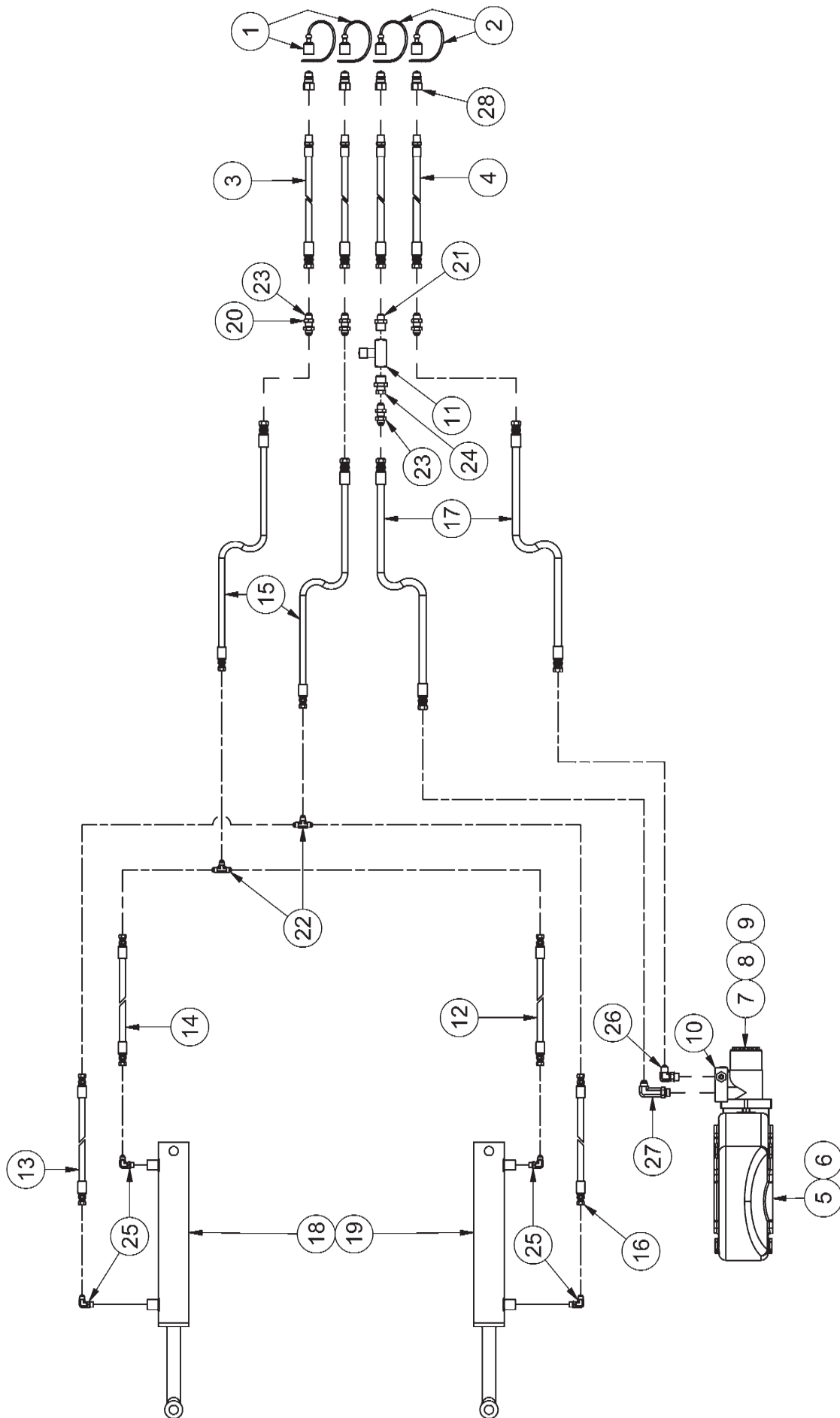
Apron Runners



Apron Runners

ITEM	QTY	PART NUMBER	DESCRIPTION	NOTE
1	2	450-442	Rear Apron Runner - .75 X 31.0 - V450/N525RS	
2	28	37820	Nitro Chain Slats	
3	2	39434	Chain Return Slide	
4	1	40295	Right Apron Chain with Lugs	Incl. Items 6,7
5	1	40296	Left Apron Chain with Lugs	Incl. Items 6,7
6	2	400-889	Connector Link Rod	
7	2	400-890	Chain Connector Link Tab	
8	2	40444	Front Apron Runner	
9	2	42812	4x4 Pressure Treated Bumper	Obtain Locally
10	14	CB 1/2-13 X5 Z5	Carriage Bolt - 1/2-13 x 5" Grade 5 Zinc	
11	20	FW 3/8	Flatwasher - 3/8" Zinc Plated USS	
12	8	HB 3/8-16X0.75 Z5	Hex Bolt 3/8-16x3/4 Grade 5 Zinc Plated Hex Cap Screw	
13	20	HB 3/8-16X1.75 FHSCS	Hex Bolt - 3/8"-16 x 1 3/4" Flat Socket Cap Screw	
14	14	LN 1/2 N	LN 1/2-13 Zinc Plated Nylon Insert Lock Nut	
15	28	LN 3/8 N	LN 3/8-16 Zinc Plated Nylon Insert Lock Nut	

Hydraulic Layout



Hydraulic Layout

ITEM	QTY	PART NUMBER	DESCRIPTION	NOTE
1	2	22946-2	Dust Cap, 1/2", Female, Yellow Colour	
2	2	22946-4	Dust Cap, 1/2", Female, Red Colour	
3	2	30654	Hose - HH73- 6AT1(8FJXH-8MP HCL 73"	
4	2	30661	Hose - HH69- 8AT1(8FJXH-8MP) HCL69"	
5	1	30843	Gear Box- Berma- V750 Spreaders (RT650)	Up to 23NRS360
6	1	49995	CNM500 Apron Gearbox	23NRS361 - Current
7	1	30854	Hydraulic Motor - Spreaders	Standard
8	1	40718	Hydraulic Motor - Speed Sensor	Req. Scale Option
9	1	SK-SMRS-SK	Gearbox Motor Seal Kit	
10	1	30856	Hydraulic Cross Port Relief for Motor - Spreaders	
11	1	30857	Flow Control Valve - 3/4"	
12	1	31642	Hose - HH76- 6AT1(6FJX-6FJX) HCL 76"	
13	1	31643	Hose - HH81- 6AT1(6FJX-6FJX) HCL 81"	
14	1	31644	Hose - HH22- 6AT1(6FJX-6FJX) HCL 22"	
15	2	31648	Hose - HH295- 6AT1(8FJX-6FJX) HCL 295"	
16	1	31718	Hose - HH140- 6AT1(6FJX-6FJX) HCL 140"	
17	2	39846	Hose - HH296- 8AT1(8FJX-8FJX) HCL296"	
18	2	CYL31731	Cylinder 2.0 X 56.75 X 1.5 Nitro 450	
19	2	SKFH20-15	Seal Kit - 2" Cylinder Bore w/ 1.5" Rod	
20	4	HF 306-8	Hyd Fitting 1/2 Adjustable Locknut	
21	1	HF 2404-8-12	Hydraulic Fitting - Union	
22	2	HF 2603-6-6-6	Male JIC Tee	
23	4	HF 2700LN-08-08	Hydraulic Fitting - MJIC to MJIC	
24	1	HF 6505-12-8	Male Pipe To Female JIC Swivel	
25	4	HF 6801-6-6	Hydraulic Fitting - 90 Degree JIC to O-Ring	
26	1	HF 6801-8-10	Hydraulic Fitting - 1/2" JIC - 5/8" 90° Elbow	
27	1	HF 6801-8-10-LL	Hyd. Fitting - 1/2" JIC - 5/8" 90 Degree Elbow	
28	4	HF 8010-4	Quickcoupler 1/2" Male Tip	

Intentionally Left Blank

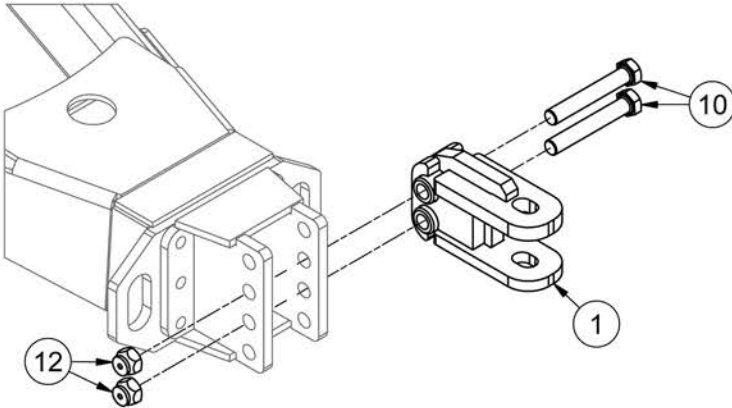
Section 3 - Optional Features

Optional Kit Numbers

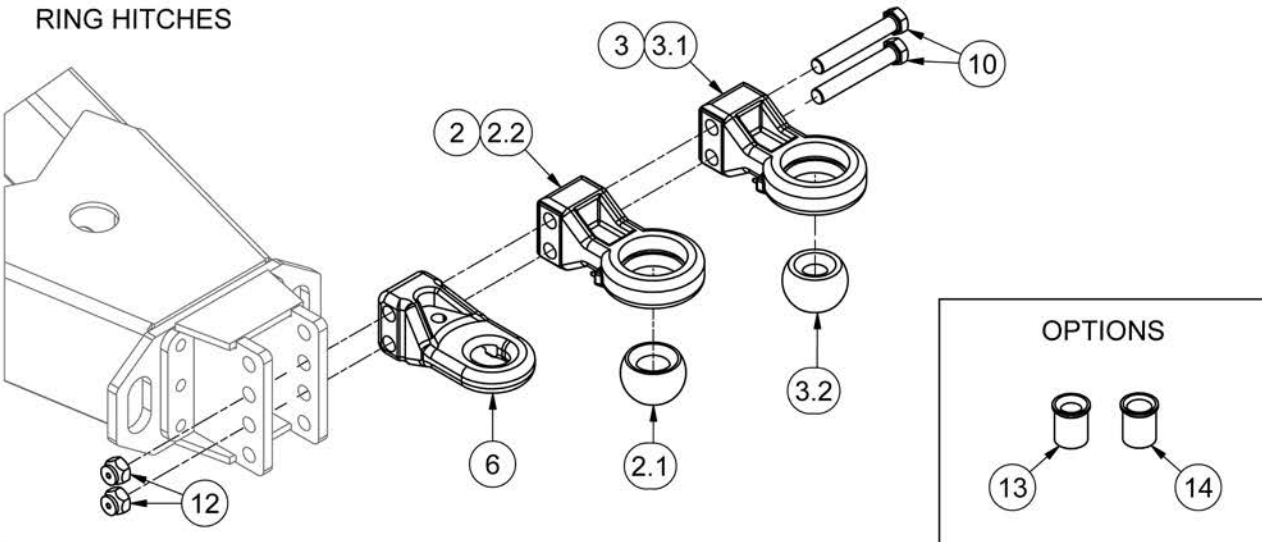
KIT NUMBER	DESCRIPTION	PAGE(S)	NOTE
	Hitches	Pg.3-2,3	
43673	Mechanical Light Kit	Pg.3-4,5	
	Wiring Harness	Pg.3-6,7	
45890	Single Axle - Scale Ready	Pg.3-8,9	
44979	Tandem Axle - Scale Ready	Pg.3-10,11	
N750LC	5 Point Scale System	Pg.3-12	
N750LCNT460	5 Point Scale System with GPS	Pg.3-12	
N750LCNT8000	Automatic Scale Rate Control Base System	Pg.3-13	
	Flow Control Mounting	Pg.3-14	
31578	Manual Flow Control		
	Flow Control Hydraulic Layout - Manual	Pg.3-15	
31797	Electric Flow Control		
	Flow Control Hydraulic Layout - Electric	Pg.3-16,17	
	Electric Flow Control Wiring	Pg.3-18,19	
N575SB	Single Axle Brake Kit	Pg.3-20	
N575TB	Tandem Axle Brake Kit	Pg.3-21	
41504	575RS Flange Paddle Kit	Pg.3-22,23	
45862	Endgate Indicator Kit	Pg.3-24,25	
47927	Silage Sides	Pg.3-26,27	

Hitch Options

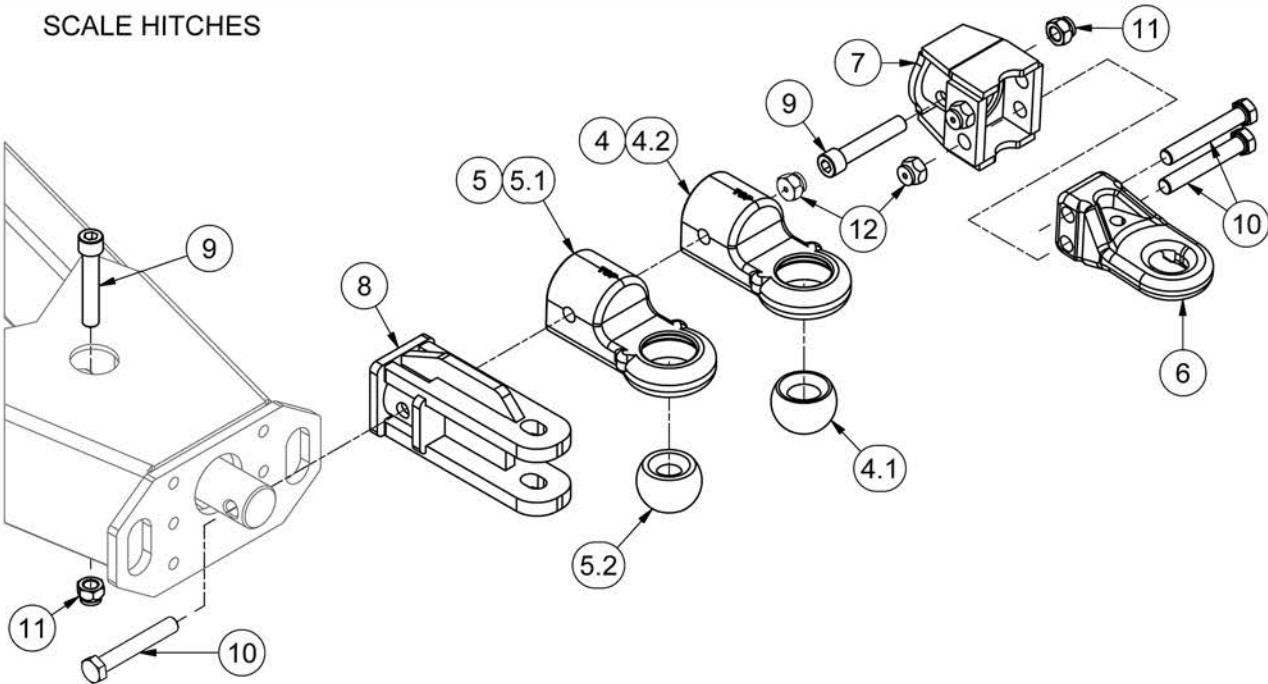
CLEVIS HITCH



RING HITCHES



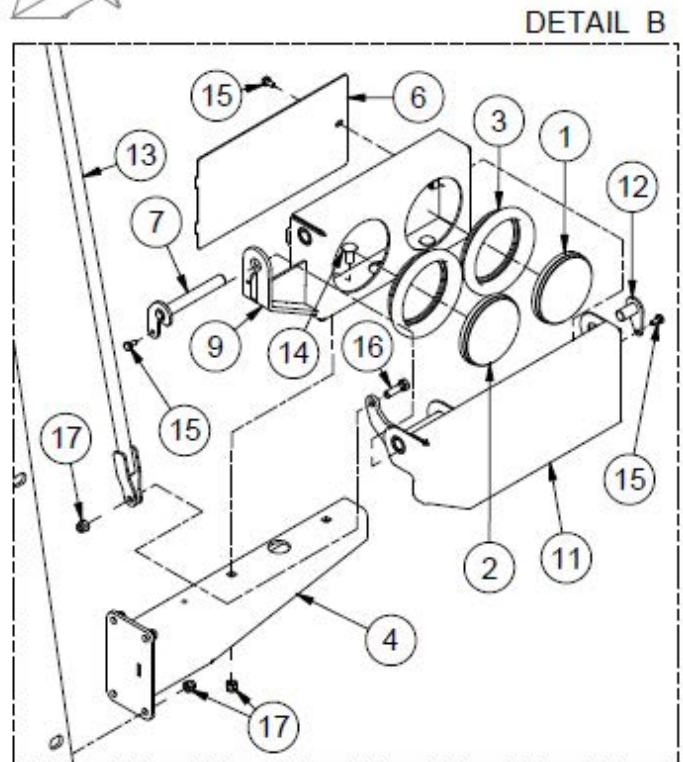
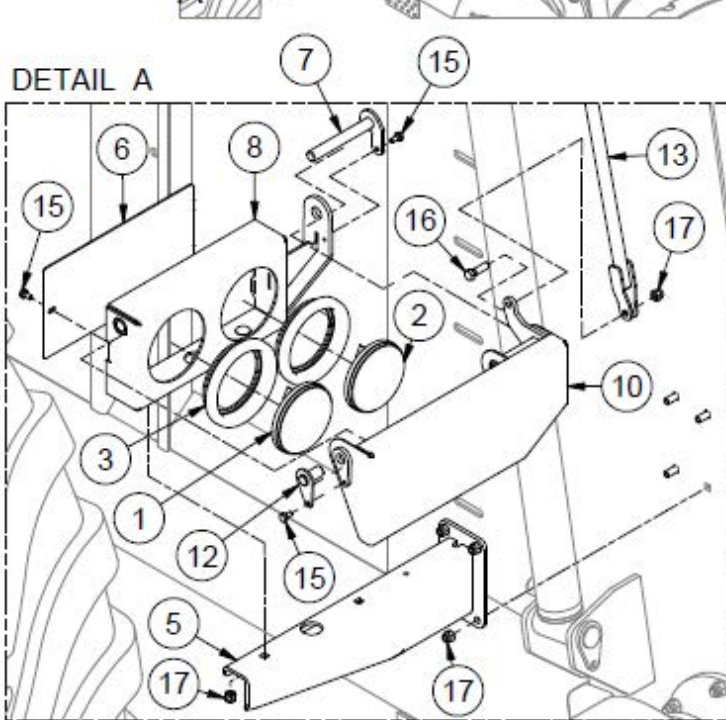
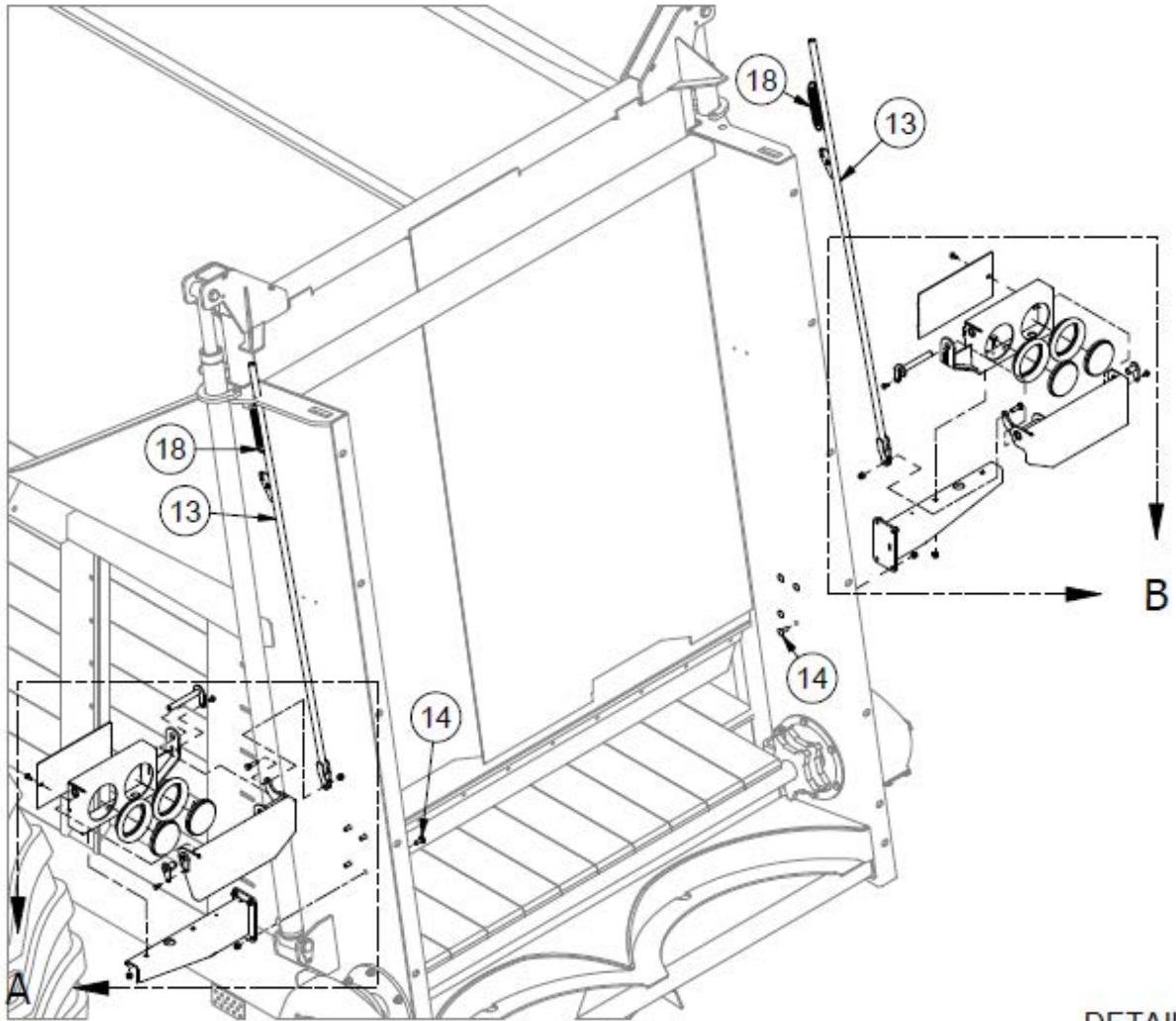
SCALE HITCHES



Hitch Options

ITEM	QTY	PART NUMBER	DESCRIPTION	WHERE USED	NOTE
1	1	40471	Clevis Hitch Weldment	Up to N575RS	Standard - Replaces 30826
2		39290	Power Pin Cat 3 Ball Hitch Assembly 2" Pin	All Models	Option
2.1	1	39291	Power Pin 2" Ball Cat.3 Hitch		
2.2	1	44994	Power Pin Cat.3 Ball Hitch Base		
3		40865	Power Pin Cat 3 Ball Hitch Assembly 1.5" Pin	All Models	Option
3.1	1	44994	Power Pin Cat.3 Ball Hitch Base		
3.2	1	39994	Power Pin 1.5" Ball Cat.3 Hitch		
4		41956	Rollover Ball Hitch 2.0" ID Cat.4	All Models	Requires Scale Option
4.1	1	39291	Power Pin 2" Ball Hitch		Category 3 & 4
4.2	1	45033	Articulating Ball Hitch Base		
5		45034	Rollover Ball Hitch 1.5" ID Cat.4	All Models	Requires Scale Option
5.1	1	45033	Articulating Ball Hitch Base		
5.2	1	39994	Power Pin 1.5" Ball Cat.3 Hitch		
6		32853	Cat.4 Hitch Base	N600 - N1050	Standard - Replaces 43060
7	1	36241	Cell Hitch		Requires Scale Option
8	1	42550	Cell Clevis Hitch	275RS - 575RS	Requires Scale Option
9		SHCS1-8X5.5	Hex Bolt - 1-8 x 5 1/2 Socket Head Cap Screw		
10		HB1-14X6.5YZ8	Hex Bolt 1-14x6 1/2 Grade 8 Zinc Hex Cap Screw		
11		LN1-8NCZ5	LN 1-8 Zinc Plated Nylon Insert Lock Nut		
12		LN1-14NFZ5	Center Locknuts (1-14) 2-Way Fine Thread		
13	1	45826	Hitch Insert Bushing (2.0"-1.25")	Optional	Requires hitch with 2" Ball
14	1	45827	Hitch Insert Bushing (2.0"-1.5")	Optional	Requires hitch with 2" Ball

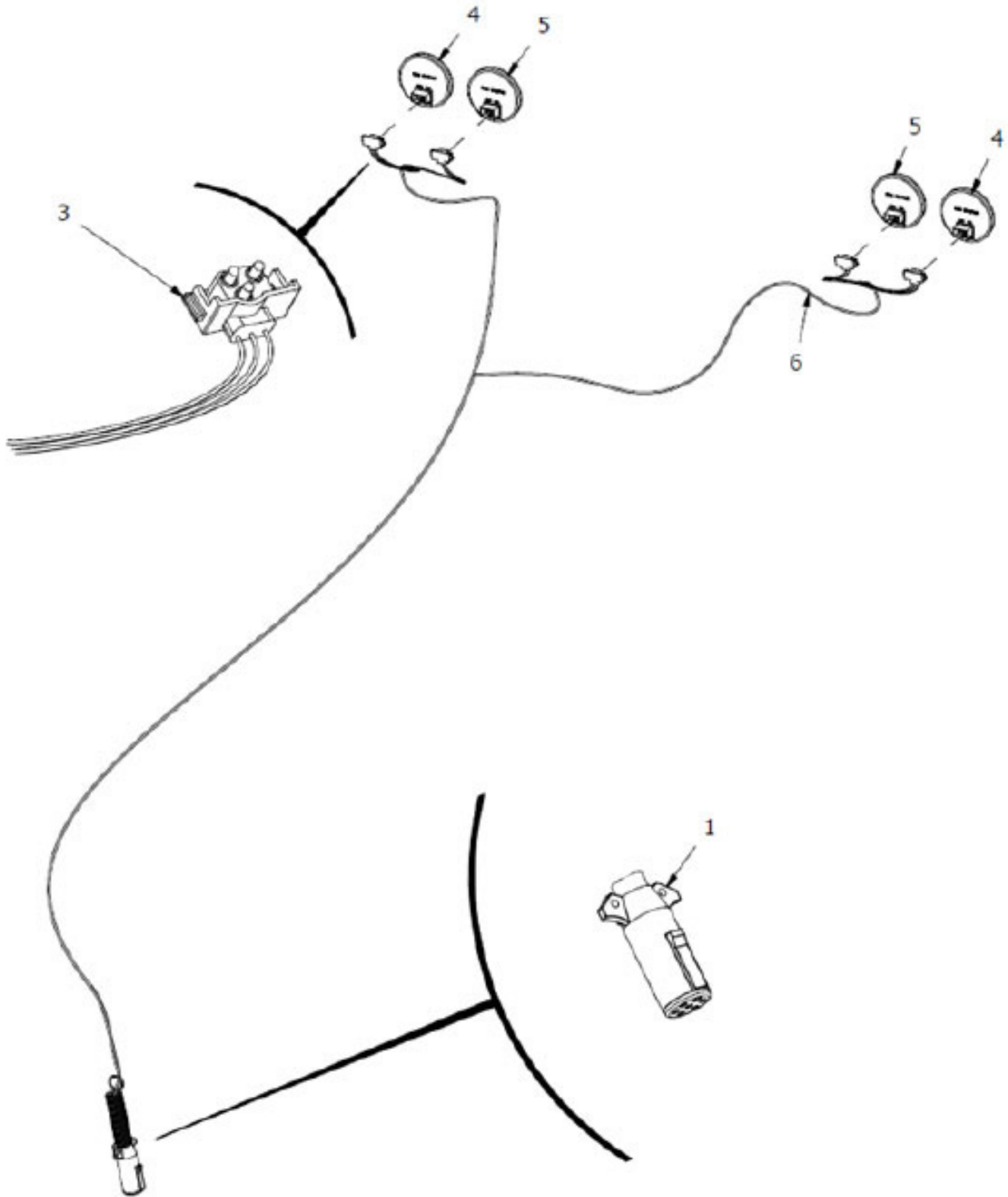
Mechanical Light Kit - 43673



Mechanical Light Kit - 43673

ITEM	QTY	PART NUMBER	DESCRIPTION
1	2	31788	Red LED Light for Nitro Spreader
2	2	31789	Amber LED Light for Nitro Spreader
3	4	31798	Grommet for LED Lights on Nitro
4	1	42139	Right Light Bracket
5	1	42140	Left Light Bracket
6	2	43178	Light Box Cover
7	2	43204	Inner Pin Assembly
8	1	43206	Left Light Box Assembly
9	1	43207	Right Light Box Assembly
10	1	43208	Left Light Cover
11	1	43209	Right Light Cover
12	2	43213	Outer Pin Assembly
13	2	43580	450/525RS Manual Light Push Arm
14	12	CB 3/8-16 X1 Z5	Carriage Bolt - 3/8-16 x 1" Grade 5 Zinc
15	6	HB 1/4-20X0.5 Z5	Hex Bolt 1/4-20x1/2 Grade 5 Zinc Plated Hex Cap Screw
16	2	HB 3/8-16X1.25 Z5	Hex Bolt 3/8-16x1 1/4 Grade 5 Zinc Plated Hex Cap Screw
17	14	LN 3/8 N	LN 3/8-16 Zinc Plated Nylon Insert Lock Nut
18	2	PP00679	Spring 2-TE 86B (AC-08044)

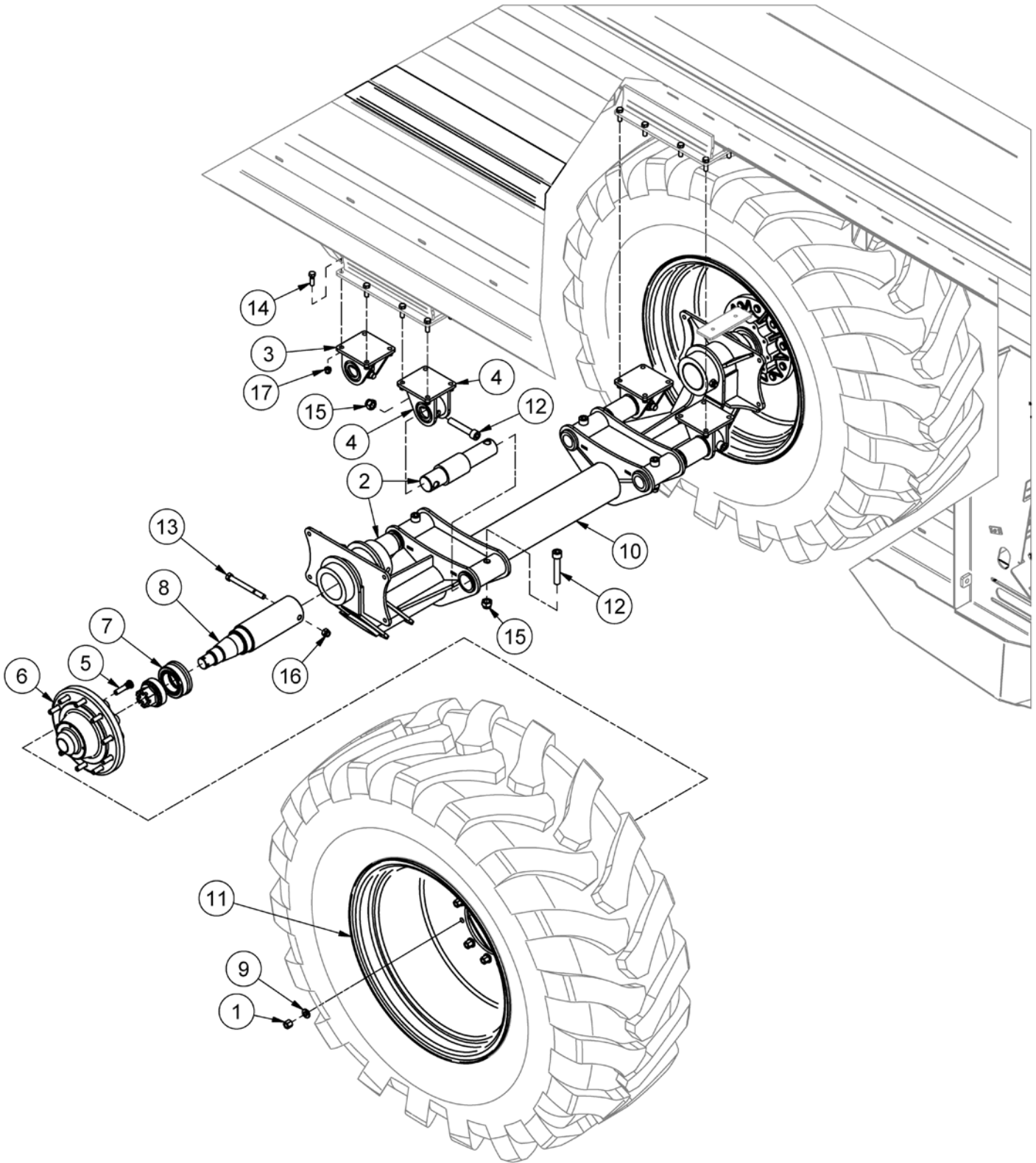
Light Kit Wiring Harness



Light Kit Wiring Harness

Item	Qty	Part Number	Description
1	1	TL550-200-117	Female 7 Pin Plug
	4	31798	Grommet
3	4	31790	Individual Light Harness
4	2	31788	Red Tail Light
5	2	31789	Amber Tail Light
6	1	36924	Nitro N375, N450 Light Wiring Harness
	1	31573	Complete Light Wiring Harness

Single Axle - Scale Ready



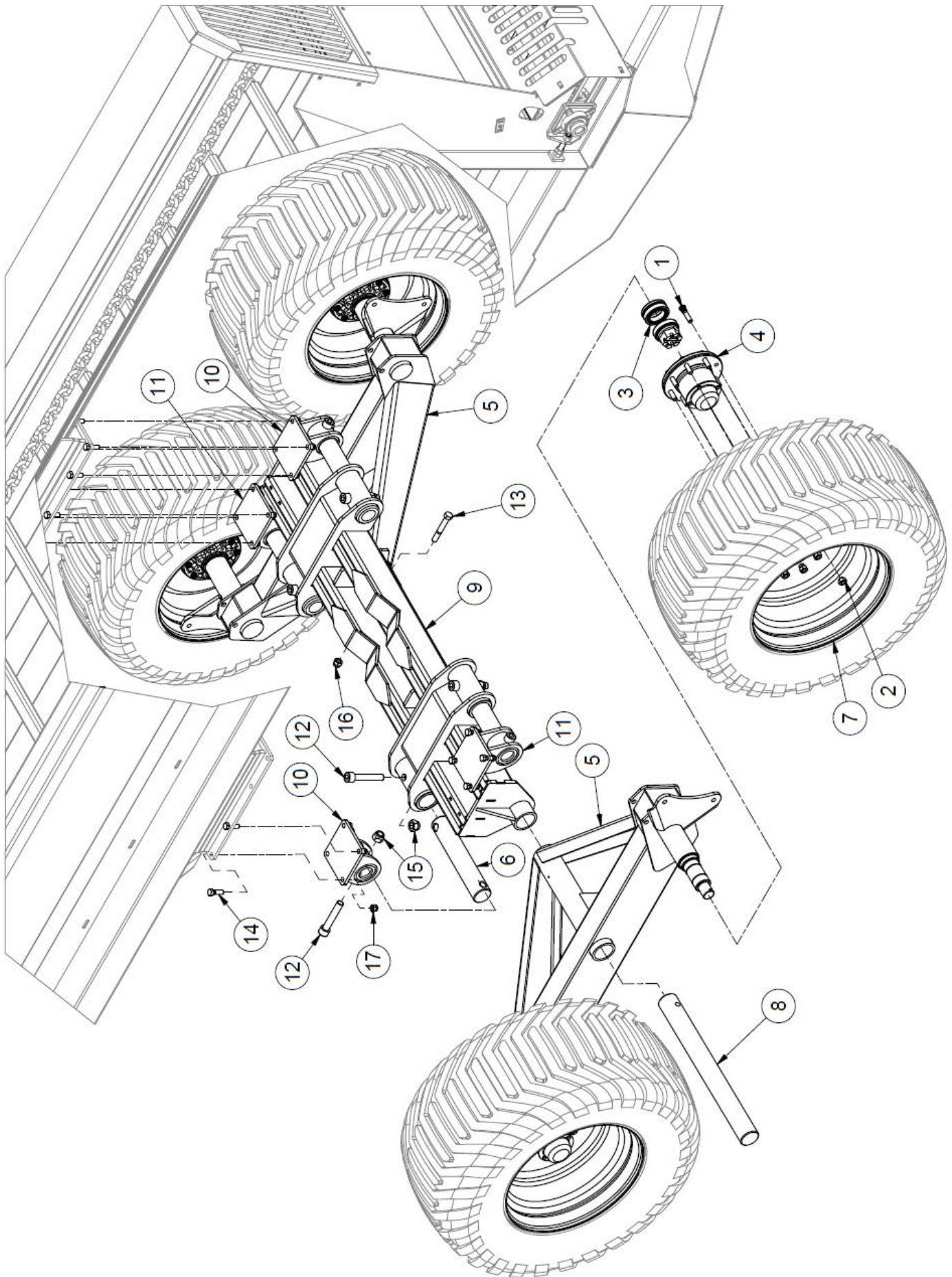
Single Axle - Scale Ready

ITEM	QTY	PART NUMBER	DESCRIPTION	NOTE
1	20	31539	3/4"-16 Weel Nut	
2	4	35493	Load Cell 2.875" DB21	Refer to Pg.3-12,13
3	2	35812	Left Frame Mount	
4	2	36836	Right Front Mount	
5	20	31529	3/4" Wheel Stud	
6	2	HUB 20000	Spreader HUB20000	
7	2	HUB 20000-CCS	Complete Bearing and Seals for HUB20000	
8	2	SP 5.0 X 22	20000lb Hub Spindle	
9	20	39600	W750 Washer	
10	1	45885	525 Single Axle Weldment - Scale Ready	
11	2	600-723	N600 Rim WHE2338	
12	8	HB 1-8X5.5 SHCS	Hex Bolt - 1-8 x 5 1/2 Socket Head Cap Screw	
13	2	HB 3/4-10X8 Z5	Hex Bolt 3/4-10x8 Grade 5 Zinc Plated Hex Cap Screw	
14	16	HB 5/8-11X2 Z5	Hex Bolt 5/8-11x2 Grade 5 Zinc Plated Hex Cap Screw	
15	8	LN 1 N	LN 1-8 Zinc Plated Nylon Insert Lock Nut	
16	2	LN 3/4 N	LN 3/4-10 Zinc Plated Nylon Insert Lock Nut	
17	16	LN 5/8 N	LN 5/8-11 Zinc Plated Nylon Insert Lock Nut	

Nitro 575RS Tire Chart		
Axle Type	Part Number	Tire Size
Single	WHE 710X70X38	710/70-38
Tandem	WHE 425X65X22.5L	425/22.5 Recap (Truck)
Tandem	WHE 550X45X22.5	550/45-22.5
Tandem	WHE 700X50X26.5	700/50-26.5

NOTE: Refer to Nitro Operator's Manual for wheel load capacity charts.

Tandem Axle - Scale Ready



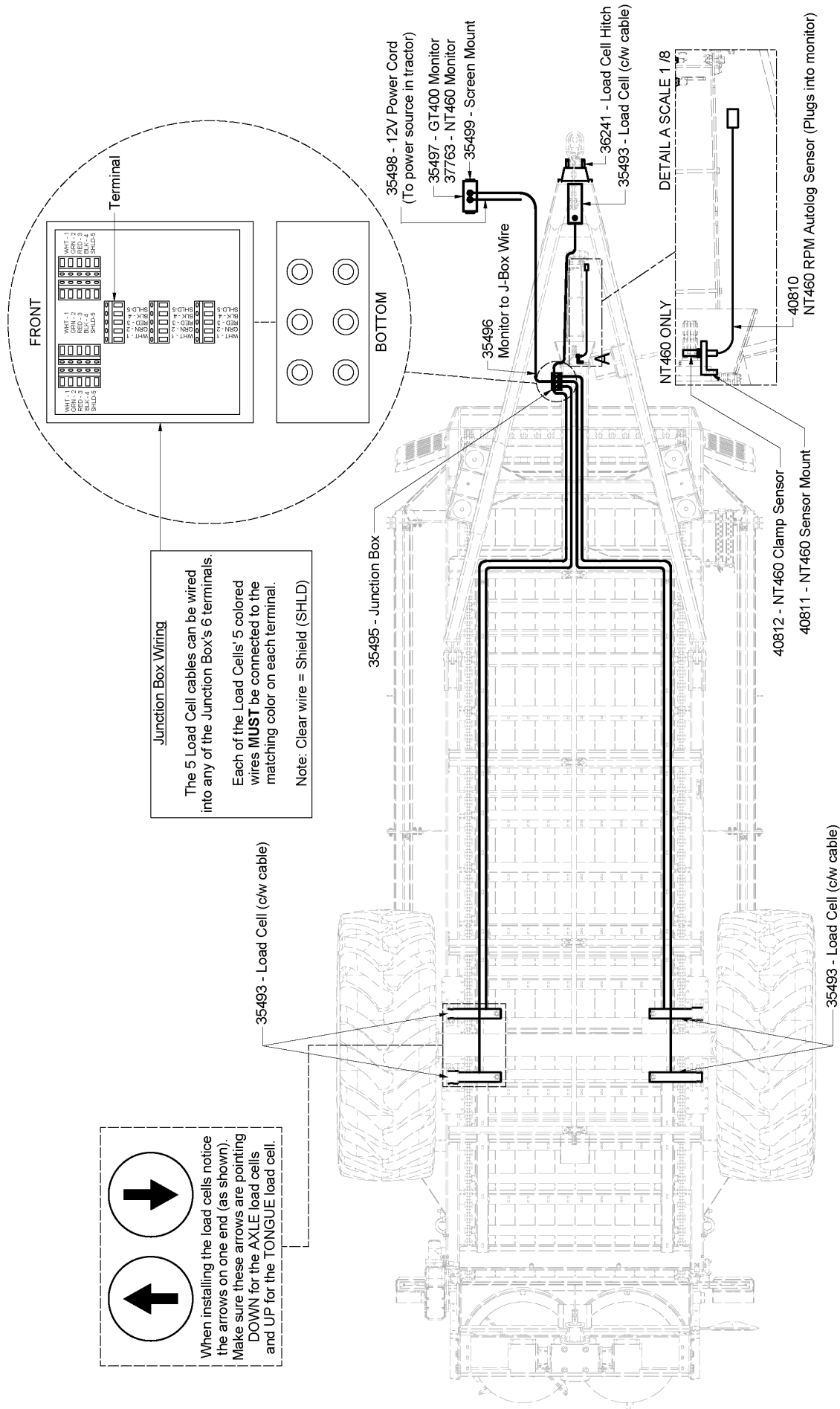
Tandem Axle - Scale Ready

ITEM	QTY	PART NUMBER	DESCRIPTION	NOTE
1	32	F58-225	Wheel Stud for 12000# Hub	
2	32	F58-CONE NUT	Wheel Nut for 12000# Hub	
3	4	HUB12000-CCS	Complete Bearing and Seals for HUB12000	
4	4	HUB 12000	Spreader Hub Model 450-600 HUB12000	
5	2	27583-1	Walking Beam 505 (Nitro 525), Includes Brake Flanges	
6	4	35943	Load Cell 2.875" DB21	Refer to Pg.3-12,13
7	4	400-429	Tandem Rim WHE 1622.5	
8	2	40293	Walking Beam Pin	
9	1	43995	525 Scale Ready Tandem Axle	
10	2	43997	Left Frame Mount	
11	2	43999	Right Frame Mount	
12	8	HB 1-8X5.5 SHCS	Hex Bolt - 1-8 x 5 1/2 Socket Head Cap Screw	
13	2	HB 3/4-10X5 Z5	Hex Bolt 3/4-10x5 Grade 5 Zinc Plated Hex Cap Screw	
14	16	HB 5/8-11X2 Z5	Hex Bolt 5/8-11x2 Grade 5 Zinc Plated Hex Cap Screw	
15	8	LN 1 N	LN 1-8 Zinc Plated Nylon Insert Lock Nut	
16	2	LN 3/4 N	LN 3/4-10 Zinc Plated Nylon Insert Lock Nut	
17	16	LN 5/8 N	LN 5/8-11 Zinc Plated Nylon Insert Lock Nut	

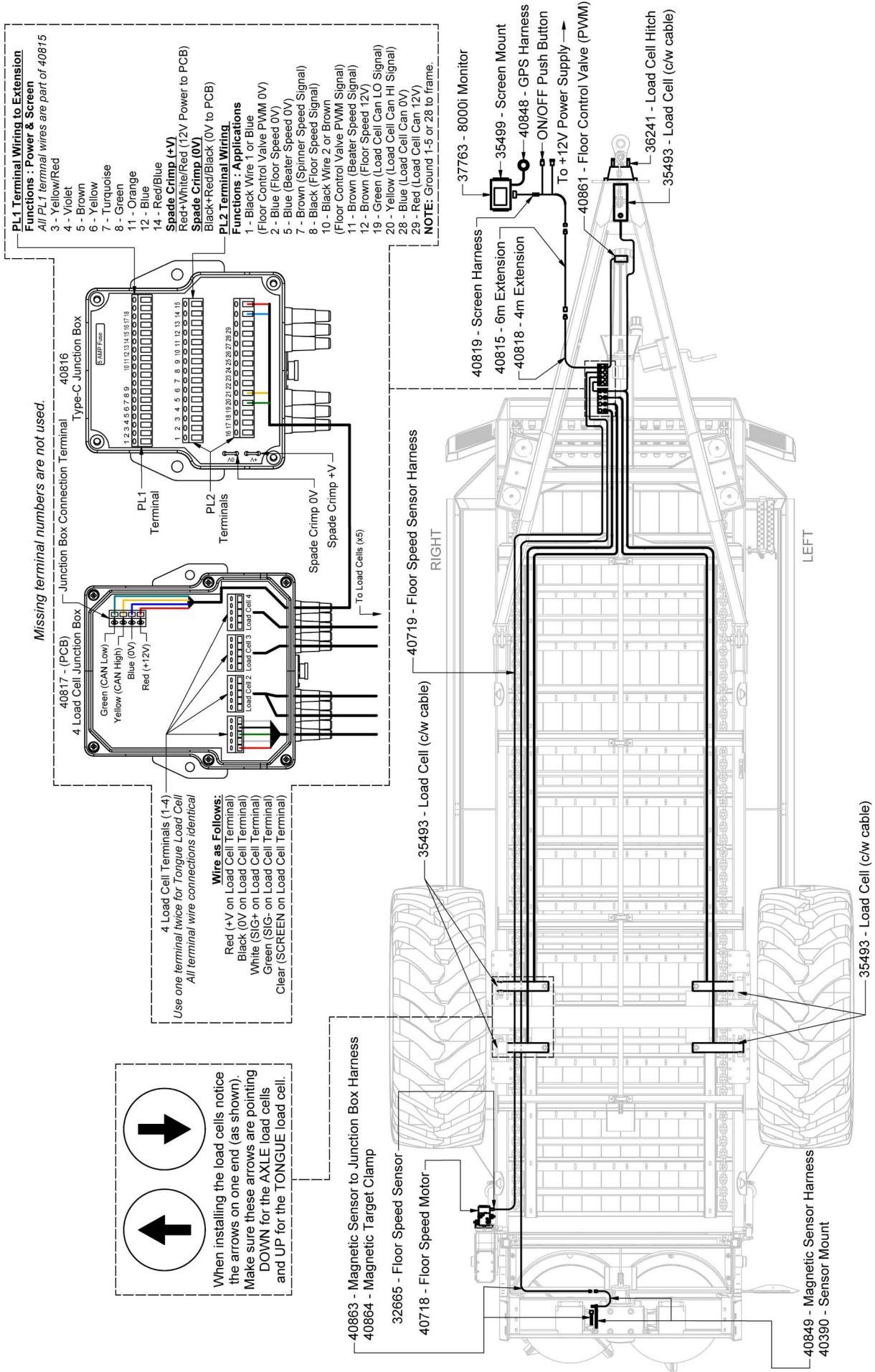
Nitro 575RS Tire Chart		
Axle Type	Part Number	Tire Size
Single	WHE 710X70X38	710/70-38
Tandem	WHE 425X65X22.5L	425/22.5 Recap (Truck)
Tandem	WHE 550X45X22.5	550/45-22.5
Tandem	WHE 700X50X26.5	700/50-26.5

NOTE: Refer to Nitro Operator's Manual for wheel load capacity charts.

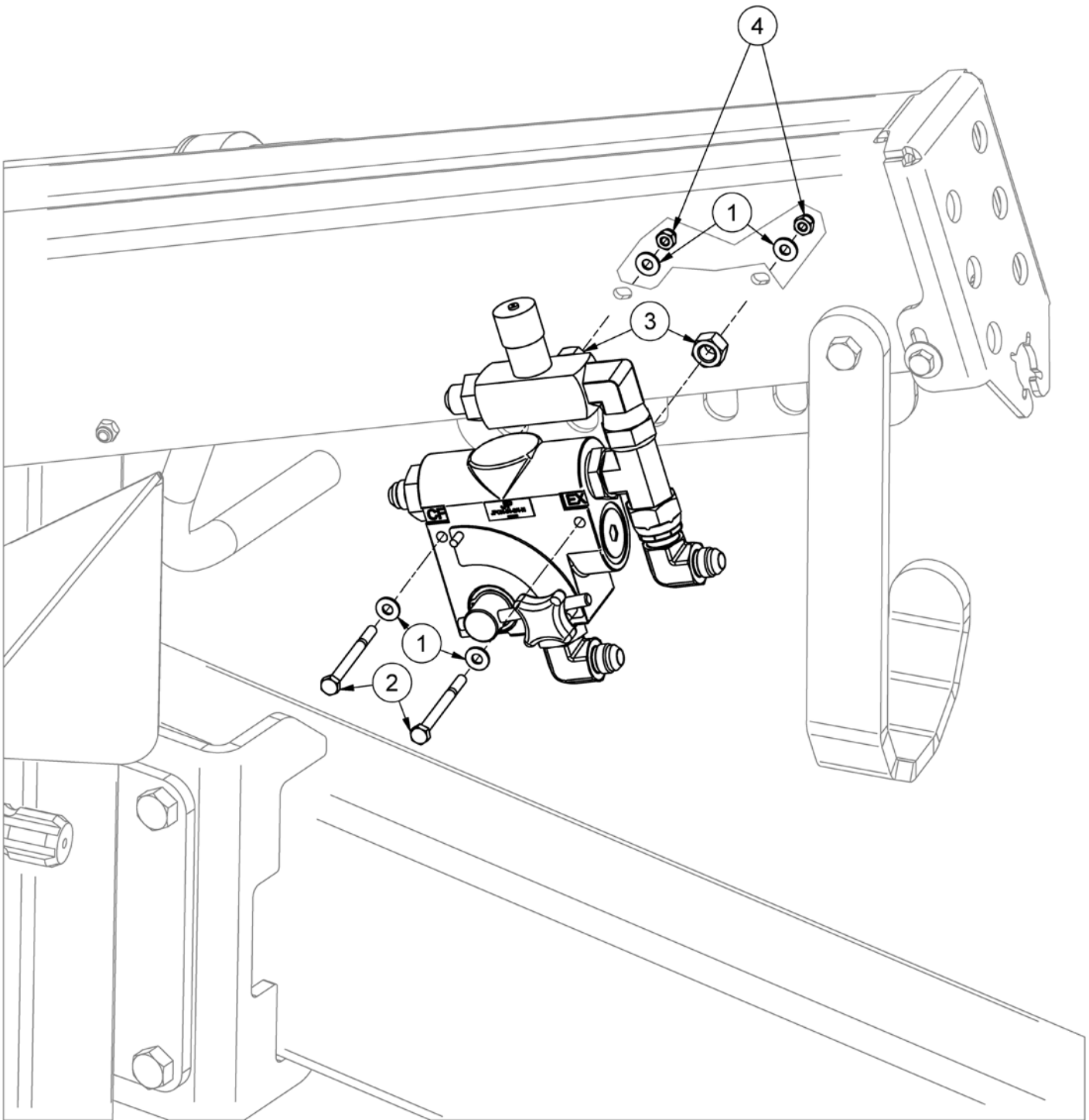
N750LC (GT400) / N750LCNT460 Scales



N750LCNT8000 Scales



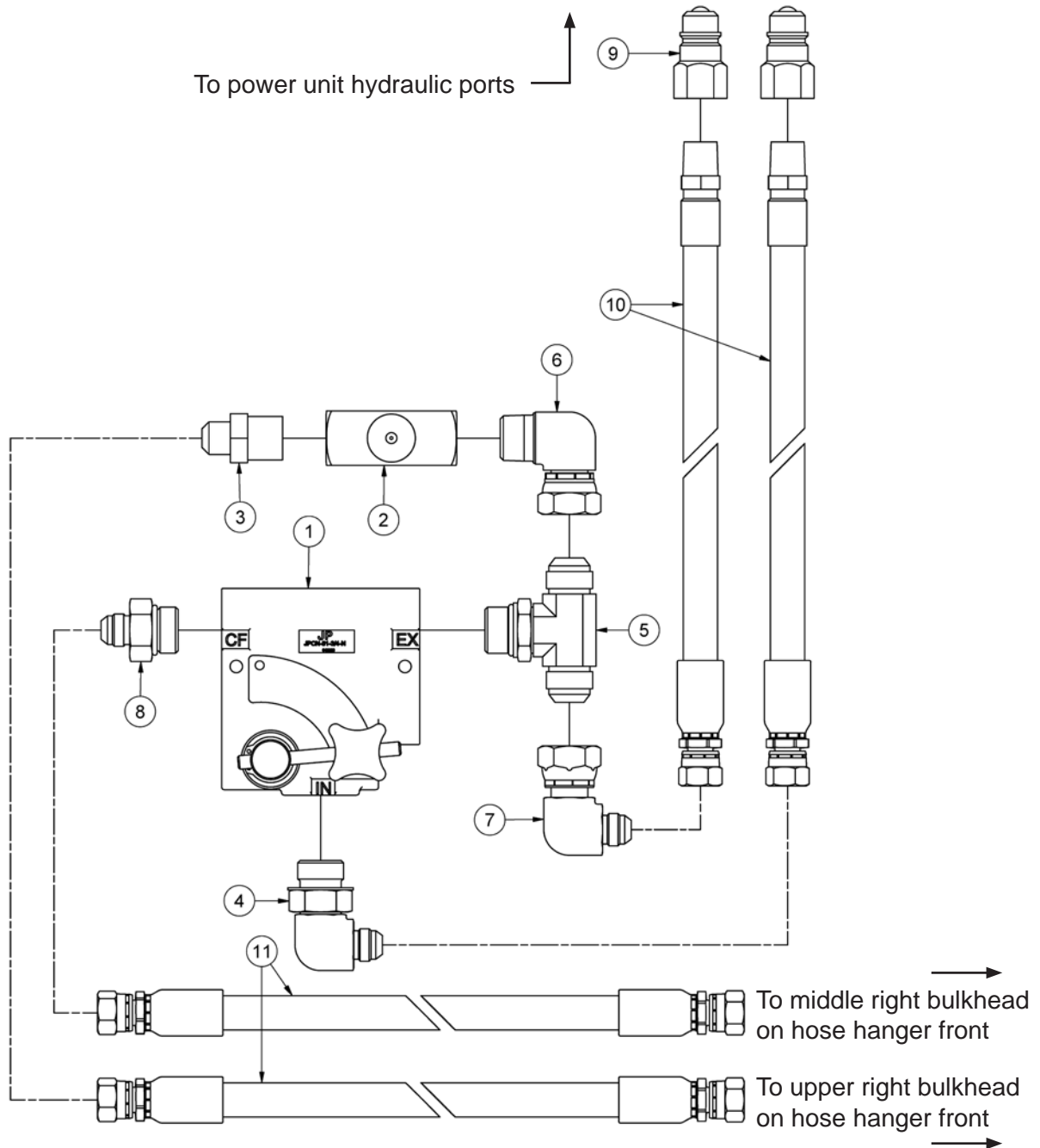
Flow Control Mounting



ITEM	QTY	PART NUMBER	DESCRIPTION
1	4	FW 1/4	Flatwasher - 1/4" Zinc Plated USS
2	2	HB 1/4-20X3 Z5	Hex Bolt 1/4-20x3 Grade 5 Zinc Plated Hex Cap Screw
3	2	HN 1/2	Hex Nut 1/2"-13 Grade 5 Zinc Plated Finished
4	2	LN 1/4 N	LN 1/4-20 Zinc Plated Nylon Insert Lock Nut

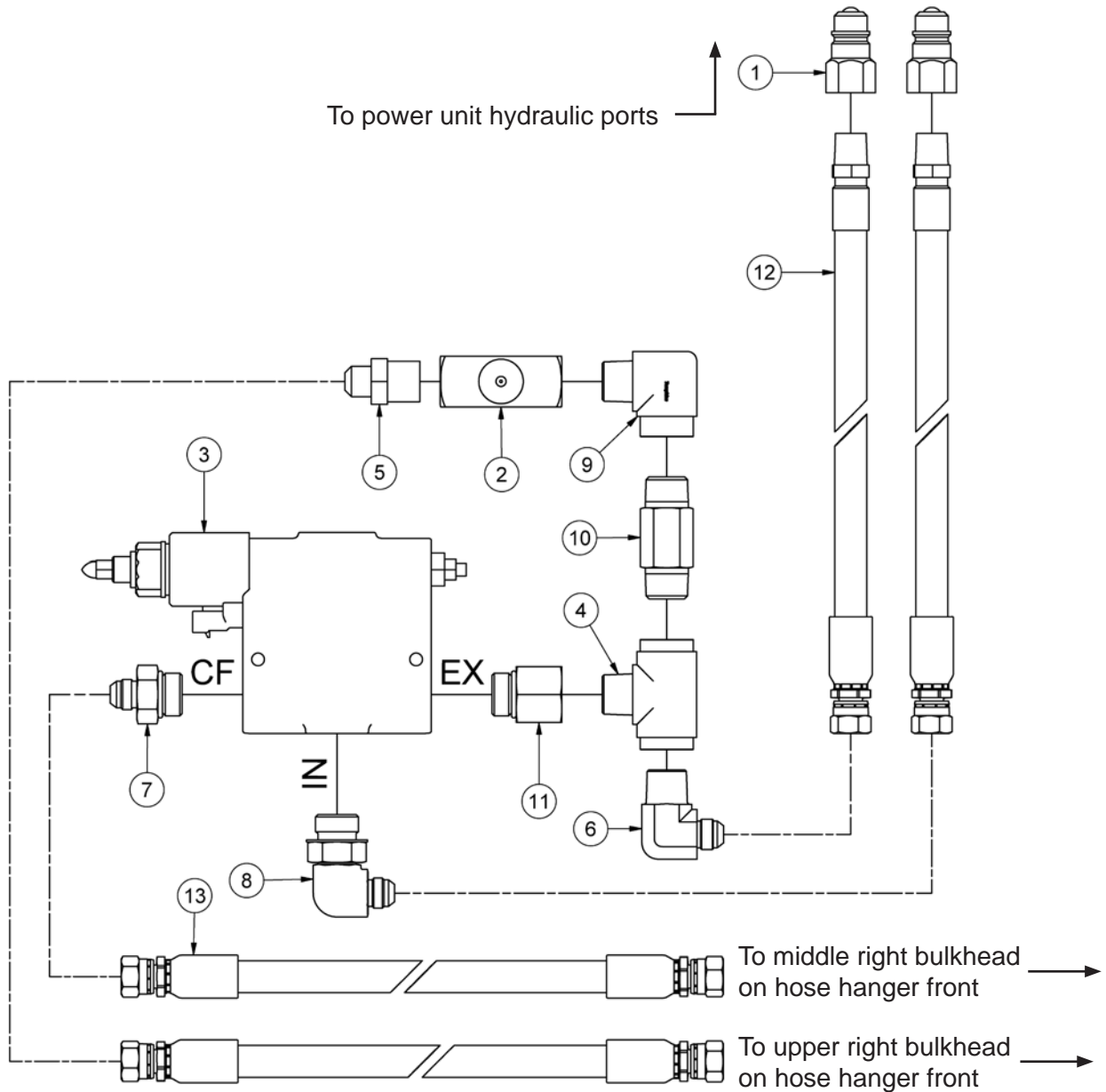
NOTICE: Manual flow control shown. Electric flow control option has same mounting hardware. See hydraulic layouts for flow control breakdowns.

Flow Control Hydraulic Layout - Manual



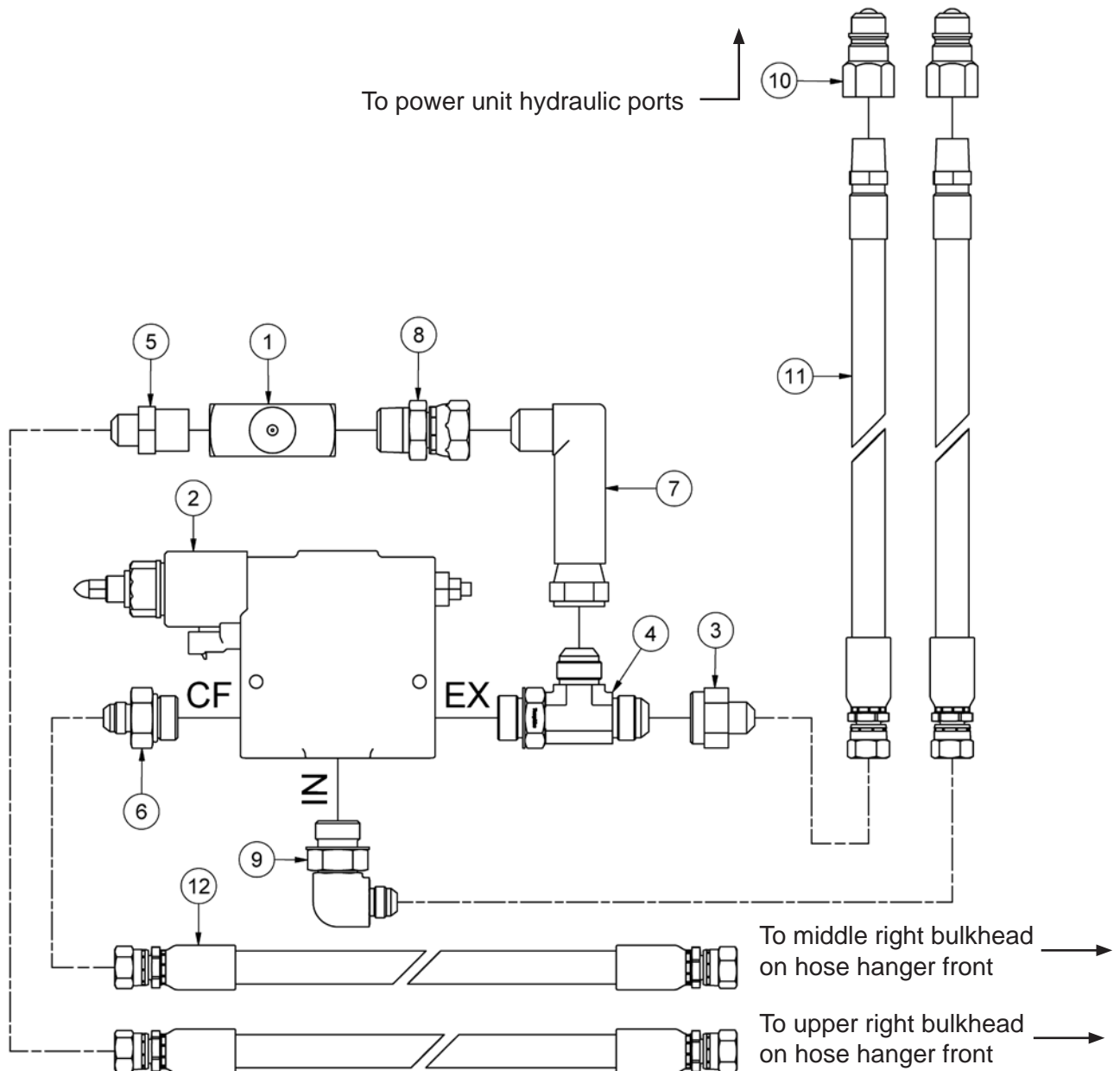
ITEM	QTY	PART NUMBER	DESCRIPTION
1	1	30855	Flow Control - Pressure Compensated 3/4
2	1	30857	Flow Control Valve - 3/4"
3	1	HF 2404-8-12	Hydraulic Fitting - Union
4	1	HF 6801-8-12	Hyd. Fitting - 1/2" JIC - 3/4" 90 Degree Elbow
5	1	HF 6803-12-12-12	Hyd. Fitting Male JIC Male JIC Male ORB Tee
6	1	HF 6501-12-12	Hyd. Fitting 90° 3/4 MNPT - 3/4 FJXH
7	1	HF 6500-8-12	Hyd. Fitting 1/2 Male JIC - 3/4 Female JIC 90°
8	1	HF 6400-8-12	Hyd. Fitting
9	2	HF 8010-4	Quickcoupler 1/2" Male Tip
10	2	30661	HH 1/2 72",8FJX,8MP
11	2	37987	HH 1/2 48",8FJX,8FJX

Flow Control Hydraulic Layout - Electric (Original)



ITEM	QTY	PART NUMBER	DESCRIPTION	NOTE
1	2	HF 8010-4	Quickcoupler 1/2" Male Tip	
2	1	30857	Flow Control Valve - 3/4"	
3	1	37976	Electric Flow Control	Brkdwn Pg.3-22
4	1	HF 5604-12-12	3/4 FNPT X 1/2 MNPT Branch Tee	
5	1	HF 2404-8-12	Hydraulic Fitting - Union	
6	1	HF 2501-8-12	Hydraulic Elbow Fitting - MJIC-MNPT	
7	1	HF 6400-8-12	Hyd. Fitting	
8	1	HF 6801-8-12	Hyd. Fitting - 1/2" JIC - 3/4" 90 Degree Elbow	
9	1	HF 5502-12-12	Hyd. Fitting - 90 Deg. Elbow 12-12	
10	1	HF 5404-L-12-12	Hyd. Fitting 3/4" X 3/4" MNPT Hex Nipple 3" Long	
11	1	HF 6405-12-12	Hydraulic Fitting - Male SAE-ORB to Female NPT	
12	2	30661	1/2" Hydraulic Hose (8FJX,8MP) - 69"	
13	2	37987	1/2" Hydraulic Hose (8FJX,8FJX) - 73"	

Flow Control Hydraulic Layout - Electric (Current)

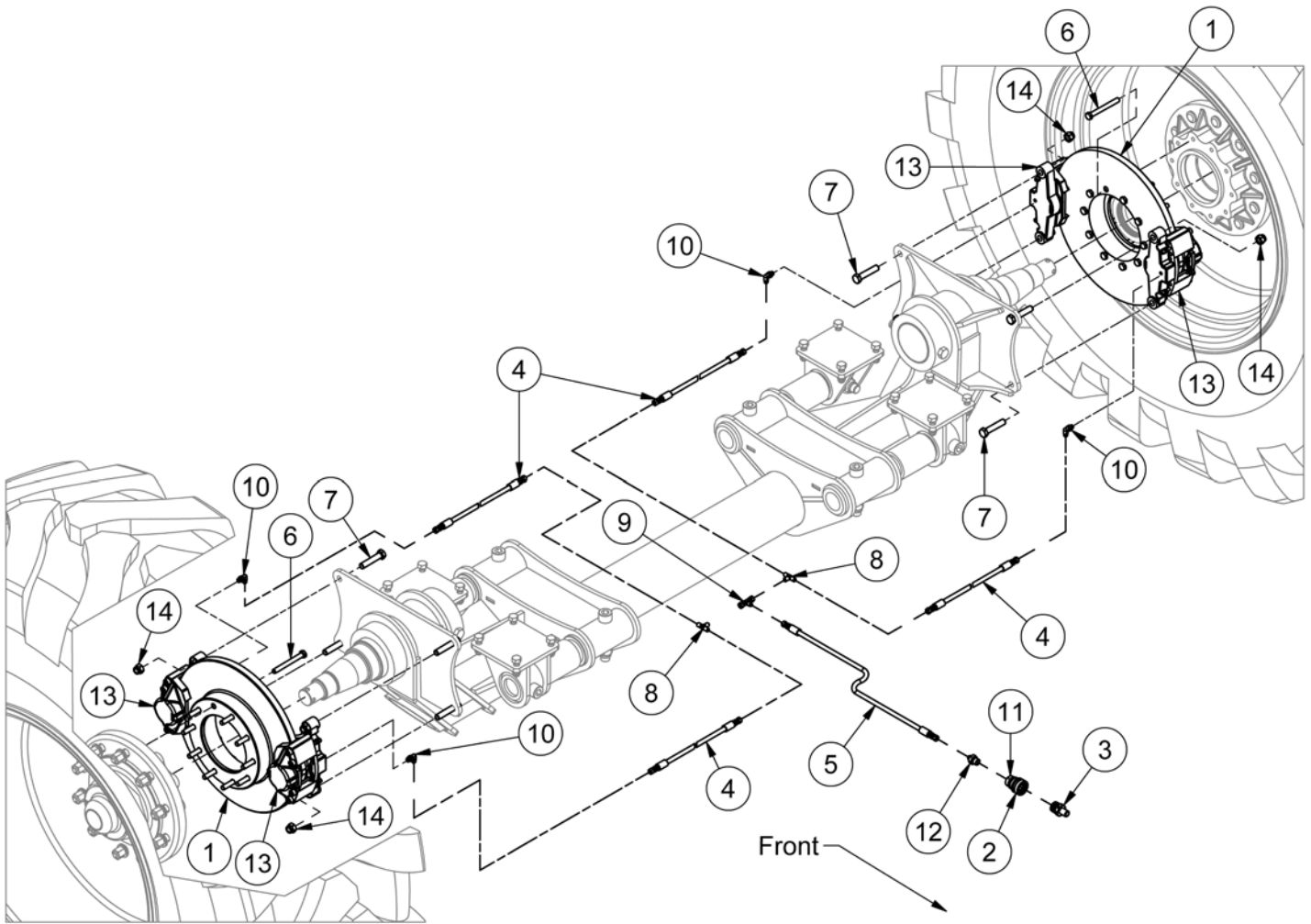


ITEM	QTY	PART NUMBER	DESCRIPTION	NOTE
1	1	30857	Flow Control Valve - 3/4"	
2	1	37976	Electric Flow Control	Brkdwn Pg.3-22
3	1	HF 2406-12-8	Hydraulic Adapter Fitting JIC	
4	1	HF 6804-12-12-12	Hydraulic Tee Fitting - SAE-ORB - MJICs	
5	1	HF 2404-8-12	Hydraulic Fitting - Union	
6	1	HF 6400-8-12	Hyd. Fitting	
7	1	HF 6500-L-12-12-FG	MJ-FJS 90° Elbow Long	
8	1	HF 6505-12-12	Male Pipe To Female JIC Swivel	
9	1	HF 6801-8-12	Hyd. Fitting - 1/2" JIC - 3/4" 90 Degree Elbow	
10	2	HF 8010-4	Quickcoupler 1/2" Male Tip	
11	2	30661	1/2" Hydraulic Hose (8FJX,8MP) - 69"	
12	2	37987	1/2" Hydraulic Hose (8FJX,8FJX) - 73"	

Electric Flow Control Wiring

ITEM	QTY	PART NUMBER	DESCRIPTION
1	1	45344	Electric Flow Controller
1.1	1	37970	2 Prong Plug
1.2	1	TL82-2164	Fuse Holder
1.3	9	EL23662	Wire Connector
1.4	1	TL550-100-079	15 AMP Fuse
1.5	2	TB109-110-307	Power Plug
2	1	45345	Electric Flow Control
2.1	1	37968	Solenoid

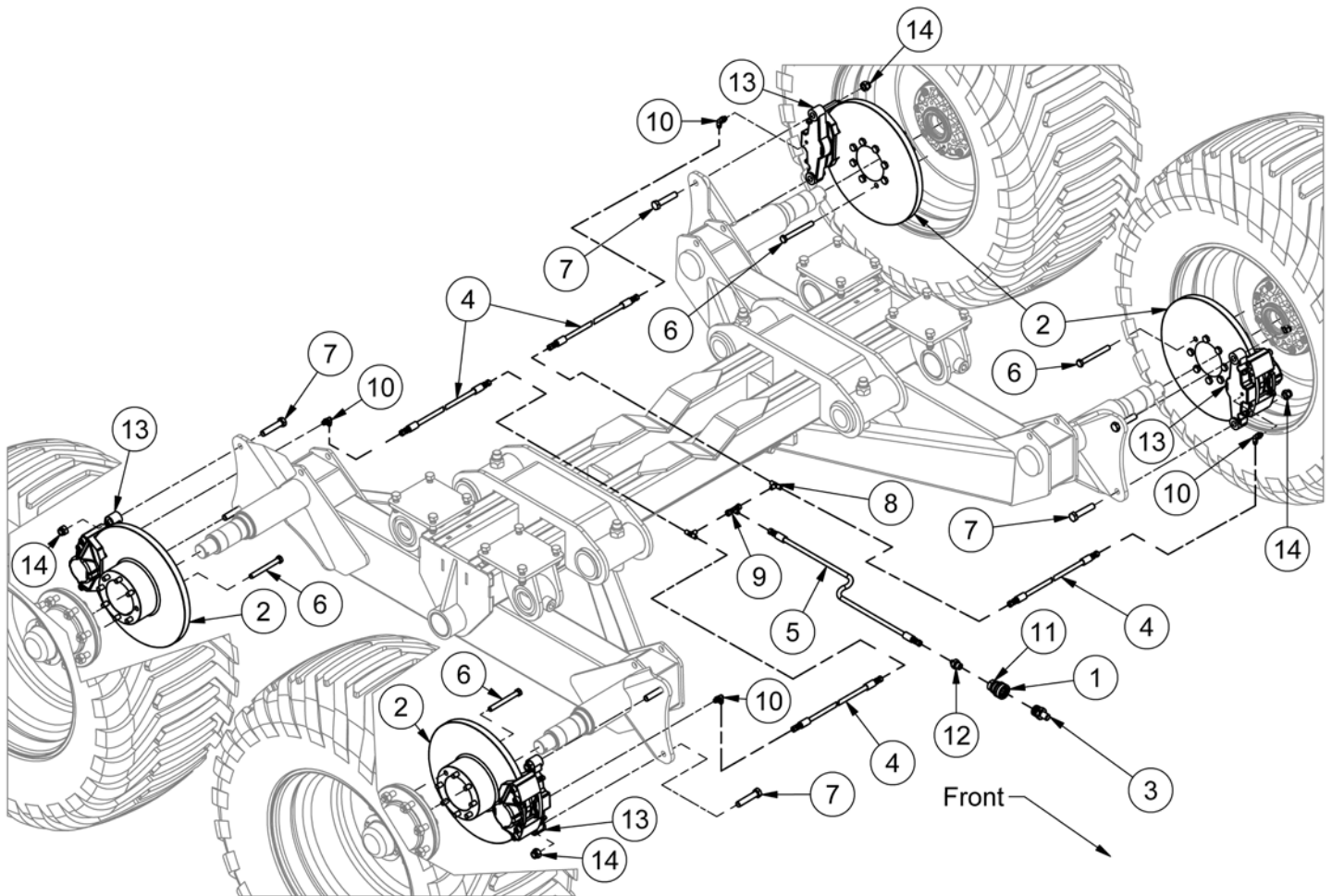
N575SB - Single Axle Brake Kit



*Scale ready axle shown.

ITEM	QTY	PART NUMBER	DESCRIPTION	NOTE
1	2	35382	Rotor for 20000# Hub	
2	1	36022	Hyd. Quick Coupler- Female- For Nitro Brakes	Inc. Item 11
3	1	37846	Hyd. Quick Coupler- Male- For Nitro Brakes	
4	4	39502	Hose - HH64 4AT1(4G4FJX,4G4FJX)HCL64"	
5	1	45038	Hose - HH504 - 4AT1(4FJXH,4FJXH) HCL 504"	
6	20	HB 1/2-20 X4.5 YZ8	Hex Bolt 1/2-20x4 1/2 Grade 8 Zinc Hex Cap Screw	
7	8	HB 5/8-18 X3 YZ8	Hex Bolt 5/8-18x3 Grade 8 Zinc Hex Cap Screw	
8	2	HF 2603-4	Hydraulic Fitting - Male JIC Tee	
9	1	HF 6603-4-4-4	T- Fitting JIC	
10	4	HF 6801-4-4	Hydraulic Fitting - 90° O-Ring to JIC	
11	1	HF 9500-18MM	Metric Thread Bonded Seal	
12	1	HF 9606-04-S18	Hydraulic Adaptor - 1/4" JIC/M18-1.5	
13	4	LA-11-1527	16000# Caliper	
14	8	LN 5/8 F	Center Locknuts (5/8-18) 2-Way Fine Thread	

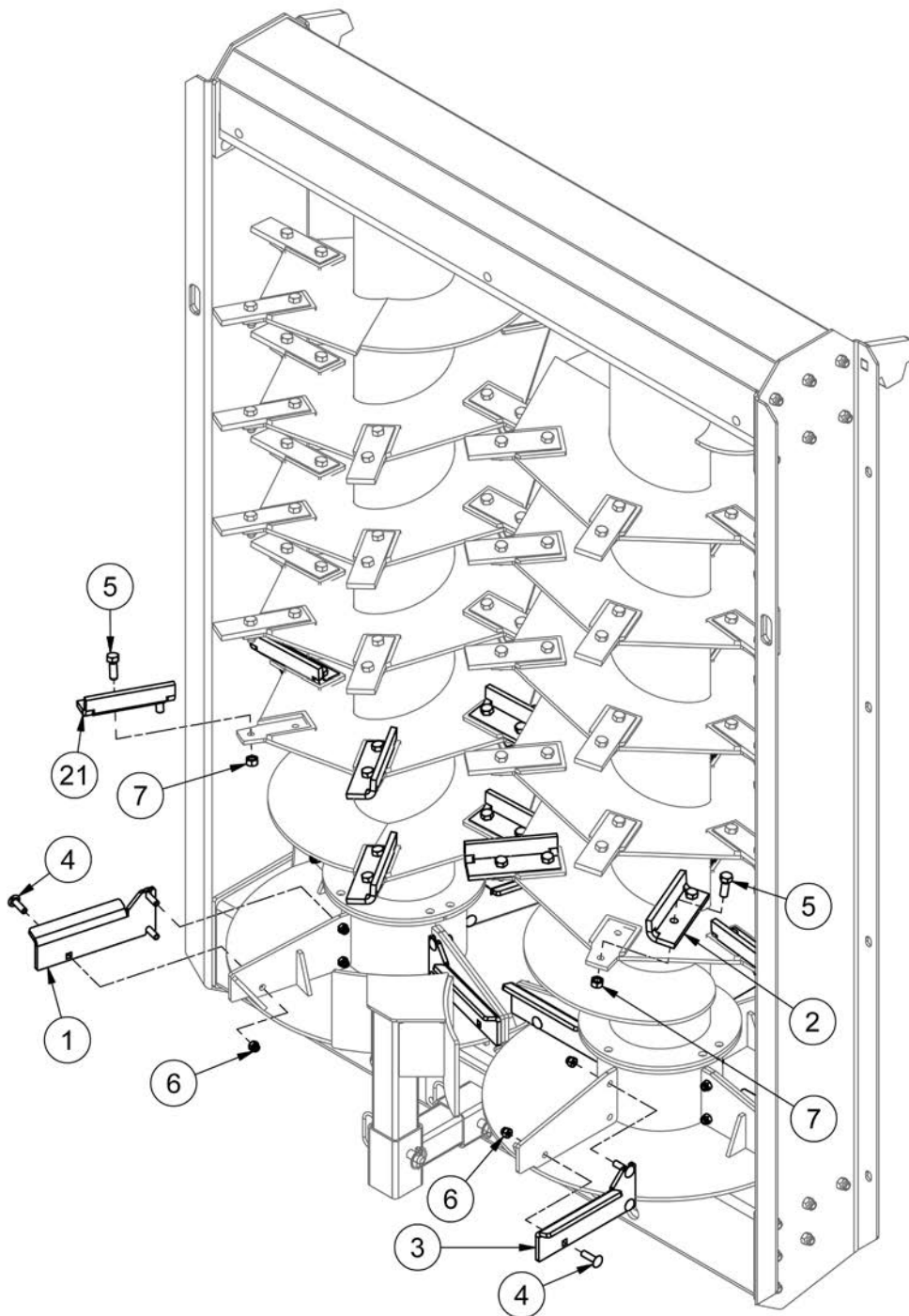
N575TB - Tandem Axle Brake Kit



*Scale ready axle shown.

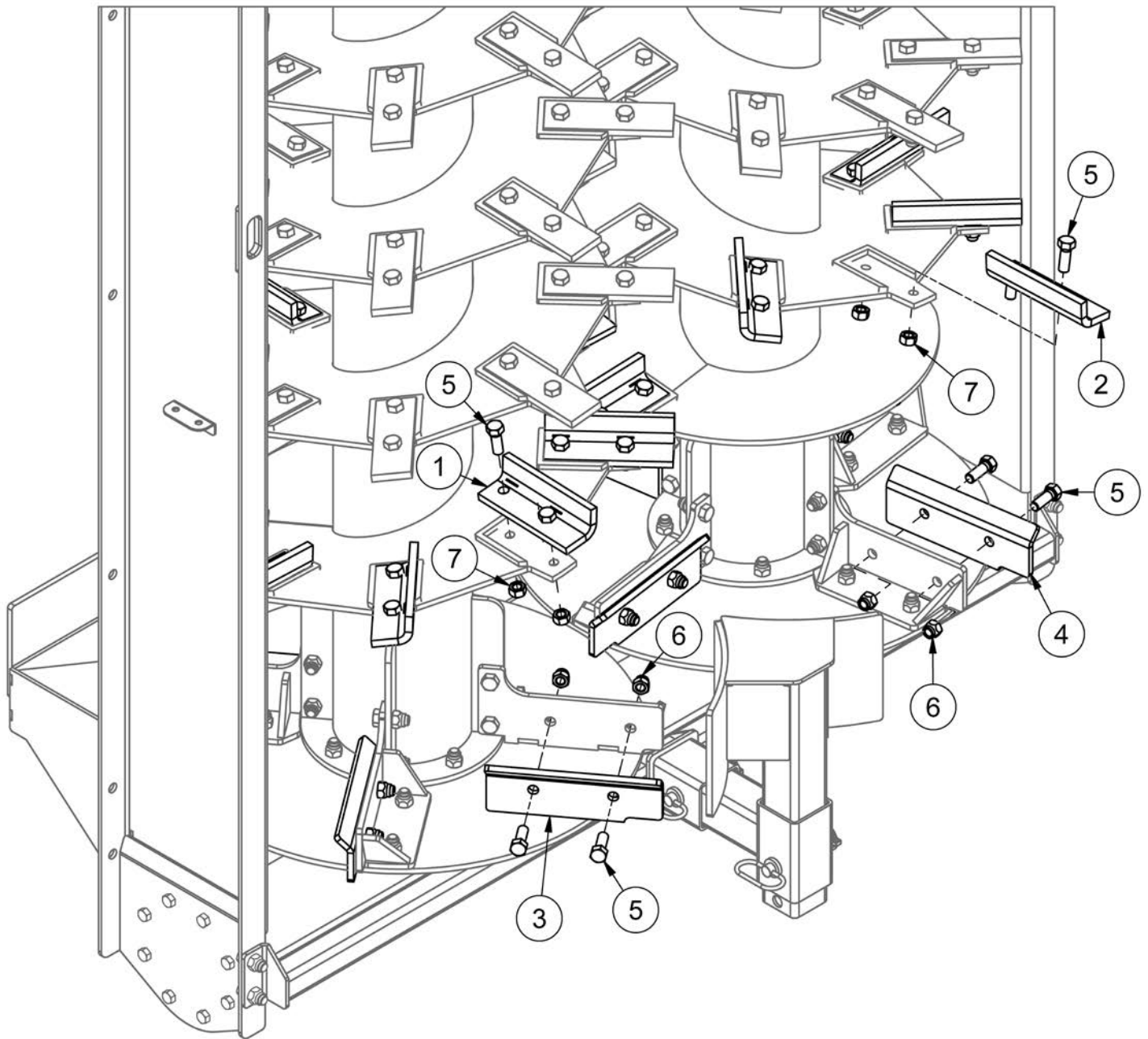
ITEM	QTY	PART NUMBER	DESCRIPTION	NOTE
1	1	36022	Hyd. Quick Coupler- Female- For Nitro Brakes	Inc. Item 11
2	4	36042	12000# Hub Rotor	
3	1	37846	Hyd. Quick Coupler- Male- For Nitro Brakes	
4	4	39502	Hose - HH64 4AT1(4G4FJX,4G4FJX)HCL64"	
5	1	45038	Hose - HH504 - 4AT1(4FJXH,4FJXH) HCL 504"	
6	32	HB 1/2-20 X4.5 YZ8	Hex Bolt 1/2-20x4 1/2 Grade 8 Zinc Hex Cap Screw	
7	8	HB 5/8-18 X3 YZ8	Hex Bolt 5/8-18x3 Grade 8 Zinc Hex Cap Screw	
8	2	HF 2603-4	Hydraulic Fitting - Male JIC Tee	
9	1	HF 6603-4-4-4	T- Fitting JIC	
10	4	HF 6801-4-4	Hydraulic Fitting - 90° O-Ring to JIC	
11	1	HF 9500-18MM	Metric Thread Bonded Seal	
12	1	HF 9606-04-S18	Hydraulic Adaptor - 1/4" JIC/M18-1.5	
13	4	LA-11-1527	16000# Caliper	
14	8	LN 5/8 F	Center Locknuts (5/8-18) 2-Way Fine Thread	

Flange Paddle Kit - 41504 - Up to SN 22NRS375 & 22NRS31001 - 23NRS370



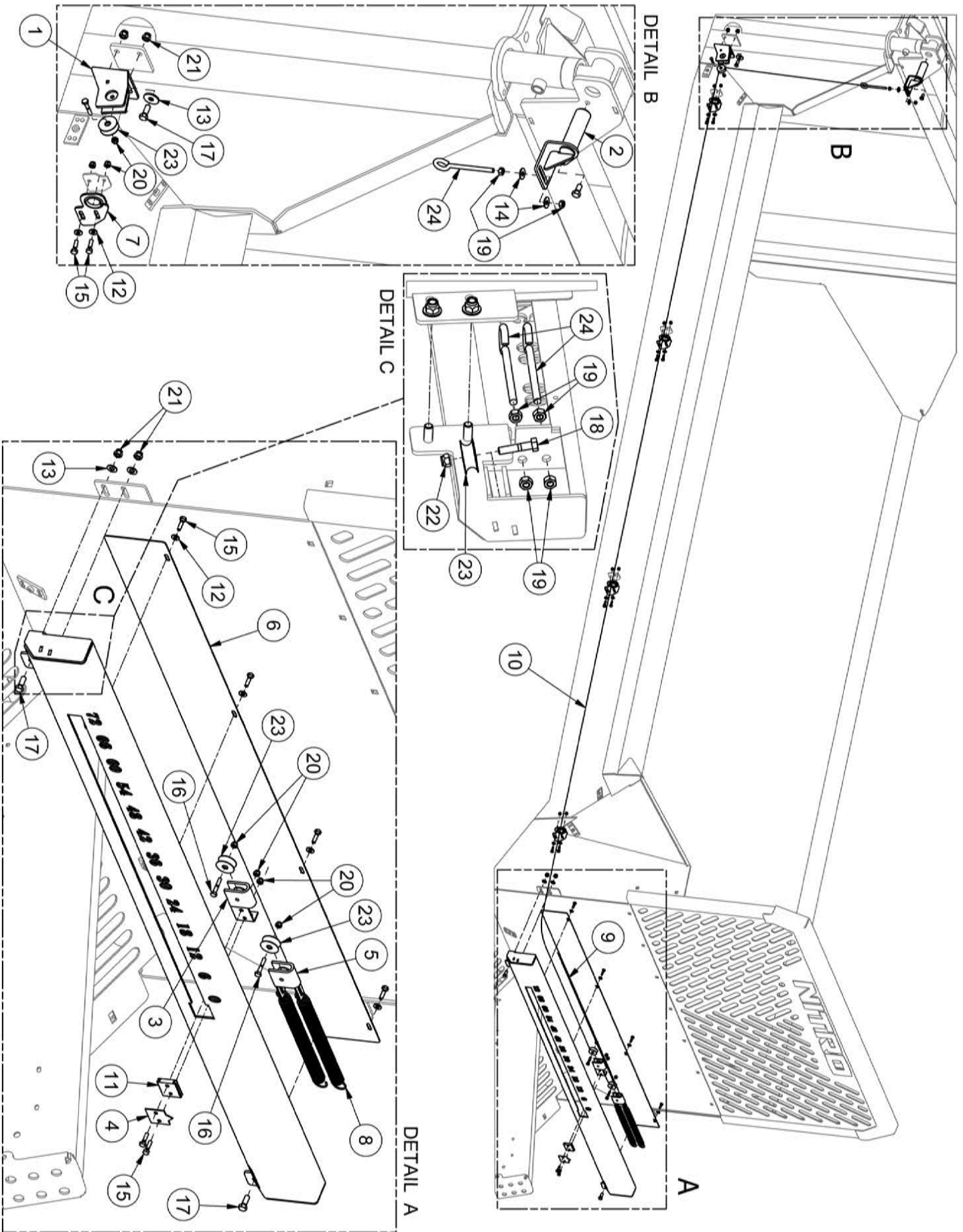
ITEM	QTY	PART NUMBER	DESCRIPTION
1	4	33321	Cupped Paddles - Left
21	8	36518	Beater Paddle (Cupped) Left
2	8	37718	Beater Paddle (Cupped) Right
3	4	37719	Cupped Paddles - Right
4	24	CB1/2-13X1.75CZ5	Carriage Bolt - 1/2-13 x 1 3/4" Grade 5 Zinc
5	32	HB5/8-11X1.75Z5	Hex Bolt 5/8-11x1 3/4 Grade 5 Zinc Plated Hex Cap Screw
6	24	LN1/2-13NCZ5	LN 1/2-13 Zinc Plated Nylon Insert Lock Nut
7	32	LN5/8-11TCZ5	LN 5/8-11 Gr.C Zinc Top Lock Nut

Flange Paddle Kit - 47553 - SN 22NRS376-3100 & 23NRS371 - Current



ITEM	QTY	PART NUMBER	DESCRIPTION
1	8	36518	Cupped Beater Paddle - Left
2	8	37718	Cupped Beater Paddle - Right
3	4	47551	375 Left Cupped Spinner Paddle
4	4	47552	375 Right Cupped Spinner Paddle
5	48	HB5/8-11X1.75Z5	Hex Bolt 5/8-11x1 3/4 Grade 5 Zinc Plated Hex Cap Screw
6	16	LN5/8-11NCZ5	LN 5/8-11 Zinc Plated Nylon Insert Lock Nut
7	32	LN5/8-11TCZ5	LN5/8-11 Gr.C Zinc Top Lock Nut

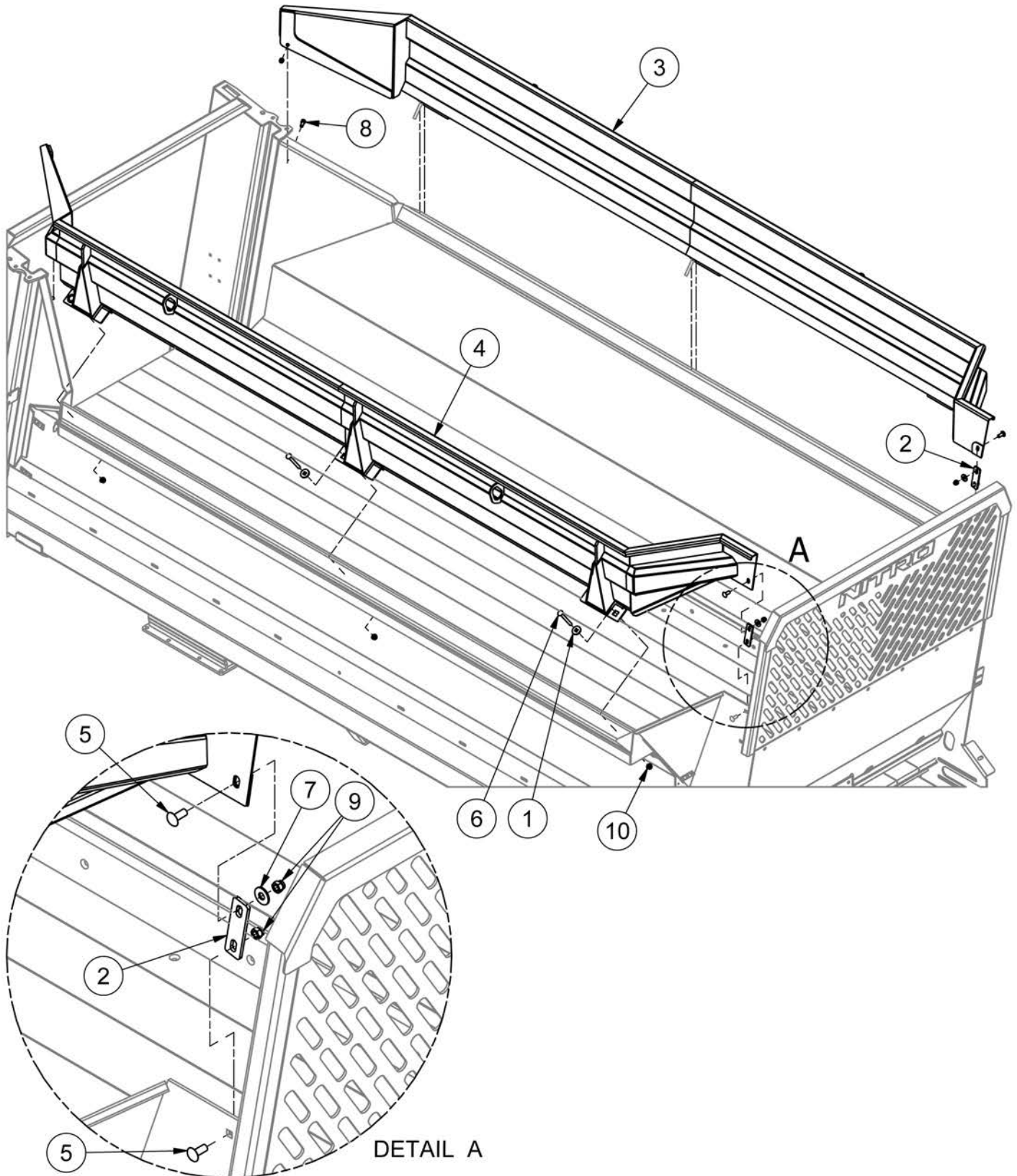
Endgate Indicator Kit - 45862



Endgate Indicator Kit - 45862

ITEM	QTY	PART NUMBER	DESCRIPTION
1	1	45313	Pulley Mount
2	1	45314	Endgate Cable Pin
3	1	45407	Indicator Slider Mount
4	1	45409	Indicator Arrow
5	1	45410	Spring Tensioner Pulley
6	1	45575	525 Indicator Back Cover
7	4	45859	Indicator Wire Mount
8	2	46086	Spring 12.0 X 1.0 X .105
9	1	48201	Front Indicator Cable - .125" x 60"
10	1	48206	Indicator Side Cable - .125" x 318"
11	1	BF5000-183	Indicator Slider
12	12	FW 1/4	Flatwasher - 1/4" Zinc Plated USS
13	6	FW 3/8	Flatwasher - 3/8" Zinc Plated USS
14	6	FW 5/16	Flatwasher - 5/16" Zinc Plated USS
15	14	HB 1/4-20X1 Z5	Hex Bolt 1/4-20x1 Grade 5 Zinc Plated Hex Cap Screw
16	3	HB 1/4-20X1.5 Z5	Hex Bolt 1/4-20x1 1/2 Grade 5 Zinc Plated Hex Cap Screw
17	6	HB 3/8-16X1 Z5	Hex Bolt 3/8-16x1 Grade 5 Zinc Plated Hex Cap Screw
18	1	HB 5/16-18X1.5 Z5	Hex Bolt 5/16-18x1 1/2 Grade 5 Zinc Plated Hex Cap Screw
19	6	HN 5/16	Hex Nut 5/16"-18 Grade 5 Zinc Plated Finished
20	13	LN 1/4 N	LN 1/4-20 Zinc Plated Nylon Insert Lock Nut
21	6	LN 3/8 N	LN 3/8-16 Zinc Plated Nylon Insert Lock Nut
22	1	LN 5/16 N	LN 5/16-18 Zinc Plated Nylon Insert Lock Nut
23	4	PP00423	Pulley
24	3	PP00682	Eye Bolt - 5/16-18 x 4" Shank Zinc Plated Turned

Silage Side Extensions - 49427



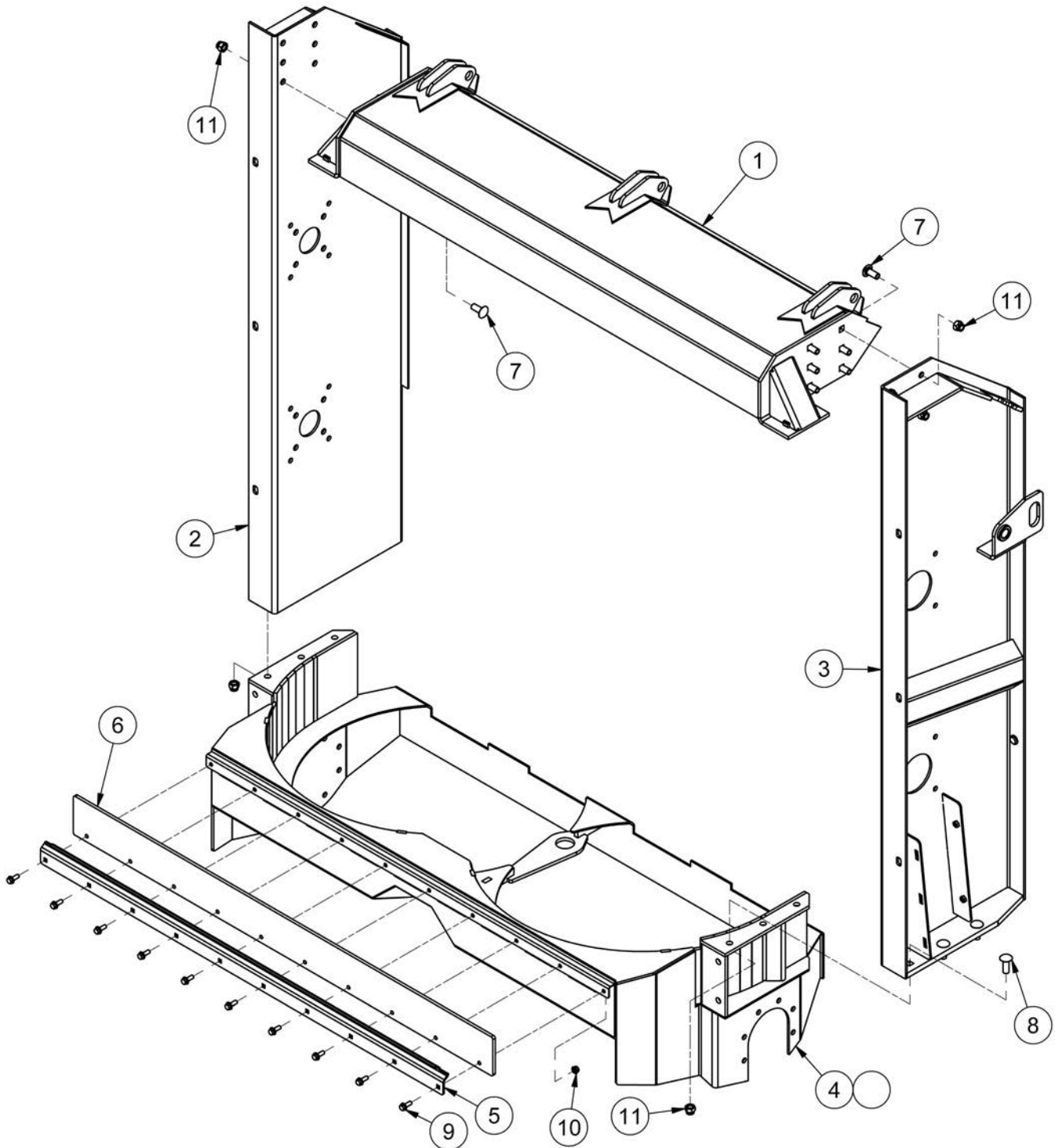
Silage Side Extensions - 49427

ITEM	QTY	PART NUMBER	DESCRIPTION
1	6	46024	Mount Washer
2	2	47910	Mount Plate
3	1	47928	575 Left Silage Extension
4	1	47929	575 Right Silage Extension
5	4	CB1/2-13X1.25CZ5	Carriage Bolt - 1/2-13 x 1 1/4" Grade 5 Zinc
6	6	CB1/2-13X5CZ5	Carriage Bolt - 1/2-13 x 5" Grade 5 Zinc
7	4	FW 1/2	Flatwasher - 1/2" Zinc Plated USS
8	2	HB1/2-13X1.5Z5	Hex Bolt 1/2-13x1 1/2 Grade 5 Zinc Plated Hex Cap Screw
9	6	LN1/2-13NCZ5	LN 1/2-13 Zinc Plated Nylon Insert Lock Nut
10	6	HNC1/2	Serrated Hex Nut

Section 4 - Option - Poultry Beaters

Poultry Beaters - Frame

Specify Manure Spreader serial no. when ordering replacement parts.

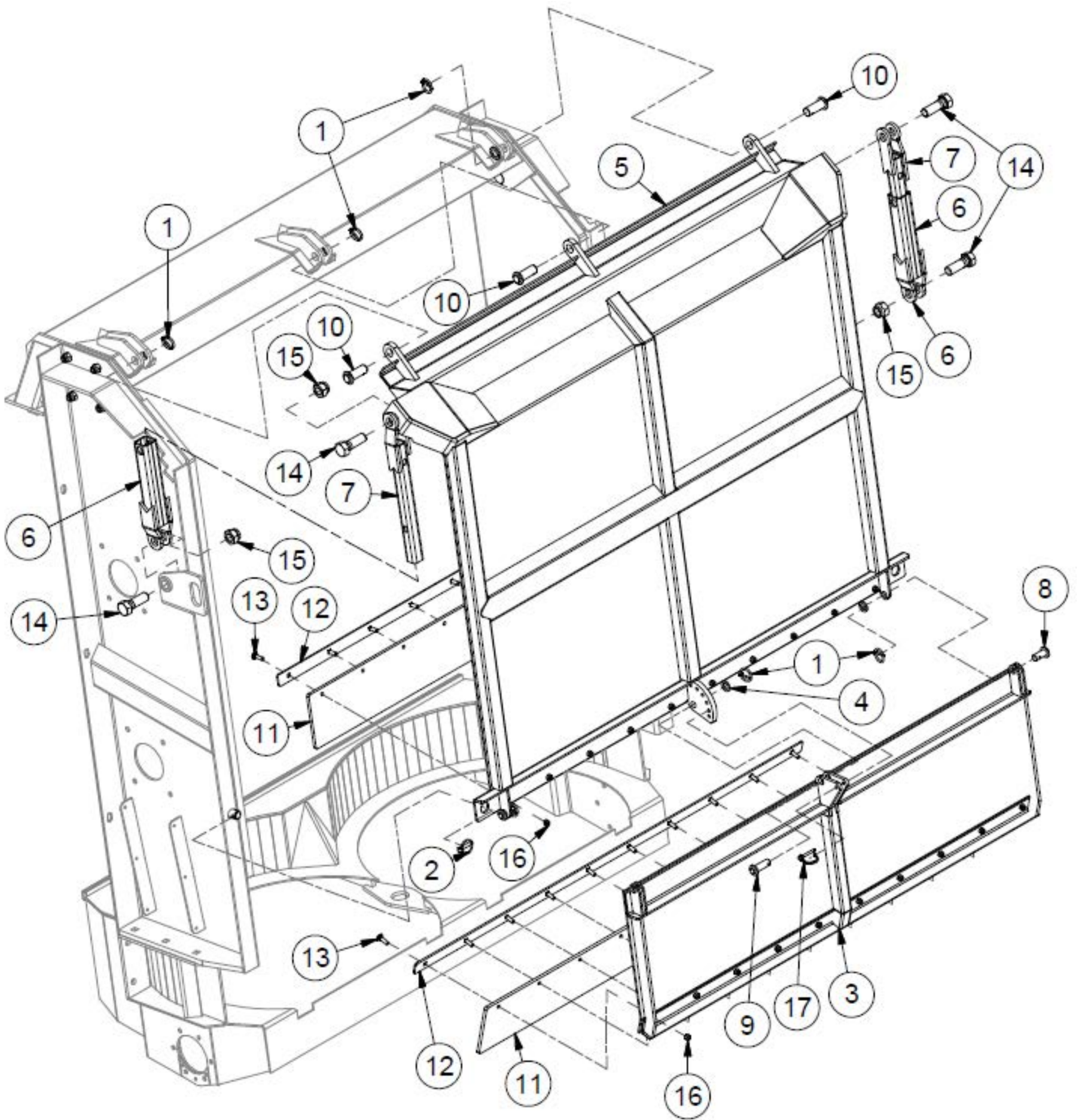


Poultry Beaters - Frame

Specify Manure Spreader serial no. when ordering replacement parts.

ITEM	QTY	PART NUMBER	DESCRIPTION	NOTE
1	1	40334	Beater Gate Mount	
2	1	40378	Beater Right Panel	
3	1	40380	Beater Left Panel	
4	1	44921	Spinner Mounting Assembly	Current
	1	40335	Spinner Mounting Assembly	Original
5	1	45367	Wiper Deflector	
6	1	46077	Rubber Seal	
7	12	CB5/8-11X1.5CZ5	Carriage Bolt - 5/8-11 x 1 1/2" Grade 5 Zinc	
8	6	CB5/8-11X1.75CZ5	Carriage Bolt - 5/8-11 x 1 3/4" Grade 5 Zinc	
9	10	HBC3/8X1	Hex Bolt Cerrated 3/8-16 x 1 Zinc Flange Bolt	
10	10	HNC3/8	Serrated Hex Nut	
11	18	LN5/8-11NCZ5	LN 5/8-11 Zinc Plated Nylon Insert Lock Nut	

Poultry Beaters - Endgate

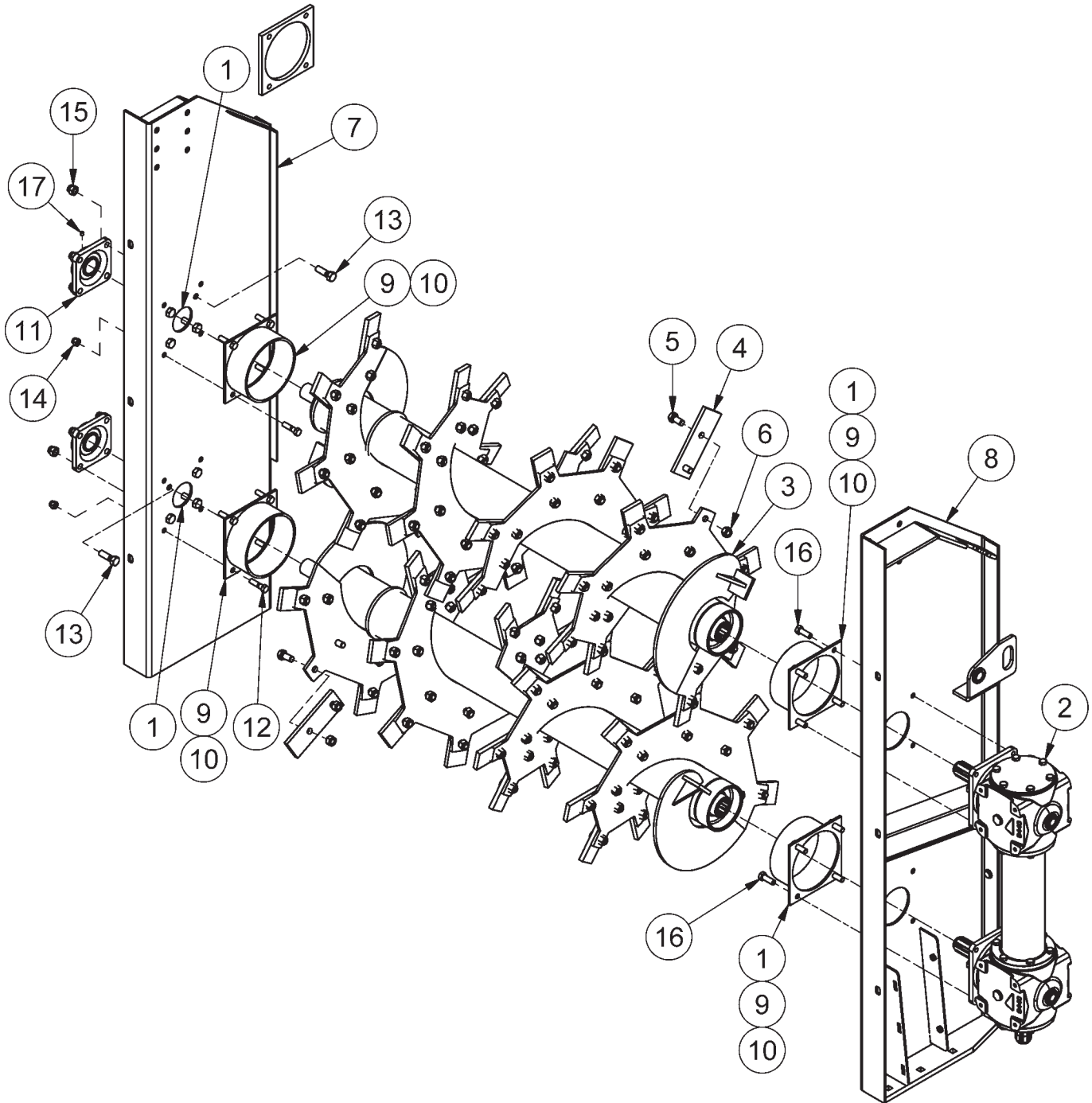


Poultry Beaters - Endgate

ITEM	QTY	PART NUMBER	DESCRIPTION
1	6	25680	Lynch Pin 3/16 x 1.5
2	2	28940	Lynch Pin - 3/8 X 1-3/4"
3	1	40332	Lower Gate
4	3	40365	Beater Gate Washer
5	1	40375	Upper Gate
6	2	40389	Sliding Hinge Clevice
7	2	40393	Sliding Hinge Arm
8	2	42175	Gate Pin
9	1	42176	Long Gate Pin
10	3	42177	Top Gate Pin
11	3	450-441	Rubber Seal
12	3	600-790	Rubber Hold Down
13	20	CB 3/8-16X1.1/4 Z5	Carriage Bolt - 3/8"-16 x 1-1/4" Zinc Finish SAE J429 Grade 5 Round Head
14	4	HB 1-8X3.0 Z5	Hex Bolt - 1"-8 x 3" Grade 5 Zinc Plated Hex Cap Screw NC
15	4	LN 1.0 N	Locknuts - 1-8 Zinc Plated Nylon Insert
16	20	LN 3/8 N	Locknuts - 3/8-16 Zinc Plated Nylon Insert Lock Nut
17	1	LP B1995	Pin - Lock Pin 1/4x1 3/4

Poultry Beaters - Beaters

Specify Manure Spreader serial no. when ordering replacement parts.



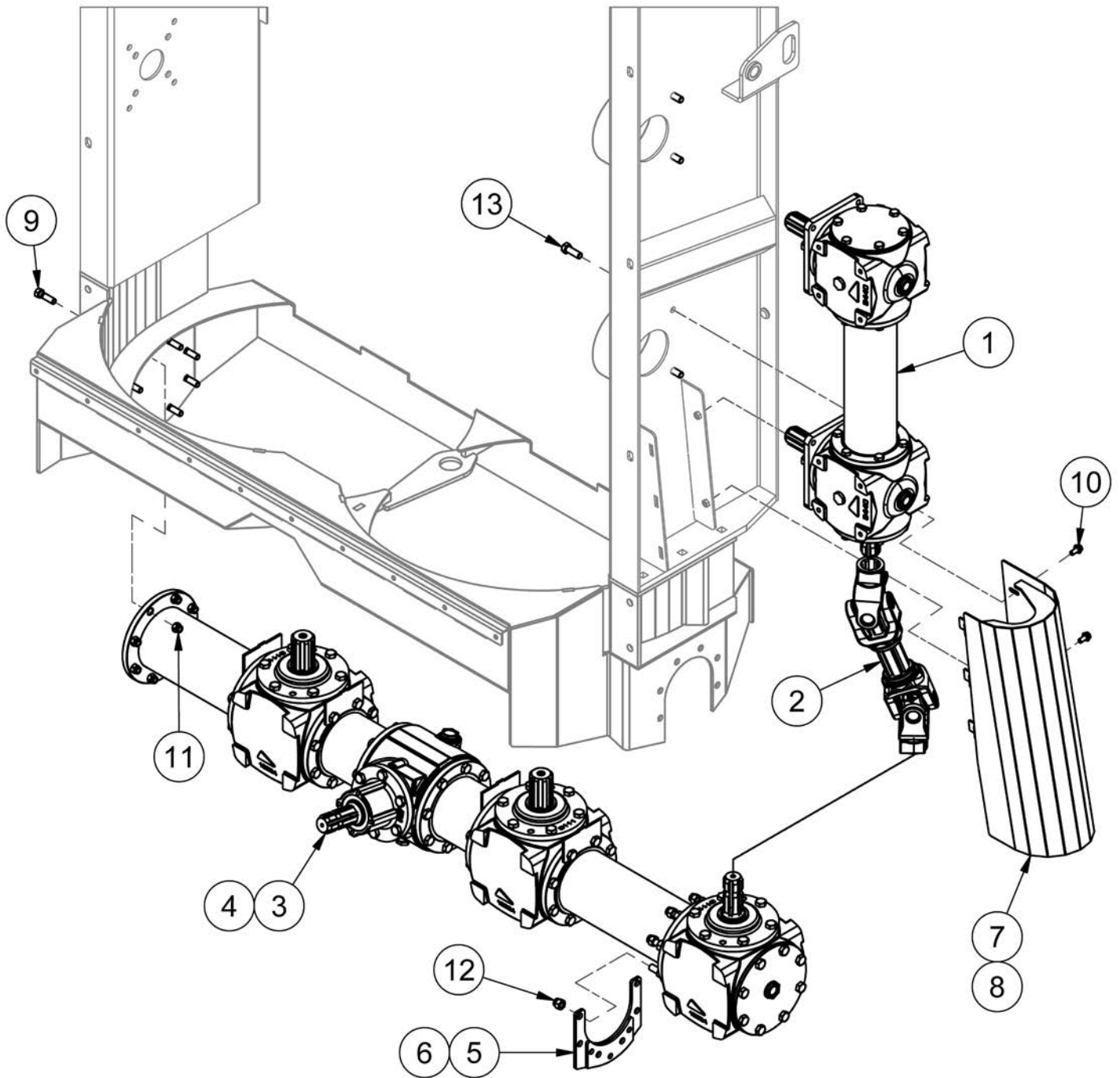
Poultry Beaters - Beaters

Specify Manure Spreader serial no. when ordering replacement parts.

ITEM	QTY	PART NUMBER	DESCRIPTION	NOTE
1	4	36723	Inside Plate for Beaters	Original Style
2	1	37827	Gear Box - Side Poultry	
3	2	40356	Beater	
4	28	400-438	Beater Paddle	Qty/1 Beater
5	56	HB5/8-11X1.5Z5	Hex Bolt 5/8-11x1 1/2 Grade 5 Zinc Plated Hex Cap Screw	Qty/1 Beater
6	56	LN5/8-11CCZA	Center Lock Nut 5/8"-11 Grade A Zinc Plated	Qty/1 Beater
7	1	40378	Beater Right Panel	
8	1	40380	Beater Left Panel	
9	1	37936	Beater End Covers	Original Style
10	4	45663	Beater Shields	Current Style
11	2	F209-1.75-SET	Square Flange Housing	
12	16	HB1/2-13X2Z5	Hex Bolt 1/2-13x2 Grade 5 Zinc Plated Hex Cap Screw	
13	8	HB5/8-11X2Z5	Hex Bolt 5/8-11x2 Grade 5 Zinc Plated Hex Cap Screw	
14	40	LN1/2-13NCZ5	LN 1/2-13 Zinc Plated Nylon Insert Lock Nut	
15	26	LN5/8-11NCZ5	LN 5/8-11 Zinc Plated Nylon Insert Lock Nut	
16	8	M14X40X2	Metric Bolt	
17	4	SS5/16-18CX0.375CP	Allan Head Set Screw, 5/16-18 x 3/8	

Poultry Beaters - Drivelines

Specify Manure Spreader serial no. when ordering replacement parts.



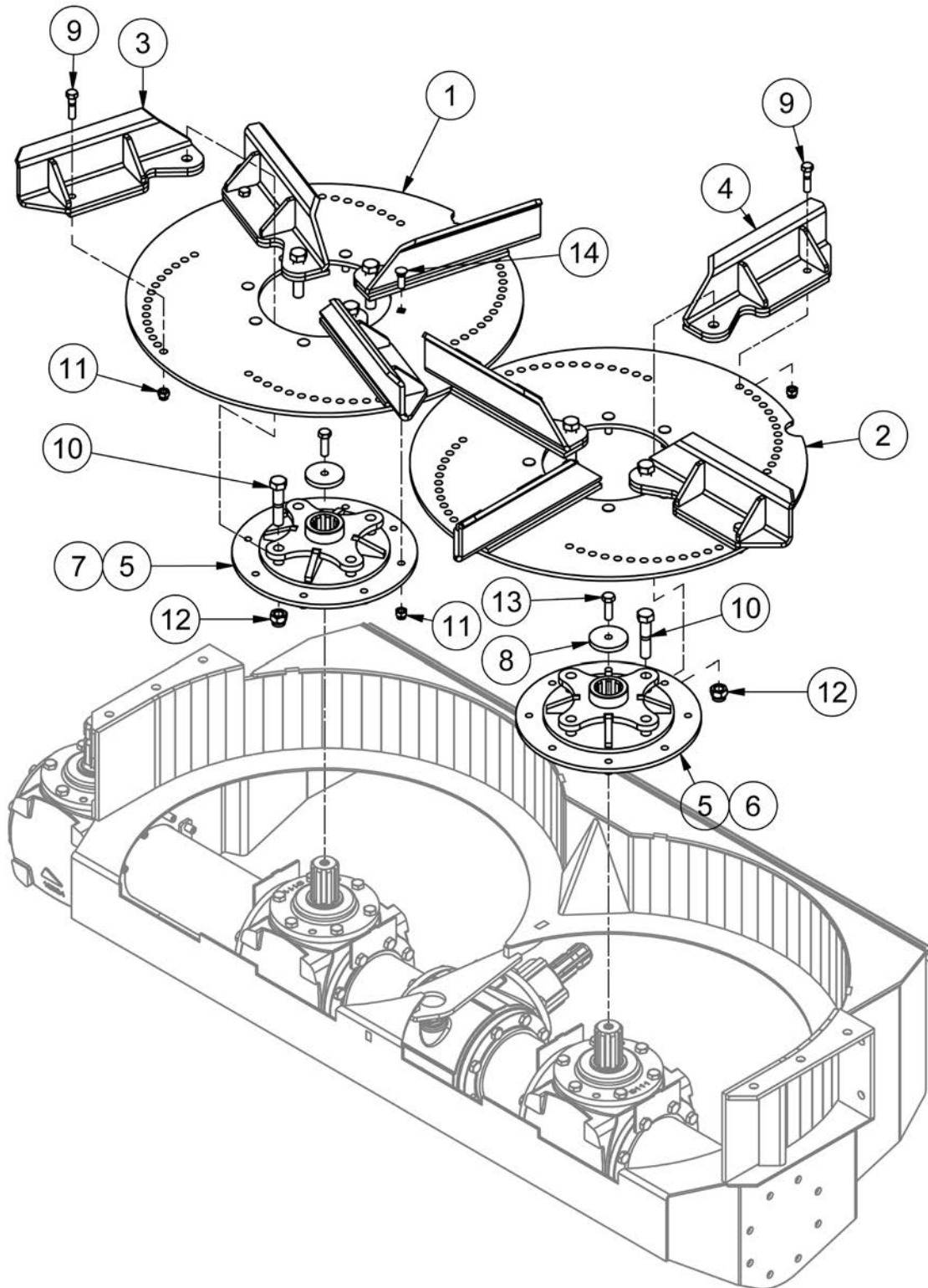
Poultry Beaters - Drivelines

Specify Manure Spreader serial no. when ordering replacement parts.

ITEM	QTY	PART NUMBER	DESCRIPTION	NOTE
1	1	37827	Gear Box - Side Poultry	
2	1	39998	PTO Cross Drive Shaft	
3	1	44836	Gear Box SRT18/1710	Current
4	1	37828	Gear Box - Lower Poultry	Original
5	1	44926	Bottom Gearbox Support	Current
6	1	42173	Bottom Gearbox Support	Original
7	1	46038	PTO Shield	Current
8	1	40259	PTO Shield	Original
9	8	HB1/2-13X1.75Z5	Hex Bolt 1/2-13x1 3/4 Grade 5 Zinc Plated Hex Cap Screw	
10	2	HBC3/8X0.75	Hex Bolt Cerrated 3/8-16 x 3/4 Zinc Flange Bolt	
11	8	LN1/2-13NCZ5	LN 1/2-13 Zinc Plated Nylon Insert Lock Nut	
12	8	LN14-2CZ5	Locknut - M14-2 Zinc Plated Nylon Insert Lock Nut	
13	8	M14X40X2	Metric Bolt	

Poultry Beaters - Spinners

Specify Manure Spreader serial no. when ordering replacement parts.



Poultry Beaters - Spinners

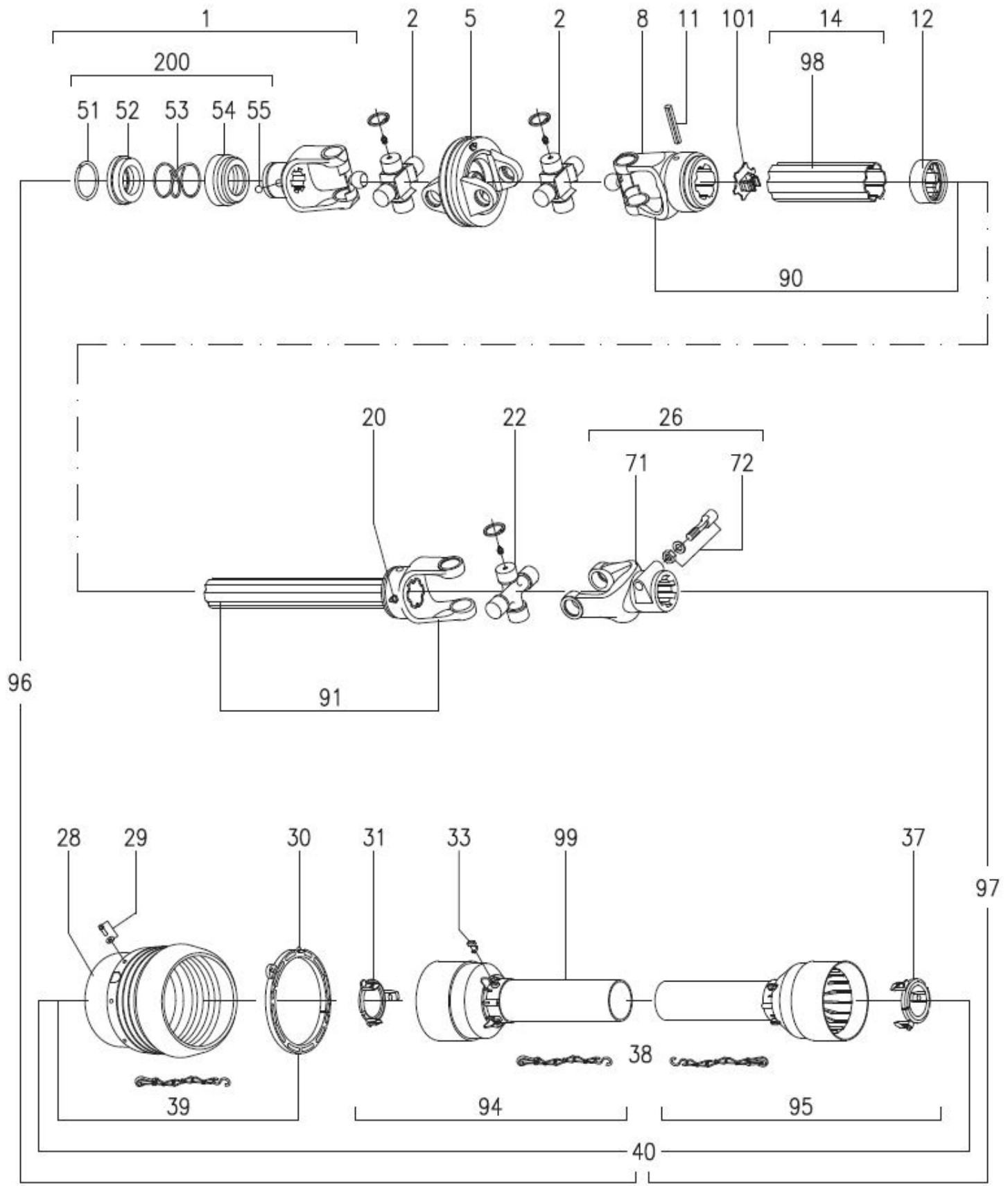
Specify Manure Spreader serial no. when ordering replacement parts.

ITEM	QTY	PART NUMBER	DESCRIPTION	NOTE
1	1	37881	Left Spinner Plate	
2	1	37902	Right Spinner Plate	
3	4	40310	Left Paddle	
4	4	40311	Right Paddle	
5	2	44927	Spinner Hub SRT18	Current
6	1	39843	Braced Spinner Hub	Original
7	1	40298	Braced Spinner Hub	Original
8	2	44941	Hub Washer	
9	16	HB1/2-13X2Z5	Hex Bolt 1/2-13x2 Grade 5 Zinc Plated Hex Cap Screw	
10	8	HB3/4-10X3.5Z5	Hex Bolt 3/4-10x3 1/2 Grade 5 Zinc Plated Hex Cap Screw	
11	40	LN1/2-13NCZ5	LN 1/2-13 Zinc Plated Nylon Insert Lock Nut	
12	8	LN3/4-10NCZ5	LN 3/4-10 Zinc Plated Nylon Insert Lock Nut	
13	2	M14X45X2	Metric Bolt	
14	16	PB 1/2-13X1.5	Plow Bolts - 1/2-13 x 1 1/2 Flat Head Gr.5	

Intentionally Left Blank

Section 5 - PTOs

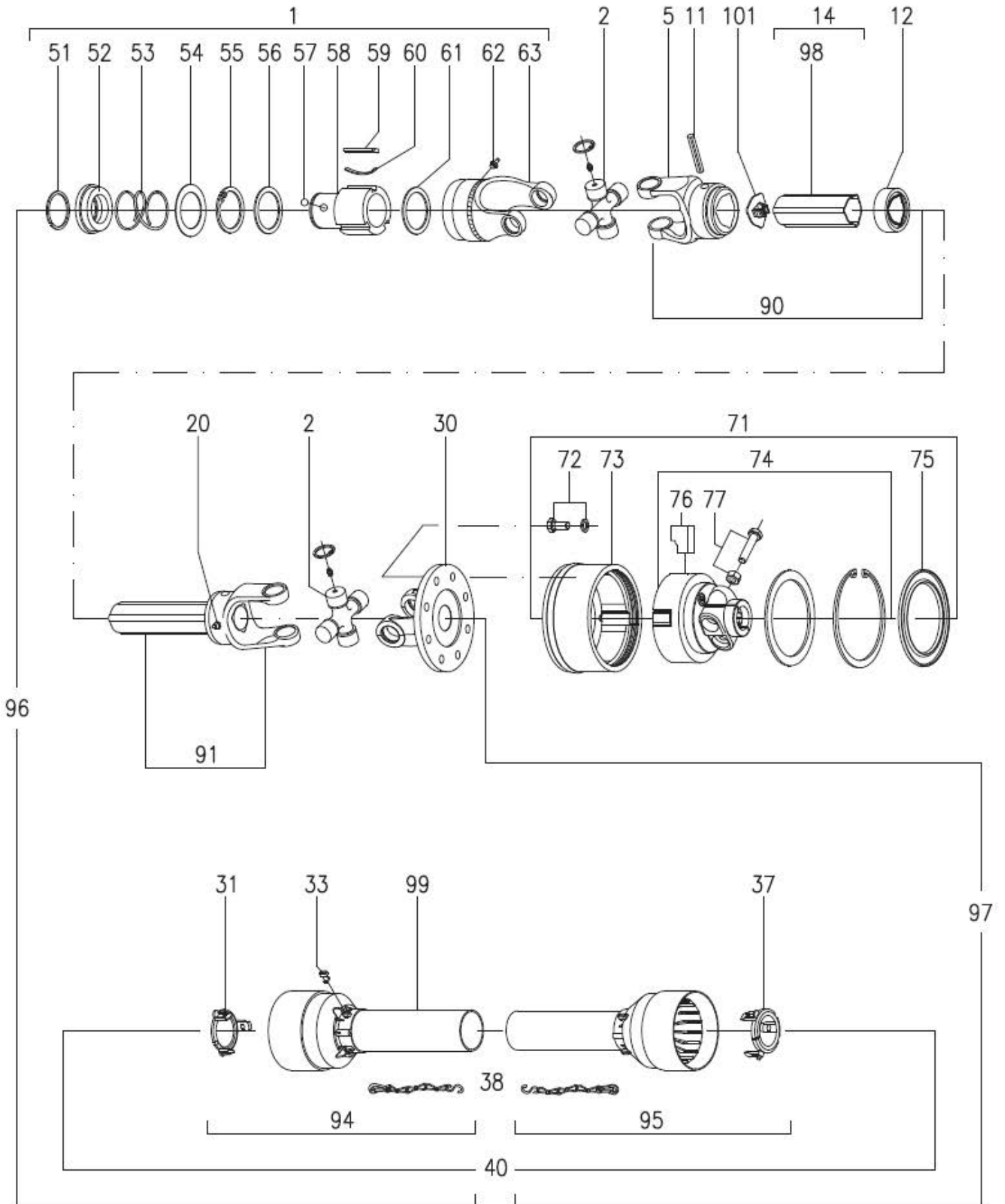
39850 - PTO. 375,450,525,600,750 (V80-141P028359-028028-CV80-CLS)



39850 - PTO. 375,450,525,600,750 (V80-141P028359-028028-CV80-CLS)

ITEM	QTY	PART NUMBER	DESCRIPTION
1	1	PTO141.028.359.1	Complete Collar yoke C03 for CV-Joint
2	2	PTO180.018.580	Cross Journal Set for CV-Joint
5	1	PTO141.028.157.1	Wide Angle Double Yoke
8	1	PTO141.028.248.1	Outer Yoke
11	1	PTO190.000.243	Roll Pin for Outer Tube
12	1	PTO180.018.437	Wiper
14	1	PTO152.280.566.0720	Complete Outer Tube
20	1	PTO180.017.411	Grease Nipple for Lube
22	1	PTO180.018.641	Cross Journal Set
26	1	PTO141.028.028.1	Complete Yoke 132
28	1	PTO180.018.582	Guard Cone for Wide Angle CV-Joint
29	6	PTO165.000.694	Screw Kit
30	1	PTO158.018.582	Bearing Ring
31	1	PTO180.018.251	Guard Retaining Collar for Outer Tube
33	3	PTO180.014.240	Bolt
37	1	PTO180.018.252	Guard Retaining Collar for Inner Tube
38	1	PTO180.016.790	Safety Chains
39	1	PTO165.000.801	Guard Cone Set
40	1	PTO142.981.078.2821	Complete Guard with Instruction Manual
51	1	PTO190.000.451	Outer Circlip
52	1	PTO151.016.486	Sliding Sleeve Collar
53	1	PTO180.016.487	Spring
54	1	PTO180.016.483	Fixed Sleeve
55	3	PTO190.000.078	Ball Ø 1/2"
71	1	PTO151.018.028.1	Yoke 132
72	1	PTO165.000.502	Tapered Pin Set 1" 3/8
90	1	PTO122.981.049.1	Female Tube with Yoke and Lube System
91	1	PTO122.580.526.1	Male Tube with Yoke and Lube System
94	1	PTO142.283.260.2821	Half Female Guarding with Label
95	1	PTO142.287.230.2821	Half Male Guarding
96	1	PTO199811410F05006	Half Female Shaft with Guarding
97	1	PTO123.486.358.01	Half Male Shaft with Guarding
98	1	PTO190.000.216	DANGER Label for Outer Tube
99	1	PTO190.000.215	DANGER Label for Outer Guard Tube
100	1	PTO190.000.371	Instruction Manual
101	1	PTO180.018.393	Plastic Cap for Outer Tube
200	1	PTO165.000.628	Kit Collar for Yoke 1 3/8"

39851 - PTO. 375,450,525,(T60-086P265011-306048-CLS(3500NM))



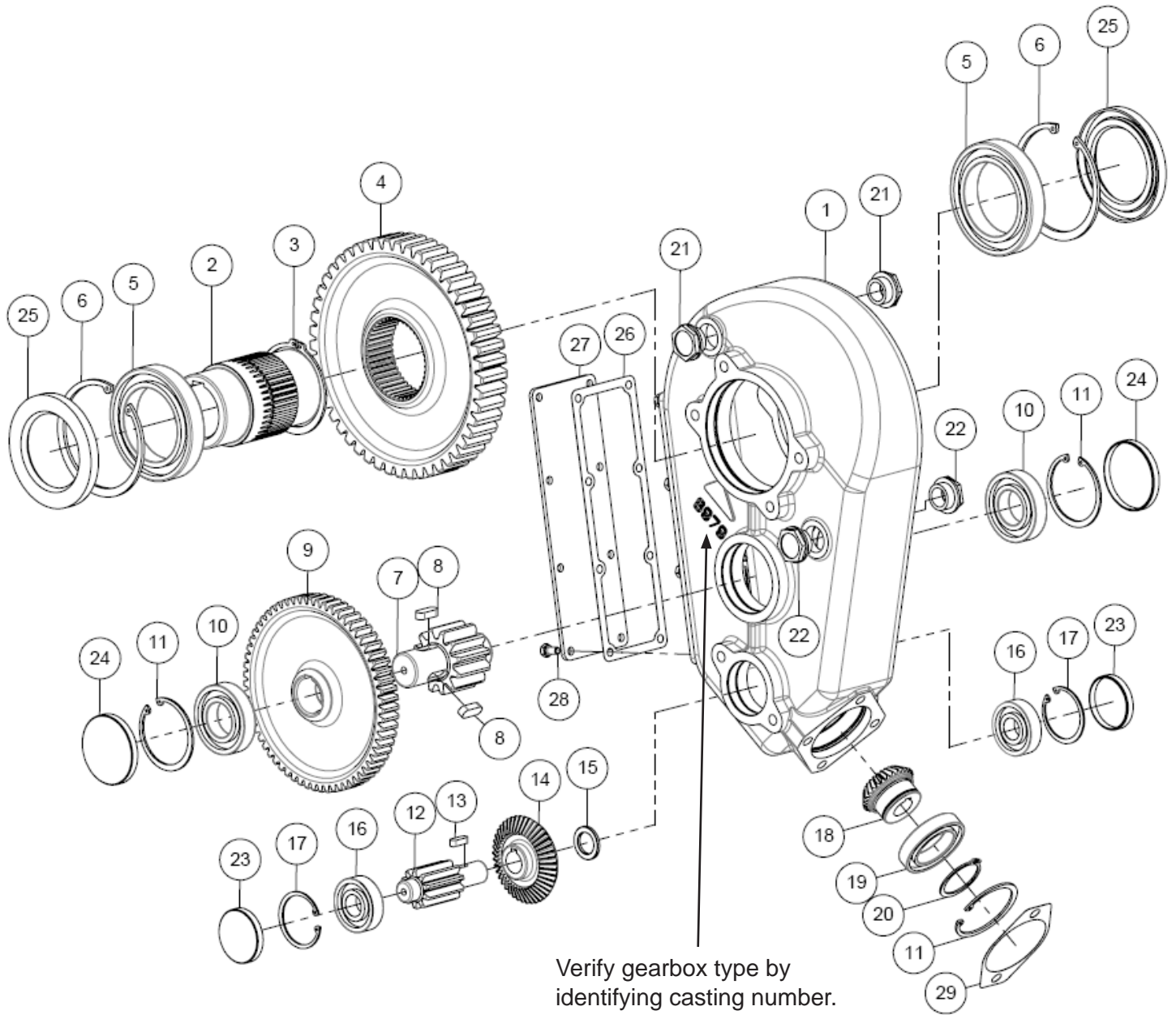
39851 - PTO. 375,450,525,(T60-086P265011-306048-CLS(3500NM))

ITEM	QTY	PART NUMBER	DESCRIPTION
1	1	PTO145.265.011.1	Complete Overrunningclutch R12
2	2	PTO180.016.780	Cross Journal Set
5	1	PTO151.016.028.1	Outer Yoke
11	1	PTO190.000.018	Roll Pin for Outer Tube
12	1	PTO180.016.572	Wiper
14	1	PTO152.160.435.0720	Complete Outer Tube
20	1	PTO180.017.411	Grease Nipple for Lube
30	1	PTO151.016.543.1	Flange FGL
31	1	PTO180.016.237	Guard Retaining Collar for Outer Tube
33	6	PTO180.014.240	Bolt
37	1	PTO180.016.238	Guard Retaining Collar for Inner Tube
38	2	PTO180.016.790	Safety Chains
40	1	PTO142.260.536.7621	Complete Guard for Instruction Manual
51	1	PTO190.000.451	Outer Circlip
52	1	PTO151.016.486	Sliding Sleeve Collar
53	1	PTO180.016.487	Spring
54	1	PTO180.015.143	Spring Push Ring
55	1	PTO190.000.183	Inner Circlip
56	1	PTO180.014.135	Retaining Washer
57	3	PTO190.000.078	Ball
58	1	PTO151.016.546	Hub R12 (1 3/8" Z6)
59	3	PTO151.014.136	Ratchet
60	3	PTO180.014.137	Leaf Spring
61	1	PTO190.000.199	Retaining Washer
62	1	PTO190.00.020	Grease Nipple M8x1
63	1	PTO141.026.210.1	Outer Casting with Yoke
71	1	PTO144.306.137.1	Automatic Torque Limiter (1 3/8" Z6)
72	8	PTO165.000.708	Special Screw M12x1.25x25 w/ Washers type "SCHNOOR"
73	1	PTO141.028.411.1	Outer Casing
74	1	PTO165.000.850	Complete Hub (2700Nm with Springs)
75	1	PTO180.018.400	Grease Retainer
76	4	PTO151.018.390	Ratchet
77	2	PTO165.000.752	Bolts M12x1.25x60 & Nuts
90	1	PTO122.360.088.1	Female Tube with Yoke and Lube System
91	1	PTO122.360.568.1	Male Tube with Yoke and Lube System
94	1	PTO142.266.311.7621	Half Female Guarding with Label
95	1	PTO142.267.286.7621	Half Male Guarding
96	1	PTO123.360.519.11	Half Female Shaft with Guarding
97	1	PTO123.460.1081.11	Half Male Shaft with Guarding
98	1	PTO190.000.216	DANGER Label for Outer Tube
99	1	PTO190.000.215	DANGER Label for Outer Guard Tube
100	1	PTO190.000.371	Instruction Manual
101	1	PTO180.016.468	Plastic Cap for Outer Tube

Intentionally Left Blank

Section 6 - Gearboxes

30842 - Apron Chain Gearbox

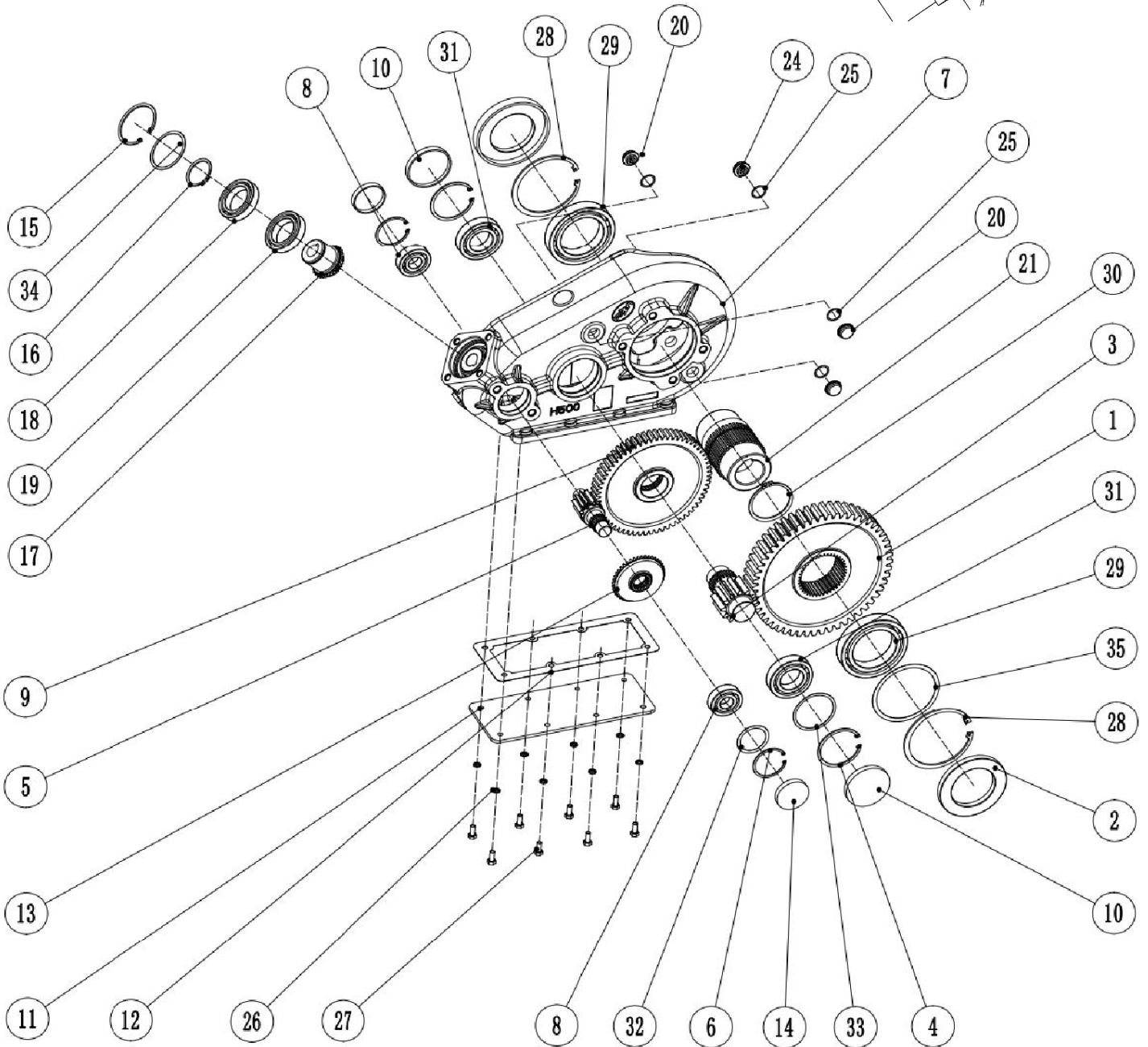
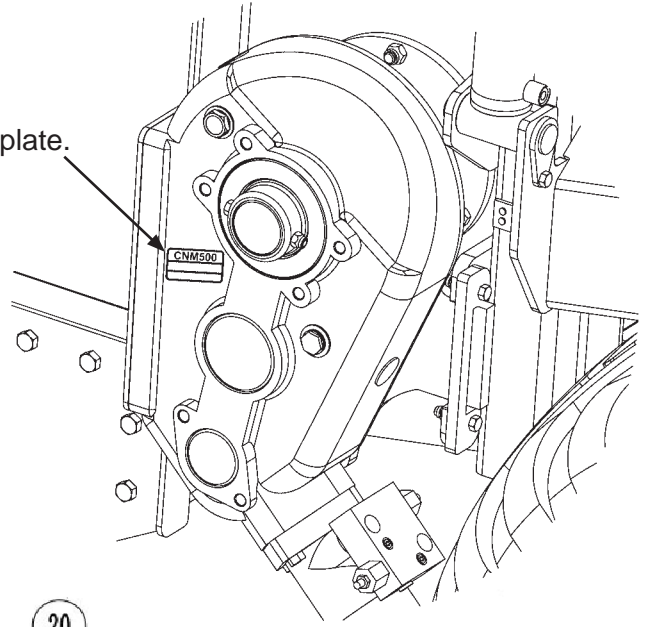


30842 - Apron Chain Gearbox

ITEM	QTY	PART NUMBER	DESCRIPTION
1	1	30842-08979	Box
2	1	30842-08995	Hub
3	1	30842-09066	Circlip
4	1	30842-08996	Gear
5	2	30842-09067	Ball Bearing
6	2	30842-09069	Circlip
7	1	30842-09009	Gear
8	2	30842-04174	Key
9	1	30842-09007	Gear
10	2	30842-10509	Ball Bearing
11	3	30842-03435	Circlip
12	1	30842-09008	Gear
13	1	30842-03396	Keystock
14	1	30842-8670-2	Gear
15	1	30842-09010	Spacer
16	2	30842-08596	Ball Bearing
17	2	30842-03433	Circlip
18	1	30842-8670-1	Gear
19	1	30842-01538	Ball Bearing
20	1	30842-03428	Circlip
21	2	30842-09175	Plug
22	2	30842-01831	Plug - Sight Glass
23	2	30842-08625	Seal
24	2	30842-08243	Seal
25	2	30842-09068	Seal
26	1	30842-09064	Gasket
27	1	30842-09065	Cover
28	8	30842-03284	Bolt
29	1	30842-08671	Gasket

49995 - Apron Chain Gearbox

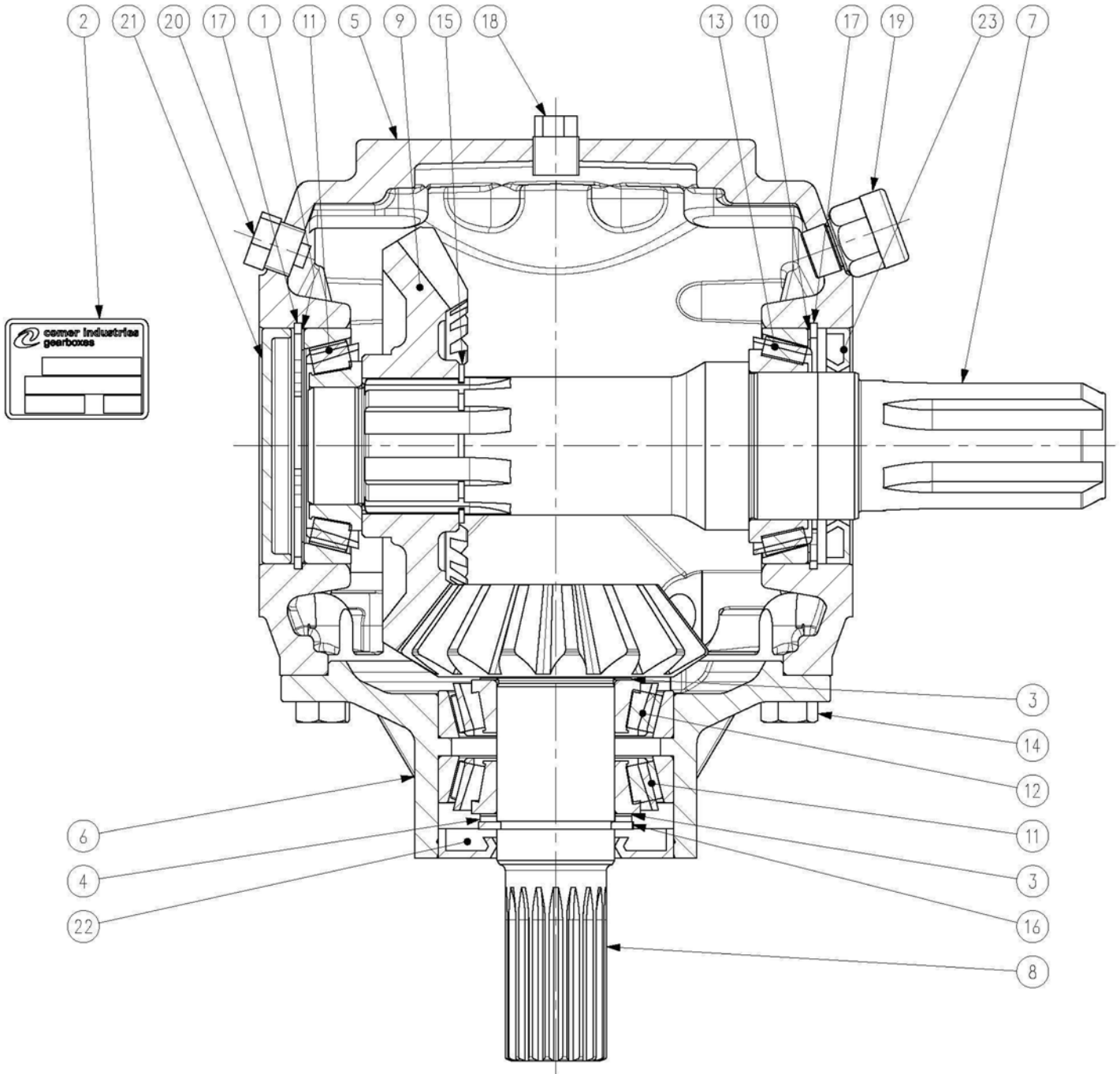
Verify gearbox brand by identifying tag plate.



49995 - Apron Chain Gearbox

ITEM	QTY	PART NUMBER	DESCRIPTION	NOTE
1	1	49995-01	Gear M5-54	
2	2	49995-02	Seal 130 85 12	
3	1	49995-03	Gearshaft	
4	2	49995-04	Circlips For DIN472 85	
5	1	49995-05	Gearshaft	
6	2	49995-06	Circlips For 62	
7	1	49995-07	Housing CNM500	
8	2	49995-08	Bearing 6305	
9	1	49995-09	Gear	
10	2	49995-10	Seal Cover 85 10	
11	1	49995-11	Cover	
12	1	49995-12	Seal Gasket	
13	1	49995-13	Bevel Gear	
14	2	49995-14	Seal Cover 62 10	
15	1	49995-15	Circlips 80	
16	1	49995-16	Circlips For Shaft 50	
17	1	49995-17	Bevel Gear	
18	1	49995-18	Bearing 6010-2RS1	
19	1	49995-19	Bearing 6010	
20	2	49995-20	Oil Level G3/4"	Items 20-25
21	1	49995-21	Shaft 60 Dia	
24	2	49995-24	Vent Plug G3/4"	
25	2	49995-25	Gasket 3/4"	
26	8	49995-26	Washer GB/T95 8	
27	8	49995-27	Hex Bolt M8x16	
28	2	49995-28	Circlips DIN472 130	
29	2	49995-29	Bearing 6017	
30	1	49995-30	Circlip For Shaft DIN471 95	
31	2	49995-31	Bearing 6209	
32		49995-32	Shim Kit 50x61.8x0.2/0.5/0.1	
33		49995-33	Spacer Tube 79.8x70x0.2/0.5	
34		49995-34	Spacer Tube 79.8x70x0.2/0.5	
35		49995-35	Bearing 6017	
		49996-RK	CNM500R Repair Kit	
		49996-SK	CNM500R Seal Kit	

30847-2 - 1 3/4" Spline Shaft Gearbox (9.278.760.00)

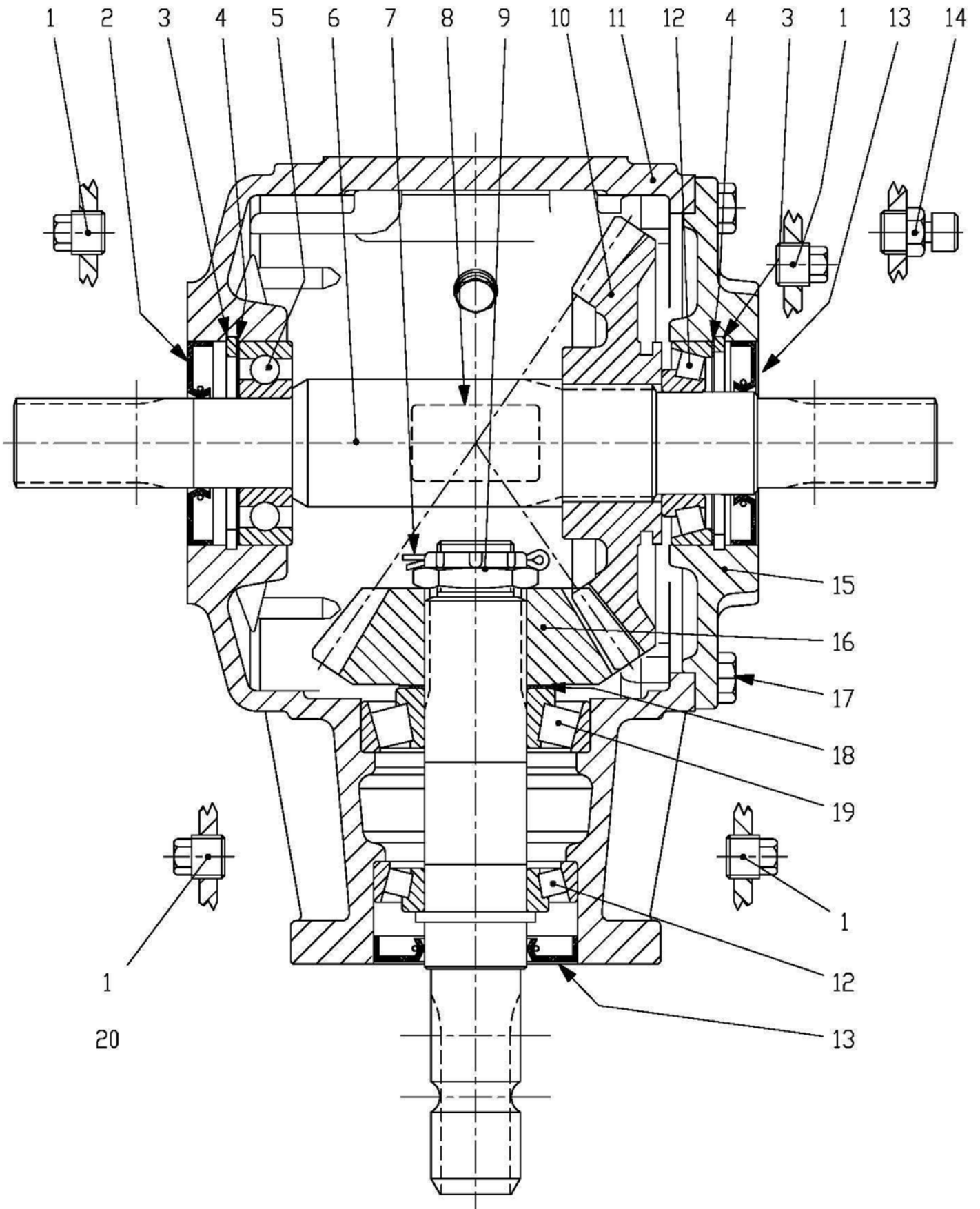


30847-2 - 1 3/4" Spline Shaft Gearbox (9.278.760.00)

ITEM	QTY	PART NUMBER	DESCRIPTION
1	1	0.110.7500.00	Shim 65.3 X 79.7
2	1	0.124.7101.00	Plate "Comer"
3	2	0.244.7500.00	Shim Kit 40.3x51.5
4	1	0.244.7520.00	Shim 40.3x2.0
5	1	0.278.0304.00	Casing
6	1	0.278.1354.00	Extension
7	1	0.278.2218.00	Shaft 1"3/4 Z6
8	1	0.278.5240.00	Pinion Shaft Z15 M6.2
9	1	0.278.6004.00	Crown Wheel Z24 M6.2
10	1	0.660.7500.00	Shim 79.9
11	2	8.0.9.00024	Bearing 30208
12	1	8.0.9.01060	Bearing 30208
13	1	8.0.9.01241	Bearing 32010 X
14	8	8.1.1.00061	Bolt HH M10x25 UNI5739 8.8
15	1	8.5.1.00260	Snap Ring 46 UNI7435
16	1	8.5.1.00680	Snap Ring Shaft D40 UNI7436
17	2	8.5.2.00030	Snap Ring Hole D80 UNI7437
18	1	8.6.5.00006	Plug External 3/8" Gas
19	1	8.6.7.00161	Breather Plug 3/8" Gas
20	1	8.6.8.01975	Magnetic Plug 3/8" Gas
21	1	8.7.0.00790	Cap 80x10
22	1	8.7.3.00027	Oil Seal 40x80x10
23	1	8.7.3.02599	Dust Lip

NOTE: Order Part No. 45442 (Includes Items 7,13,23 and 43409) to update gearbox 30847 (1-3/8" Keywayed Gearbox), or 30847-1 (1-3/8" Spline Shaft Gearbox).

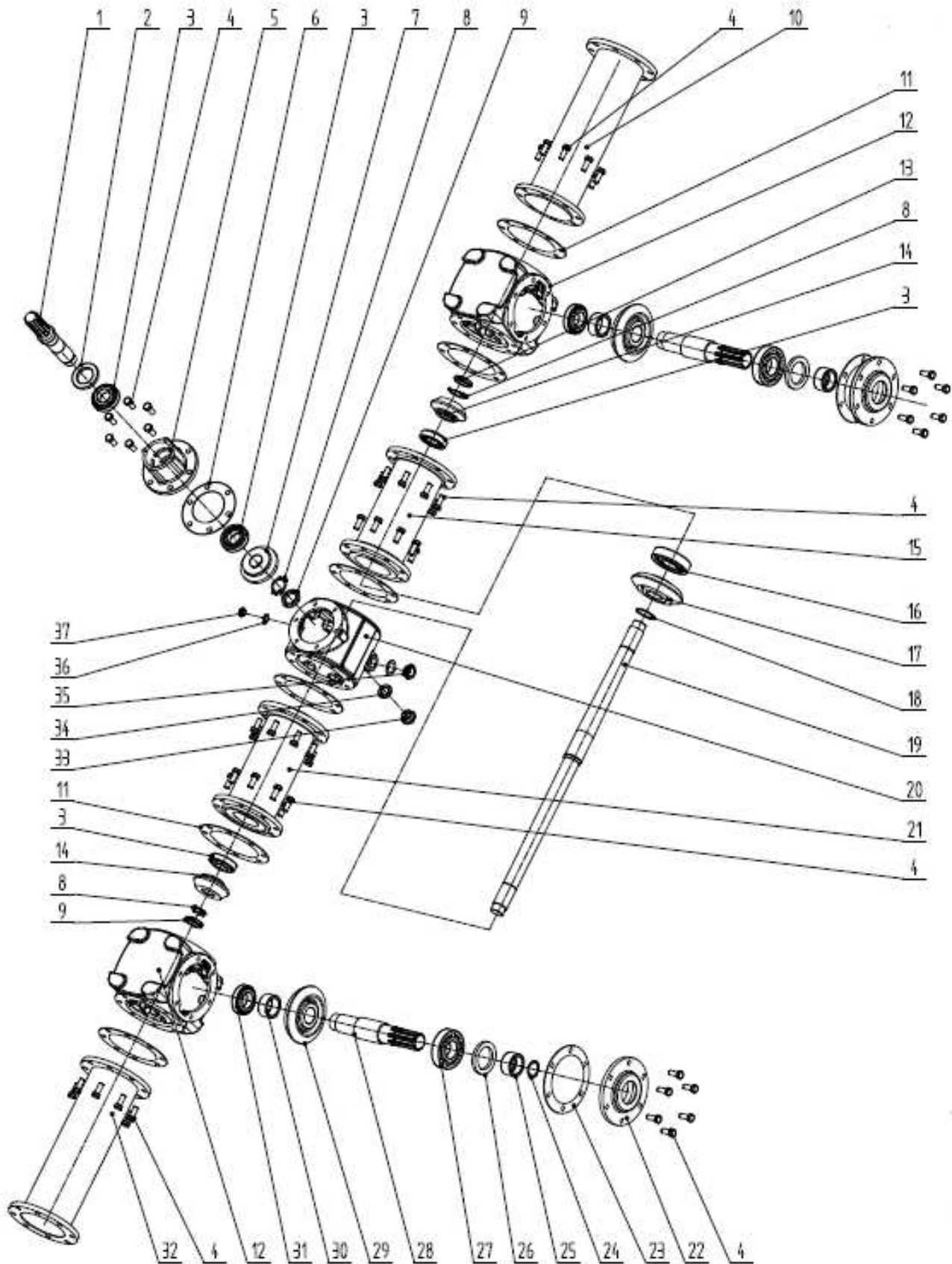
30848 - Centre Gearbox (9.290.621.00)



30848 - Centre Gearbox (9.290.621.00)

ITEM	QTY	PART NUMBER	DESCRIPTION
1	4	8.6.5.00006	Plug 3/8" Gas
2	1	8.7.3.00081	Oil Seal 35x80x10
3	2	8.5.2.01370	Snap Ring 80 UNI7438
4	2	0.267.7500.00	Shim 79.9
5	1	8.0.1.00049	Ball Bearing 6307
6	1	0.290.3216.00	Shaft 35x31 DIN 5482
7	1	8.4.7.01111	Cotter Pin B4x55
8	1	0.124.7101.00	Plate
9	1	0.132.7106.00	Nut M30x1.5
10	1	0.272.5001.00	Crown Wheel Z28 M6.22
11	1	0.290.0308.00	Casing
12	2	8.0.9.00024	Bearing 30208
13	2	8.7.3.00027	Oil Seal 40x80x10
14	1	8.6.7.00161	Oil Filler Plug 3/8" Gas
15	1	0.290.1367.00	Cover
16	1	0.272.6001.00	Pinion Z19 M6.22
17	8	8.1.1.00061	Bolt M10x25 8.8
18	1	0.244.7500.00	Shim Kit 40.3x51.5
19	1	8.0.9.00128	Bearing 30308
20	1	0.290.2001.00	Shaft












49188 - One Piece Beater Gearbox - SN 22NRS376-3100 & 23NRS371 - Current



49188 - One Piece Beater Gearbox - SN 22NRS376-3100 & 23NRS371 - Current

ITEM	QTY	PART NUMBER	DESCRIPTION
1	1	49188-01	Input Shaft
2	1	49188-02	Seal 55mmx85mmx10mm
3	4	49188-03	Bearing 32209
4	70	49188-04	Hex Bolt M14x35
5	1	49188-05	Flange
6	1	49188-06	Paper Spacer
7	1	49188-07	Gear M7-17
8	3	49188-08	Toothlock Washer
9	2	49188-09	Slotted Round Nuts LH
10	1	49188-10	Supporting Tube - Right
11	6	49188-11	Paper Spacer
12	2	49188-12	Side Housing
13	1	49188-13	Slotted Round Nuts LH
14	2	49188-14	Gear M8-13
15	1	49188-15	Supporting Tube - Right
16	1	49188-16	Bearing 6311
17	1	49188-17	Gear M7-124
18	1	49188-18	Circlips for 55mm Shafts
19	1	49188-19	Spline Shaft
20	1	49188-20	Middle Housing
21	1	49188-21	Supporting Tube - Left
22	2	49188-22	Bearing Support
23	2	49188-23	Paper Spacer
24	2	49188-24	O ring
25	2	49188-25	Bushing
26	2	49188-26	Seal 70mmx100mmx10mm
27	2	49188-27	Bearing 6311-2RS1
28	2	49188-28	Output Spline Shaft
29	2	49188-29	Gear M8-Z22
30	2	49188-30	Bushing
31	2	49188-31	Bearing 32210
32	1	49188-32	Supporting Tube - Left
33	1	49188-33	Level Plug G1
34	1	49188-34	Washer G1
35	1	49188-35	Oil Plug G1
36	1	49188-36	Washer G1/2
37	1	49188-37	Oil Plug G1/2
		49188-RK	Repair Kit

Torque Value Chart - Imperial

SAE Grade and Head Markings	1 or 2 ^b	5	5.1	5.2	8	8.2
	NO MARK 					
SAE Grade and Nut Markings	2	5		8		
	NO MARK 					

Size	Grade 1				Grade 2 ^b				Grade 5, 5.1, or 5.2				Grade 8 or 8.2			
	Lubricated ^a		Dry ^a		Lubricated ^a		Dry ^a		Lubricated ^a		Dry ^a		Lubricated ^a		Dry ^a	
	N-m	lb-ft	N-m	lb-ft	N-m	lb-ft	N-m	lb-ft	N-m	lb-ft	N-m	lb-ft	N-m	lb-ft	N-m	lb-ft
1/4	3.7	2.8	4.7	3.5	6	4.5	7.5	5.5	9.5	7	12	9	13.5	10	17	12.5
5/16	7.7	5.5	10	7	12	9	15	11	20	15	25	18	28	21	35	26
3/8	14	10	17	13	22	16	27	20	35	26	44	33	50	36	63	46
7/16	22	16	28	20	35	26	44	32	55	41	70	52	80	58	100	75
1/2	33	25	42	31	53	39	67	50	85	63	110	80	120	90	150	115
9/16	48	36	60	45	75	56	95	70	125	90	155	115	175	130	225	160
5/8	67	50	85	62	105	78	135	100	170	125	215	160	240	175	300	225
3/4	120	87	150	110	190	140	240	175	300	225	375	280	425	310	550	400
7/8	190	140	240	175	190	140	240	175	490	360	625	450	700	500	875	650
1	290	210	360	270	290	210	360	270	725	540	925	675	1050	750	1300	975
1-1/8	400	300	510	375	400	300	510	375	900	675	1150	850	1450	1075	1850	1350
1-1/4	570	425	725	530	570	425	725	530	1300	950	1650	1200	2050	1500	2600	1950
1-3/8	750	550	950	700	750	550	950	700	1700	1250	2150	1550	2700	2000	3400	2550
1-1/2	1000	725	1250	925	990	725	1250	930	2250	1650	2850	2100	3600	2650	4550	3350

DO NOT use these values if a different torque value or tightening procedure is given for a specific application. Torque values listed are for general use only. Check tightness of fasteners periodically.

Shear bolts are designed to fail under predetermined loads. Always replace shear bolts with identical grade.

Fasteners should be replaced with the same or higher grade. If higher grade fasteners are used, these should only be tightened to the strength of the original.

Make sure fasteners threads are clean and that you properly start thread engagement. This will prevent

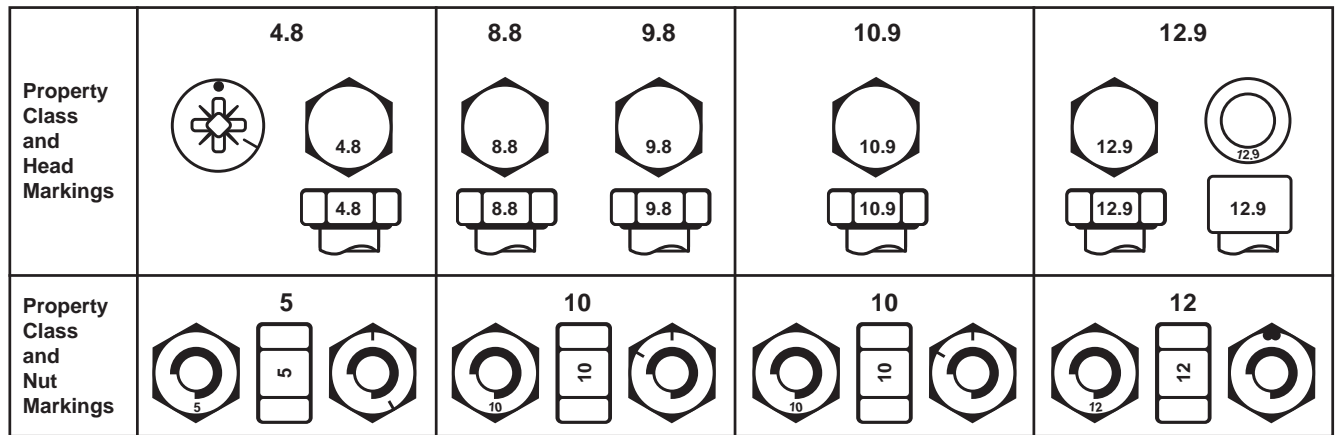
them from failing when tightening.

Tighten plastic insert or crimped steel-type lock nuts to approximately 50 percent of the dry torque shown in the chart, applied to the nut, not to the bolt head. Tighten toothed or serrated-type lock nuts to the full torque value.

^a "Lubricated" means coated with a lubricant such as engine oil, or fasteners with phosphate and oil coatings. "Dry" means plain or zinc plated without any lubrication.

^b Grade 2 applies for hex cap screws (not hex bolts) up to 152 mm (6-in.) long. Grade 1 applies for hex cap screws over 152 mm (6-in.) long, and for all other types of bolts and screws of any length.

Torque Value Chart - Metric



Size	Class 4.8				Class 8.8 or 9.8				Class 10.9				Class 12.9			
	Lubricated ^a		Dry ^a		Lubricated ^a		Dry ^a		Lubricated ^a		Dry ^a		Lubricated ^a		Dry ^a	
	N-m	lb-ft	N-m	lb-ft	N-m	lb-ft	N-m	lb-ft	N-m	lb-ft	N-m	lb-ft	N-m	lb-ft	N-m	lb-ft
M6	4.8	3.5	6	4.5	9	6.5	11	8.5	13	9.5	17	12	15	11.5	19	14.5
M8	12	8.5	15	11	22	16	28	20	32	24	40	30	37	28	47	35
M10	23	17	29	21	43	32	55	40	63	47	80	60	75	55	95	70
M12	40	29	50	37	75	55	95	70	110	80	140	105	130	95	165	120
M14	63	47	80	60	120	88	150	110	175	130	225	165	205	150	260	190
M16	100	73	125	92	190	140	240	175	275	200	350	255	320	240	400	300
M18	135	100	175	125	260	195	330	250	375	275	475	350	440	325	560	410
M20	190	140	240	180	375	275	475	350	530	400	675	500	625	460	800	580
M22	260	190	330	250	510	375	650	475	725	540	925	675	850	625	1075	800
M24	330	250	425	310	650	475	825	600	925	675	1150	850	1075	800	1350	1000
M27	490	360	625	450	950	700	1200	875	1350	1000	1700	1250	1600	1150	2000	1500
M30	675	490	850	625	1300	950	1650	1200	1850	1350	2300	1700	2150	1600	2700	2000
M33	900	675	1150	850	1750	1300	2200	1650	2500	1850	3150	2350	2900	2150	3700	2750
M36	1150	850	1450	1075	2250	1650	2850	2100	3200	2350	4050	3000	3750	2750	4750	3500

DO NOT use these values if a different torque value or tightening procedure is given for a specific application. Torque values listed are for general use only. Check tightness of fasteners periodically.

Shear bolts are designed to fail under predetermined loads. Always replace shear bolts with identical property class.

Fasteners should be replaced with the same or higher property class. If higher property class fasteners are used, these should only be tightened to the strength of the original.

Make sure fasteners threads are clean and that you

properly start thread engagement. This will prevent them from failing when tightening.

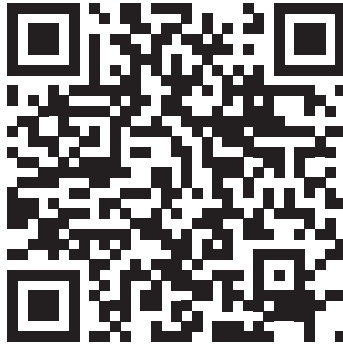
Tighten plastic insert or crimped steel-type lock nuts to approximately 50 percent of the dry torque shown in the chart, applied to the nut, not to the bolt head. Tighten toothed or serrated-type lock nuts to the full torque value.

a "Lubricated" means coated with a lubricant such as engine oil, or fasteners with phosphate and oil coatings. "Dry" means plain or zinc plated without any lubrication.

Index

450-106 - Beater Assembly - Up to SN 22NRS375 & 22NRS31001 - 23NRS370	2-12
30842 - Apron Chain Gearbox6-2
30847-2 - 1 3/4" Spline Shaft Gearbox (9.278.760.00)6-6
30848 - Centre Gearbox (9.290.621.00).6-8
39850 - PTO. 375,450,525,600,750 (V80-141P028359-028028-CV80-CLS)5-2
39851 - PTO. 375,450,525,(T60-086P265011-306048-CLS(3500NM)5-4
44700 - Beater Greaselines - SN 22NRS376-3100 & 23NRS371 - Current	2-18
49188 - One Piece Beater Gearbox - SN 22NRS376-3100 & 23NRS371 - Current	6-10
49270 - Beater Assembly - SN 22NRS376-3100 & 23NRS371 - Current.	2-16
49995 - Apron Chain Gearbox6-4
Apron Runners	2-26
Beater Gearbox - 1 3/4" 6-Spline - Up to SN 22NRS375 & 22NRS31001 - 23NRS370	2-14
Driveline2-8
Electric Flow Control Wiring	3-18
Endgate.	2-10
Endgate Indicator Kit - 45862	3-24
Flange Paddle Kit - 41504 - Up to SN 22NRS375 & 22NRS31001 - 23NRS370	3-22
Flange Paddle Kit - 47553 - SN 22NRS376-3100 & 23NRS371 - Current	3-23
Floor & Side Boards	2-19
Flow Control Hydraulic Layout - Electric (Current).	3-17
Flow Control Hydraulic Layout - Electric (Original)	3-16
Flow Control Hydraulic Layout - Manual.	3-15
Flow Control Mounting	3-14
Front Apron Drive.2-6
Front Components2-4
Hitch Options3-2
Hydraulic Layout	2-28
ISO Safety Decal Locations VI
ISO Safety Decals VII
Light Kit Wiring Harness3-6
Manuals II
Mechanical Light Kit - 436733-4
Model Decal Locations V
N575SB - Single Axle Brake Kit	3-20
N575TB - Tandem Axle Brake Kit	3-21
N750LC (GT400) / N750LCNT460 Scales	3-12
N750LCNT8000 Scales	3-13
Nitro Apron Chain Warranty II
Optional Kit Numbers3-1
Parts Manual II
Poultry Beaters - Beaters4-5
Poultry Beaters - Drivelines4-7
Poultry Beaters - Endgate4-3
Poultry Beaters - Frame.4-1

Poultry Beaters - Spinners 4-9
Rear Apron Drive	2-20
Safety Sign Locations	V
Section 2 - Parts Breakdowns & Lists 2-1
Section 3 - Optional Features 3-1
Section 4 - Option - Poultry Beaters 4-1
Section 5 - PTOs 5-1
Section 6 - Gearboxes 6-1
Serial Number	II
Silage Side Extensions - 49427	3-26
Single Axle	2-22
Single Axle - Scale Ready 3-8
Tandem Axle	2-24
Tandem Axle - Scale Ready	3-10
Tongue Components. 2-2
Torque Value Chart - Imperial VIII
Torque Value Chart - Metric IX
Warranty and Limitation of Liability	II



Scan with smartphone to
download latest manual.

TUBE•LINE™