

TUBE•LINE™

Tubeline Manufacturing Limited
6455 Reid Woods Drive RR #4
Elmira, Ontario, Canada N3B 2Z3

Email: sales@tubeline.ca

Fax: 519.669.5808

Tel: 519.669.9488

Toll-free (North America): 1.888.856.6613

www.tubeline.ca

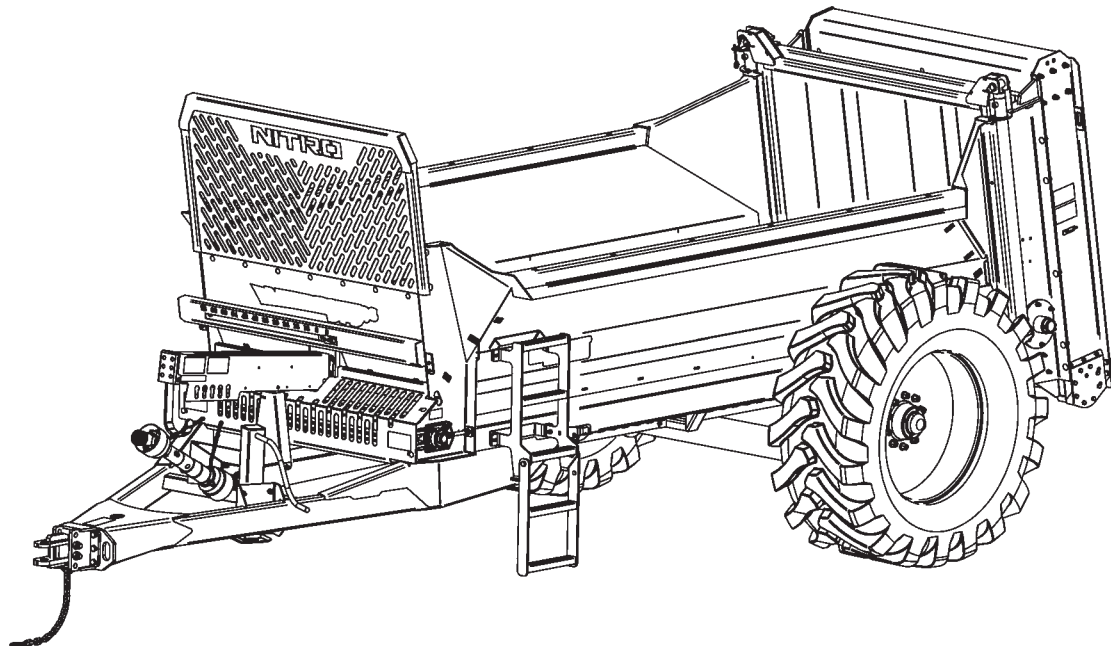
Parts Manual

Keep this manual with the machine at all times.

NITRO

Manure Spreader

Nitro 375RS



Parts Manual

Thank you for choosing the Tubeline 375RS Manure Spreader. Our hope is that it will give you many years of productive service. This machine is designed to wrap a continuous line of round bales in a film of plastic.

Warranty and Limitation of Liability

All equipment is sold subject to mutual agreement that it is warranted by the company to be free from defects of materials and workmanship. But the company shall not be liable for special, indirect or consequential, damages of any kind under this contract or otherwise. The company's liability shall be limited exclusively to replacing or repairing without charge, at its factory or elsewhere, at its discretion.

Any material, or workmanship defects which become apparent within one year from the date on which the equipment was purchased, and the company shall have no liability for damages of any kind. The buyer by the acceptance of the equipment will assume all liability for any damages, which may result from the use or misuse by his employees or others.

Nitro Apron Chain Warranty



Tubeline Manufacturing Ltd offers a limited lifetime non-transferable warranty to the original purchaser of a Nitro manure spreader. This warranty applies to chain link breakage and covers parts only. Should a connecting link fail, only it will be replaced. However, if a standard link breaks the complete chain will be provided. Freight and labor to install is the responsibility of the purchaser and is not covered under the terms of the limited warranty.

Tubeline Manufacturing Ltd reserves the right to request the return of the failed chain.

Warranty coverage is null and void unless Warranty Registration form has been completely filled in and is on file at Tubeline Manufacturing Ltd.

Manuals

Parts manuals are printed and shipped with machines as they leave the manufacturer. Your machine may include parts or features not yet included in the initially shipped manual. The latest manual version can be found at www.tubeline.ca/support. Tubeline reserves the right to update and change manuals as seen fit. Dealers are informed of any pressing changes/ modifications. They can help you with any questions regarding replacement parts.

Serial Number

The implement serial number is located above the front left apron drive bearing. This number helps us to track changes and improvements and must be mentioned when ordering parts or requesting service. For your convenience, a space has been provided inside the front cover of this manual to record the serial number, model number, purchase date, and dealer name.

Model No: _____ N375RS _____

Serial No: _____

Date Purchased: _____

Dealer Name: _____

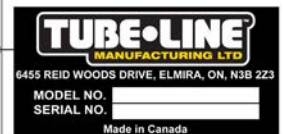
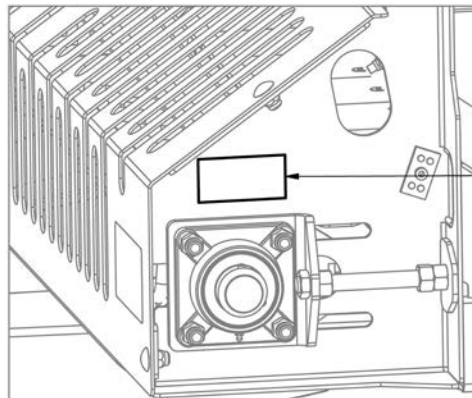


Table of Contents

Parts Manual	I
Warranty and Limitation of Liability	I
Nitro Apron Chain Warranty	I
Manuals	I
Serial Number	I
Safety Sign Locations	IV
Safety Decals	V
Safety Decals	VI
Model Decal Locations	VII
Model Decals	VIII
ISO Safety Decal Locations	IX
ISO Safety Decals	X
Section 2 - Parts Breakdowns & Lists	2-1
Front Components	2-2
Front Shields - Up to SN 16NS010	2-4
Front Shields- SN 16NS011 to Current	2-6
Front Apron Drive	2-8
Driveline - Up to SN 16NS010	2-10
Driveline - SN 16NS011 to Current	2-12
Side Shields - Up to SN 19NRS200	2-14
Endgate - Up to SN 20NRS249	2-16
Endgate - SN 21NRS201 to Current	2-18
Beaters (37590) - Up to SN 20NRS249	2-20
Beater Cross Beam (40684) - Up to SN 20NRS249	2-22
Optional Flange Paddle Kit (41504) - Up to SN 20NRS249	2-24
Beaters (46925) - SN 21NRS001 to Current	2-26
Beater Greaselines	2-28
Optional Flange Paddle Kit (47553) - SN 21NRS001 to Current	2-29
Rear Apron Drive	2-30
Floor & Side Boards	2-32
Single Axle	2-34
Tandem Axle - Up to SN 18NRS254	2-36
Tandem Axle - SN 19NRS200 to Current	2-38
Apron Runners	2-40
Hydraulic Layout	2-42
Section 3 - Optional Features	3-1
Optional Kit Numbers	3-1
Hitch Options	3-2
Mechanical Light Kit (43622) - SN 19NRS200 to Current	3-4
Mechanical Light Kit (43622) - Up to SN 18NRS254	3-6
Lights - Up to SN 18NRS244	3-8
Manual Light Kit - Up to SN 18NRS244	3-10
Hydraulic Light Kit - Up to SN 18NRS244	3-11
Light Kit Hydraulics - Up to SN 18NRS244	3-12
Light Kit Wiring Harness	3-14
N375SB - Single Axle Brake Kit	3-16
N375TB - Tandem Axle Brake Kit	3-17
N750LC (GT400) / N750LCNT460 Scales	3-18
N750LCNT8000 Scales	3-19
Flow Control Mounting	3-20
Manual Flow Control Hydraulic Layout	3-21

Electric Flow Control Hydraulic Layout - Original	3-22
Electric Flow Control Hydraulic Layout - Current.....	3-23
Electric Flow Control Wiring	3-24
Endgate Indicator - 45861	3-26
Section 4 - Option - Poultry Beaters	4-1
Poultry Beaters - Frame	4-1
Poultry Beaters - Endgate	4-3
Poultry Beaters - Beaters	4-5
Poultry Beaters - Drivelines.....	4-7
Poultry Beaters - Spinners.....	4-9
Section 5 - PTOs	5-1
30839 - PTO Shaft - Primary Shaft for Manure Spreader N375-N600	5-2
30840 - PTO Slip Clutch for Manure Spreader	5-4
30841 - PTO Slip Clutch for Manure Spreader	5-6
39850 - PTO. 375,450,525,600,750 (V80-141P028359-028028-CV80-CLS).....	5-8
39852 - PTO. 600, 750,275,725 (T60-086P265011-306028-CLS(2500NM).....	5-10
Section 6 - Gearboxes	6-1
34001 - Apron Chain Gearbox - Up to SN 22NRS274	6-2
49994 - CNM350 Apron Chain Gearbox - SN 23NRS201 - Current	6-4
30847-2 - 1 3/4" Spline Shaft Gearbox (9.278.760.00)	6-6
30848 - Centre Gearbox (9.290.621.00)	6-8
42409 - Beater Gearbox (251393).....	6-10
Torque Value Chart - Imperial	IX
Torque Value Chart - Metric	X

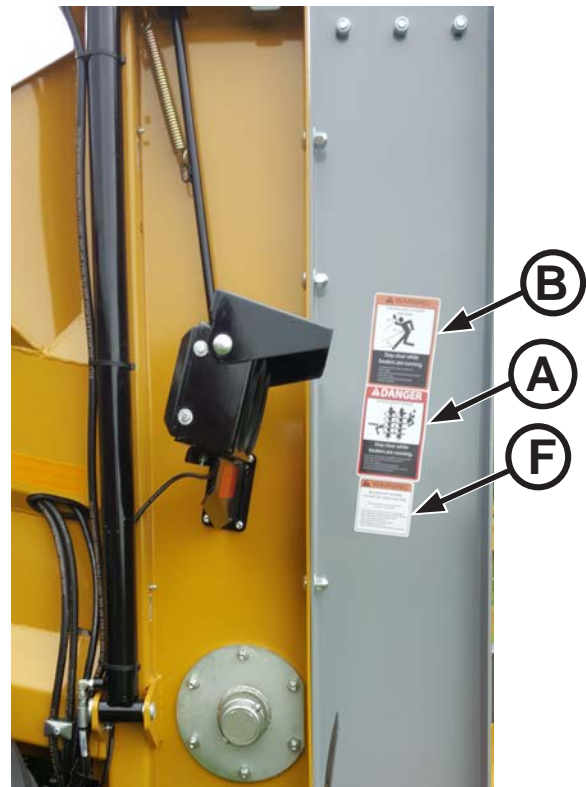
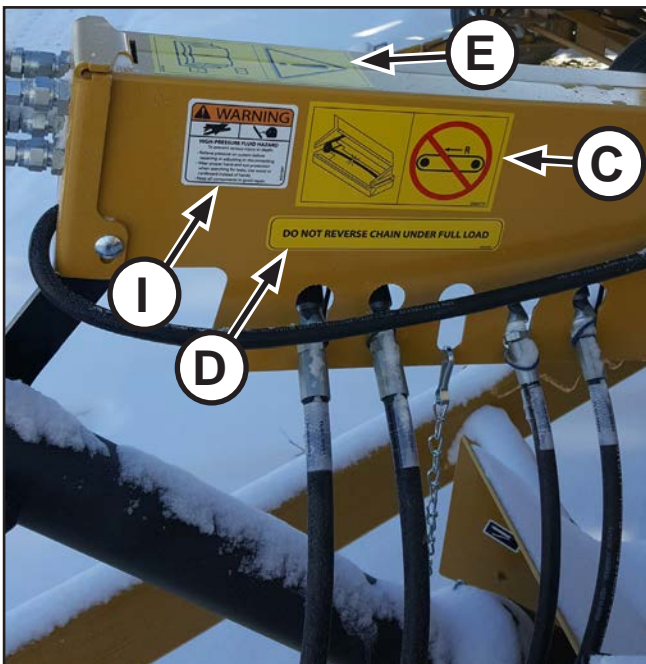
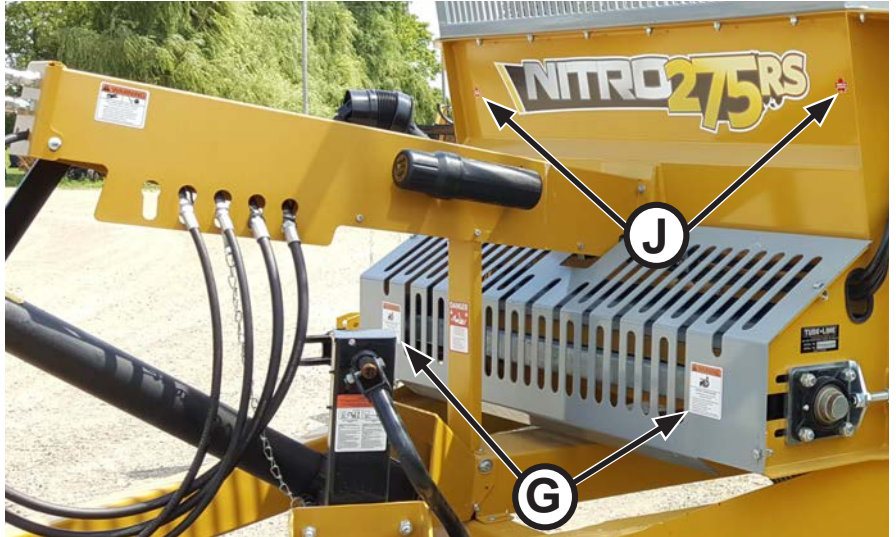
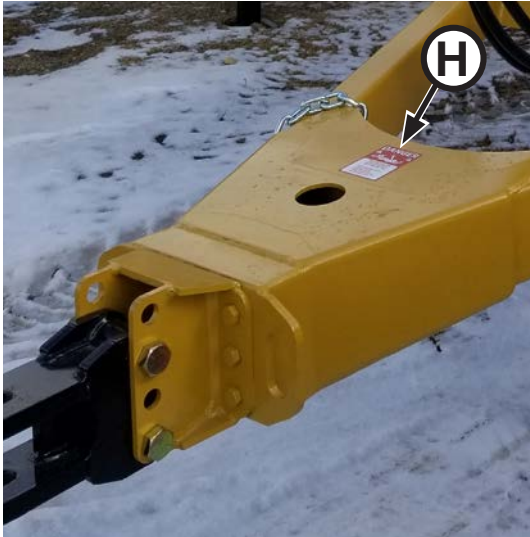
Safety Sign Locations

The types of safety signs and locations on the equipment are shown in the illustrations that follow. Good safety requires that you familiarize yourself with the various safety signs, the types of warning, and the area, or proper function related to that area, that requires your safety awareness.

Examples only - Actual decals may differ in text and graphic representation.

REMEMBER

If safety signs have been damaged, removed, become illegible or parts replaced without safety signs, new safety signs must be applied. New safety signs are available from your authorized dealer.



Safety Decals

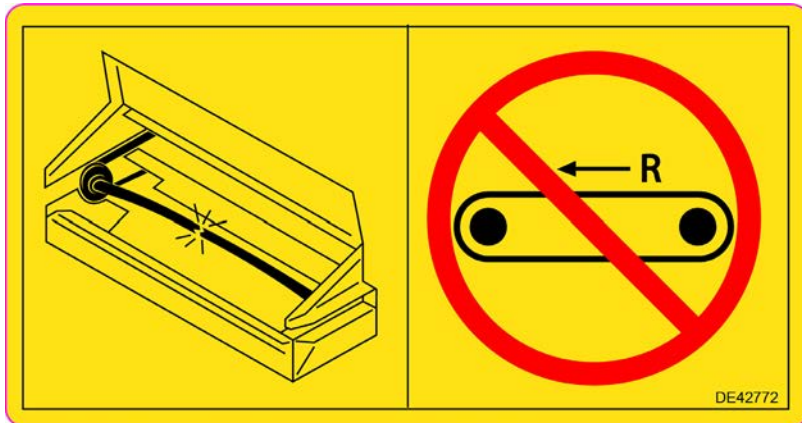
Item - A
Part No: DE39395



Item - B
Part No: DE39396



Item - C
Part No: DE42772
Reversing apron chain while spreader is fully loaded will cause front apron shaft breakage.



Item - E Part No: DE42784
See Operators Manual for decal explanation.



Item - D
Part No: DE42782 - Reversing apron chain while spreader is fully loaded will cause front apron shaft breakage.



Safety Decals

Item - F
Part No: DE23845



Item - G
Part No: DE23836



Item - H
Part No: DE39397



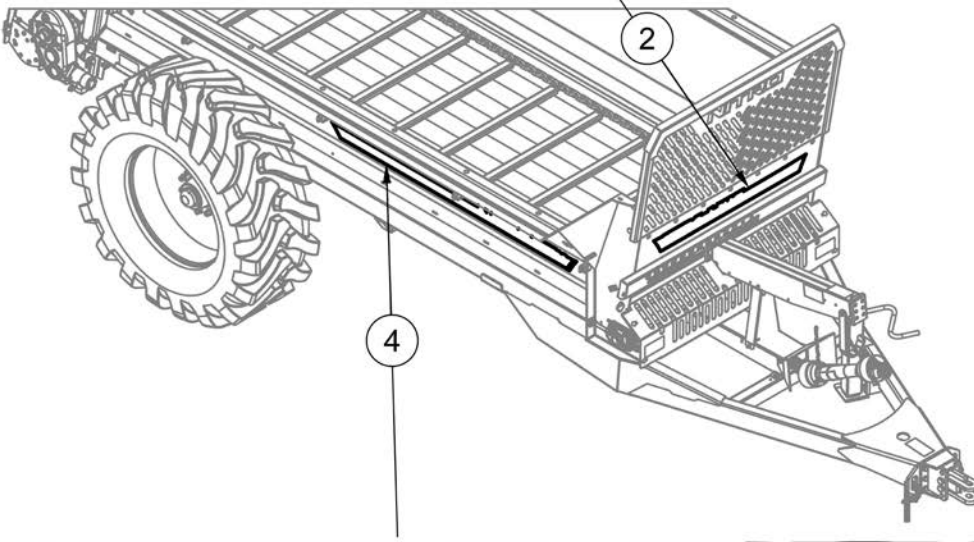
Item - I
Part No: DE23838



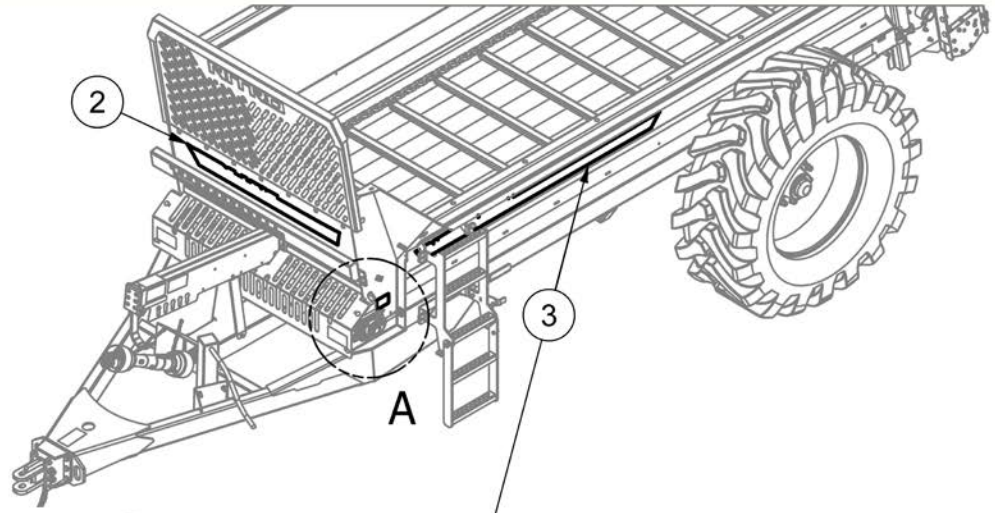
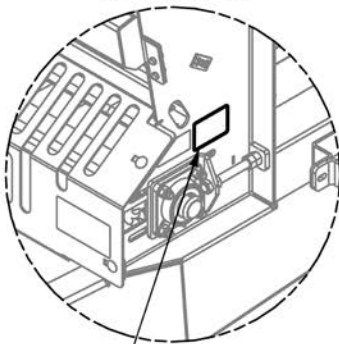
Item - J
Part No: DECANADA



Model Decal Locations



DETAIL A



ITEM	QTY	PART NUMBER	DESCRIPTION
1	1	DE50035	375RS QR Code Decal
2	1	DE43930	Nitro 375/525 Front Decal
3	1	DE43931	375RS Left Side Decal
4	1	DE43932	375RS Right Side Decal

Model Decals

Item 1: DE50035



Item 2: DE43930



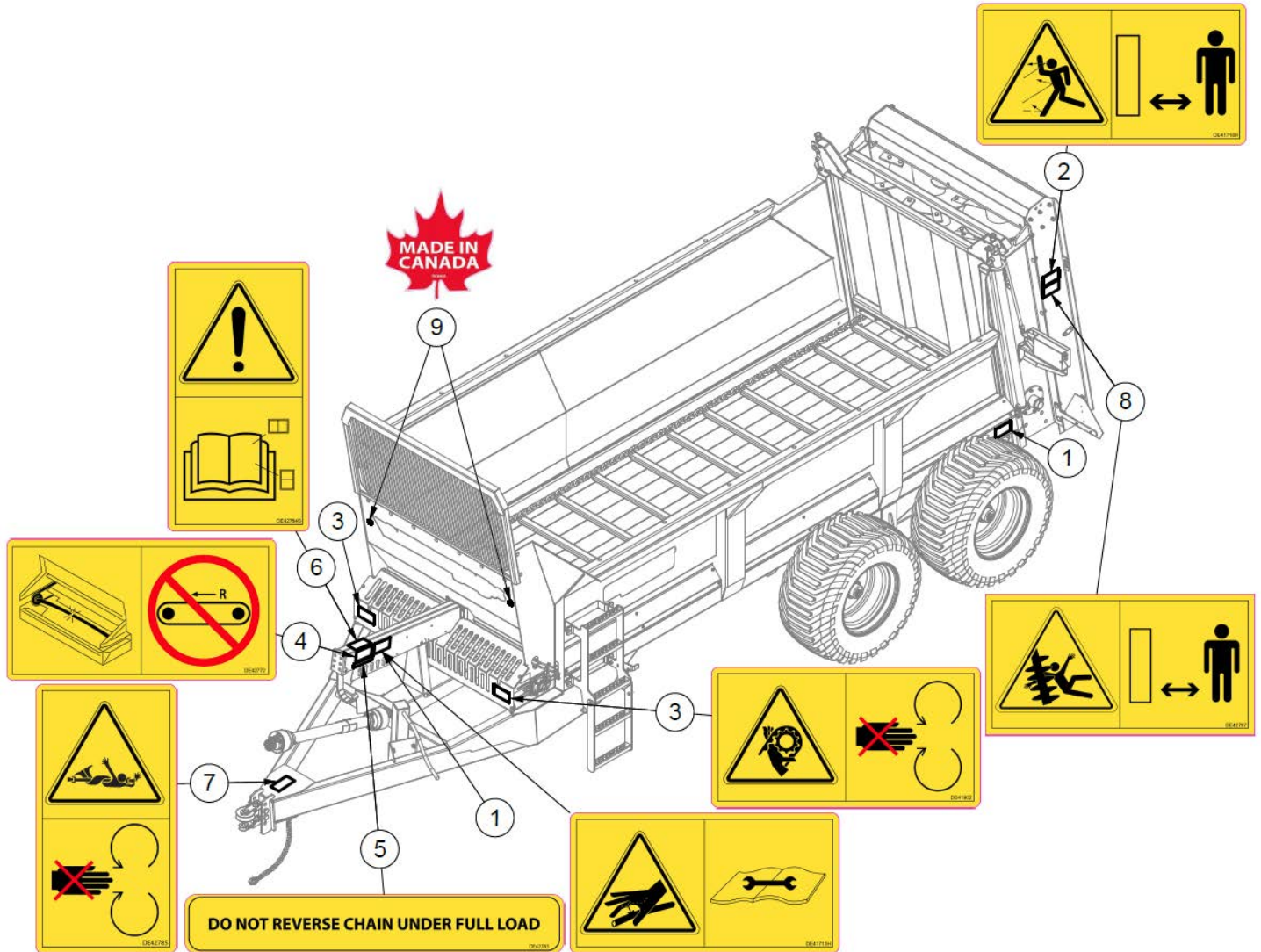
Item 3: DE43931



Item 4: DE43932



ISO Safety Decal Locations



ITEM	QTY	PART NUMBER	DESCRIPTION
1	6	DE41713H	ISO Decal - High Pressure Fluid Horizontal
2	2	DE41718H	ISO Decal - Thrown Object Horizontal
3	2	DE41902	ISO Decal - Chain Entanglement
4	1	DE42772	ISO Decal - Nitro Reverse Chain
5	1	DE42783	Nitro Reverse Chain Text Decal
6	1	DE42784	ISO Decal - Read OM Decals Section
7	1	DE42785	ISO Decal - PTO Entanglement
8	2	DE42787	ISO Decal - Nitro Beater Entanglement
9	2	DECANADA	Decal Made In Canada

ISO Safety Decals



Item 1: DE41713H

Do not use hand to check for hydraulic leaks, alternatively use a piece of cardboard.



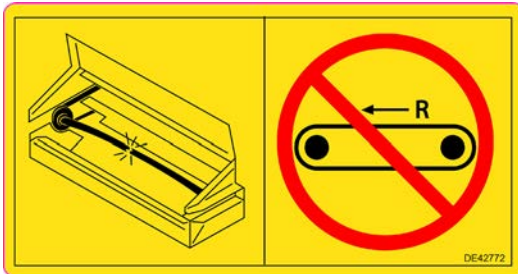
Item 2: DE41718H

Keep clear of machine while operating. Serious injury may occur.



Item 3: DE41902

Keep hands clear of rotating parts while machine running. Do not operate without shielding in place. Do not wear loose clothing while operating.



Item 4: DE42772

Reversing apron chain while spreader is fully loaded will cause front apron shaft breakage.



Item 5: DE42783



Item 6: DE42784

Read Operator's manual decal section to understand safety decals.



Item 7: DE42785

Do not use hand to check for hydraulic leaks, alternatively use a piece of cardboard.

Item 8: DE42787

Stand clear of rotating beaters to avoid entanglement. Serious injury or death hazard.



Item 9: DECANADA

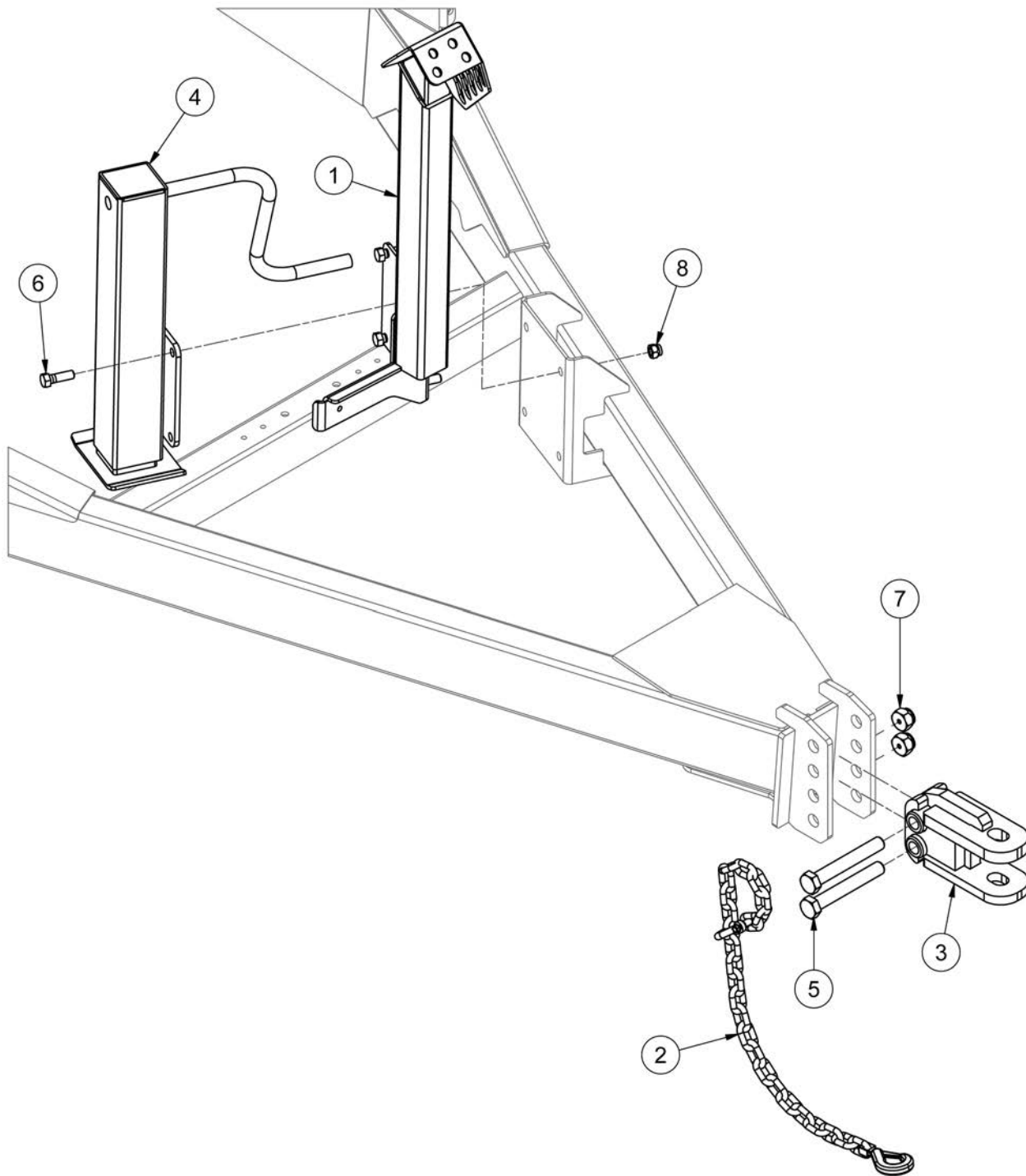
Manufacturer's country of origin.



Section 2 - Parts Breakdowns & Lists

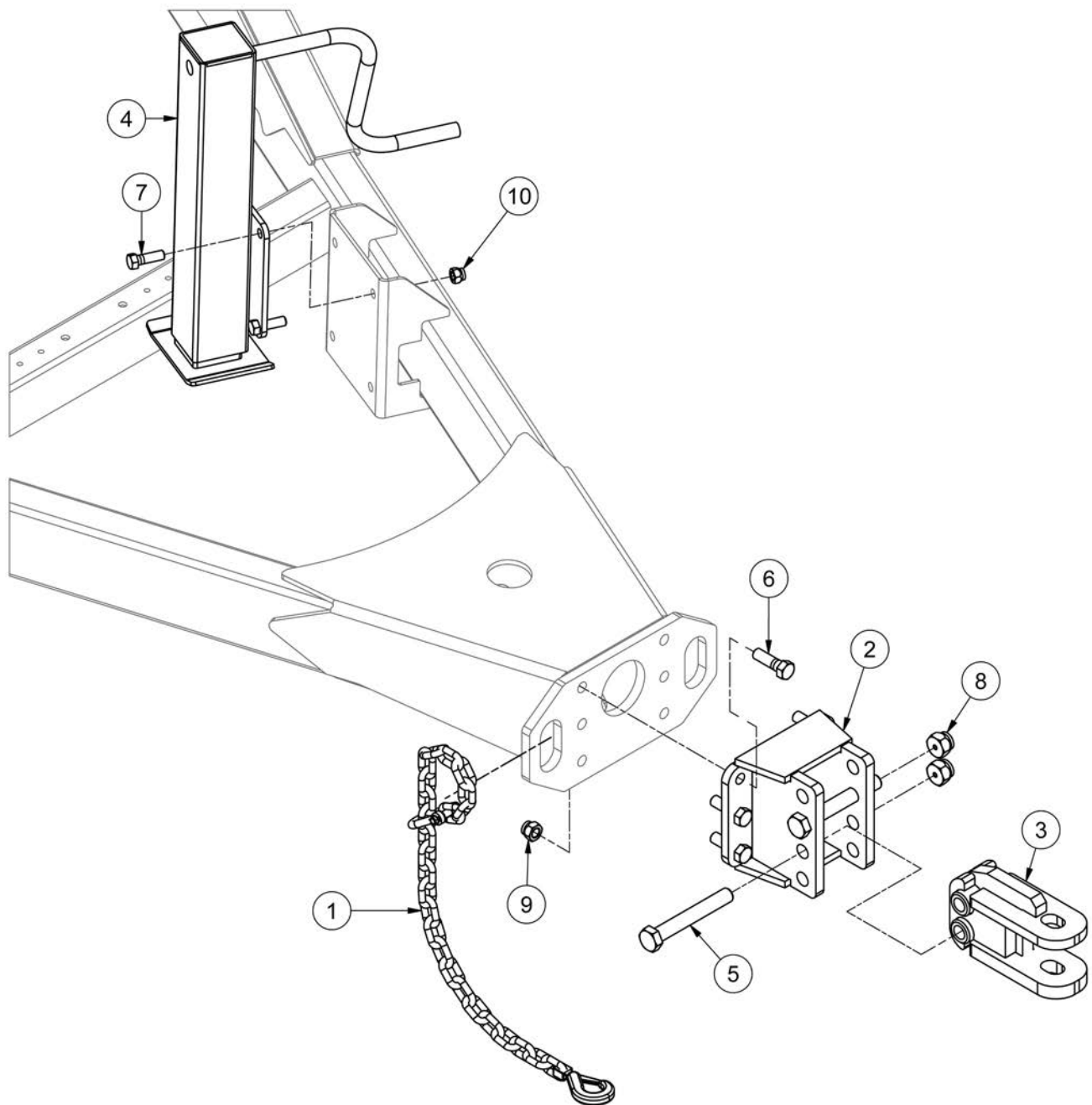
Actual parts may vary slightly from illustrations

Front Components



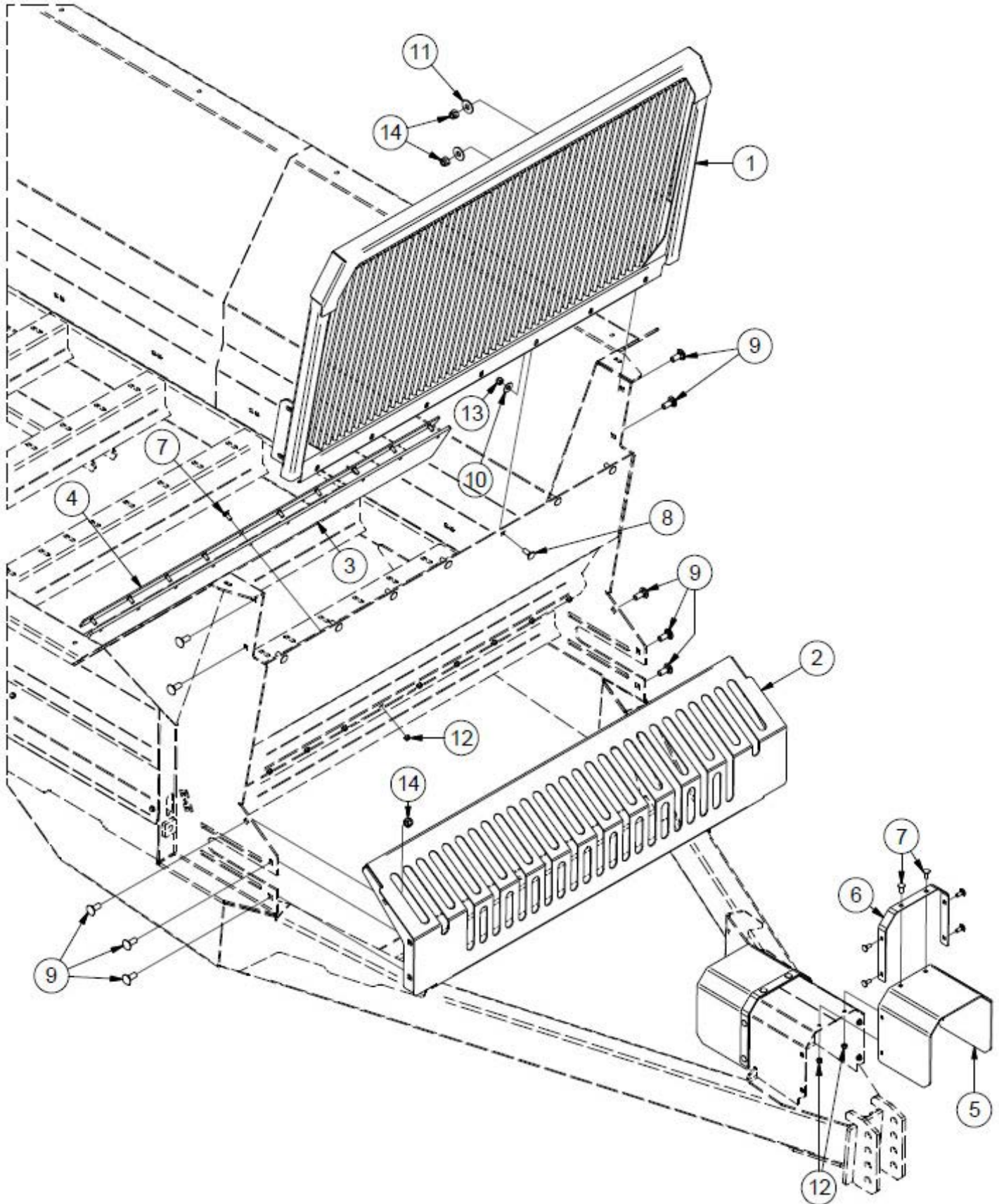
ITEM	QTY	PART NUMBER	DESCRIPTION	SERIAL BREAK
1	1	450-129	Hose Mount	Used until 16NS011
2	1	25262	Safety Chain 20000 # 60"	
3	1	40471	Clevis Hitch Weldment	Pg.3-2 for Options
4	1	BW-1005	Jack	
5	2	HB1-14X7YZ8	Hex Bolt 1-14x7 Grade 8 Zinc Hex Cap Screw	
6	4	HB5/8-11X2Z5	Hex Bolt 5/8-11x2 Grade 5 Zinc Plated Hex Cap Screw	
7	2	LN 1 F	Center Locknuts (1-14) 2-Way Fine Thread	
8	4	LN5/8-11NCZ5	LN 5/8-11 Zinc Plated Nylon Insert Lock Nut	

Front Components



ITEM	QTY	PART NUMBER	DESCRIPTION	NOTE
1	1	25262	Safety Chain 20000 # 60"	
2	1	35451	Pull Plate	
3	1	40471	Clevis Hitch Weldment	Pg.3-2 for Options
4	1	BW-1005	Jack	
5	2	HB1-14X7YZ8	Hex Bolt 1-14x7 Grade 8 Zinc Hex Cap Screw	
6	6	HB3/4-10X2.5Z5	Hex Bolt 3/4-10x2 1/2 Grade 5 Zinc Plated Hex Cap Screw	
7	4	HB5/8-11X2Z5	Hex Bolt 5/8-11x2 Grade 5 Zinc Plated Hex Cap Screw	
8	2	LN1-14NFZ5	Center Locknuts (1-14) 2-Way Fine Thread	
9	6	LN3/4-10NCZ5	LN 3/4-10 Zinc Plated Nylon Insert Lock Nut	
10	4	LN5/8-11NCZ5	LN 5/8-11 Zinc Plated Nylon Insert Lock Nut	

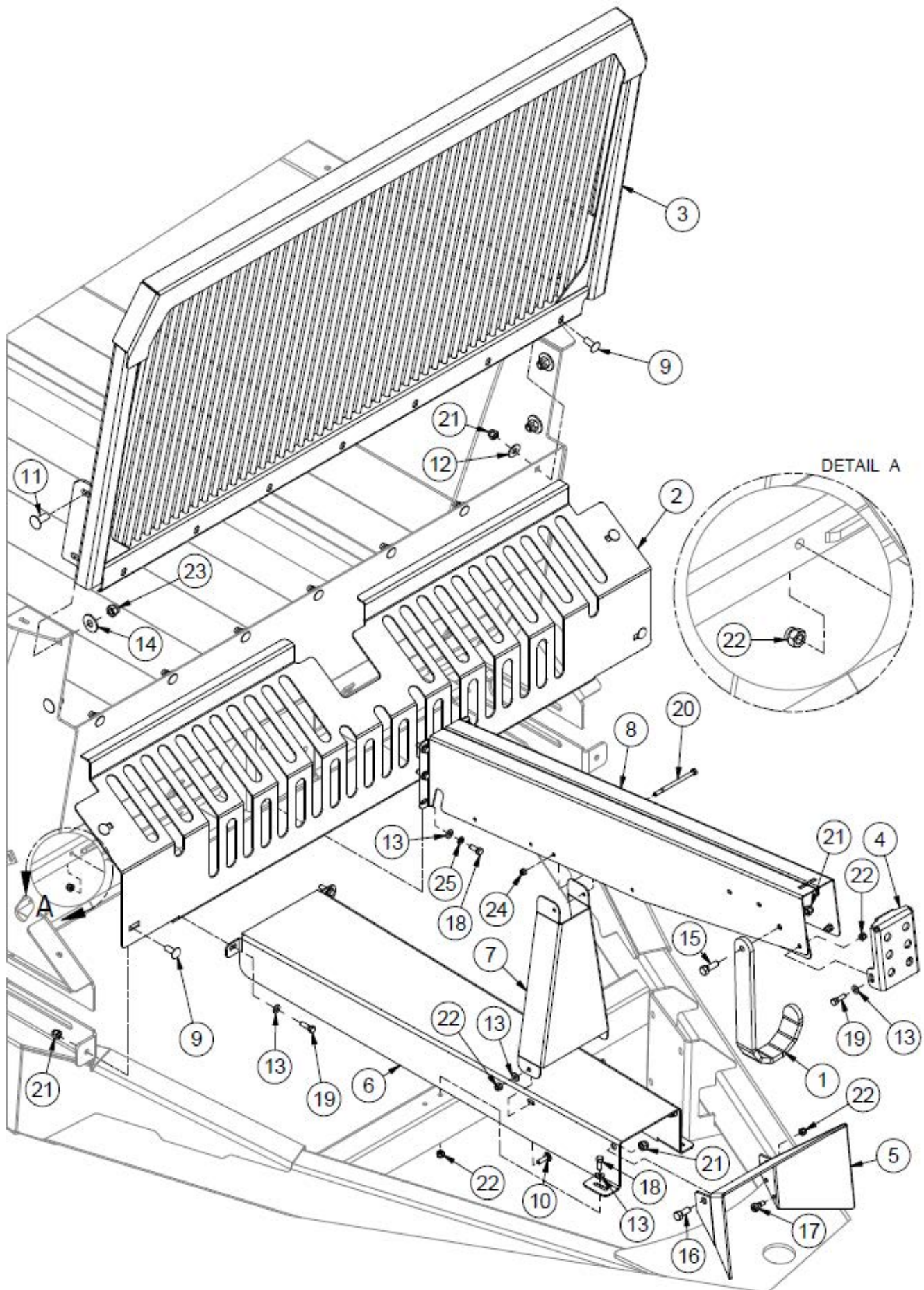
Front Shields - Up to SN 16NS010



Front Shields - Up to SN 16NS010

ITEM	QTY	PART NUMBER	DESCRIPTION
1	1	37195	Stone Guard
2	1	37196	Front Apron Shaft Guard
3	1	450-441	Rubber Seal
4	1	600-790	Rubber hold Down
5	2	600-819	Rubber PTO Shield
6	2	700-048	Front Shield Hold Down
7	22	CB 3/8-16X1.0 Z5	Carriage Bolt - 3/8-16 x 1" Grade 5 Zinc
8	7	CB 1/2-13X1.1/4 Z5	Carriage Bolt Zinc
9	10	CB 5/8-11X1.1/2 Z5	Carriage Bolt - 5/8-11 x 1-1/2" Grade 5 Zinc
10	7	FW 1/2	Flatwasher - 1/2" Zinc Plated USS
11	4	FW 5/8	Flatwasher - 5/8" Zinc Plated USS
12	22	LN 3/8 N	Locknuts - 3/8-16 Zinc Plated Nylon Insert Lock Nut
13	7	LN 1/2 N	Locknuts - 1/2-13 Zinc Plated Nylon Insert Lock Nut
14	10	LN 5/8 N	Locknuts - 5/8-11 Zinc Plated Nylon Insert Lock Nut

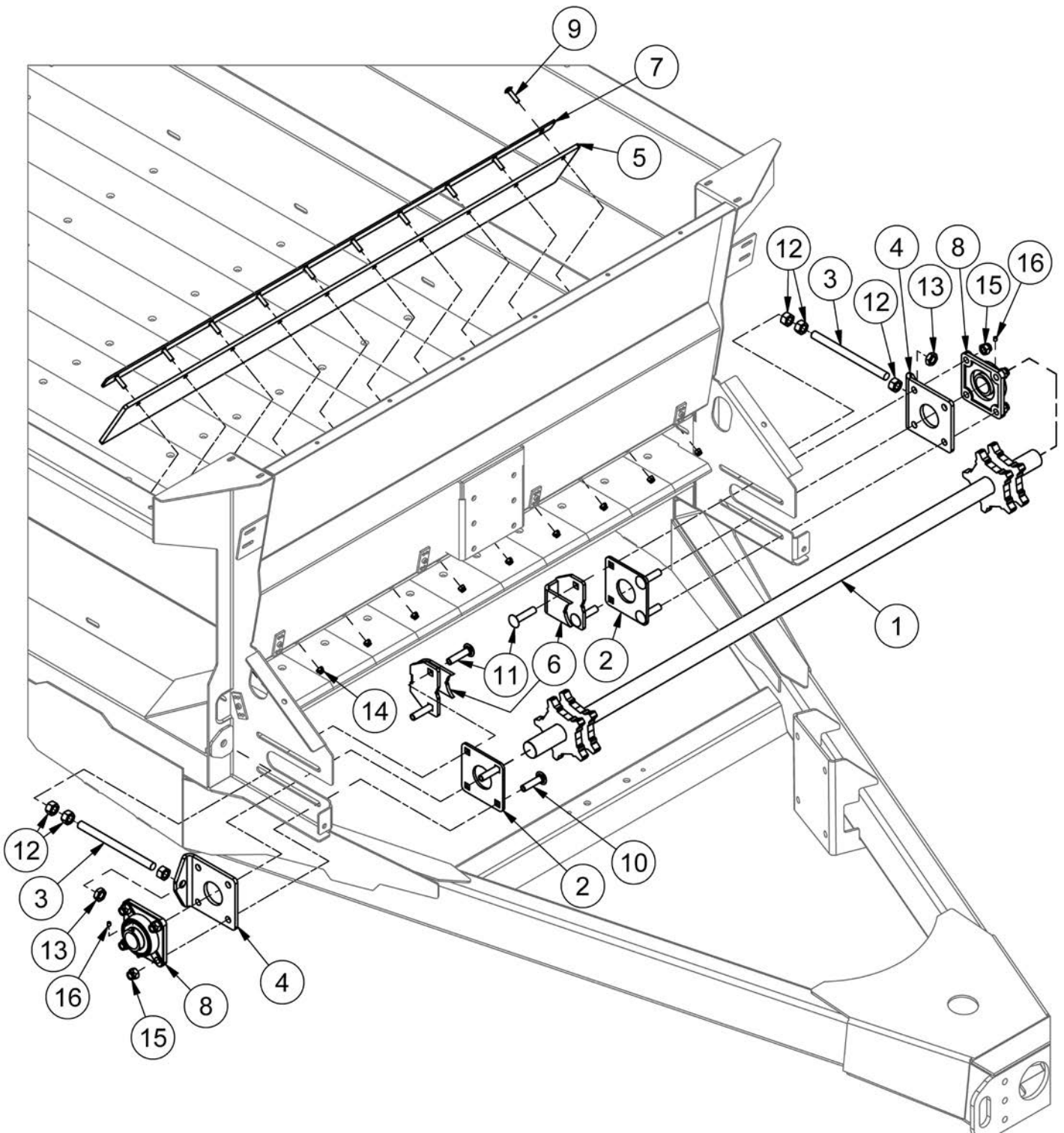
Front Shields- SN 16NS011 to Current



Front Shields - SN 16NS011 to Current

ITEM	QTY	PART NUMBER	DESCRIPTION
1	1	35754	PTO Holder
2	1	37171	Front Idler Shaft Cover
3	1	37195	Stone Guard
4	1	39413	Hose Mount
5	1	39422	HRP 0.188 in
6	1	39455	Long PTO Cover
7	1	39676	PTO Front Shield
8	1	43902	Hydraulic Hose Hanger
9	11	CB 1/2-13 X1.25 Z5	Carriage Bolt - 1/2-13 x 1 1/4" Grade 5 Zinc
10	2	CB 3/8-16 X1.25 Z5	Carriage Bolt - 3/8-16 x 1 1/4" Grade 5 Zinc
11	4	CB 5/8-11 X1.5 Z5	Carriage Bolt - 5/8-11 x 1 1/2" Grade 5 Zinc
12	7	FW 1/2	Flatwasher - 1/2" Zinc Plated USS
13	14	FW 3/8	Flatwasher - 3/8" Zinc Plated USS
14	4	FW 5/8	Flatwasher - 5/8" Zinc Plated USS
15	1	HB 1/2-13X1.5 Z5	Hex Bolt 1/2-13x1 1/2 Grade 5 Zinc Plated Hex Cap Screw
16	2	HB 1/2-13X1.25 Z5	Hex Bolt 1/2-13x1 1/4 Grade 5 Zinc Plated Hex Cap Screw
17	1	HB 1/2X3/8 SS	Socket Head Shoulder Screws - 1/2 Shldr x 3/8 x 3/8-16
18	8	HB 3/8-16X1 Z5	Hex Bolt 3/8-16x1 Grade 5 Zinc Plated Hex Cap Screw
19	4	HB 3/8-16X1.25 Z5	Hex Bolt 3/8-16x1 1/4 Grade 5 Zinc Plated Hex Cap Screw
20	1	HB 5/16-18X5 Z5	Hex Bolt 5/16-18x5 Grade 5 Zinc Plated Hex Cap Screw
21	14	LN 1/2 N	LN 1/2-13 Zinc Plated Nylon Insert Lock Nut
22	7	LN 3/8 N	LN 3/8-16 Zinc Plated Nylon Insert Lock Nut
23	4	LN 5/8 N	LN 5/8-11 Zinc Plated Nylon Insert Lock Nut
24	1	LN 5/16 N	LN 5/16-18 Zinc Plated Nylon Insert Lock Nut
25	6	LW 3/8	LW - 3/8" Zinc Plated Medium Split

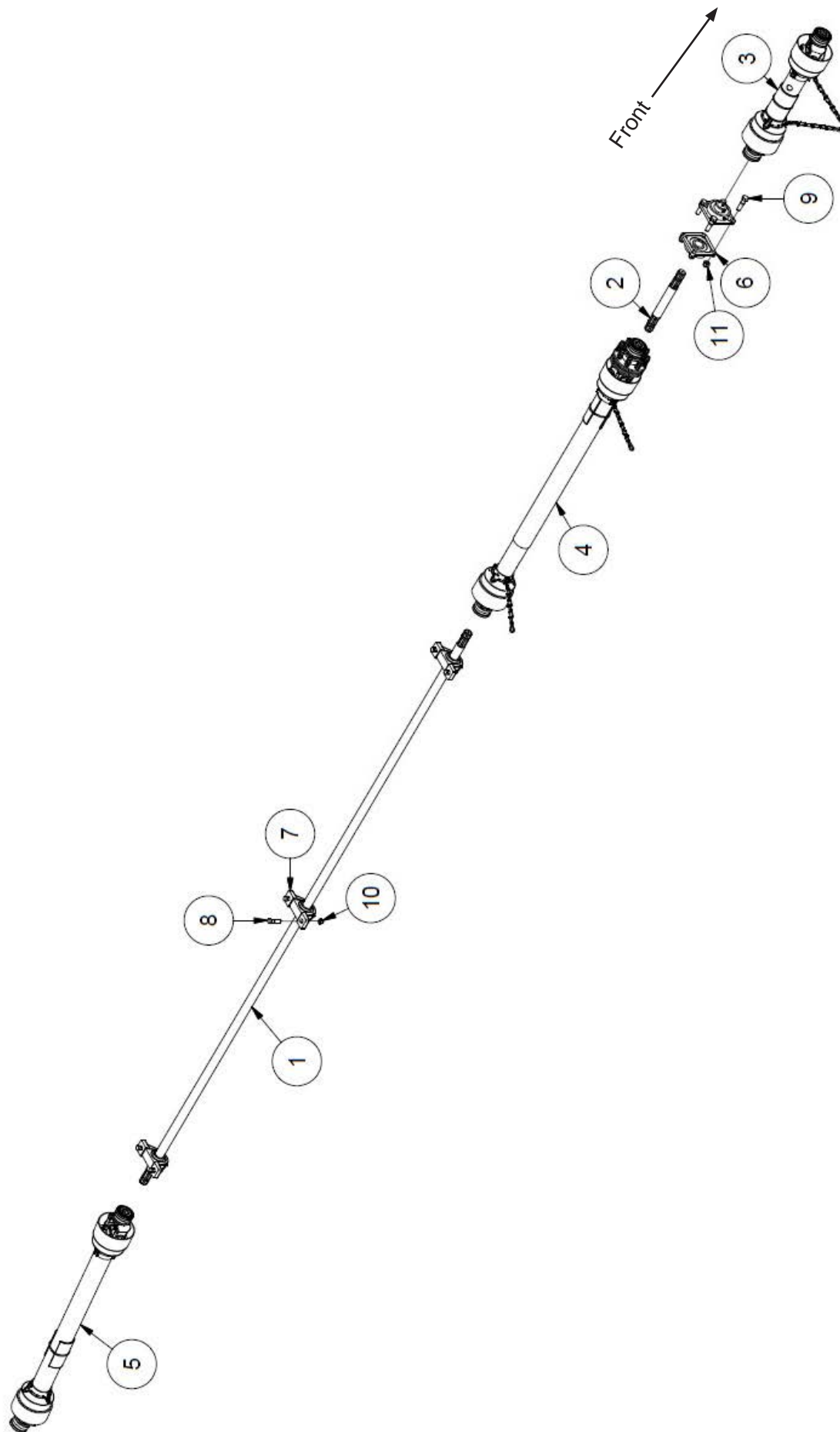
Front Apron Drive



Front Apron Drive

ITEM	QTY	PART NUMBER	DESCRIPTION
1	1	375-145	375 Front Apron Chain Shaft Weldment
2	2	37720	Inside Bearing Plate
3	2	39334	Adjustment Rod THR.75
4	2	400-169	Bearing Mount Plate
5	4	450-441	2 Ply Rubber Belt-V600,V450 (7.0 x 62.5)
6	2	45445	RS Series Front Scraper
7	3	600-790	Rubber Hold Down
8	2	BEA UCF209-28R3	Flange Bearing, Triple Seal, Ductile Iron
9	10	CB3/8-16X1.5CZ5	Carriage Bolt - 3/8-16 x 1 1/2" Grade 5 Zinc
10	4	CB5/8-11X2.5CZ5	Carriage Bolt - 5/8-11 x 2 1/2" Grade 5 Zinc
11	4	CB5/8-11X2.75CZ5	Carriage Bolt - 5/8-11 x 2 3/4" Grade 5 Zinc
12	6	HN3/4-10CZ5	Hex Nut 3/4"-10 Grade 5 Zinc Plated Finished
13	2	HNJ3/4-10	Hex Nut - 3/4-10 Zinc Plated Hex Jam Nut
14	10	LN3/8-16NCZ5	LN 3/8-16 Zinc Plated Nylon Insert Lock Nut
15	8	LN5/8-11NCZ5	LN 5/8-11 Zinc Plated Nylon Insert Lock Nut
16	2	SS5/16-18CX0.375CP	Allan Head Set Screw, 5/16-18 x 3/8

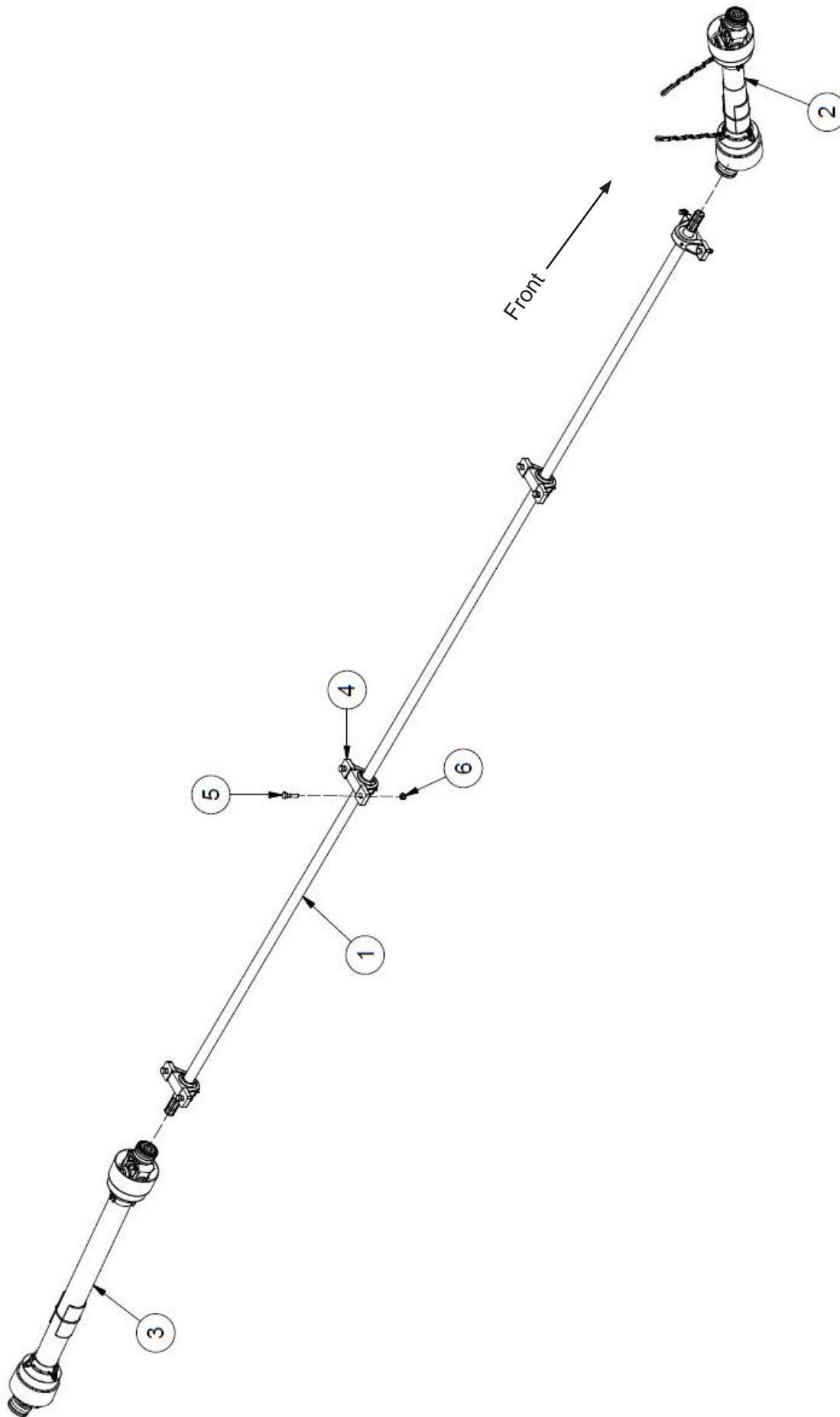
Driveline - Up to SN 16NS010



Driveline - Up to SN 16NS010

ITEM	QTY	PART NUMBER	DESCRIPTION
1	1	375-354	Splined Drive Shaft
2	1	400-994	Splined Stub Shaft
3	1	30841	PTO Secondary Shaft- Manure Spreader
4	1	30840	PTO Slip Clutch for Manure Spreader
5	1	30839	PTO Shaft - Primary Shaft for Manure Spreader N450-N600
6	2	BEA UCF208-24	Flange Bearing
7	3	BEA UCP208-24	Pillow Block Bearing
8	6	HB 1/2-13X2.0 Z5	Hex Bolt 1/2-13 x 2" Grade 5 Zinc Plated Hex Cap Screw NC
9	4	HB 5/8-11X2.1/2 Z5	Hex Bolt 5/8-11 x 2 1/2" Grade 5 Zinc Plated Hex Cap Screw NC
10	6	LN 1/2 N	Locknuts - 1/2-13 Zinc Plated Nylon Insert Lock Nut
11	4	LN 5/8 N	Locknut - 5/8-11 Zinc Plated Nylon Insert Lock Nut

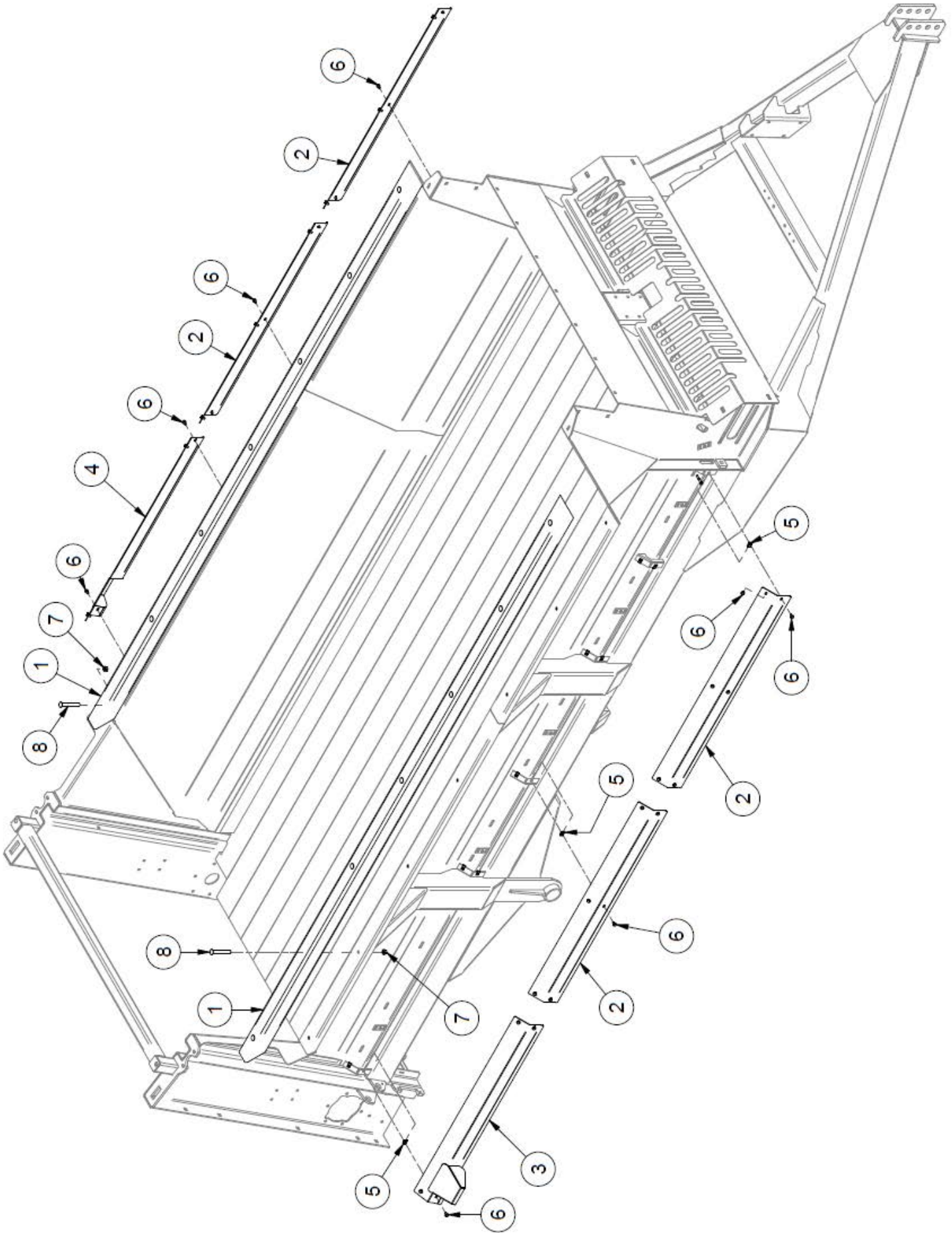
Driveline - SN 16NS011 to Current



Driveline - SN 16NS011 to Current

ITEM	QTY	PART NUMBER	DESCRIPTION	NOTE
1	1	375-356	Drive Shaft- Center 1.5 "x 178.72" long	Up to SN 21NRS201
	1	47536	Drive Shaft - Center 1.5" X 170 15/16" Long	SN 21NRS201 - Current
2	1	39850	PTO. 375,450,525,600,750 (V80-141P028359-028028-CV80-CLS)	
3	1	39852	PTO. 600, 750,275 (T60-086P265011-306028-CLS(2500NM))	
4	4	BEA UCP208-24	Bolt Pillow Block, UCPE208-24 National 2- Heavy Housing	
5	40	LN1/2-13NCZ5	LN 1/2-13 Zinc Plated Nylon Insert Lock Nut	
6	8	HB1/2-13X2Z5	Hex Bolt 1/2-13x2 Grade 5 Zinc Plated Hex Cap Screw	

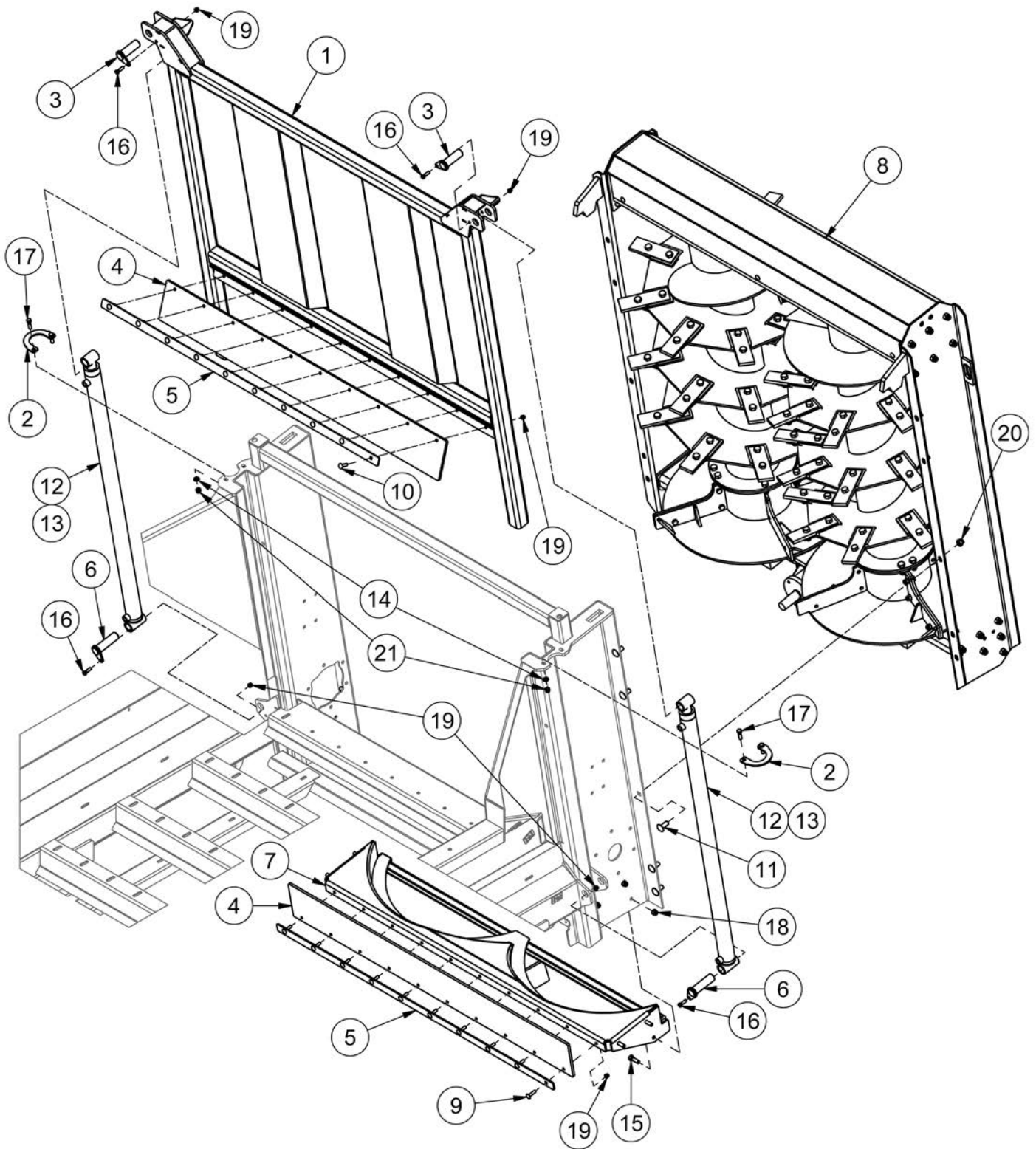
Side Shields - Up to SN 19NRS200



Side Shields - Up to SN 19NRS200

ITEM	QTY	PART NUMBER	DESCRIPTION	NOTE
1	2	Obtain Locally	4X4X14' Pressure Treated Beam	
2	4	37181	Front Hose Shield	Used until serial no. 19NRS200
3	1	37189	Right Rear Hose Cover	Used until serial no. 19NRS200
4	1	37188	Left Rear Hose Cover	Used until serial no. 19NRS200
5	32	HNP 5/16	Panel Nut - 5/16" U-Type Spring	Used until serial no. 19NRS200
6	32	HBC5/16X0.5	Hex Bolt Cerrated 5/16-18 x 1/2 Zinc Flange Bolt	Used until serial no. 19NRS200
7	14	HNC1/2	Serrated Hex Nut	
8	14	CB 1/2-13 X4.5 Z5	Carriage Bolt - 1/2-13 x 4 1/2" Grade 5 Zinc	

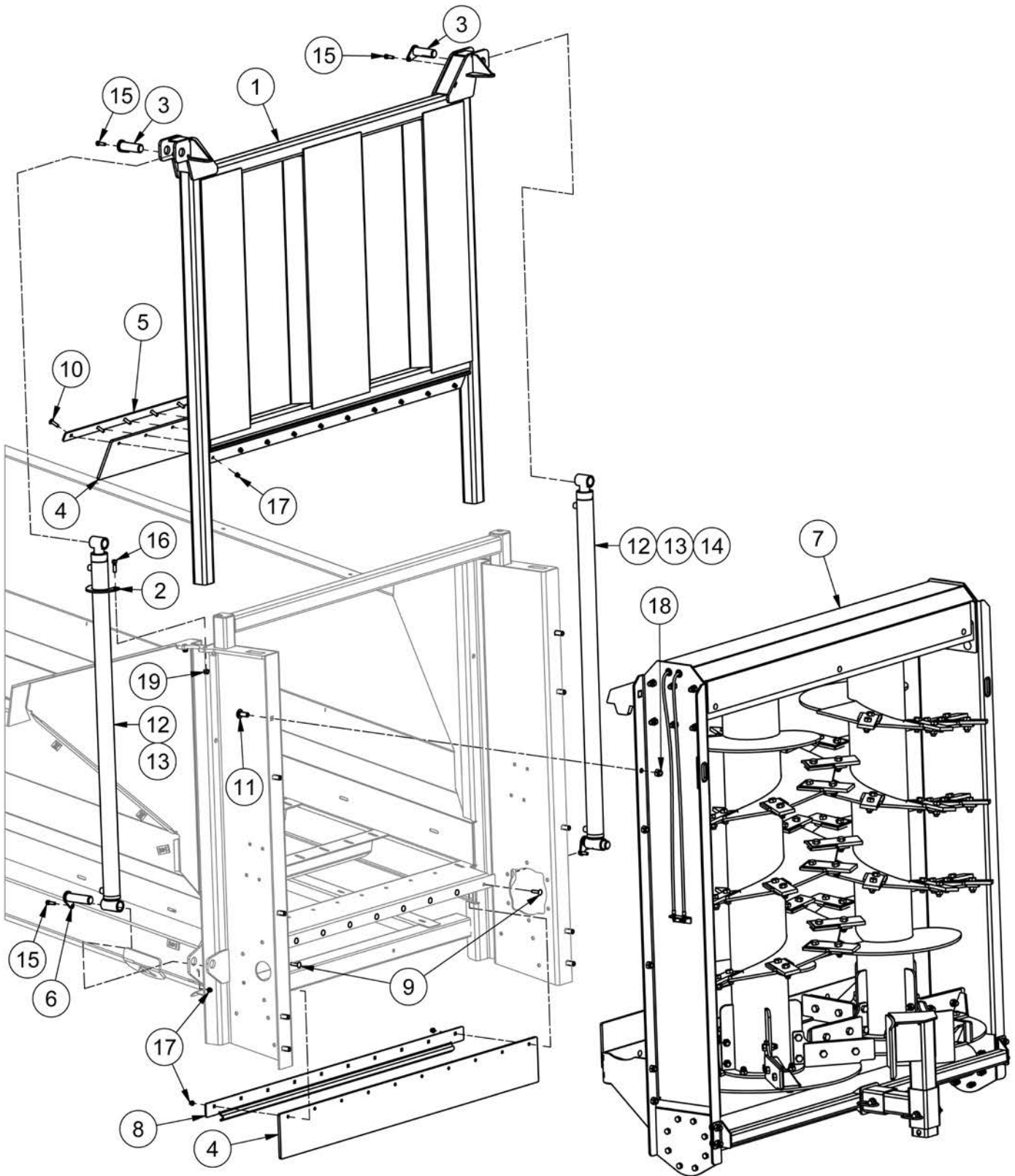
Endgate - Up to SN 20NRS249



Endgate - Up to SN 20NRS249

ITEM	QTY	PART NUMBER	DESCRIPTION	NOTE
1	1	375-126	375RS Endgate	
2	2	375-142	Cylinder Clamp	
3	2	400-601	Top Endgate Pin	
4	2	450-441	Rubber Seal	
5	2	600-790	Rubber Hold Down	
6	2	700-619	Bottom Endgate Pin	
7	1	37197	Spinner Shroud	Up to 20NRS249
8	1	37590	375RS Beater Kit	Up to 20NRS249
9	10	CB3/8-16X1.5CZ5	Carriage Bolt - 3/8-16 x 1 1/2" Grade 5 Zinc	
10	10	CB3/8-16X1.375CZ5	Carriage Bolt - 3/8-16 x 1 3/8" Grade 5 Zinc	
11	10	CB5/8-11X1.5CZ5	Carriage Bolt - 5/8-11 x 1 1/2" Grade 5 Zinc	
12	2	CYL 37344	Nitro 375 Gate Cylinder 2.0 x 48 x 1.5	
13	2	SKFH20-15	Seal Kit for 2" Cylinder Bore 1.5" Rod	
14	4	FW 7/16	Flatwasher - 7/16" Zinc Plated USS	
15	6	HB1/2-13X1.5Z5	Hex Bolt 1/2-13x1 1/2 Grade 5 Zinc Plated Hex Cap Screw	
16	4	HB3/8-16X1.25Z5	Hex Bolt 3/8-16x1 1/4 Grade 5 Zinc Plated Hex Cap Screw	
17	4	HB7/16-14X1.5Z5	Hex Bolt 7/16-14x1 1/2 Grade 5 Zinc Plated Hex Cap Screw	
18	6	LN1/2-13NCZ5	LN 1/2-13 Zinc Plated Nylon Insert Lock Nut	
19	24	LN3/8-16NCZ5	LN 3/8-16 Zinc Plated Nylon Insert Lock Nut	
20	10	LN5/8-11NCZ5	LN 5/8-11 Zinc Plated Nylon Insert Lock Nut	
21	4	LN7/16-14NCZ5	LN 7/16-14 Zinc Plated Nylon Insert Lock Nut	

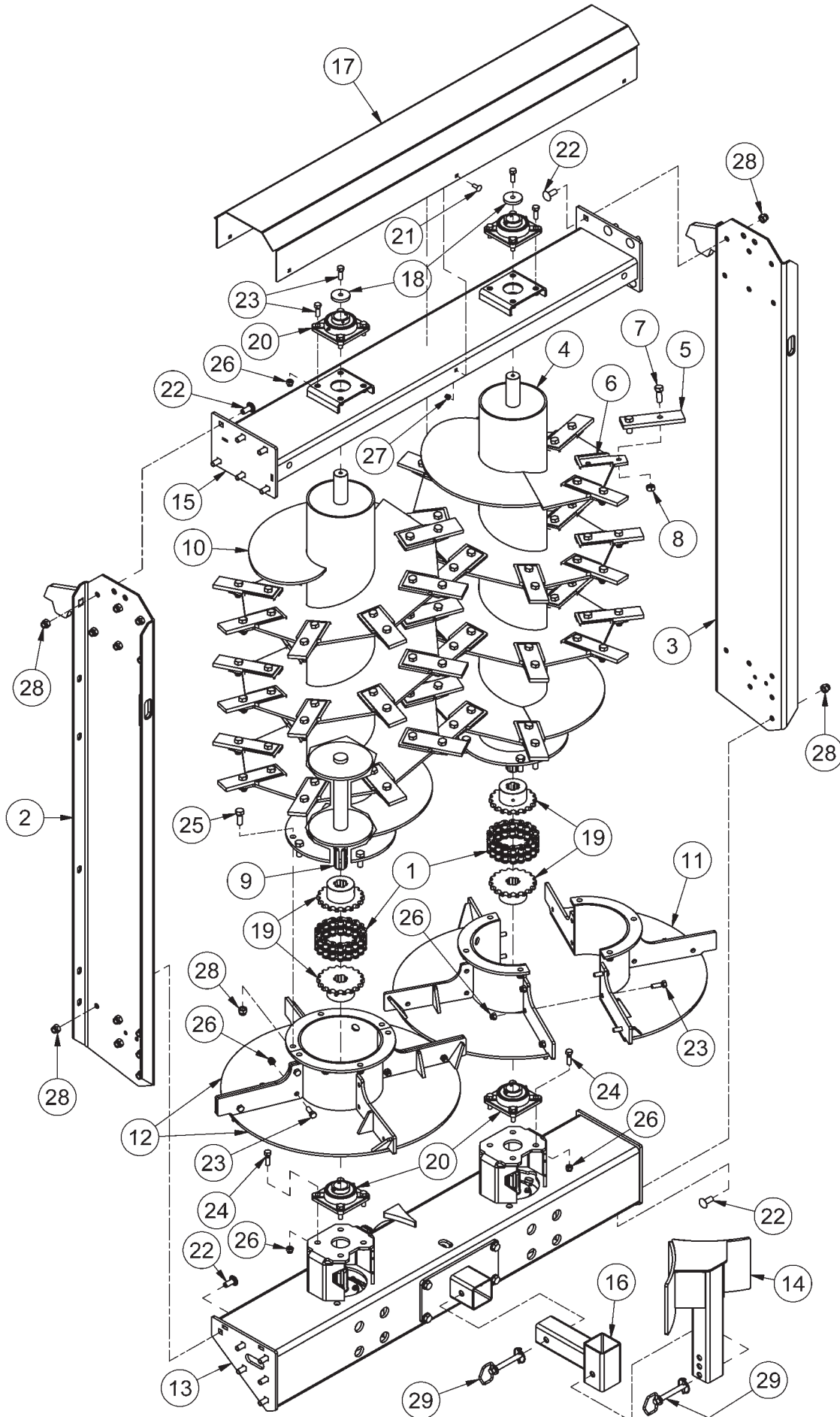
Endgate - SN 21NRS201 to Current



Endgate - SN 21NRS201 to Current

ITEM	QTY	PART NUMBER	DESCRIPTION	NOTE
1	1	375-126	375RS Endgate	
2	2	375-142	Cylinder Clamp	
3	2	400-601	Top Endgate Pin	
4	2	450-441	Rubber Seal	
5	1	600-790	Rubber Hold Down	
6	2	700-619	Bottom Endgate Pin	
7	1	46925	375 Beater Kit	21NRS201 - Current
8	1	47567	Wiper Guide	
9	10	CB3/8-16X1.5CZ5	Carriage Bolt - 3/8-16 x 1 1/2" Grade 5 Zinc	
10	10	CB3/8-16X1.375CZ5	Carriage Bolt - 3/8-16 x 1 3/8" Grade 5 Zinc	
11	10	CB5/8-11X1.5CZ5	Carriage Bolt - 5/8-11 x 1 1/2" Grade 5 Zinc	
12	2	CYL 37344	Nitro 375 Gate Cylinder 2.0 x 48 x 1.5	
13	2	SKFH20-15	Seal Kit for 2" Cylinder Bore 1.5" Rod	Up to 22NRS274
14	2	HYS-SK-4862 HYS	Hyspec Seal Kit	23NRS201 - Current
15	4	HB3/8-16X1.25Z5	Hex Bolt 3/8-16x1 1/4 Grade 5 Zinc Plated Hex Cap Screw	
16	4	HB7/16-14X1.5Z5	Hex Bolt 7/16-14x1 1/2 Grade 5 Zinc Plated Hex Cap Screw	
17	24	LN3/8-16NCZ5	LN 3/8-16 Zinc Plated Nylon Insert Lock Nut	
18	10	LN5/8-11NCZ5	LN 5/8-11 Zinc Plated Nylon Insert Lock Nut	
19	4	LN7/16-14NCZ5	LN 7/16-14 Zinc Plated Nylon Insert Lock Nut	

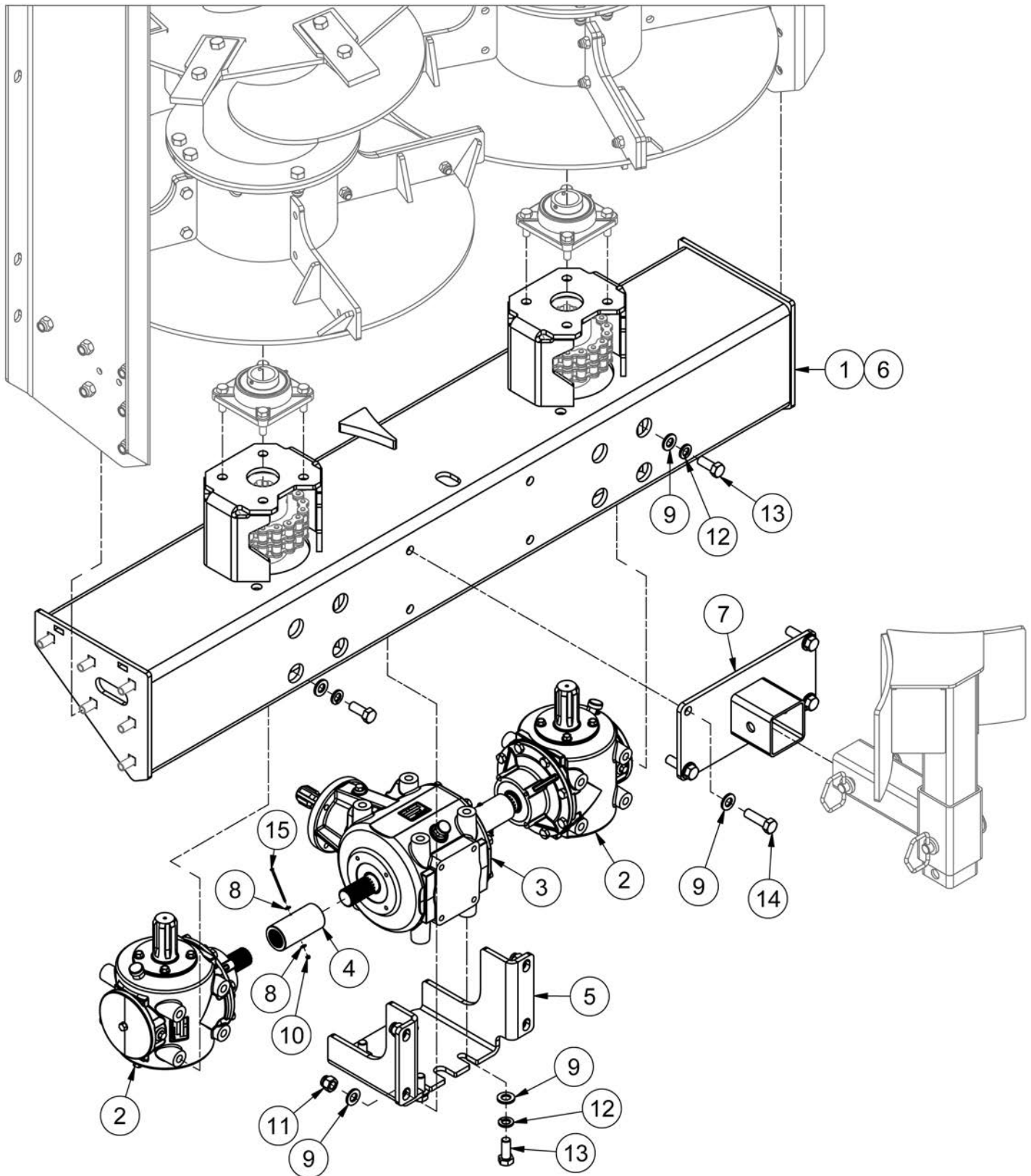
Beaters (37590) - Up to SN 20NRS249



Beaters (37590) - Up to SN 20NRS249

ITEM	QTY	PART NUMBER	DESCRIPTION	NOTE
1	2	31518	Coupling Chain # 80	
2	1	37591	Left Beater Side Panel	
3	1	37592	Right Beater Side Panel	
4	1	37593	375RS Right Beater	Items 5-9
5	24	400-438	Beater Paddle	Qty=1 Beater
6	24	47476	Beater Retainer	Qty=1 Beater
7	48	HB5/8-11X1.75Z5	Hex Bolt 5/8-11x1 3/4 Grade 5 Zinc Plated Hex Cap Screw	Qty=1 Beater
8	48	LN5/8-11TCZ5	LN5/8-11 Gr.C Zinc Top Lock Nut	Qty=1 Beater
9	1	45098	Weld-in Lower Beater 1 3/4" Shaft Assembly	Qty=1 Beater
10	1	37595	375RS Left Beater	Items 5-9
11	2	37597	Right Spinner	
12	2	37738	Left Spinner	
13	1	40684	Rear Drive Assembly SRT8 T290A	See Pg.2-22
14	1	450-131	Beater Deflector	
15	1	450-133	Top Beater Cross Beam	
16	1	450-134	Deflector Mount Insert	
17	1	450-405	Top Beater Cover	
18	2	700-157	Load Bearing Washer	
19	4	700-645	Sprocket Weldment 80B18,-1.75 x 6 Spline	
20	4	BEA UCF209-28R3	UCF209 Bearing	
21	6	CB3/8-16X1CZ5	Carriage Bolt - 3/8-16 x 1" Grade 5 Zinc	
22	24	CB5/8-11X1.5CZ5	Carriage Bolt - 5/8-11 x 1 1/2" Grade 5 Zinc	
23	22	HB1/2-13X1.5Z5	Hex Bolt 1/2-13x1 1/2 Grade 5 Zinc Plated Hex Cap Screw	
24	8	HB1/2-13X1.75Z5	Hex Bolt 1/2-13x1 3/4 Grade 5 Zinc Plated Hex Cap Screw	
25	12	HB5/8-11X1.75Z5	Hex Bolt 5/8-11x1 3/4 Grade 5 Zinc Plated Hex Cap Screw	
26	28	LN1/2-13NCZ5	LN 1/2-13 Zinc Plated Nylon Insert Lock Nut	
27	6	LN3/8-16NCZ5	LN 3/8-16 Zinc Plated Nylon Insert Lock Nut	
28	36	LN5/8-11NCZ5	LN 5/8-11 Zinc Plated Nylon Insert Lock Nut	
29	2	TL384804	3/4 x 4 1/4 Hitch Pin w/Chain & Lynch Pin	

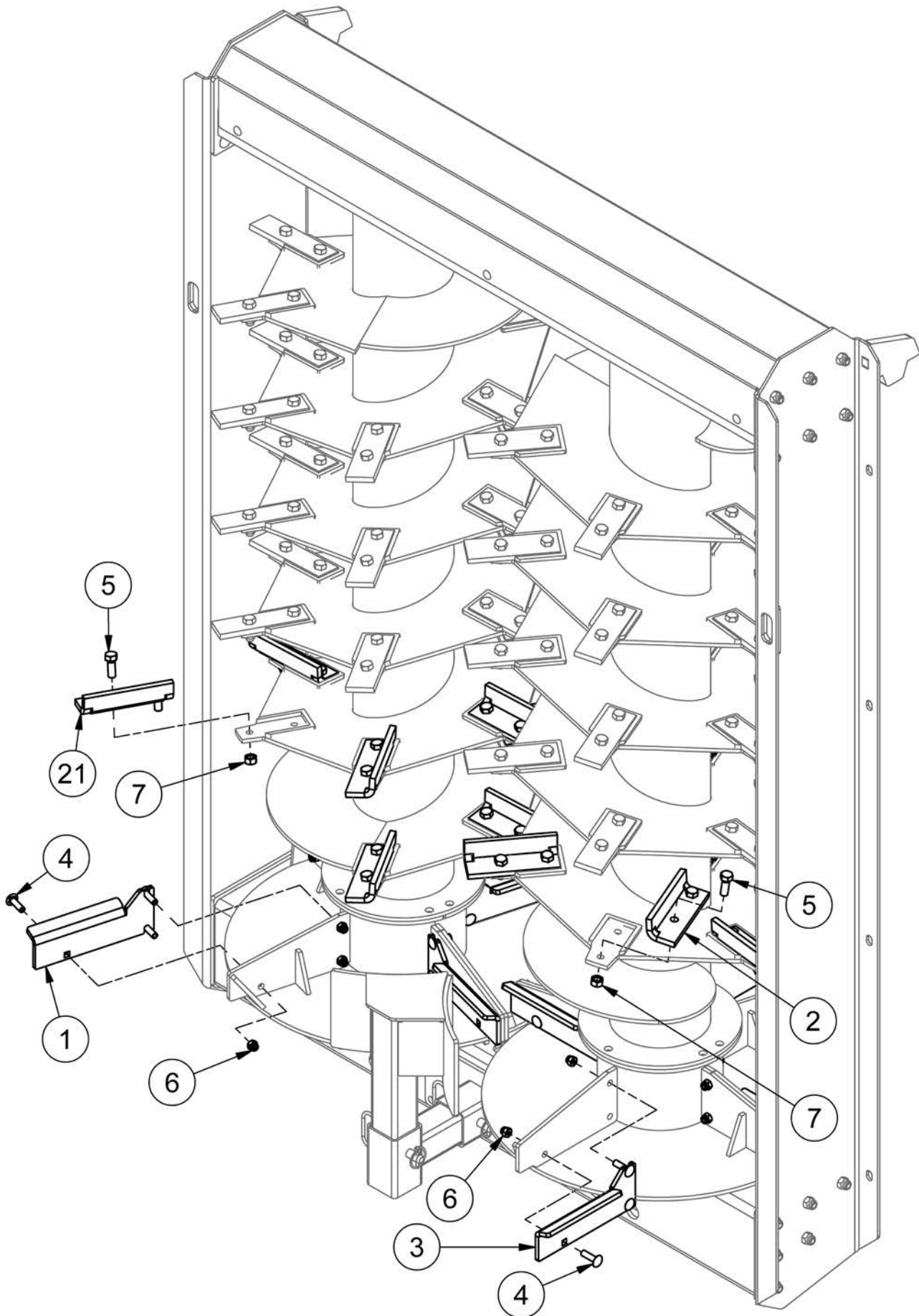
Beater Cross Beam (40684) - Up to SN 20NRS249



Beater Cross Beam (40684) - Up to SN 20NRS249

ITEM	QTY	PART NUMBER	DESCRIPTION	NOTE
1	1	40684	Rear Drive Assembly T290A	All Items
2	2	30847-2	Gear Box 1000 PTO - 540 1 3/4 Spline Output	See Pg.6-4
3	1	30848	Gear Box - Center - Spreaders	See Pg.6-6
4	2	30849	Sleeve - Gear Box Spreaders 1.38 x 18 Spline	
5	1	403-912	Mounting Bracket Gearbox	
6	1	450-115	Cross Beam Beater Bottom	
7	1	450-139	Deflector Mount Socket	
8	4	Bonded Washer - No.4		
9	20	FW16MM	Metric Flat Washer	
10	2	LN#4-40NCZ5	LN 4-40 Zinc Plated Nylon Insert Lock Nut	
11	4	LN16-2CZ5	Locknut - M16-2 Zinc Plated Nylon Insert Lock Nut	
12	12	LWM16	Lockwasher - M16	
13	12	M16X40X2	Metric Bolt	
14	4	M16X55X2	Metric Bolt	
15	2	MS #4X40X2.5	Machine Screw - (Inch)	

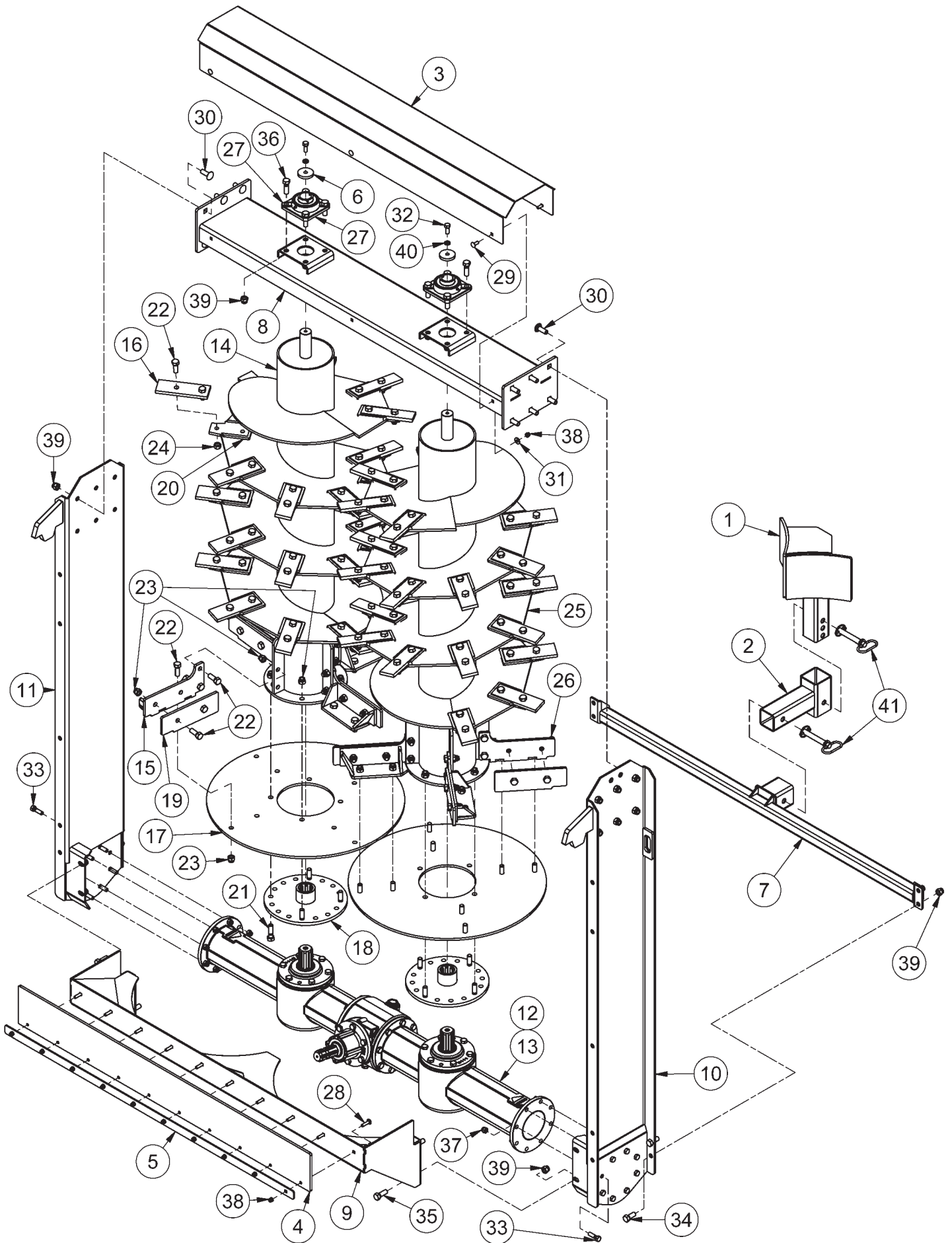
Optional Flange Paddle Kit (41504) - Up to SN 20NRS249



Optional Flange Paddle Kit (41504) - Up to SN 20NRS249

ITEM	QTY	PART NUMBER	DESCRIPTION
1	4	33321	Cupped Paddles - Left
21	8	36518	Beater Paddle (Cupped) Left
2	8	37718	Beater Paddle (Cupped) Right
3	4	37719	Cupped Paddles - Right
4	24	CB1/2-13X1.75CZ5	Carriage Bolt - 1/2-13 x 1 3/4" Grade 5 Zinc
5	32	HB5/8-11X1.75Z5	Hex Bolt 5/8-11x1 3/4 Grade 5 Zinc Plated Hex Cap Screw
6	24	LN1/2-13NCZ5	LN 1/2-13 Zinc Plated Nylon Insert Lock Nut
7	32	LN5/8-11TCZ5	LN5/8-11 Gr.C Zinc Top Lock Nut

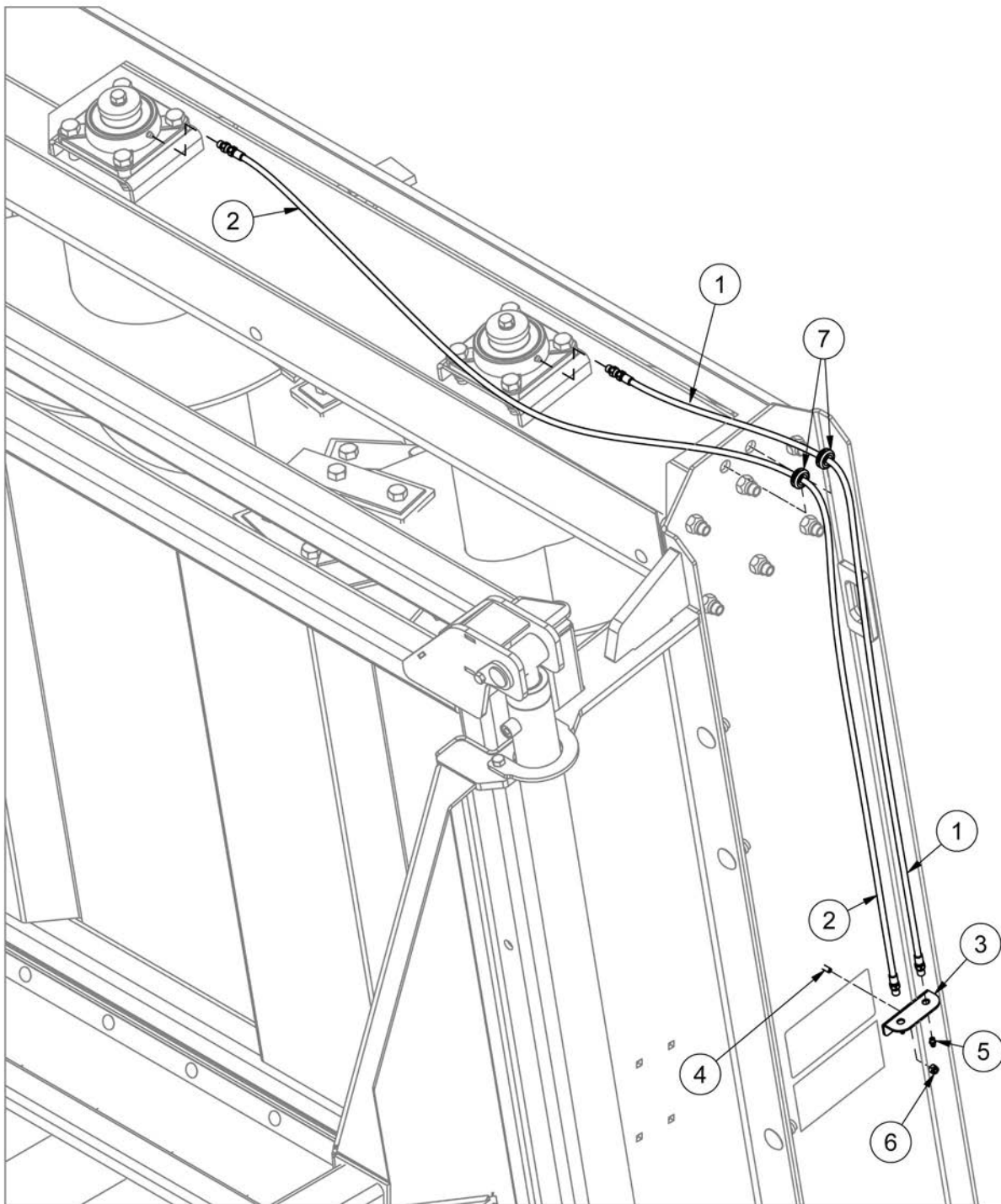
Beaters (46925) - SN 21NRS001 to Current



Beaters (46925) - SN 21NRS001 to Current

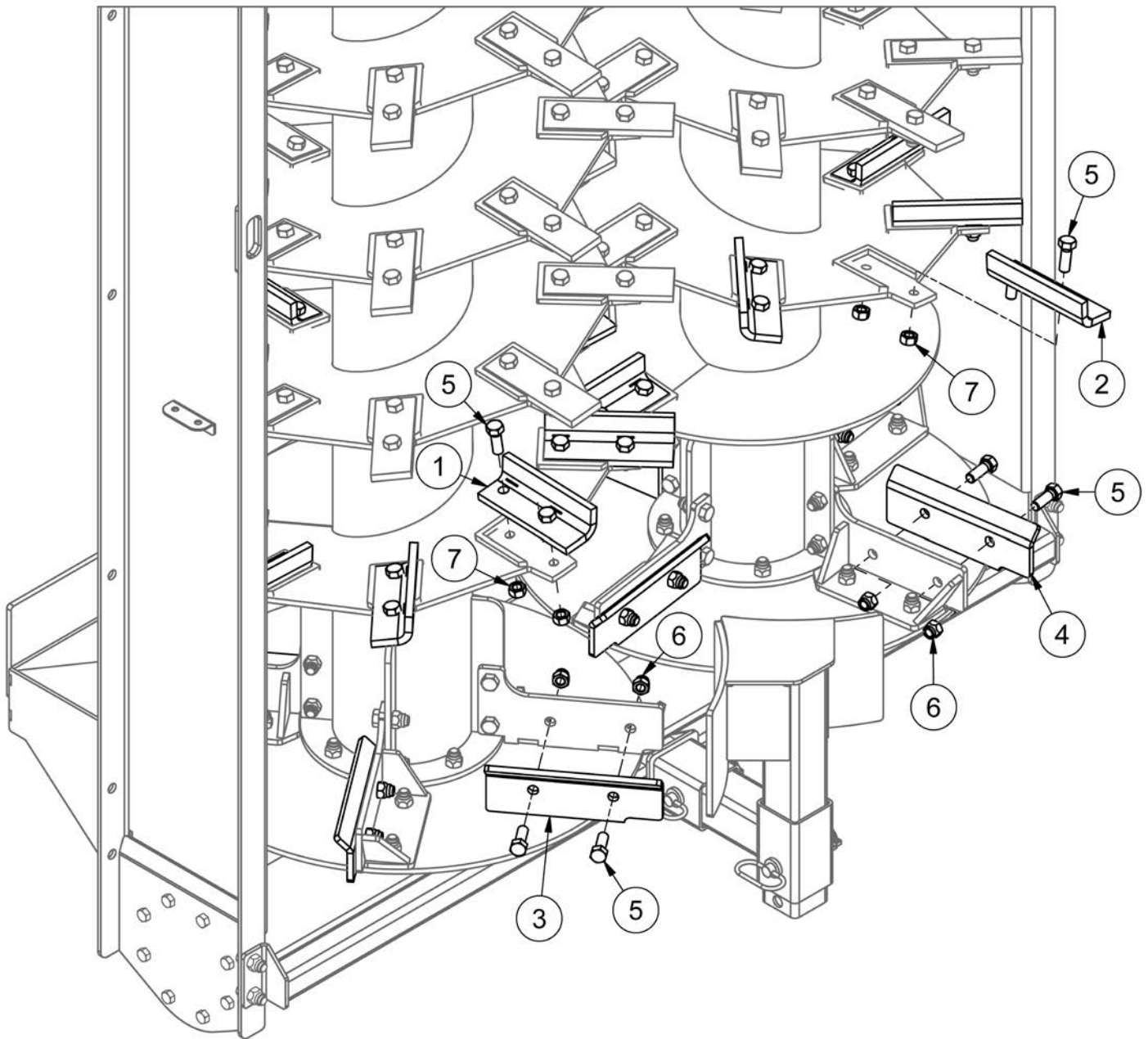
ITEM	QTY	PART NUMBER	DESCRIPTION	NOTE
1	1	450-131	Beater Deflector	
2	1	450-134	Deflector Mount Insert	
3	1	450-405	Top Beater Cover	
4	1	450-441	Rubber Seal	
5	1	600-790	Rubber Hold Down	
6	2	700-157	Load Bearing Washer	
7	1	42225	Receiver Assembly	
8	1	42226	Top Beater Crosser	
9	1	42227	Spinner Pan Assembly	
10	1	42228	Left Side Beater Frame	
11	1	42229	Right Side Beater Frame	
12	1	42409	Rear Beater Gearbox - Omnigear	Standard
13	1	43856	Rear Beater Gearbox - Omnigear - 540 RPM	Optional
14	1	46938	Right 375 Beater ASM	Items 15-24
15	4	46928	375 Right Paddle	
16	24	400-438	Beater Paddle	Qty=1 Beater
17	1	46924	375 Spinner Disc	Qty=1 Beater
18	1	46932	375 Spline Hub	Qty=1 Beater
19	4	46934	375 Spinner Paddle	Qty=1 Beater
20	24	47476	Paddle Retainer	Qty=1 Beater
21	4	HB 5/8-11X2.25 Z5	Hex Bolt 5/8-11x2 1/4 Grade 5 Zinc Plated Hex Cap Screw	Qty=1 Beater
22	72	HB5/8-11X1.75Z5	Hex Bolt 5/8-11x1 3/4 Grade 5 Zinc Plated Hex Cap Screw	Qty=1 Beater
23	28	LN5/8-11NCZ5	LN 5/8-11 Zinc Plated Nylon Insert Lock Nut	Qty=1 Beater
24	48	LN5/8-11TCZ5	LN5/8-11 Gr.C Zinc Top Lock Nut	Qty=1 Beater
25	1	46939	Left 375 Beater ASM	Items 16-24,26
26	4	46930	375 Left Paddle	
27	2	BEA UCF209-28R3	Flange Bearing, Triple Seal, Ductile Iron	
28	10	CB3/8-16X1.5CZ5	Carriage Bolt - 3/8-16 x 1 1/2" Grade 5 Zinc	
29	6	CB3/8-16X1CZ5	Carriage Bolt - 3/8-16 x 1" Grade 5 Zinc	
30	12	CB5/8-11X1.75CZ5	Carriage Bolt - 5/8-11 x 1 3/4" Grade 5 Zinc	
31	6	FW 3/8	Flatwasher - 3/8" Zinc Plated USS	
32	2	HB1/2-13X1.25Z5	Hex Bolt 1/2-13x1 1/4 Grade 5 Zinc Plated Hex Cap Screw	
33	16	HB1/2-13X1.75Z5	Hex Bolt 1/2-13x1 3/4 Grade 5 Zinc Plated Hex Cap Screw	
34	4	HB5/8-11X1.5Z5	Hex Bolt 5/8-11x1 1/2 Grade 5 Zinc Plated Hex Cap Screw	
35	4	HB5/8-11X1.75Z5	Hex Bolt 5/8-11x1 3/4 Grade 5 Zinc Plated Hex Cap Screw	
36	8	HB5/8-11X2Z5	Hex Bolt 5/8-11x2 Grade 5 Zinc Plated Hex Cap Screw	
37	16	LN1/2-13NCZ5	LN 1/2-13 Zinc Plated Nylon Insert Lock Nut	
38	16	LN3/8-16NCZ5	LN 3/8-16 Zinc Plated Nylon Insert Lock Nut	
39	28	LN5/8-11NCZ5	LN 5/8-11 Zinc Plated Nylon Insert Lock Nut	
40	2	LW 1/2	LW - 1/2" Zinc Plated Medium Split	
41	2	TL550-100-050	Push Off Pin	

Beater Greaselines



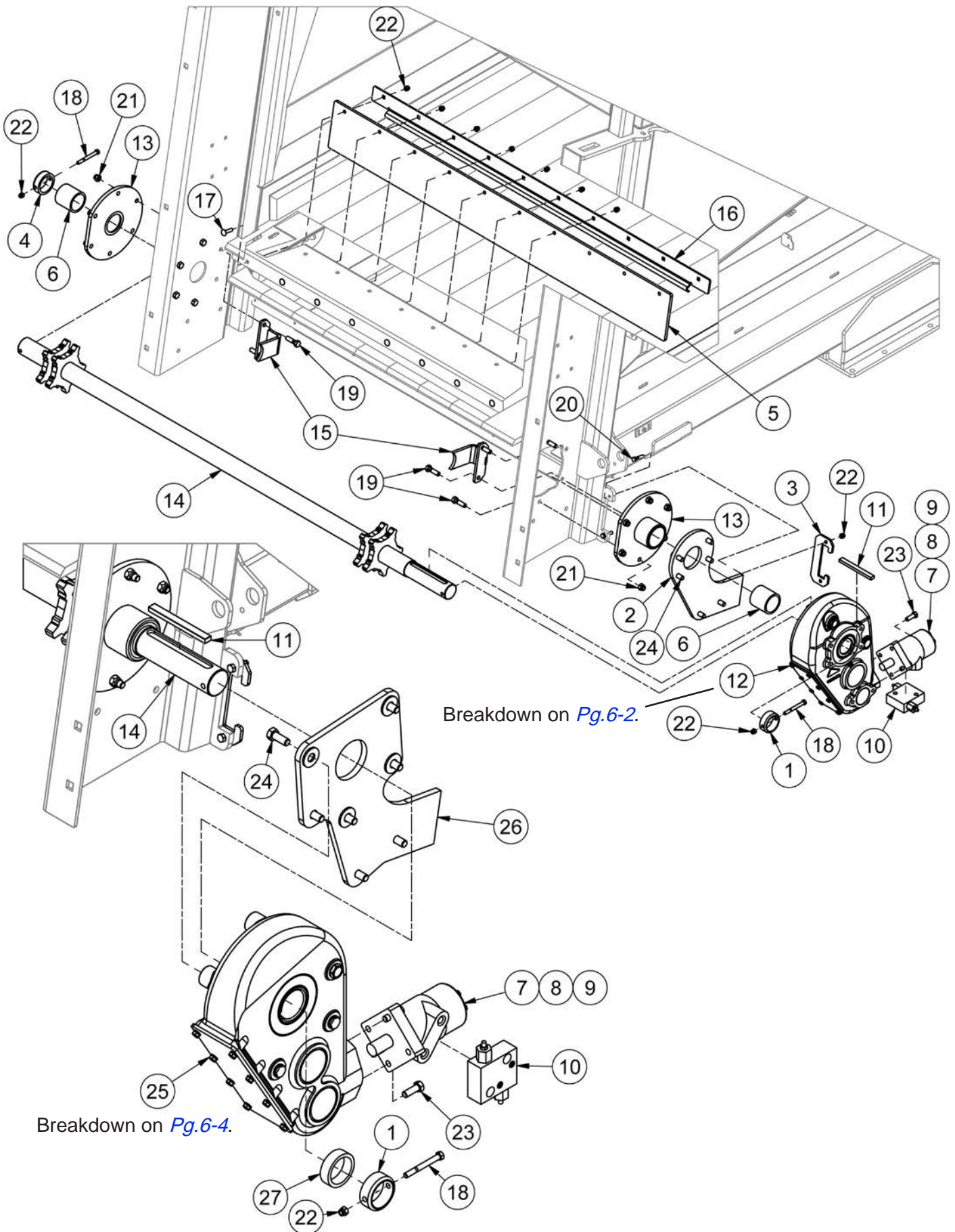
ITEM	QTY	PART NUMBER	DESCRIPTION
1	1	36623	Hose - HH67 - 2R7(2MPX,2GKCY) HCL 67"
2	1	36624	Hose - HH99 - 2R7(2MPX,2GKCY) HCL 99"
3	1	37849	Nitro Grease Line Mount
4	1	CB1/4-20X0.75CZ5	Carriage Bolt - 1/4-20 x 3/4" Grade 5 Zinc
5	2	GR 1/4 X 28	Grease Fitting 1/4-28 Straight Standard Zerk
6	1	LN1/4-20NCZ5	LN 1/4-20 Zinc Plated Nylon Insert Lock Nut
7	2	TL5X2-100-143	Rubber Grommet

Optional Flange Paddle Kit (47553) - SN 21NRS001 to Current



ITEM	QTY	PART NUMBER	DESCRIPTION
1	8	36518	Cupped Beater Paddle - Left
2	8	37718	Cupped Beater Paddle - Right
3	4	47551	375 Left Cupped Spinner Paddle
4	4	47552	375 Right Cupped Spinner Paddle
5	48	HB5/8-11X1.75Z5	Hex Bolt 5/8-11x1 3/4 Grade 5 Zinc Plated Hex Cap Screw
6	16	LN5/8-11NCZ5	LN 5/8-11 Zinc Plated Nylon Insert Lock Nut
7	32	LN5/8-11TCZ5	LN5/8-11 Gr.C Zinc Top Lock Nut

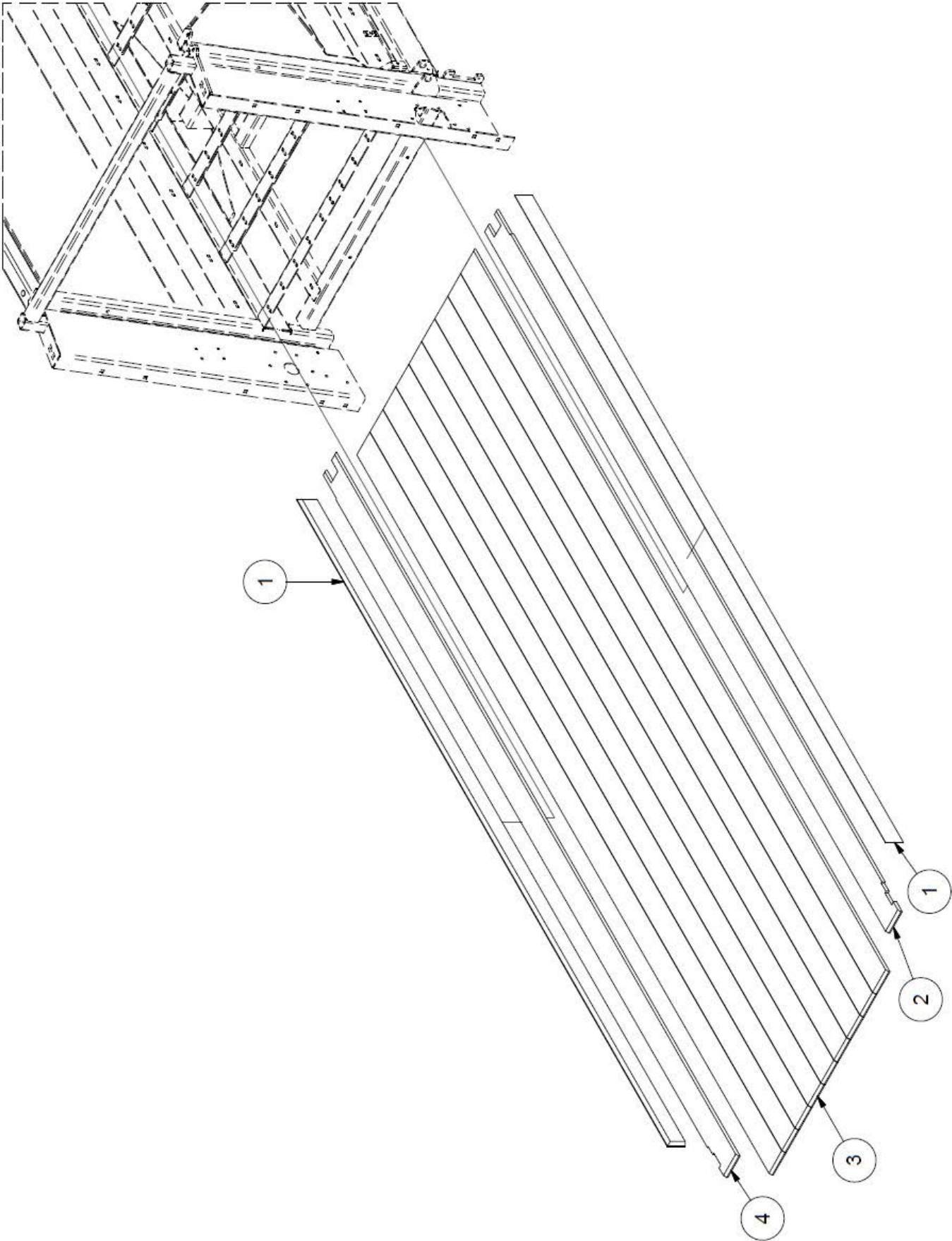
Rear Apron Drive



Rear Apron Drive

ITEM	QTY	PART NUMBER	DESCRIPTION	NOTE
1	1	375-371	Apron Shaft Bushing	
2	1	375-428	Gearbox Torque Arm	
3	1	375-433	Torque Arm Retainer	
4	1	450-371	Apron Shaft Bushing	
5	1	450-441	2 Ply Rubber Belt - 7.0 X 62.5	21NRS201 -
6	2	700-431	Apron Bushing	
7	1	30854	Hydraulic Motor - Spreaders	Standard Up to 22NRS274
8	1	40718	Hydraulic Motor w/ Speed Sensor & Relief	Req. Scale Option
9	1	SK-SMRS-SK	Seal Kit - Gear Box Motor	
10	1	30856	Hydraulic Cross Port Relief for Motor - Spreaders	
11	1	43659	Metric 16mm x 11mm x 6.25"	
12	1	34001	Gear Box for Spreader SRT8/1710 1000/420	
13	2	37560	Rear Shaft Bushing	
14	1	37563	Rear Apron Shaft	
15	2	37566	Rear Scraper	
16	1	47567	Wiper Guide 62.5"	21NRS201 -
17	10	CB3/8-16X1.5CZ5	Carriage Bolt - 3/8-16 x 1 1/2" Grade 5 Zinc	
18	2	HB 3/8-16X3.5 Z5	Hex Bolt 3/8-16x3 1/2 Grade 5 Zinc Plated Hex Cap Screw	
19	12	HB1/2-13X1.75Z5	Hex Bolt 1/2-13x1 3/4 Grade 5 Zinc Plated Hex Cap Screw	
20	2	HB3/8-16X1.5Z5	Hex Bolt 3/8-16x1 1/2 Grade 5 Zinc Plated Hex Cap Screw	
21	12	LN1/2-13NCZ5	LN 1/2-13 Zinc Plated Nylon Insert Lock Nut	
22	14	LN3/8-16NCZ5	LN 3/8-16 Zinc Plated Nylon Insert Lock Nut	
23	2	M12X35X1.75	Metric Bolt	
24	6/7	M14X35X2	Metric Bolt	
25	1	49994	CNM350 Apron Gear Box	23NRS201 - Current
26	1	49950	CNM350 Torque Arm Asm.	23NRS201 - Current
27	1	50071	275 Apron Gearbox Spacer	23NRS201 - Current

Floor & Side Boards

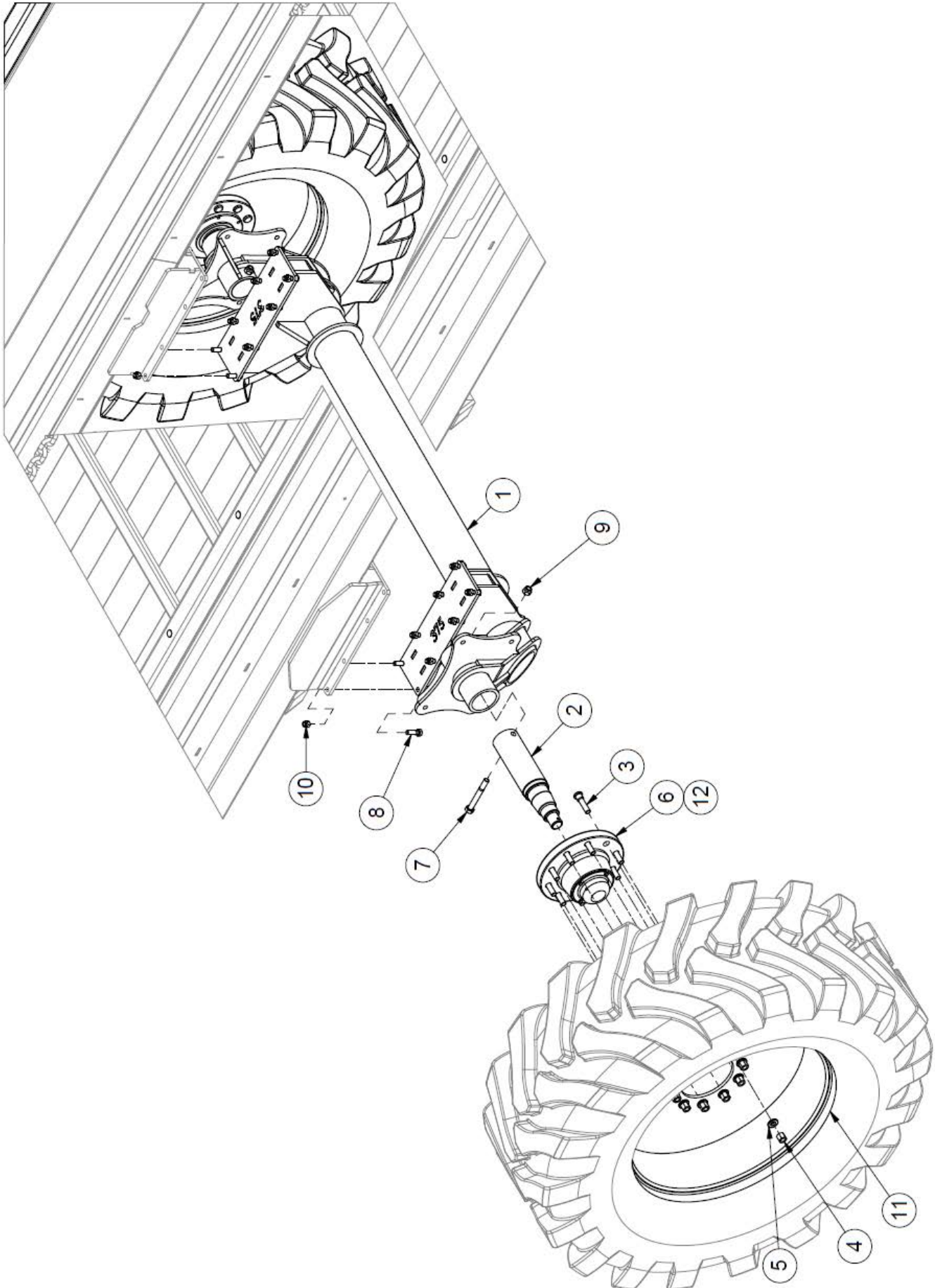


Floor & Side Boards

ITEM	QTY	PART NUMBER	DESCRIPTION
1	2	37721	Side Board
2	1	375-225	Right End Floor Board
3	9	375-355	Floor Board
4	1	375-365	Left End Floor Board

Single Axle

Used from serial no. **19NRS200** to current.



Single Axle

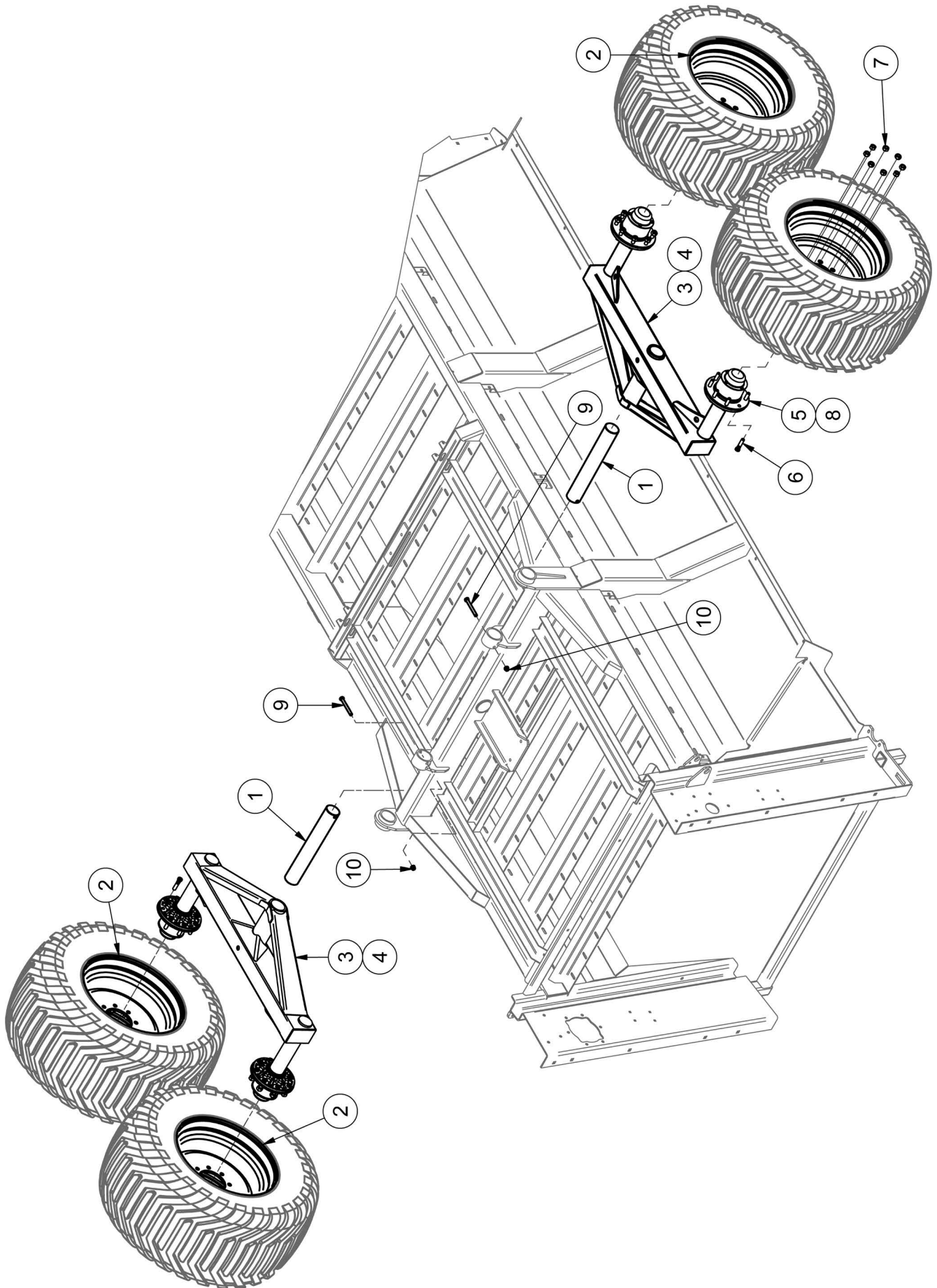
Used from serial no. **19NRS200** to current.

ITEM	QTY	PART NUMBER	DESCRIPTION
1	1	42769	375 Single Axle
2	2	450-435	16000 lb Spindle (SP 4.0 X 18.4)
3	20	31529	3/4 Wheel Stud
4	20	31530	3/4 Wheel Nut
5	20	39600	W750 Washer
6	2	HUB 16000	Complete 16000lb Hub
7	2	HB 3/4-10X6 Z5	Hex Bolt 3/4-10x6 Grade 5 Zinc Plated Hex Cap Screw
8	16	HB 5/8-11X2 Z5	Hex Bolt 5/8-11x2 Grade 5 Zinc Plated Hex Cap Screw
9	2	LN 3/4 N	LN 3/4-10 Zinc Plated Nylon Insert Lock Nut
10	24	LN 5/8 N	LN 5/8-11 Zinc Plated Nylon Insert Lock Nut
11	2	450-338	Rim
12	2	HUB 16000-CCS	16000lb Hub Bearing & Seal Kit

NITRO 375RS TIRE CHART		
Axle Type	Part Number	Tire Size
Single	WHE 600X65X34	600/65-34
Tandem	WHE 425X65X22.5L	425/22.5 Recap (Truck)
Tandem	WHE 550X45X22.5	550/45-22.5

NOTE: Refer to Nitro Operator's Manual for wheel load capacity charts.

Tandem Axle - Up to SN 18NRS254



Tandem Axle - Up to SN 18NRS254

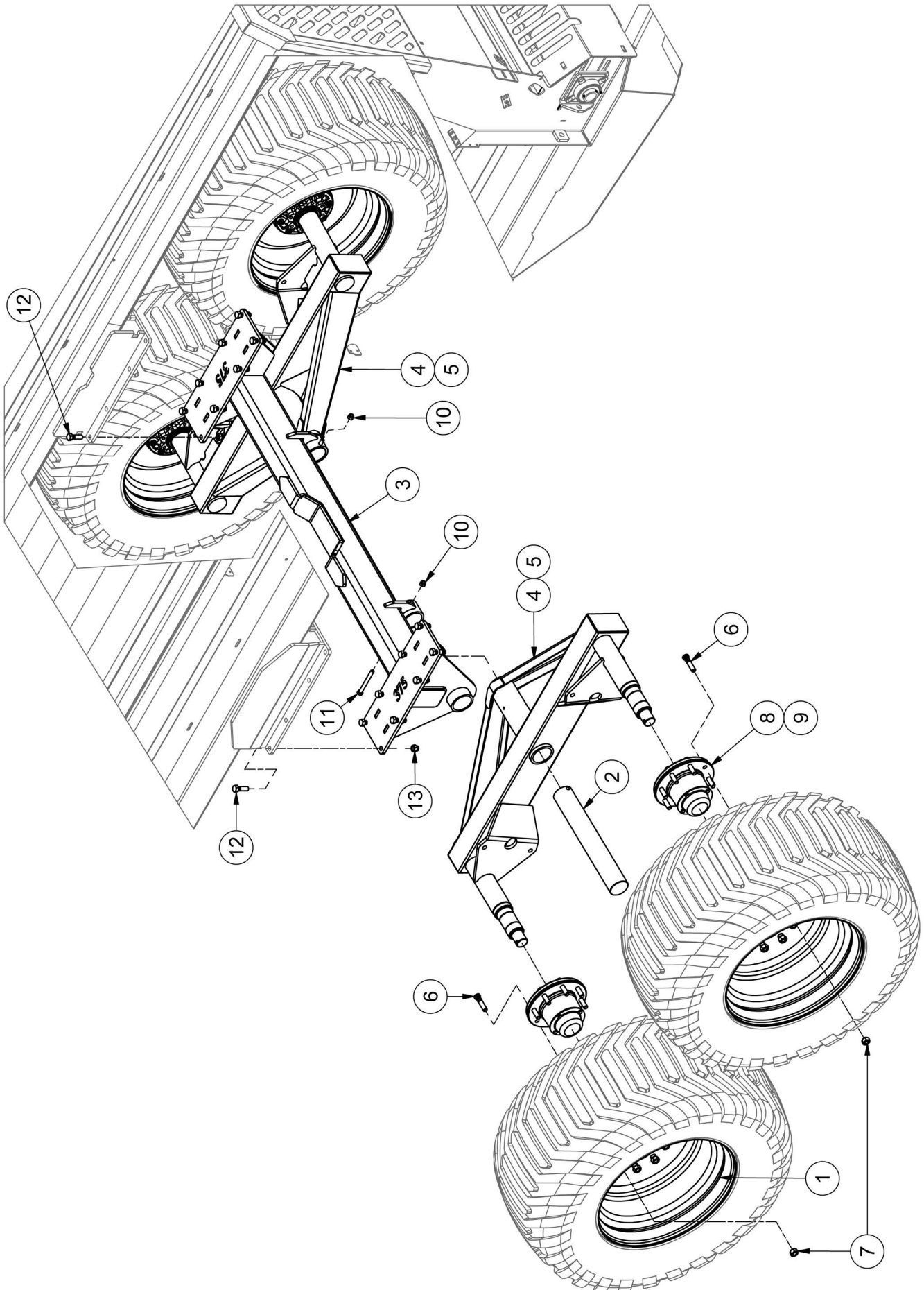
ITEM	QTY	PART NUMBER	DESCRIPTION	NOTE
1	2	25502	Walking Beam Pin, CRS 3.0	
2	4	400-429	Tandem Rim WHE 1622.5	
3	2	26042	325 Walking Beam w/o Brake Flanges	Incl. Items 4-8
4	1	48718	325 Walking Beam Weldment w/o Brake Flanges	Qty= 1 Walking Beam
5	2	HUB 12000	Spreader Hub Model 450-600 HUB12000	Qty= 1 Walking Beam
6	8	31531	F58-2625 Wheel Stud (12000 Lbs Hub)	Qty= 1 Walking Beam
7	8	31532	F58 Conenut	Qty= 1 Walking Beam
8	1	HUB 12000-CCS	Complete Bearing and Seals for HUB12000	Qty= 1 Walking Beam
9	2	HB1/2-20X4.5YZ8	Hex Bolt 1/2-20x4 1/2 Grade 8 Zinc Hex Cap Screw	
10	2	LN1/2-20NFZ5	Center Locknuts (1/2-20) 2-Way Fine Thread	

NOTE: Refer to [pg.2-34](#) for walking beams with brake flanges.

NITRO 375RS TIRE CHART		
Axle Type	Part Number	Tire Size
Single	WHE 600X65X34	600/65-34
Tandem	WHE 425X65X22.5L	425/22.5 Recap (Truck)
Tandem	WHE 550X45X22.5	550/45-22.5

NOTE: Refer to Nitro Operator's Manual for wheel load capacity charts.

Tandem Axle - SN 19NRS200 to Current



Tandem Axle - SN 19NRS200 to Current

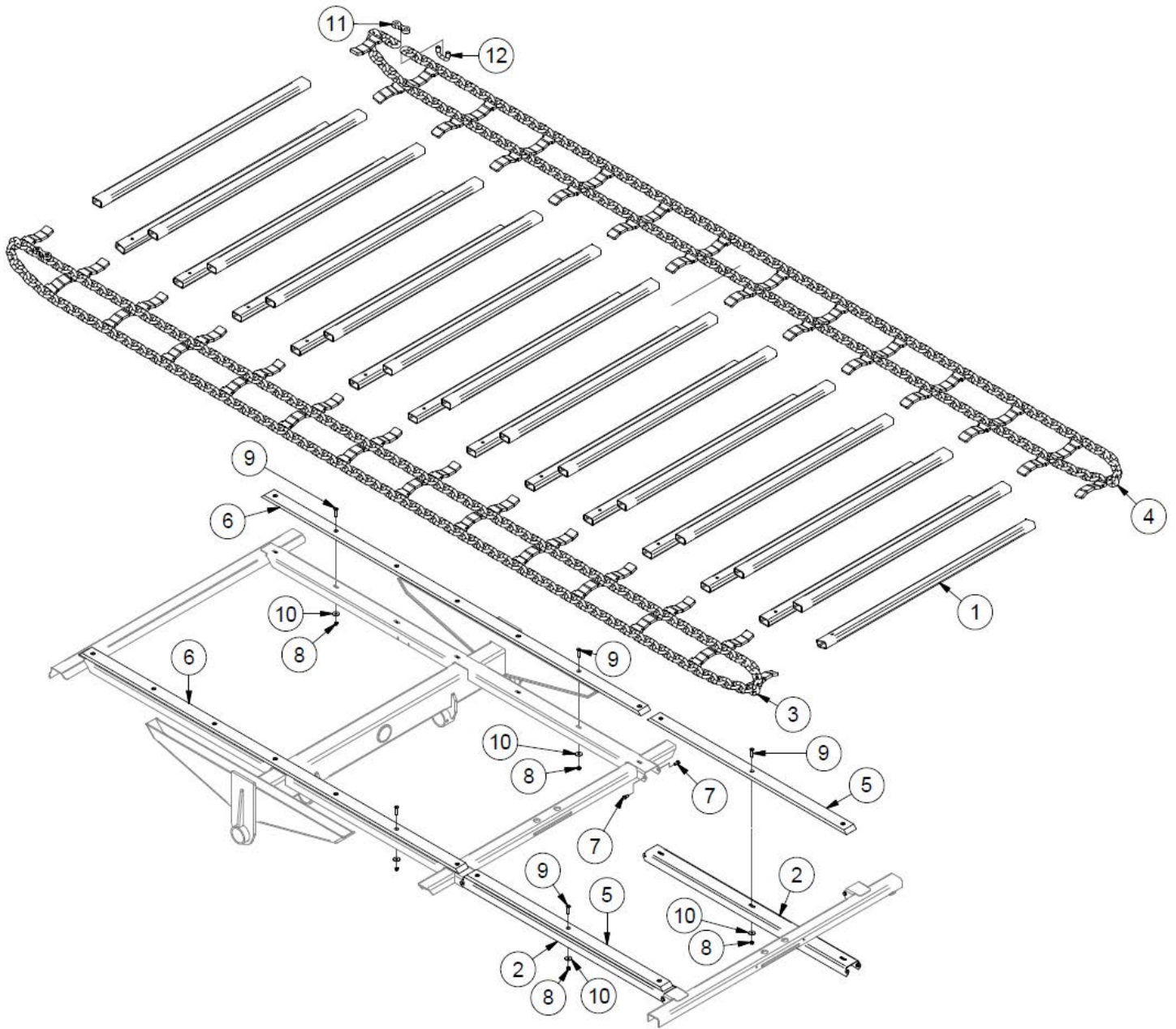
ITEM	QTY	PART NUMBER	DESCRIPTION	NOTE
1	4	400-429	Tandem Rim WHE 1622.5	
2	2	25502	Walking Beam Pin, CRS 3.0	
3	1	42759	375 Tandem Axle	
4	2	42855	325/308 Walking Beam w/2 Brake Flanges	Incl. Items 5-9
5	1	48717	325 Walking Beam Weldment w/ Brake Flanges	Qty= 1 Walking Beam
6	8	F58-225	Wheel Stud for 12000# Hub	Qty= 1 Walking Beam
7	8	F58-CONE NUT	Wheel Nut for 12000# Hub	Qty= 1 Walking Beam
8	2	HUB 12000	Spreader Hub Model 450-600 HUB12000	Qty= 1 Walking Beam
9	2	HUB 12000-CCS	Complete Bearing and Seals for HUB12000	Qty= 1 Walking Beam
10	2	LN1/2-20NFZ5	Center Locknuts (1/2-20) 2-Way Fine Thread	
11	2	HB1/2-20X4.5YZ8	Hex Bolt 1/2-20x4 1/2 Grade 8 Zinc Hex Cap Screw	
12	16	HB5/8-11X2Z5	Hex Bolt 5/8-11x2 Grade 5 Zinc Plated Hex Cap Screw	
13	16	LN5/8-11NCZ5	LN 5/8-11 Zinc Plated Nylon Insert Lock Nut	

NOTE: Refer to [pg.2-32](#) for walking beams without brake flanges.

NITRO 375RS TIRE CHART		
Axle Type	Part Number	Tire Size
Single	WHE 600X65X34	600/65-34
Tandem	WHE 425X65X22.5L	425/22.5 Recap (Truck)
Tandem	WHE 550X45X22.5	550/45-22.5

NOTE: Refer to Nitro Operator's Manual for wheel load capacity charts.

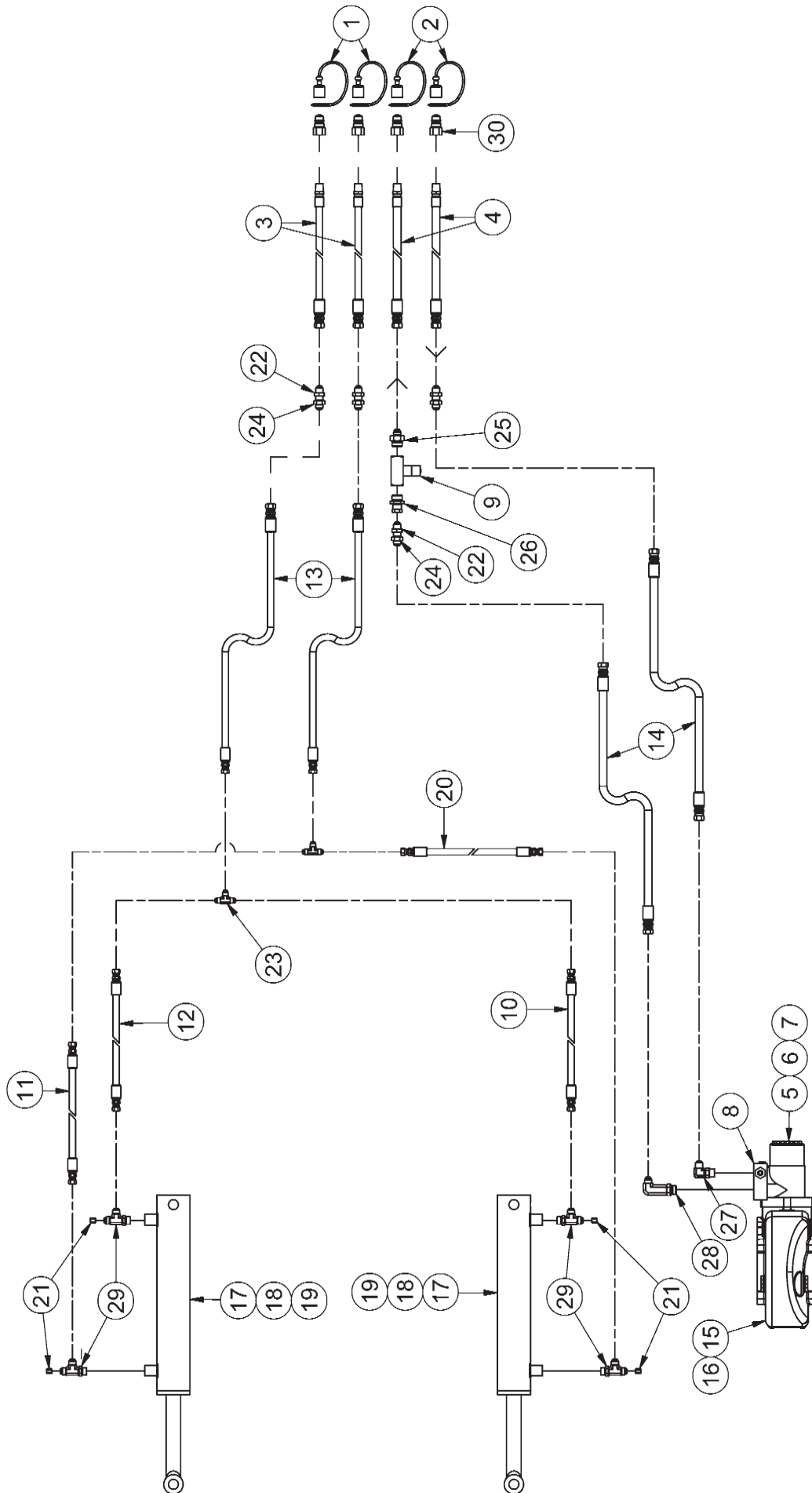
Apron Runners



Apron Runners

ITEM	QTY	PART NUMBER	DESCRIPTION
1	26	37820	Apron Slat
2	2	37588	Chain Return Slide
3	1	39375	Right Chain Side w/ Lugs
4	1	39391	Left Chain Side w/ Lugs
5	2	39388	Front Wear Board
6	2	39389	Rear Wear Board
7	8	HB 3/8-16X 3/4 Z5	Hex Bolt - 3/8-16 x 3/4" Grade 5 Zinc Plated Hex Cap Screw NC
8	20	LN 3/8 N	Locknuts - 3/8-16 Zinc Plated Nylon Insert Lock Nut
9	20	HB 3/8-16X1.3/4 FHSCS	Hex Bolt - 3/8-16 x 1 3/4" Flat Socket Head Cap Screw
10	20	FW 3/8	Flatwasher Plated, 3/8" Zinc Plated USS
11	2	400-890	Chain Connector Link Tab
12	2	400-889	Connector Link Rod

Hydraulic Layout



Hydraulic Layout

ITEM	QTY	PART NUMBER	DESCRIPTION	NOTE
1	2	22946-2	Dust Cap, 1/2", Female, Yellow Colour	
2	2	22946-4	Dust Cap, 1/2", Female, Red Colour	
3	2	30654	Hose - HH73- 6AT1(8FJXH-8MP HCL 73"	
4	2	30661	Hose - HH69- 8AT1(8FJXH-8MP) HCL69"	
5	1	30854	Hydraulic Motor - Spreaders	Standard
6	1	40718	Hydraulic Motor - Scale Speed Sensor	Scale Option Only
7	1	SK-SMRS-SK	Gearbox Motor Seal Kit	
8	1	30856	Hydraulic Cross Port Relief for Motor- Spreaders	
9	1	30857	Flow Control Valve - 3/4"	
10	1	31642	Hose - HH76- 6AT1(6FJX-6FJX) HCL 76"	
11	1	31643	Hose - HH81- 6AT1(6FJX-6FJX) HCL 81"	
12	1	31644	Hose - HH22- 6AT1(6FJX-6FJX) HCL 22"	
13	2	31648	Hose - HH295- 6AT1(8FJX-6FJX) HCL 295"	
14	2	31649	Hose - HH316- 8AT1(8FJX-8FJX) HCL 316"	
15	1	34001	Gear Box for Spreader Apron- RT420(N375)	Up to 22NRS274
16	1	49994	CNM350 Apron Gear Box	23NRS201 - Current
17	2	37344	Nitro 375 Gate Cylinder 2.0 x 48 x 1.5	
18	2	SKFH20-15	Seal Kit for 2" Cylinder Bore (Frankor) w/ 1.5" Rod	Up to 22NRS274
19	2	HYS-SK-4862 HYS	Hyspec Seal Kit	23NRS201 - Current
20	1	37871	Hose - HH125- 6AT1(6FJX-6FJX) HCL 125"	
21	4	HF 0304C-06	JIC #6 Cap	
22	4	HF 306-8	Hyd Fitting 1/2 Adjustable Locknut	
23	2	HF 2603-6-6-6	Male JIC Tee	
24	4	HF 2700LN-08-08	Hydraulic Fitting - MJIC to MJIC	
25	1	HF 6400-8-12	Hyd. Fitting	Replaces HF2404-8-12
26	1	HF 6402-12-8	Hyd. Fitting #12 Male O-Ring to #8 F JIC	Replaces HF6505-12-8
27	1	HF 6801-8-10	Hyd. Fitting - 1/2" JIC - 5/8" 90° Elbow	
28	1	HF 6801-8-10-LL	Hyd. Fitting - 1/2" JIC - 5/8" 90 Degree Elbow	
29	4	HF 6804-8-8-8	Hydraulic Tee Fitting	
30	4	HF 8010-4	Quickcoupler 1/2" Male Tip	

Intentionally Left Blank

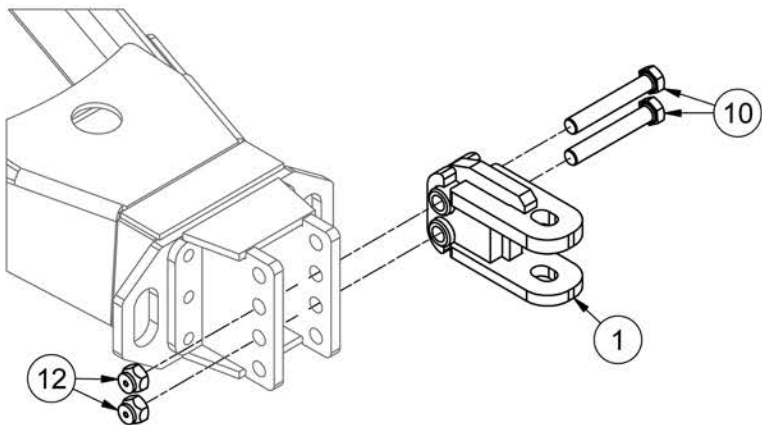
Section 3 - Optional Features

Optional Kit Numbers

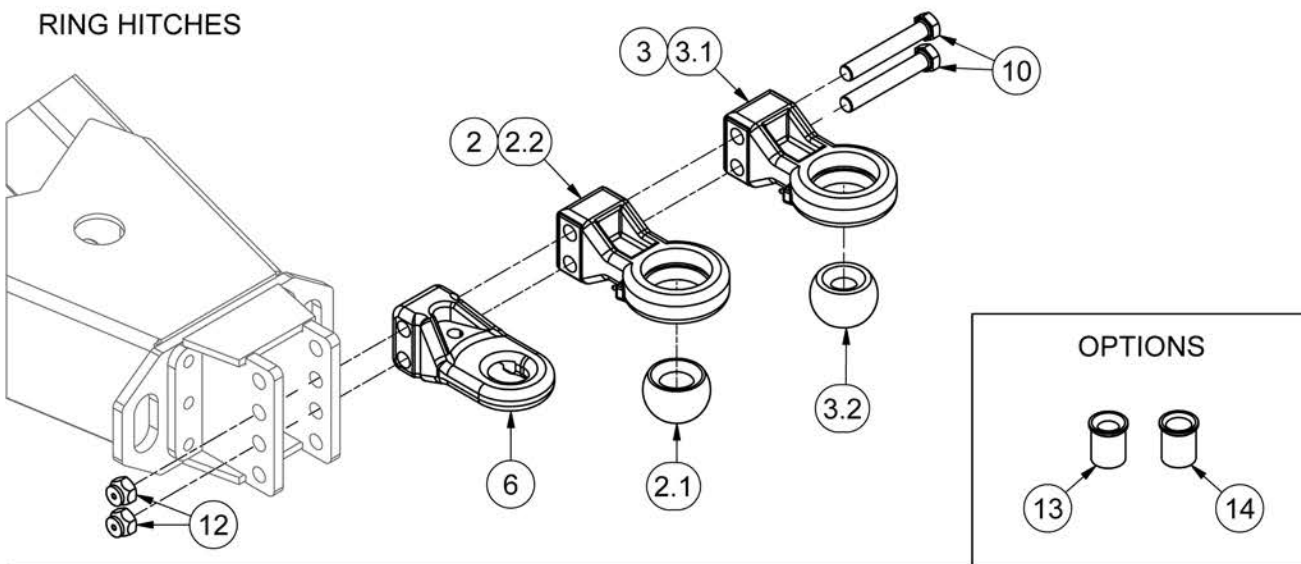
KIT NUMBER	DESCRIPTION	PAGE(S)	NOTE
	Hitches	Pg.3-2,3	
43622	Mechanical Light Kit	Pg.3-4/7	
TLVLK-375M	Manual Light Kit		
	Light Kit Base	Pg.3-8,9	
	Manual Light Kit	Pg.3-10	
	Wiring Harness	Pg.3-14,15	
TLVLK-375	Hydraulic Light Kit		
	Light Kit Base	Pg.3-8,9	
	Hydraulic Light Kit Cylinders	Pg.3-11	
	Hydraulic Light Kit Hoses	Pg.3-12,13	
	Wiring Harness	Pg.3-14,15	
N375SB	Single Axle Brake Kit	Pg.3-16	
N375TB	Tandem Axle Brake Kit	Pg.3-17	
N750LC	5 Point Scale System	Pg.3-18	
N750LCNT460	5 Point Scale System with GPS	Pg.3-18	
N750LCNT8000	Automatic Scale Rate Control Base System	Pg.3-19	
	Flow Control Mounting	Pg.3-20	
31797	Electric Flow Control		
	Flow Control Hydraulic Layout - Electric	Pg.3-22,23	
	Electric Flow Control Wiring	Pg.3-24,25	
31578	Manual Flow Control		
	Flow Control Hydraulic Layout - Manual	Pg.3-21	
45861	Endgate Indicator Kit	Pg.3-26,27	

Hitch Options

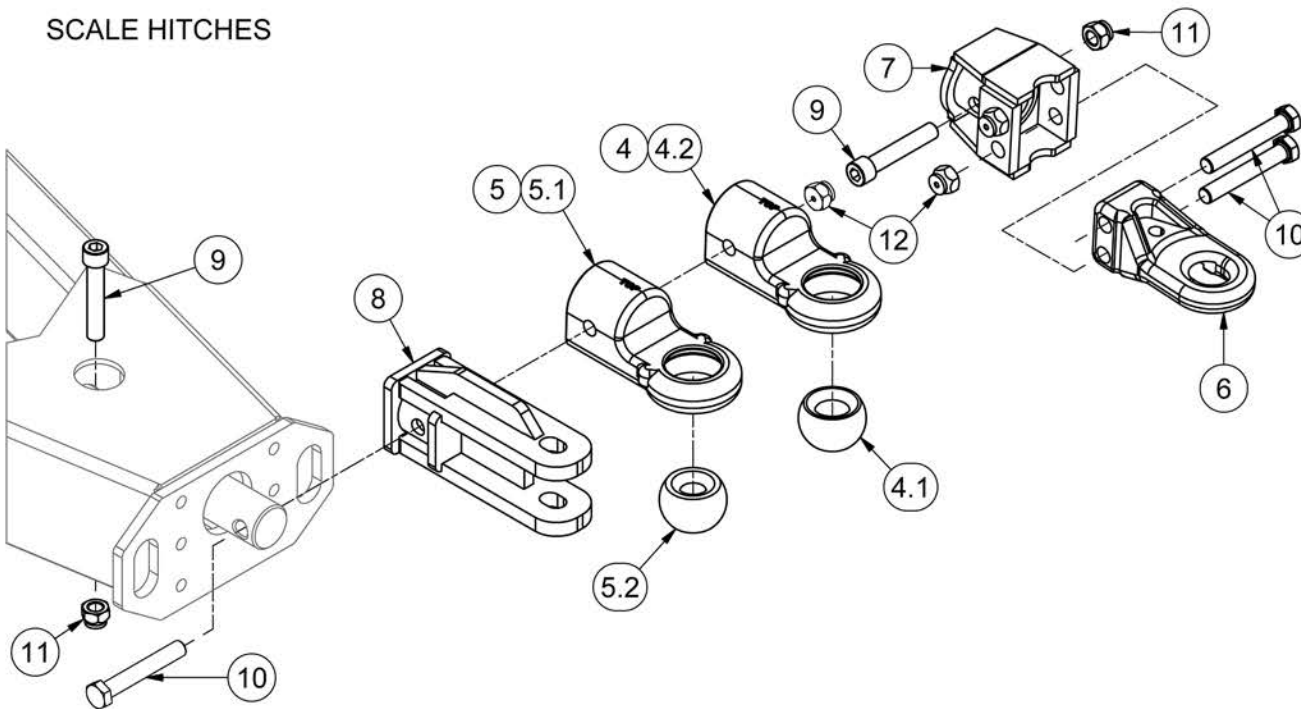
CLEVIS HITCH



RING HITCHES



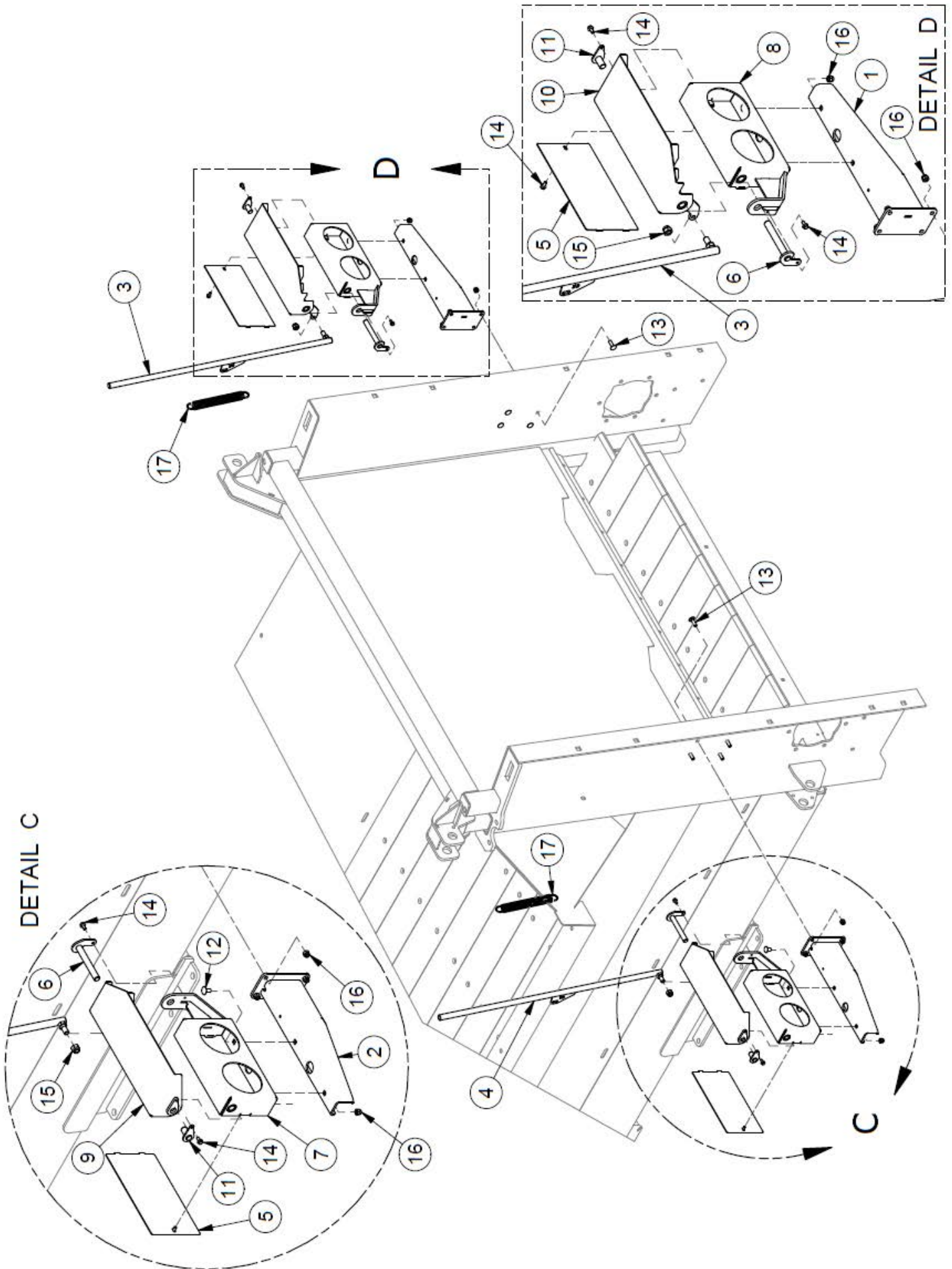
SCALE HITCHES



Hitch Options

ITEM	QTY	PART NUMBER	DESCRIPTION	WHERE USED	NOTE
1	1	40471	Clevis Hitch Weldment	Up to N575RS	Standard - Replaces 30826
2		39290	Power Pin Cat 3 Ball Hitch Assembly 2" Pin	All Models	Option
2.1	1	39291	Power Pin 2" Ball Cat.3 Hitch		
2.2	1	44994	Power Pin Cat.3 Ball Hitch Base		
3		40865	Power Pin Cat 3 Ball Hitch Assembly 1.5" Pin	All Models	Option
3.1	1	44994	Power Pin Cat.3 Ball Hitch Base		
3.2	1	39994	Power Pin 1.5" Ball Cat.3 Hitch		
4		41956	Rollover Ball Hitch 2.0" ID Cat.4	All Models	Requires Scale Option
4.1	1	39291	Power Pin 2" Ball Hitch		Category 3 & 4
4.2	1	45033	Articulating Ball Hitch Base		
5		45034	Rollover Ball Hitch 1.5" ID Cat.4	All Models	Requires Scale Option
5.1	1	45033	Articulating Ball Hitch Base		
5.2	1	39994	Power Pin 1.5" Ball Cat.3 Hitch		
6		32853	Cat.4 Hitch Base	N600 - N1050	Standard - Replaces 43060
7	1	36241	Cell Hitch		Requires Scale Option
8	1	42550	Cell Clevis Hitch	275RS - 575RS	Requires Scale Option
9		SHCS1-8X5.5	Hex Bolt - 1-8 x 5 1/2 Socket Head Cap Screw		
10		HB1-14X6.5YZ8	Hex Bolt 1-14x6 1/2 Grade 8 Zinc Hex Cap Screw		
11		LN1-8NCZ5	LN 1-8 Zinc Plated Nylon Insert Lock Nut		
12		LN1-14NFZ5	Center Locknuts (1-14) 2-Way Fine Thread		
13	1	45826	Hitch Insert Bushing (2.0"-1.25")	Optional	Requires hitch with 2" Ball
14	1	45827	Hitch Insert Bushing (2.0"-1.5")	Optional	Requires hitch with 2" Ball

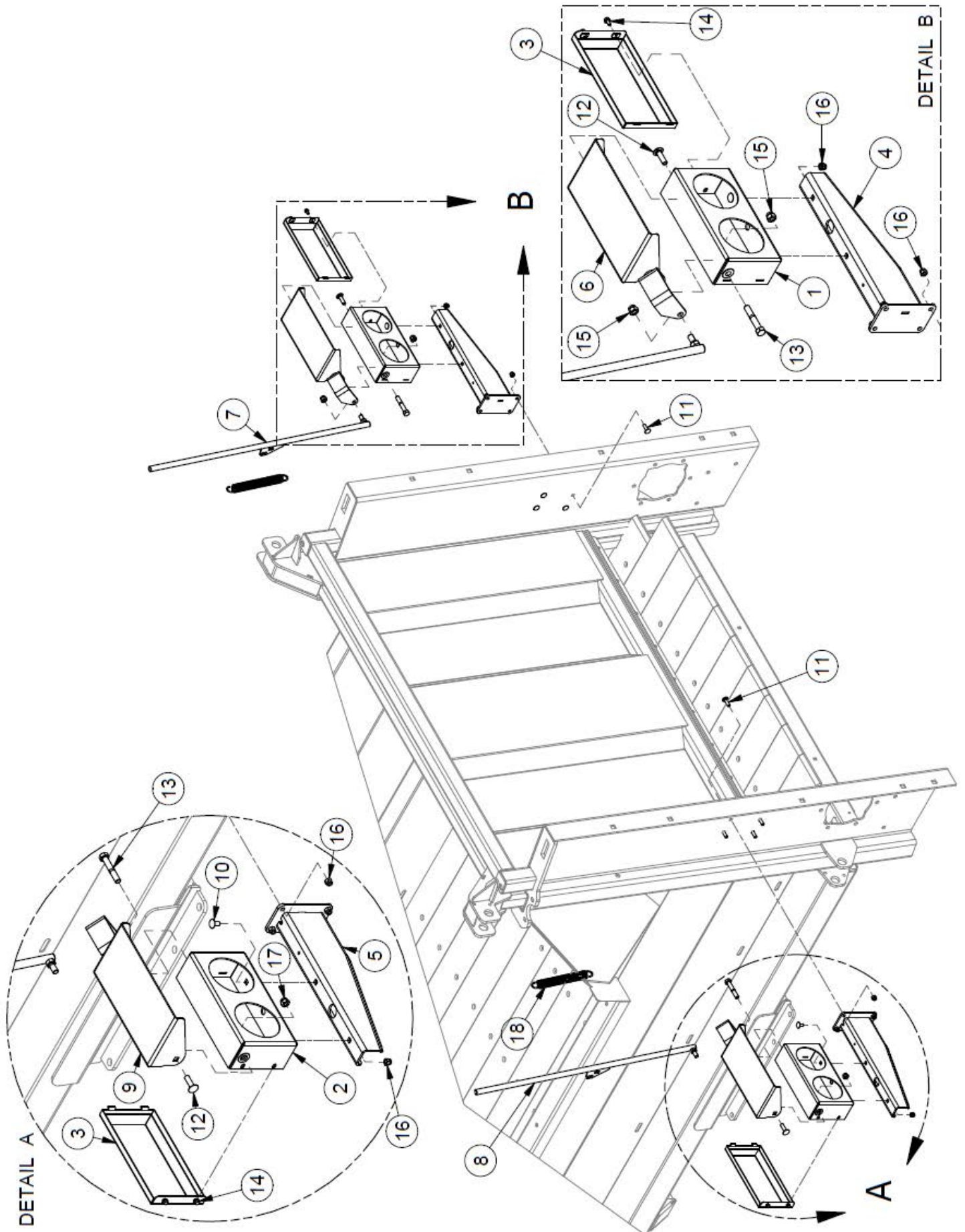
Mechanical Light Kit (43622) - SN 19NRS200 to Current



Mechanical Light Kit (43622) - SN 19NRS200 to Current

ITEM	QTY	PART NUMBER	DESCRIPTION
1	2	42139	Right Light Bracket
2	2	42140	Left Light Bracket
3	1	42151	Right Manual Light Push Arm
4	1	42152	Left Manual Light Push Arm
5	2	43178	Light Box Cover
6	2	43204	Inner Pin
7	1	43206	Left Light Box
8	1	43207	Right Light Box
9	1	43208	Left Light Cover
10	1	43209	Right Light Cover
11	2	43213	Outer Pin
12	4	CB 3/8-16 X0.75 Z5	Carriage Bolt - 3/8-16 x 3/4" Grade 5 Zinc
13	8	CB 3/8-16 X1.25 Z5	Carriage Bolt - 3/8-16 x 1 1/4" Grade 5 Zinc
14	4	HBC1/4X0.5	Hex Bolt Cerrated 1/4-20 x 1/2 Zinc Flange Bolt
15	2	LN 1/2 N	LN 1/2-13 Zinc Plated Nylon Insert Lock Nut
16	12	LN 3/8 N	LN 3/8-16 Zinc Plated Nylon Insert Lock Nut
17	2	PP00679	Spring 2-TE 86B (AC-08044, AC-08036)

Mechanical Light Kit (43622) - Up to SN 18NRS254

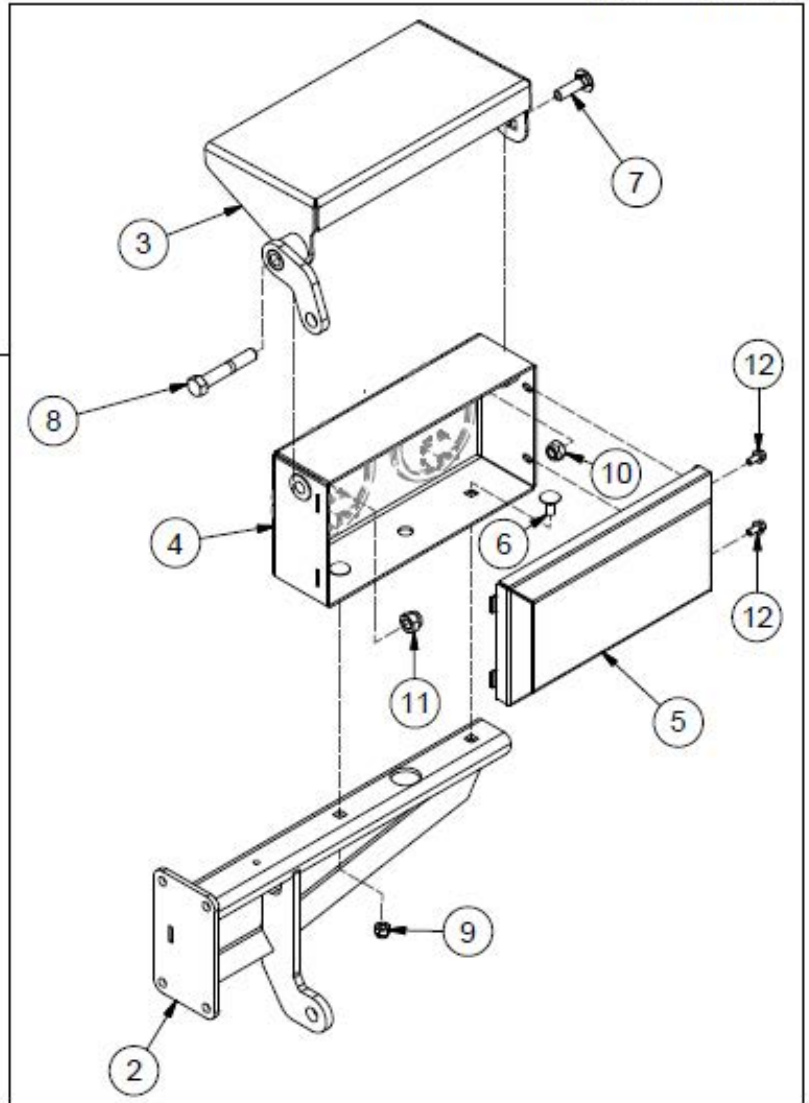


Mechanical Light Kit (43622) - Up to SN 18NRS254

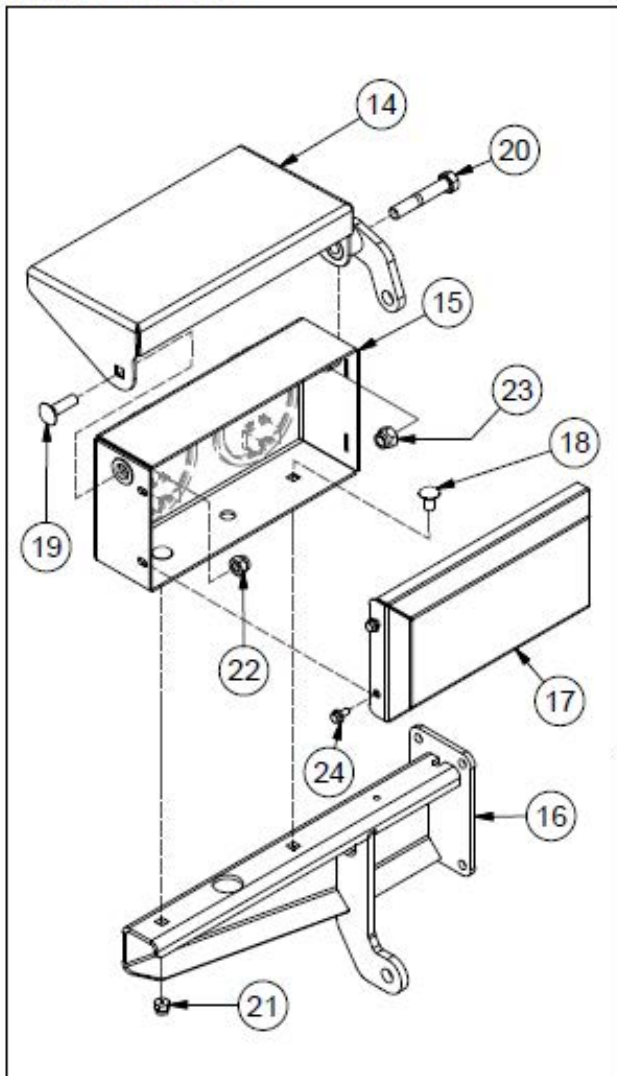
ITEM	QTY	PART NUMBER	DESCRIPTION
1	1	400-356	Right Light Housing
2	1	400-940	Left Light Housing
3	2	400-943	Light Housing Lid
4	2	42139	Right Light Bracket
5	2	42140	Left Light Bracket
6	1	42149	Left Light Cover
7	1	42151	Right Manual Light Push Arm
8	1	42152	Left Manual Light Push Arm
9	1	42153	Right Light Cover
10	8	CB 3/8-16 X0.75 Z5	Carriage Bolt - 3/8-16 x 3/4" Grade 5 Zinc
11	8	CB 3/8-16 X1.25 Z5	Carriage Bolt - 3/8-16 x 1 1/4" Grade 5 Zinc
12	2	CB 7/16-14 X1.5 Z5	Carriage Bolt - 7/16-14 x 1 1/2" Grade 5 Zinc
13	2	HB 1/2-13X3 Z5	Hex Bolt 1/2-13x3 Grade 5 Zinc Plated Hex Cap Screw
14	10	HBC1/4X0.5	Hex Bolt Cerrated 1/4-20 x 1/2 Zinc Flange Bolt
15	2	LN 1/2 N	LN 1/2-13 Zinc Plated Nylon Insert Lock Nut
16	12	LN 3/8 N	LN 3/8-16 Zinc Plated Nylon Insert Lock Nut
17	2	LN 7/16 N	LN 7/16-14 Zinc Plated Nylon Insert Lock Nut
18	2	PP00679	Spring 2-TE 86B (AC-08044, AC-08036)

Lights - Up to SN 18NRS244

Item 1 - 400-850



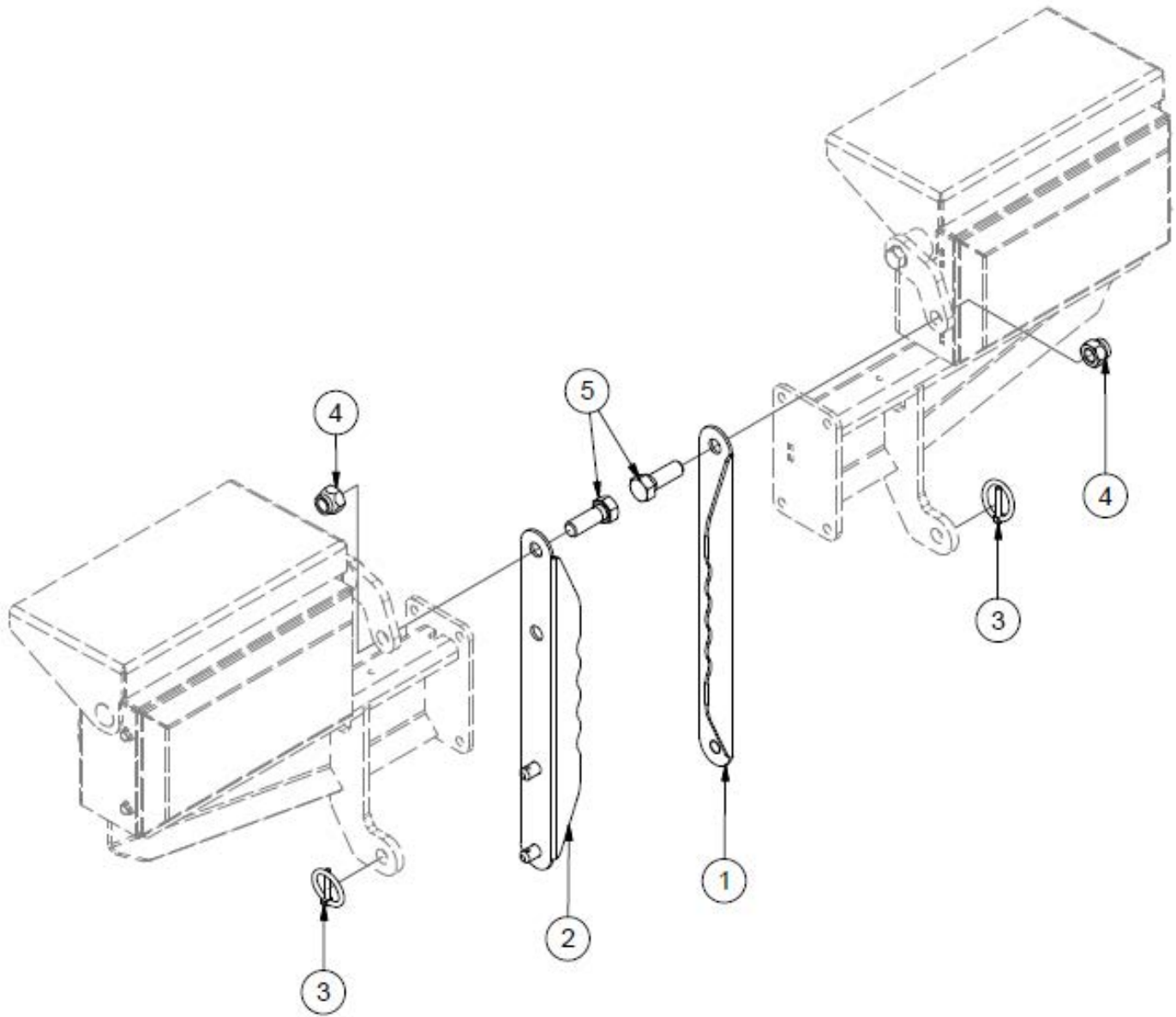
Item 13 - 400-855



Lights - Up to SN 18NRS244

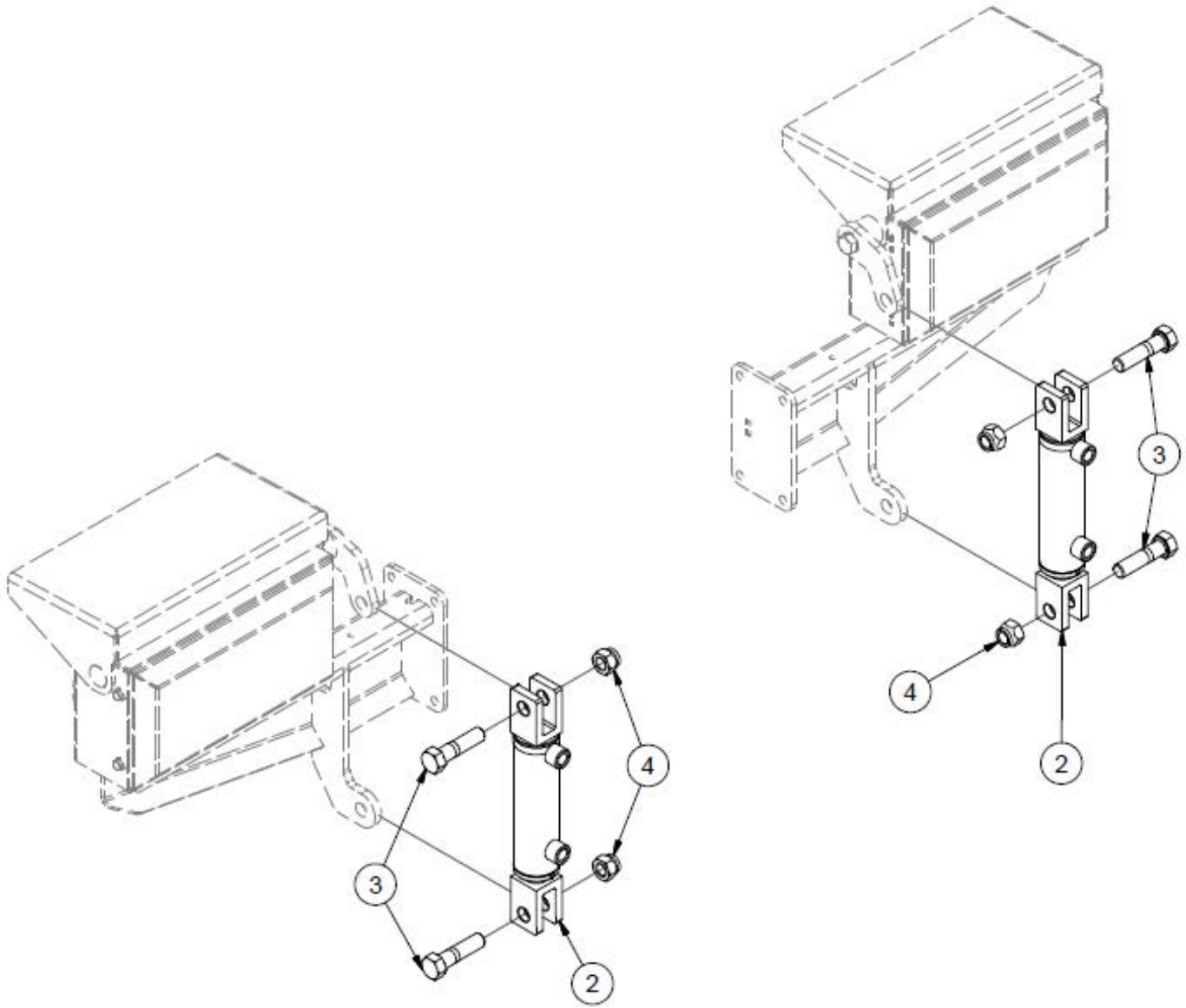
ITEM	QTY	PART NUMBER	DESCRIPTION
1	1	400-850	Left Light Assembly
2	1	400-354	Left Light Mount Bar
3	1	400-939	Left Light Cover
4	1	400-940	Left Light Housing
5	1	400-943	Light Housing Lid
6	2	CB 3/8-16X 3/4 Z5	Carriage Bolt - 3/8-16 x 3/4" Grade 5 Zinc
7	1	CB 7/16-14X1.1/2 Z5	Carriage Bolt - 7/16-14 x 1 1/2" Grade 5 Zinc
8	1	HB 1/2-13X3.0 Z5	Hex Bolt 1/2-13 x 3" Grade 5 Zinc Plated Hex Cap Screw NC
9	2	LN 3/8 N	Locknuts - 3/8-16 Zinc Plated Nylon Insert Lock Nut
10	1	LN 7/16	Center Locknuts - 7/16-14 Top Lock Nut
11	1	LN 1/2 N	Locknuts - 1/2-13 Zinc Plated Nylon Insert Lock Nut
12	2	HBC14X12	Hex Bolt 1/4-20 x 1/2 Grade 8.2 Zinc Flange Bolt SAE
13	1	400-855	Right Light Assembly
14	1	400-355	Right Light Cover
15	1	400-356	Right Light Housing
16	1	400-941	Right Light Mounting Bar
17	1	400-943	Light Housing Lid
18	2	CB 3/8-16X 3/4 Z5	Carriage Bolt - 3/8-16 x 3/4" Grade 5 Zinc
19	1	CB 7/16-14X1.1/2 Z5	Carriage Bolt - 7/16-14 x 1 1/2" Grade 5 Zinc
20	1	HB 1/2-13X3.0 Z5	Hex Bolt 1/2-13 x 3" Grade 5 Zinc Plated Hex Cap Screw NC
21	2	LN 3/8 N	Locknuts - 3/8-16 Zinc Plated Nylon Insert Lock Nut
22	1	LN 7/16	Center Locknuts - 7/16-14 Top Lock Nut
23	1	LN 1/2 N	Locknuts - 1/2-13 Zinc Plated Nylon Insert Lock Nut
24	2	HBC14X12	Hex Bolt 1/4-20 x 1/2 Grade 8.2 Zinc Flange Bolt SAE

Manual Light Kit - Up to SN 18NRS244



ITEM	QTY	PART NUMBER	DESCRIPTION
	1	37773	Manual Light Kit Assembly
1	1	37771	Left Light Lid Link
2	1	37772	Right Light Lid Link
3	2	25680	Lynch Pin 3/16 x 1.5
4	2	LN 5/8 N	Locknut - 5/8-11 Zinc Plated Nylon Insert Lock Nut
5	2	HB 5/8-11X1.3/4 Z5	Hex Bolt - 5/8"-11 x 1-3/4" Grade 5 Zinc Plated Hex Cap Screw NC

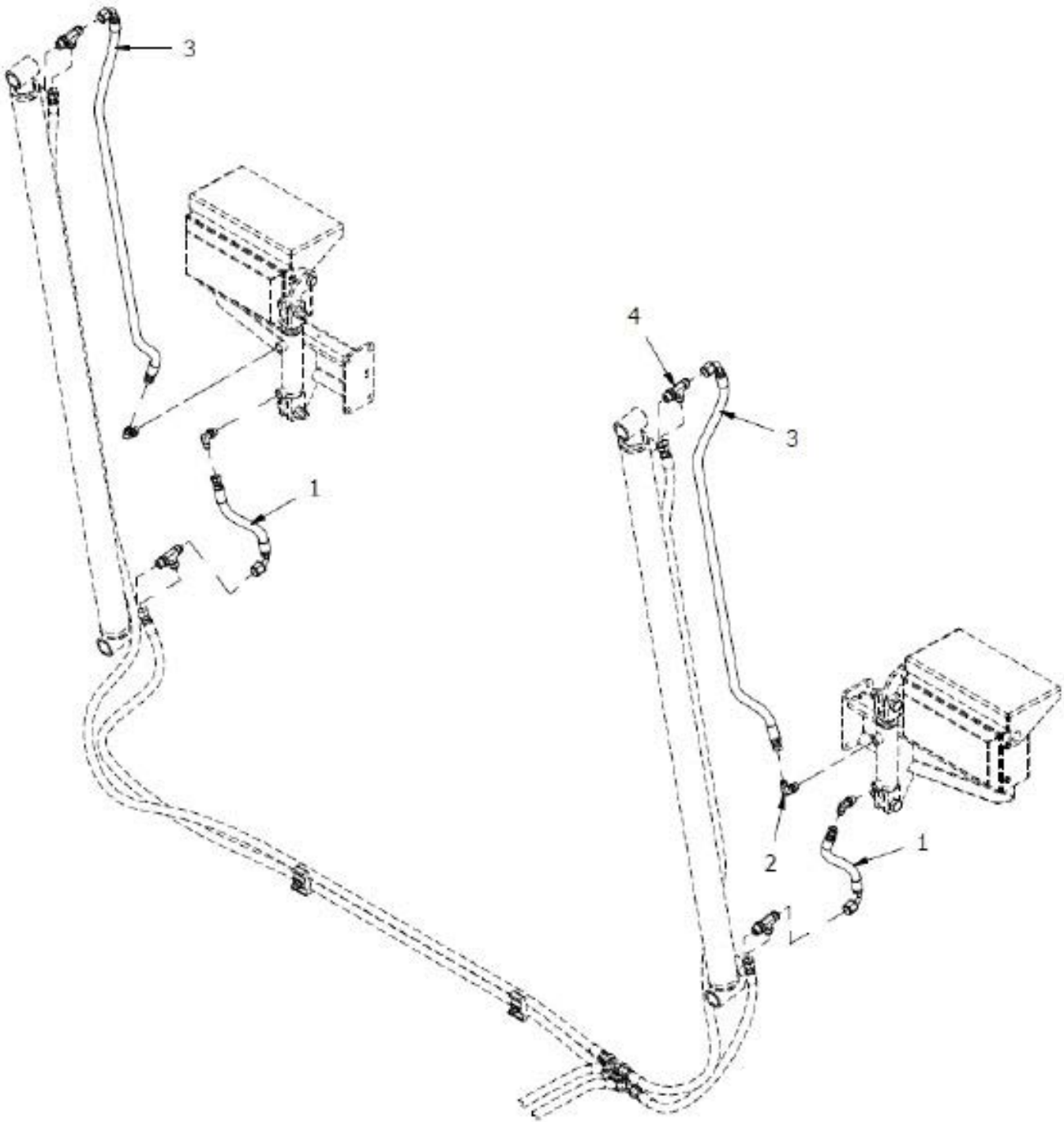
Hydraulic Light Kit - Up to SN 18NRS244



ITEM	QTY	PART NUMBER	DESCRIPTION
1	1	37768	Complete Hydraulic Kit*
2	2	31326	Hydraulic Cylinder
3	4	HB 5/8-11X2.1/2 Z5	Hex Bolt 5/8-11 x 2 1/2" Grade 5 Zinc Plated Hex Cap Screw NC
4	4	LN 5/8 N	Locknut - 5/8-11 Zinc Plated Nylon Insert Lock Nut

*Includes hose kit on [pages 3-10,11](#).

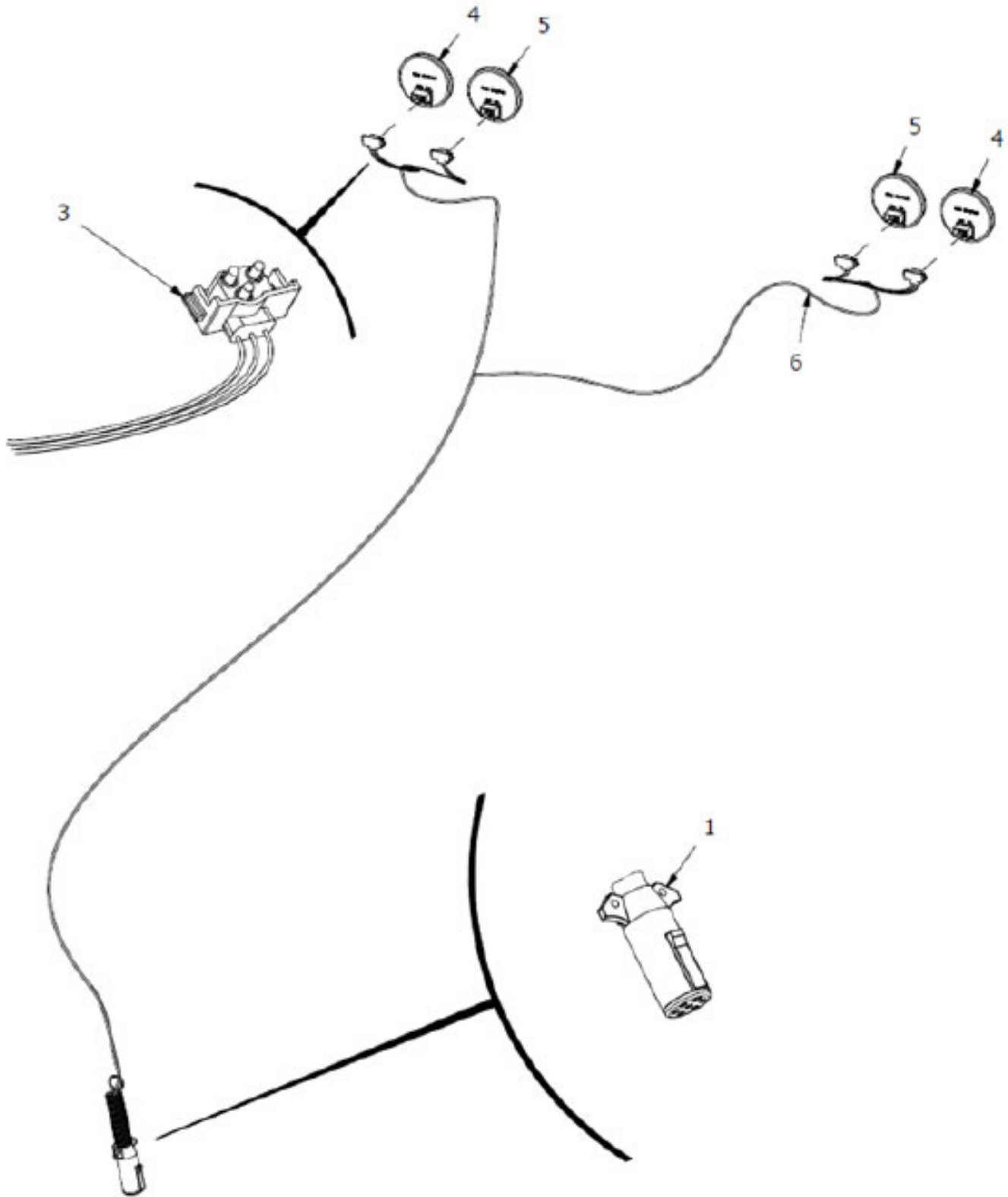
Light Kit Hydraulics - Up to SN 18NRS244



Light Kit Hydraulics - Up to SN 18NRS244

ITEM	QTY	PART NUMBER	DESCRIPTION
1	2	30802	3/8 Hose - 59" (FJX-6, FJX90-6-6)
2	4	HF 6801-6-6	Hydraulic Fitting
3	2	30801	3/8 Hose - 10" (FJX-6, FJX90-6-6)
4	4	HF 6804-6-6	Hydraulic Fitting

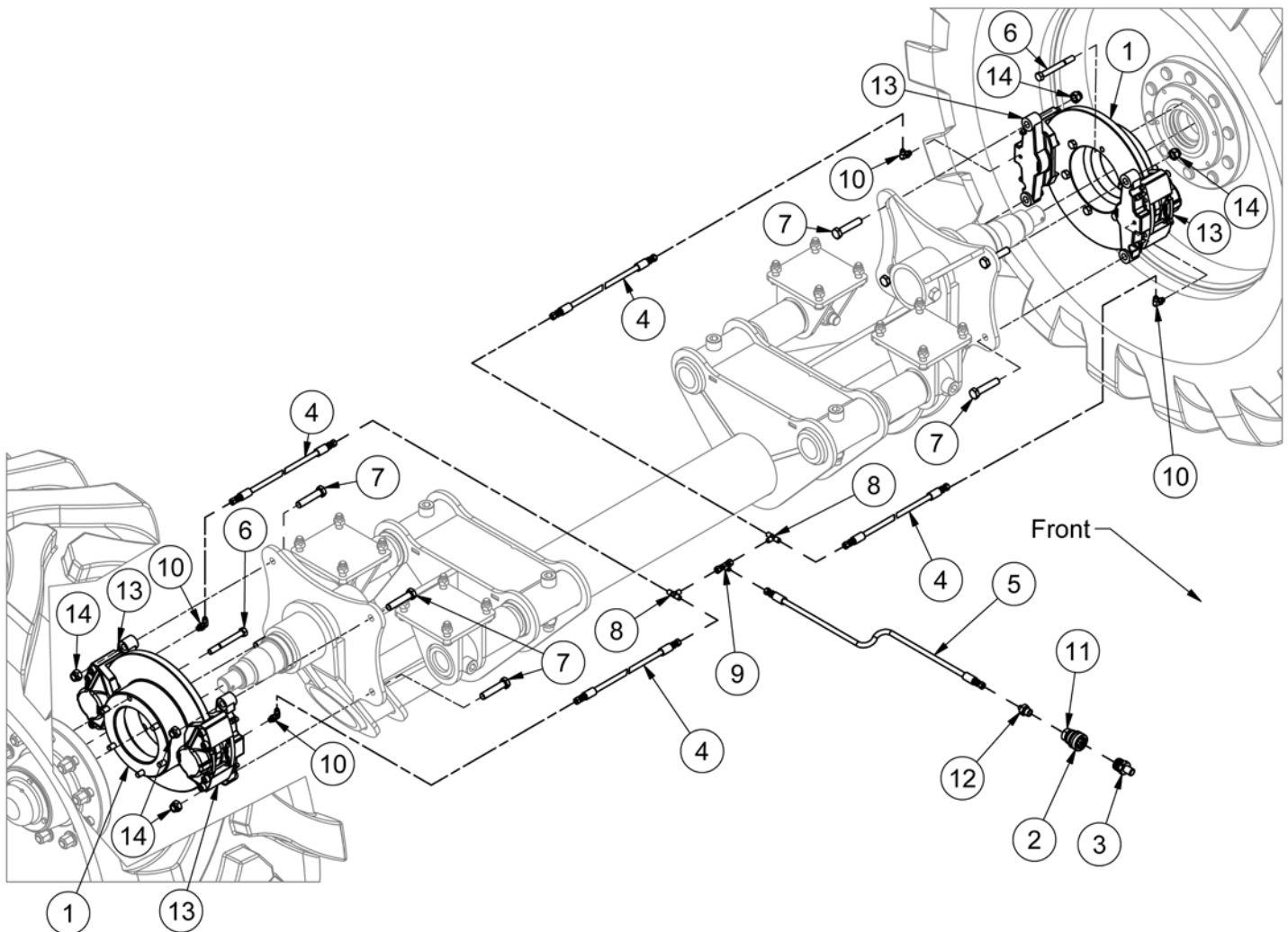
Light Kit Wiring Harness



Light Kit Wiring Harness

ITEM	QTY	PART NUMBER	DESCRIPTION
1	1	TL550-200-117	Female 7 Pin Plug
	4	31798	Light Grommet
3	4	31790	Individual Light Wiring
4	2	31788	Red Tail Light
5	2	31789	Amber Tail Light
6	1	36924	Light Wiring Harness
	1	31573	Complete Wiring Kit

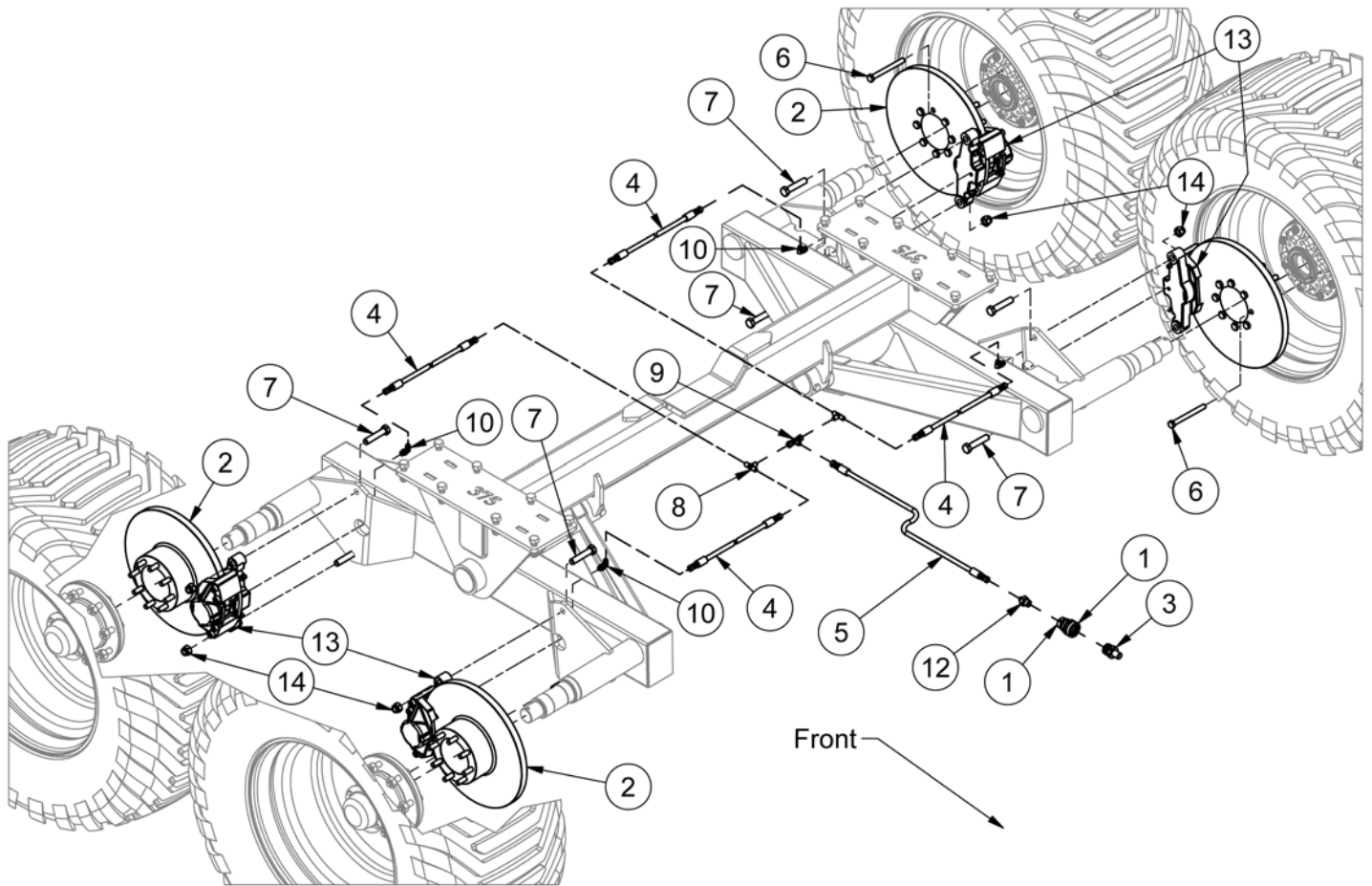
N375SB - Single Axle Brake Kit



*Scale ready axle shown.

ITEM	QTY	PART NUMBER	DESCRIPTION	NOTE
1	2	31773	Rotor for 16000# Hub - 9 Bolt	
2	1	36022	Hyd. Quick Coupler- Female- For Nitro Brakes	Inc. Item 11
3	1	37846	Hyd. Quick Coupler- Male- For Nitro Brakes	
4	4	39502	Hose - HH64 4AT1(4G4FJX,4G4FJX)HCL64"	
5	1	46236	Hose - HH444 4AT1(4G4FJX,4G4FJX) HCL444"	
6	18	HB 1/2-20X4.5 Z5	Hex Bolt 1/2-20x4 1/2 Grade 5 Zinc Plated Hex Cap Screw	
7	8	HB 5/8-18 X3 YZ8	Hex Bolt 5/8-18x3 Grade 8 Zinc Hex Cap Screw	
8	2	HF 2603-4	Hydraulic Fitting - Male JIC Tee	
9	1	HF 6603-4-4-4	T- Fitting JIC	
10	4	HF 6801-4-4	Hydraulic Fitting - 90° O-Ring to JIC	
11	1	HF 9500-18MM	Metric Thread Bonded Seal	
12	1	HF 9606-04-S18	Hydraulic Adaptor - 1/4" JIC/M18-1.5	
13	4	LA-11-1527	16000# Caliper	
14	8	LN 5/8 F	Center Locknuts (5/8-18) 2-Way Fine Thread	

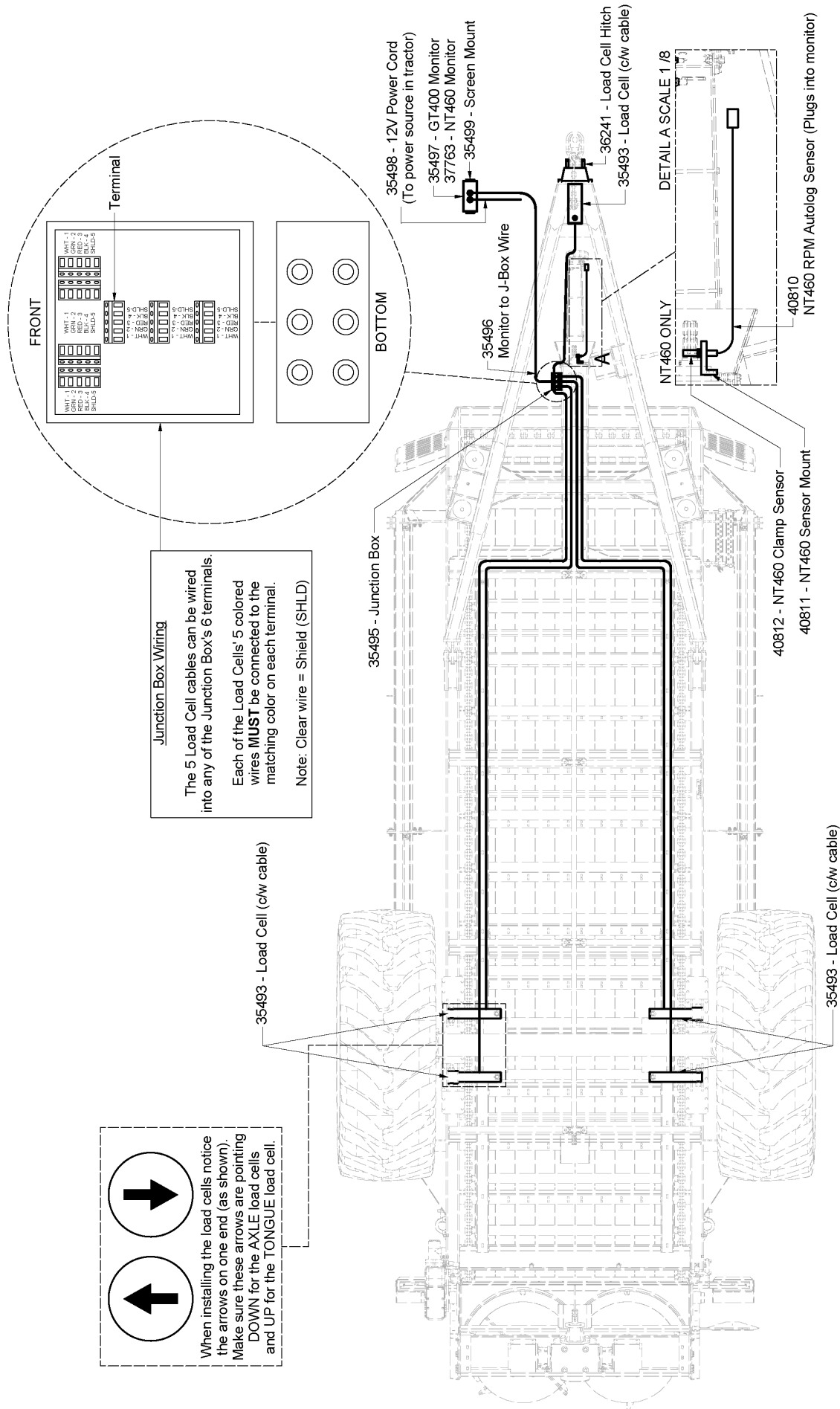
N375TB - Tandem Axle Brake Kit



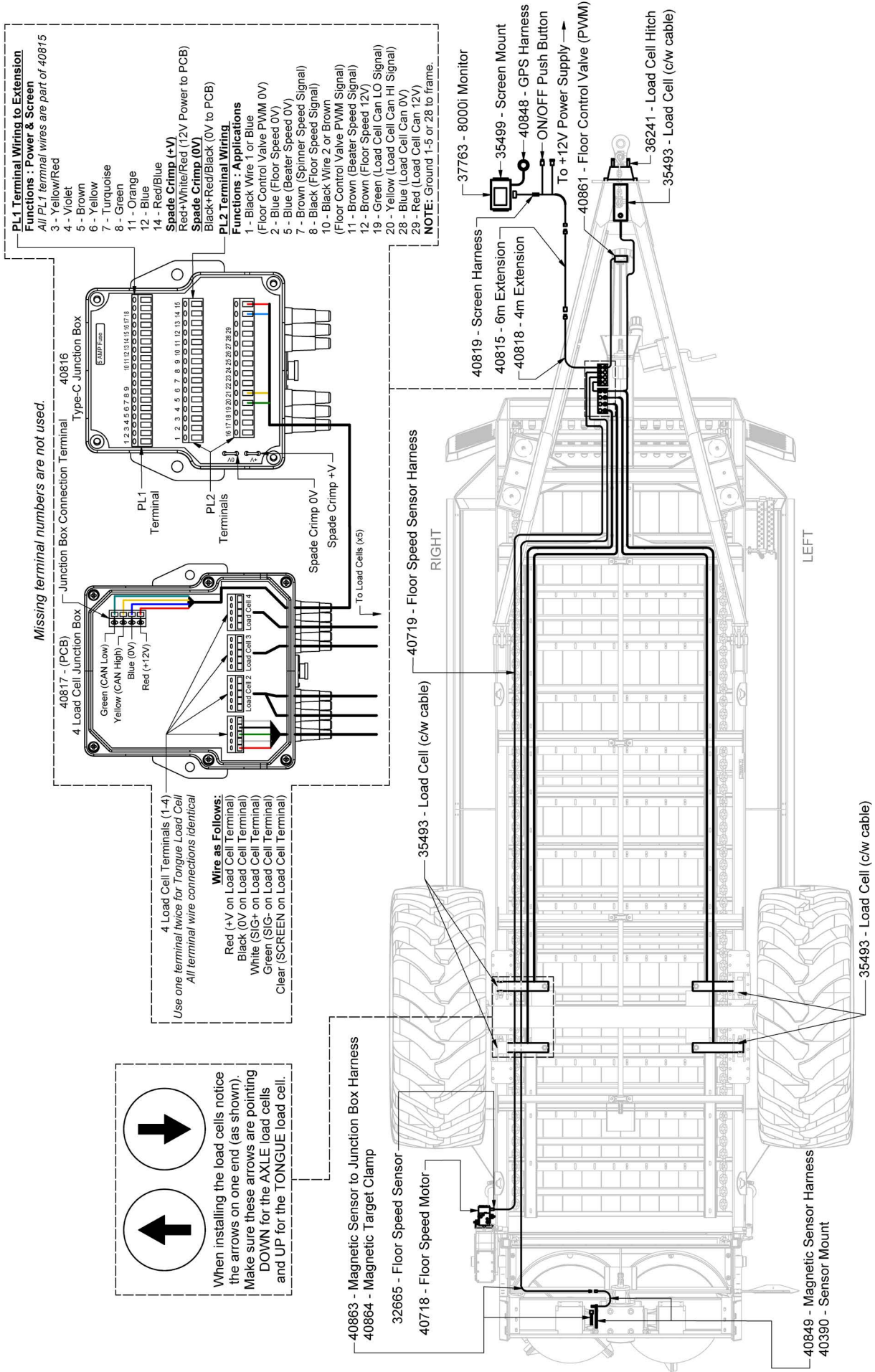
*Non scale ready axle shown.

ITEM	QTY	PART NUMBER	DESCRIPTION	NOTE
1	1	36022	Hyd. Quick Coupler- Female- For Nitro Brakes	Inc. Item 11
2	4	36042	12000# Hub Rotor	
3	1	37846	Hyd. Quick Coupler- Male- For Nitro Brakes	
4	4	39502	Hose - HH64 4AT1(4G4FJX,4G4FJX)HCL64"	
5	1	46236	Hose - HH444 4AT1(4G4FJX,4G4FJX) HCL444"	
6	32	HB 1/2-20 X5 YZ8	Hex Bolt 1/2-20x5 Grade 8 Zinc Hex Cap Screw	
7	8	HB 5/8-18 X3 YZ8	Hex Bolt 5/8-18x3 Grade 8 Zinc Hex Cap Screw	
8	2	HF 2603-4	Hydraulic Fitting - Male JIC Tee	
9	1	HF 6603-4-4-4	T- Fitting JIC	
10	4	HF 6801-4-4	Hydraulic Fitting - 90° O-Ring to JIC	
11	1	HF 9500-18MM	Metric Thread Bonded Seal	
12	1	HF 9606-04-S18	Hydraulic Adaptor - 1/4" JIC/M18-1.5	
13	4	LA-11-1527	16000# Caliper	
14	8	LN 5/8 F	Center Locknuts (5/8-18) 2-Way Fine Thread	

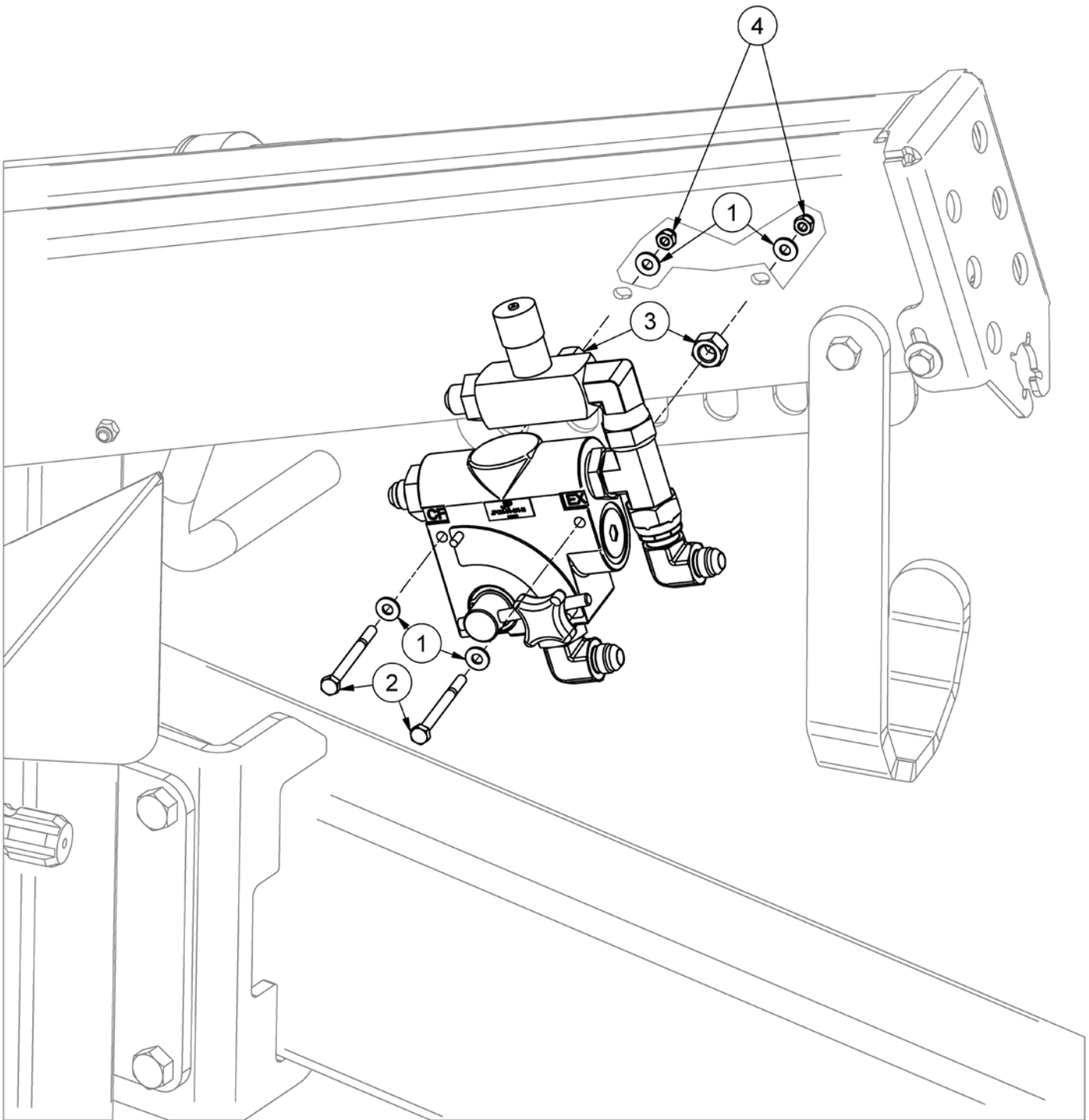
N750LC (GT400) / N750LCNT460 Scales



N750LCNT8000 Scales



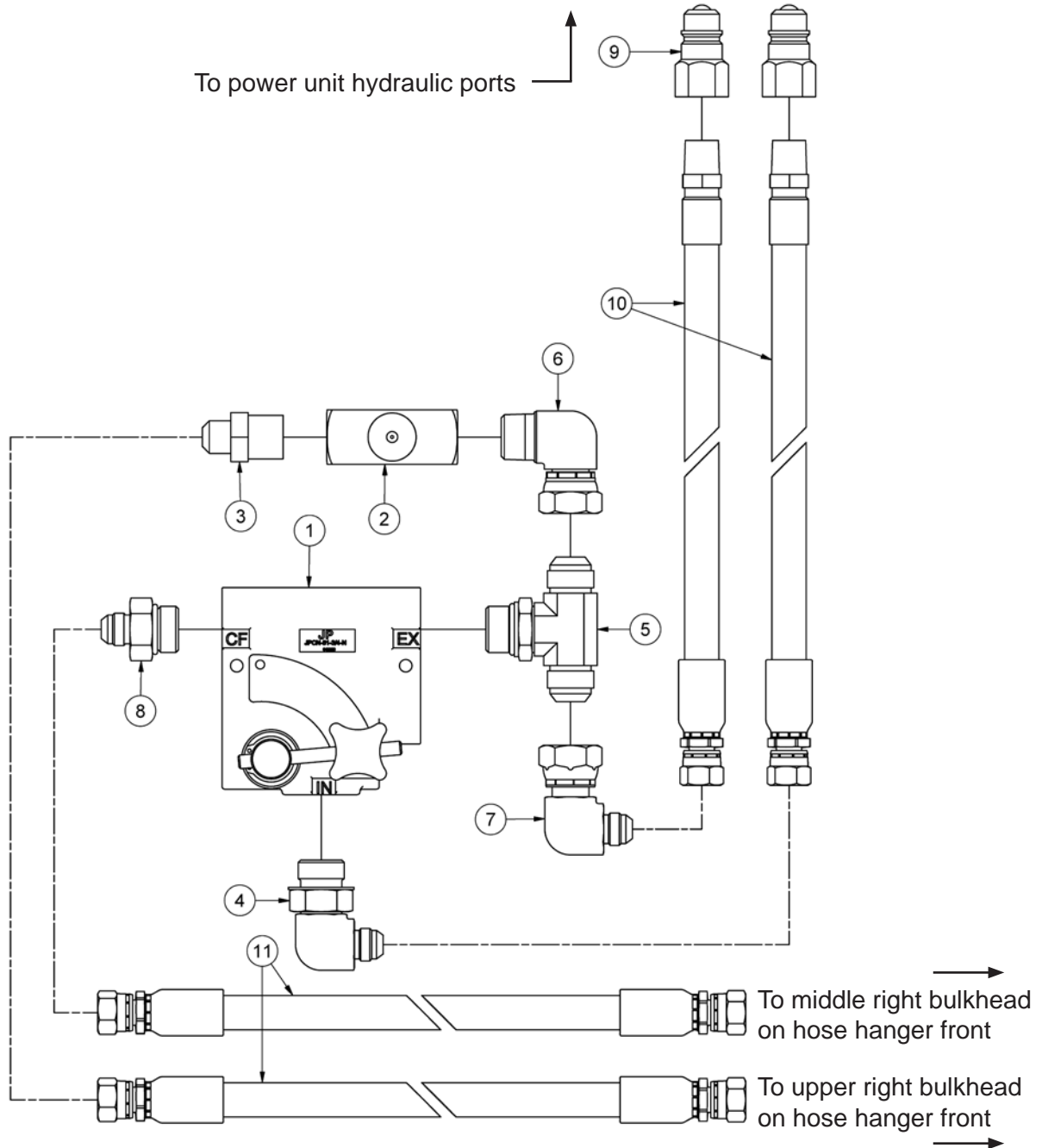
Flow Control Mounting



ITEM	QTY	PART NUMBER	DESCRIPTION
1	4	FW 1/4	Flatwasher - 1/4" Zinc Plated USS
2	2	HB 1/4-20X3 Z5	Hex Bolt 1/4-20x3 Grade 5 Zinc Plated Hex Cap Screw
3	2	HN 1/2	Hex Nut 1/2"-13 Grade 5 Zinc Plated Finished
4	2	LN 1/4 N	LN 1/4-20 Zinc Plated Nylon Insert Lock Nut

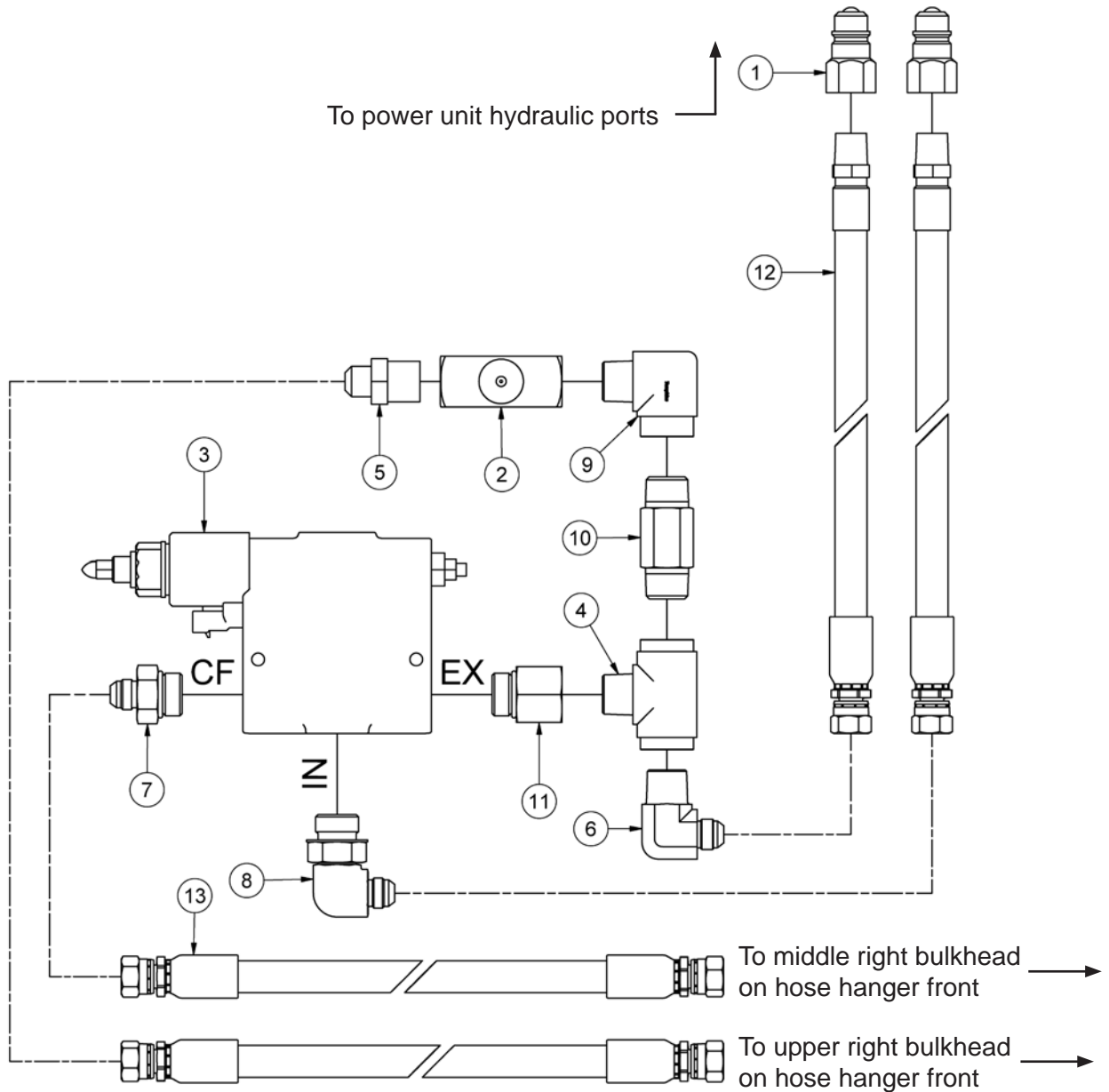
NOTE: Manual flow control shown. Electric flow control option has same mounting hardware. See hydraulic layouts for flow control breakdowns.

Manual Flow Control Hydraulic Layout



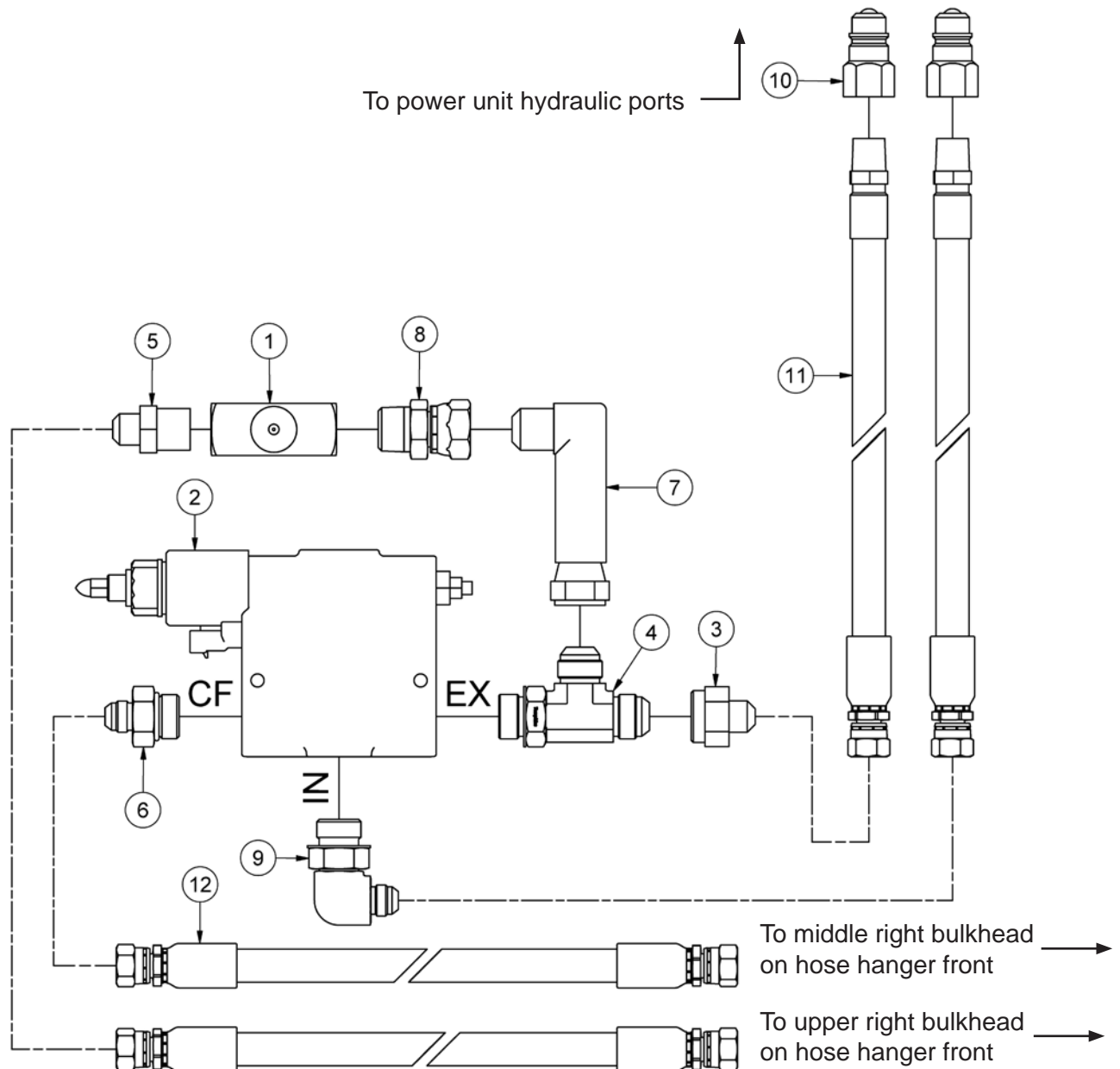
ITEM	QTY	PART NUMBER	DESCRIPTION
1	1	30855	Flow Control - Pressure Compensated 3/4
2	1	30857	Flow Control Valve - 3/4"
3	1	HF 2404-8-12	Hydraulic Fitting - Union
4	1	HF 6801-8-12	Hyd. Fitting - 1/2" JIC - 3/4" 90 Degree Elbow
5	1	HF 6803-12-12-12	Hyd. Fitting Male JIC Male JIC Male ORB Tee
6	1	HF 6501-12-12	Hyd. Fitting 90° 3/4 MNPT - 3/4 FJXH
7	1	HF 6500-8-12	Hyd. Fitting 1/2 Male JIC - 3/4 Female JIC 90°
8	1	HF 6400-8-12	Hyd. Fitting
9	2	HF 8010-4	Quickcoupler 1/2" Male Tip
10	2	30661	HH 1/2 72",8FJX,8MP
11	2	37987	HH 1/2 48",8FJX,8FJX

Electric Flow Control Hydraulic Layout - Original



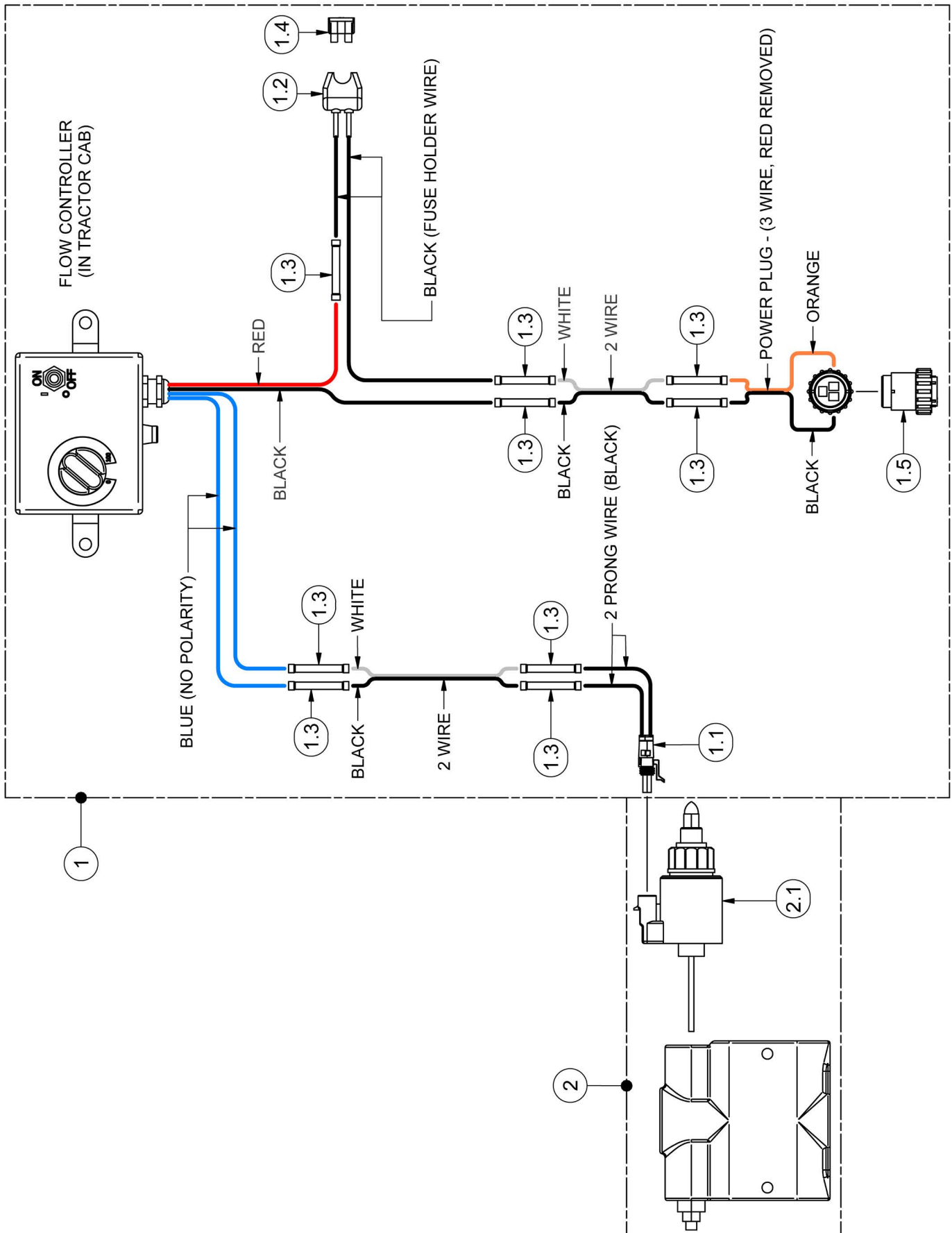
ITEM	QTY	PART NUMBER	DESCRIPTION	NOTE
1	2	HF 8010-4	Quickcoupler 1/2" Male Tip	
2	1	30857	Flow Control Valve - 3/4"	
3	1	37976	Electric Flow Control	Brkdwn Pg.3-24
4	1	HF 5604-12-12	3/4 FNPT X 1/2 MNPT Branch Tee	
5	1	HF 2404-8-12	Hydraulic Fitting - Union	
6	1	HF 2501-8-12	Hydraulic Elbow Fitting - MJIC-MNPT	
7	1	HF 6400-8-12	Hyd. Fitting	
8	1	HF 6801-8-12	Hyd. Fitting - 1/2" JIC - 3/4" 90 Degree Elbow	
9	1	HF 5502-12-12	Hyd. Fitting - 90 Deg. Elbow 12-12	
10	1	HF 5404-L-12-12	Hyd. Fitting 3/4" X 3/4" MNPT Hex Nipple 3" Long	
11	1	HF 6405-12-12	Hydraulic Fitting - Male SAE-ORB to Female NPT	
12	2	30661	1/2" Hydraulic Hose (8FJX,8MP) - 69"	
13	2	37987	1/2" Hydraulic Hose (8FJX,8FJX) - 73"	

Electric Flow Control Hydraulic Layout - Current



ITEM	QTY	PART NUMBER	DESCRIPTION	NOTE
1	1	30857	Flow Control Valve - 3/4"	
2	1	37976	Electric Flow Control	Brkdwn Pg.3-24
3	1	HF 2406-12-8	Hydraulic Adapter Fitting JIC	
4	1	HF 6804-12-12-12	Hydraulic Tee Fitting - SAE-ORB - MJICs	
5	1	HF 2404-8-12	Hydraulic Fitting - Union	
6	1	HF 6400-8-12	Hyd. Fitting	
7	1	HF 6500-L-12-12-FG	MJ-FJS 90° Elbow Long	
8	1	HF 6505-12-12	Male Pipe To Female JIC Swivel	
9	1	HF 6801-8-12	Hyd. Fitting - 1/2" JIC - 3/4" 90 Degree Elbow	
10	2	HF 8010-4	Quickcoupler 1/2" Male Tip	
11	2	30661	1/2" Hydraulic Hose (8FJX,8MP) - 69"	
12	2	37987	1/2" Hydraulic Hose (8FJX,8FJX) - 73"	

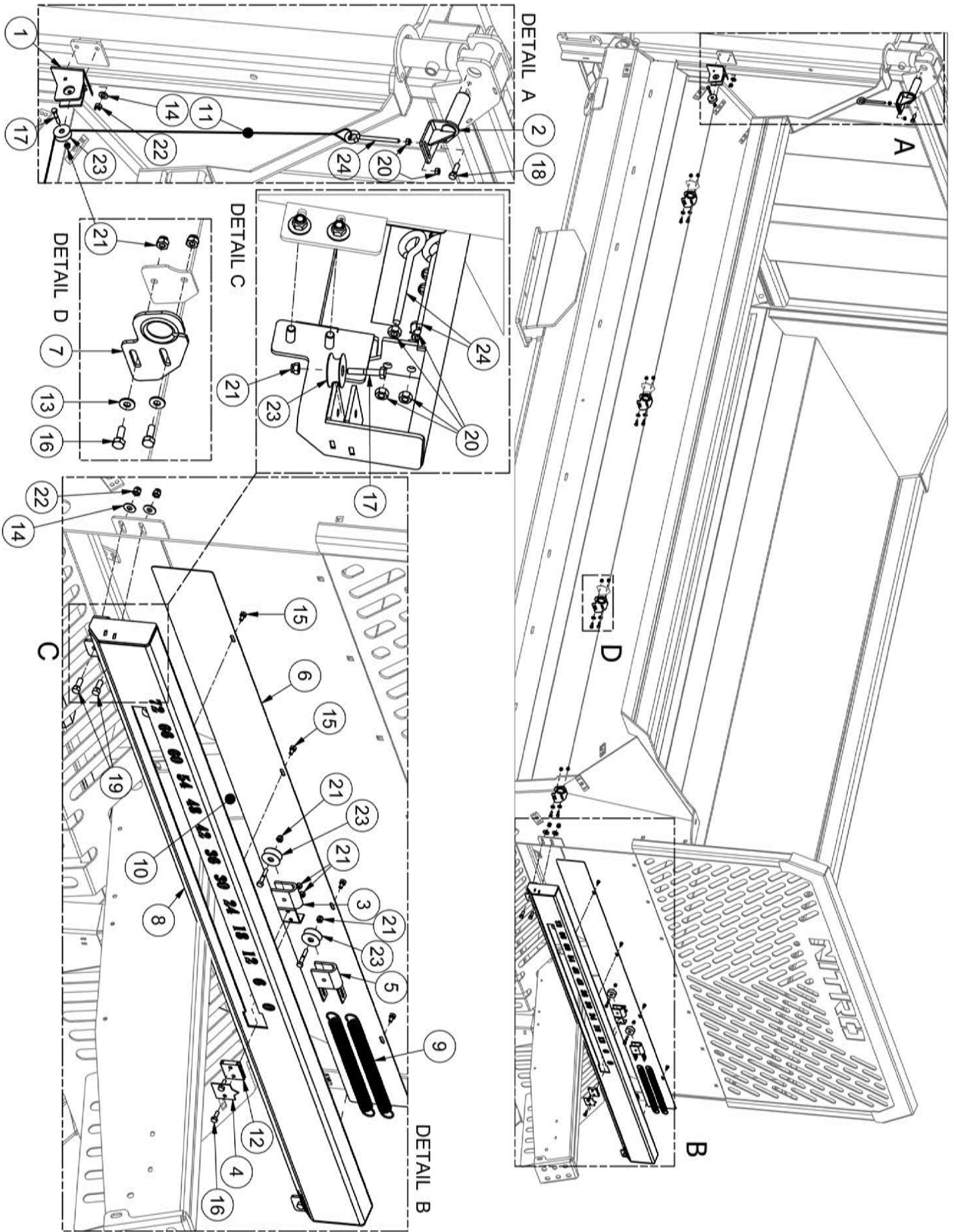
Electric Flow Control Wiring



Electric Flow Control Wiring

ITEM	QTY	PART NUMBER	DESCRIPTION
1	1	45344	Electric Flow Controller
1.1	1	37970	2 Prong Plug
1.2	1	TL82-2164	Fuse Holder
1.3	9	EL23662	Wire Connector
1.4	1	TL550-100-079	15 AMP Fuse
1.5	2	TB109-110-307	Power Plug
2	1	45345	Electric Flow Control
2.1	1	37968	Solenoid

Endgate Indicator - 45861

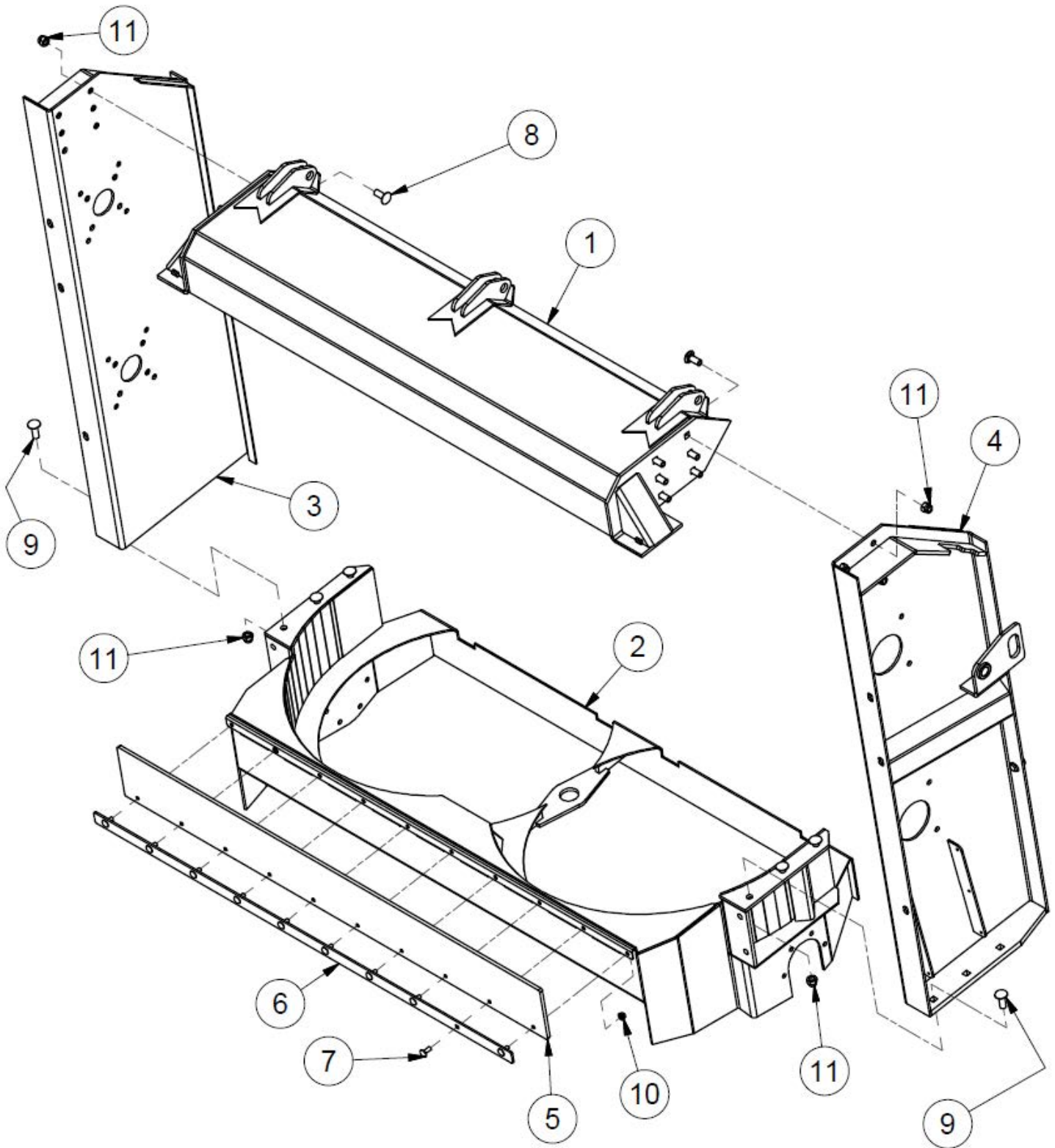


Endgate Indicator - 45861

ITEM	QTY	PART NUMBER	DESCRIPTION
1	1	45313	Pulley Mount
2	1	45314	Endgate Cable Pin
3	1	45407	Indicator Slider Mount
4	1	45409	Indicator Arrow
5	1	45410	Spring Tensioner Pulley
6	1	45858	Indicator Back Panel
7	4	45859	Indicator Wire Mount
8	1	45860	375 Indicator (Weldment)
9	2	46086	Spring 12.0 X 1.0 X .105
10	1	48200	Front Indicator Cable - .125" x 58"
11	1	48205	Side Indicator Cable - .125" x 297"
12	1	BF5000-183	Indicator Slider
13	8	FW 1/4	Flatwasher - 1/4" Zinc Plated USS
14	6	FW 3/8	Flatwasher - 3/8" Zinc Plated USS
15	4	HB1/4-20X0.5Z5	Hex Bolt 1/4-20x1/2 Grade 5 Zinc Plated Hex Cap Screw
16	8	HB1/4-20X0.75Z5	Hex Bolt 1/4-20x3/4 Grade 5 Zinc Plated Hex Cap Screw
17	4	HB1/4-20X1.5Z5	Hex Bolt 1/4-20x1 1/2 Grade 5 Zinc Plated Hex Cap Screw
18	1	HB3/8-16X1.25Z5	Hex Bolt 3/8-16x1 1/4 Grade 5 Zinc Plated Hex Cap Screw
19	6	HB3/8-16X1Z5	Hex Bolt 3/8-16x1 Grade 5 Zinc Plated Hex Cap Screw
20	6	HN 5/16	Hex Nut 5/16"-18 Grade 5 Zinc Plated Finished
21	14	LN1/4-20NCZ5	LN 1/4-20 Zinc Plated Nylon Insert Lock Nut
22	26	LN3/8-16NCZ5	LN 3/8-16 Zinc Plated Nylon Insert Lock Nut
23	4	PP00423	Pulley
24	3	PP00682	Eye Bolt - 5/16-18 x 4" Shank Zinc Plated Turned

Section 4 - Option - Poultry Beaters

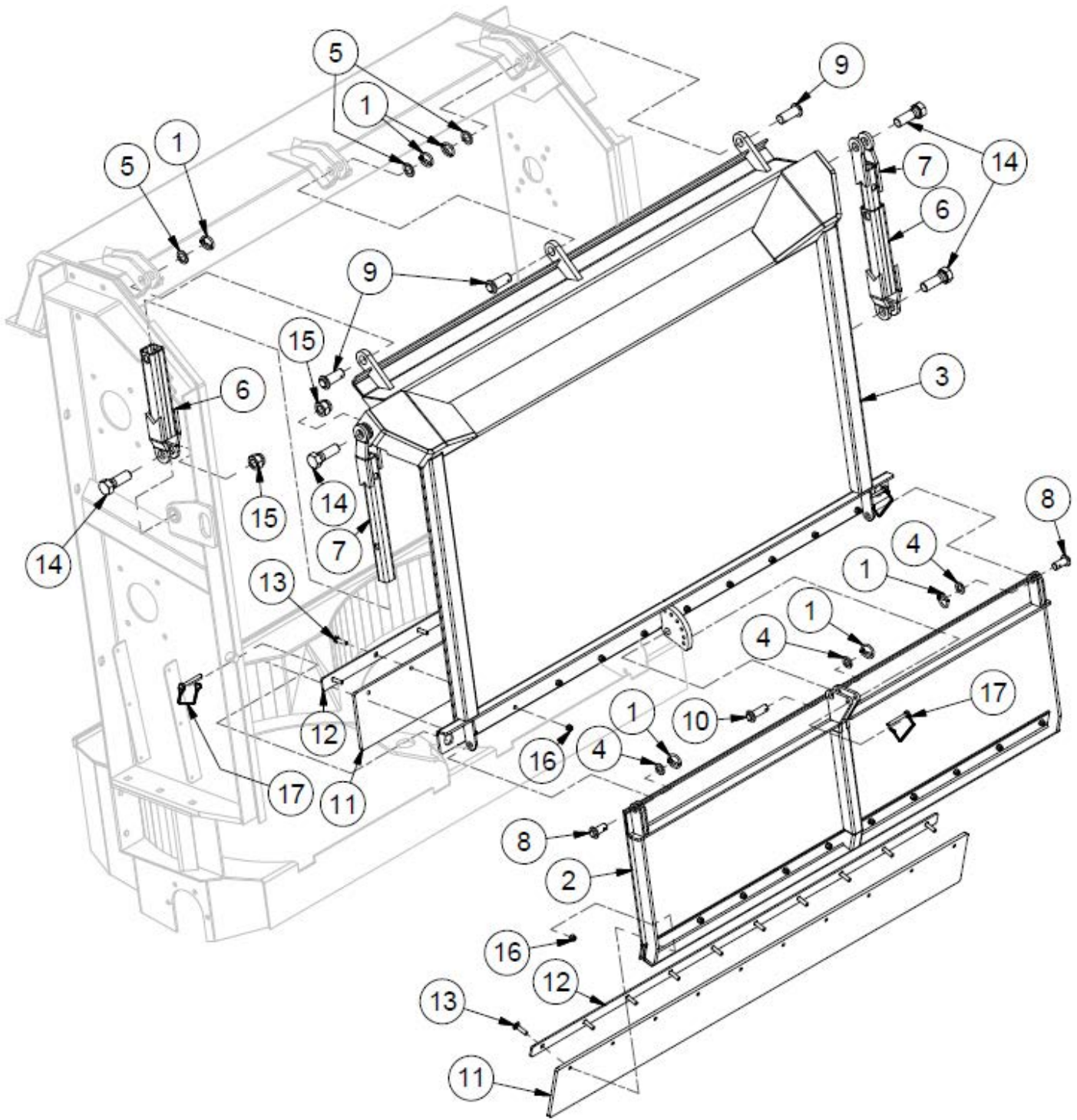
Poultry Beaters - Frame



Poultry Beaters - Frame

ITEM	QTY	PART NUMBER	DESCRIPTION
1	1	40334	Beater Gate Mount Asm
2	1	40335	Spinner Mounting Asm
3	1	40337	Beater Right Panel Asm
4	1	40338	Beater Left Panel
5	1	450-441	2 Ply Rubber Belt-V600,V450 (7.0 x 62.5)
6	1	600-790	Rubber Hold Down
7	10	CB 3/8-16 X1 Z5	Carriage Bolt - 3/8-16 x 1" Grade 5 Zinc
8	12	CB 5/8-11 X1.5 Z5	Carriage Bolt - 5/8-11 x 1 1/2" Grade 5 Zinc
9	6	CB 5/8-11 X1.75 Z5	Carriage Bolt - 5/8-11 x 1 3/4" Grade 5 Zinc
10	10	HNC3/8	Serrated Hex Nut
11	12	LN 5/8 N	LN 5/8-11 Zinc Plated Nylon Insert Lock Nut

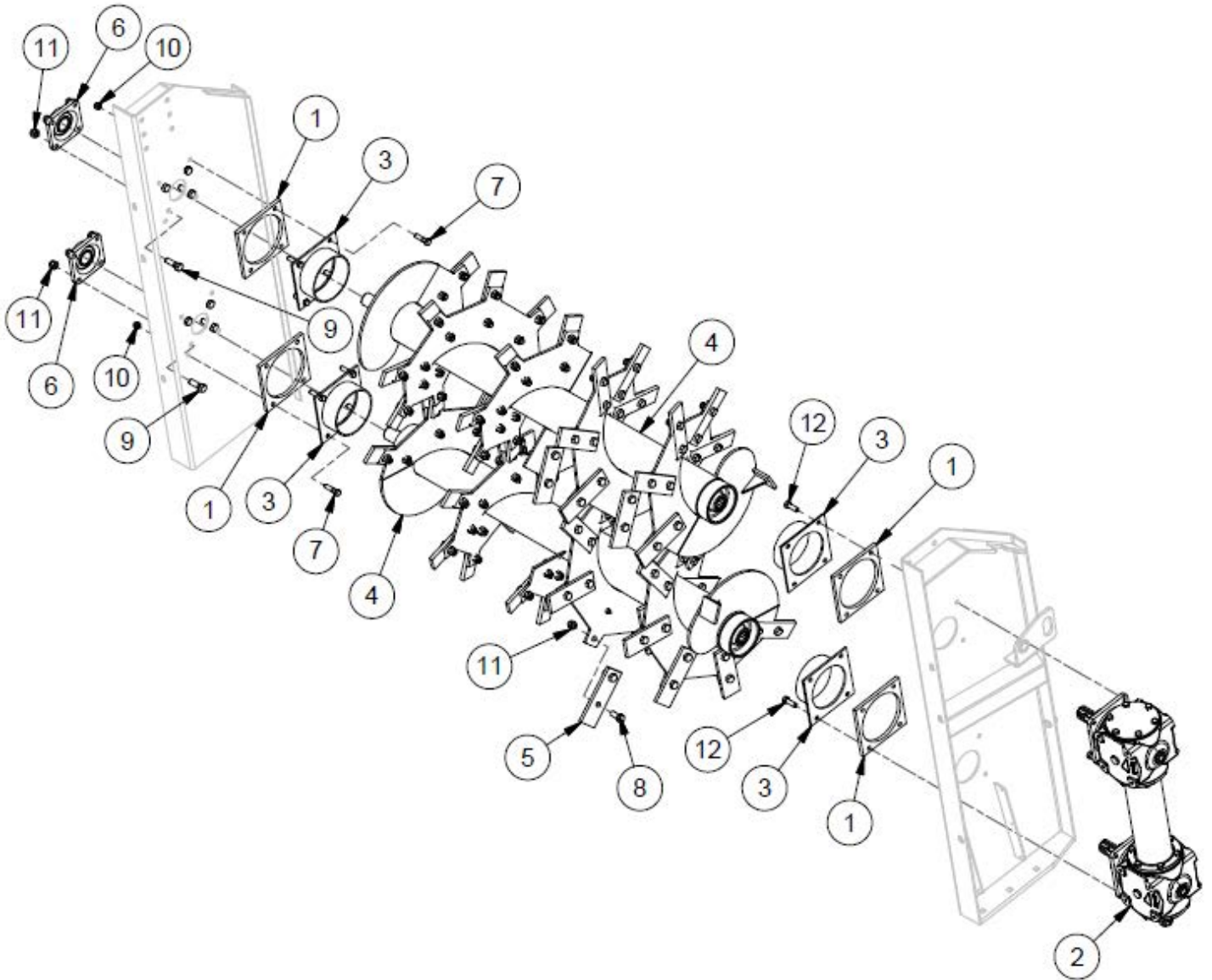
Poultry Beaters - Endgate



Poultry Beaters - Endgate

ITEM	QTY	PART NUMBER	DESCRIPTION
1	6	25680	Lynch Pin 3/16 x 1.5
2	1	40332	Lower Gate
3	1	40333	Upper Gate
4	3	40365	Beater Gate Washer S
5	3	40367	Gate Hinge Washer L
6	2	40389	Sliding Hinge Celvice ASM
7	2	40393	Sliding Hinge Arm ASM
8	2	40590	Lower Poultry Beater Pin
9	3	40591	Top Poultry Beater Pin
10	1	42176	Center Gate Pin
11	3	450-441	Rubber Seal
12	3	600-790	Rubber Hold Down
13	20	CB 3/8-16 X1.5 Z5	Carriage Bolt - 3/8-16 x 1 1/2" Grade 5 Zinc
14	4	HB 1-8X3 Z5	Hex Bolt 1-8x3 Grade 5 Zinc Plated Hex Cap Screw
15	4	LN 1 N	LN 1-8 Zinc Plated Nylon Insert Lock Nut
16	20	LN 3/8 N	LN 3/8-16 Zinc Plated Nylon Insert Lock Nut
17	3	LP B1997	Pin - Lock Pin 5/16 x 2 1/2

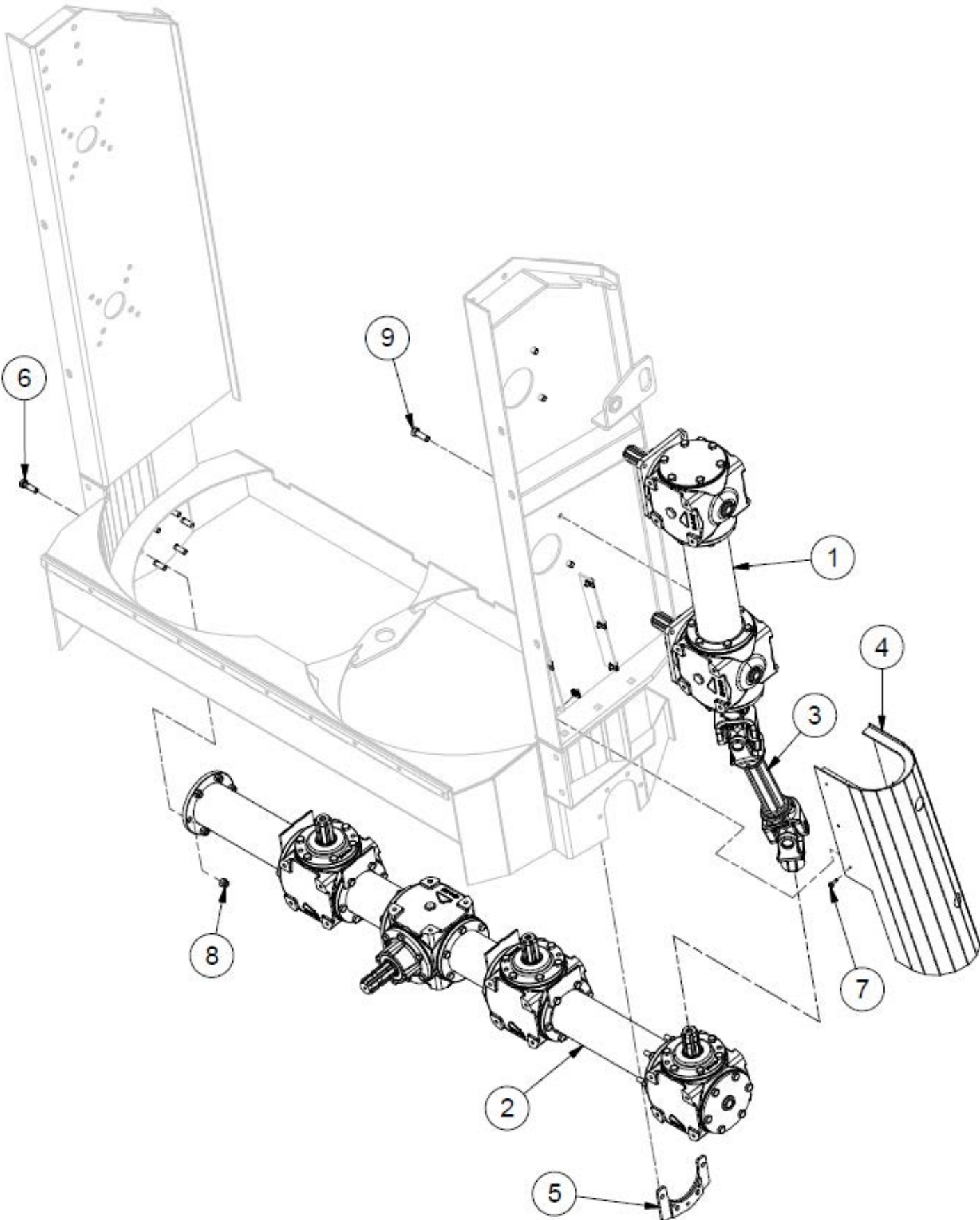
Poultry Beaters - Beaters



Poultry Beaters - Beaters

ITEM	QTY	PART NUMBER	DESCRIPTION
1	4	36723	Inside Plate for Beaters
2	1	37827	Gear Box- Side Poultry
3	4	37936	Beater End Covers
4	2	40356	Poultry Beater for 375,450,525,600 Nitro
5	56	400-438	Beater Paddle
6	2	BEA UCF209-28R3	Flange Bearing -Triple Seal- Ductile Iron
7	8	HB 1/2-13X2 Z5	Hex Bolt 1/2-13x2 Grade 5 Zinc Plated Hex Cap Screw
8	112	HB 5/8-11X1.75 Z5	Hex Bolt 5/8-11x1 3/4 Grade 5 Zinc Plated Hex Cap Screw
9	8	HB 5/8-11X2 Z5	Hex Bolt 5/8-11x2 Grade 5 Zinc Plated Hex Cap Screw
10	8	LN 1/2 N	LN 1/2-13 Zinc Plated Nylon Insert Lock Nut
11	120	LN 5/8 N	LN 5/8-11 Zinc Plated Nylon Insert Lock Nut
12	8	M14X40X2	Metric Bolt

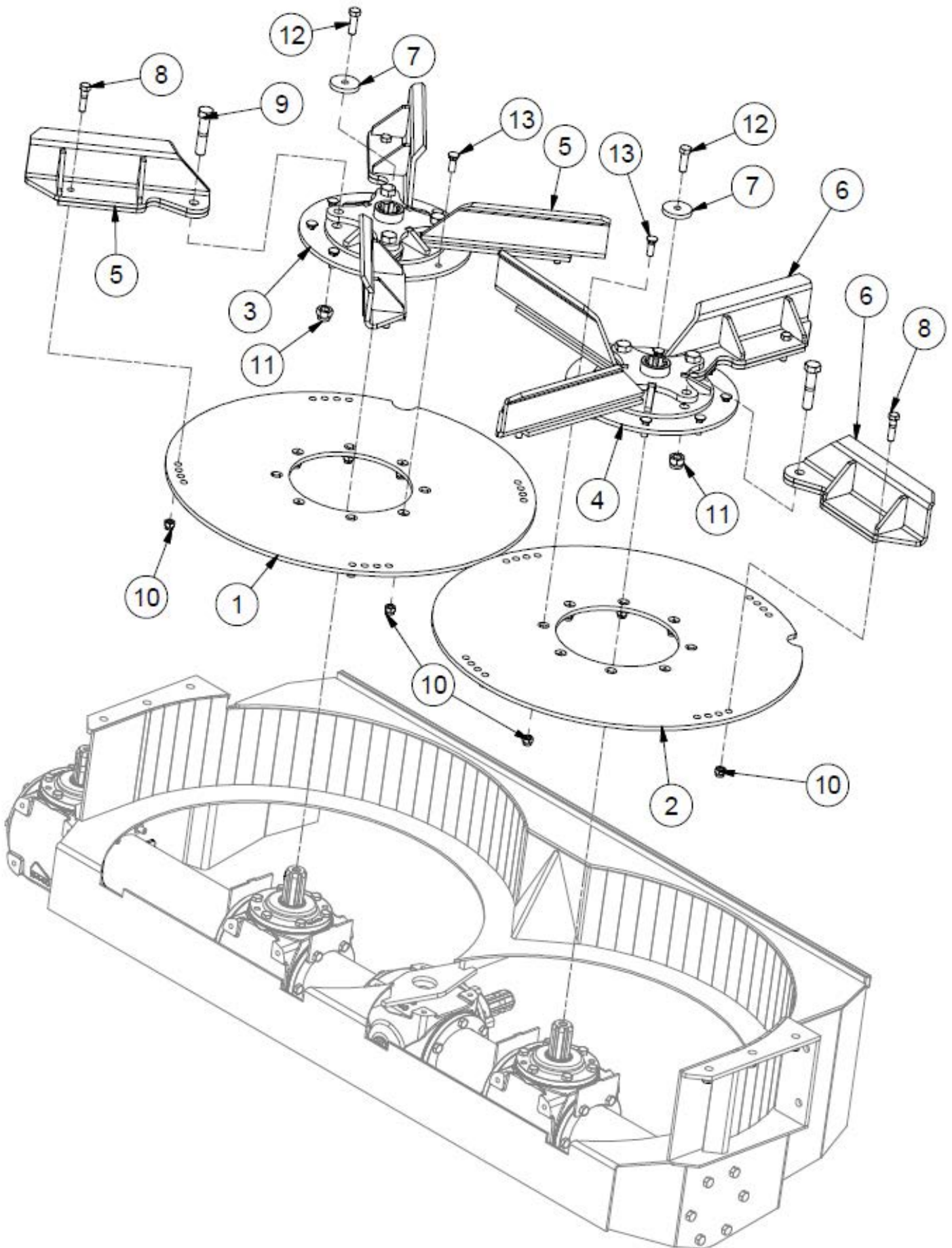
Poultry Beaters - Drivelines



Poultry Beaters - Drivelines

ITEM	QTY	PART NUMBER	DESCRIPTION
1	1	37827	Gear Box - Side Poultry
2	1	37828	Gear Box - Lower Poultry
3	1	39998	PTO Cross Drive Shaft
4	1	40259	PTO Shield
5	1	42173	Bottom Gearbox Support
6	6	HB 1/2-13X1.75 Z5	Hex Bolt 1/2-13x1 3/4 Grade 5 Zinc Plated Hex Cap Screw
7	6	HBC1/4X0.75	Hex Bolt Cerrated 1/4-20 x 3/4 Zinc Flange Bolt
8	8	LN 1/2 N	LN 1/2-13 Zinc Plated Nylon Insert Lock Nut
9	8	M14X40X2	Metric Bolt

Poultry Beaters - Spinners



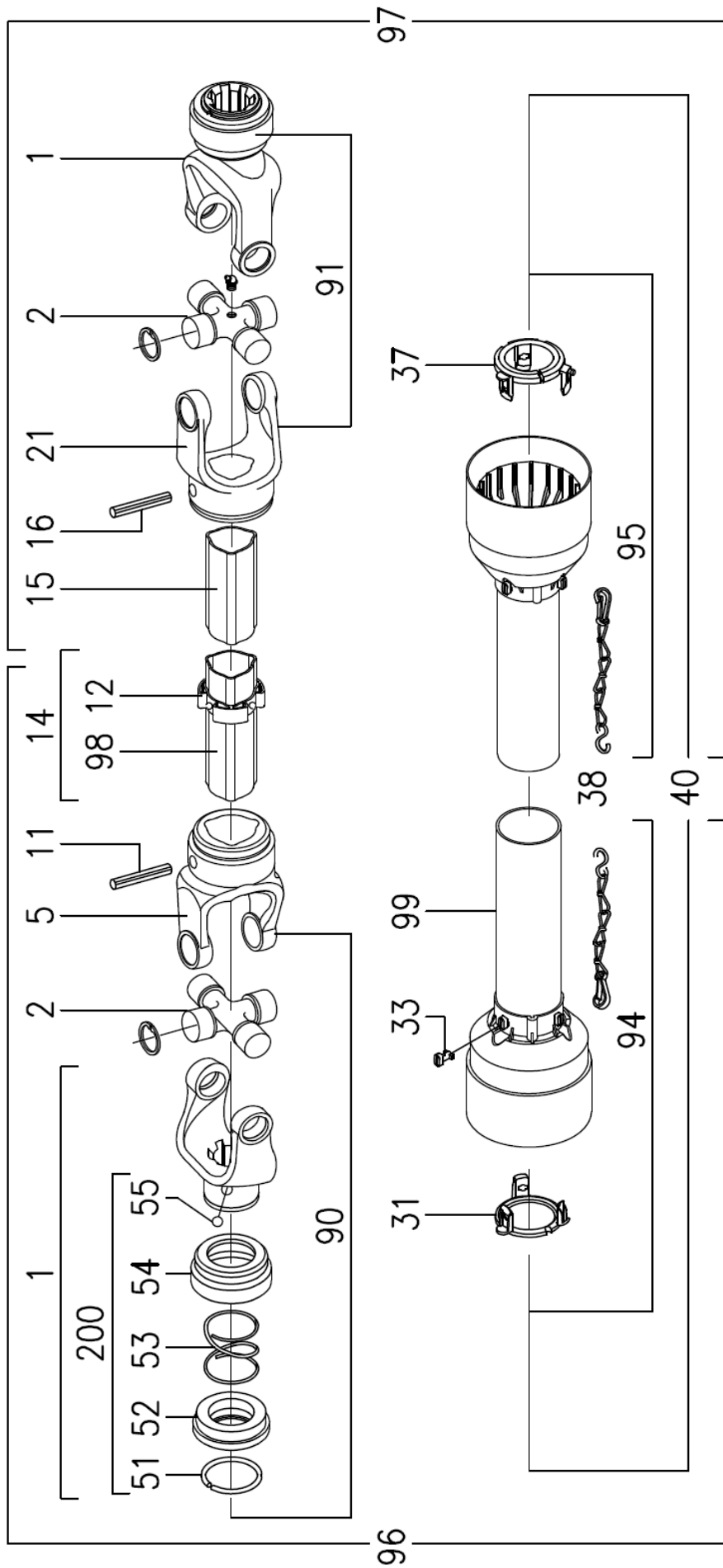
Poultry Beaters - Spinners

ITEM	QTY	PART NUMBER	DESCRIPTION
1	1	37881	Left Spinner Plate
2	1	37902	Right Spinner Plate
3	1	39843	Braced Spinner Hub
4	1	40298	Braced Spinner Hub
5	4	40310	Left Paddle
6	4	40311	Right Paddle
7	2	700-157	Load Bearing Washer
8	8	HB 1/2-13X2 Z5	Hex Bolt 1/2-13x2 Grade 5 Zinc Plated Hex Cap Screw
9	8	HB 3/4-10X3.5 Z5	Hex Bolt 3/4-10x3 1/2 Grade 5 Zinc Plated Hex Cap Screw
10	24	LN 1/2 N	LN 1/2-13 Zinc Plated Nylon Insert Lock Nut
11	8	LN 3/4 N	LN 3/4-10 Zinc Plated Nylon Insert Lock Nut
12	2	M14X45X2	Metric Bolt
13	16	PB 1/2-13X1.5	Plow Bolts - 1/2-13 x 1 1/2 Flat Head Gr.5

Intentionally Left Blank

Section 5 - PTOs

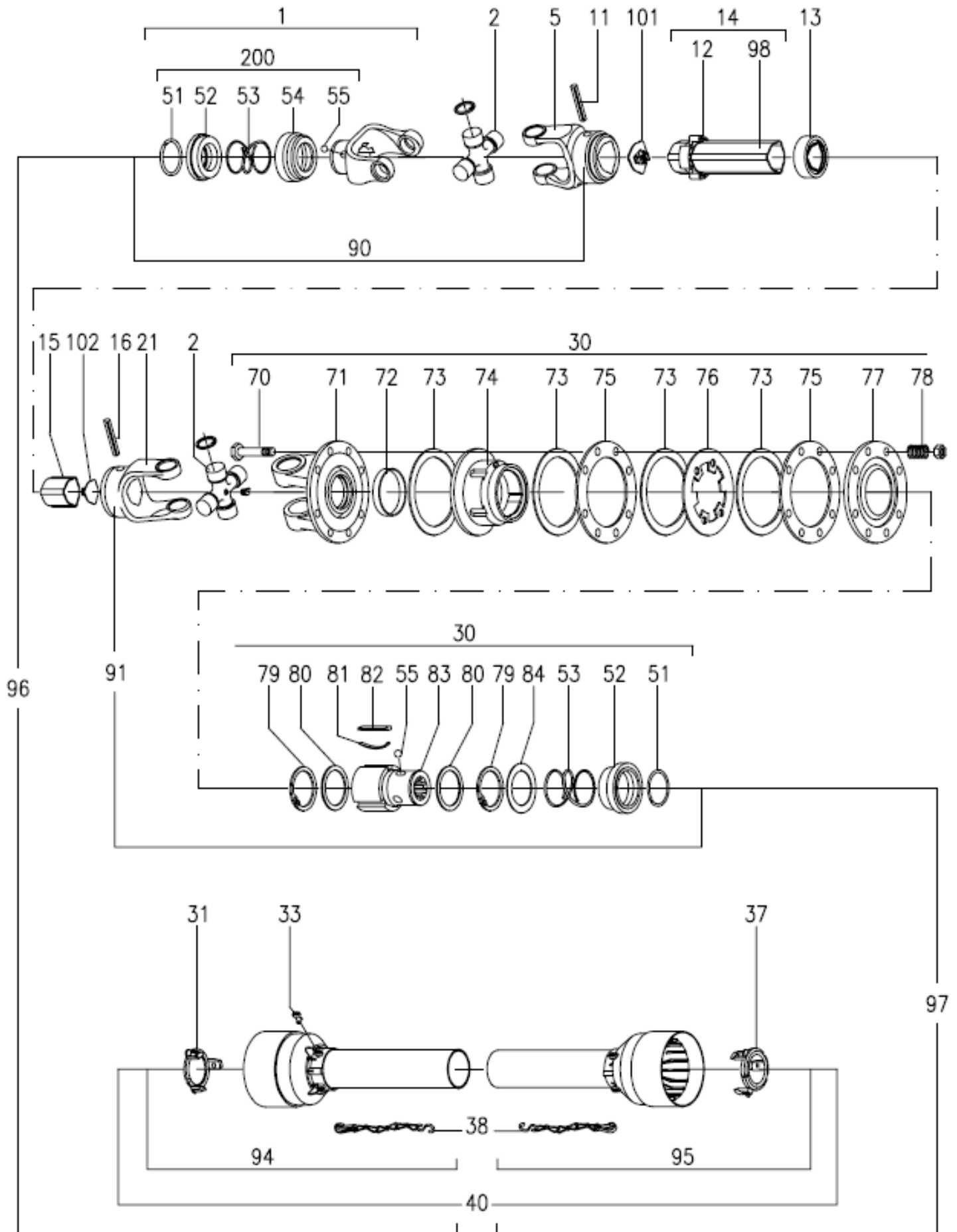
30839 - PTO Shaft - Primary Shaft for Manure Spreader N375-N600



30839 - PTO Shaft - Primary Shaft for Manure Spreader N375-N600

ITEM	QTY	PART NUMBER	DESCRIPTION
1	2	PTO141.026.544	Complete Collar Yoke C12 1 3/8" Z6
2	2	PTO180.016.130	Cross Journal Set 30.2x92
5	1	PTO151.016.028	Outer Yoke
11	1	PTO190.000.018	Roll Pin for Outer Tube
12	1	PTO180.016.316	Bush with Grease Nipple
14	1	PTO152.170.271.0720	Complete Outer Tube L=850
15	1	PTO153.160.112	Inner Tube L=865
16	1	PTO190.000.016	Roll Pin for Inner Tube
21	1	PTO151.016.029	Inner Yoke
31	1	PTO180.016.016	Guard Retaining Collar for Outer Tube
33	6	PTO190.000.019	Bolt
37	1	PTO180.016.015	Guard Retaining Collar for Inner Tube
38	2	PTO180.016.025	Safety Chains
40	1	PTO142.260.429.7620	Complete Guard with Instruction Manual
51	2	PTO190.000.451	Outer Circlip
52	2	PTO151.016.486	Sliding Sleeve Collar
53	2	PTO180.016.487	Spring
54	2	PTO180.016.483	Fixed Sleeve
55	6	PTO190.000.078	Ball Ø 1/2"
90	1	PTO121.026.899.10	U Joint for Outer Tube
91	1	PTO121.026.900.10	U Joint for Inner Tube
94	1	PTO142.266.203.7620	Half Female Guard
95	1	PTO142.261.305.7620	Half Male Guard
96	1	PTO123.360.334.10	Half Female Shaft with Guarding
97	1	PTO123.460.773.10	Half Male Shaft with Guarding
98	1	PTO190.000.216	DANGER Label for Outer Tube
99	1	PTO190.000.215	DANGER Label for Outer Guard Tube
100	1	PTO190.000.371	Instruction Manual
200	2	PTO165.000.628	Kit Collar 1 3/8"

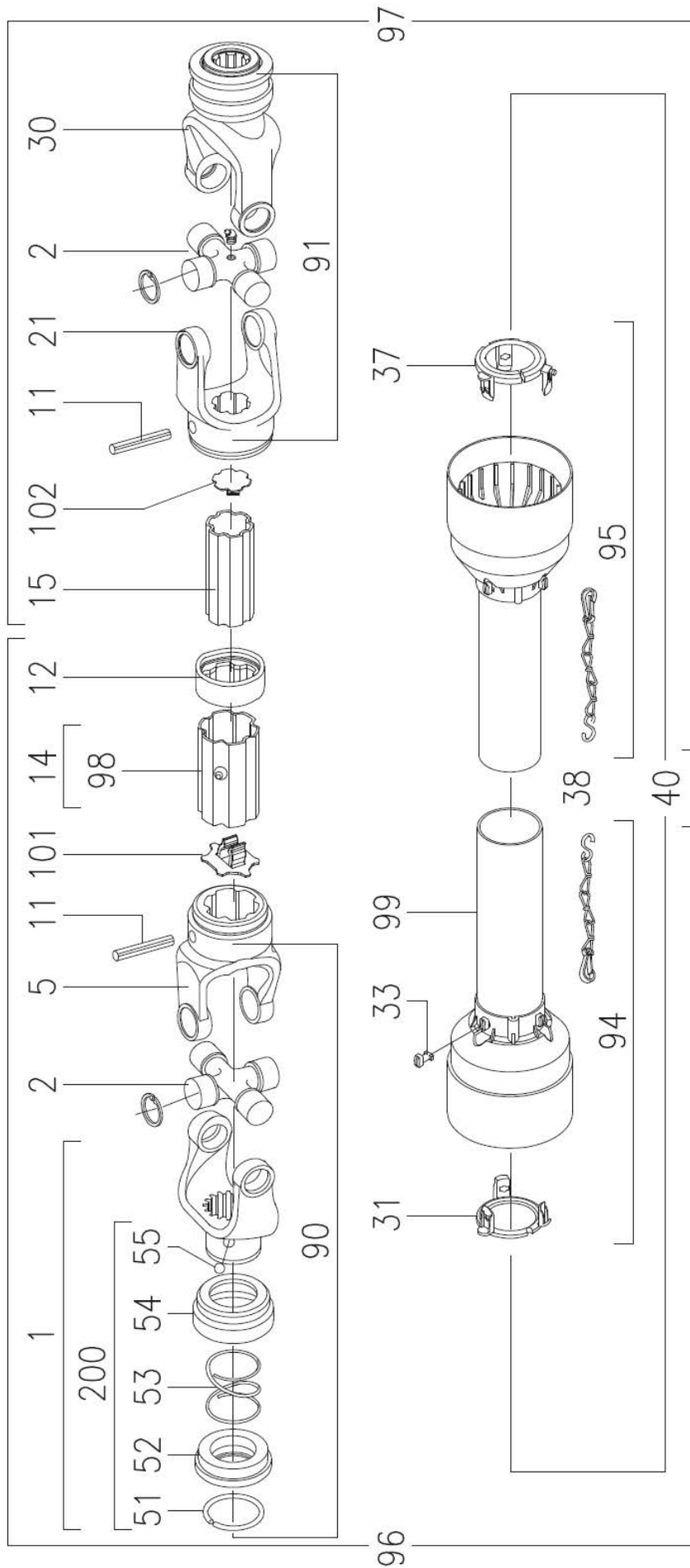
30840 - PTO Slip Clutch for Manure Spreader



30840 - PTO Slip Clutch for Manure Spreader

ITEM	QTY	PART NUMBER	DESCRIPTION				
1	1	PTO141.026.544	Complete Collar Yoke C12 1 3/8" Z6	77	1	PTO180.017.114	Pressure Plate
				78	8	PTO180.014.022	Spring
2	2	PTO180.016.130	Cross Journal Set 30.2x92	79	2	PTO190.000.183	Inner Circlip
				80	2	PTO180.014.135	Retaining Washer
5	1	PTO151.016.028	Outer Yoke	81	3	PTO180.014.137	Carriage Spring
11	1	PTO190.000.018	Roll Pin for Outer Tube	82	3	PTO151.014.136	Tang
				83	1	PTO151.016.546	Hub R12
12	1	PTO180.016.316	Bush for Grease Fitting	84	1	PTO180.015.143	Spring Push Ring
				90	1	PTO121.026.899.10	U Joint for Outer Tube
13	1	PTO180.016.572	Wiper	91	1	PTO121.026.747.10	U Joint for Inner Tube
14	1	PTO152.170.366.0720	Complete Outer Tube L=1005				
15	1	PTO153.160.114	Inner Tube L=1065	94	1	PTO142.266.272.7620	Half Female Guard
16	1	PTO190.000.016	Roll Pin for Inner Tube	95	1	PTO142.267.239.7620	Half Male Guard
				96	1	PTO123.360.465.10	Half Female Shaft with Guarding
21	1	PTO151.016.029	Inner Yoke	97	1	PTO123.460.1007.10	Half Male Shaft with Guarding
30	1	PTO146.364.001	Complete Disc Clutch RF6 (1400 Nm)				
31	1	PTO180.016.016	Guard Retaining Collar for Outer Tube	98	1	PTO190.00.216	DANGER Label for Outer Tube
				99	1	PTO190.000.215	DANGER Label for Outer Guard Tube
33	6	PTO190.000.019	Bolt	100	1	PTO190.000.371	Instruction Manual
37	1	PTO180.016.015	Guard Retaining Collar for Inner Tube	101	1	PTO180.016.468	Outer Closing Cap
				102	1	PTO180.016.529	Inner Closing Cap
38	2	PTO180.016.636	Safety Chains	200	1	PTO165.000.628	Kit Collar 1 3/8"
40	1	PTO142.260.496.7620	Complete Guard with Instruction Manual				
51	2	PTO190.000.451	Outer Circlip				
52	2	PTO151.016.486	Sliding Sleeve Collar				
53	2	PTO180.016.487	Spring				
54	1	PTO180.016.483	Fixed Sleeve				
55	6	PTO190.000.078	Balls Ø1/2"				
70	8	PTO165.000.548	Bolt M10x100 & nut				
71	1	PTO.141.026.347	Flanged Yoke				
72	1	PTO180.017.112	Bush				
73	4	PTO180.017.106	Lining Ring				
74	1	PTO141.027.107	Body RF with Grease Nipple				
75	2	PTO180.017.105	Inner Plate				
76	1	PTO180.017.104	Intermediate Plate				

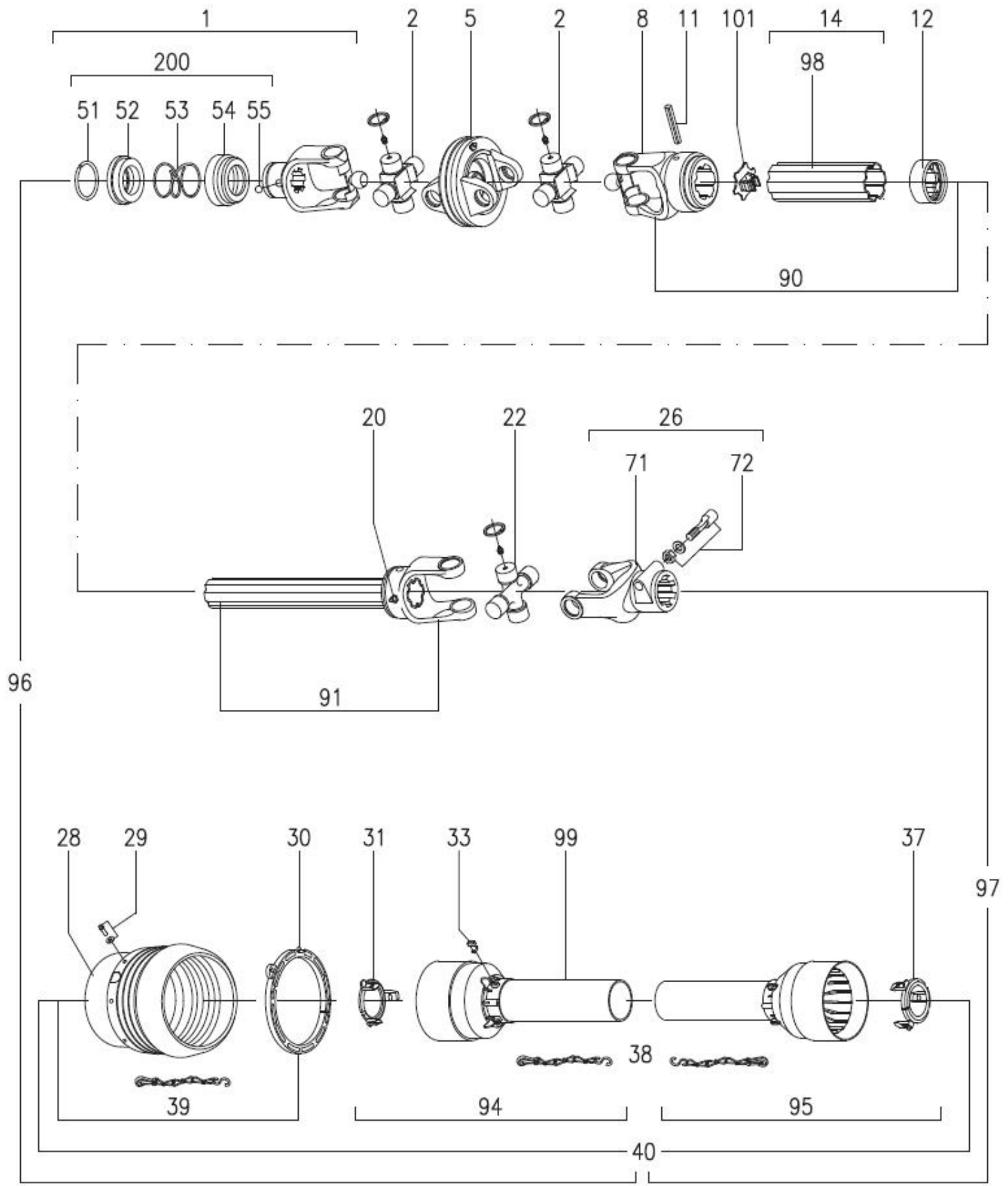
30841 - PTO Slip Clutch for Manure Spreader



30841 - PTO Slip Clutch for Manure Spreader

ITEM	QTY	PART NUMBER	DESCRIPTION
1	1	PTO141.026.553	Complete Collar Yoke C13 1 3/8" Z21
2	2	PTO180.016.004	Cross Journal Set 30.2x92
5	1	PTO151.016.388	Outer Yoke
11	1	PTO8.4.5.02111	Roll Pin for Outer Tube
12	1	PTO180.016.573	Wiper
14	1	PTO150.260.014.0720	Complete Outer Tube L=355
15	1	PTO153.260.108	Inner Tube L=415
16	1	PTO190.000.018	Roll Pin for Inner Tube
21	1	PTO151.016.389	Inner Yoke
30	1	PTO141.026.544	Complete Collar Yoke C12 1 3/8" Z6
31	1	PTO180.016.016	Guard Retaining Collar for Outer Tube
33	6	PTO190.000.019	Bolt
37	1	PTO180.016.015	Guard Retaining Collar for Inner Tube
38	2	PTO180.016.790	Safety Chains
40	1	PTO142.260.505.9620	Complete Guard with Instruction Manual
51	2	PTO190.000.451	Outer Circlip
52	2	PTO151.016.486	Sliding Sleeve Collar
53	2	PTO180.016.487	Spring
54	2	PTO180.016.483	Fixed Sleeve
55	6	PTO190.000.078	Ball Ø 1/2"
90	1	PTO121.026.913.00	U Joint for Outer Tube
91	1	PTO121.026.912.00	U Joint for Inner Tube
94	1	PTO142.266.280.9620	Half Female Guard
95	1	PTO142.267.248.9620	Half Male Guard
96	1	PTO123.366.197.00	Half Female Shaft with Guard
97	1	PTO123.466.342.00	Half Male Shaft with Guard
98	1	PTO190.000.216	DANGER Label for Outer Tube
99	1	PTO190.000.215	DANGER Label for Outer Guard Tube
100	1	PTO190.000.371	Instruction Manual
101	1	PTO180.016.474	Outer Closing Cap
102	1	PTO180.016.575	Inner Closing Cap
200	2	PTO165.000.628	Kit Collar 1 3/8"

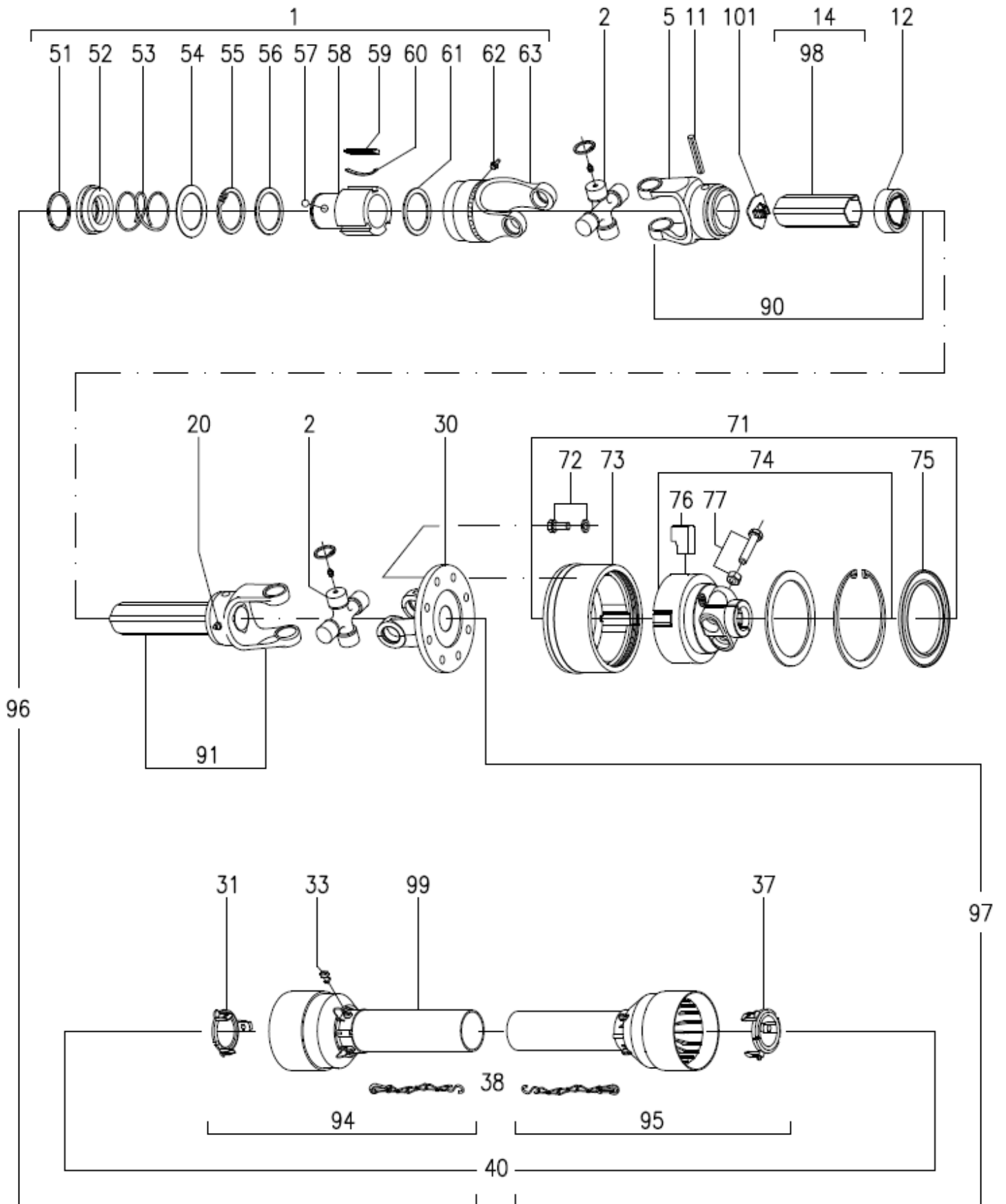
39850 - PTO. 375,450,525,600,750 (V80-141P028359-028028-CV80-CLS)



39850 - PTO. 375,450,525,600,750 (V80-141P028359-028028-CV80-CLS)

ITEM	QTY	PART NUMBER	DESCRIPTION
1	1	PTO141.028.359.1	Complete Collar yoke C03 for CV-Joint
2	2	PTO180.018.580	Cross Journal Set for CV-Joint
5	1	PTO141.028.157.1	Wide Angle Double Yoke
8	1	PTO141.028.248.1	Outer Yoke
11	1	PTO190.000.243	Roll Pin for Outer Tube
12	1	PTO180.018.437	Wiper
14	1	PTO152.280.566.0720	Complete Outer Tube
20	1	PTO180.017.411	Grease Nipple for Lube
22	1	PTO180.018.641	Cross Journal Set
26	1	PTO141.028.028.1	Complete Yoke 132
28	1	PTO180.018.582	Guard Cone for Wide Angle CV-Joint
29	6	PTO165.000.694	Screw Kit
30	1	PTO158.018.582	Bearing Ring
31	1	PTO180.018.251	Guard Retaining Collar for Outer Tube
33	3	PTO180.014.240	Bolt
37	1	PTO180.018.252	Guard Retaining Collar for Inner Tube
38	1	PTO180.016.790	Safety Chains
39	1	PTO165.000.801	Guard Cone Set
40	1	PTO142.981.078.2821	Complete Guard with Instruction Manual
51	1	PTO190.000.451	Outer Circlip
52	1	PTO151.016.486	Sliding Sleeve Collar
53	1	PTO180.016.487	Spring
54	1	PTO180.016.483	Fixed Sleeve
55	3	PTO190.000.078	Ball Ø 1/2"
71	1	PTO151.018.028.1	Yoke 132
72	1	PTO165.000.502	Tapered Pin Set 1" 3/8
90	1	PTO122.981.049.1	Female Tube with Yoke and Lube System
91	1	PTO122.580.526.1	Male Tube with Yoke and Lube System
94	1	PTO142.283.260.2821	Half Female Guarding with Label
95	1	PTO142.287.230.2821	Half Male Guarding
96	1	PTO199811410F05006	Half Female Shaft with Guarding
97	1	PTO123.486.358.01	Half Male Shaft with Guarding
98	1	PTO190.000.216	DANGER Label for Outer Tube
99	1	PTO190.000.215	DANGER Label for Outer Guard Tube
100	1	PTO190.000.371	Instruction Manual
101	1	PTO180.018.393	Plastic Cap for Outer Tube
200	1	PTO165.000.628	Kit Collar for Yoke 1 3/8"

39852 - PTO. 600, 750,275,725 (T60-086P265011-306028-CLS(2500NM))



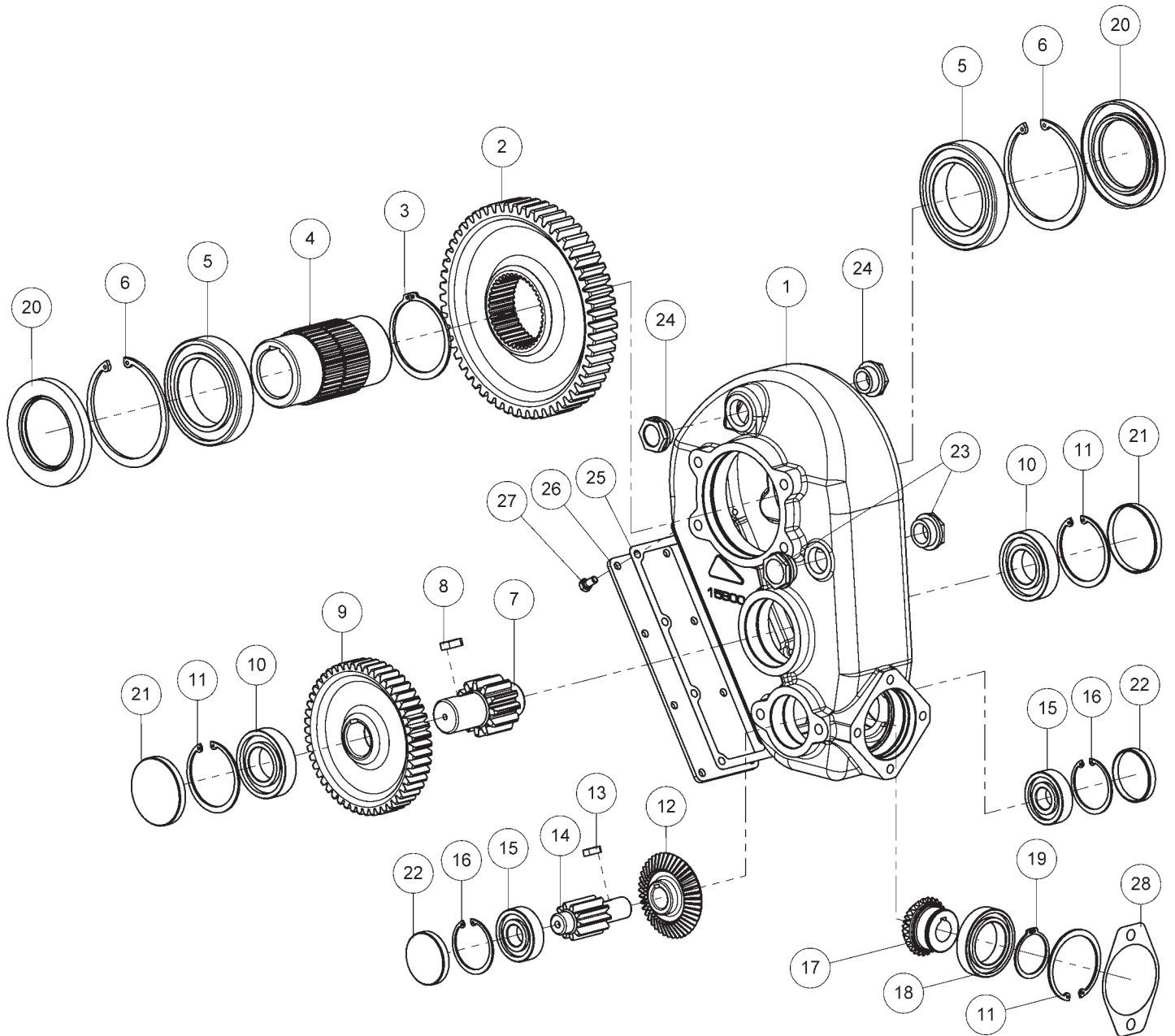
39852 - PTO. 600, 750,275,725 (T60-086P265011-306028-CLS(2500NM))

ITEM	QTY	PART NUMBER	DESCRIPTION
1	1	PTO145.265.011.1	Complete Overrunning Clutch R12
2	2	PTO180.016.780	Cross Journal Set
5	1	PTO151.016.028.1	Outer Yoke
11	1	PTO190.000.018	Roll Pin for Outer Tube
12	1	PTO180.016.572	Wiper
14	1	PTO152.160.435.0720	Complete Outer Tube
20	1	PTO180.017.411	Grease Nipple for Lube
30	1	PTO151.016.543.1	Flange FGL
31	1	PTO180.016.237	Guard Retaining Collar for Outer Tube
33	6	PTO180.014.240	Bolt
37	1	PTO180.016.238	Guard Retaining Collar for Inner Tube
38	2	PTO180.016.790	Safety Chains
40	1	PTO142.260.536.7621	Complete Guard with Instruction Manual
51	1	PTO190.000.451	Outer Circlip
52	1	PTO151.016.486	Sliding Sleeve Collar
53	1	PTO180.016.487	Spring
54	1	PTO180.015.143	Spring Push Ring
55	1	PTO190.000.183	Inner Circlip
56	1	PTO180.014.135	Retaining Washer
57	3	PTO190.000.078	Ball
58	1	PTO151.016.546	Hub R12 (1 3/8" Z6)
59	3	PTO151.014.136	Ratchet
60	3	PTO151.014.137	Leaf Spring
61	1	PTO190.000.199	Retaining Washer
62	1	PTO190.000.020	Grease Nipple M8x1
63	1	PTO141.026.210.1	Outer Casting with Yoke
71	1	PTO144.306.009.1	Automatic Torque Limiter (1 3/4" Z6)
72	8	PTO165.000.708	Special Screw M12x1.25x25 w/ Washers Type "SCHNOOR"
73	1	PTO141.028.411.1	Outer Casing
74	1	PTO165.000.713	Complete Hub (3000Nm w/o Springs)
75	1	PTO180.018.400	Grease Retaining
76	4	PTO151.018.390	Ratchet
77	2	PTO165.000.752	Bolts M12x1.25x60 & Nuts
90	1	PTO122.360.088.1	Female Tube with Yoke and Lube System
91	1	PTO122.360.568.1	Male Tube with Yoke and Lube System
94	1	PTO142.266.311.7621	Half Female Guarding with Guarding
95	1	PTO142.267.286.7621	Half Male Guarding
96	1	PTO123.360.519.11	Half Female Shaft with Guarding
97	1	PTO123.460.180.11	Half Male Shaft with Guarding
98	1	PTO190.000.216	"DANGER" Label for Outer Tube
99	1	PTO190.000.215	"DANGER" Label for Outer Guard Tube
100	1	PTO190.000.371	Instruction Manual
101	1	PTO180.016.468	Plastic Cap for Outer Tube

Intentionally Left Blank

Section 6 - Gearboxes

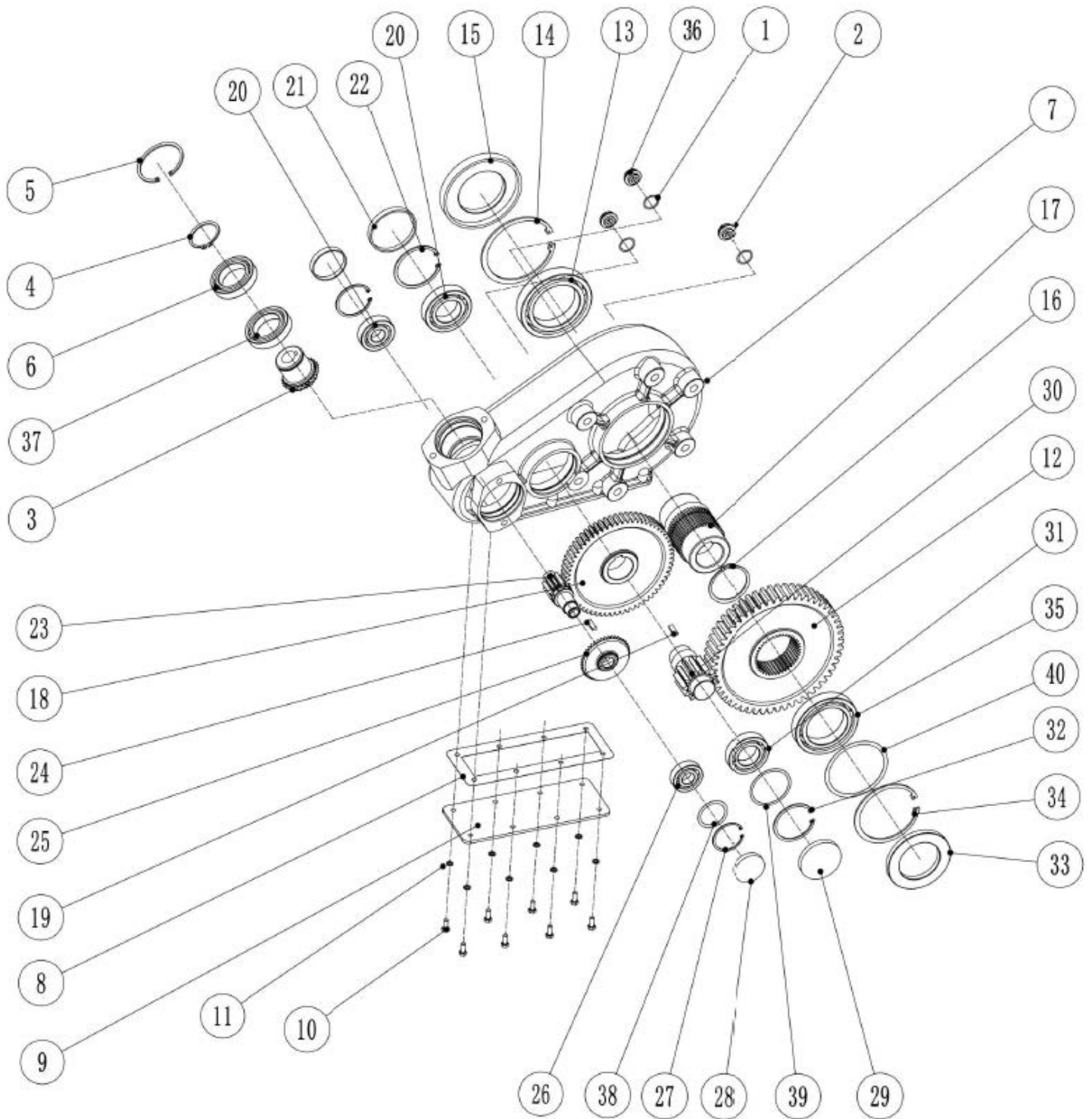
34001 - Apron Chain Gearbox - Up to SN 22NRS274



34001 - Apron Chain Gearbox - Up to SN 22NRS201

ITEM	QTY	PART NUMBER	DESCRIPTION
1	1	15800	Reducer Gearbox
2	1	9185	Gear Wheel Z55
3	1	9194	External Snap Ring E88
4	1	9214	Spline Coupler
5	2	9196	Bearing 6016
6	2	9195	Internal Snap Ring I125
7	1	8670/5	Return Pinion Z12
8	1	4174	Key 12x8x30
9	1	8670/4	Gear Wheel Z50
10	2	3342	Bearing 6208
11	3	3435	Internal Snap Ring I80
12	1	8670/2	Conical Crown Z43
13	1	3396	Key 8x7x25
14	1	8670/3	Return Pinion Z10
15	2	8596	Bearing 6305
16	2	3433	Internal Snap Ring I62
17	1	8670/1	Pinion Z28
18	1	1538	Bearing 6010
19	1	3428	External Snap Ring E50
20	2	9197	Ring Seal 80/125/12-DL
21	2	8243	Cap Ø80 sp.10
22	2	8625	Cap Ø62 sp.10
23	2	1831	Oil Level Indicator Ø1" Gas
24	2	9175	Breather Plug Ø1" Gas
25	1	9199	Cover Gasket
26	1	9198	Gearbox Lid
27	8	3284	Screw TE M8x16-8G
28	1	8671	Engine Gasket

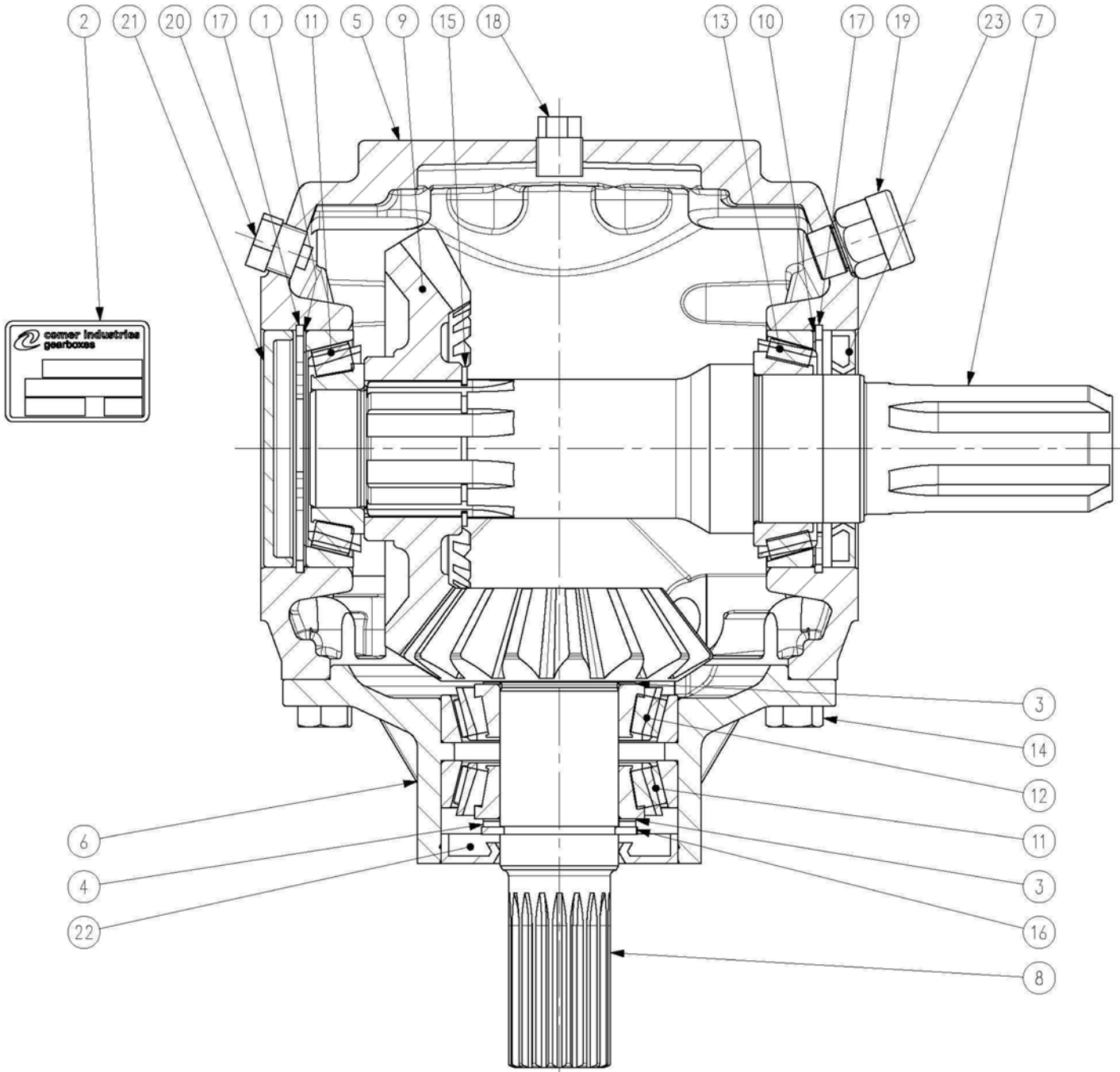
49994 - CNM350 Apron Chain Gearbox - SN 23NRS201 - Current



49994 - CNM Apron Chain Gearbox - SN 23NRS201 - Current

ITEM	QTY	PART NUMBER	DESCRIPTION	NOTE
1	3	49994-01	Gasket G1/2	
2	1	49994-02	Oil Plug G1/2	Items 1,2
3	1	49994-03	Gear 1 M3.5-16	
4	1	49994-04	Circlips For Shafts 45 (t=1.5)	
5	1	49994-05	Circlips For Holes 75 (t=2.5)	
6	1	49994-06	Bearing 6009-2RS	
7	1	49994-07	Housing CNM350	
8	1	49994-08	Gasket	
9	1	49994-09	Cover2	
10	8	49994-10	Hex Bolt M8x20	
11	8	49994-11	Spring Washer 8 Dia	
12	1	49994-12	Gear 1 M3.5-76	
13	1	49994-13	Bearing 6016	
14	1	49994-14	Circlips For Holes 125 (T=4)	
15	1	49994-15	Seal 78 125 10 TC	
16	1	49994-16	Circlips For Holes 80 (t=2.5)	
17	1	49994-17	Gear Shaft 55Dia	
18	1	49994-18	Gear 2 M3-53 (Inc 18/19)	
19	2	49994-19	Key 12x8x25	
20	2	49994-20	Bearing 6207	
21	2	49994-21	Seal Cover 72 10	
22	2	49994-22	Circlips For Holes 72 (t=2.5)	
23	1	49994-23	Gear Shaft 1 M3-15	
24	1	49994-24	Key 12x8x20	
25	1	49994-25	Bevel Gear 2 M3.5-32	
26	1	49994-26	Bearing 6208	
27	1	49994-27	Circlips For Holes 80 (t=2.5)	
28	1	49994-28	Seal Cover 80 10	
29	1	49994-29	Seal Cover 90 10	
30	1	49994-30	Gear Shaft 2 M3.5-14	
31	1	49994-31	Bearing 6308	
32	1	49994-32	Circlips For Holes 90 (t=3)	
33	1	49994-33	Seal 85 130 12 TC	
34	1	49994-34	Circlips For Holes 130 (t=4)	
35	1	49994-35	Bearing 6017	
36	2	49994-36	Oil Level G1/2	Incl Item 1
37	1	49994-37	Bearing 6009	
38	3	49994-38	Shim Kit 79.8x70x0.2/0.3/0.5	
39	3	49994-39	Shim Kit 89.8x78x0.2/0.3/0.5	
40	3	49994-40	Shim Kit 130x115x0.2/0.3/0.5	
		49994-RK	CNM350 Repair Kit	
		49994-SK	CNM350 Seal Kit	

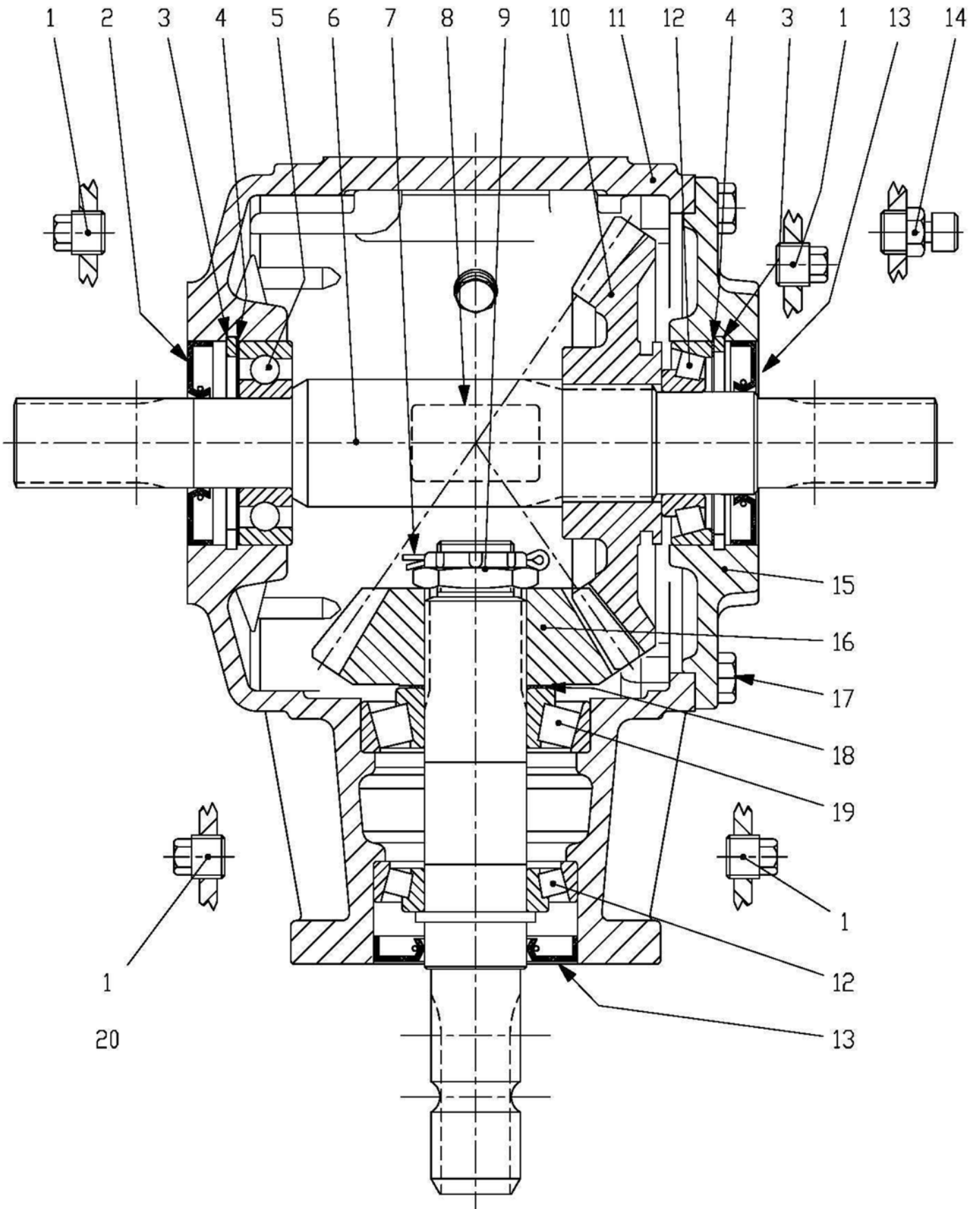
30847-2 - 1 3/4" Spline Shaft Gearbox (9.278.760.00)



30847-2 - 1 3/4" Spline Shaft Gearbox (9.278.760.00)

ITEM	QTY	PART NUMBER	DESCRIPTION
1	1	0.110.7500.00	Shim 65.3 X 79.7
2	1	0.124.7101.00	Plate "Comer"
3	2	0.244.7500.00	Shim Kit 40.3x51.5
4	1	0.244.7520.00	Shim 40.3x2.0
5	1	0.278.0304.00	Casing
6	1	0.278.1354.00	Extension
7	1	0.278.2218.00	Shaft 1"3/4 Z6
8	1	0.278.5240.00	Pinion Shaft Z15 M6.2
9	1	0.278.6004.00	Crown Wheel Z24 M6.2
10	1	0.660.7500.00	Shim 79.9
11	2	8.0.9.00024	Bearing 30208
12	1	8.0.9.01060	Bearing 30208
13	1	8.0.9.01241	Bearing 32010 X
14	8	8.1.1.00061	Bolt HH M10x25 UNI5739 8.8
15	1	8.5.1.00260	Snap Ring 46 UNI7435
16	1	8.5.1.00680	Snap Ring Shaft D40 UNI7436
17	2	8.5.2.00030	Snap Ring Hole D80 UNI7437
18	1	8.6.5.00006	Plug External 3/8" Gas
19	1	8.6.7.00161	Breather Plug 3/8" Gas
20	1	8.6.8.01975	Magnetic Plug 3/8" Gas
21	1	8.7.0.00790	Cap 80x10
22	1	8.7.3.00027	Oil Seal 40x80x10
23	1	8.7.3.02599	Dust Lip

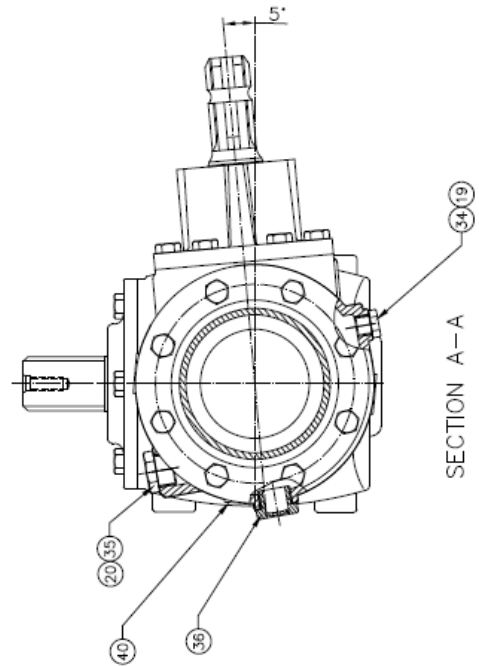
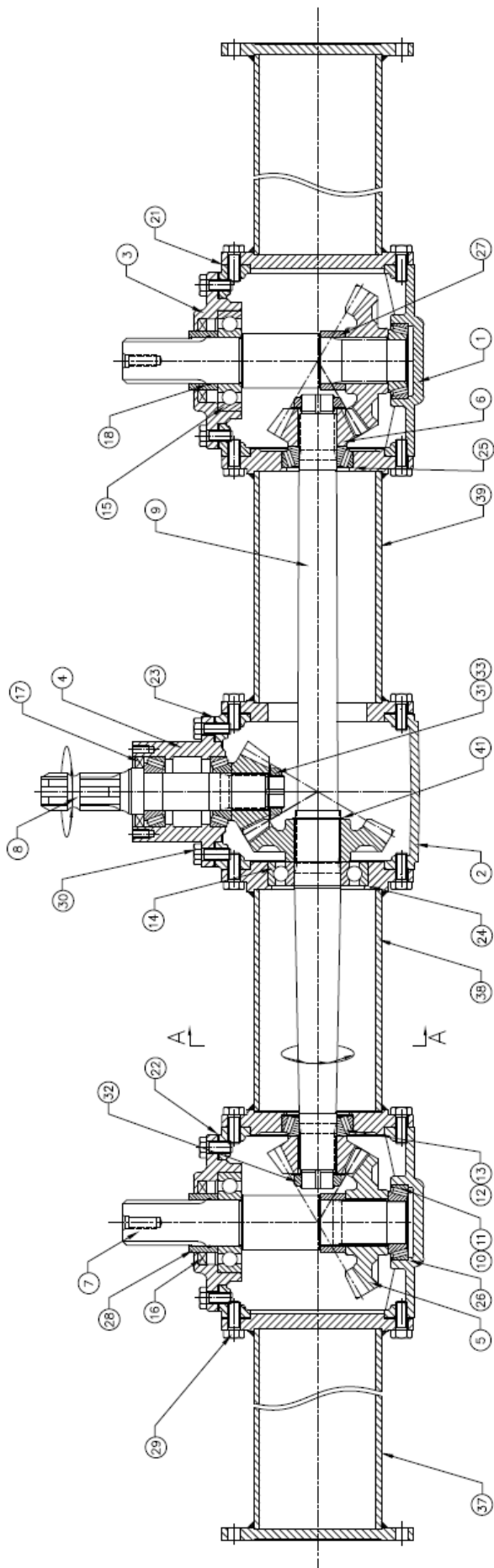
30848 - Centre Gearbox (9.290.621.00)



30848 - Centre Gearbox (9.290.621.00)

ITEM	QTY	PART NUMBER	DESCRIPTION
1	4	8.6.5.00006	Plug 3/8" Gas
2	1	8.7.3.00081	Oil Seal 35x80x10
3	2	8.5.2.01370	Snap Ring 80 UNI7438
4	2	0.267.7500.00	Shim 79.9
5	1	8.0.1.00049	Ball Bearing 6307
6	1	0.290.3216.00	Shaft 35x31 DIN 5482
7	1	8.4.7.01111	Cotter Pin B4x55
8	1	0.124.7101.00	Plate
9	1	0.132.7106.00	Nut M30x1.5
10	1	0.272.5001.00	Crown Wheel Z28 M6.22
11	1	0.290.0308.00	Casing
12	2	8.0.9.00024	Bearing 30208
13	2	8.7.3.00027	Oil Seal 40x80x10
14	1	8.6.7.00161	Oil Filler Plug 3/8" Gas
15	1	0.290.1367.00	Cover
16	1	0.272.6001.00	Pinion Z19 M6.22
17	8	8.1.1.00061	Bolt M10x25 8.8
18	1	0.244.7500.00	Shim Kit 40.3x51.5
19	1	8.0.9.00128	Bearing 30308
20	1	0.290.2001.00	Shaft








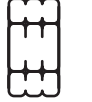
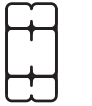

42409 - Beater Gearbox (251393)



42409 - Beater Gearbox (251393)

ITEM	QTY	PART NUMBER	DESCRIPTION
1	2	010614	Side Gearbox Housing
2	1	010615	Central Gearbox 5" Offset Housing
3	2	020578	Output Cap
4	1	020579	Cantilevered Cap
5	3	031423	22T Bevel
6	3	031424	13T Bevel
7	2	041035	Output Shaft 2.125" 8-Spline
8	1	041036	Input Shaft 1.75" 6-Spline
9	1	041038	Thru Shaft
10	2	050220	Bearing Cup 32210
11	2	050221	Bearing Cone 32210
12	4	050474	Bearing Cup 32209
13	4	050475	Bearing Cone 32209
14	1	050414	Bearing Ball 6311
15	2	050555	Bearing Ball 6311-RS
16	2	060124	Output Seal
17	1	060239	Input Seal
18	2	060485	O-Ring Ø54.5x2.65
19	1	060486	O-Ring Ø18x3
20	1	060487	O-Ring Ø26.5x2.65
21	6	070454	Side Gasket
22	2	070455	Output Gasket
23	1	070456	Input Gasket
24	1	090171	Shim Ø119.5x111xVAR
25	2	090172	Shim Ø84.5x76xVAR
26	2	090173	Shim Ø89.5x81xVAR
27	2	090569	Spacer Ø70x55x30mm
28	2	090570	Spacer Ø70x55x34mm
29	48	110343	Hex Head Cap Screw M14x2.0x35
30	18	110470	Hex Head Cap Screw M14x2.0x30
31	2	120193	Bearing Locknut M40x1.5
32	1	110194	Bearing Locknut M40x1.5 (LH)
33	3	130267	Bearing Washer M40
34	1	140213	Flange Hex Head Plug M20x1.5
35	1	140214	Flange Hex Head Plug M30x1.5
36	1	140215	Sight Glass Plug M33x1.5
37	2	180480	Outer Extension Tube Subassembly
38	1	180481	Left Inner Extension Tube Subassembly
39	1	180482	Right Inner Extension Tube Subassembly
40	1	190156	ID Tag
41	1	200127	External Retaining Ring E55

Torque Value Chart - Imperial

SAE Grade and Head Markings	1 or 2 ^b	5	5.1	5.2	8	8.2
	NO MARK					
SAE Grade and Nut Markings	2	5		8		
	NO MARK					

Size	Grade 1				Grade 2 ^b				Grade 5, 5.1, or 5.2				Grade 8 or 8.2			
	Lubricated ^a		Dry ^a		Lubricated ^a		Dry ^a		Lubricated ^a		Dry ^a		Lubricated ^a		Dry ^a	
	N-m	lb-ft	N-m	lb-ft	N-m	lb-ft	N-m	lb-ft	N-m	lb-ft	N-m	lb-ft	N-m	lb-ft	N-m	lb-ft
1/4	3.7	2.8	4.7	3.5	6	4.5	7.5	5.5	9.5	7	12	9	13.5	10	17	12.5
5/16	7.7	5.5	10	7	12	9	15	11	20	15	25	18	28	21	35	26
3/8	14	10	17	13	22	16	27	20	35	26	44	33	50	36	63	46
7/16	22	16	28	20	35	26	44	32	55	41	70	52	80	58	100	75
1/2	33	25	42	31	53	39	67	50	85	63	110	80	120	90	150	115
9/16	48	36	60	45	75	56	95	70	125	90	155	115	175	130	225	160
5/8	67	50	85	62	105	78	135	100	170	125	215	160	240	175	300	225
3/4	120	87	150	110	190	140	240	175	300	225	375	280	425	310	550	400
7/8	190	140	240	175	190	140	240	175	490	360	625	450	700	500	875	650
1	290	210	360	270	290	210	360	270	725	540	925	675	1050	750	1300	975
1-1/8	400	300	510	375	400	300	510	375	900	675	1150	850	1450	1075	1850	1350
1-1/4	570	425	725	530	570	425	725	530	1300	950	1650	1200	2050	1500	2600	1950
1-3/8	750	550	950	700	750	550	950	700	1700	1250	2150	1550	2700	2000	3400	2550
1-1/2	1000	725	1250	925	990	725	1250	930	2250	1650	2850	2100	3600	2650	4550	3350

DO NOT use these values if a different torque value or tightening procedure is given for a specific application. Torque values listed are for general use only. Check tightness of fasteners periodically.

Shear bolts are designed to fail under predetermined loads. Always replace shear bolts with identical grade.

Fasteners should be replaced with the same or higher grade. If higher grade fasteners are used, these should only be tightened to the strength of the original.

Make sure fasteners threads are clean and that you properly start thread engagement. This will prevent

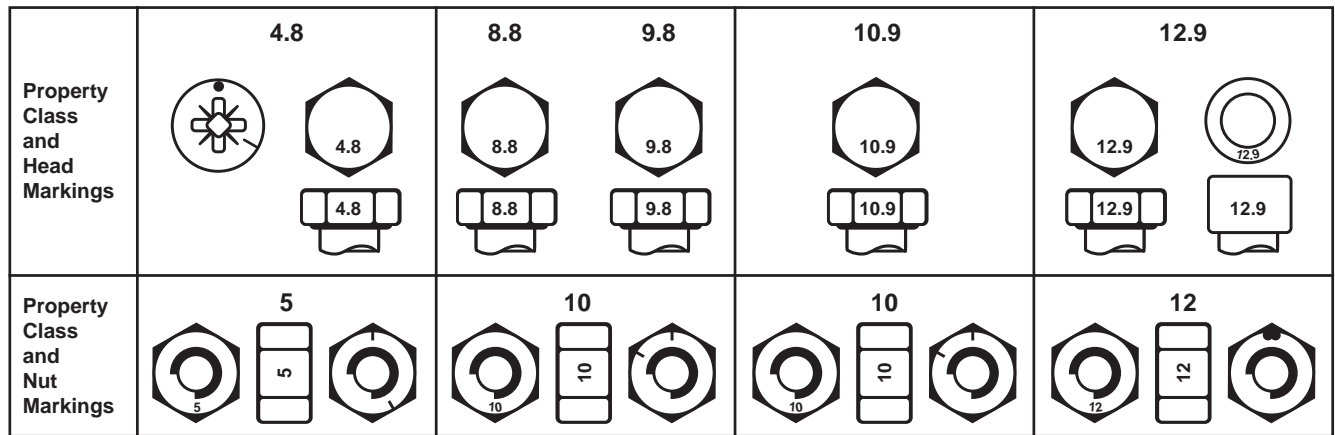
them from failing when tightening.

Tighten plastic insert or crimped steel-type lock nuts to approximately 50 percent of the dry torque shown in the chart, applied to the nut, not to the bolt head. Tighten toothed or serrated-type lock nuts to the full torque value.

^a "Lubricated" means coated with a lubricant such as engine oil, or fasteners with phosphate and oil coatings. "Dry" means plain or zinc plated without any lubrication.

^b Grade 2 applies for hex cap screws (not hex bolts) up to 152 mm (6-in.) long. Grade 1 applies for hex cap screws over 152 mm (6-in.) long, and for all other types of bolts and screws of any length.

Torque Value Chart - Metric



Size	Class 4.8				Class 8.8 or 9.8				Class 10.9				Class 12.9			
	Lubricated ^a		Dry ^a		Lubricated ^a		Dry ^a		Lubricated ^a		Dry ^a		Lubricated ^a		Dry ^a	
	N-m	lb-ft	N-m	lb-ft	N-m	lb-ft	N-m	lb-ft	N-m	lb-ft	N-m	lb-ft	N-m	lb-ft	N-m	lb-ft
M6	4.8	3.5	6	4.5	9	6.5	11	8.5	13	9.5	17	12	15	11.5	19	14.5
M8	12	8.5	15	11	22	16	28	20	32	24	40	30	37	28	47	35
M10	23	17	29	21	43	32	55	40	63	47	80	60	75	55	95	70
M12	40	29	50	37	75	55	95	70	110	80	140	105	130	95	165	120
M14	63	47	80	60	120	88	150	110	175	130	225	165	205	150	260	190
M16	100	73	125	92	190	140	240	175	275	200	350	255	320	240	400	300
M18	135	100	175	125	260	195	330	250	375	275	475	350	440	325	560	410
M20	190	140	240	180	375	275	475	350	530	400	675	500	625	460	800	580
M22	260	190	330	250	510	375	650	475	725	540	925	675	850	625	1075	800
M24	330	250	425	310	650	475	825	600	925	675	1150	850	1075	800	1350	1000
M27	490	360	625	450	950	700	1200	875	1350	1000	1700	1250	1600	1150	2000	1500
M30	675	490	850	625	1300	950	1650	1200	1850	1350	2300	1700	2150	1600	2700	2000
M33	900	675	1150	850	1750	1300	2200	1650	2500	1850	3150	2350	2900	2150	3700	2750
M36	1150	850	1450	1075	2250	1650	2850	2100	3200	2350	4050	3000	3750	2750	4750	3500

DO NOT use these values if a different torque value or tightening procedure is given for a specific application. Torque values listed are for general use only. Check tightness of fasteners periodically.

Shear bolts are designed to fail under predetermined loads. Always replace shear bolts with identical property class.

Fasteners should be replaced with the same or higher property class. If higher property class fasteners are used, these should only be tightened to the strength of the original.

Make sure fasteners threads are clean and that you

properly start thread engagement. This will prevent them from failing when tightening.

Tighten plastic insert or crimped steel-type lock nuts to approximately 50 percent of the dry torque shown in the chart, applied to the nut, not to the bolt head. Tighten toothed or serrated-type lock nuts to the full torque value.

a "Lubricated" means coated with a lubricant such as engine oil, or fasteners with phosphate and oil coatings. "Dry" means plain or zinc plated without any lubrication.

Index

30839 - PTO Shaft - Primary Shaft for Manure Spreader N375-N6005-2
30840 - PTO Slip Clutch for Manure Spreader5-4
30841 - PTO Slip Clutch for Manure Spreader5-6
30847-2 - 1 3/4" Spline Shaft Gearbox (9.278.760.00)6-6
30848 - Centre Gearbox (9.290.621.00).6-8
34001 - Apron Chain Gearbox - Up to SN 22NRS2746-2
39850 - PTO. 375,450,525,600,750 (V80-141P028359-028028-CV80-CLS)5-8
39852 - PTO. 600, 750,275,725 (T60-086P265011-306028-CLS(2500NM)	5-10
42409 - Beater Gearbox (251393)	6-10
49994 - CNM350 Apron Chain Gearbox - SN 23NRS201 - Current6-4
Apron Runners	2-40
Beater Cross Beam (40684) - Up to SN 20NRS249	2-22
Beater Greaselines	2-28
Beaters (37590) - Up to SN 20NRS249	2-20
Beaters (46925) - SN 21NRS001 to Current	2-26
Driveline - SN 16NS011 to Current	2-12
Driveline - Up to SN 16NS010	2-10
Electric Flow Control Hydraulic Layout - Current	3-23
Electric Flow Control Hydraulic Layout - Original	3-22
Electric Flow Control Wiring	3-24
Endgate Indicator - 45861	3-26
Endgate - SN 21NRS201 to Current	2-18
Endgate - Up to SN 20NRS249	2-16
Floor & Side Boards	2-32
Flow Control Mounting	3-20
Front Apron Drive.2-8
Front Components2-2
Front Shields- SN 16NS011 to Current2-6
Front Shields - Up to SN 16NS0102-4
Hitch Options3-2
Hydraulic Layout	2-42
Hydraulic Light Kit - Up to SN 18NRS244	3-11
ISO Safety Decal Locations IX
ISO Safety Decals X
Light Kit Hydraulics - Up to SN 18NRS244	3-12
Light Kit Wiring Harness	3-14
Lights - Up to SN 18NRS2443-8
Manual Flow Control Hydraulic Layout	3-21
Manual Light Kit - Up to SN 18NRS244	3-10
Manuals I
Mechanical Light Kit (43622) - SN 19NRS200 to Current3-4
Mechanical Light Kit (43622) - Up to SN 18NRS2543-6
Model Decal Locations VII
Model DecalsVIII

N375SB - Single Axle Brake Kit	3-16
N375TB - Tandem Axle Brake Kit	3-17
N750LC (GT400) / N750LCNT460 Scales	3-18
N750LCNT8000 Scales	3-19
Nitro Apron Chain Warranty	I
Optional Flange Paddle Kit (41504) - Up to SN 20NRS249	2-24
Optional Flange Paddle Kit (47553) - SN 21NRS001 to Current	2-29
Optional Kit Numbers	3-1
Parts Manual	I
Poultry Beaters - Beaters	4-5
Poultry Beaters - Drivelines	4-7
Poultry Beaters - Endgate	4-3
Poultry Beaters - Frame	4-1
Poultry Beaters - Spinners	4-9
Rear Apron Drive	2-30
Safety Decals	V
Safety Decals	VI
Safety Sign Locations	IV
Section 2 - Parts Breakdowns & Lists	2-1
Section 3 - Optional Features	3-1
Section 4 - Option - Poultry Beaters	4-1
Section 5 - PTOs	5-1
Section 6 - Gearboxes	6-1
Serial Number	I
Side Shields - Up to SN 19NRS200	2-14
Single Axle	2-34
Tandem Axle - SN 19NRS200 to Current	2-38
Tandem Axle - Up to SN 18NRS254	2-36
Torque Value Chart - Imperial	IX
Torque Value Chart - Metric	X
Warranty and Limitation of Liability	I



Scan with smartphone to
download latest manual.

TUBE•LINE™