

TUBE•LINE™

Tubeline Manufacturing Limited
6455 Reid Woods Drive RR #4
Elmira, Ontario, Canada N3B 2Z3

Email: sales@tubeline.ca

Fax: 519.669.5808

Tel: 519.669.9488

Toll-free (North America): 1.888.856.6613

www.tubeline.ca

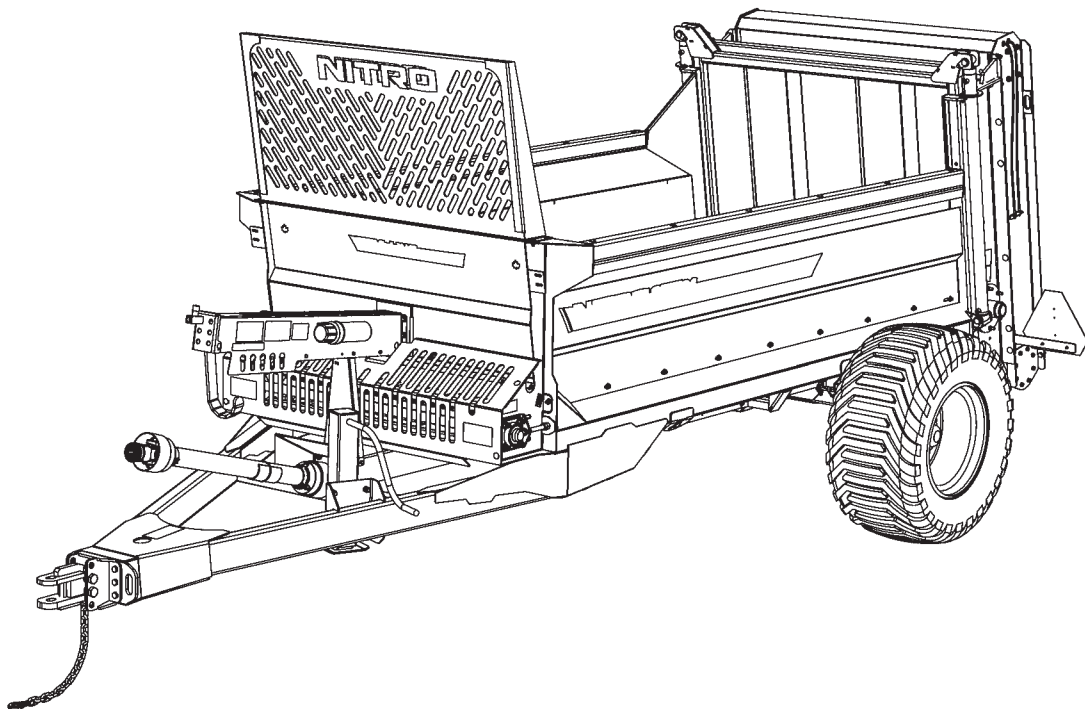
Parts Manual

Keep this manual with the machine at all times.

NITRO

Manure Spreader

Nitro 275RS



Parts Manual

Thank you for choosing the Tubeline 275RS Manure Spreader. Our hope is that it will give you many years of productive service. This machine is designed to spread various types of manure evenly over a wide area.

Warranty and Limitation of Liability

All equipment is sold subject to mutual agreement that it is warranted by the company to be free from defects of materials and workmanship. But the company shall not be liable for special, indirect or consequential, damages of any kind under this contract or otherwise. The company's liability shall be limited exclusively to replacing or repairing without charge, at its factory or elsewhere, at its discretion.

Any material, or workmanship defects which become apparent within one year from the date on which the equipment was purchased, and the company shall have no liability for damages of any kind. The buyer by the acceptance of the equipment will assume all liability for any damages, which may result from the use or misuse by his employees or others.

Nitro Apron Chain Warranty



Tubeline Manufacturing Ltd offers a limited lifetime non-transferable warranty to the original purchaser of a Nitro manure spreader. This warranty applies to chain link breakage and covers parts only. Should a connecting link fail, only it will be replaced. However, if a standard link breaks the complete chain will be provided. Freight and labor to install is the responsibility of the purchaser and is not covered under the terms of the limited warranty.

Tubeline Manufacturing Ltd reserves the right to request the return of the failed chain.

Warranty coverage is null and void unless Warranty Registration form has been completely filled in and is on file at Tubeline Manufacturing Ltd.

Manuals

Parts manuals are printed and shipped with machines as they leave the manufacturer. Your machine may include parts or features not yet included in the initially shipped manual. The latest manual version can be found at www.tubeline.ca/support. Tubeline reserves the right to update and change manuals as seen fit. Dealers are informed of any pressing changes/ modifications. They can help you with any questions regarding replacement parts.

Serial Number

The implement serial number is located above the front left apron drive bearing. This number helps us to track changes and improvements and must be mentioned when ordering parts or requesting service. For your convenience, a space has been provided inside the front cover of this manual to record the serial number, model number, purchase date, and dealer name.

Model No: 275RS

Serial No: _____

Date Purchased: _____

Dealer Name: _____

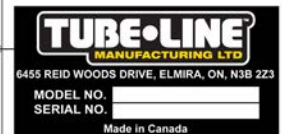
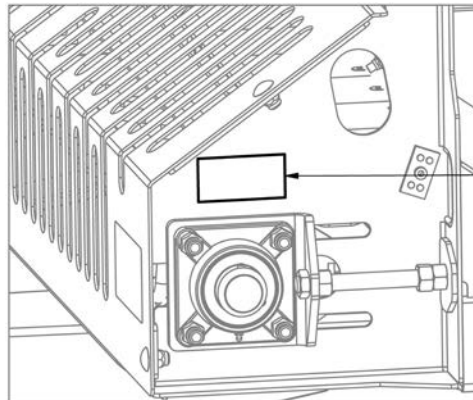


Table of Contents

Parts Manual	II
Warranty and Limitation of Liability	II
Nitro Apron Chain Warranty	II
Manuals	II
Serial Number	II
Safety Sign Locations	V
Safety Decals	VI
ISO Safety Decal Locations	VIII
ISO Safety Decals	IX
Model Decal Locations	X
Model Decal List	XI
Section 2 - Parts Breakdowns & Lists	2-1
Hitch	2-2
Front Shields	2-4
Front Apron Drive	2-6
Driveline	2-8
Rear Apron Drive	2-10
Endgate	2-12
Beaters	2-14
Floor & Side Boards	2-16
Single Axle	2-18
Tandem Axle (w/o Scales)	2-20
Tandem Axle (w/ Scales)	2-22
Apron Runners	2-24
Hydraulic Layout	2-26
Beater Greaselines	2-28
Section 3 - Optional Features	3-1
Optional Kit Numbers	3-1
Hitch Options	3-2
Mechanical Light Kit - 43622 (Serial No. 19NRS101 to current)	3-4
Mechanical Light Kit - 43622 (Up to Serial No. 18NRS138)	3-6
Light Kit Wiring Harness	3-8
N750LC (GT400) / N750LCNT460 Scales	3-10
N750LCNT8000 Scales	3-11
Flow Control Mounting	3-12
Flow Control Hydraulic Layout - Manual	3-13
Flow Control Hydraulic Layout - Electric (Original)	3-14
Flow Control Hydraulic Layout - Electric (Current)	3-15
Electric Flow Control Wiring	3-16
N275SB - Single Axle Brake Kit	3-18
N275TB - Tandem Axle Brake Kit	3-19
Endgate Indicator - 45865	3-20
Flange Paddle Kit - 43864	3-22
Section 4 - PTOs	4-1
39850 - PTO. 375,450,525,600,750 (V80-141P028359-028028-CV80-CLS)	4-2
39852 - PTO. 600, 750 (T60-086P265011-306028-CLS(2500NM))	4-4

Section 5 - Gearboxes	5-1
34001 - Apron Chain Gearbox - Up to SN 22NRS130	5-2
49994 - CNM350 Apron Chain Gearbox - SN 23NRS101 - Current	5-4
42409 - Beater Gearbox (251393).	5-6
Torque Value Chart - Imperial	X
Torque Value Chart - Metric	XI

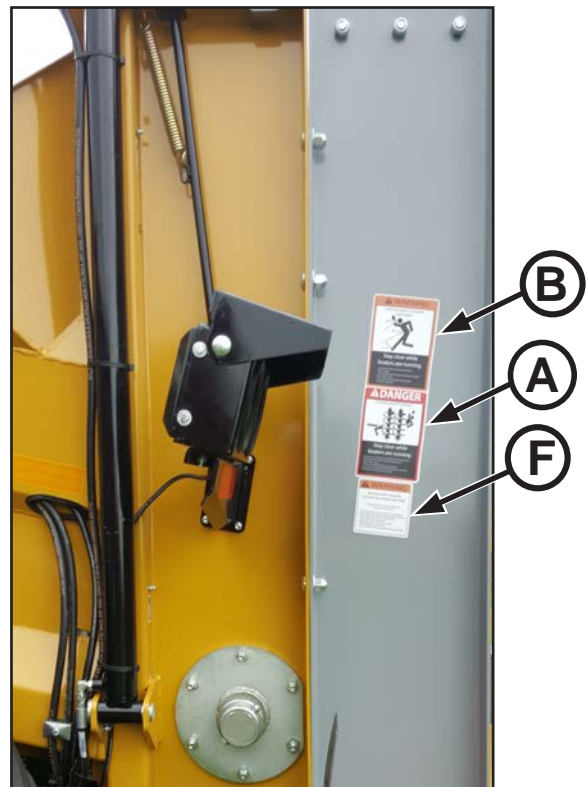
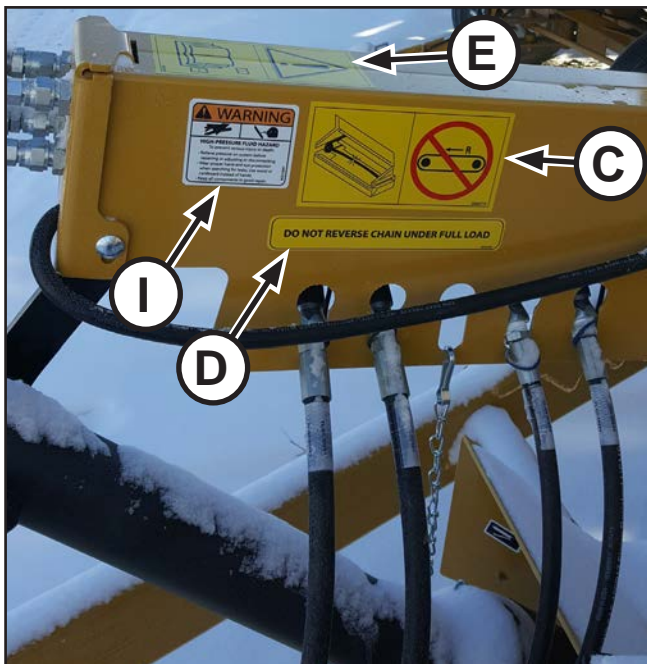
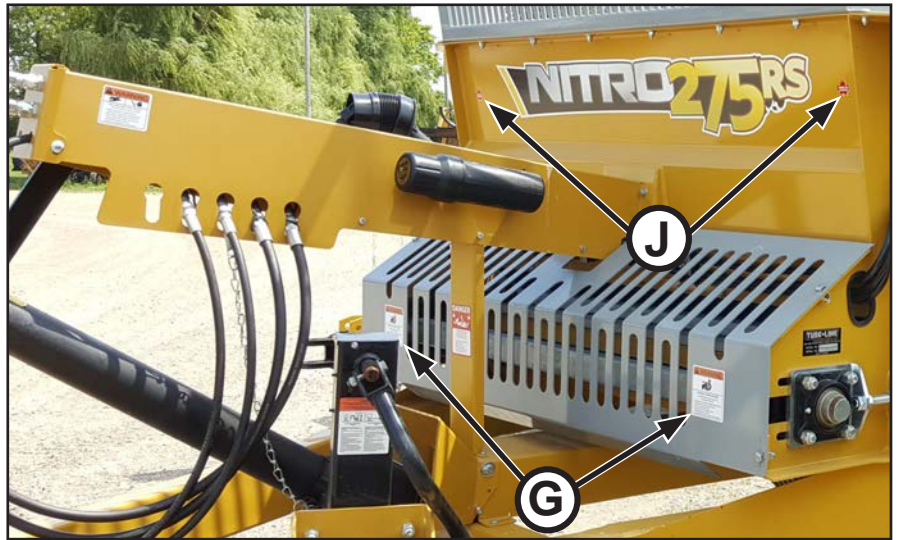
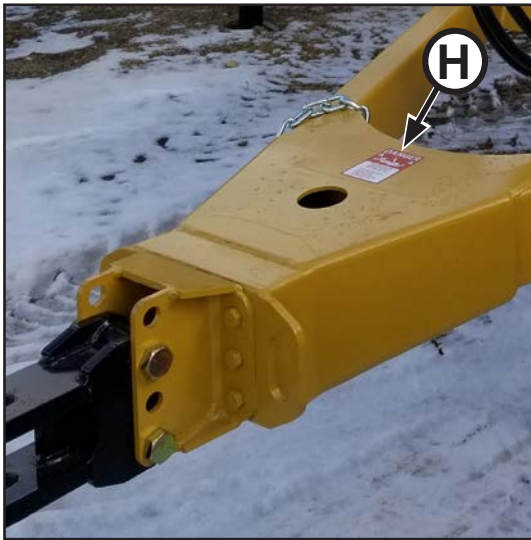
Safety Sign Locations

The types of safety signs and locations on the equipment are shown in the illustrations that follow. Good safety requires that you familiarize yourself with the various safety signs, the types of warning, and the area, or proper function related to that area, that requires your safety awareness.

Examples only - Actual decals may differ in text and graphic representation.

REMEMBER

If safety signs have been damaged, removed, become illegible or parts replaced without safety signs, new safety signs must be applied. New safety signs are available from your authorized dealer.



Safety Decals

Item: A
Part No: DE39395

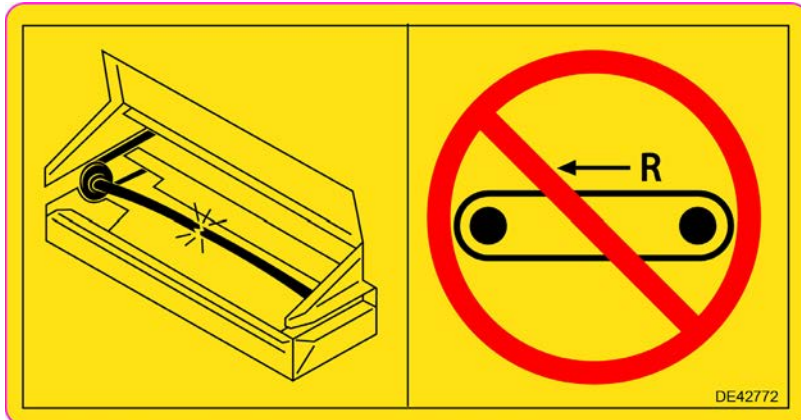


Item: B
Part No: DE39396



Item: C
Part No: DE42772

Reversing apron chain while spreader is fully loaded will cause front apron shaft breakage.



Item: D
Part No: DE42782 - Reversing apron chain while spreader is fully loaded will cause front apron shaft breakage.



Item: E Part No: DE42784
See Operators Manual for decal explanation.



Safety Decals

Item: F
Part No: DE23845



Item: G
Part No: DE23836



Item: H
Part No: DE39397



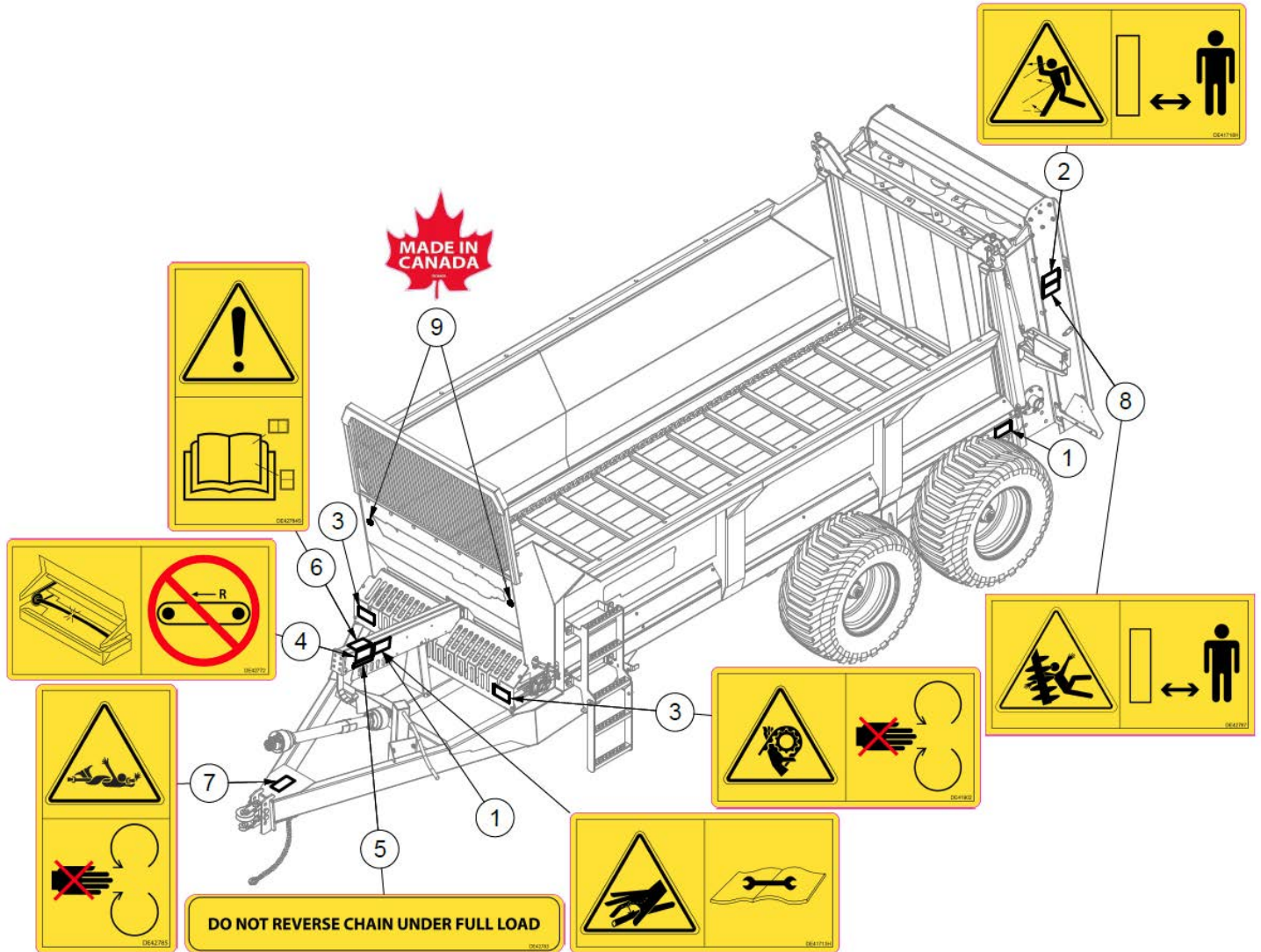
Item: I
Part No: DE23838



Item: J
Part No: DECANADA



ISO Safety Decal Locations



ITEM	QTY	PART NUMBER	DESCRIPTION
1	6	DE41713H	ISO Decal - High Pressure Fluid Horizontal
2	2	DE41718H	ISO Decal - Thrown Object Horizontal
3	2	DE41902	ISO Decal - Chain Entanglement
4	1	DE42772	ISO Decal - Nitro Reverse Chain
5	1	DE42783	Nitro Reverse Chain Text Decal
6	1	DE42784	ISO Decal - Read OM Decals Section
7	1	DE42785	ISO Decal - PTO Entanglement
8	2	DE42787	ISO Decal - Nitro Beater Entanglement
9	2	DECANADA	Decal Made In Canada

ISO Safety Decals



Item 1: DE41713H

Do not use hand to check for hydraulic leaks, alternatively use a piece of cardboard.



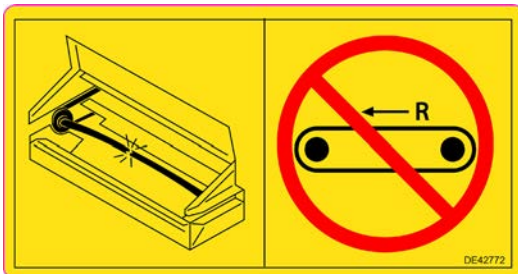
Item 2: DE41718H

Keep clear of machine while operating. Serious injury may occur.



Item 3: DE41902

Keep hands clear of rotating parts while machine running. Do not operate without shielding in place. Do not wear loose clothing while operating.



Item 4: DE42772

Reversing apron chain while spreader is fully loaded will cause front apron shaft breakage.



Item 5: DE42783



Item 6: DE42784

Read Operator's manual decal section to understand safety decals.



Item 7: DE42785

Do not use hand to check for hydraulic leaks, alternatively use a piece of cardboard.

Item 8: DE42787

Stand clear of rotating beaters to avoid entanglement. Serious injury or death hazard.



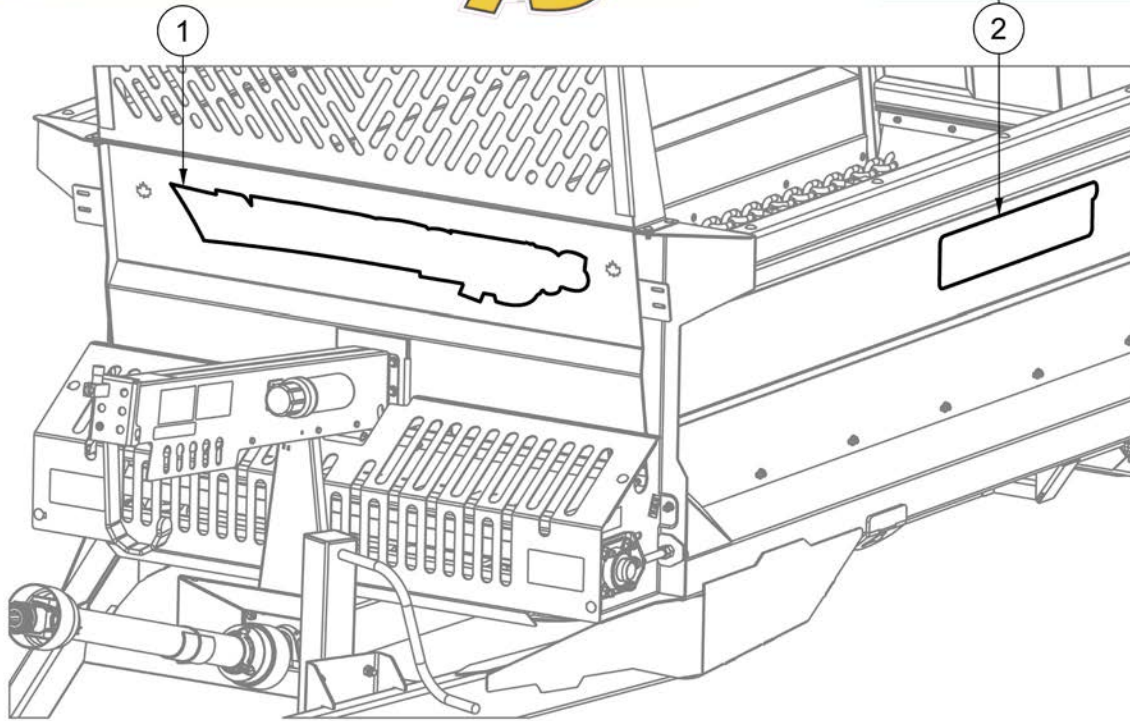
Item 9: DECANADA

Manufacturer's country of origin.



Model Decal Locations

Original



Current

TUBE-LINE

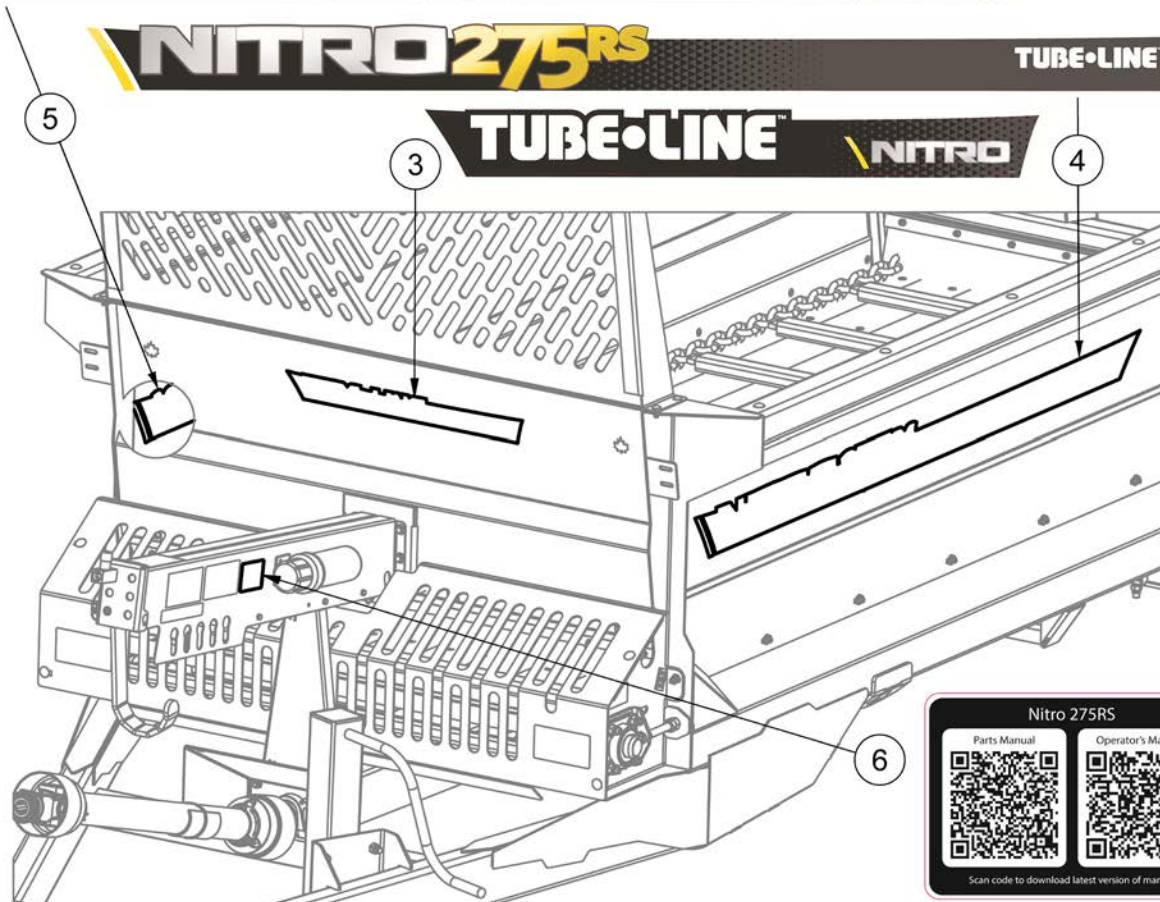
NITRO 275RS

NITRO 275RS

TUBE-LINE

TUBE-LINE

NITRO

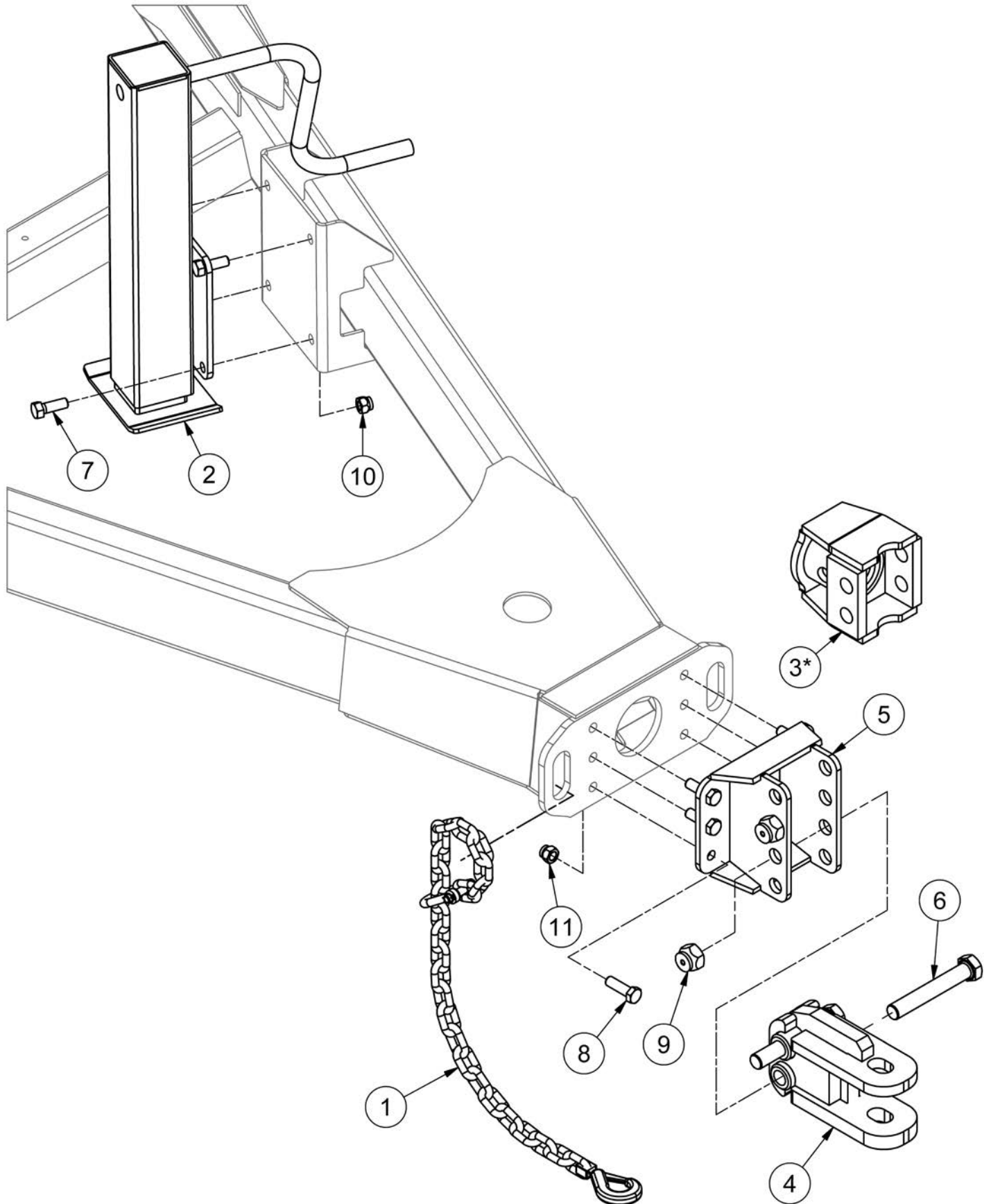


Model Decal List

ITEM	QTY	PART NUMBER	DESCRIPTION
1	1	DE42000	Decal Nitro N275 8" X 50"
2	2	DE30837	Tubeline Decal 7.25" x 30"
3	1	DE44909	N275RS Front Decal
4	1	DE44910	N275RS Left Side Decal
5	1	DE44911	N275RS Right Side Decal
6	1	DE50034	275RS QR Code Decal

Section 2 - Parts Breakdowns & Lists

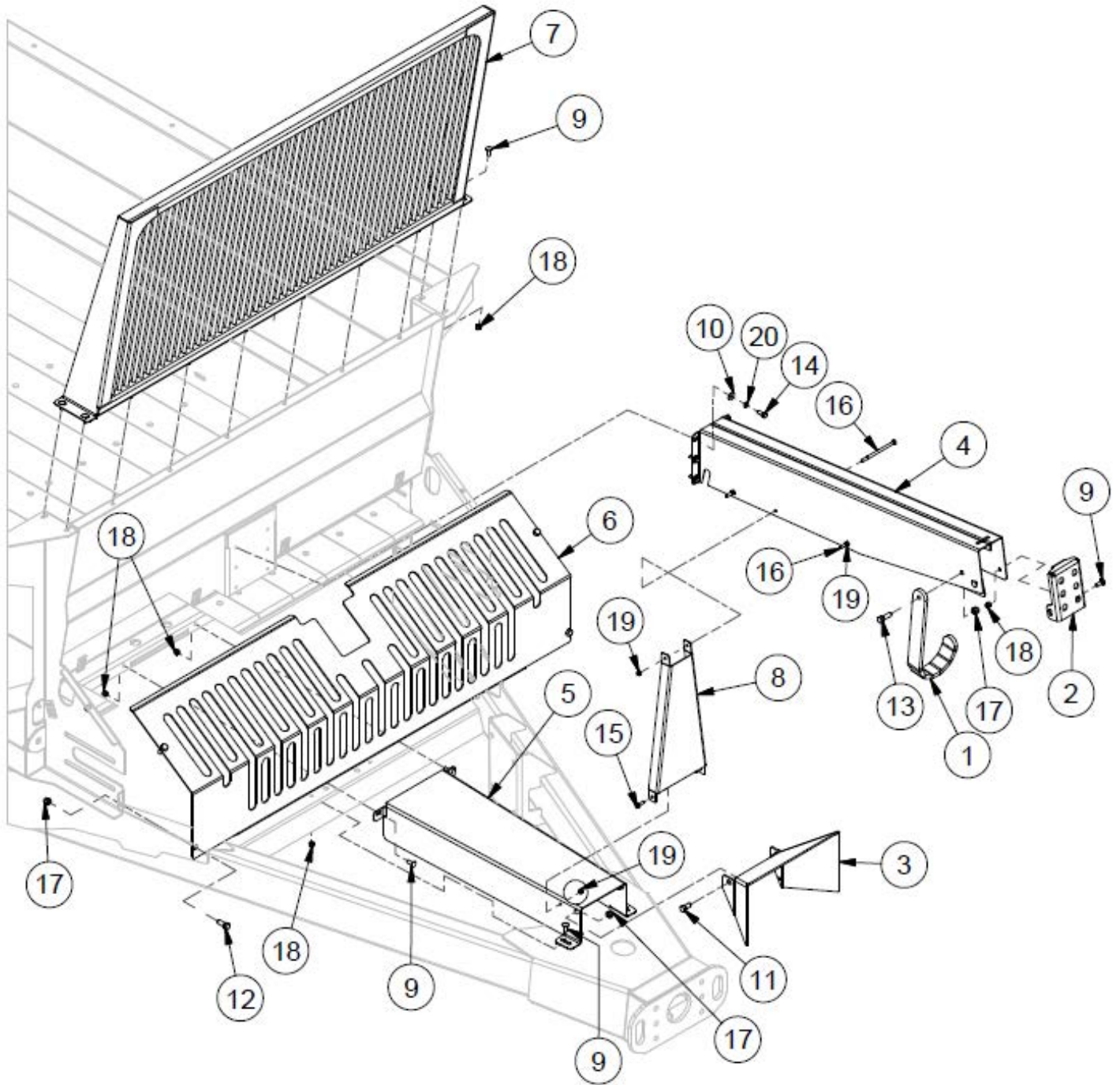
Hitch



Hitch

ITEM	QTY	PART NUMBER	DESCRIPTION	NOTE
1	1	25262	Safety Chain 20000 # 60"	
2	1	30850	Implement Jack -15" - 12000# Manure Spreaders	
3	1	36241	Cell Hitch	Scale Option Only
4	1	40471	Clevis Hitch Weldment	
5	1	42146	Hitch Pull Unit	
6	2	HB1-14X6.5YZ8	Hex Bolt 1-14x6 1/2 Grade 8 Zinc Hex Cap Screw	
7	4	HB5/8-11X1.75Z5	Hex Bolt 5/8-11x1 3/4 Grade 5 Zinc Plated Hex Cap Screw	
8	6	HB5/8-18X2YZ8	Hex Bolt 5/8-18x2 Grade 8 Zinc Hex Cap Screw	
9	2	LN1-14NFZ5	Center Locknuts (1-14) 2-Way Fine Thread	
10	4	LN5/8-11NCZ5	LN 5/8-11 Zinc Plated Nylon Insert Lock Nut	
11	6	LN5/8-18NFZ5	Center Locknuts (5/8-18) 2-Way Fine Thread	

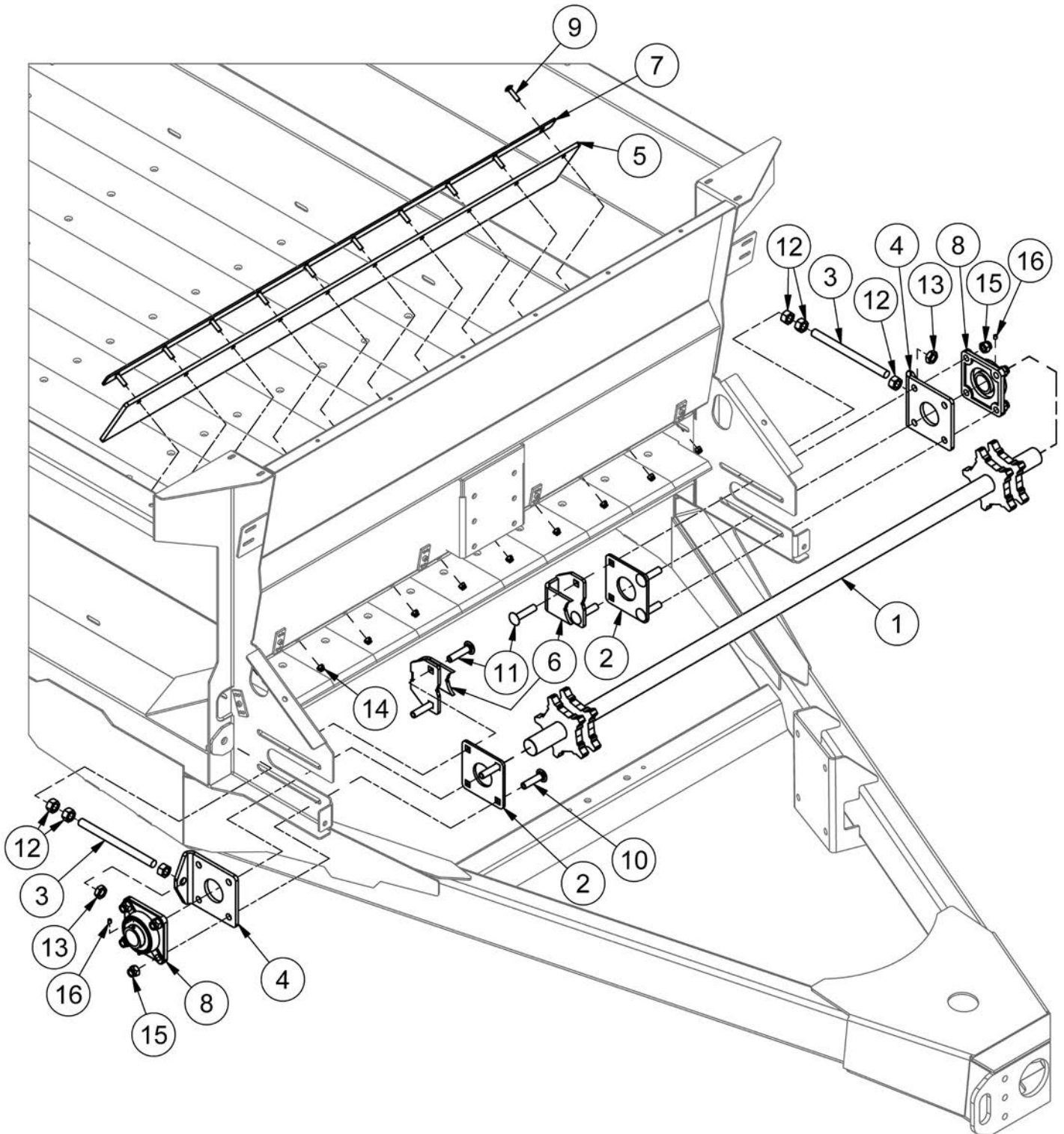
Front Shields



Front Shields

ITEM	QTY	PART NUMBER	DESCRIPTION
1	1	35754	PTO Holder
2	1	39413	Hose Mount
3	1	39422	PTO Front Pivot Cover
4	1	41911	Hydraulic Hose Hanger
5	1	42104	Drive Shaft Cover
6	1	42105	Front Idler Shaft Cover
7	1	42143	Stone Guard
8	1	42242	Hose Hanger Stiffener
9	16	CB 3/8-16 X1 Z5	Carriage Bolt - 3/8-16 x 1" Grade 5 Zinc
10	6	FW 3/8	Flatwasher - 3/8" Zinc Plated USS
11	2	HB 1/2-13X1 Z5	Hex Bolt 1/2-13x1 Grade 5 Zinc Plated Hex Cap Screw
12	4	HB 1/2-13X1.25 Z5	Hex Bolt 1/2-13x1 1/4 Grade 5 Zinc Plated Hex Cap Screw
13	1	HB 1/2-13X1.5 Z5	Hex Bolt 1/2-13x1 1/2 Grade 5 Zinc Plated Hex Cap Screw
14	6	HB 3/8-16X1 Z5	Hex Bolt 3/8-16x1 Grade 5 Zinc Plated Hex Cap Screw
15	2	HB 5/16-18X1 Z5	Hex Bolt 5/16-18x1 Grade 5 Zinc Plated Hex Cap Screw
16	3	HB 5/16-18X5.5 Z5	Hex Bolt 5/16-18x5 1/2 Grade 5 Zinc Plated Hex Cap Screw
17	7	LN 1/2 N	LN 1/2-13 Zinc Plated Nylon Insert Lock Nut
18	16	LN 3/8 N	LN 3/8-16 Zinc Plated Nylon Insert Lock Nut
19	5	LN 5/16 N	LN 5/16-18 Zinc Plated Nylon Insert Lock Nut
20	6	LW 3/8	LW - 3/8" Zinc Plated Medium Split

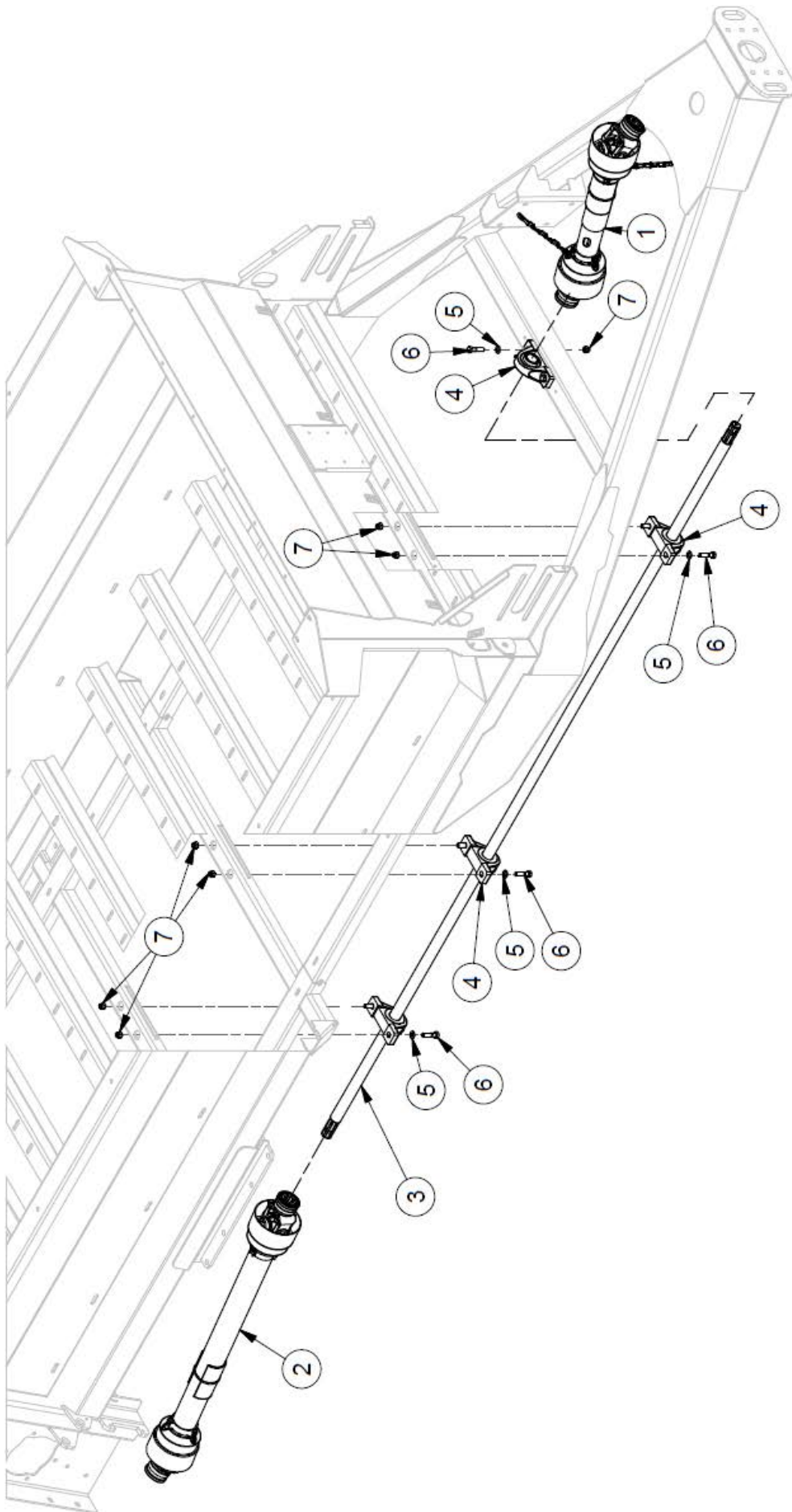
Front Apron Drive



Front Apron Drive

ITEM	QTY	PART NUMBER	DESCRIPTION
1	1	375-145	375 Front Apron Chain Shaft Weldment
2	2	37720	Inside Bearing Plate
3	2	39334	Adjustment Rod THR.75
4	2	400-169	Bearing Mount Plate
5	4	450-441	2 Ply Rubber Belt-V600,V450 (7.0 x 62.5)
6	2	45445	RS Series Front Scraper
7	3	600-790	Rubber Hold Down
8	2	BEA UCF209-28R3	Flange Bearing, Triple Seal, Ductile Iron
9	10	CB3/8-16X1.5CZ5	Carriage Bolt - 3/8-16 x 1 1/2" Grade 5 Zinc
10	4	CB5/8-11X2.5CZ5	Carriage Bolt - 5/8-11 x 2 1/2" Grade 5 Zinc
11	4	CB5/8-11X2.75CZ5	Carriage Bolt - 5/8-11 x 2 3/4" Grade 5 Zinc
12	6	HN3/4-10CZ5	Hex Nut 3/4"-10 Grade 5 Zinc Plated Finished
13	2	HNJ3/4-10	Hex Nut - 3/4-10 Zinc Plated Hex Jam Nut
14	10	LN3/8-16NCZ5	LN 3/8-16 Zinc Plated Nylon Insert Lock Nut
15	8	LN5/8-11NCZ5	LN 5/8-11 Zinc Plated Nylon Insert Lock Nut
16	2	SS5/16-18CX0.375CP	Allan Head Set Screw, 5/16-18 x 3/8

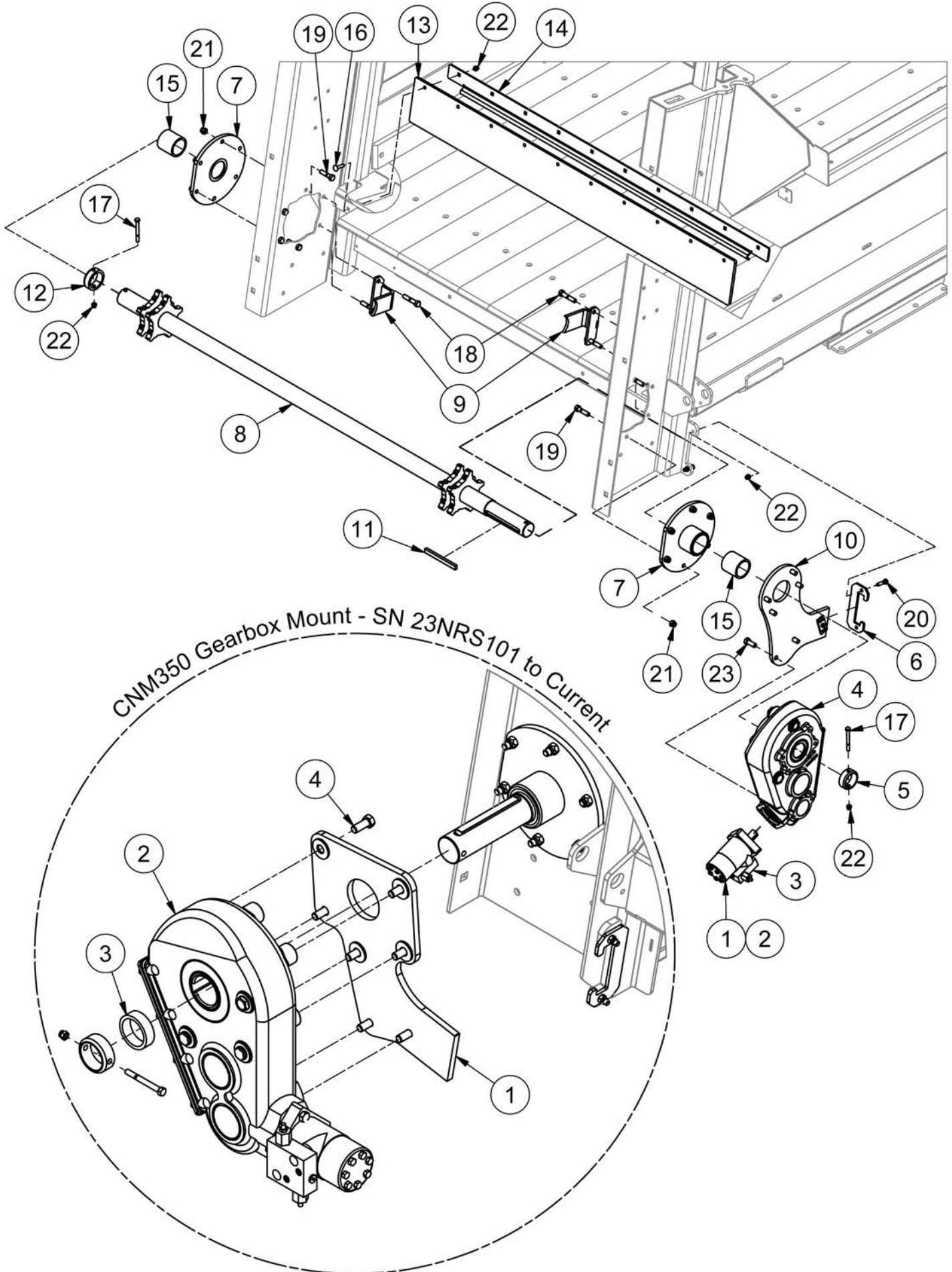
Driveline



Driveline

ITEM	QTY	PART NUMBER	DESCRIPTION
1	1	39850	PTO. 375,450,525,600,750 (V80-141P028359-028028-CV80-CLS)
2	1	39852	PTO. 600, 750 (T60-086P265011-306028-CLS(2500NM)
3	1	42110	Drive Shaft (Nitro 275)
4	4	BEA UCP208-24	Bolt Pilow Block, UCPE208-24 National 2- Heavy Housing
5	8	FW 1/2	Flatwasher - 1/2" Zinc Plated USS
6	8	HB 1/2-13X2 Z5	Hex Bolt 1/2-13x2 Grade 5 Zinc Plated Hex Cap Screw
7	8	LN 1/2 N	LN 1/2-13 Zinc Plated Nylon Insert Lock Nut

Rear Apron Drive



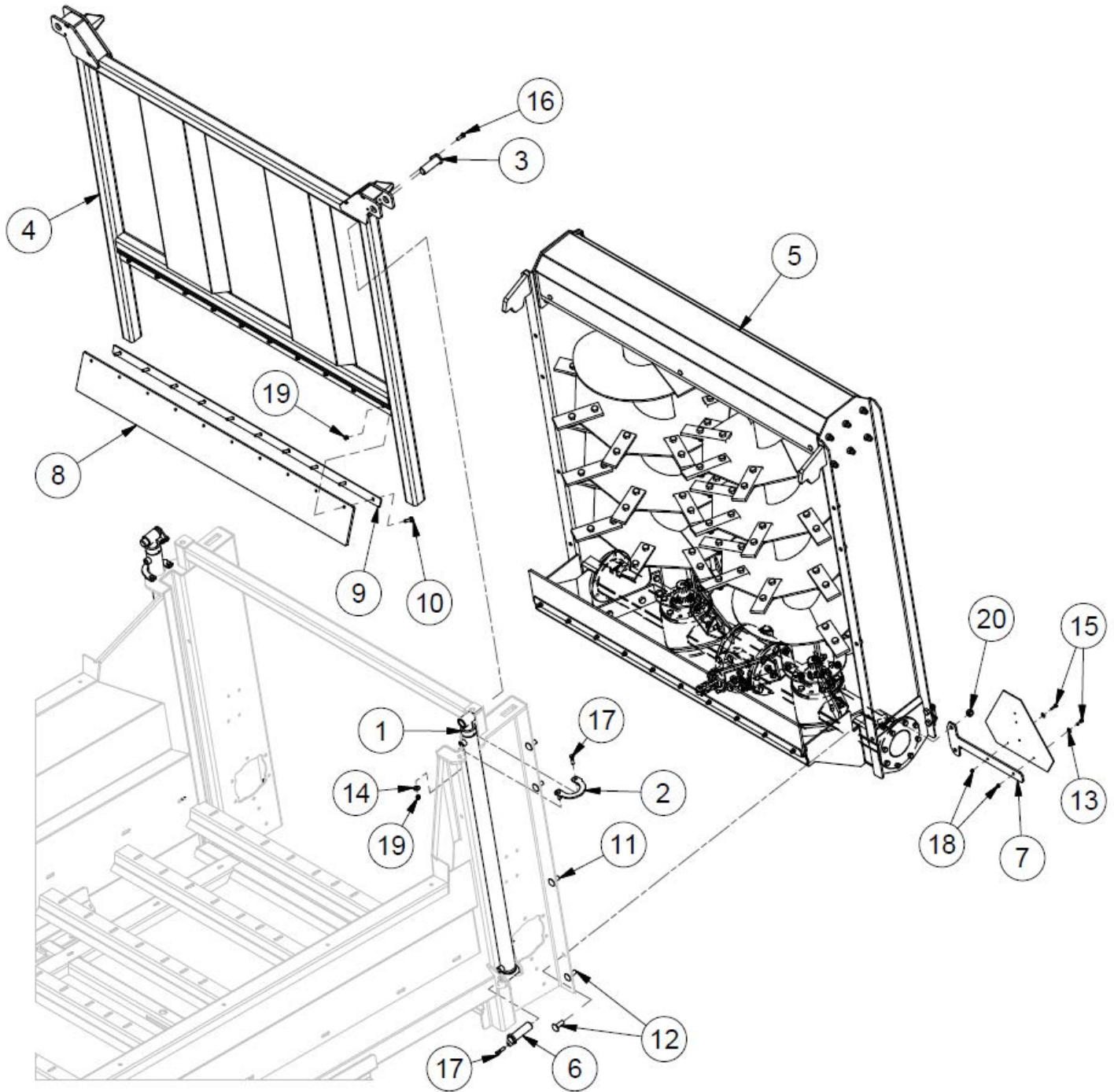
Rear Apron Drive

ITEM	QTY	PART NUMBER	DESCRIPTION	NOTE
1	1	30854	Hydraulic Motor - Spreaders	Standard
2	1	40718	Hydraulic Motor w/ Speed Sensor & Relief	Req. Scale Option
3	1	30856	Hydraulic Cross Port Relief for Motor- Spreaders	
4	1	34001	Gear Box for Spreader Apron- RT420	Up to 22NRS130
5	1	375-371	Apron Shaft Bushing	
6	1	375-433	Torque Arm Retainer	
7	2	37560	350 Rear Shaft Bushing Weldment	
8	1	37563	350 Rear Apron Shaft Weldment	
9	2	37566	375-Rear Scraper Weldment	
10	1	42129	Gear Box Torque Arm	Up to 22NRS130
11	1	43659	Metric Key 16mm x 11mm x 6.25"	
12	1	450-371	Bushing - Apron Shaft	
13	3	450-441	2 Ply Rubber Belt-V600,V450 (7.0 x 62.5)	
14	1	47567	Wiper Guide 62.5"	
15	2	700-431	Polygon 2.875OD x2.383 ID x2.75 LG	
16	30	CB3/8-16X1.5CZ5	Carriage Bolt - 3/8-16 x 1 1/2" Grade 5 Zinc	
17	2	HB 3/8-16X3.5 Z5	Hex Bolt 3/8-16x3 1/2 Grade 5 Zinc Plated Hex Cap Screw	
18	4	HB1/2-13X2.5Z5	Hex Bolt 1/2-13x2 1/2 Grade 5 Zinc Plated Hex Cap Screw	
19	12	HB1/2-13X2Z5	Hex Bolt 1/2-13x2 Grade 5 Zinc Plated Hex Cap Screw	
20	8	HB3/8-16X1.5Z5	Hex Bolt 3/8-16x1 1/2 Grade 5 Zinc Plated Hex Cap Screw	
21	12	LN1/2-13NCZ5	LN 1/2-13 Zinc Plated Nylon Insert Lock Nut	
22	4	LN3/8-16NCZ5	LN 3/8-16 Zinc Plated Nylon Insert Lock Nut	
23	13	M14X35X2	Metric Bolt	

CNM350 Gearbox Mount - SN 23NRS101 - Current

ITEM	QTY	PART NUMBER	DESCRIPTION
1	1	49950	CNM350 Torque Arm Asm.
2	1	49994	CNM350 Apron Gear Box
3	1	50071	275 Apron Gearbox Spacer
4	7	M14X35X2	Metric Bolt

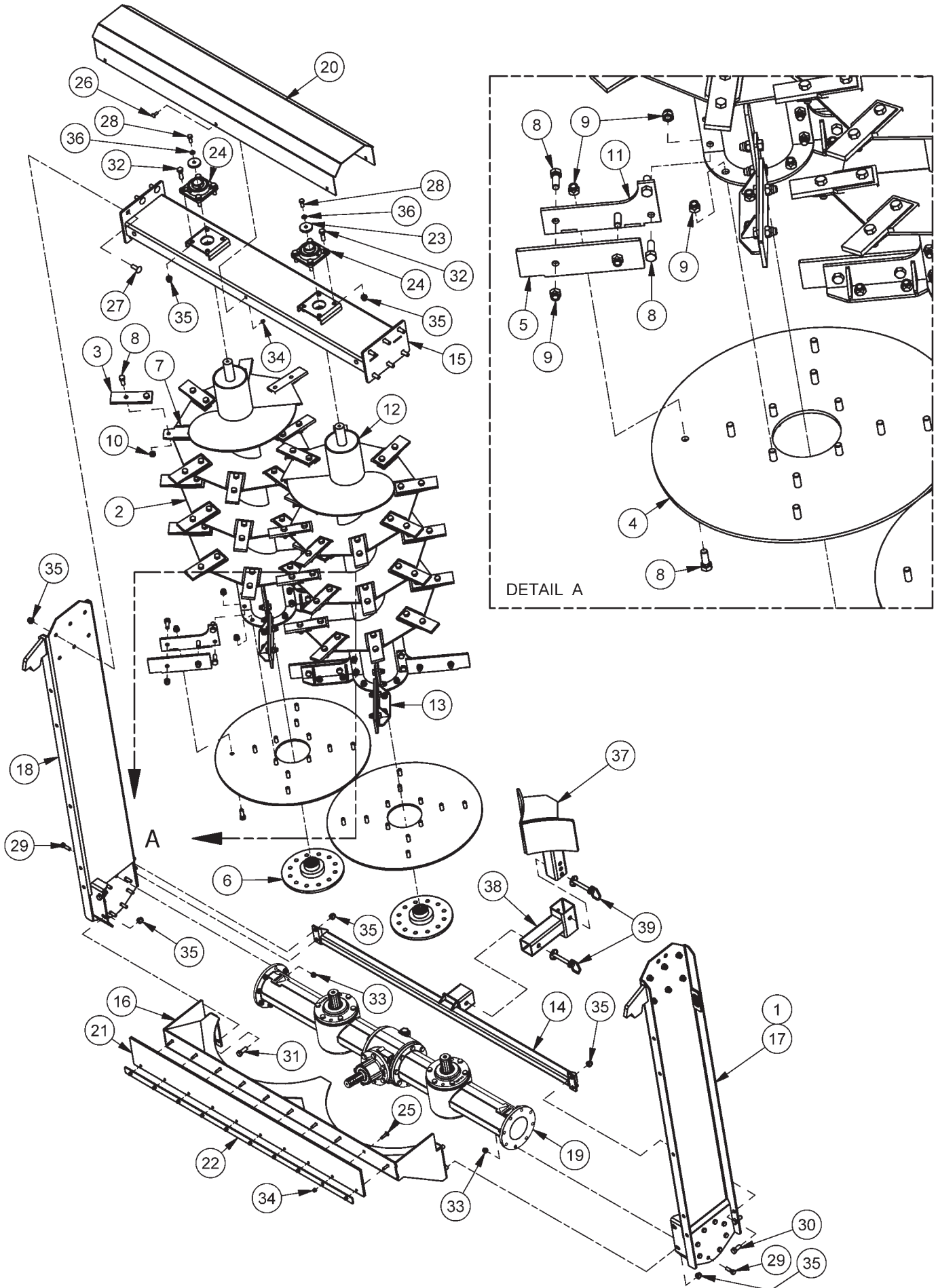
Endgate



Endgate

ITEM	QTY	PART NUMBER	DESCRIPTION
1	2	37344	Nitro 375 Gate Cylinder 2.0 x 48 x 1.5
2	2	375-142	Endgate Cyl Support
3	2	400-601	Pin
4	1	42134	275 Endgate
5	1	42224	Complete Beater Assembly
6	2	42410	Cylinder Pin
7	1	42417	SMV Sign Mount
8	1	450-441	2 Ply Rubber Belt-V600,V450 (7.0 x 62.5)
9	1	600-790	Rubber Hold Down
10	10	CB 3/8-16 X1.5 Z5	Carriage Bolt - 3/8-16 x 1 1/2" Grade 5 Zinc
11	8	CB 5/8-11 X1.5 Z5	Carriage Bolt - 5/8-11 x 1 1/2" Grade 5 Zinc
12	2	CB 5/8-11 X1.75 Z5	Carriage Bolt - 5/8-11 x 1 3/4" Grade 5 Zinc
13	2	FW 1/4	Flatwasher - 1/4" Zinc Plated USS
14	4	FW 3/8	Flatwasher - 3/8" Zinc Plated USS
15	2	HB 1/4-20X1 Z5	Hex Bolt 1/4-20x1 Grade 5 Zinc Plated Hex Cap Screw
16	2	HB 3/8-16X1.25 Z5	Hex Bolt 3/8-16x1 1/4 Grade 5 Zinc Plated Hex Cap Screw
17	6	HB 3/8-16X1.5 Z5	Hex Bolt 3/8-16x1 1/2 Grade 5 Zinc Plated Hex Cap Screw
18	2	LN 1/4 N	LN 1/4-20 Zinc Plated Nylon Insert Lock Nut
19	14	LN 3/8 N	LN 3/8-16 Zinc Plated Nylon Insert Lock Nut
20	10	LN 5/8 N	LN 5/8-11 Zinc Plated Nylon Insert Lock Nut

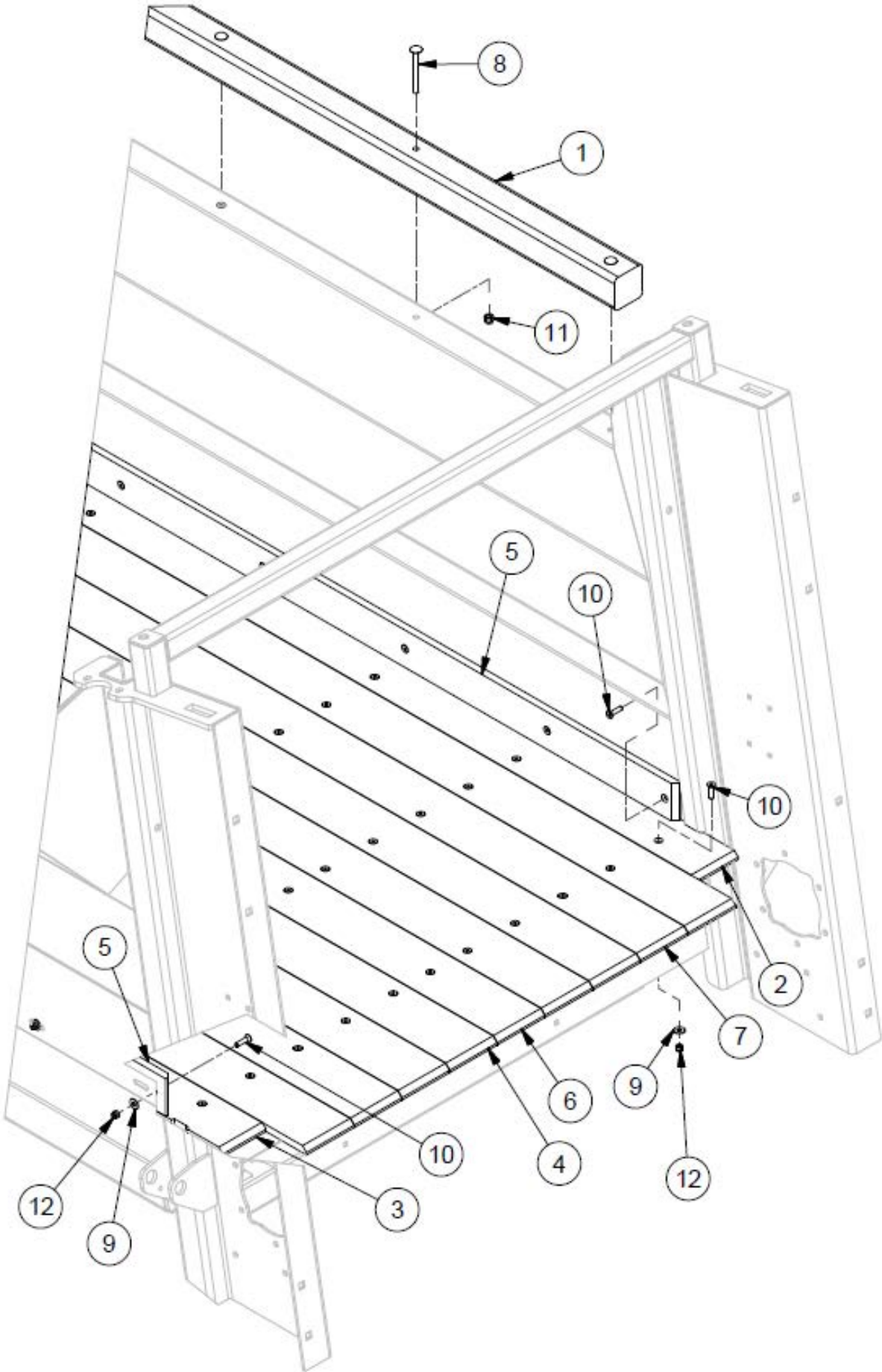
Beaters



Beaters

ITEM	QTY	PART NUMBER	DESCRIPTION	NOTE
1	1	42224	275RS Complete Beater Assembly	All Items
2	1	42190	275RS Right Beater Assembly	Items 3-11
3	24	400-438	Beater Paddle	Qty=1 Beater
4	1	42185	Spinner Plate	Qty=1 Beater
5	4	42186	275 Spinner Paddle	Qty=1 Beater
6	1	42192	275 Beater Spline Hub	Qty=1 Beater
7	24	47476	Paddle Retainer	Qty=1 Beater
8	72	HB5/8-11X1.75Z5	Hex Bolt 5/8-11x1 3/4 Grade 5 Zinc Plated Hex Cap Screw	Qty=1 Beater
9	28	LN5/8-11NCZ5	LN 5/8-11 Zinc Plated Nylon Insert Lock Nut	Qty=1 Beater
10	48	LN5/8-11TCZ5	LN5/8-11 Gr.C Zinc Top Lock Nut	Qty=1 Beater
11	4	42187	Right Beater Fan	
12	1	42194	275RS Left Beater Assembly	Items 3-10,13
13	4	42196	Left Beater Fan	
14	1	42225	Receiver Assembly	
15	1	42226	Top Beater Crosser	
16	1	42227	Spinner Pan	
17	1	42228	Left Side Beater Frame	
18	1	42229	Right Side Beater Frame	
19	1	42409	Rear Beater Gear Box	Ref. Pg.5-4
20	1	450-405	Top Beater Cover	
21	1	450-441	2 Ply Rubber Belt	
22	1	600-790	Rubber Hold Down	
23	2	700-157	Load Bearing Washer	
24	2	BEA UCF209-28R3	Flange Bearing, Triple Seal, Ductile Iron	
25	10	CB3/8-16X1.5CZ5	Carriage Bolt - 3/8-16 x 1 1/2" Grade 5 Zinc	
26	6	CB3/8-16X1CZ5	Carriage Bolt - 3/8-16 x 1" Grade 5 Zinc	
27	12	CB5/8-11X1.75CZ5	Carriage Bolt - 5/8-11 x 1 3/4" Grade 5 Zinc	
28	2	HB1/2-13X1.25Z5	Hex Bolt 1/2-13x1 1/4 Grade 5 Zinc Plated Hex Cap Screw	
29	16	HB1/2-13X1.75Z5	Hex Bolt 1/2-13x1 3/4 Grade 5 Zinc Plated Hex Cap Screw	
30	4	HB5/8-11X1.5Z5	Hex Bolt 5/8-11x1 1/2 Grade 5 Zinc Plated Hex Cap Screw	
31	4	HB5/8-11X1.75Z5	Hex Bolt 5/8-11x1 3/4 Grade 5 Zinc Plated Hex Cap Screw	
32	8	HB5/8-11X2Z5	Hex Bolt 5/8-11x2 Grade 5 Zinc Plated Hex Cap Screw	
33	16	LN1/2-13NCZ5	LN 1/2-13 Zinc Plated Nylon Insert Lock Nut	
34	16	LN3/8-16NCZ5	LN 3/8-16 Zinc Plated Nylon Insert Lock Nut	
35	28	LN5/8-11NCZ5	LN 5/8-11 Zinc Plated Nylon Insert Lock Nut	
36	2	LW 1/2	LW - 1/2" Zinc Plated Medium Split	
37	1	450-131	Beater Deflector	
38	1	450-134	Deflector Mount Insert	
39	2	TL384804	3/4 X 4 1/4 Hitch Pin w/Chain and Lynch Pin	

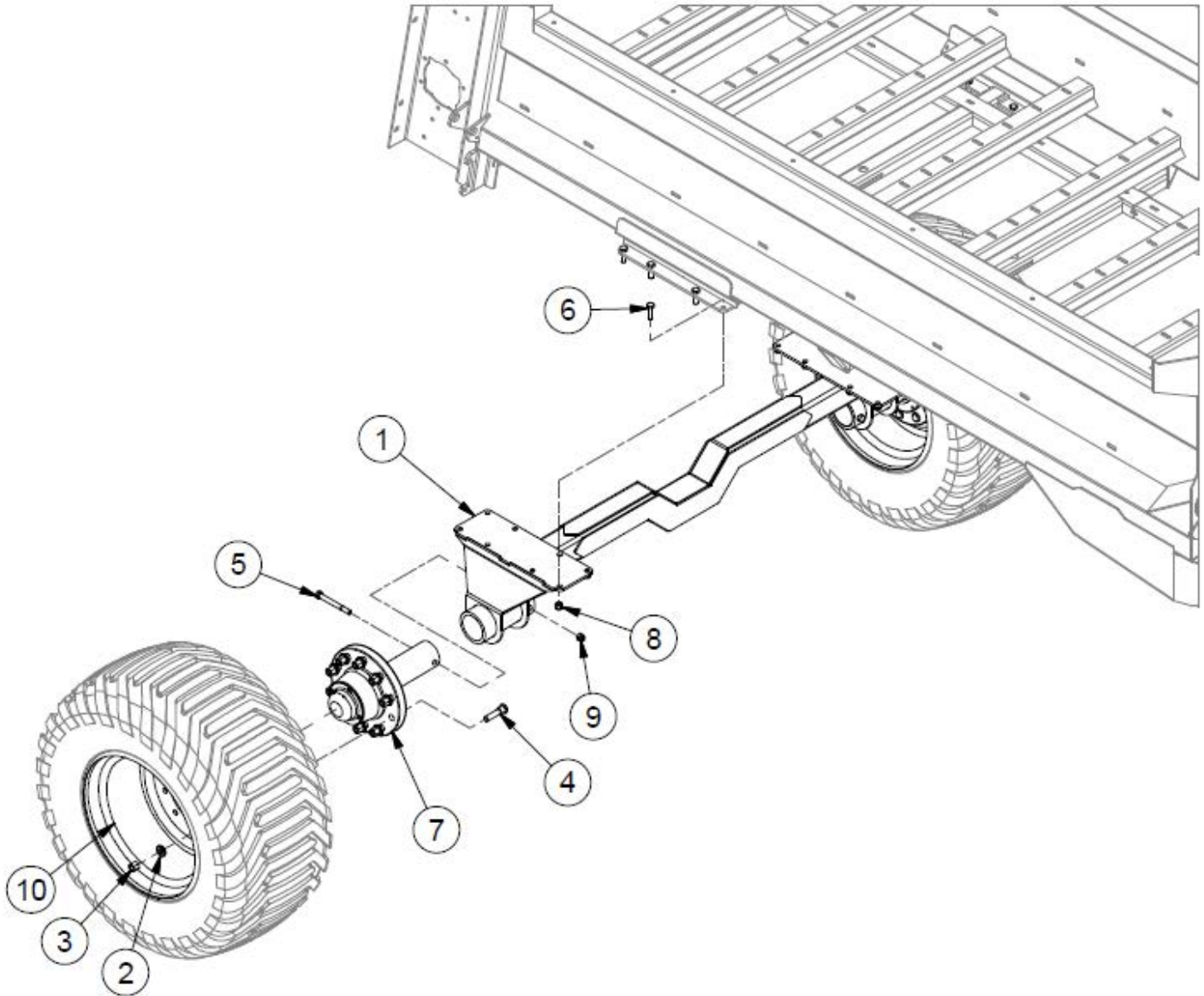
Floor & Side Boards



Floor & Side Boards

ITEM	QTY	PART NUMBER	DESCRIPTION
1	2	42101	Wooden Side Top
2	1	42102	Floor Board .75 x 149.62 " (Left) Nitro 275
3	1	42107	Floor Board .75 x 149.62 N275 (Left)
4	4	42108	Floor Boards .75 x 154.62 " N275 (Left)
5	2	42174	Sideboard .75 x 139.75 "
6	1	42635	Floor Board .75 x 154.62 N275 [middle]
7	4	42356	Floor Boards .75 x 154.62 " Nitro 275 Right
8	12	CB 1/2-13 X4.5 Z5	Carriage Bolt - 1/2-13 x 4 1/2" Grade 5 Zinc
9		FW 3/8	Flatwasher - 3/8" Zinc Plated USS
10		HB 3/8-16X1.5 FHSCS	Hex Bolt - 3/8"-16 x 1 1/2" Flat Socket Cap Screw
11	12	LN 1/2 N	LN 1/2-13 Zinc Plated Nylon Insert Lock Nut
12		LN 3/8 N	LN 3/8-16 Zinc Plated Nylon Insert Lock Nut

Single Axle



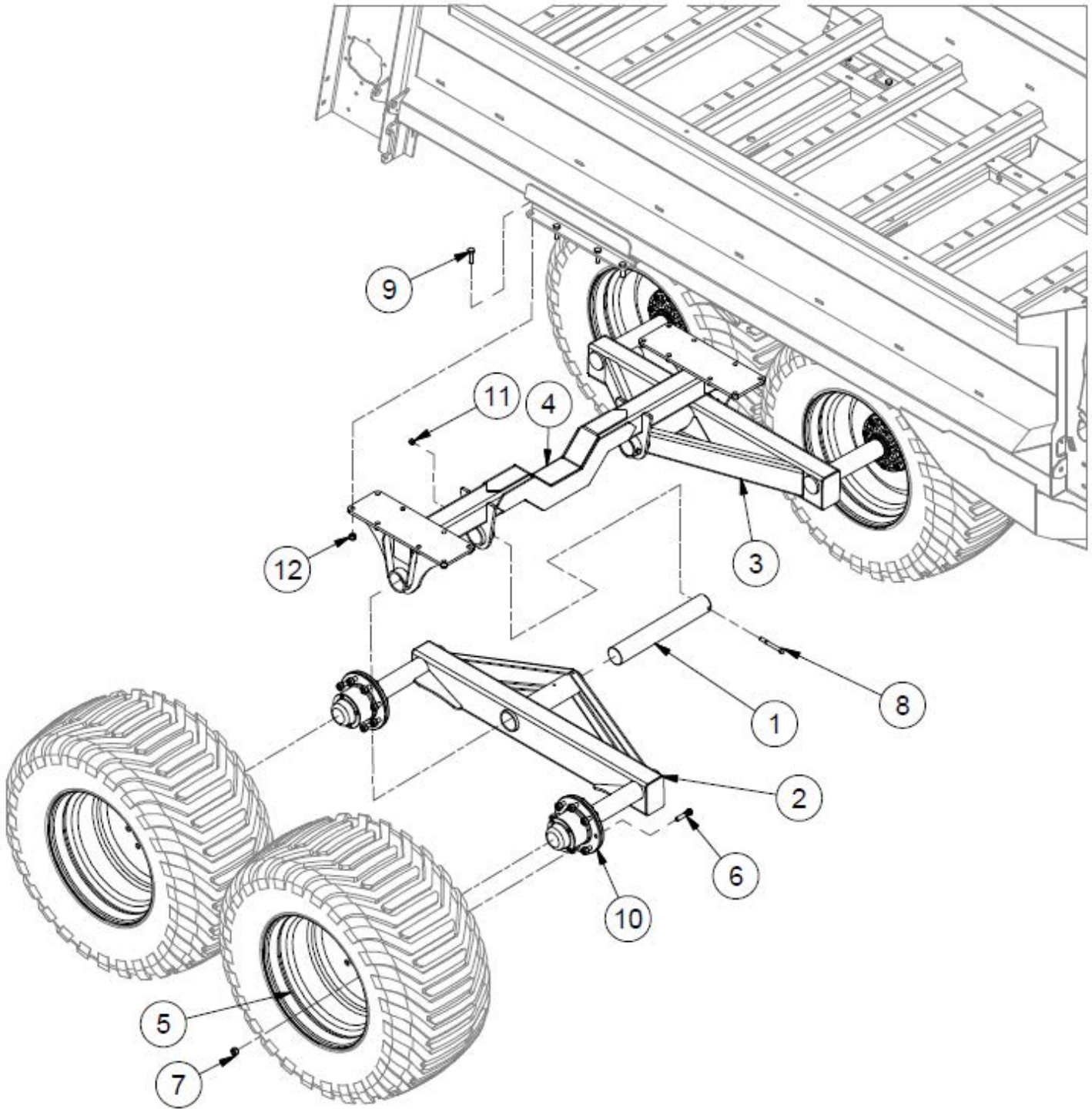
Single Axle

ITEM	QTY	PART NUMBER	DESCRIPTION
1	1	42136	200 Single Axle
2	20	F750-35N	Wheel Nut for 16000 and 20000 # Hub
3	20	F750-35NW	Wheel Washer for 16000 and 20000 # Hub
4	20	F750-35WS	Wheel Stud for 16000 and 20000 # Hub
5	2	HB 5/8-11X6 Z5	Hex Bolt 5/8-11x6 Grade 5 Zinc Plated Hex Cap Screw
6	16	HB 5/8-18 X2 YZ8	Hex Bolt 5/8-18x2 Grade 8 Zinc Hex Cap Screw
7	2	HUB 16000	Spreader Hub 16000 #
	2	HUB 16000-CCS	Complete Bearing and Seals for Hub 16000
8	16	LN 5/8 F	Center Locknuts (5/8-18) 2-Way Fine Thread
9	2	LN 5/8 N	LN 5/8-11 Zinc Plated Nylon Insert Lock Nut
10	2	WHE 1622.5-10A	Rim- 16 x 22.5 (10 Bolt 2.0 Negative Offset) Assembly

NITRO 275RS TIRE CHART		
Axle Type	Part Number	Tire Size
Single	WHE 425X65X22.5L	425/22.5 Recap (Truck)
Single	WHE 550X45X22.5	550/45-22.5
Single	WHE 480X70X30	480/70-30 Lug (Tractor)
Tandem	WHE 425X65X22.5L	425/22.5 Recap (Truck)
Tandem	WHE 550X45X22.5	550/45-22.5

NOTE: Refer to Nitro Operator's Manual for wheel load capacity charts.

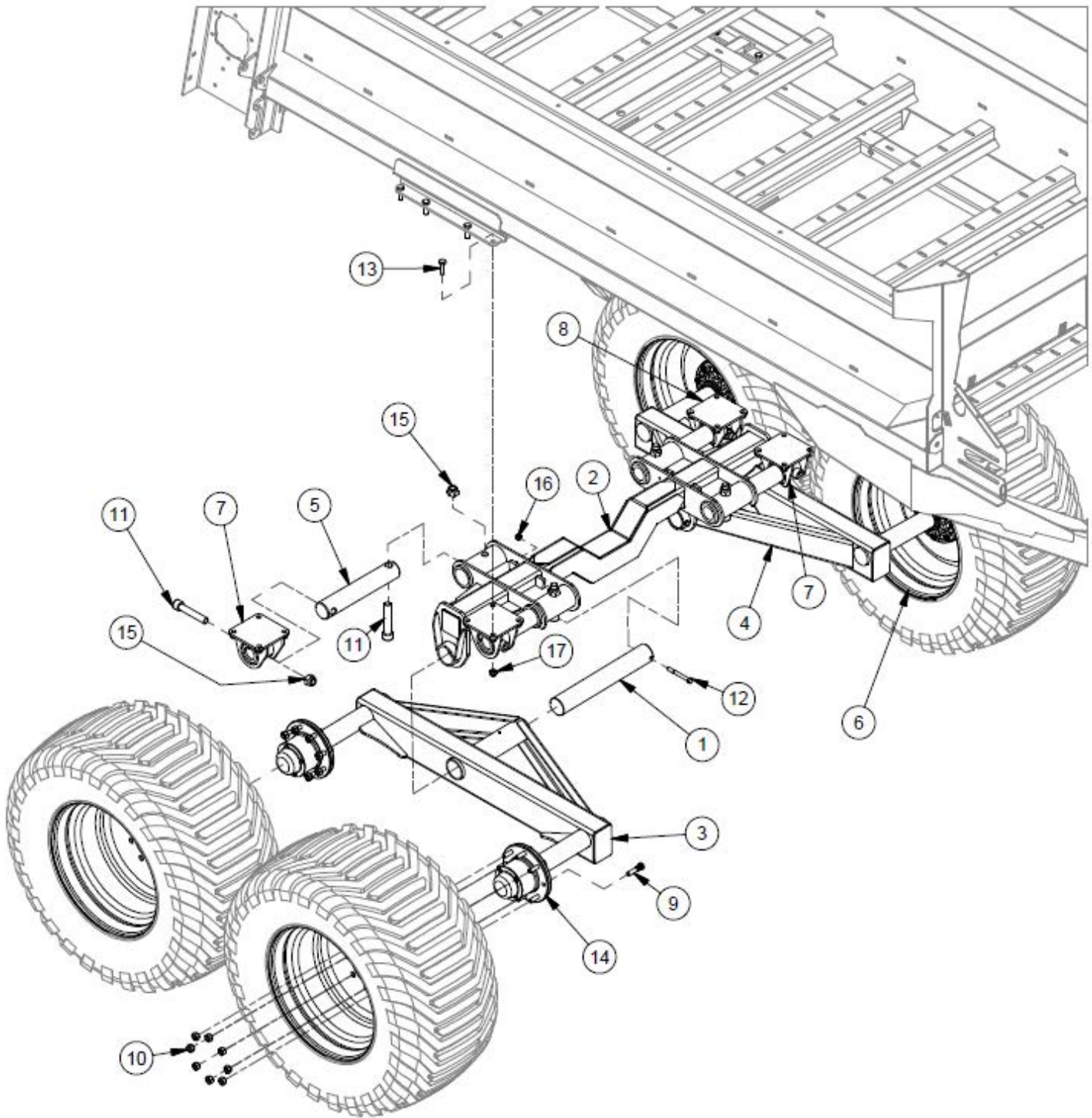
Tandem Axle (w/o Scales)



Tandem Axle (w/o Scales)

ITEM	QTY	PART NUMBER	DESCRIPTION
1	2	42098	Walking Beam Pin
2	1	42137	275 Right Walking Beam
3	1	42138	275 Left Walking Beam
4	1	42648	Non-Scale Tandem Axle
5	4	400-429	8 Bolt Rim
6	1	F58-225	Wheel Stud for 12000 # Hub
7	1	F58-CONE NUT	Wheel Nut for 12000 # Hub
8	2	HB 1/2-13X4.5 Z5	Hex Bolt 1/2-13x4 1/2 Grade 5 Zinc Plated Hex Cap Screw
9	16	HB 5/8-18 X2 YZ8	Hex Bolt 5/8-18x2 Grade 8 Zinc Hex Cap Screw
10	4	HUB 12000	Spreader Hub Model 450-600 12000 #
	4	HUB 12000-CCS	Complete Bearing and Seals for Hub 12000
11	2	LN 1/2 N	LN 1/2-13 Zinc Plated Nylon Insert Lock Nut
12	16	LN 5/8 F	Center Locknuts (5/8-18) 2-Way Fine Thread

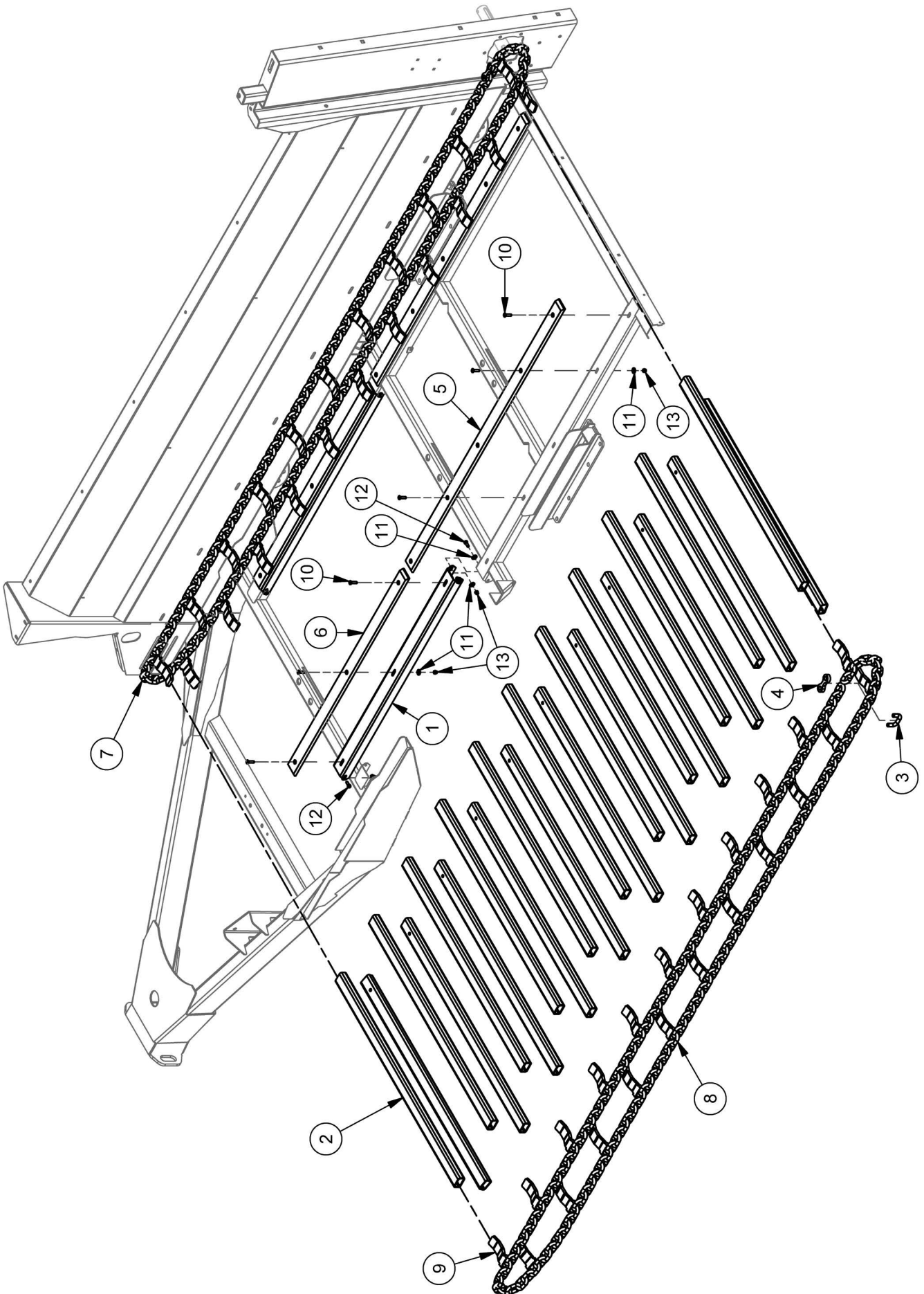
Tandem Axle (w/ Scales)



Tandem Axle (w/ Scales)

ITEM	QTY	PART NUMBER	DESCRIPTION
1	2	42098	Walking Beam Pin
2	1	42135	Tandem Axle
3	1	42137	275 Right Walking Beam
4	1	42138	275 Left Walking Beam
5	4	36037	Mock Load Cell
6	2	400-429	8 Bolt Rim
7	2	42144	Left Frame Mount
8	2	42145	Right Frame Mount
9	32	F58-225	Wheel Stud for 12000 # Hub
10	32	F58-CONE NUT	Wheel Nut for 12000 # Hub
11	8	HB 1-8X5.5 SHCS	Hex Bolt - 1-8 x 5 1/2 Socket Head Cap Screw
12	2	HB 1/2-13X4.5 Z5	Hex Bolt 1/2-13x4 1/2 Grade 5 Zinc Plated Hex Cap Screw
13	16	HB 5/8-18 X2 YZ8	Hex Bolt 5/8-18x2 Grade 8 Zinc Hex Cap Screw
14	4	HUB 12000	Spreader Hub Model 450-600 12000 #
	4	HUB 12000-CCS	Complete Bearing and Seals for Hub 12000
15	8	LN 1 N	LN 1-8 Zinc Plated Nylon Insert Lock Nut
16	45	LN 1/2 N	LN 1/2-13 Zinc Plated Nylon Insert Lock Nut
17	16	LN 5/8 F	Center Locknuts (5/8-18) 2-Way Fine Thread

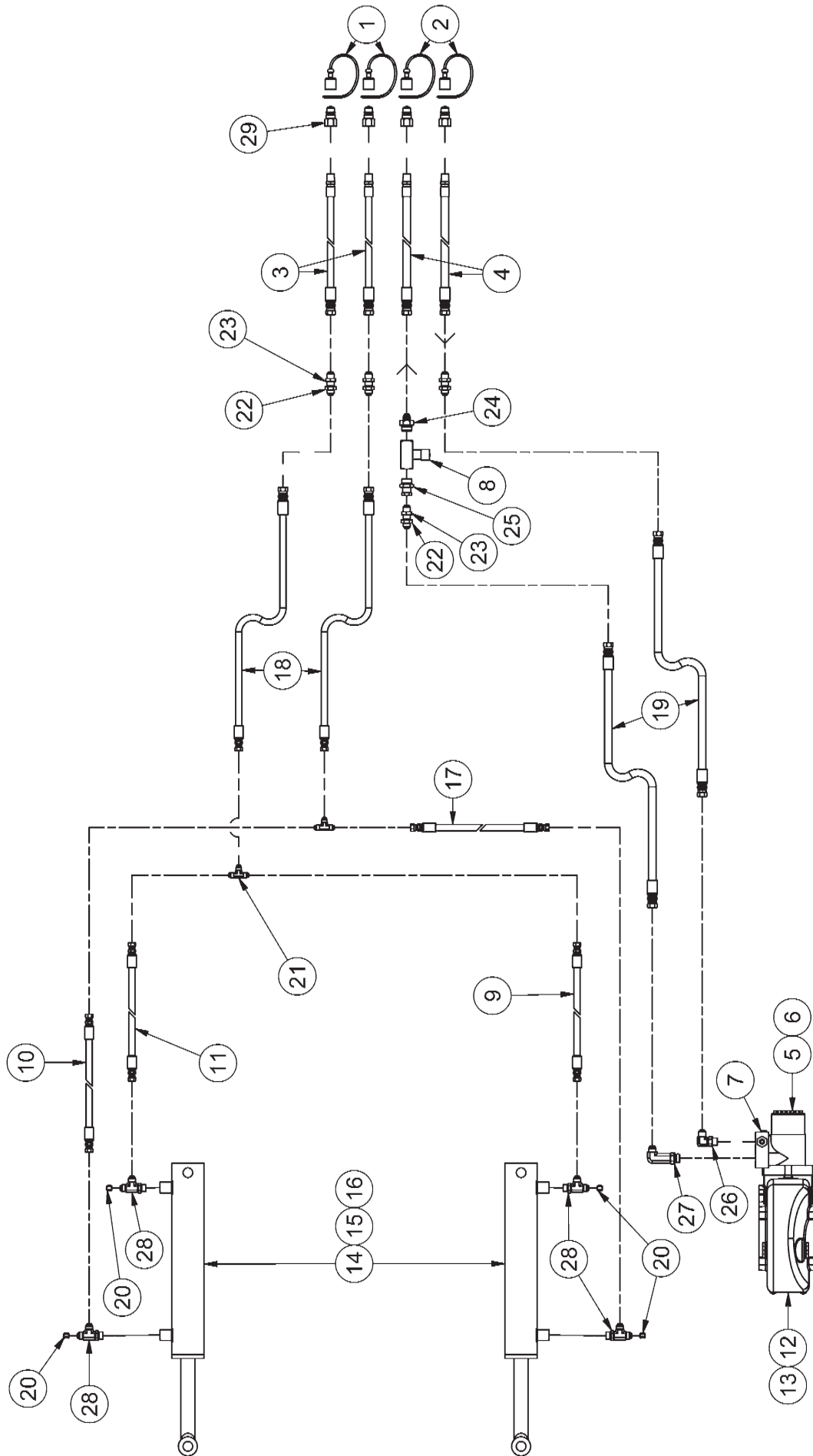
Apron Runners



Apron Runners

ITEM	QTY	PART NUMBER	DESCRIPTION	NOTE
1	2	37588	Chain Return Slide	
2	22	37820	375 450 600 Slats	
3	2	400-889	Chain Connector Link	
4	2	400-890	Chain Connector Link Tab	
5	2	42069	Rear Wear Board	
6	2	42070	Front Wear Board	
7	1	42141	275 Right Apron Chain	
8	1	42142	275 Left Apron Chain	
9	22	37870	Chain Lug .625	Qty for 1 Chain
10	16	FHSCS3/8-16X1.5	Hex Bolt - 3/8"-16 x 1 1/2" Flat Socket Cap Screw	
11	22	FW 3/8	Flatwasher - 3/8" Zinc Plated USS	
12	8	HB3/8-16X1Z5	Hex Bolt 3/8-16x1 Grade 5 Zinc Plated Hex Cap Screw	
13	24	LN3/8-16NCZ5	LN 3/8-16 Zinc Plated Nylon Insert Lock Nut	

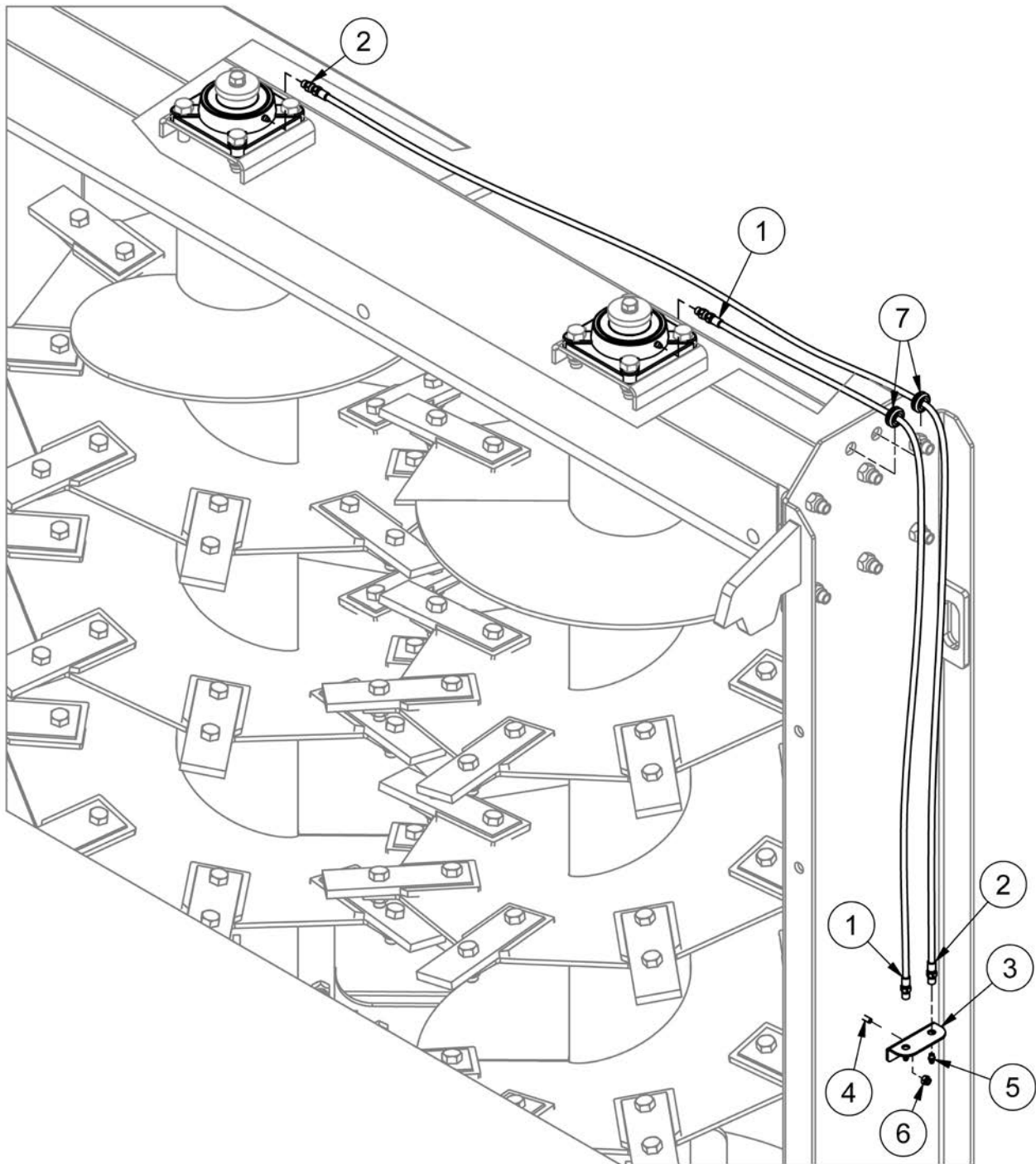
Hydraulic Layout



Hydraulic Layout

ITEM	QTY	PART NUMBER	DESCRIPTION	NOTE
1	2	22946-2	Dust Cap, 1/2", Female, Yellow Colour	
2	2	22946-4	Dust Cap, 1/2", Female, Red Colour	
3	2	30654	HH73- 6AT1(8FJXH-8MP HCL 73"	
4	2	30661	HH69- 8AT1(8FJXH-8MP) HCL69"	
5	1	30854	Hydraulic Motor - Spreaders	
6	1	SK-SMRS-SK	Gearbox Motor Seal Kit	
7	2	30856	Hydraulic Cross Port Relief for Motor- Spreaders	
8	1	30857	Flow Control Valve - 3/4"	
9	1	31642	HH76- 6AT1(6FJX-6FJX) HCL 76"	
10	1	31643	HH81- 6AT1(6FJX-6FJX) HCL 81"	
11	1	31644	HH22- 6AT1(6FJX-6FJX) HCL 22"	
12	1	34001	Gear Box for Spreader Apron- RT420	Up to 22NRS130
13	1	49994	CNM350 Apron Gear Box	23NRS101 - Current
14	2	37344	Nitro 375 Gate Cylinder 2.0 x 48 x 1.5	
15	2	SKFH20-15	Seal Kit for 2" Cylinder Bore (Frankor) w/ 1.5" Rod	Up to 22NRS130
16	2	HYS-SK-4862 HYS	Hyspec Seal Kit	23NRS101 - Current
17	1	37871	HH125- 6AT1(6FJX-6FJX) HCL 125"	
18	2	42651	HH235- 6AT1(8FJX-6FJX) HCL 235"	
19	2	42652	HH245- 8AT1(8FJX-8FJX) HCL 245"	
20	4	HF 0304C-06	JIC #6 Caps	
21	2	HF 2603-6-6-6	Male JIC Tee	
22	4	HF 2603-8-8-8	Male JIC Tee	
23	4	HF 306-8	Hyd Fitting 1/2 Adjustable Locknut	
24	1	HF 6400-8-12	Hyd. Fitting	Replaces HF2404-8-12
25	1	HF 6402-12-8	Hyd. Fitting #12 Male O-Ring to #8 F JIC	Replaces HF6505-12-8
26	1	HF 6801-8-10	Forged Fitting - 5/8" JIC x 5/8" SAE 90 Deg. Elbow	
27	1	HF 6801-8-10-LL	Hyd. Fitting - 1/2" JIC - 5/8" 90 Degree Elbow	
28	4	HF 6804-6-6-6	Hyd Fitting - Male JIC - Male ORB Tee	
29	4	HF 8010-4	Quickcoupler 1/2" Male Tip	

Beater Greaselines



ITEM	QTY	PART NUMBER	DESCRIPTION
1	1	36623	Hose - HH67 - 2R7(2MPX,2GKCY) HCL 67"
2	1	36624	Hose - HH99 - 2R7(2MPX,2GKCY) HCL 99"
3	1	37849	Nitro Grease Line Mount
4	1	CB1/4-20X0.75CZ5	Carriage Bolt - 1/4-20 x 3/4" Grade 5 Zinc
5	2	GR 1/4 X 28	Grease Fitting 1/4-28 Straight Standard Zerk
6	1	LN1/4-20NCZ5	LN 1/4-20 Zinc Plated Nylon Insert Lock Nut
7	2	TL5X2-100-143	Rubber Grommet

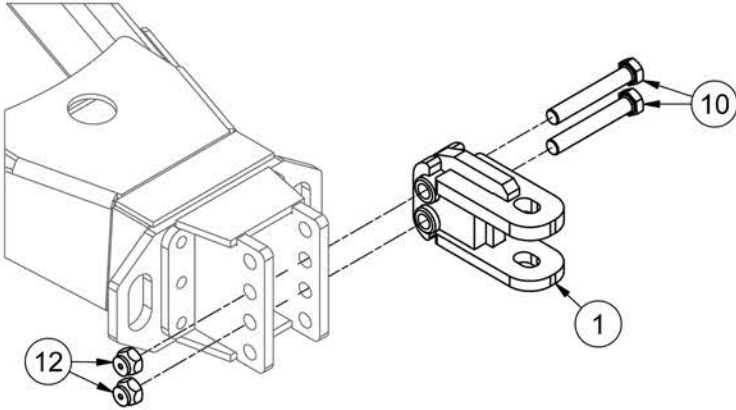
Section 3 - Optional Features

Optional Kit Numbers

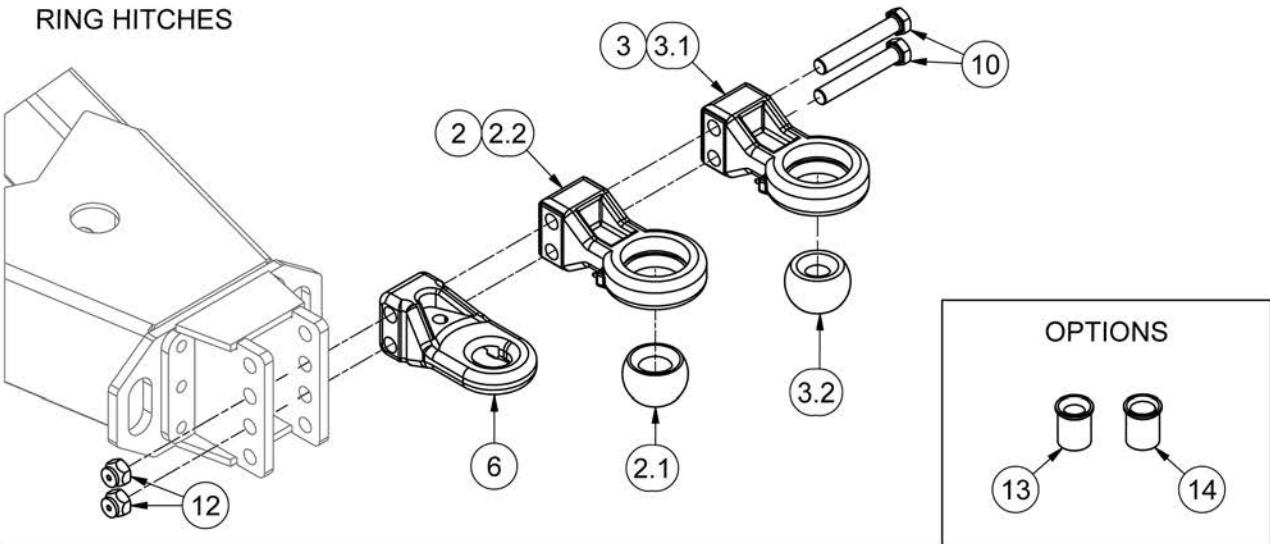
KIT NUMBER	DESCRIPTION	PAGE(S)	NOTE
	Hitches	Pg.3-2,3	
43622	Mechanical Light Kit	Pg.3-4/7	
	Wiring Harness	Pg.3-8,9	
N750LC	5 Point Scale System	Pg.3-10	
N750LCNT460	5 Point Scale System with GPS	Pg.3-10	
N750LCNT8000	Automatic Scale Rate Control Base System	Pg.3-11	
	Flow Control Mounting	Pg.3-12	
31578	Manual Flow Control	Pg.3-13	
31797	Electric Flow Control	Pg.3-14,15	
	Electric Flow Control Wiring	Pg.3-16,17	
N275SB	Single Axle Brake Kit	Pg.3-18	
N275TB	Tandem Axle Brake Kit	Pg.3-19	
45865	Endgate Indicator Kit	Pg.3-20,21	
43864	275RS Flange Paddle Kit	Pg.3-22	

Hitch Options

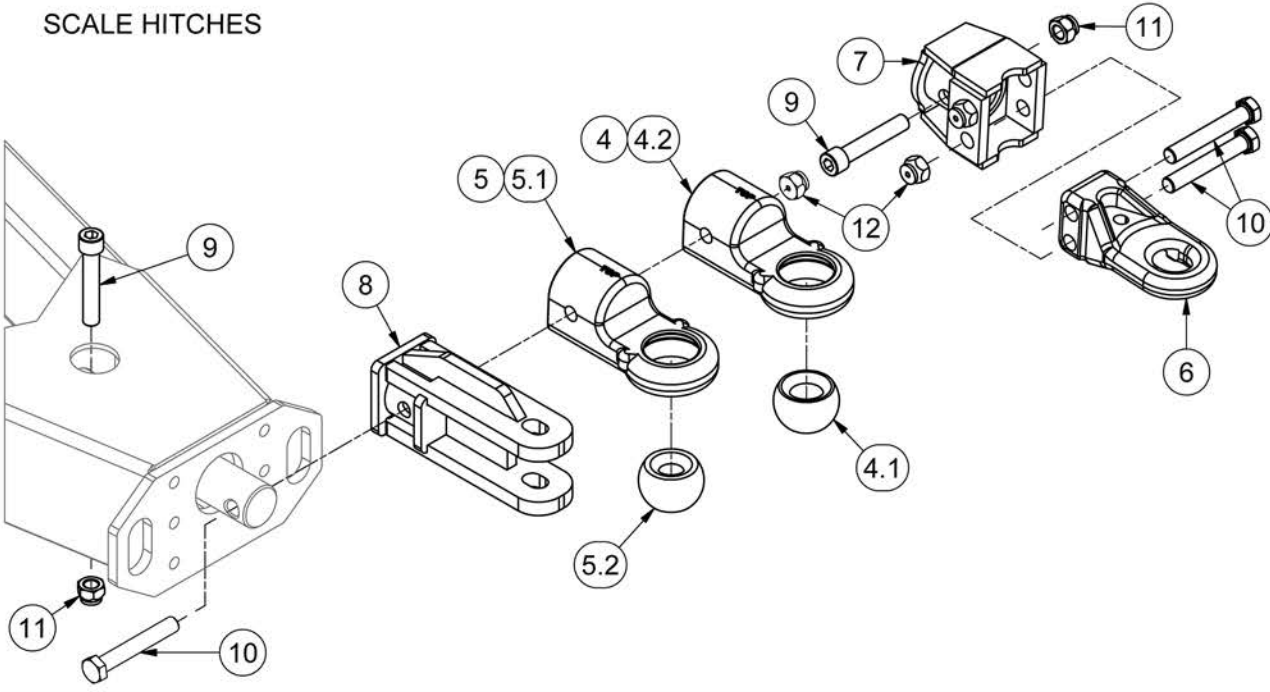
CLEVIS HITCH



RING HITCHES



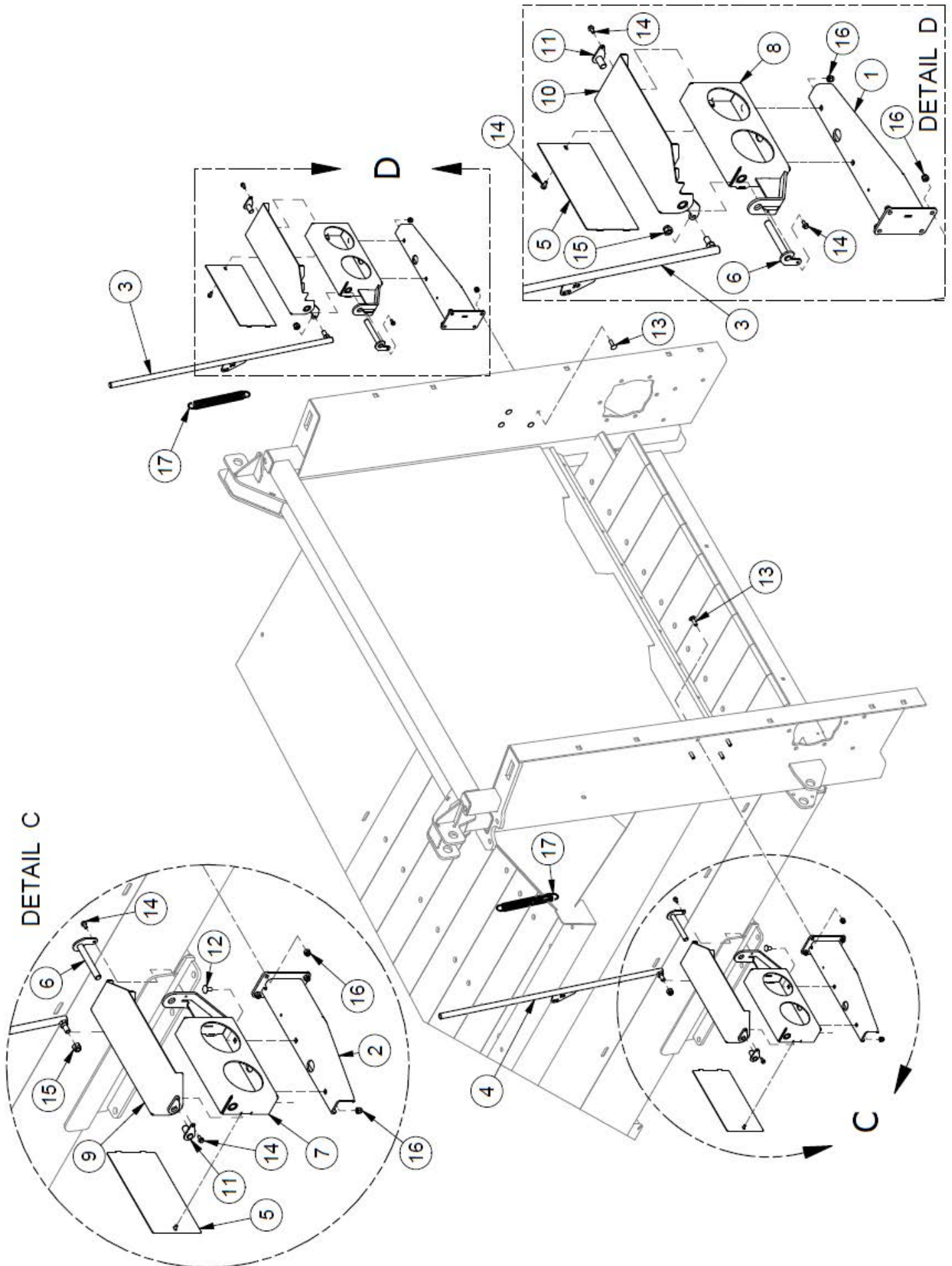
SCALE HITCHES



Hitch Options

ITEM	QTY	PART NUMBER	DESCRIPTION	WHERE USED	NOTE
1	1	40471	Clevis Hitch Weldment	Up to N575RS	Standard - Replaces 30826
2		39290	Power Pin Cat 3 Ball Hitch Assembly 2" Pin	All Models	Option
2.1	1	39291	Power Pin 2" Ball Cat.3 Hitch		
2.2	1	44994	Power Pin Cat.3 Ball Hitch Base		
3		40865	Power Pin Cat 3 Ball Hitch Assembly 1.5" Pin	All Models	Option
3.1	1	44994	Power Pin Cat.3 Ball Hitch Base		
3.2	1	39994	Power Pin 1.5" Ball Cat.3 Hitch		
4		41956	Rollover Ball Hitch 2.0" ID Cat.4	All Models	Requires Scale Option
4.1	1	39291	Power Pin 2" Ball Hitch		Category 3 & 4
4.2	1	45033	Articulating Ball Hitch Base		
5		45034	Rollover Ball Hitch 1.5" ID Cat.4	All Models	Requires Scale Option
5.1	1	45033	Articulating Ball Hitch Base		
5.2	1	39994	Power Pin 1.5" Ball Cat.3 Hitch		
6		32853	Cat.4 Hitch Base	N600 - N1050	Standard - Replaces 43060
7	1	36241	Cell Hitch		Requires Scale Option
8	1	42550	Cell Clevis Hitch	275RS - 575RS	Requires Scale Option
9		SHCS1-8X5.5	Hex Bolt - 1-8 x 5 1/2 Socket Head Cap Screw		
10		HB1-14X6.5YZ8	Hex Bolt 1-14x6 1/2 Grade 8 Zinc Hex Cap Screw		
11		LN1-8NCZ5	LN 1-8 Zinc Plated Nylon Insert Lock Nut		
12		LN1-14NFZ5	Center Locknuts (1-14) 2-Way Fine Thread		
13	1	45826	Hitch Insert Bushing (2.0"-1.25")	Optional	Requires hitch with 2" Ball
14	1	45827	Hitch Insert Bushing (2.0"-1.5")	Optional	Requires hitch with 2" Ball

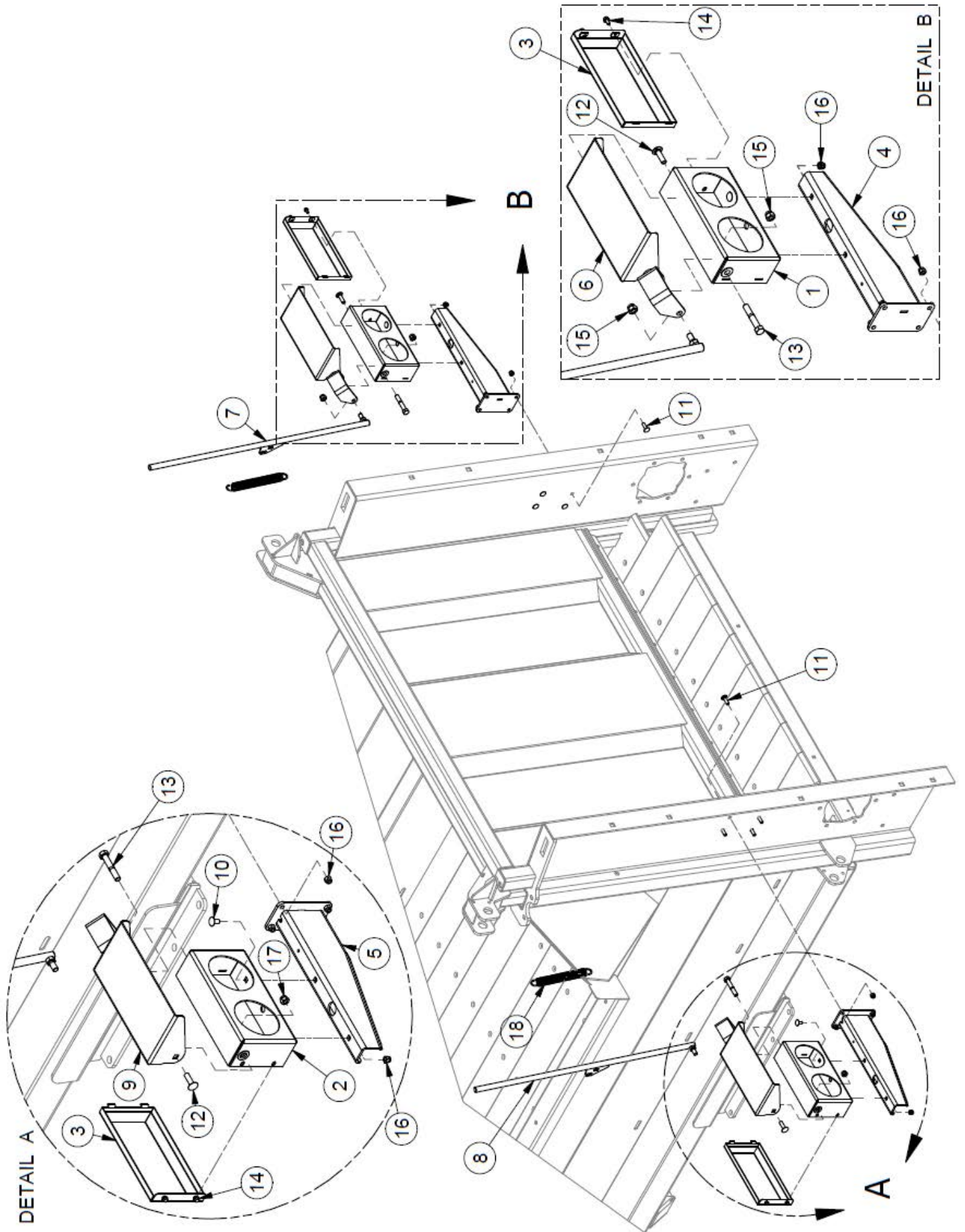
Mechanical Light Kit - 43622 (Serial No. 19NRS101 to current)



Mechanical Light Kit - 43622 (Serial No. 19NRS101 to current)

ITEM	QTY	PART NUMBER	DESCRIPTION
1	2	42139	Right Light Bracket
2	2	42140	Left Light Bracket
3	1	42151	Right Manual Light Push Arm
4	1	42152	Left Manual Light Push Arm
5	2	43178	Light Box Cover
6	2	43204	Inner Pin
7	1	43206	Left Light Box
8	1	43207	Right Light Box
9	1	43208	Left Light Cover
10	1	43209	Right Light Cover
11	2	43213	Outer Pin
12	4	CB 3/8-16 X0.75 Z5	Carriage Bolt - 3/8-16 x 3/4" Grade 5 Zinc
13	8	CB 3/8-16 X1.25 Z5	Carriage Bolt - 3/8-16 x 1 1/4" Grade 5 Zinc
14	4	HBC1/4X0.5	Hex Bolt Cerrated 1/4-20 x 1/2 Zinc Flange Bolt
15	2	LN 1/2 N	LN 1/2-13 Zinc Plated Nylon Insert Lock Nut
16	12	LN 3/8 N	LN 3/8-16 Zinc Plated Nylon Insert Lock Nut
17	2	PP00679	Spring 2-TE 86B (AC-08044, AC-08036)

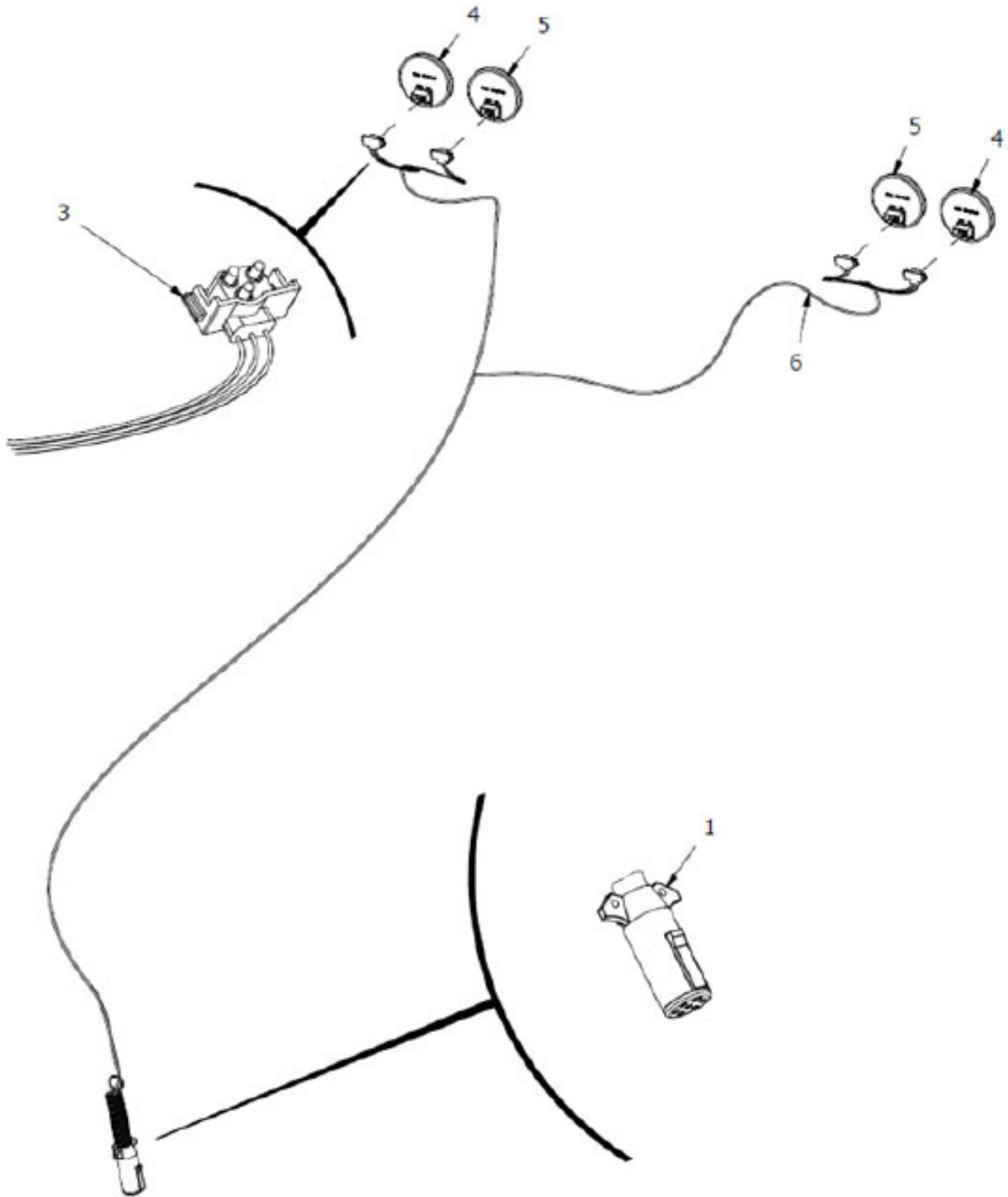
Mechanical Light Kit - 43622 (Up to Serial No. 18NRS138)



Mechanical Light Kit - 43622 (Up to Serial No. 18NRS138)

ITEM	QTY	PART NUMBER	DESCRIPTION
1	1	400-356	Right Light Housing
2	1	400-940	Left Light Housing
3	2	400-943	Light Housing Lid
4	2	42139	Right Light Bracket
5	2	42140	Left Light Bracket
6	1	42149	Left Light Cover
7	1	42151	Right Manual Light Push Arm
8	1	42152	Left Manual Light Push Arm
9	1	42153	Right Light Cover
10	8	CB 3/8-16 X0.75 Z5	Carriage Bolt - 3/8-16 x 3/4" Grade 5 Zinc
11	8	CB 3/8-16 X1.25 Z5	Carriage Bolt - 3/8-16 x 1 1/4" Grade 5 Zinc
12	2	CB 7/16-14 X1.5 Z5	Carriage Bolt - 7/16-14 x 1 1/2" Grade 5 Zinc
13	2	HB 1/2-13X3 Z5	Hex Bolt 1/2-13x3 Grade 5 Zinc Plated Hex Cap Screw
14	10	HBC1/4X0.5	Hex Bolt Cerrated 1/4-20 x 1/2 Zinc Flange Bolt
15	2	LN 1/2 N	LN 1/2-13 Zinc Plated Nylon Insert Lock Nut
16	12	LN 3/8 N	LN 3/8-16 Zinc Plated Nylon Insert Lock Nut
17	2	LN 7/16 N	LN 7/16-14 Zinc Plated Nylon Insert Lock Nut
18	2	PP00679	Spring 2-TE 86B (AC-08044, AC-08036)

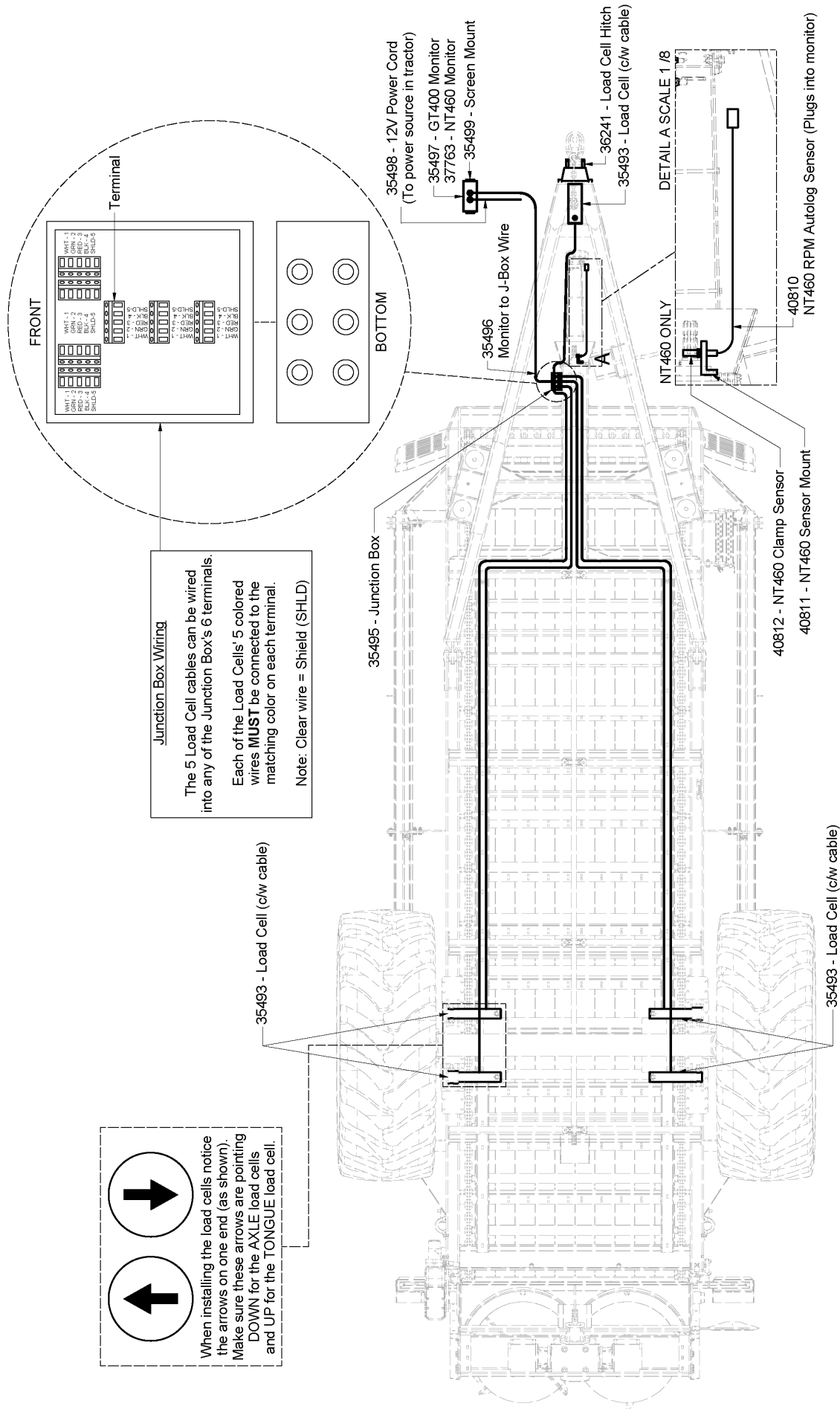
Light Kit Wiring Harness



Light Kit Wiring Harness

ITEM	QTY	PART NUMBER	DESCRIPTION
1	1	TL550-200-117	Female 7 Pin Plug
	4	31798	Grommet
3	4	31790	Individual Light Wiring
4	2	31788	Red Tail Light
5	2	31789	Amber Tail Light
6	1	36924	Light Wiring Harness
	1	31573	Complete Wiring

N750LC (GT400) / N750LCNT460 Scales

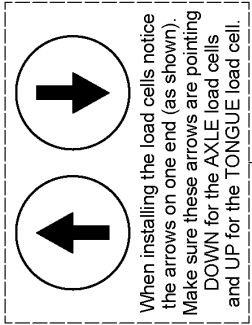


Junction Box Wiring

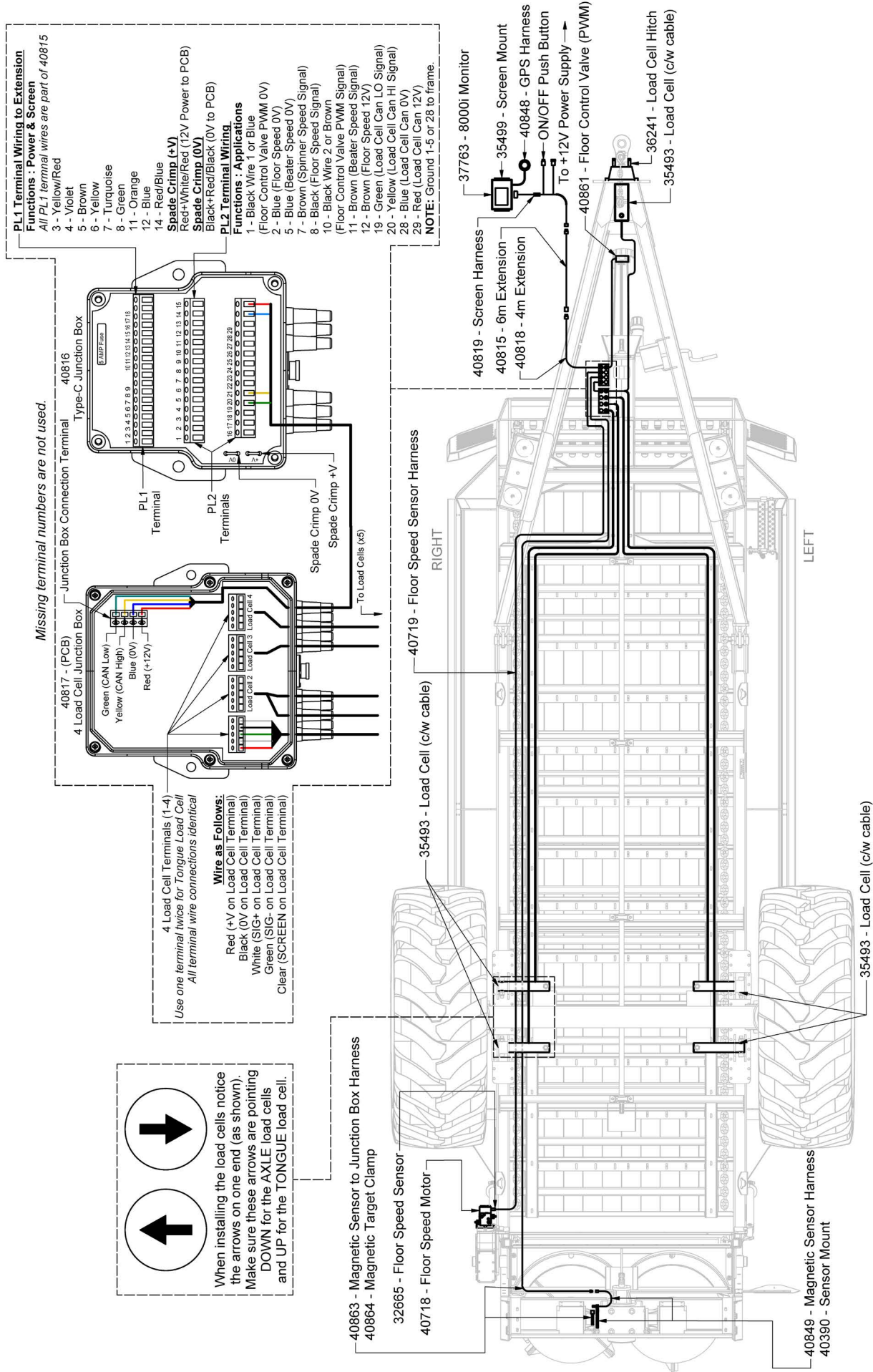
The 5 Load Cell cables can be wired into any of the Junction Box's 6 terminals.

Each of the Load Cells' 5 colored wires **MUST** be connected to the matching color on each terminal.

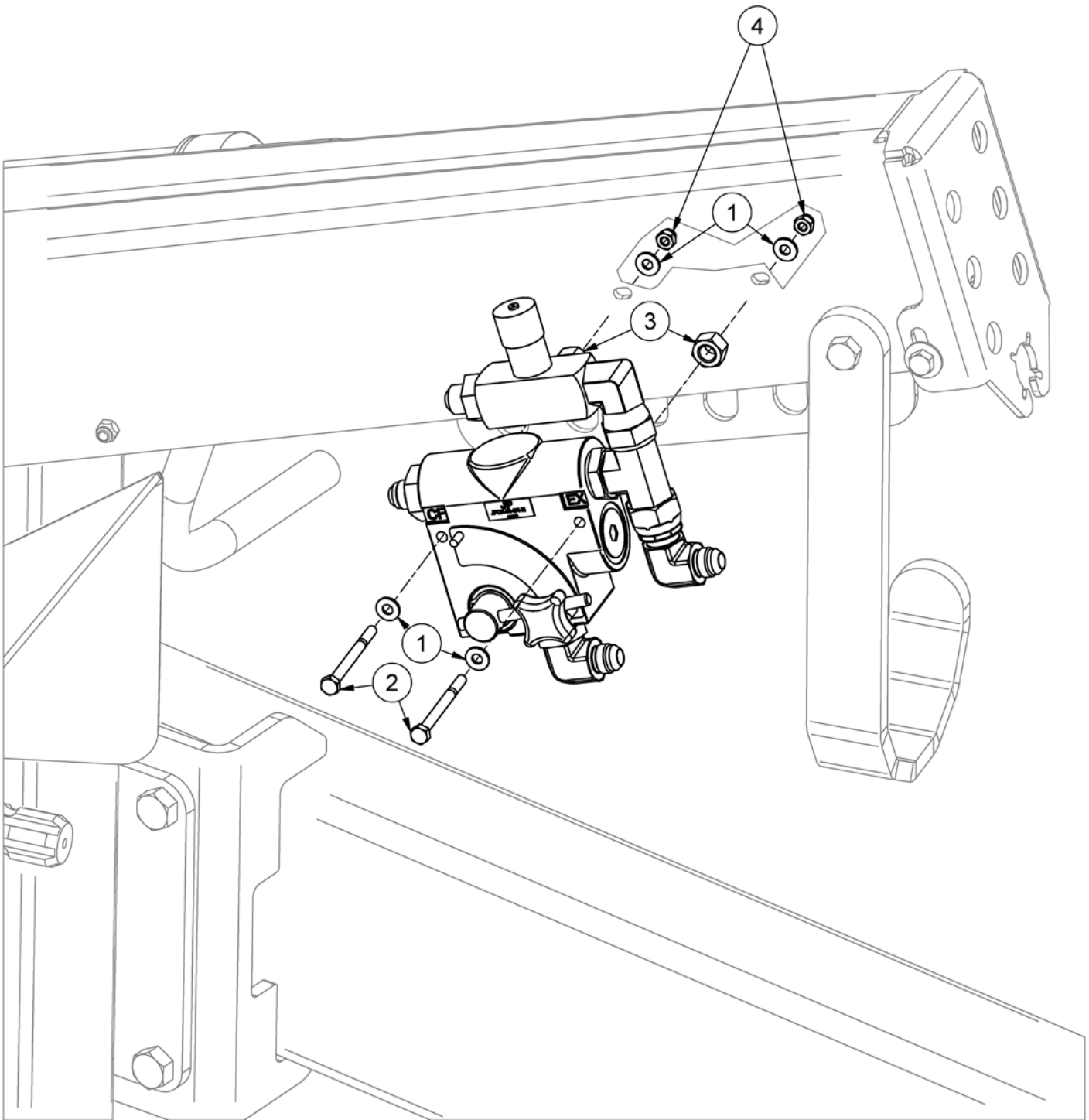
Note: Clear wire = Shield (SHLD)



N750LCNT8000 Scales



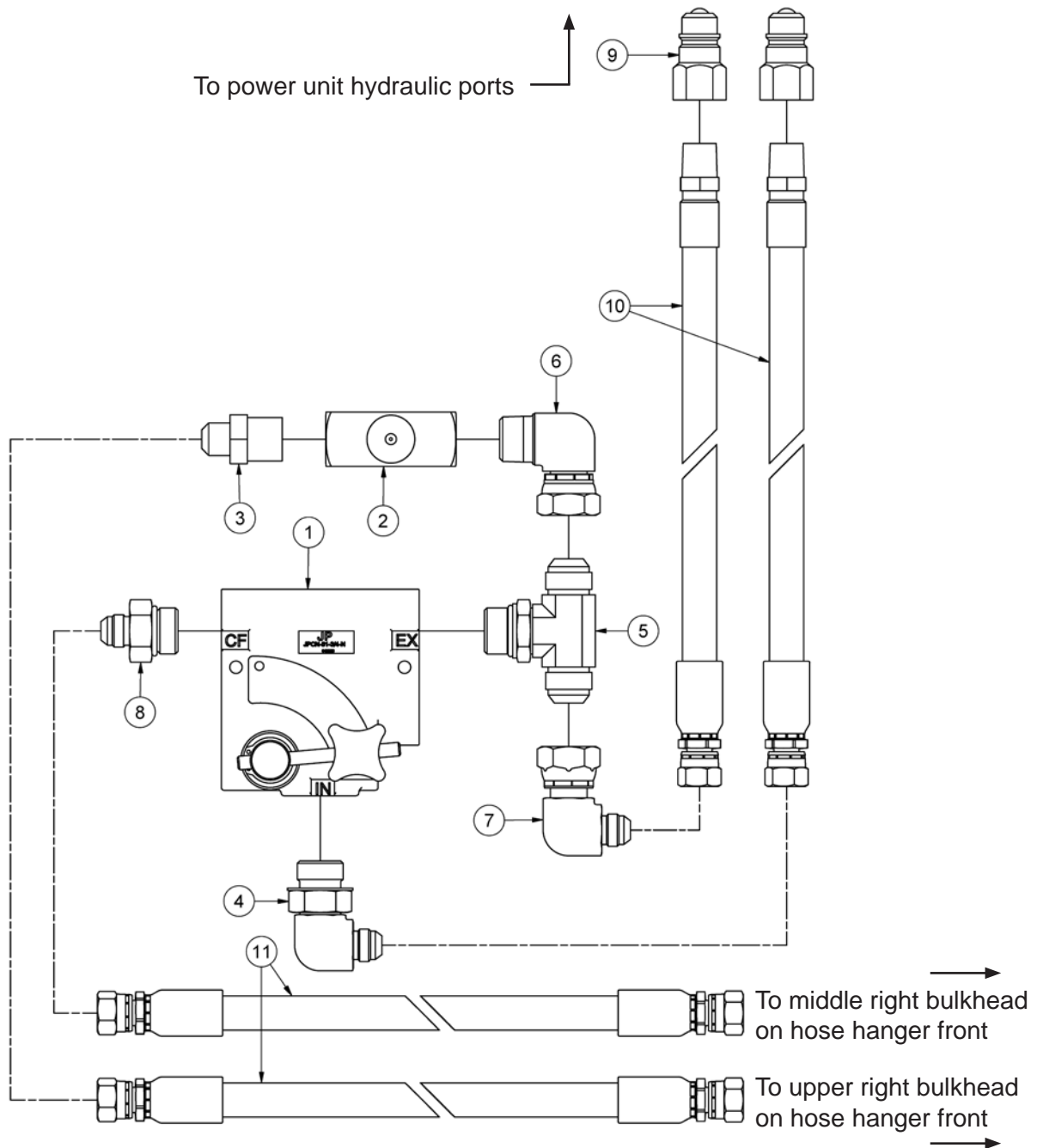
Flow Control Mounting



ITEM	QTY	PART NUMBER	DESCRIPTION
1	4	FW 1/4	Flatwasher - 1/4" Zinc Plated USS
2	2	HB 1/4-20X3 Z5	Hex Bolt 1/4-20x3 Grade 5 Zinc Plated Hex Cap Screw
3	2	HN 1/2	Hex Nut 1/2"-13 Grade 5 Zinc Plated Finished
4	2	LN 1/4 N	LN 1/4-20 Zinc Plated Nylon Insert Lock Nut

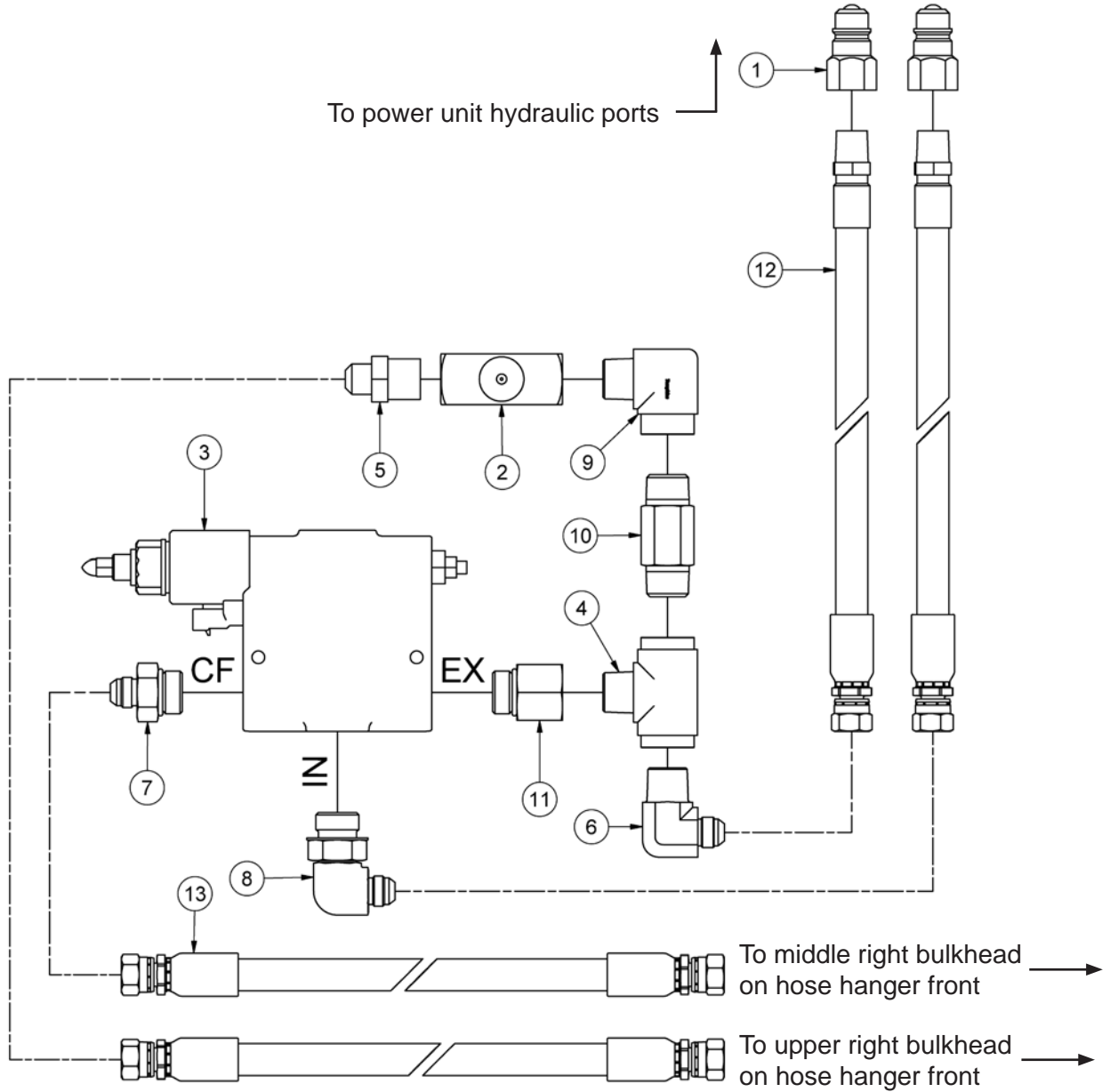
NOTICE: Manual flow control shown. Electric flow control option has same mounting hardware. See hydraulic layouts for flow control breakdowns.

Flow Control Hydraulic Layout - Manual



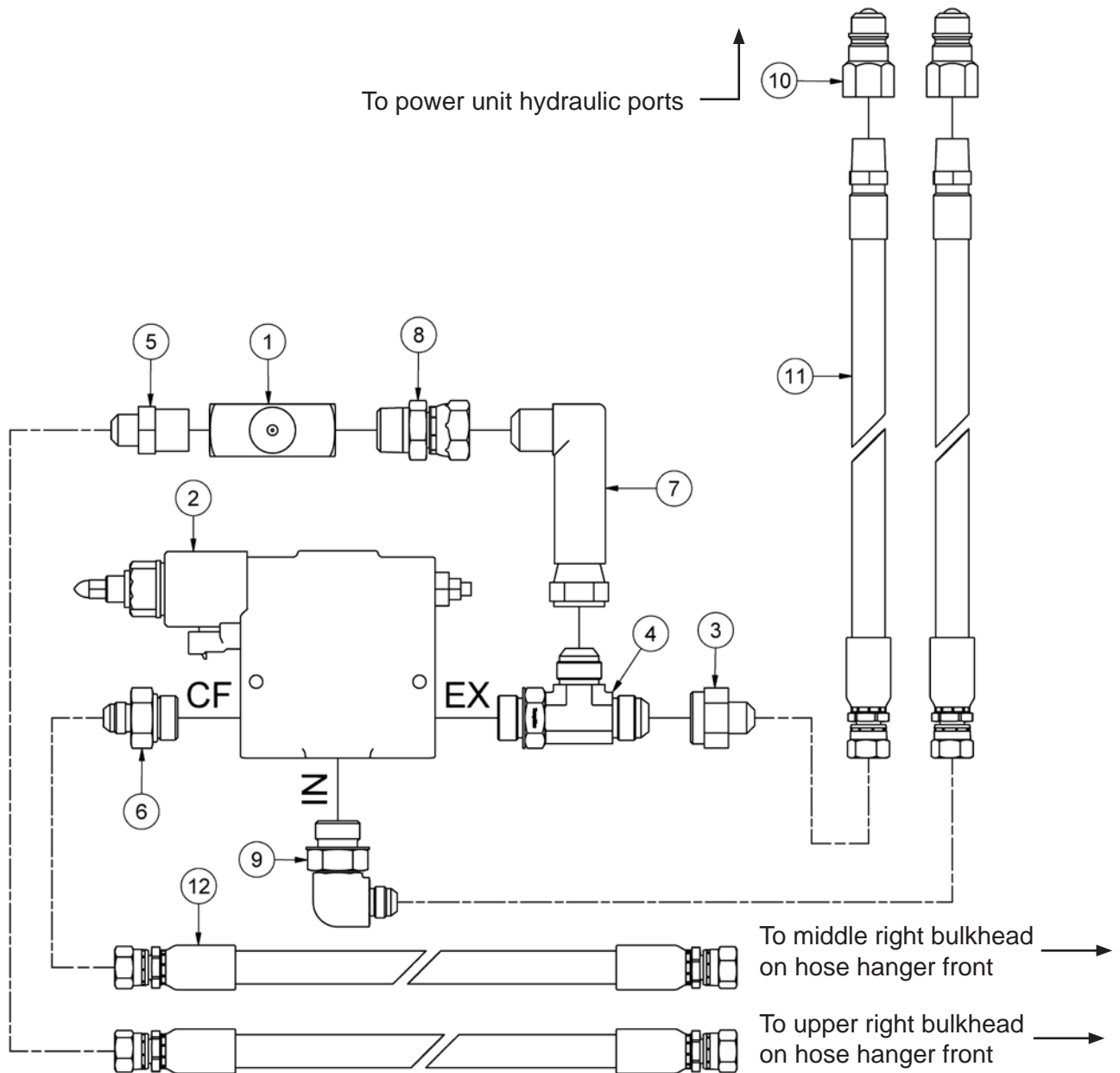
ITEM	QTY	PART NUMBER	DESCRIPTION
1	1	30855	Flow Control - Pressure Compensated 3/4
2	1	30857	Flow Control Valve - 3/4"
3	1	HF 2404-8-12	Hydraulic Fitting - Union
4	1	HF 6801-8-12	Hyd. Fitting - 1/2" JIC - 3/4" 90 Degree Elbow
5	1	HF 6803-12-12-12	Hyd. Fitting Male JIC Male JIC Male ORB Tee
6	1	HF 6501-12-12	Hyd. Fitting 90° 3/4 MNPT - 3/4 FJXH
7	1	HF 6500-8-12	Hyd. Fitting 1/2 Male JIC - 3/4 Female JIC 90°
8	1	HF 6400-8-12	Hyd. Fitting
9	2	HF 8010-4	Quickcoupler 1/2" Male Tip
10	2	30661	HH 1/2 72",8FJX,8MP
11	2	37987	HH 1/2 48",8FJX,8FJX

Flow Control Hydraulic Layout - Electric (Original)



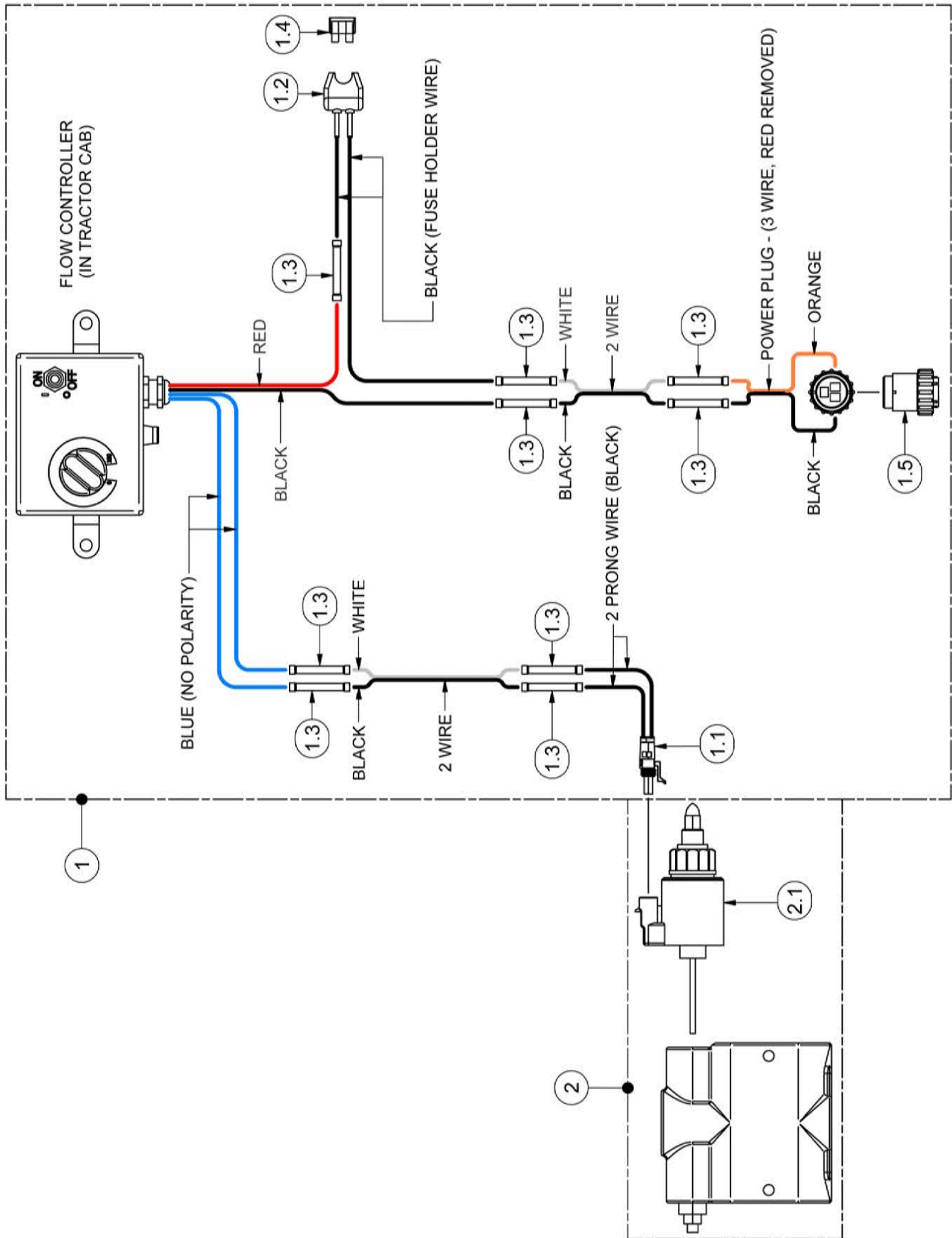
ITEM	QTY	PART NUMBER	DESCRIPTION	NOTE
1	2	HF 8010-4	Quickcoupler 1/2" Male Tip	
2	1	30857	Flow Control Valve - 3/4"	
3	1	37976	Electric Flow Control	Brkdnw on Pg.3-16
4	1	HF 5604-12-12	3/4 FNPT X 1/2 MNPT Branch Tee	
5	1	HF 2404-8-12	Hydraulic Fitting - Union	
6	1	HF 2501-8-12	Hydraulic Elbow Fitting - MJIC-MNPT	
7	1	HF 6400-8-12	Hyd. Fitting	
8	1	HF 6801-8-12	Hyd. Fitting - 1/2" JIC - 3/4" 90 Degree Elbow	
9	1	HF 5502-12-12	Hyd. Fitting - 90 Deg. Elbow 12-12	
10	1	HF 5404-L-12-12	Hyd. Fitting 3/4" X 3/4" MNPT Hex Nipple 3" Long	
11	1	HF 6405-12-12	Hydraulic Fitting - Male SAE-ORB to Female NPT	
12	2	30661	1/2" Hydraulic Hose (8FJX,8MP) - 69"	
13	2	37987	1/2" Hydraulic Hose (8FJX,8FJX) - 73"	

Flow Control Hydraulic Layout - Electric (Current)



ITEM	QTY	PART NUMBER	DESCRIPTION	NOTE
1	1	30857	Flow Control Valve - 3/4"	
2	1	37976	Electric Flow Control	Brkdwn on Pg.3-16
3	1	HF 2406-12-8	Hydraulic Adapter Fitting JIC	
4	1	HF 6804-12-12-12	Hydraulic Tee Fitting - SAE-ORB - MJICs	
5	1	HF 2404-8-12	Hydraulic Fitting - Union	
6	1	HF 6400-8-12	Hyd. Fitting	
7	1	HF 6500-L-12-12-FG	MJ-FJS 90° Elbow Long	
8	1	HF 6505-12-12	Male Pipe To Female JIC Swivel	
9	1	HF 6801-8-12	Hyd. Fitting - 1/2" JIC - 3/4" 90 Degree Elbow	
10	2	HF 8010-4	Quickcoupler 1/2" Male Tip	
11	2	30661	1/2" Hydraulic Hose (8FJX,8MP) - 69"	
12	2	37987	1/2" Hydraulic Hose (8FJX,8FJX) - 73"	

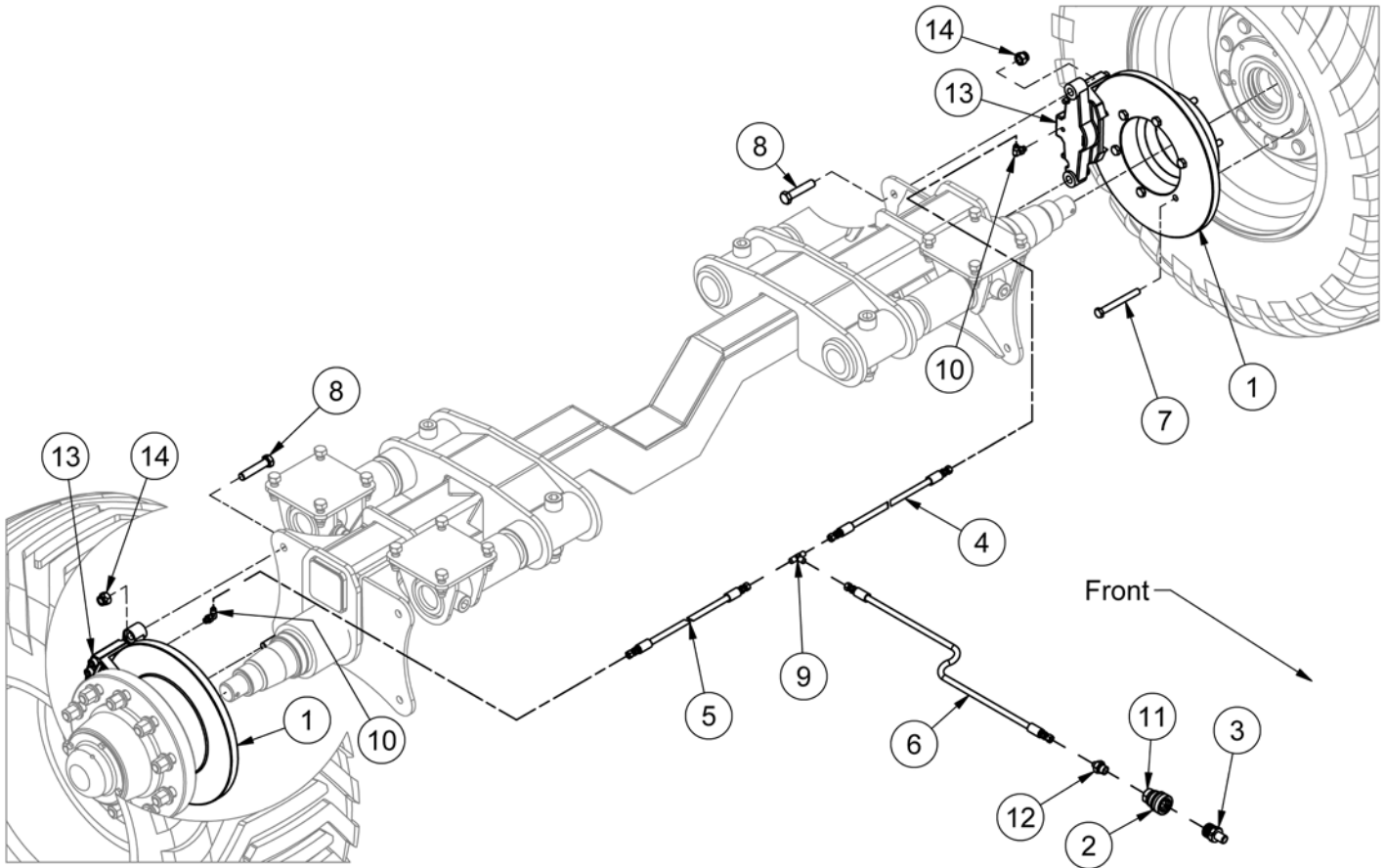
Electric Flow Control Wiring



Electric Flow Control Wiring

ITEM	QTY	PART NUMBER	DESCRIPTION
1	1	45344	Electric Flow Controller
1.1	1	37970	2 Prong Plug
1.2	1	TL82-2164	Fuse Holder
1.3	9	EL23662	Wire Connector
1.4	1	TL550-100-079	15 AMP Fuse
1.5	2	TB109-110-307	Power Plug
2	1	45345	Electric Flow Control
2.1	1	37968	Solenoid

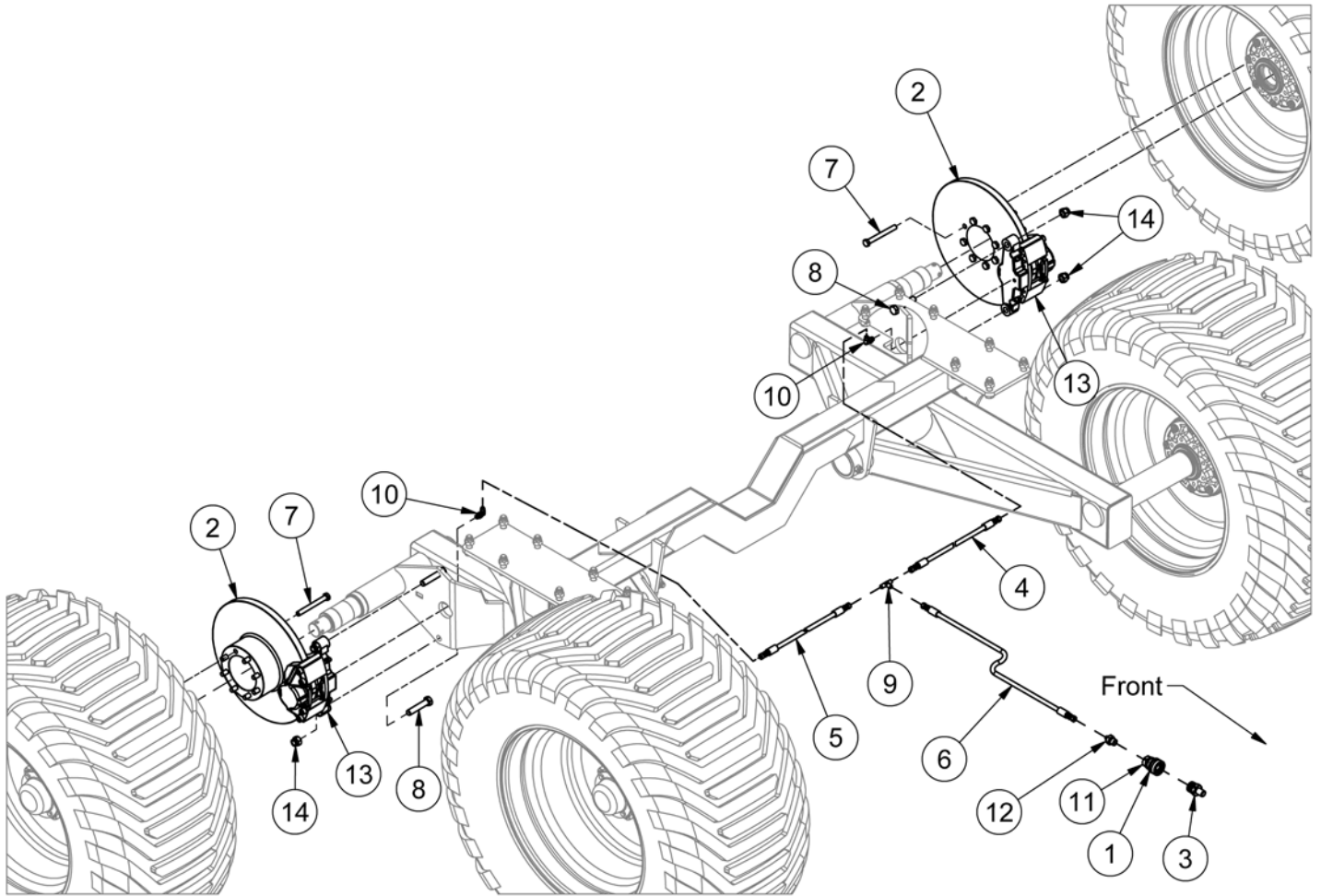
N275SB - Single Axle Brake Kit



*Scale ready axle shown.

ITEM	QTY	PART NUMBER	DESCRIPTION	NOTE
1	2	31773	Rotor for 16000# Hub - 9 Bolt	
2	1	36022	Hyd. Quick Coupler- Female- For Nitro Brakes	Inc. Item 11
3	1	37846	Hyd. Quick Coupler- Male- For Nitro Brakes	
4	1	44874	Hose - HH30 - 4AT1(4G4FJX,4G4FJX) HCL 30"	
5	1	44875	Hose - HH74 - 4AT1(4G4FJX,4G4FJX) HCL 74"	
6	1	44876	Hose - HH288 - 4AT1(4G4FJX,4G4FJX) HCL 288"	
7	18	HB 1/2-20 X4.5 YZ8	Hex Bolt 1/2-20x4 1/2 Grade 8 Zinc Hex Cap Screw	
8	4	HB 5/8-18 X3 YZ8	Hex Bolt 5/8-18x3 Grade 8 Zinc Hex Cap Screw	
9	1	HF 2603-4	Hydraulic Fitting - Male JIC Tee	
10	2	HF 6801-4-4	Hydraulic Fitting - 90° O-Ring to JIC	
11	1	HF 9500-18MM	Metric Thread Bonded Seal	
12	1	HF 9606-04-S18	Hydraulic Adaptor - 1/4" JIC/M18-1.5	
13	2	LA-11-1527	16000# Caliper	
14	4	LN 5/8 N	LN 5/8-11 Zinc Plated Nylon Insert Lock Nut	

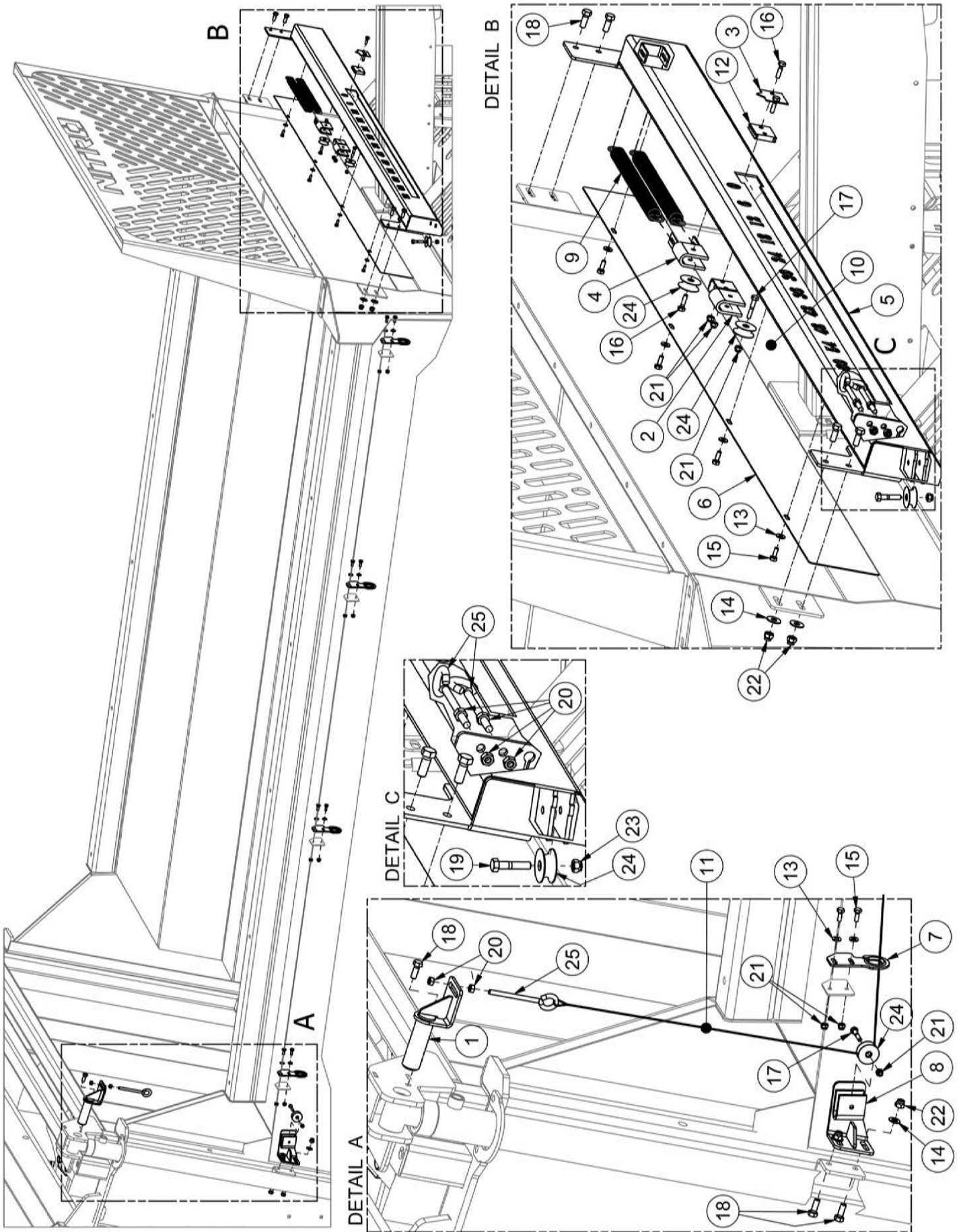
N275TB - Tandem Axle Brake Kit



**Non scale ready axle shown.*

ITEM	QTY	PART NUMBER	DESCRIPTION	NOTE
1	1	36022	Hyd. Quick Coupler- Female- For Nitro Brakes	Inc. Item 11
2	2	36042	12000# Hub Rotor	
3	1	37846	Hyd. Quick Coupler- Male- For Nitro Brakes	
4	1	44874	Hose - HH30 - 4AT1(4G4FJX,4G4FJX) HCL 30"	
5	1	44875	Hose - HH74 - 4AT1(4G4FJX,4G4FJX) HCL 74"	
6	1	44876	Hose - HH288 - 4AT1(4G4FJX,4G4FJX) HCL 288"	
7	16	HB 1/2-20 X4.5 YZ8	Hex Bolt 1/2-20x4 1/2 Grade 8 Zinc Hex Cap Screw	
8	4	HB 5/8-18 X3 YZ8	Hex Bolt 5/8-18x3 Grade 8 Zinc Hex Cap Screw	
9	1	HF 2603-4	Hydraulic Fitting - Male JIC Tee	
10	2	HF 6801-4-4	Hydraulic Fitting - 90° O-Ring to JIC	
11	1	HF 9500-18MM	Metric Thread Bonded Seal	
12	1	HF 9606-04-S18	Hydraulic Adaptor - 1/4" JIC/M18-1.5	
13	2	LA-11-1527	16000# Caliper	
14	4	LN 5/8 F	Center Locknuts (5/8-18) 2-Way Fine Thread	

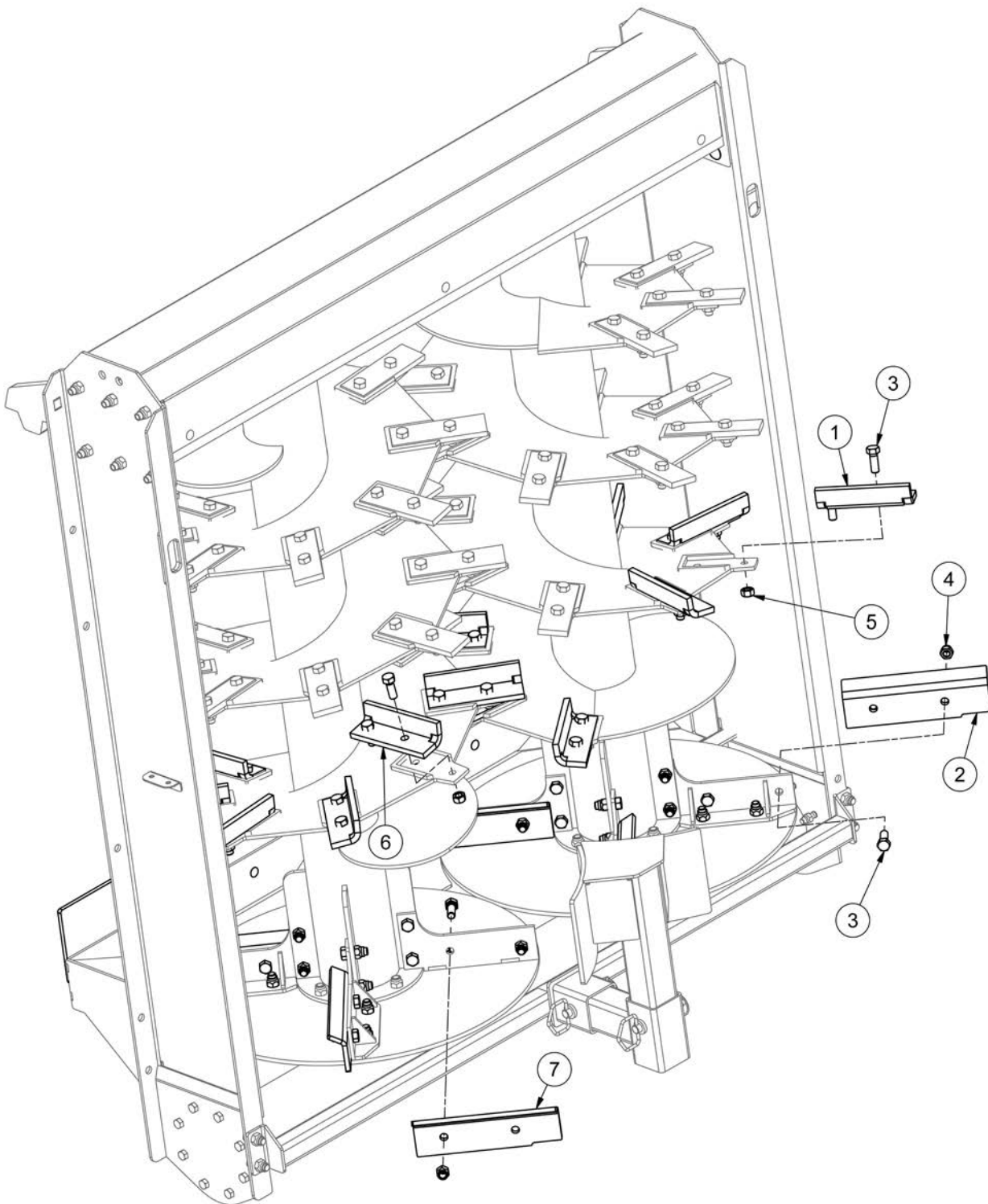
Endgate Indicator - 45865



Endgate Indicator - 45865

ITEM	QTY	PART NUMBER	DESCRIPTION
1	1	45314	Endgate Cable Pin
2	1	45407	Indicator Slider Mount
3	1	45409	Indicator Arrow
4	1	45410	Spring Tensioner Pulley
5	1	45879	275 Indicator
6	1	45881	Indicator Back Panel
7	4	45882	Indicator Wire Mount
8	1	45883	Rear Pulley Mount
9	2	46086	Spring 12.0 X 1.0 X .105
10	1	48200	Front Indicator Cable - .125" x 58"
11	1	48204	Side Indicator Cable - .125" x 254"
12	1	BF5000-183	Indicator Slider
13	12	FW 1/4	Flatwasher - 1/4" Zinc Plated USS
14	6	FW 3/8	Flatwasher - 3/8" Zinc Plated USS
15	12	HB1/4-20X0.75Z5	Hex Bolt 1/4-20x3/4 Grade 5 Zinc Plated Hex Cap Screw
16	3	HB1/4-20X1Z5	Hex Bolt 1/4-20x1 Grade 5 Zinc Plated Hex Cap Screw
17	2	HB1/4-20X1.5Z5	Hex Bolt 1/4-20x1 1/2 Grade 5 Zinc Plated Hex Cap Screw
18	7	HB3/8-16X1Z5	Hex Bolt 3/8-16x1 Grade 5 Zinc Plated Hex Cap Screw
19	1	HB5/16-18X1.5Z5	Hex Bolt 5/16-18x1 1/2 Grade 5 Zinc Plated Hex Cap Screw
20	6	HN5/16-18CZ5	Hex Nut 5/16"-18 Grade 5 Zinc Plated Finished
21	12	LN1/4-20NCZ5	LN 1/4-20 Zinc Plated Nylon Insert Lock Nut
22	17	LN3/8-16NCZ5	LN 3/8-16 Zinc Plated Nylon Insert Lock Nut
23	1	LN5/16-18NCZ5	LN 5/16-18 Zinc Plated Nylon Insert Lock Nut
24	4	PP00423	Pulley
25	3	PP00682	Eye Bolt - 5/16-18 x 4" Shank Zinc Plated Turned

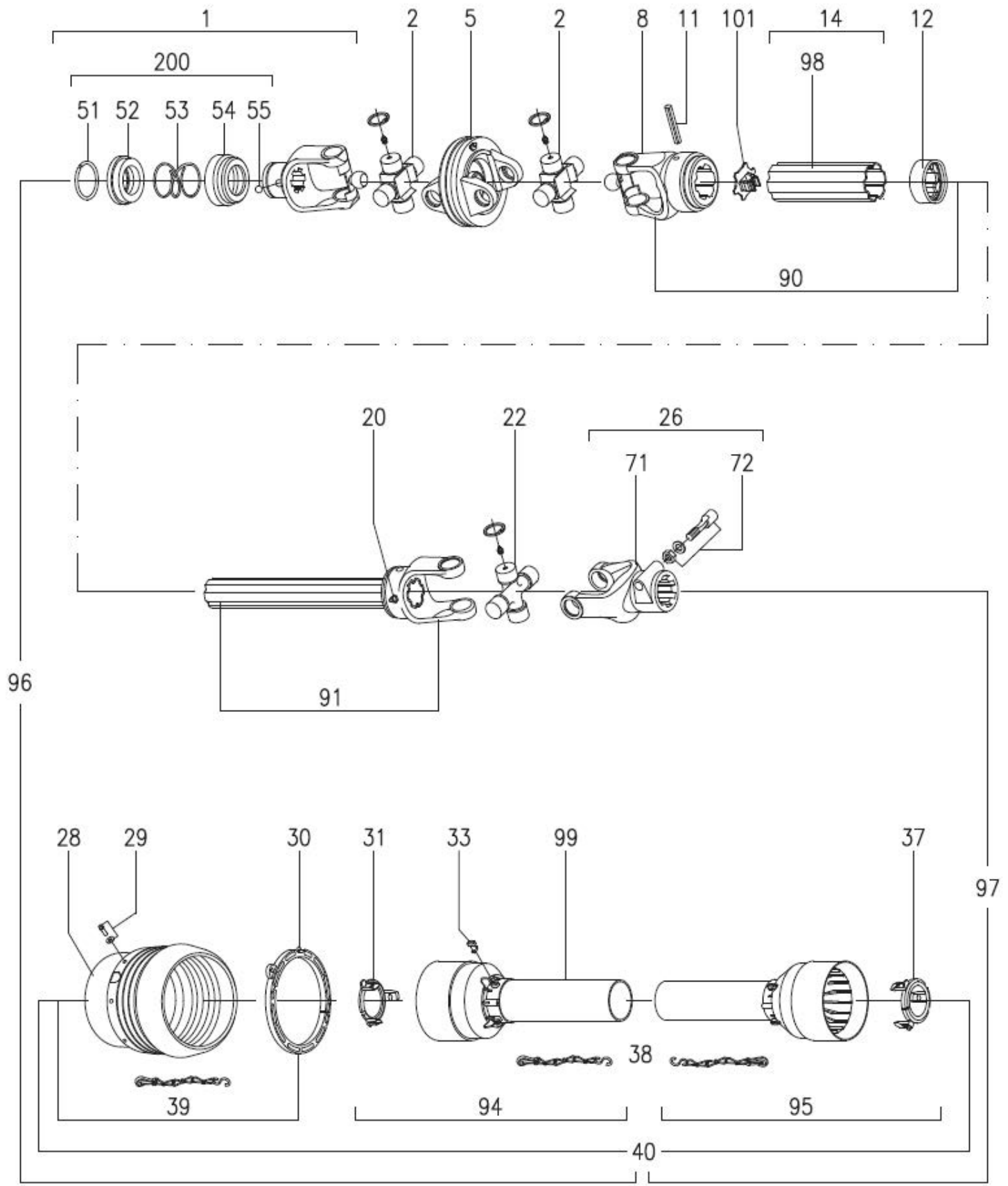
Flange Paddle Kit - 43864



ITEM	QTY	PART NUMBER	DESCRIPTION
1	8	37718	275 Right Cupped Beater Paddle
2	4	43863	275 Right Cupped Spinner Paddle
3	48	HB5/8-11X1.75Z5	Hex Bolt 5/8-11x1 3/4 Grade 5 Zinc Plated Hex Cap Screw
4	32	LN5/8-11NCZ5	LN 5/8-11 Zinc Plated Nylon Insert Lock Nut
5	16	LN5/8-11TCZ5	LN5/8-11 Gr.C Zinc Top Lock Nut
6	8	36518	275 Left Cupped Beater Paddle
7	4	43862	275 Left Cupped Spinner Paddle

Section 4 - PTOs

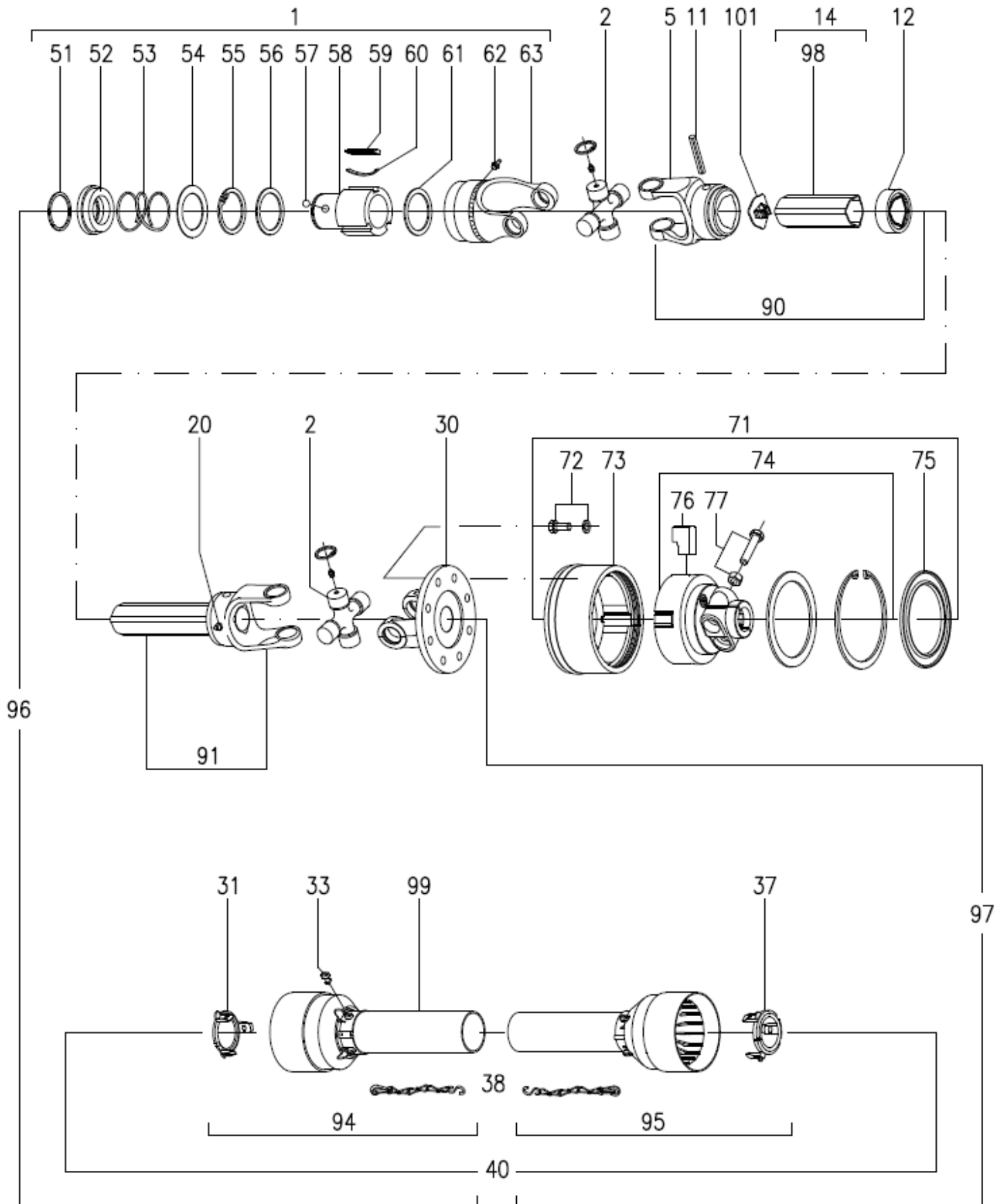
39850 - PTO. 375,450,525,600,750 (V80-141P028359-028028-CV80-CLS)



39850 - PTO. 375,450,525,600,750 (V80-141P028359-028028-CV80-CLS)

ITEM	QTY	PART NUMBER	DESCRIPTION
1	1	PTO141.028.359.1	Complete Collar yoke C03 for CV-Joint
2	2	PTO180.018.580	Cross Journal Set for CV-Joint
5	1	PTO141.028.157.1	Wide Angle Double Yoke
8	1	PTO141.028.248.1	Outer Yoke
11	1	PTO190.000.243	Roll Pin for Outer Tube
12	1	PTO180.018.437	Wiper
14	1	PTO152.280.566.0720	Complete Outer Tube
20	1	PTO180.017.411	Grease Nipple for Lube
22	1	PTO180.018.641	Cross Journal Set
26	1	PTO141.028.028.1	Complete Yoke 132
28	1	PTO180.018.582	Guard Cone for Wide Angle CV-Joint
29	6	PTO165.000.694	Screw Kit
30	1	PTO158.018.582	Bearing Ring
31	1	PTO180.018.251	Guard Retaining Collar for Outer Tube
33	3	PTO180.014.240	Bolt
37	1	PTO180.018.252	Guard Retaining Collar for Inner Tube
38	1	PTO180.016.790	Safety Chains
39	1	PTO165.000.801	Guard Cone Set
40	1	PTO142.981.078.2821	Complete Guard with Instruction Manual
51	1	PTO190.000.451	Outer Circlip
52	1	PTO151.016.486	Sliding Sleeve Collar
53	1	PTO180.016.487	Spring
54	1	PTO180.016.483	Fixed Sleeve
55	3	PTO190.000.078	Ball Ø 1/2"
71	1	PTO151.018.028.1	Yoke 132
72	1	PTO165.000.502	Tapered Pin Set 1" 3/8
90	1	PTO122.981.049.1	Female Tube with Yoke and Lube System
91	1	PTO122.580.526.1	Male Tube with Yoke and Lube System
94	1	PTO142.283.260.2821	Half Female Guarding with Label
95	1	PTO142.287.230.2821	Half Male Guarding
96	1	PTO199811410F05006	Half Female Shaft with Guarding
97	1	PTO123.486.358.01	Half Male Shaft with Guarding
98	1	PTO190.000.216	DANGER Label for Outer Tube
99	1	PTO190.000.215	DANGER Label for Outer Guard Tube
100	1	PTO190.000.371	Instruction Manual
101	1	PTO180.018.393	Plastic Cap for Outer Tube
200	1	PTO165.000.628	Kit Collar for Yoke 1 3/8"

39852 - PTO. 600, 750 (T60-086P265011-306028-CLS(2500NM))



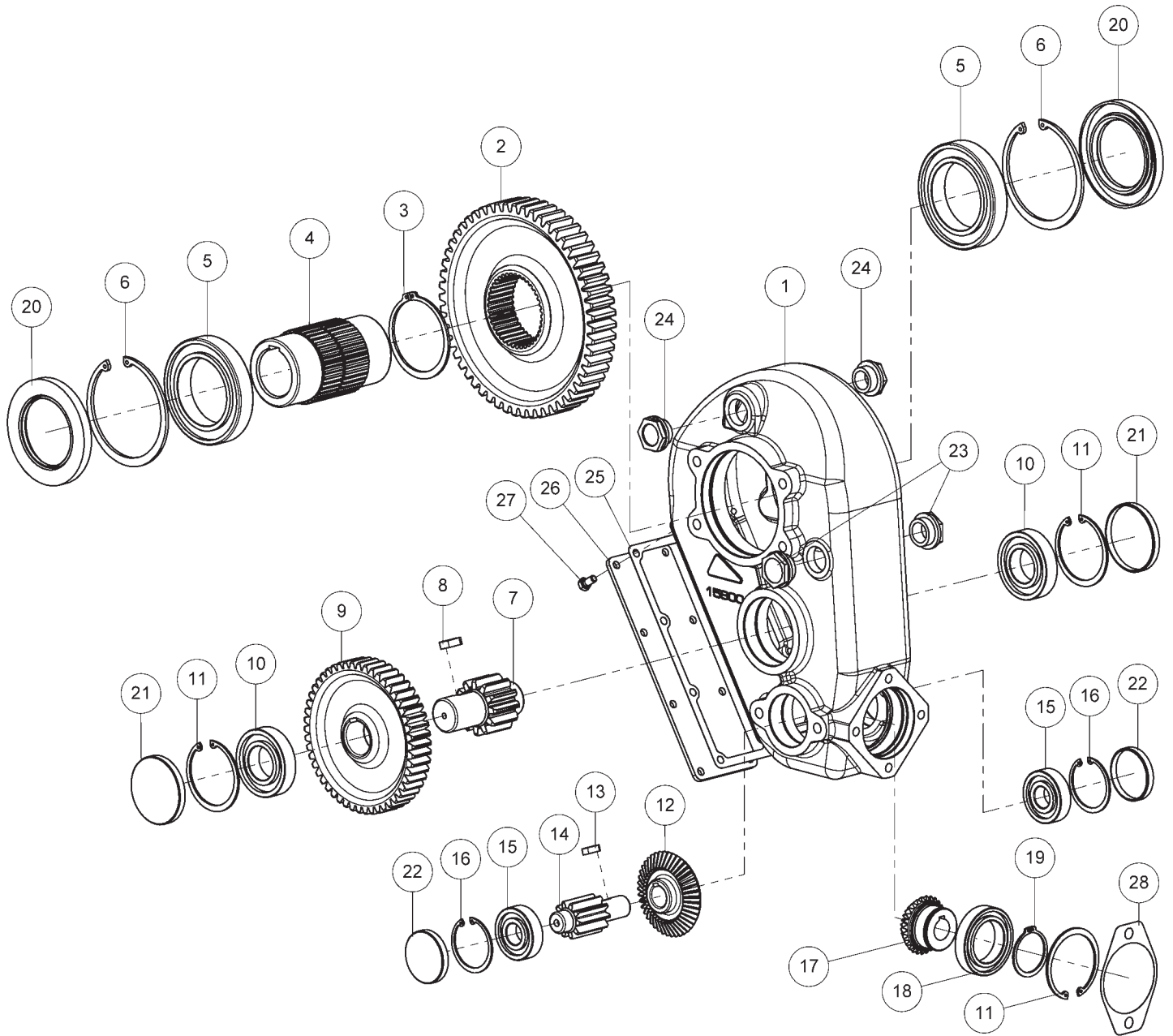
39852 - PTO. 600, 750 (T60-086P265011-306028-CLS(2500NM))

ITEM	QTY	PART NUMBER	DESCRIPTION
1	1	PTO145.265.011.1	Complete Overrunning Clutch R12
2	2	PTO180.016.780	Cross Journal Set
5	1	PTO151.016.028.1	Outer Yoke
11	1	PTO190.000.018	Roll Pin for Outer Tube
12	1	PTO180.016.572	Wiper
14	1	PTO152.160.435.0720	Complete Outer Tube
20	1	PTO180.017.411	Grease Nipple for Lube
30	1	PTO151.016.543.1	Flange FGL
31	1	PTO180.016.237	Guard Retaining Collar for Outer Tube
33	6	PTO180.014.240	Bolt
37	1	PTO180.016.238	Guard Retaining Collar for Inner Tube
38	2	PTO180.016.790	Safety Chains
40	1	PTO142.260.536.7621	Complete Guard with Instruction Manual
51	1	PTO190.000.451	Outer Circlip
52	1	PTO151.016.486	Sliding Sleeve Collar
53	1	PTO180.016.487	Spring
54	1	PTO180.015.143	Spring Push Ring
55	1	PTO190.000.183	Inner Circlip
56	1	PTO180.014.135	Retaining Washer
57	3	PTO190.000.078	Ball
58	1	PTO151.016.546	Hub R12 (1 3/8" Z6)
59	3	PTO151.014.136	Ratchet
60	3	PTO151.014.137	Leaf Spring
61	1	PTO190.000.199	Retaining Washer
62	1	PTO190.000.020	Grease Nipple M8x1
63	1	PTO141.026.210.1	Outer Casting with Yoke
71	1	PTO144.306.009.1	Automatic Torque Limiter (1 3/4" Z6)
72	8	PTO165.000.708	Special Screw M12x1.25x25 w/ Washers Type "SCHNOOR"
73	1	PTO141.028.411.1	Outer Casing
74	1	PTO165.000.713	Complete Hub (3000Nm w/o Springs)
75	1	PTO180.018.400	Grease Retaining
76	4	PTO151.018.390	Ratchet
77	2	PTO165.000.752	Bolts M12x1.25x60 & Nuts
90	1	PTO122.360.088.1	Female Tube with Yoke and Lube System
91	1	PTO122.360.568.1	Male Tube with Yoke and Lube System
94	1	PTO142.266.311.7621	Half Female Guarding with Guarding
95	1	PTO142.267.286.7621	Half Male Guarding
96	1	PTO123.360.519.11	Half Female Shaft with Guarding
97	1	PTO123.460.180.11	Half Male Shaft with Guarding
98	1	PTO190.000.216	"DANGER" Label for Outer Tube
99	1	PTO190.000.215	"DANGER" Label for Outer Guard Tube
100	1	PTO190.000.371	Instruction Manual
101	1	PTO180.016.468	Plastic Cap for Outer Tube

Intentionally Left Blank

Section 5 - Gearboxes

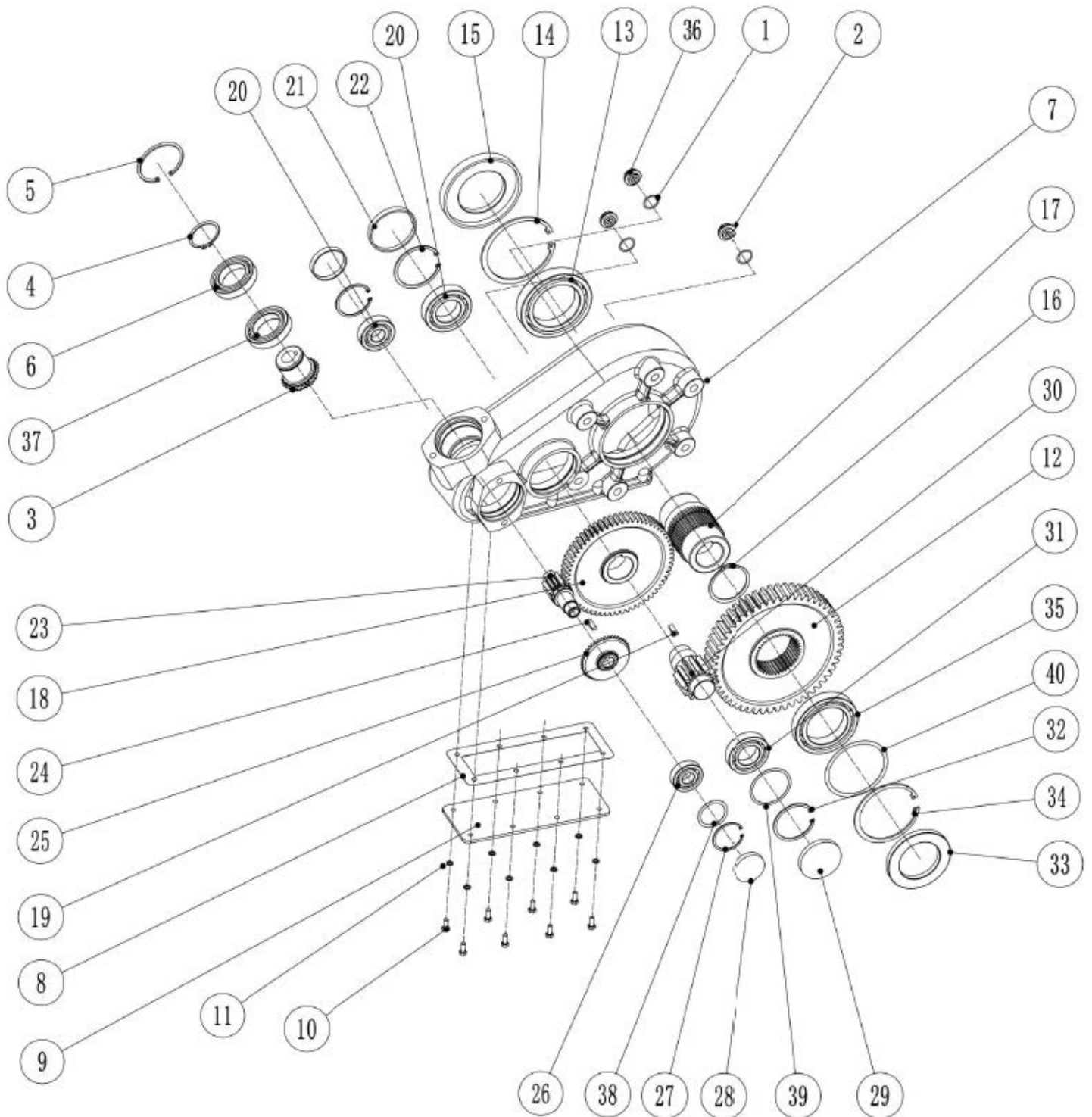
34001 - Apron Chain Gearbox - Up to SN 22NRS130



34001 - Apron Chain Gearbox - Up to SN 22NRS130

ITEM	QTY	PART NUMBER	DESCRIPTION
1	1	15800	Reducer Gearbox
2	1	9185	Gear Wheel Z55
3	1	9194	External Snap Ring E88
4	1	9214	Spline Coupler
5	2	9196	Bearing 6016
6	2	9195	Internal Snap Ring I125
7	1	8670/5	Return Pinion Z12
8	1	4174	Key 12x8x30
9	1	8670/4	Gear Wheel Z50
10	2	3342	Bearing 6208
11	3	3435	Internal Snap Ring I80
12	1	8670/2	Conical Crown Z43
13	1	3396	Key 8x7x25
14	1	8670/3	Return Pinion Z10
15	2	8596	Bearing 6305
16	2	3433	Internal Snap Ring I62
17	1	8670/1	Pinion Z28
18	1	1538	Bearing 6010
19	1	3428	External Snap Ring E50
20	2	9197	Ring Seal 80/125/12-DL
21	2	8243	Cap Ø80 sp.10
22	2	8625	Cap Ø62 sp.10
23	2	1831	Oil Level Indicator Ø1" Gas
24	2	9175	Breather Plug Ø1" Gas
25	1	9199	Cover Gasket
26	1	9198	Gearbox Lid
27	8	3284	Screw TE M8x16-8G
28	1	8671	Engine Gasket

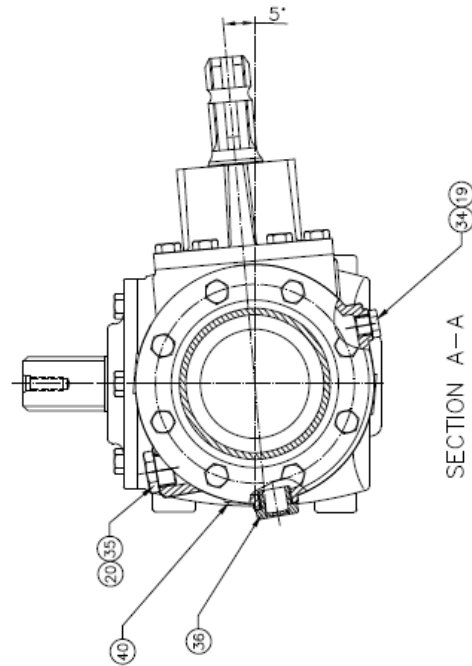
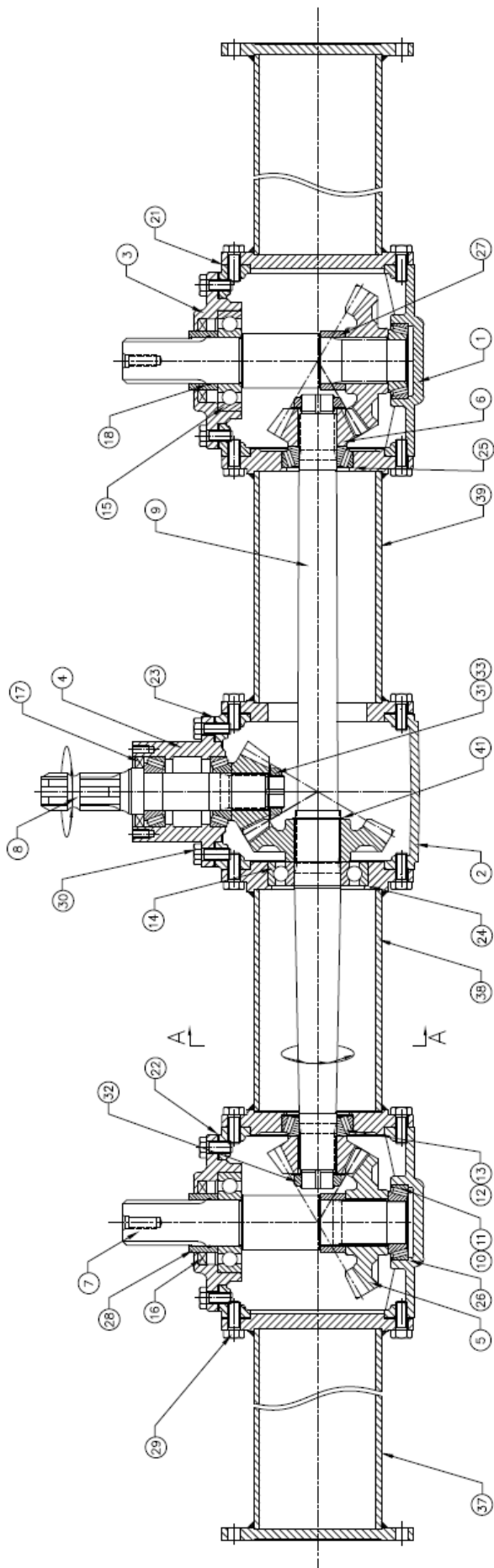
49994 - CNM350 Apron Chain Gearbox - SN 23NRS101 - Current



49994 - CNM Apron Chain Gearbox - SN 23NRS101 - Current

ITEM	QTY	PART NUMBER	DESCRIPTION	NOTE
1	3	49994-01	Gasket G1/2	
2	1	49994-02	Oil Plug G1/2	Items 1,2
3	1	49994-03	Gear 1 M3.5-16	
4	1	49994-04	Circlips For Shafts 45 (t=1.5)	
5	1	49994-05	Circlips For Holes 75 (t=2.5)	
6	1	49994-06	Bearing 6009-2RS	
7	1	49994-07	Housing CNM350	
8	1	49994-08	Gasket	
9	1	49994-09	Cover2	
10	8	49994-10	Hex Bolt M8x20	
11	8	49994-11	Spring Washer 8 Dia	
12	1	49994-12	Gear 1 M3.5-76	
13	1	49994-13	Bearing 6016	
14	1	49994-14	Circlips For Holes 125 (T=4)	
15	1	49994-15	Seal 78 125 10 TC	
16	1	49994-16	Circlips For Holes 80 (t=2.5)	
17	1	49994-17	Gear Shaft 55Dia	
18	1	49994-18	Gear 2 M3-53 (Inc 18/19)	
19	2	49994-19	Key 12x8x25	
20	2	49994-20	Bearing 6207	
21	2	49994-21	Seal Cover 72 10	
22	2	49994-22	Circlips For Holes 72 (t=2.5)	
23	1	49994-23	Gear Shaft 1 M3-15	
24	1	49994-24	Key 12x8x20	
25	1	49994-25	Bevel Gear 2 M3.5-32	
26	1	49994-26	Bearing 6208	
27	1	49994-27	Circlips For Holes 80 (t=2.5)	
28	1	49994-28	Seal Cover 80 10	
29	1	49994-29	Seal Cover 90 10	
30	1	49994-30	Gear Shaft 2 M3.5-14	
31	1	49994-31	Bearing 6308	
32	1	49994-32	Circlips For Holes 90 (t=3)	
33	1	49994-33	Seal 85 130 12 TC	
34	1	49994-34	Circlips For Holes 130 (t=4)	
35	1	49994-35	Bearing 6017	
36	2	49994-36	Oil Level G1/2	Incl Item 1
37	1	49994-37	Bearing 6009	
38	3	49994-38	Shim Kit 79.8x70x0.2/0.3/0.5	
39	3	49994-39	Shim Kit 89.8x78x0.2/0.3/0.5	
40	3	49994-40	Shim Kit 130x115x0.2/0.3/0.5	
		49994-RK	CNM350 Repair Kit	
		49994-SK	CNM350 Seal Kit	








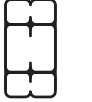



42409 - Beater Gearbox (251393)



42409 - Beater Gearbox (251393)

ITEM	QTY	PART NUMBER	DESCRIPTION
1	2	010614	Side Gearbox Housing
2	1	010615	Central Gearbox 5" Offset Housing
3	2	020578	Output Cap
4	1	020579	Cantilevered Cap
5	3	031423	22T Bevel
6	3	031424	13T Bevel
7	2	041035	Output Shaft 2.125" 8-Spline
8	1	041036	Input Shaft 1.75" 6-Spline
9	1	041038	Thru Shaft
10	2	050220	Bearing Cup 32210
11	2	050221	Bearing Cone 32210
12	4	050474	Bearing Cup 32209
13	4	050475	Bearing Cone 32209
14	1	050414	Bearing Ball 6311
15	2	050555	Bearing Ball 6311-RS
16	2	060124	Output Seal
17	1	060239	Input Seal
18	2	060485	O-Ring Ø54.5x2.65
19	1	060486	O-Ring Ø18x3
20	1	060487	O-Ring Ø26.5x2.65
21	6	070454	Side Gasket
22	2	070455	Output Gasket
23	1	070456	Input Gasket
24	1	090171	Shim Ø119.5x111xVAR
25	2	090172	Shim Ø84.5x76xVAR
26	2	090173	Shim Ø89.5x81xVAR
27	2	090569	Spacer Ø70x55x30mm
28	2	090570	Spacer Ø70x55x34mm
29	48	110343	Hex Head Cap Screw M14x2.0x35
30	18	110470	Hex Head Cap Screw M14x2.0x30
31	2	120193	Bearing Locknut M40x1.5
32	1	110194	Bearing Locknut M40x1.5 (LH)
33	3	130267	Bearing Washer M40
34	1	140213	Flange Hex Head Plug M20x1.5
35	1	140214	Flange Hex Head Plug M30x1.5
36	1	140215	Sight Glass Plug M33x1.5
37	2	180480	Outer Extension Tube Subassembly
38	1	180481	Left Inner Extension Tube Subassembly
39	1	180482	Right Inner Extension Tube Subassembly
40	1	190156	ID Tag
41	1	200127	External Retaining Ring E55

Torque Value Chart - Imperial

SAE Grade and Head Markings	1 or 2 ^b	5	5.1	5.2	8	8.2
	NO MARK 					
SAE Grade and Nut Markings	2	5		8		
	NO MARK 					

Size	Grade 1				Grade 2 ^b				Grade 5, 5.1, or 5.2				Grade 8 or 8.2			
	Lubricated ^a		Dry ^a		Lubricated ^a		Dry ^a		Lubricated ^a		Dry ^a		Lubricated ^a		Dry ^a	
	N-m	lb-ft	N-m	lb-ft	N-m	lb-ft	N-m	lb-ft	N-m	lb-ft	N-m	lb-ft	N-m	lb-ft	N-m	lb-ft
1/4	3.7	2.8	4.7	3.5	6	4.5	7.5	5.5	9.5	7	12	9	13.5	10	17	12.5
5/16	7.7	5.5	10	7	12	9	15	11	20	15	25	18	28	21	35	26
3/8	14	10	17	13	22	16	27	20	35	26	44	33	50	36	63	46
7/16	22	16	28	20	35	26	44	32	55	41	70	52	80	58	100	75
1/2	33	25	42	31	53	39	67	50	85	63	110	80	120	90	150	115
9/16	48	36	60	45	75	56	95	70	125	90	155	115	175	130	225	160
5/8	67	50	85	62	105	78	135	100	170	125	215	160	240	175	300	225
3/4	120	87	150	110	190	140	240	175	300	225	375	280	425	310	550	400
7/8	190	140	240	175	190	140	240	175	490	360	625	450	700	500	875	650
1	290	210	360	270	290	210	360	270	725	540	925	675	1050	750	1300	975
1-1/8	400	300	510	375	400	300	510	375	900	675	1150	850	1450	1075	1850	1350
1-1/4	570	425	725	530	570	425	725	530	1300	950	1650	1200	2050	1500	2600	1950
1-3/8	750	550	950	700	750	550	950	700	1700	1250	2150	1550	2700	2000	3400	2550
1-1/2	1000	725	1250	925	990	725	1250	930	2250	1650	2850	2100	3600	2650	4550	3350

DO NOT use these values if a different torque value or tightening procedure is given for a specific application. Torque values listed are for general use only. Check tightness of fasteners periodically.

Shear bolts are designed to fail under predetermined loads. Always replace shear bolts with identical grade.

Fasteners should be replaced with the same or higher grade. If higher grade fasteners are used, these should only be tightened to the strength of the original.

Make sure fasteners threads are clean and that you properly start thread engagement. This will prevent

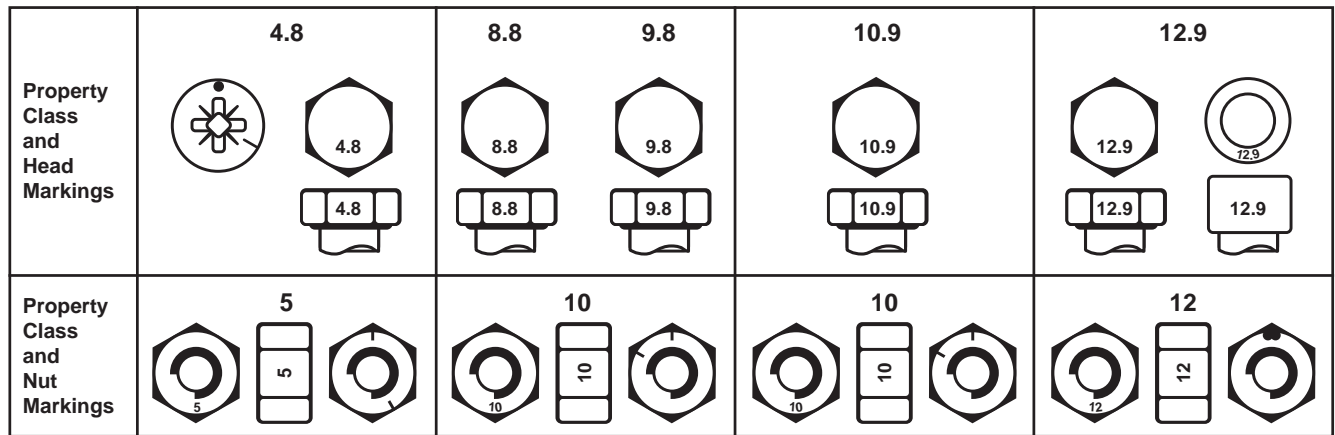
them from failing when tightening.

Tighten plastic insert or crimped steel-type lock nuts to approximately 50 percent of the dry torque shown in the chart, applied to the nut, not to the bolt head. Tighten toothed or serrated-type lock nuts to the full torque value.

^a "Lubricated" means coated with a lubricant such as engine oil, or fasteners with phosphate and oil coatings. "Dry" means plain or zinc plated without any lubrication.

^b Grade 2 applies for hex cap screws (not hex bolts) up to 152 mm (6-in.) long. Grade 1 applies for hex cap screws over 152 mm (6-in.) long, and for all other types of bolts and screws of any length.

Torque Value Chart - Metric



Size	Class 4.8				Class 8.8 or 9.8				Class 10.9				Class 12.9			
	Lubricated ^a		Dry ^a		Lubricated ^a		Dry ^a		Lubricated ^a		Dry ^a		Lubricated ^a		Dry ^a	
	N-m	lb-ft	N-m	lb-ft	N-m	lb-ft	N-m	lb-ft	N-m	lb-ft	N-m	lb-ft	N-m	lb-ft	N-m	lb-ft
M6	4.8	3.5	6	4.5	9	6.5	11	8.5	13	9.5	17	12	15	11.5	19	14.5
M8	12	8.5	15	11	22	16	28	20	32	24	40	30	37	28	47	35
M10	23	17	29	21	43	32	55	40	63	47	80	60	75	55	95	70
M12	40	29	50	37	75	55	95	70	110	80	140	105	130	95	165	120
M14	63	47	80	60	120	88	150	110	175	130	225	165	205	150	260	190
M16	100	73	125	92	190	140	240	175	275	200	350	255	320	240	400	300
M18	135	100	175	125	260	195	330	250	375	275	475	350	440	325	560	410
M20	190	140	240	180	375	275	475	350	530	400	675	500	625	460	800	580
M22	260	190	330	250	510	375	650	475	725	540	925	675	850	625	1075	800
M24	330	250	425	310	650	475	825	600	925	675	1150	850	1075	800	1350	1000
M27	490	360	625	450	950	700	1200	875	1350	1000	1700	1250	1600	1150	2000	1500
M30	675	490	850	625	1300	950	1650	1200	1850	1350	2300	1700	2150	1600	2700	2000
M33	900	675	1150	850	1750	1300	2200	1650	2500	1850	3150	2350	2900	2150	3700	2750
M36	1150	850	1450	1075	2250	1650	2850	2100	3200	2350	4050	3000	3750	2750	4750	3500

DO NOT use these values if a different torque value or tightening procedure is given for a specific application. Torque values listed are for general use only. Check tightness of fasteners periodically.

Shear bolts are designed to fail under predetermined loads. Always replace shear bolts with identical property class.

Fasteners should be replaced with the same or higher property class. If higher property class fasteners are used, these should only be tightened to the strength of the original.

Make sure fasteners threads are clean and that you

properly start thread engagement. This will prevent them from failing when tightening.

Tighten plastic insert or crimped steel-type lock nuts to approximately 50 percent of the dry torque shown in the chart, applied to the nut, not to the bolt head. Tighten toothed or serrated-type lock nuts to the full torque value.

^a "Lubricated" means coated with a lubricant such as engine oil, or fasteners with phosphate and oil coatings. "Dry" means plain or zinc plated without any lubrication.

Index

34001 - Apron Chain Gearbox - Up to SN 22NRS1305-2
39850 - PTO. 375,450,525,600,750 (V80-141P028359-028028-CV80-CLS)4-2
39852 - PTO. 600, 750 (T60-086P265011-306028-CLS(2500NM)4-4
42409 - Beater Gearbox (251393)5-6
49994 - CNM350 Apron Chain Gearbox - SN 23NRS101 - Current5-4
Apron Runners	2-24
Beater Greaselines	2-28
Beaters	2-14
Driveline2-8
Electric Flow Control Wiring	3-16
Endgate.	2-12
Endgate Indicator - 45865	3-20
Flange Paddle Kit - 43864	3-22
Floor & Side Boards	2-16
Flow Control Hydraulic Layout - Electric (Current).	3-15
Flow Control Hydraulic Layout - Electric (Original)	3-14
Flow Control Hydraulic Layout - Manual.	3-13
Flow Control Mounting	3-12
Front Apron Drive.2-6
Front Shields2-4
Hitch.2-2
Hitch Options3-2
Hydraulic Layout	2-26
ISO Safety Decal LocationsVIII
ISO Safety Decals IX
Light Kit Wiring Harness3-8
Manuals II
Mechanical Light Kit - 43622 (Serial No. 19NRS101 to current)3-4
Mechanical Light Kit - 43622 (Up to Serial No. 18NRS138)3-6
Model Decal List XI
Model Decal Locations X
N275SB - Single Axle Brake Kit	3-18
N275TB - Tandem Axle Brake Kit	3-19
N750LC (GT400) / N750LCNT460 Scales	3-10
N750LCNT8000 Scales	3-11
Nitro Apron Chain Warranty II
Optional Kit Numbers3-1
Parts Manual II
Rear Apron Drive	2-10
Safety Decals VI
Safety Sign Locations V
Section 2 - Parts Breakdowns & Lists2-1
Section 3 - Optional Features3-1
Section 4 - PTOs4-1

Section 5 - Gearboxes5-1
Serial Number.	II
Single Axle	2-18
Tandem Axle (w/o Scales)	2-20
Tandem Axle (w/ Scales)	2-22
Torque Value Chart - Imperial	X
Torque Value Chart - Metric	XI
Warranty and Limitation of Liability	II



Scan with smartphone to
download latest manual.

TUBE•LINE™