

TUBE•LINE™

Tubeline Manufacturing Limited
6455 Reid Woods Drive RR #4
Elmira, Ontario, Canada N3B 2Z3

Email: sales@tubeline.ca

Fax: 519.669.5808

Tel: 519.669.9488

Toll-free (North America): 1.888.856.6613

www.tubeline.ca

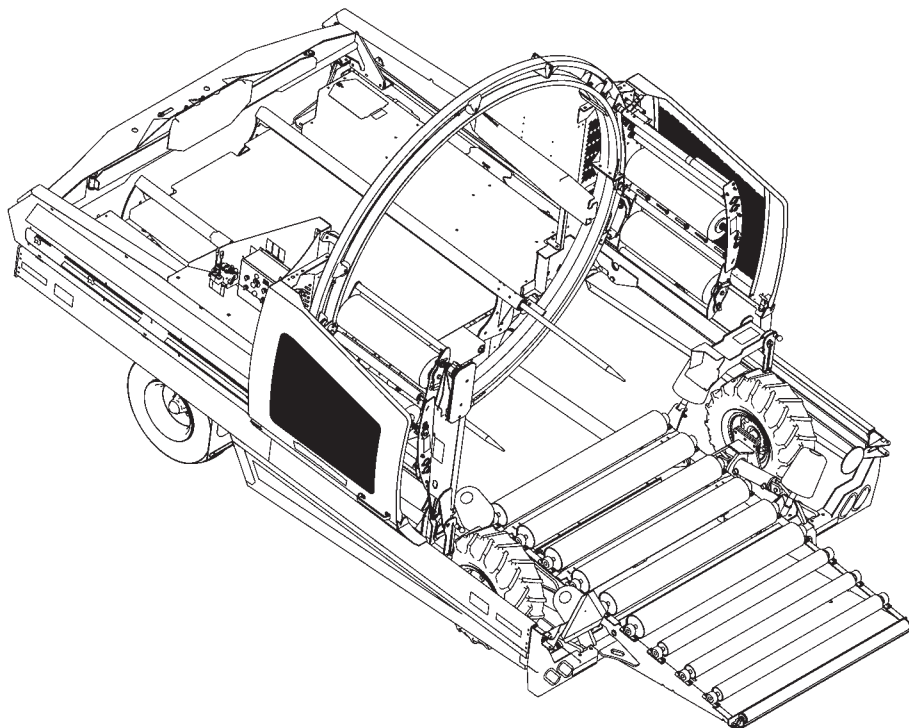
Parts Manual

Keep this manual with the machine at all times.

TL70LSV

Balewrapper

TL70LSV



Parts Manual

Thank you for choosing the Tubeline TL70LSV Balewrapper. Our hope is it will give you many years of productive service. This machine is designed to wrap bales in a continual line with plastic film.

Parts Manual Usage

This parts manual is used to order replacement parts by means of part breakdowns and their corresponding part lists. Each page contains a different range of integrated parts. Each illustration visually represents machine components. The part lists contain information needed to order replacement parts. Part lists include the following columns:

ITEM - Number matching parts breakdown balloons.

QTY - Quantity of components included in this breakdown, not entire machine.

PART NUMBER - The number to be used when placing an order.

DESCRIPTION - Term used to confirm its matching part number.

NOTE - Column may be added to part lists when a serial break or additional information is required.

Remember to always have your machine model and serial number on hand when ordering parts.

Part Orders

Part orders are taken by your local Tubeline dealer and fulfilled through a regional distributor. For quick service please record your dealer name and contact information in the *Serial Number* section.

Manuals

Parts manuals are printed and shipped with machines as they leave the manufacturer. Your machine may include parts or features not yet included in the initially shipped manual. The latest manual version can be found at www.tubeline.ca/support. Tubeline reserves the right to update and change manuals as seen fit. Dealers are informed of any pressing changes/ modifications. They can help you with any questions regarding replacement parts.

Serial Number

The implement serial number is located on the front right corner of the frame. (See below) This number helps us to track changes and improvements and must be mentioned when ordering parts or requesting service. For your convenience, a space has been provided inside the front cover of this manual to record the serial number, model number, purchase date, and dealer name.

Model No: _____ TL70LSV _____

Serial No: _____

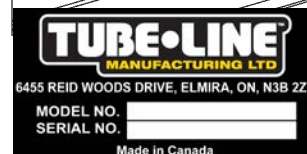
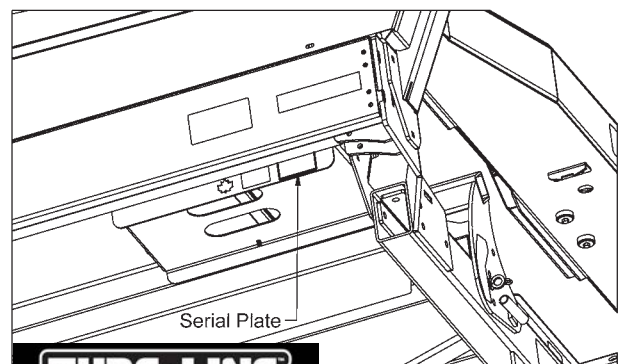
Date Purchased: _____

Dealer Name: _____

Dealer Contact: _____

Engine Model No: _____

Engine Serial No: _____





Inline Wrapper 3 Year Limited Warranty Statement *(Excludes Individual Wrapper)*

All Equipment is sold subject to mutual agreement that it is warranted by Tube-Line Manufacturing Ltd (hereinafter the company) to be free from defects in material and workmanship. The company's liability shall be limited exclusively to the original owner to replace or repair without charge, at its factory or elsewhere, at its discretion, any defects in material or workmanship which become apparent in the first year from the date on which the equipment was purchased. In the second and third year the company will supply at no charge replacement of defective parts only. Installation and freight will be at the expense of the owner.

Components supplied by third parties and not manufactured by the company will carry such warranty as extended by such parties, such as but not limited to, tires, batteries, electrical components, hydraulics and engines.

The buyer by the acceptance of the equipment will assume all liability for any damages which may result from accident, abuse or misuse by his employees or others. Any equipment that has been altered or modified without prior written authorization by the company will render the warranty null and void.

No employee or representative of the company is authorized to make changes to this warranty or grant additional warranty terms unless authorized in writing by management of the company.

The company shall not be liable for special, indirect or consequential damages of any kind including but not limited to, loss of revenue, rental replacement costs or other losses.

Normal wear and tear from normal use of the equipment is not warranted. The end user is expected to maintain and service the equipment in accordance with accepted practices. Failure to do so will void the terms of this warranty.

Warranty coverage is null and void unless Warranty Registration form has been completely filled in and is on file at Tube-Line Manufacturing Ltd.

NOTE: Newest manual version can be found at www.tubeline.ca/support

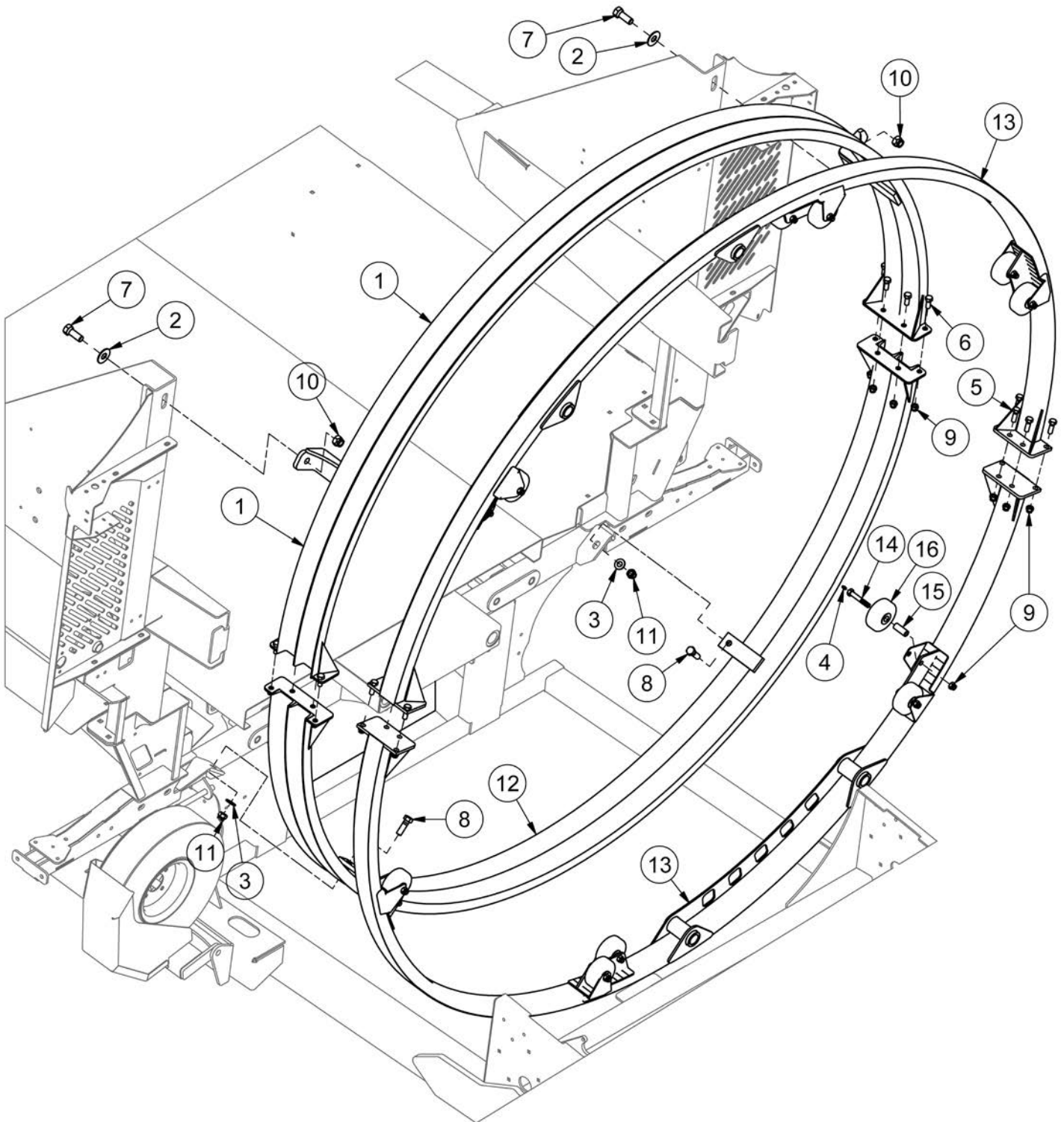
Table of Contents

Parts Manual	I
Parts Manual Usage	I
Part Orders	I
Manuals	I
Serial Number	I
Inline Wrapper 3 Year Limited Warranty Statement (<i>Excludes Individual Wrapper</i>)	II
Section 1: Basic Parts	1-1
Hoop	1-2
Hoop Drive	1-4
Main Plastic Film Carrier	1-6
Offset Twin Wrap Carrier	1-8
Left Hoop Brace (Up to SN 2270L004)	1-10
Left Hoop Brace (SN 2270L005 to Current)	1-12
Right Hoop Brace (Up to SN 2270L004)	1-14
Right Hoop Brace (SN 2270L005 to Current)	1-16
Left Safety Guard	1-18
Maintenance Guard	1-20
Cylinder Supports	1-22
Front Corners	1-24
Side Rails	1-26
47330 - Complete Ram	1-28
Bale Deck	1-30
Bale Saddles	1-32
Steering	1-34
Roller Bed	1-36
Rear Axle	1-38
Parking Brake	1-40
Rear Light Brackets	1-42
TLMPO-70 - Dispatch Arm	1-44
Front Brake - (SN 2270L005 - Current)	1-46
Section 2: Engine	2-1
Engine - 20hp Honda	2-2
20hp Throttle Linkage	2-4
Section 3: Hydraulics	3-1
Hydraulic Layout - Front Circuits (Up to SN 2270L004)	3-1
Hydraulic Layout - Rear Circuits (Up to SN 2270L004)	3-4
Hydraulic Layout - Front Circuits (SN 2270L005 - Current)	3-5
Hydraulic Layout - Rear Circuits (SN 2270L005 - Current)	3-8
Hydraulic Oil Tank	3-9
Hydraulic Manifold Connections	3-11
Hydraulic Manifold	3-13
Hydraulic Oil Cooler	3-15
Section 4: Electrical	4-1
Control Panel	4-1
Battery	4-3

Section 5: Options	5-1
TLHPDD70 - Dual Power Drive	5-1
Dual Power Drive Bracket	5-3
TLGR70 - Optional Guide Rollers	5-5
TLNWLKLED - LED Night Light Kit	5-7
TLNWLK - Halogen Night Light Kit	5-9
TLGS - Laser Guidance System	5-11
TLPSSK - Plastic Sensor Shutdown Kit	5-13
TLRSSKX2HD(E) - Remote Control Kits	5-15
TLPSSKW - Plastic Sensor Shutdown Kit	5-17
TLOSG - Optional Safety Guard	5-19
47501 - Suspension Axle	5-21
Section 6: Decals	6-1
Safety Decals (Up to SN 2270L004)	6-1
Safety Decals (SN 2270L005 to Current)	6-3
Model Decals	6-5
Clearance Markers	6-7
Imperial Torque Value Chart	7-1
Metric Torque Value Chart	8-1

Section 1: Basic Parts

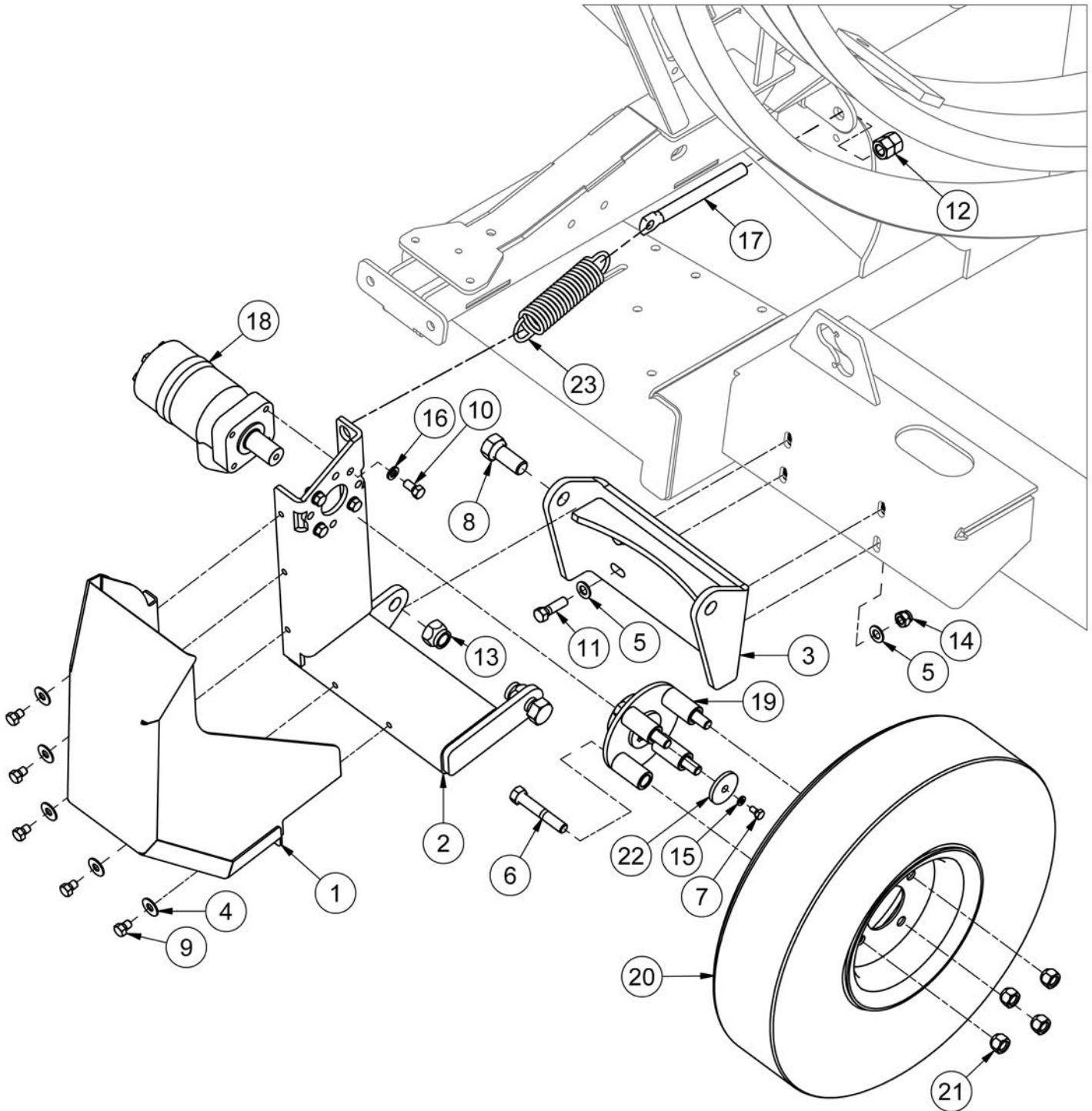
Hoop



Hoop

ITEM	QTY	PART NUMBER	DESCRIPTION
1	1	47096	Upper Inner Ring
2	2	FW 3/4	Flatwasher - 3/4" Zinc Plated USS
3	2	FW 5/8	Flatwasher - 5/8" Zinc Plated USS
4	12	GR 1/4 X 28	Grease Fitting 1/4-28 Straight Standard Zerk
5	8	HB 1/2-13X1.5 Z5	Hex Bolt 1/2-13x1 1/2 Grade 5 Zinc Plated Hex Cap Screw
6	8	HB 1/2-13X1.25 Z5	Hex Bolt 1/2-13x1 1/4 Grade 5 Zinc Plated Hex Cap Screw
7	2	HB 3/4-10X2 Z5	Hex Bolt 3/4-10x2 Grade 5 Zinc Plated Hex Cap Screw
8	2	HB 5/8-11X2 Z5	Hex Bolt 5/8-11x2 Grade 5 Zinc Plated Hex Cap Screw
9	28	LN 1/2 N	LN 1/2-13 Zinc Plated Nylon Insert Lock Nut
10	2	LN 3/4 N	LN 3/4-10 Zinc Plated Nylon Insert Lock Nut
11	2	LN 5/8 N	LN 5/8-11 Zinc Plated Nylon Insert Lock Nut
12	1	TL6X2-100-001	Lower Inner Ring
13	2	TL6X2-100-003	Outer Hoop
14	12	TL500-100-015	Hoop Wheel Axle Bolt
15	12	TL550-200-016	Spanner
16	12	TLWHEEL01	Hoop Wheel

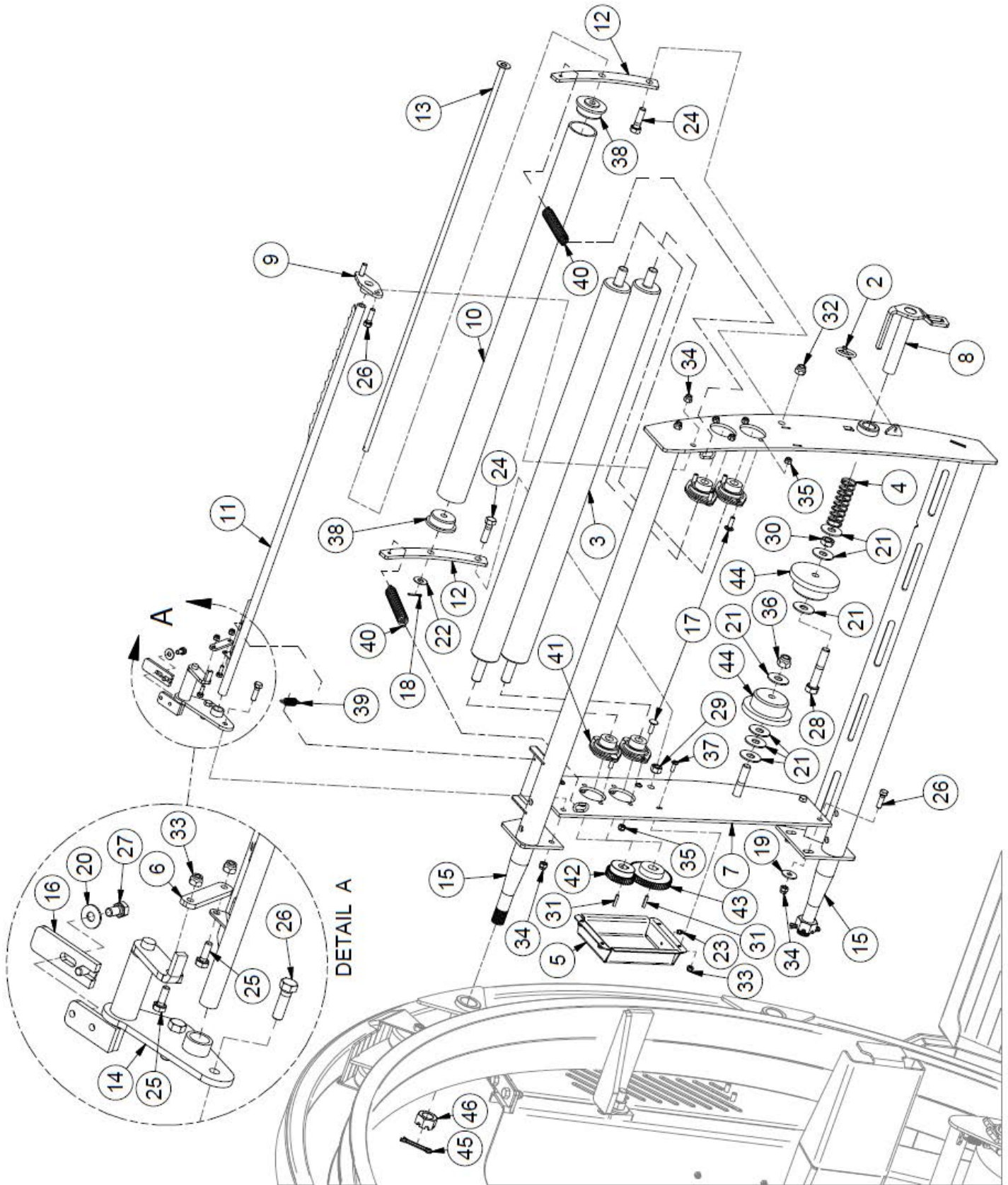
Hoop Drive



Hoop Drive

ITEM	QTY	PART NUMBER	DESCRIPTION	NOTE
1	1	41378	Hoop Wheel Guard	
2	1	47185	Hoop Wheel Mount	
3	1	47190	Hoop Drive Mount	
4	5	FW 3/8	Flatwasher - 3/8" Zinc Plated USS	
5	8	FW 7/16	Flatwasher - 7/16" Zinc Plated USS	
6	4	HB 1/2-13X3 Z5	Hex Bolt 1/2-13x3 Grade 5 Zinc Plated Hex Cap Screw	
7	1	HB 1/4-20X0.5 Z5	Hex Bolt 1/4-20x1/2 Grade 5 Zinc Plated Hex Cap Screw	
8	2	HB 3/4-10X1.75 Z5	Hex Bolt 3/4-10x1 3/4 Grade 5 Zinc Plated Hex Cap Screw	
9	5	HB 3/8-16X0.5 Z5	Hex Bolt 3/8-16x1/2 Grade 5 Zinc Plated Hex Cap Screw	
10	4	HB 3/8-16X0.75 Z5	Hex Bolt 3/8-16x3/4 Grade 5 Zinc Plated Hex Cap Screw	
11	4	HB 7/16-14X1.5 Z5	Hex Bolt 7/16-14x1 1/2 Grade 5 Zinc Plated Hex Cap Screw	
12	2	HN 5/8	Hex Nut 5/8"-11 Grade 5 Zinc Plated Finished	
13	2	LN 3/4 N	LN 3/4-10 Zinc Plated Nylon Insert Lock Nut	
14	4	LN 7/16 N	LN 7/16-14 Zinc Plated Nylon Insert Lock Nut	
15	1	LW 1/4	LW - 1/4" Zinc Plated Medium Split	
16	4	LW 3/8	LW - 3/8" Zinc Plated Medium Split	
17	1	PP00051	Flat Eyebolt - 5/8 X 7	
18	1	TL5X2-200-050	Hydraulic Motor	
19	1	TL500-100-051	Hoop Drive Wheel Hub	
20	1	TL500-100-052	Drive Wheel	5.70-8 Tire
21	4	TL500-100-054	Wheel Nut, 1/2"	
22	1	TL500-100-060	Power Drive Washer	
23	1	TL500-101-231	Wheel Tensioner Spring	

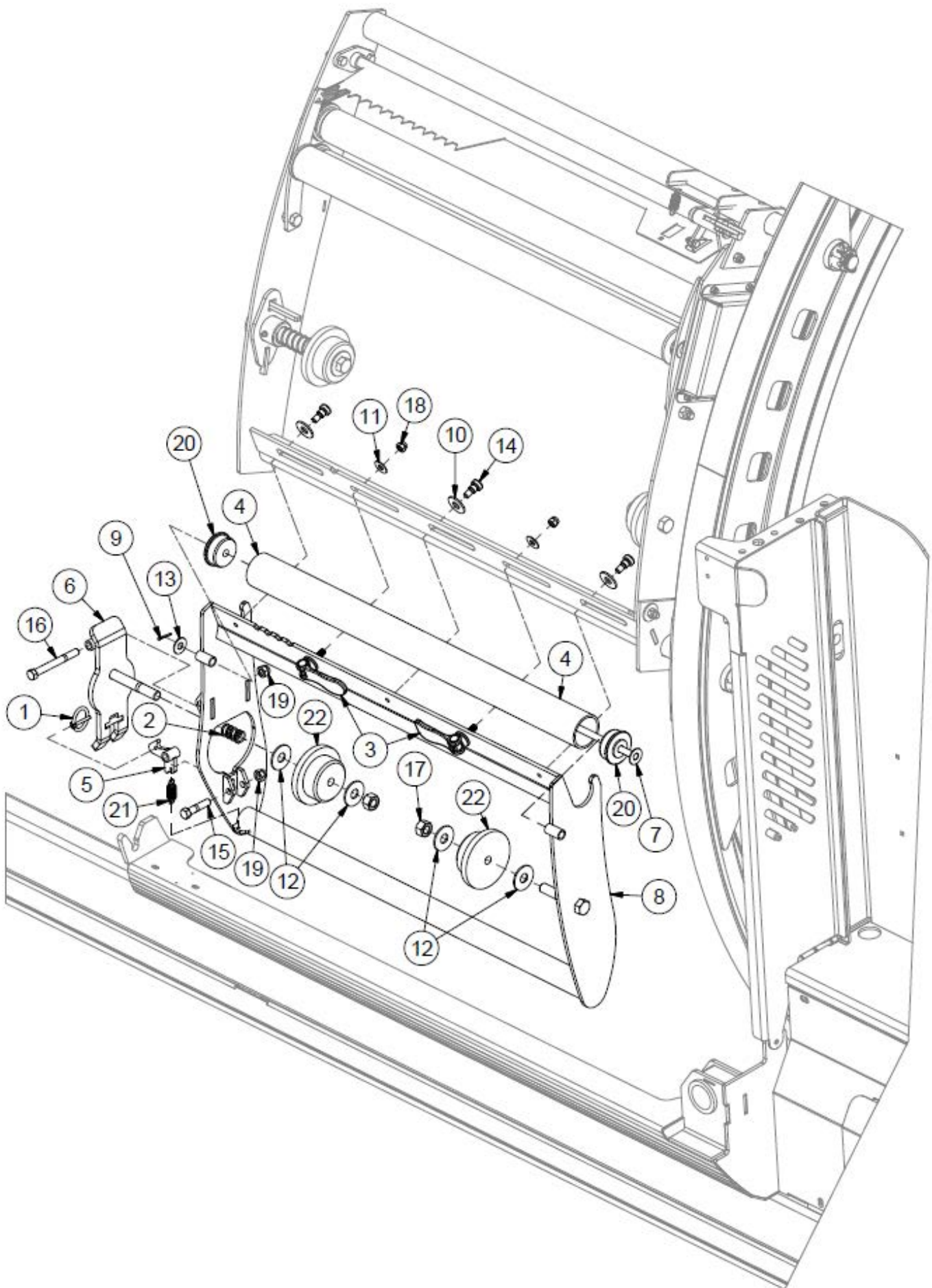
Main Plastic Film Carrier



Main Plastic Film Carrier

ITEM	QTY	PART NUMBER	DESCRIPTION	NOTE
1	2	44278	Offset Plastic Wrap Carrier	Items 2-44
2	1	25680	Linchpin 3/16 x 1.5"	
3	2	39916	Extended Tensioner Roller	
4	1	41888	Offset Tensioner Spring	
5	1	44284	Grease Box	
6	1	44285	Swivel Plate	
7	1	44286	Main Wrap Side Plate	
8	1	44287	Wrap Spool Slider Shaft	
9	1	44288	Pivot Support Bracket	
10	1	44289	Extended Plastic Roller	
11	1	44290	Wrap Cut	
12	2	44291	Plastic Roller Mount	
13	1	44292	Plastic Roller Pin	
14	1	44293	Wrap Cut Swivel Handle	
15	1	44294	Main Wrap Frame	
16	1	44400	Snap Adjuster Plate	
17	8	CB 5/16-18 X1 Z5	Carriage Bolt - 5/16-18 x 1" Grade 5 Zinc	
18	1	CP 18X1	Pin, Cotter 1/8 x 1.0	
19	2	FW 3/8	Flatwasher - 3/8" Zinc Plated USS	
20	2	FW 5/16	Flatwasher - 5/16" Zinc Plated USS	
21	7	FW 5/8	Flatwasher - 5/8" Zinc Plated USS	
22	1	FW 7/16	Flatwasher - 7/16" Zinc Plated USS	
23	2	GR 1/4 X 28	Grease Fitting 1/4-28 Strght-Standrd Zerk	
24	2	HB 1/2-13X1.75 Z5	Hex Bolt 1/2-13x1 3/4 Grade 5 Zinc Plated Hex Cap Screw	
25	2	HB 1/4-20X0.75 Z5	Hex Bolt 1/4-20x3/4 Grade 5 Zinc Plated Hex Cap Screw	
26	6	HB 3/8-16X1.25 Z5	Hex Bolt 3/8-16x1 1/4 Grade 5 Zinc Plated Hex Cap Screw	
27	2	HB 5/16-18X0.625 Z5	Hex Bolt 5/16-18x5/8 Grade 5 Zinc Plated Hex Cap Screw	
28	1	HB 5/8-11X3.5 Z5	Hex Bolt 5/8-11x3 1/2 Grade 5 Zinc Plated Hex Cap Screw	
29	2	HN 1/2	Hex Nut 1/2"-13 Grade 5 Zinc Plated Finished	
30	1	HN 5/8 JAM	Hex Nut - 5/8-11 Zinc Plated Hex Jam Nut	
31	2	KS44823	Keystock .188 X 1	
32	2	LN 1/2 N	LN 1/2-13 Zinc Plated Nylon Insert Lock Nut	
33	6	LN 1/4 N	LN 1/4-20 Zinc Plated Nylon Insert Lock Nut	
34	6	LN 3/8 N	LN 3/8-16 Zinc Plated Nylon Insert Lock Nut	
35	8	LN 5/16 N	LN 5/16-18 Zinc Plated Nylon Insert Lock Nut	
36	1	LN 5/8 N	LN 5/8-11 Zinc Plated Nylon Insert Lock Nut	
37	4	MS 1/4X20X0.75	Machine Screw - (Inch)	
38	2	TL500-100-021	HMWPVC - Plastic End Cap	
39	1	TL500-100-062	Extension Spring	
40	2	TL500-100-135	Spring - Tensioner	
41	4	TL550-100-007	Flange Bearing, 3/4" (2 Flanges & Bearing)	
42	1	TL550-100-008	Small Gear - 3/4 Bore, KW, SS, 14 1/2 deg, 2.25 P.D.	C/w 2 Set Screws
43	1	TL550-100-009	Large Gear - 3/4 Bore, KW, SS, 14 1/2 deg, 3.50 P.D.	C/w 2 Set Screws
44	2	TL550-200-012	Plastic Wrap Spool	
45	4	CP 1/4 x 2.0	Pin, Cotter - 1/4" x 2" Zinc Plated	
46	4	HN 1.0-14NFCastle	Hex Nut 1"-14 Slotted Plain Finish (NF Castle Nut Bare)	

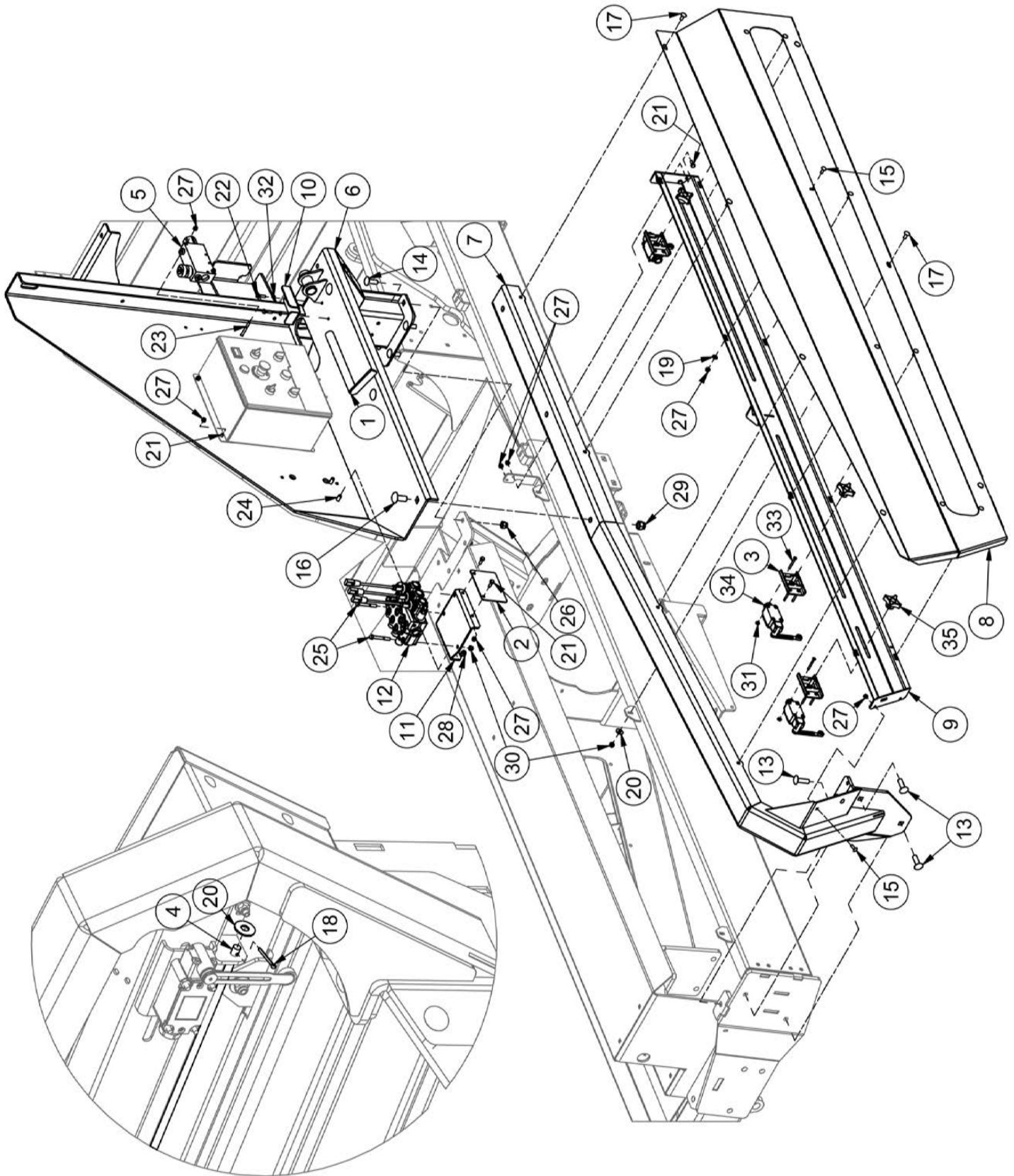
Offset Twin Wrap Carrier



Offset Twin Wrap Carrier

ITEM	QTY	PART NUMBER	DESCRIPTION	NOTE
	1	TLTWKOFF	Complete Offset Twin Wrap Kit	Inc. 2 of 44277
	2	44277	Offset Twin Wrap Assembly	Items 1-22 (Qty for 1 side only)
1	1	25680	Lynch Pin 3/16 X 1.5	
2	1	41916	Twin Wrap Spring	
3	2	41927	Cam Handle	
4	1	44279	Plastic Roller	
5	1	44280	Latch Hook	
6	1	44281	Spool Latch	
7	1	44282	Twin Wrap Roller Pin	
8	1	44283	Twin Wrap Frame	
9	1	CP 18X1	Pin, Cotter - 1/8" X 1.0"	
10	3	FW 1/2	Flatwasher - 1/2" Zinc Plated USS	
11	2	FW 3/8	Flatwasher - 3/8" Zinc Plated USS	
12	4	FW 5/8	Flatwasher - 5/8" Zinc Plated USS	
13	1	FW 7/16	Flatwasher - 7/16" Zinc Plated USS	
14	3	HB 1/2X3/8 SS	Socket Head Shoulder Screws - 1/2 Shldr x 3/8 x 3/8-16	
15	1	HB 7/16-14X2 Z5	Hex Bolt 7/16-14x2 Grade 5 Zinc Plated Hex Cap Screw	
16	1	HB 7/16-14X4 Z5	Hex Bolt 7/16-14x4 Grade 5 Zinc Plated Hex Cap Screw	
17	2	HN 5/8	Hex Nut 5/8"-11 Grade 5 Zinc Plated Finished	
18	2	LN 3/8 N	LN 3/8-16 Zinc Plated Nylon Insert Lock Nut	
19	2	LN 7/16 N	LN 7/16-14 Zinc Plated Nylon Insert Lock Nut	
20	2	TL500-100-021	Plastic Roller Cap	
21	1	TL500-100-062	Trigger Spring	
22	2	TL550-200-012	Plastic Wrap Spool	

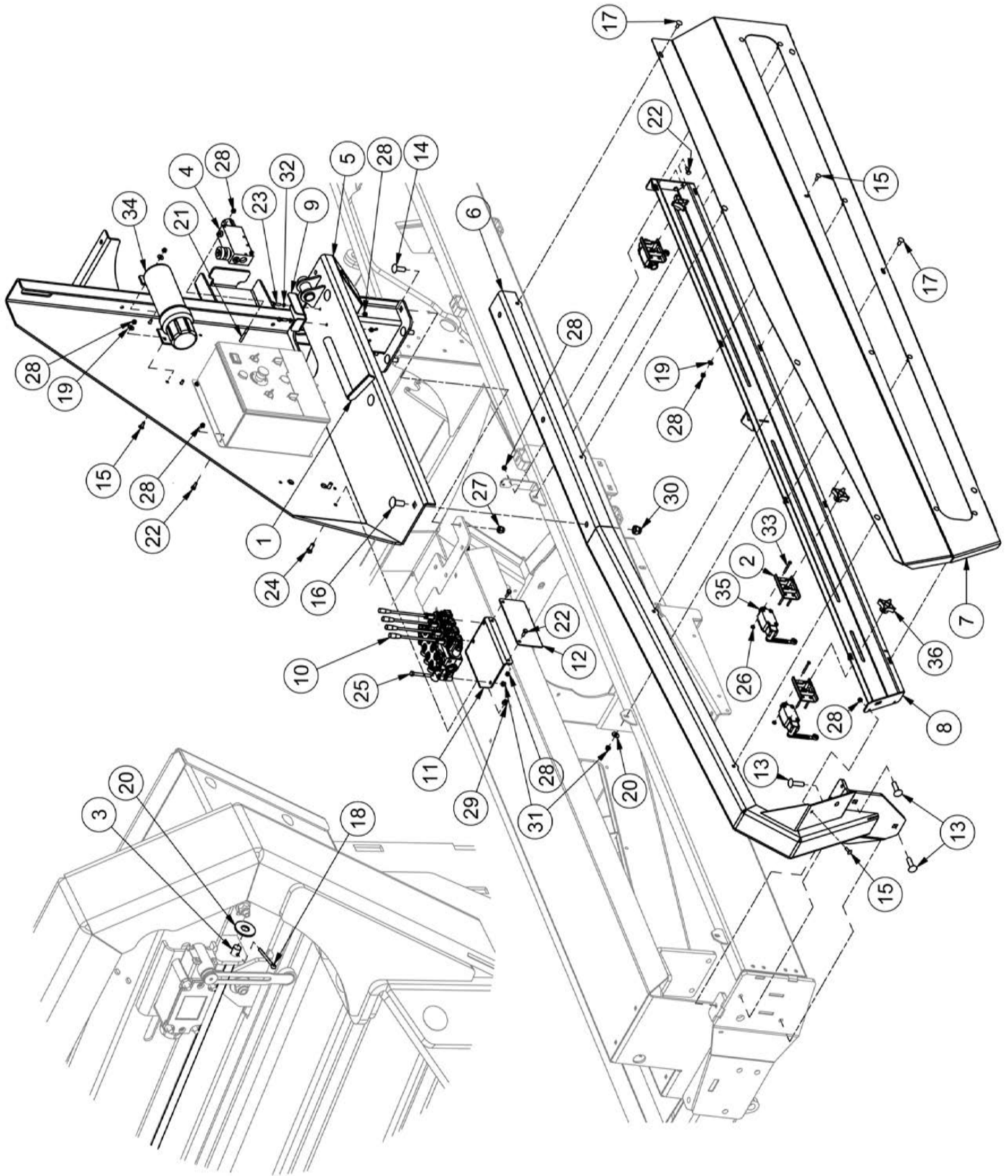
Left Hoop Brace (Up to SN 2270L004)



Left Hoop Brace (Up to SN 2270L004)

ITEM	QTY	PART NUMBER	DESCRIPTION
1	1	31794	Hoop Lock Pin
2	1	44266	Decal Plate
3	3	44355	Limit Switch Mount Bracket
4	1	44826	LSV Cable Slider
5	1	46214	Dial Flow Control (Pressure Compensated Valve)
6	1	47126	Left Hoop Brace
7	1	47156	Left Hoop Brace Support
8	1	47265	Left Side Shield
9	1	47268	Limit Switch Track
10	1	47284	Hoop Lock Bracket
11	1	47358	3 Spool Valve Mount
12	1	47359	3 Spool Valve- SD5
13	4	CB 1/2-13 X1.75 Z5	Carriage Bolt - 1/2-13 x 1 3/4" Grade 5 Zinc
14	4	CB 1/2-13 X1.375 Z5	Carriage Bolt - 1/2-13 x 1 3/8" Grade 5 Zinc
15	10	CB 1/4-20 X0.75 Z5	Carriage Bolt - 1/4-20 x 3/4" Grade 5 Zinc
16	3	CB 5/8-11 X1.5 Z5	Carriage Bolt - 5/8-11 x 1 1/2" Grade 5 Zinc
17	7	CB 5/16-18 X0.75 Z5	Carriage Bolt - 5/16-18 x 3/4" Grade 5 Zinc
18	1	CP 18X1	Pin, Cotter - 1/8" X 1.0"
19	8	FW 1/4	Flatwasher - 1/4" Zinc Plated USS
20	4	FW 5/16	Flatwasher - 5/16" Zinc Plated USS
21	10	HB 1/4-20X0.75 Z5	Hex Bolt 1/4-20x3/4 Gr. 5 Zinc Plated Hex Cap Screw
22	2	HB 1/4-20X1 Z5	Hex Bolt 1/4-20x1 Grade 5 Zinc Plated Hex Cap Screw
23	2	HB 1/4-20X2.5 Z5	Hex Bolt 1/4-20x2 1/2 Grade 5 Zinc Plated Hex Cap Screw
24	2	HB 3/8-16X1 Z5	Hex Bolt 3/8-16x1 Grade 5 Zinc Plated Hex Cap Screw
25	3	HB 5/16-18X2.5 Z5	Hex Bolt 5/16-18x2 1/2 Grade 5 Zinc Plated Hex Cap Screw
26	8	LN 1/2 N	LN 1/2-13 Zinc Plated Nylon Insert Lock Nut
27	22	LN 1/4 N	LN 1/4-20 Zinc Plated Nylon Insert Lock Nut
28	13	LN 3/8 N	LN 3/8-16 Zinc Plated Nylon Insert Lock Nut
29	3	LN 5/8 N	LN 5/8-11 Zinc Plated Nylon Insert Lock Nut
30	10	LN 5/16 N	LN 5/16-18 Zinc Plated Nylon Insert Lock Nut
31	12	LN 10-24	K-Lok Locknut
32	2	LW 1/4	LW - 1/4" Zinc Plated Medium Split
33	12	MS #10X32X1.75	Machine Screw - (Inch)
34	3	TL550-100-060	Limit Switch
35	3	TL599-100-104	Switch Adjuster Screw (4 Prong Knob)

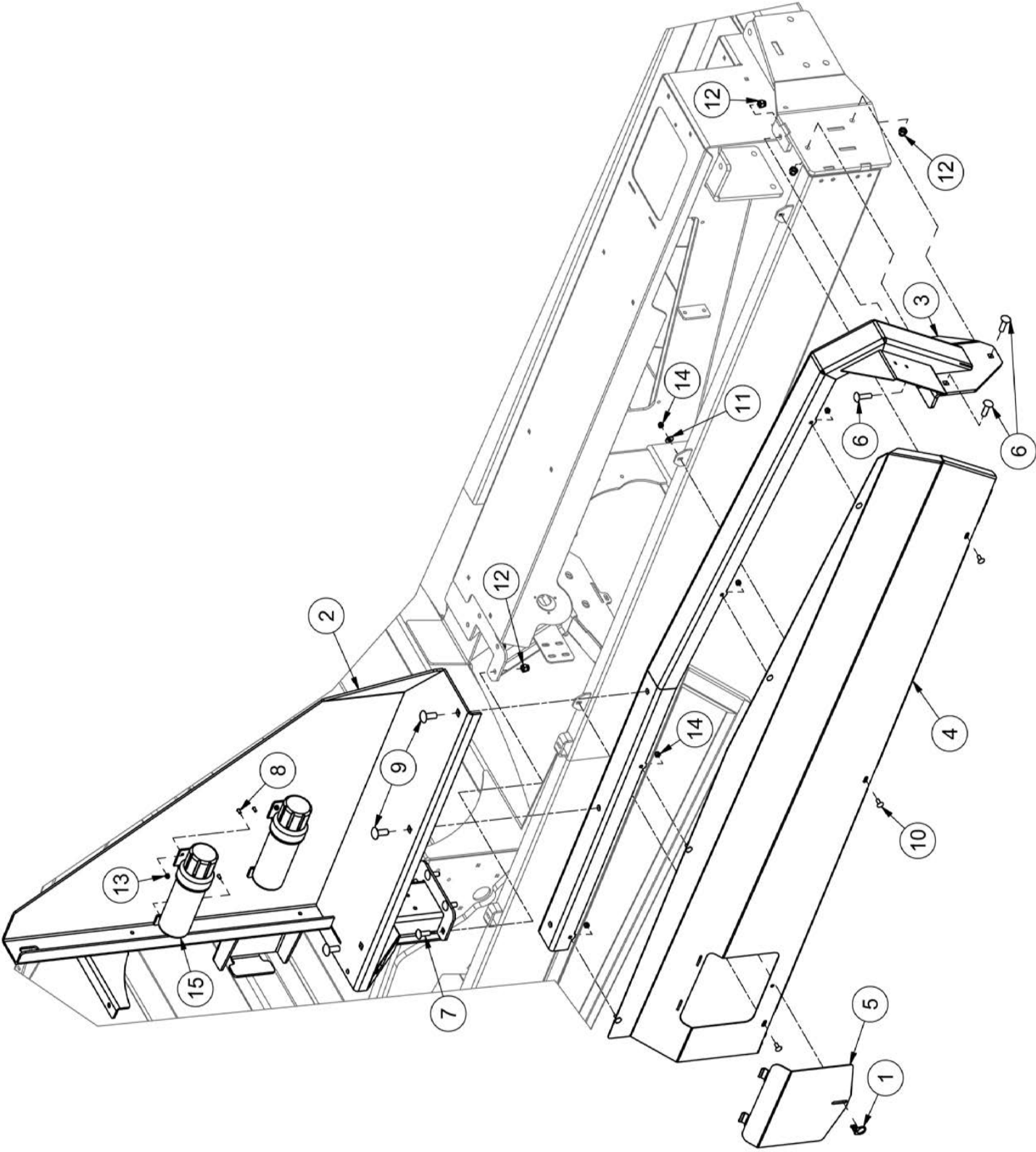
Left Hoop Brace (SN 2270L005 to Current)



Left Hoop Brace (SN 2270L005 to Current)

ITEM	QTY	PART NUMBER	DESCRIPTION
1	1	31794	Hoop Lock Pin
2	3	44355	Limit Switch Mount Bracket
3	1	44826	LSV Cable Slider
4	1	46214	Dial Flow Control (Pressure Compensated Valve)
5	1	47126	Left Hoop Brace
6	1	47156	Left Hoop Brace Support
7	1	47265	Left Side Shield
8	1	47268	Limit Switch Track
9	1	47284	Hoop Lock Bracket
10	1	49187	4 Spool Valve
11	1	49247	4 Spool Valve Mount
12	1	49248	4 Spool Valve Decal Plate
13	4	CB1/2-13X1.75CZ5	Carriage Bolt - 1/2-13 x 1 3/4" Grade 5 Zinc
14	4	CB1/2-13X1.375CZ5	Carriage Bolt - 1/2-13 x 1 3/8" Grade 5 Zinc
15	13	CB1/4-20X0.75CZ5	Carriage Bolt - 1/4-20 x 3/4" Grade 5 Zinc
16	3	CB5/8-11X1.5CZ5	Carriage Bolt - 5/8-11 x 1 1/2" Grade 5 Zinc
17	7	CB5/16-18X0.75CZ5	Carriage Bolt - 5/16-18 x 3/4" Grade 5 Zinc
18	1	CP 18X1	Pin, Cotter - 1/8" X 1.0"
19	11	FW 1/4	Flatwasher - 1/4" Zinc Plated USS
20	4	FW 5/16	Flatwasher - 5/16" Zinc Plated USS
21	2	HB 1/4-20X2.5 Z5	Hex Bolt 1/4-20x2 1/2 Grade 5 Zinc Plated Hex Cap Screw
22	10	HB1/4-20X0.75Z5	Hex Bolt 1/4-20x3/4 Gr. 5 Zinc Plated Hex Cap Screw
23	2	HB1/4-20X1Z5	Hex Bolt 1/4-20x1 Grade 5 Zinc Plated Hex Cap Screw
24	2	HB3/8-16X1Z5	Hex Bolt 3/8-16x1 Grade 5 Zinc Plated Hex Cap Screw
25	3	HB5/16-18X2.5Z5	Hex Bolt 5/16-18x2 1/2 Grade 5 Zinc Plated Hex Cap Screw
26	12	LN 10-24	K-Lok Locknut
27	8	LN1/2-13NCZ5	LN 1/2-13 Zinc Plated Nylon Insert Lock Nut
28	25	LN1/4-20NCZ5	LN 1/4-20 Zinc Plated Nylon Insert Lock Nut
29	5	LN3/8-16NCZ5	LN 3/8-16 Zinc Plated Nylon Insert Lock Nut
30	3	LN5/8-11NCZ5	LN 5/8-11 Zinc Plated Nylon Insert Lock Nut
31	10	LN5/16-18NCZ5	LN 5/16-18 Zinc Plated Nylon Insert Lock Nut
32	2	LW 1/4	LW - 1/4" Zinc Plated Medium Split
33	12	MS #10X32X1.75	Machine Screw - (Inch)
34	1	TL5X2-201-111	Operator's Manual Holder
35	3	TL550-100-060	Limit Switch
36	3	TL599-100-104	Switch Adjuster Screw (4 Prong Knob)

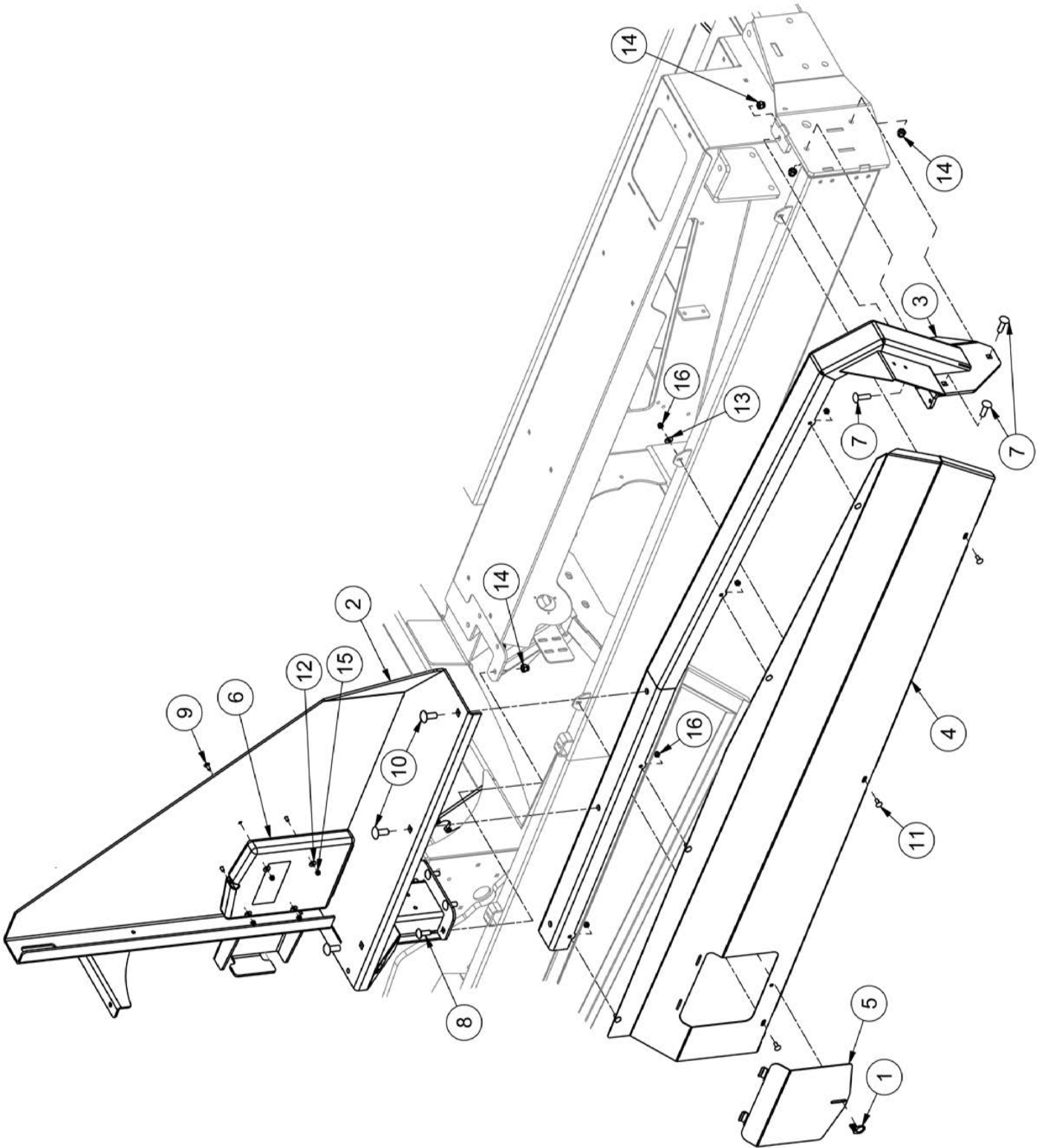
Right Hoop Brace (Up to SN 2270L004)



Right Hoop Brace (Up to SN 2270L004)

ITEM	QTY	PART NUMBER	DESCRIPTION
1	1	36268	Cam Lock
2	1	47136	Right Hoop Brace
3	1	47161	Right Hoop Brace Support
4	1	47266	Right Side Shield
5	1	47267	Oil Fill Lid
6	4	CB 1/2-13 X1.75 Z5	Carriage Bolt - 1/2-13 x 1 3/4" Grade 5 Zinc
7	4	CB 1/2-13 X1.375 Z5	Carriage Bolt - 1/2-13 x 1 3/8" Grade 5 Zinc
8	6	CB 1/4-20 X0.75 Z5	Carriage Bolt - 1/4-20 x 3/4" Grade 5 Zinc
9	3	CB 5/8-11 X1.5 Z5	Carriage Bolt - 5/8-11 x 1 1/2" Grade 5 Zinc
10	7	CB 5/16-18 X0.75 Z5	Carriage Bolt - 5/16-18 x 3/4" Grade 5 Zinc
11	3	FW 5/16	Flatwasher - 5/16" Zinc Plated USS
12	8	LN 1/2 N	LN 1/2-13 Zinc Plated Nylon Insert Lock Nut
13	7	LN 1/4 N	LN 1/4-20 Zinc Plated Nylon Insert Lock Nut
14	7	LN 5/16 N	LN 5/16-18 Zinc Plated Nylon Insert Lock Nut
15	2	TL5X2-201-111	Operator's Manual Holder

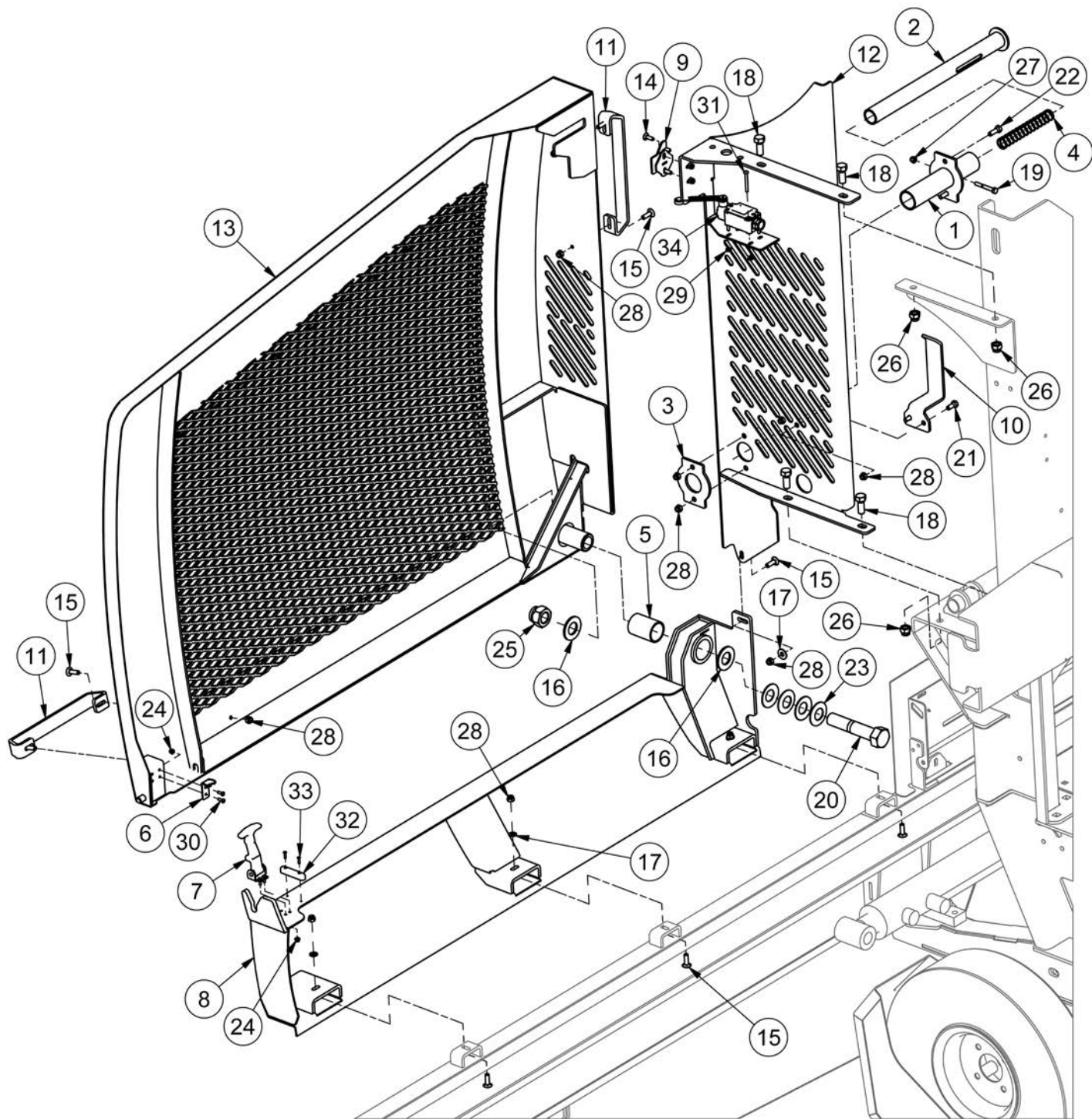
Right Hoop Brace (SN 2270L005 to Current)



Right Hoop Brace (SN 2270L005 to Current)

ITEM	QTY	PART NUMBER	DESCRIPTION
1	1	36268	Cam Lock
2	1	47136	Right Hoop Brace
3	1	47161	Right Hoop Brace Support
4	1	47266	Right Side Shield
5	1	47267	Oil Fill Lid
6	1	48199	Manual Case Holder
7	4	CB1/2-13X1.75CZ5	Carriage Bolt - 1/2-13 x 1 3/4" Grade 5 Zinc
8	4	CB1/2-13X1.375CZ5	Carriage Bolt - 1/2-13 x 1 3/8" Grade 5 Zinc
9	4	CB1/4-20X0.75CZ5	Carriage Bolt - 1/4-20 x 3/4" Grade 5 Zinc
10	3	CB5/8-11X1.5CZ5	Carriage Bolt - 5/8-11 x 1 1/2" Grade 5 Zinc
11	7	CB5/16-18X0.75CZ5	Carriage Bolt - 5/16-18 x 3/4" Grade 5 Zinc
12	4	FW 1/4	Flatwasher - 1/4" Zinc Plated USS
13	3	FW 5/16	Flatwasher - 5/16" Zinc Plated USS
14	8	LN1/2-13NCZ5	LN 1/2-13 Zinc Plated Nylon Insert Lock Nut
15	5	LN1/4-20NCZ5	LN 1/4-20 Zinc Plated Nylon Insert Lock Nut
16	7	LN5/16-18NCZ5	LN 5/16-18 Zinc Plated Nylon Insert Lock Nut

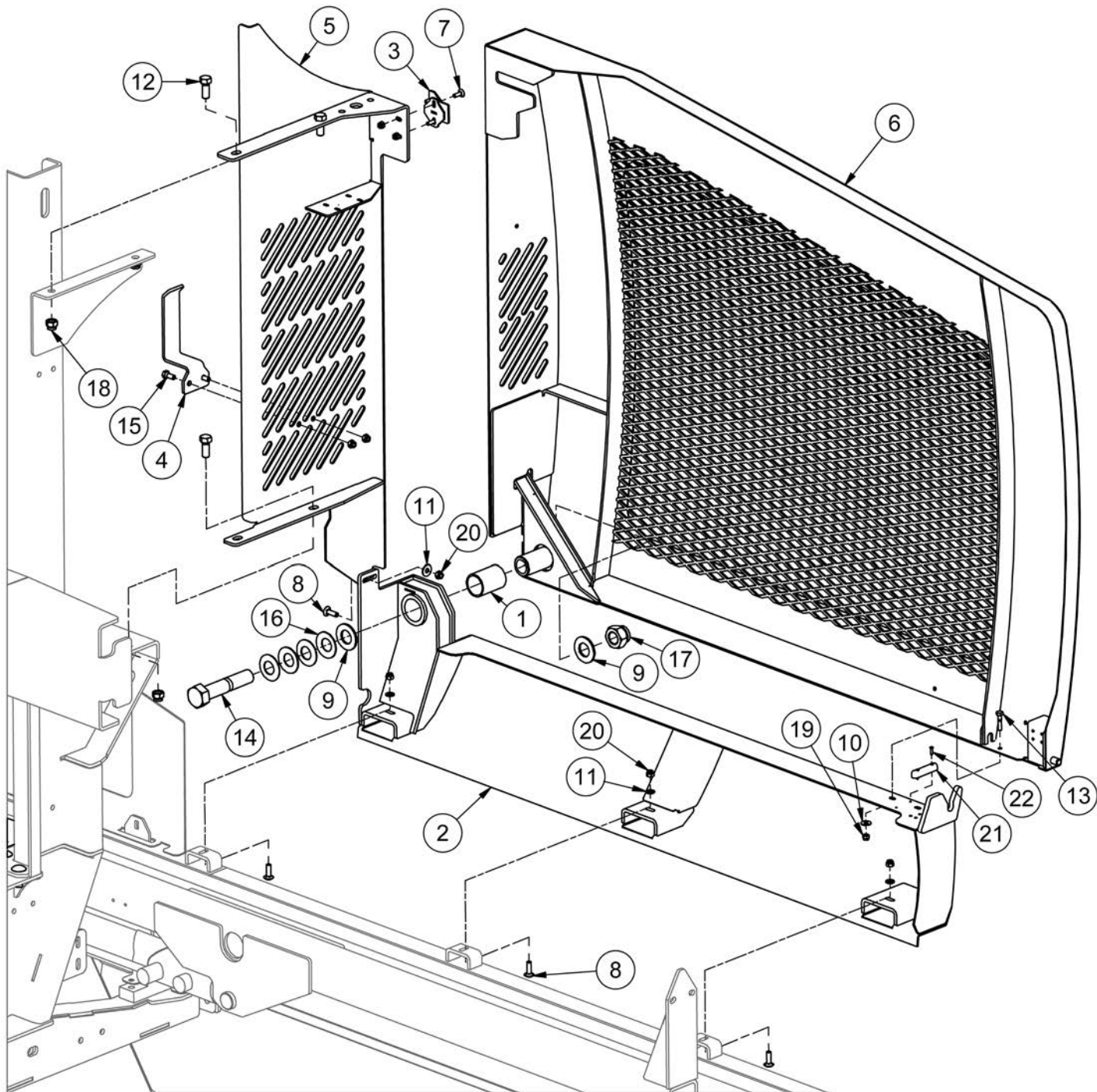
Left Safety Guard



Left Safety Guard

ITEM	QTY	PART NUMBER	DESCRIPTION
1	1	33352	Wrap Cut Tube Support
2	1	33355	Cut Push Tube
3	1	36629	Pipe Support
4	1	36900	Film Snap Spring
5	1	37845	Polygon 1.75 OD x1.52 ID x2.38 LG
6	1	38343	Battery Latch
7	1	38610	Rubber Battery Latch
8	1	41692	Left Bottom Door Mount
9	1	43266	Door Hold
10	1	44359	Single Tape Holder
11	2	44858	Door Handle
12	1	47244	Left Door Mount
13	1	47252	Left Door
14	2	CB 1/4-20 X0.75 Z5	Carriage Bolt - 1/4-20 x 3/4" Grade 5 Zinc
15	8	CB 5/16-18 X1 Z5	Carriage Bolt - 5/16-18 x 1" Grade 5 Zinc
16	2	FW 1.0	Flatwasher - 1" Zinc Plated USS
17	5	FW 5/16	Flatwasher - 5/16" Zinc Plated USS
18	4	HB 1/2-13X1.25 Z5	Hex Bolt 1/2-13x1 1/4 Grade 5 Zinc Plated Hex Cap Screw
19	1	HB 1/4-20X2 Z5	Hex Bolt 1/4-20x2 Grade 5 Zinc Plated Hex Cap Screw
20	1	HB 1-8X5 Z5	Hex Bolt 1-8x5 Grade 5 Zinc Plated Hex Cap Screw
21	2	HB 5/16-18X0.75 Z5	Hex Bolt 5/16-18x3/4 Grade 5 Zinc Plated Hex Cap Screw
22	2	HB 5/16-18X1 Z5	Hex Bolt 5/16-18x1 Grade 5 Zinc Plated Hex Cap Screw
23	4	LA-BK-43	2" OD 1" ID H Steel Disc Spring Washer
24	5	LN #8 N	LN 3/16-32 Zinc Plated Nylon Insert Lock Nut
25	1	LN 1 N	LN 1-8 Zinc Plated Nylon Insert Lock Nut
26	4	LN 1/2 N	LN 1/2-13 Zinc Plated Nylon Insert Lock Nut
27	3	LN 1/4 N	LN 1/4-20 Zinc Plated Nylon Insert Lock Nut
28	12	LN 5/16 N	LN 5/16-18 Zinc Plated Nylon Insert Lock Nut
29	4	LN 10-24	K-Lok Locknut
30	5	MS #8X32X0.5	Machine Screw - (Inch)
31	4	MS #10X24X1.75	Machine Screw - (Inch)
32	1	PP-00685	Rubber Stop
33	2	PP-00686	Wood Screw,#6 x5/8" Roberts end
34	1	TL550-100-060	Limit Switch

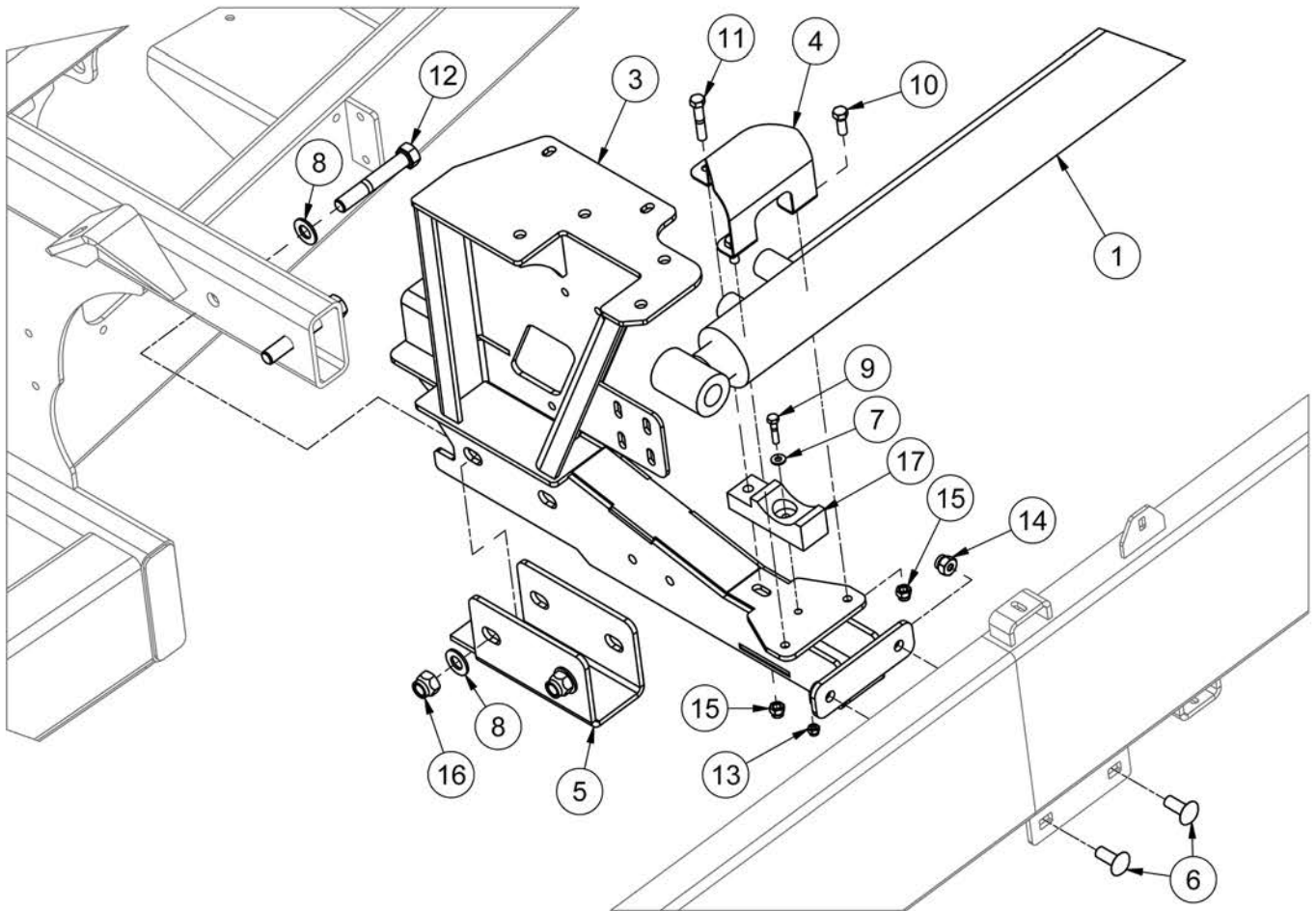
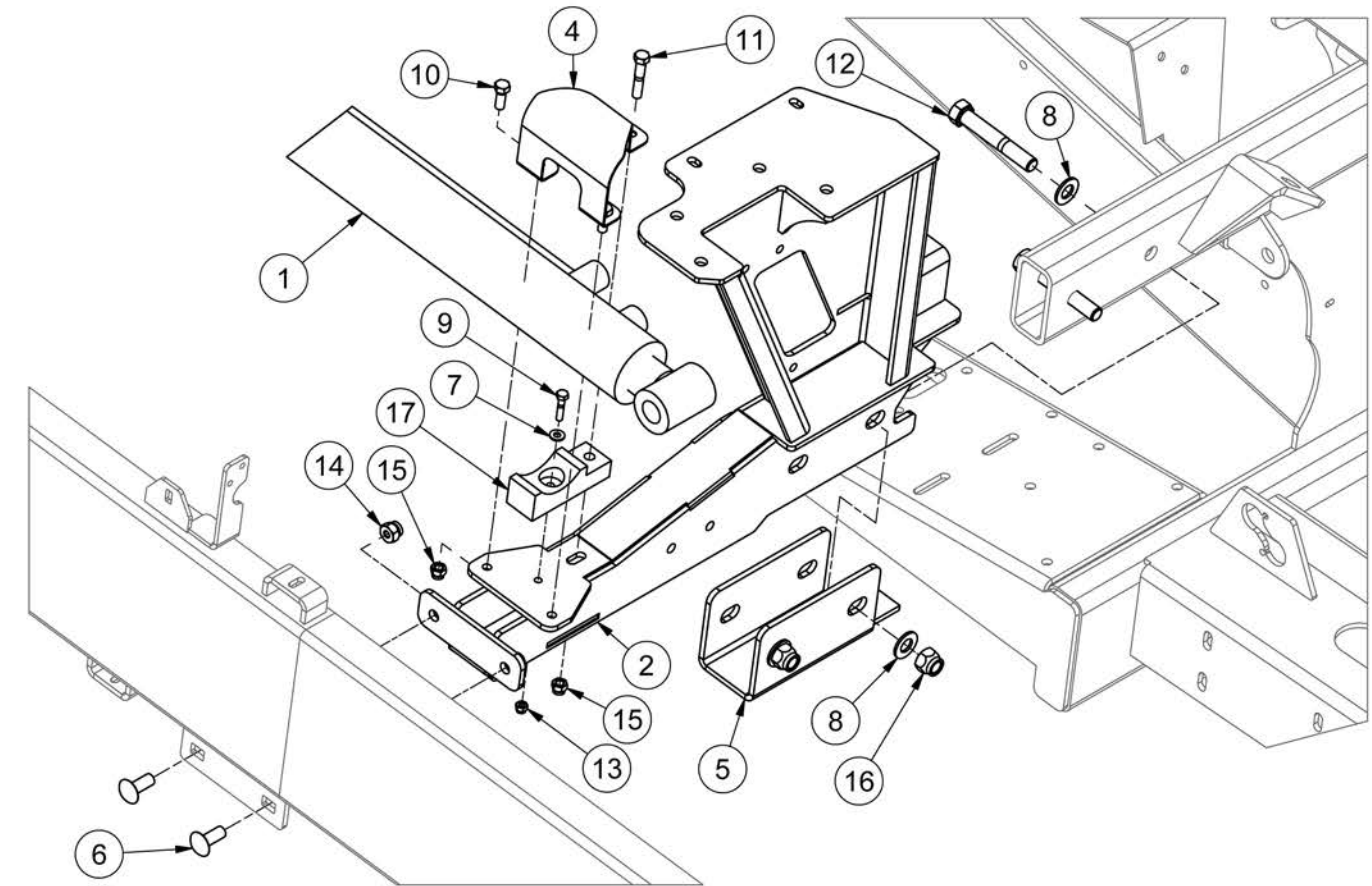
Maintenance Guard



Maintenance Guard

ITEM	QTY	PART NUMBER	DESCRIPTION
1	1	37845	Polygon 1.75 OD x1.52 ID x2.38 LG
2	1	43259	Right Bottom Door Mount
3	1	43266	Door Hold
4	1	44359	Single Tape Holder
5	1	47249	Right Door Mount
6	1	47255	Right Door
7	2	CB1/4-20X0.75CZ5	Carriage Bolt - 1/4-20 x 3/4" Grade 5 Zinc
8	4	CB5/16-18X1CZ5	Carriage Bolt - 5/16-18 x 1" Grade 5 Zinc
9	2	FW 1.0	Flatwasher - 1" Zinc Plated USS
10	1	FW 1/4	Flatwasher - 1/4" Zinc Plated USS
11	4	FW 5/16	Flatwasher - 5/16" Zinc Plated USS
12	4	HB1/2-13X1.25Z5	Hex Bolt 1/2-13x1 1/4 Grade 5 Zinc Plated Hex Cap Screw
13	1	HB1/4-20X1.25Z5	Hex Bolt 1/4-20x1 1/4 Grade 5 Zinc Plated Hex Cap Screw
14	1	HB1-8X5Z5	Hex Bolt 1-8x5 Grade 5 Zinc Plated Hex Cap Screw
15	2	HB5/16-18X0.75Z5	Hex Bolt 5/16-18x3/4 Grade 5 Zinc Plated Hex Cap Screw
16	4	LA-BK-43	2" OD 1" ID H Steel Disc Spring Washer
17	1	LN1-8NCZ5	LN 1-8 Zinc Plated Nylon Insert Lock Nut
18	8	LN1/2-13NCZ5	LN 1/2-13 Zinc Plated Nylon Insert Lock Nut
19	1	LN1/4-20NCZ5	LN 1/4-20 Zinc Plated Nylon Insert Lock Nut
20	6	LN5/16-18NCZ5	LN 5/16-18 Zinc Plated Nylon Insert Lock Nut
21	1	PP-00685	Rubber Stop
22	2	PP-00686	Wood Screw,#6 x5/8" Roberts end

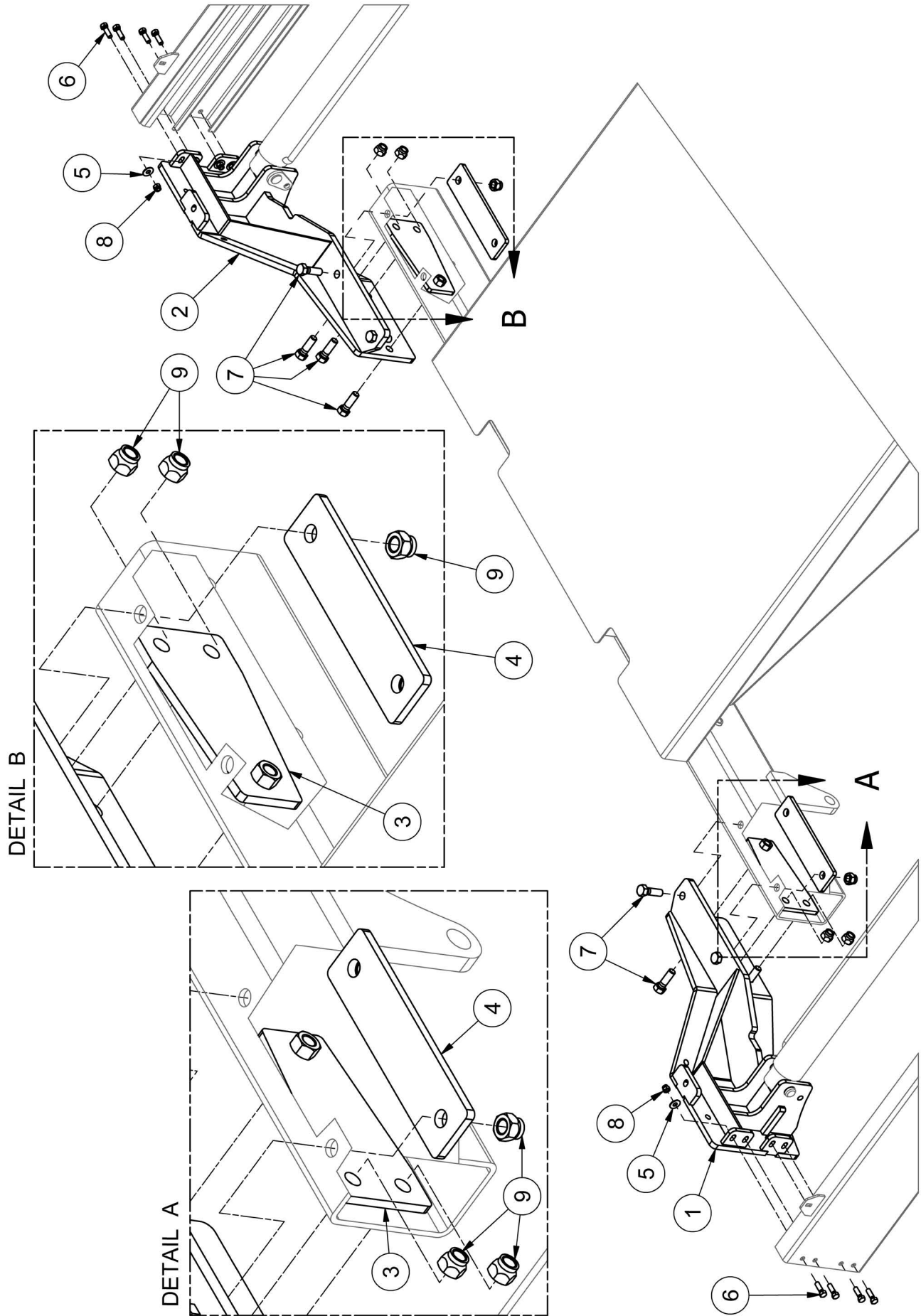
Cylinder Supports



Cylinder Supports

ITEM	QTY	PART NUMBER	DESCRIPTION	NOTE
1	2	40253	Ram Cylinder	
2	1	47142	Left Hoop Brace Post	Up to SN 2170L006 also req. Item 5
3	1	47151	Right Hoop Brace Post	Up to SN 2170L006 also req. Item 5
4	2	47283	Cylinder Tie Down	
5	2	48663	Door Mount Bracket	
6	4	CB1/2-13X1.25CZ5	Carriage Bolt - 1/2-13 x 1 1/4" Grade 5 Zinc	
7	2	FW 1/4	Flatwasher - 1/4" Zinc Plated USS	
8	8	FW 5/8	Flatwasher - 5/8" Zinc Plated USS	
9	2	HB1/4-20X1.25Z5	Hex Bolt 1/4-20x1 1/4 Grade 5 Zinc Plated Hex Cap Screw	
10	4	HB3/8-16X1Z5	Hex Bolt 3/8-16x1 Grade 5 Zinc Plated Hex Cap Screw	
11	2	HB3/8-16X2Z5	Hex Bolt 3/8-16x2 Grade 5 Zinc Plated Hex Cap Screw	
12	4	HB5/8-11X4Z5	Hex Bolt 5/8-11x4 Grade 5 Zinc Plated Hex Cap Screw	
13	2	LN1/4-20NCZ5	LN 1/4-20 Zinc Plated Nylon Insert Lock Nut	
14	4	LN1/2-13NCZ5	LN 1/2-13 Zinc Plated Nylon Insert Lock Nut	
15	6	LN3/8-16NCZ5	LN 3/8-16 Zinc Plated Nylon Insert Lock Nut	
16	5	LN5/8-11NCZ5	LN 5/8-11 Zinc Plated Nylon Insert Lock Nut	
17	2	TL550-200-109	Cylinder Support	

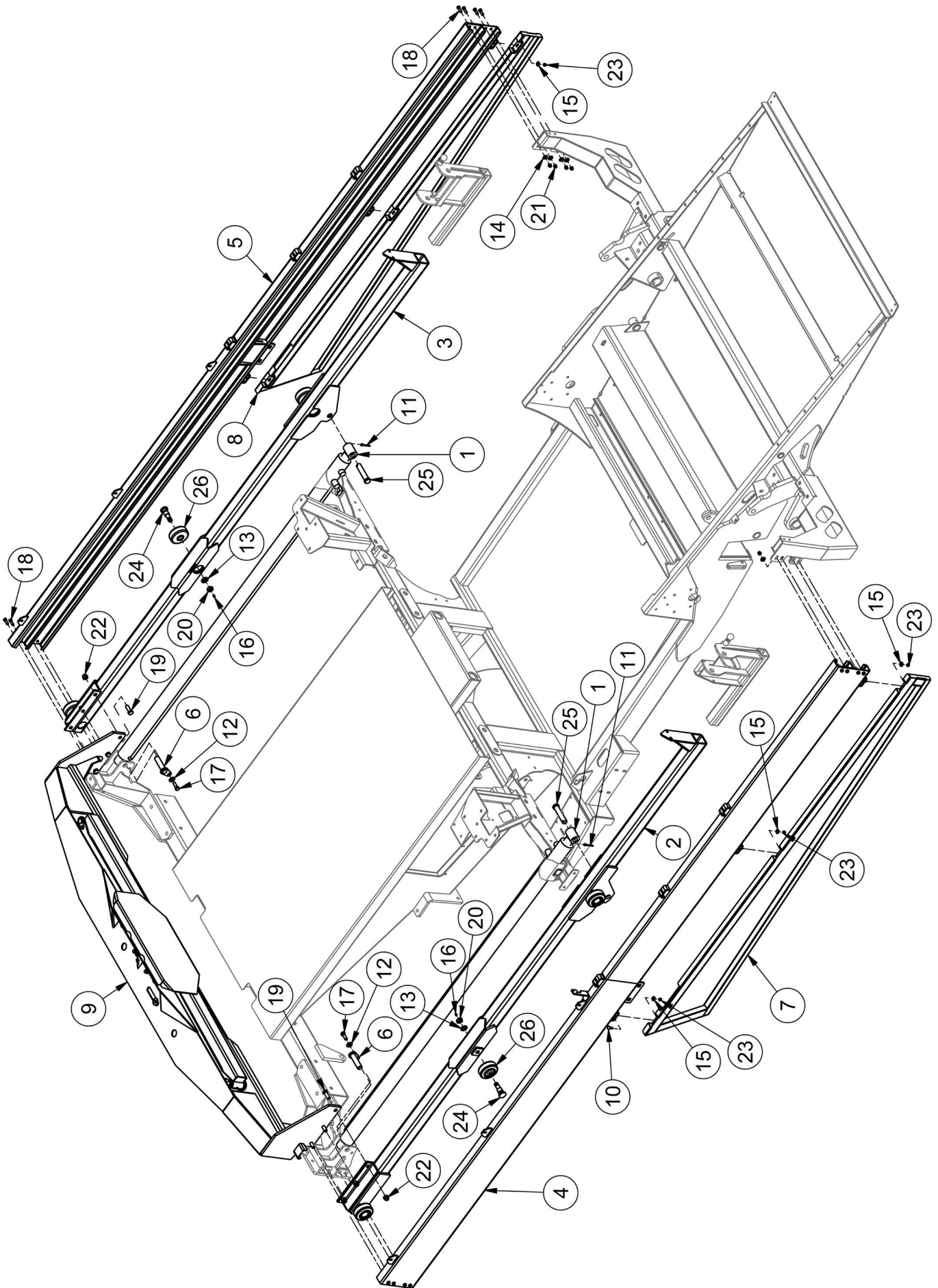
Front Corners



Front Corners

ITEM	QTY	PART NUMBER	DESCRIPTION
1	1	47102	Front Left Corner
2	1	47109	Front Right Corner
3	2	47223	Front Bolt-On
4	2	47225	Back Bolt-On
5	8	FW 3/8	Flatwasher - 3/8" Zinc Plated USS
6	8	HB 3/8-16X1.25 Z5	Hex Bolt 3/8-16x1 1/4 Grade 5 Zinc Plated Hex Cap Screw
7	10	HB 5/8-11X2 Z5	Hex Bolt 5/8-11x2 Grade 5 Zinc Plated Hex Cap Screw
8	8	LN 3/8 N	LN 3/8-16 Zinc Plated Nylon Insert Lock Nut
9	6	LN 5/8 N	LN 5/8-11 Zinc Plated Nylon Insert Lock Nut

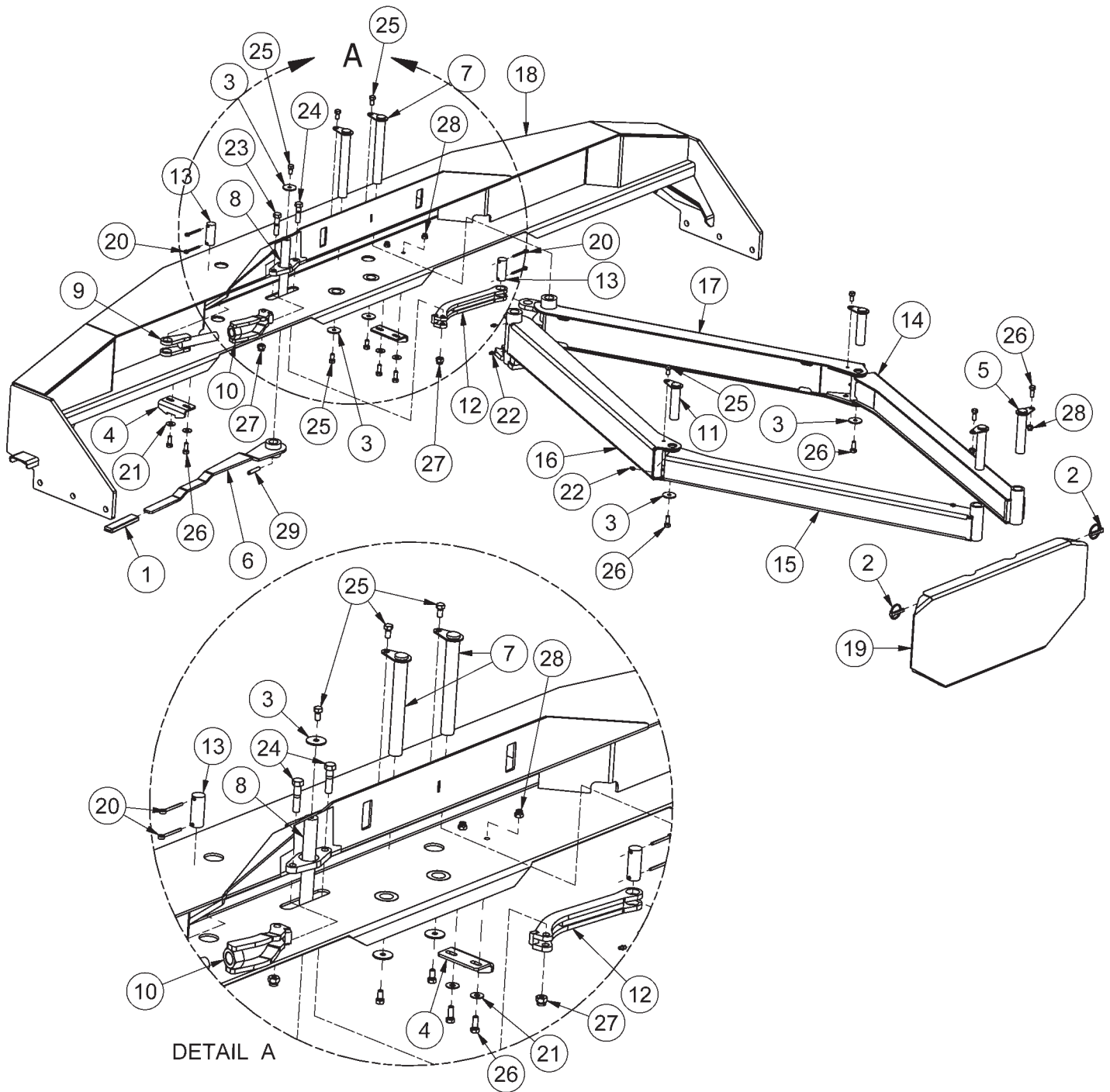
Side Rails



Side Rails

ITEM	QTY	PART NUMBER	DESCRIPTION
1	2	40253	Ram Cylinder
2	1	47115	Left Side Ram Tube
3	1	47125	Right Side Ram Tube
4	1	47172	Left Side Rail
5	1	47180	Right Side Rail
6	2	47230	Ram Cylinder Pin
7	1	47274	Back Left Side Shield
8	1	47279	Back Right Side Shield
9	1	47330	TL70 Complete Ram Asm
10	6	CB 5/16-18 X1 Z5	Carriage Bolt - 5/16-18 x 1" Grade 5 Zinc
11	2	CP.188 X 2	3-16 x 2.25 Cotter Pin, Brass
12	2	FW 1/2	Flatwasher - 1/2" Zinc Plated USS
13	6	FW 3/4	Flatwasher - 3/4" Zinc Plated USS
14	18	FW 3/8	Flatwasher - 3/8" Zinc Plated USS
15	6	FW 5/16	Flatwasher - 5/16" Zinc Plated USS
16	8	GR 1/4 X 28	Grease Fitting 1/4-28 Straight Standard Zerk
17	2	HB 1/2-13X1.5 Z5	Hex Bolt 1/2-13x1 1/2 Grade 5 Zinc Plated Hex Cap Screw
18	16	HB 3/8-16X1.25 Z5	Hex Bolt 3/8-16x1 1/4 Grade 5 Zinc Plated Hex Cap Screw
19	6	HB 5/8-18 X1.75 YZ8	Hex Bolt 5/8-18x1 3/4 Grade 8 Zinc Hex Cap Screw
20	6	HN 3/4 JAM	Hex Nut - 3/4-10 Zinc Plated Hex Jam Nut
21	20	LN 3/8 N	LN 3/8-16 Zinc Plated Nylon Insert Lock Nut
22	6	LN 5/8 F	Center Locknuts (5/8-18) 2-Way Fine Thread
23	6	LN 5/16 N	LN 5/16-18 Zinc Plated Nylon Insert Lock Nut
24	6	TL5X2-301-156	Ram Wheel Axle
25	2	TL550-100-042	Ram Cylinder Pin
26	6	TLWHEEL0205	Ram Rail Wheel

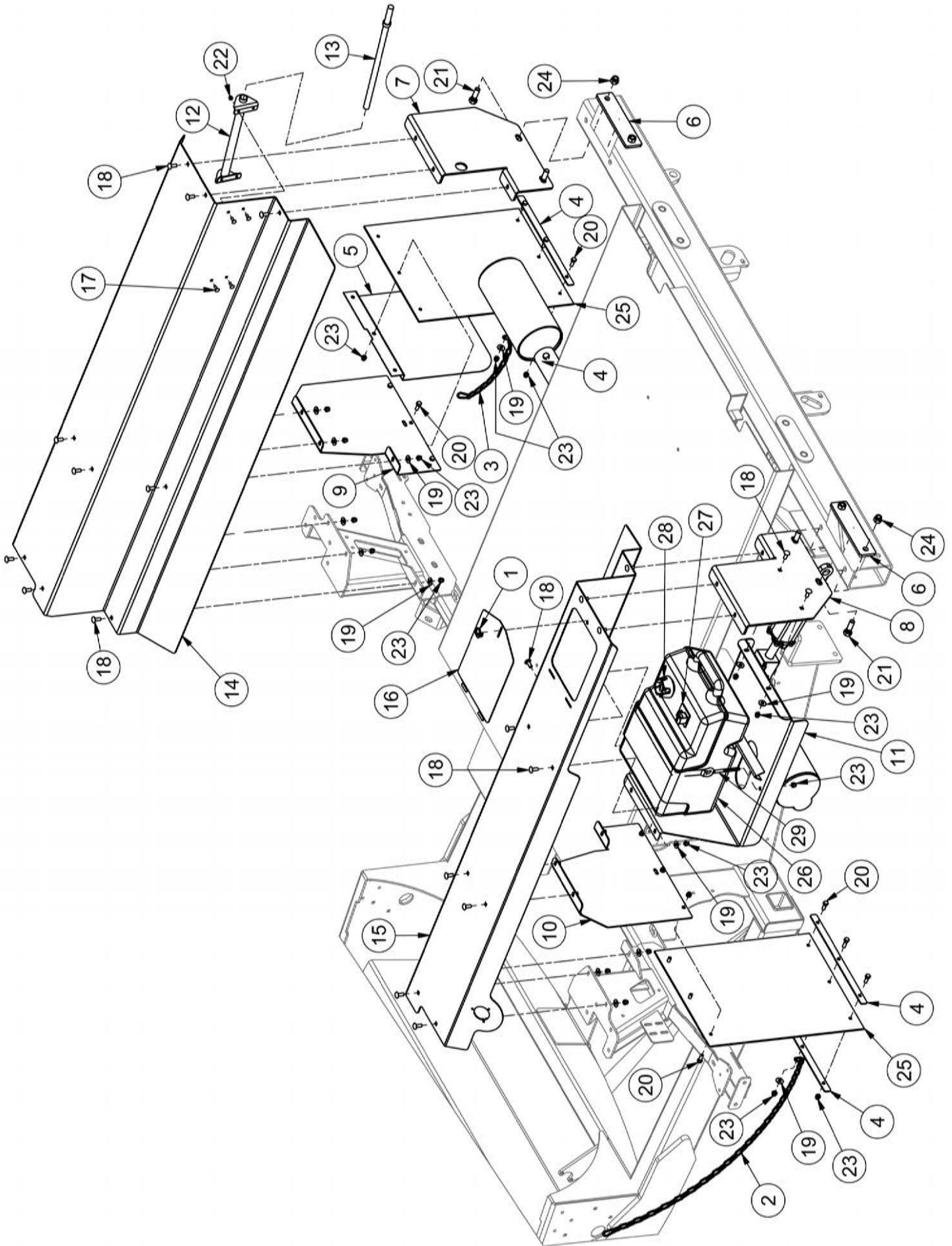
47330 - Complete Ram



47330 - Complete Ram

ITEM	QTY	PART NUMBER	DESCRIPTION	NOTE
1	1	22707	Rubber Handle for 3/8 X 1 Flat Bar	
2	2	28940	Lynch Pin - 3/8 X 1-3/4"	
3	5	30924	Pin Washer	
4	2	30958	Handle Holder	
5	2	30980	Last Pushoff Plate Pin	
6	1	30981	Last Pushoff Handle	
7	2	30982	Pushoff Middle Pin	
8	1	30983	Linkage Pivot	
9	1	30985	Linkage Adjuster	
10	1	30986	Pivot Adjuster	
11	2	30988	Arm Joint Pin	
12	1	30989	Solid Pivot Arm	
13	2	30993	Ram Linkage Mount Pin	
14	1	44112	Right Small Arm	30462 before SN 2170L022
15	1	44113	Left Small Arm	30457 before SN 2170L022
16	1	44116	Left Large Arm	30455 before SN 2170L022
17	1	44117	Right Large Arm	30456 before SN 2170L022
18	1	47099	TL70 Ram Base	
19	1	47334	Push Plate	
20	4	CP.188 X 2	3-16 x 2.25 Cotter Pin, Brass	
21	4	FW 3/8	Flatwasher - 3/8" Zinc Plated USS	
22	8	GR 1/4 X 28	Grease Fitting 1/4-28 Straight Standard Zerk	
23	1	HB1/2-13X2.25Z5	Hex Bolt 1/2-13x2 1/4 Grade 5 Zinc Plated Hex Cap Screw	
24	1	HB1/2-13X2Z5	Hex Bolt 1/2-13x2 Grade 5 Zinc Plated Hex Cap Screw	
25	7	HB3/8-16X0.75Z5	Hex Bolt 3/8-16x3/4 Grade 5 Zinc Plated Hex Cap Screw	
26	8	HB3/8-16X1Z5	Hex Bolt 3/8-16x1 Grade 5 Zinc Plated Hex Cap Screw	
27	2	LN1/2-13NCZ5	LN 1/2-13 Zinc Plated Nylon Insert Lock Nut	
28	6	LN3/8-16NCZ5	LN 3/8-16 Zinc Plated Nylon Insert Lock Nut	
29	1	RP 3/8 x 2	Pin - Roll Pin 3/8 x 2	

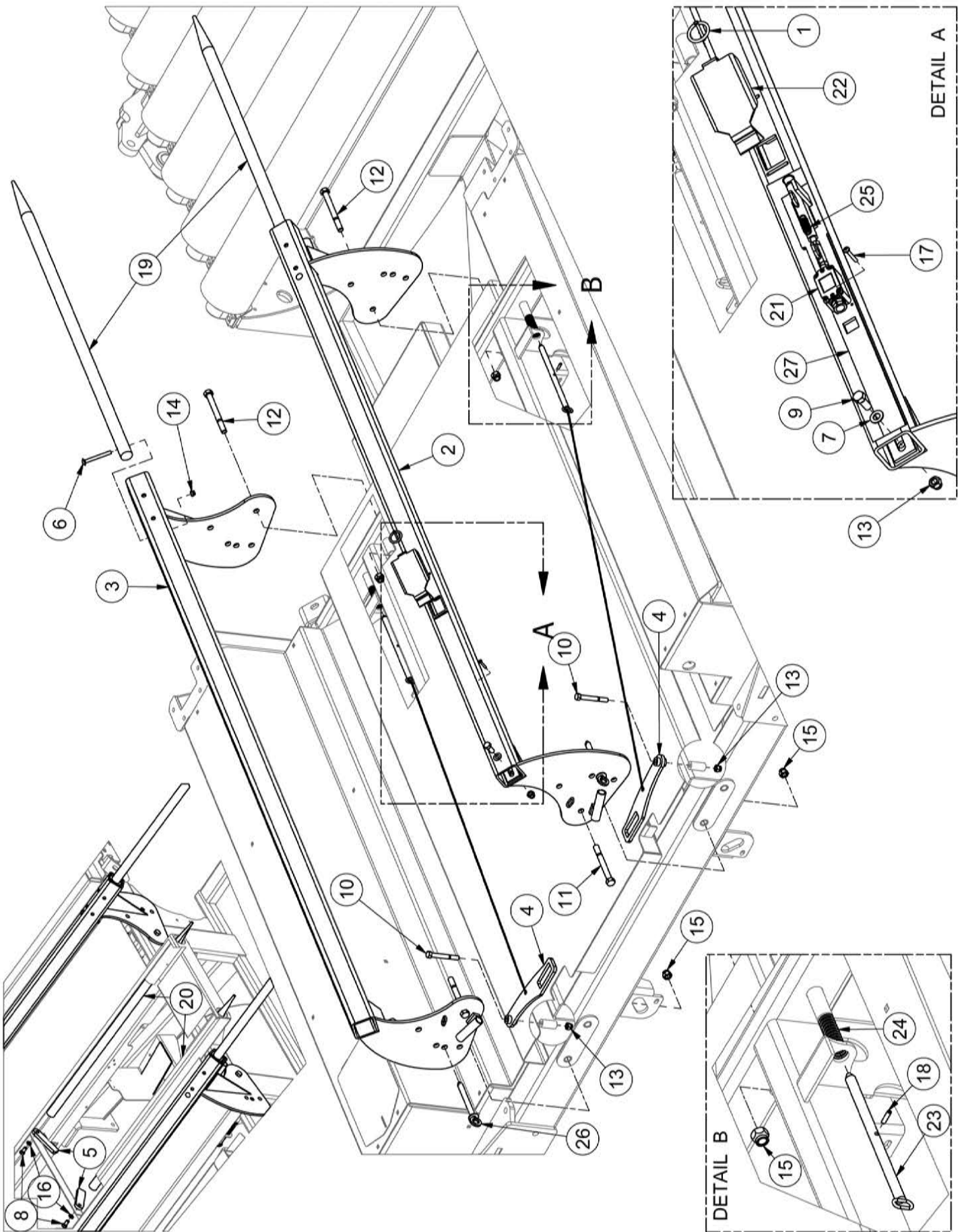
Bale Deck



Bale Deck

ITEM	QTY	PART NUMBER	DESCRIPTION
1	1	36268	Cam Lock
2	1	40958	Mud Flap Chain RH
3	1	40959	Mud Flap Chain LH
4	5	44232	Mud Flap Bracket
5	1	44234	Mud Flap Shield
6	2	47225	Back Bolt-On
7	1	47237	Left Fender Mount
8	1	47238	Right Fender Mount
9	1	47239	Left Mud Flap Bracket
10	1	47240	Right Mud Flap Bracket
11	1	47241	Gas Tank Mount
12	1	47257	Riser Handle Holder
13	1	47260	Saddle Adjust Handle
14	1	47262	Left Side Fender
15	1	47263	Right Side Fender
16	1	47264	Gas Fill Lid
17	4	CB1/4-20X0.75CZ5	Carriage Bolt - 1/4-20 x 3/4" Grade 5 Zinc
18	23	CB3/8-16X1CZ5	Carriage Bolt - 3/8-16 x 1" Grade 5 Zinc
19	25	FW 3/8	Flatwasher - 3/8" Zinc Plated USS
20	10	HB3/8-16X1Z5	Hex Bolt 3/8-16x1 Grade 5 Zinc Plated Hex Cap Screw
21	4	HB5/8-11X2Z5	Hex Bolt 5/8-11x2 Grade 5 Zinc Plated Hex Cap Screw
22	4	LN1/4-20NCZ5	LN 1/4-20 Zinc Plated Nylon Insert Lock Nut
23	37	LN3/8-16NCZ5	LN 3/8-16 Zinc Plated Nylon Insert Lock Nut
24	4	LN5/8-11NCZ5	LN 5/8-11 Zinc Plated Nylon Insert Lock Nut
25	2	TL500-100-163	Mud Flap
26	1	TL550-204-100	Fuel Tank
27	1	TL550-204-103	Fuel Gauge - Bale Wrapper
28	1	TL550-204-101	Fuel Tank Vented Cap
29	1	TL550-204-110	Tie Down Strap (Fuel Tank)

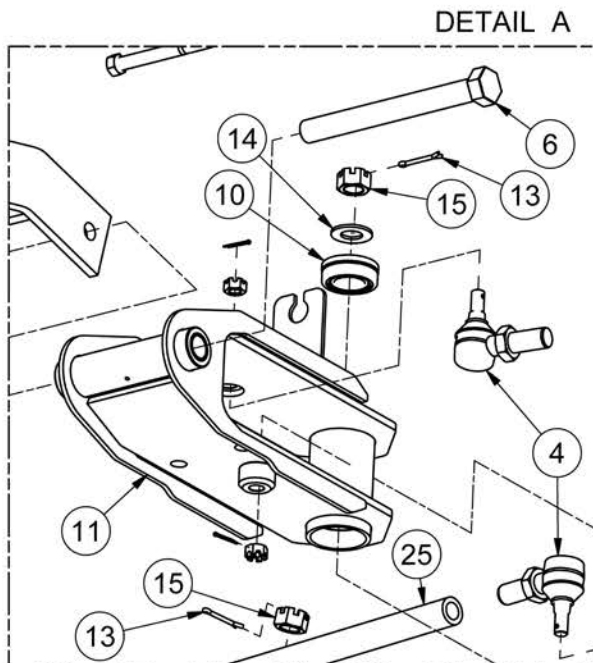
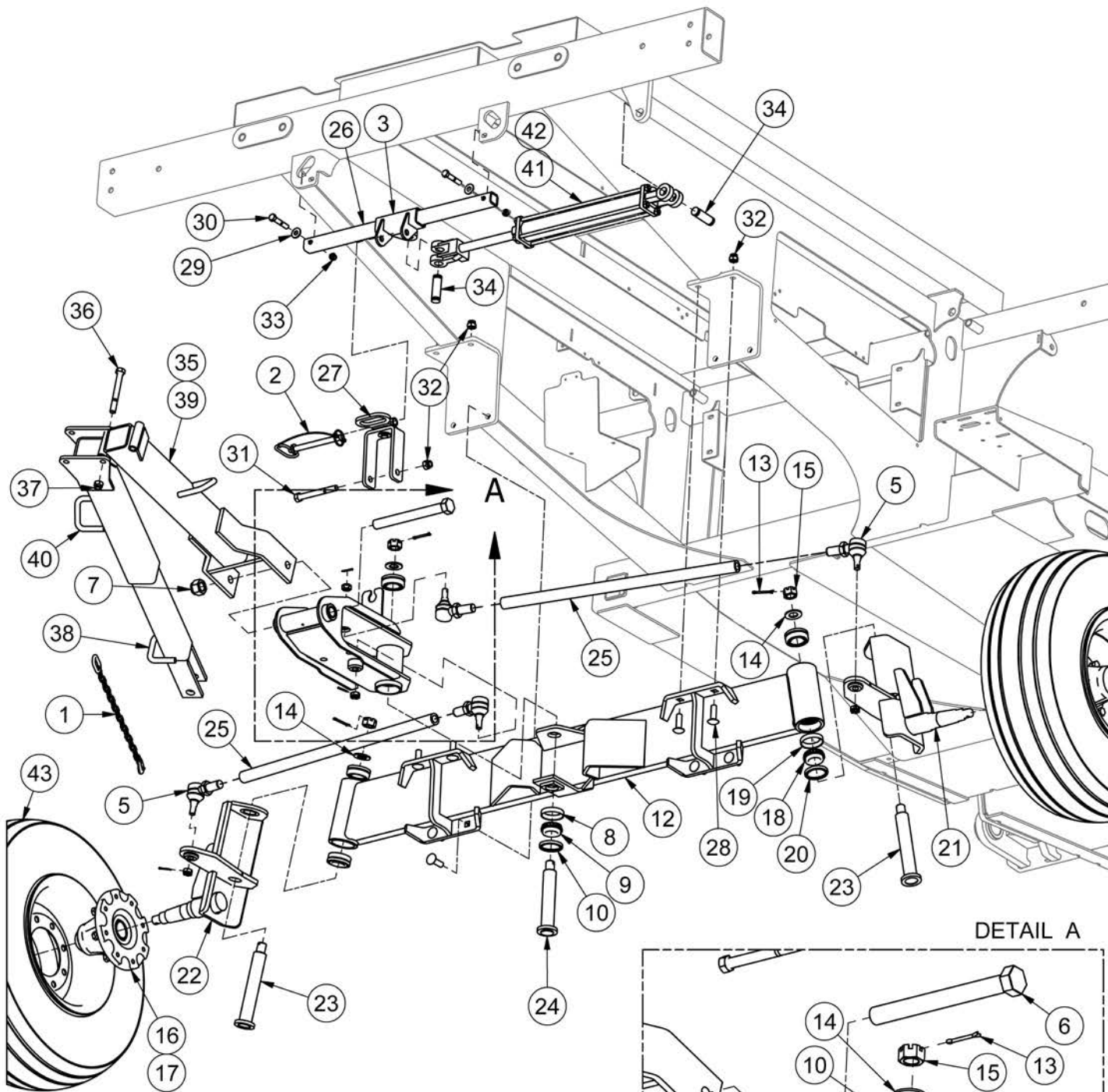
Bale Saddles



Bale Saddles

ITEM	QTY	PART NUMBER	DESCRIPTION
1	1	25680	Linch Pin 3/16 X 1.5
2	1	47112	Left Bale Saddle
3	1	47114	Right Bale Saddle
4	2	47227	Cable Handle
5	2	47236	Center Spear Handle
6	2	CB 3/8-16 X3.5 Z5	Carriage Bolt - 3/8-16 x 3 1/2" Grade 5 Zinc
7	1	FW 1/2	Flatwasher - 1/2" Zinc Plated USS
8	2	HB 1/2-13X1 Z5	Hex Bolt 1/2-13x1 Grade 5 Zinc Plated Hex Cap Screw
9	1	HB 1/2-13X1.25 Z5	Hex Bolt 1/2-13x1 1/4 Grade 5 Zinc Plated Hex Cap Screw
10	2	HB 1/2-13X4 Z5	Hex Bolt 1/2-13x4 Grade 5 Zinc Plated Hex Cap Screw
11	2	HB 5/8-11X6 Z5	Hex Bolt 5/8-11x6 Grade 5 Zinc Plated Hex Cap Screw
12	2	HB 5/8-11X6.5 Z5	Hex Bolt 5/8-11x6 1/2 Grade 5 Zinc Plated Hex Cap Screw
13	3	LN 1/2 N	LN 1/2-13 Zinc Plated Nylon Insert Lock Nut
14	5	LN 3/8 N	LN 3/8-16 Zinc Plated Nylon Insert Lock Nut
15	4	LN 5/8 N	LN 5/8-11 Zinc Plated Nylon Insert Lock Nut
16	2	LW 1/2	LW - 1/2" Zinc Plated Medium Split
17	4	MS #12X24X1.5	Machine Screw - (Inch)
18	2	RP 1/4 x 1	Pin - Roll Pin 1/4 x 1
19	2	T5502251	Bale Spear (Outside)
20	2	T6502119	Bale Spear (Inside)
21	1	TL5X2-100-221	Switch
22	1	TL5X2-301-142	Bale Trigger
23	2	TL6X2-101-147	Rear Saddle Pin
24	2	TL6X2-101-148	C2464-267-0889 Compression Spring
25	1	TL500-100-062	Extension Spring (Trigger)
26	2	TL550-200-104	Front Bale Saddle Pin
27	1	TL553900	Trigger Switch

Steering

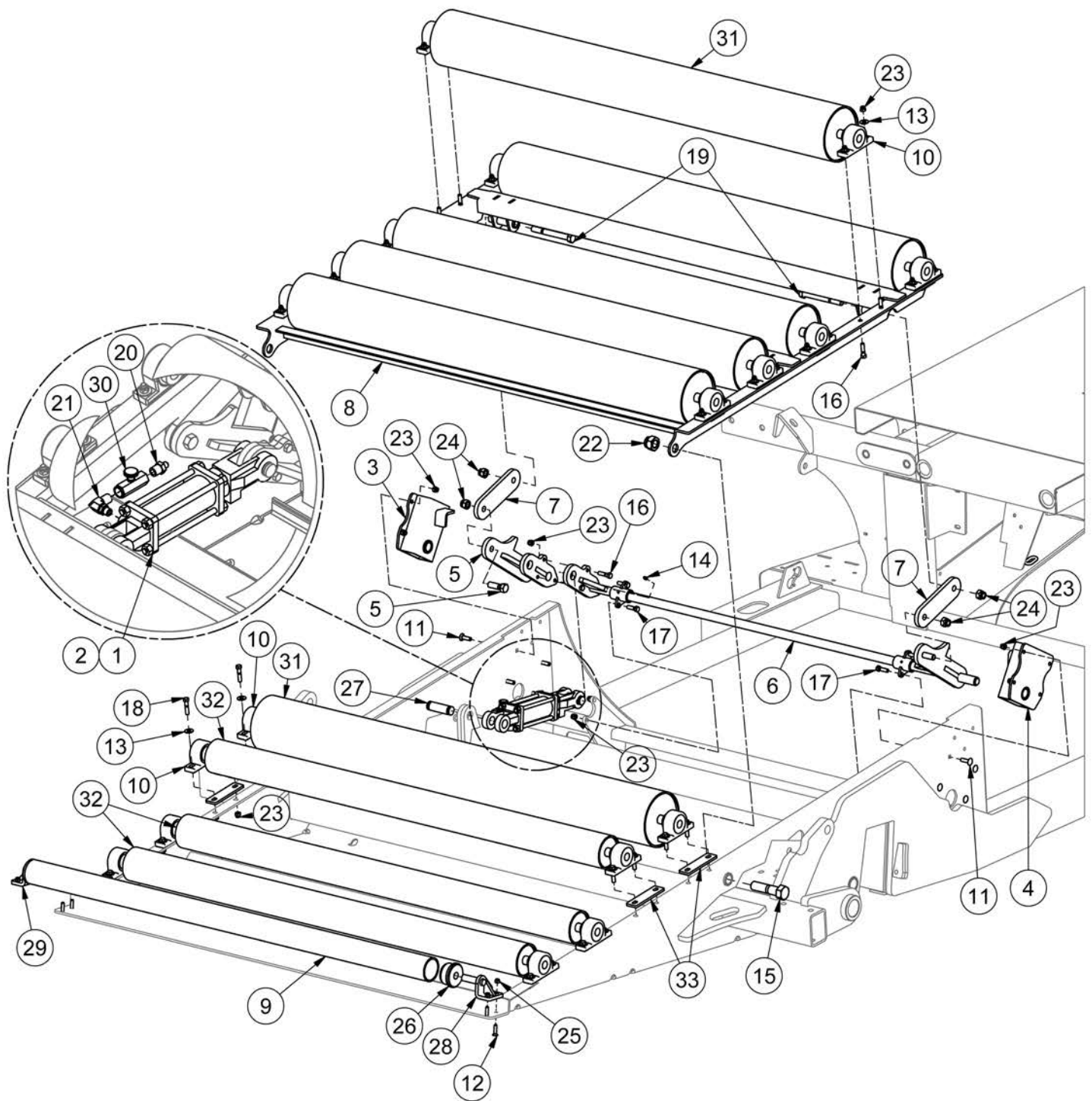


Steering

ITEM	QTY	PART NUMBER	DESCRIPTION
1	1	25261	Safety Chain 10000 # 59"
2	1	25522	Hitch Pin 5/8 X 6.5
3	1	44547	Steering Cylinder Mount
4	2	TL550-111-006	Tie Rod End RH Thread
5	2	TL550-111-007	Tie Rod End LH Thread
6	1	HB1.0-8X8.0CZ5	1"-8 x 8" Grade 5 Zinc Finish Hex Cap Screw
7	1	LN1-8TCZ5	1"-8 Grade 5 Zinc Finish Steel Top Lock Nut
8	2	TL550-111-009	Tongue Bracket Timkin Cup
9	2	TL550-111-010	Tongue Bracket Timkin Bearing
10	2	TL550-111-011	Tongue Bracket Seal
11	1	TL650-221-083	Tongue Bracket Assembly
12	1	47080	TL70 Front Axle
13	3	CP 3/16 X 2.0	Pin, Cotter - 3/16" X 2.0"
14	3	FW 1.0	Flatwasher - 1" Zinc Plated USS
15	3	HNC1.0-12FB5	1-12 Grade 5 Plain Castle Nut
16	2	HUB 6500	6500 Hub c/w Parts
17	2	HUB 6500-CCS	Complete Bearing and Seals for HUB6500
18	4	TL550-200-080	Spindle Bearing Timkin Cone
19	4	TL550-200-081	Spindle Bearing Timkin Cup
20	4	TL550-200-082	Spindle Bearing Seal
21	1	TL650-100-083	Left Side Spindle Assembly
22	1	TL650-100-084	Right Side Spindle Assembly
23	2	TL650-100-085	Spindle Pin
24	1	TL650-221-055	Tongue Bracket Pin
25	2	TL650-221-082	Tie Rod (32")
26	1	47183	Steering Tube
27	1	47184	TL70 Tongue Holder
28	8	CB 5/8-11 X2 Z5	Carriage Bolt - 5/8-11 x 2" Grade 5 Zinc
29	2	FW 1/2	Flatwasher - 1/2" Zinc Plated USS
30	2	HB 1/2-13X2.75 Z5	Hex Bolt 1/2-13x2 3/4 Grade 5 Zinc Plated Hex Cap Screw
31	1	HB 5/8-11X5.5 Z5	Hex Bolt 5/8-11x5 1/2 Grade 5 Zinc Plated Hex Cap Screw
32	9	LN 5/8 N	LN 5/8-11 Zinc Plated Nylon Insert Lock Nut
33	2	LN 7/16 N	LN 7/16-14 Zinc Plated Nylon Insert Lock Nut
34	2	TL5X2-500-116	Cylinder Pin
35	1	TL6X2-100-051	Tongue
36	1	HB 5/8-11X5.5 Z5	Hex Bolt 5/8-11x5 1/2 Grade 5 Zinc Plated Hex Cap Screw
37	1	LN 5/8 N	LN 5/8-11 Zinc Plated Nylon Insert Lock Nut
38	1	TL6X2-100-053	Sliding Tongue
39	1	TL6X2-101-051	Main Tongue
40	1	TL6X2-101-052	Swinging Tongue
41	1	TL500-100-103	Hydraulic Cylinder, 2 x 16
42	1	SK AGU201125-10	Seal Kit - 2" Kinacor Cylinder
43	2	WHE 12.5X15X12	12.5 x 15 12 Ply HS Includes Rim

*When ordering tie rod ends check if you need a left hand or right hand thread.
Tie rods require both a left and right hand thread.

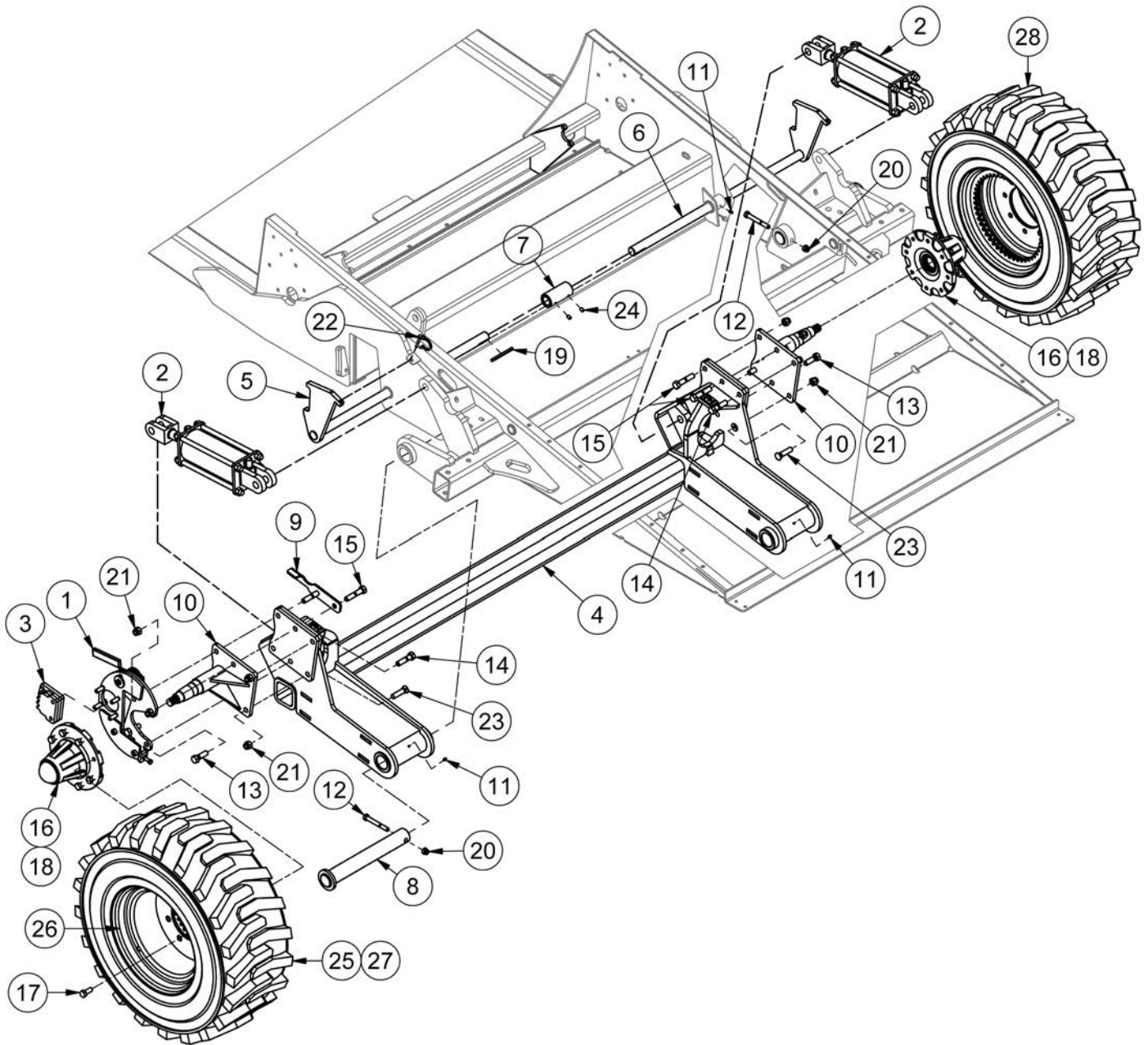
Roller Bed



Roller Bed

ITEM	QTY	PART NUMBER	DESCRIPTION
1	1	41800	Hydraulic Cylinder - 2" X 4"
2	1	SK AGU201125-10	Seal Kit - 2" Kinacor Cylinder
3	1	47193	Linkage Pivot Bracket
4	1	47198	Linkage Pivot Bracket
5	1	47200	Lift Linkage
6	1	47205	Lift Linkage
7	2	47209	Roller Bed Top Link
8	1	47210	Roller Bed
9	1	47332	Rear Small Roller
10	18	BEA P205-16-1	Pillow Block Bearing 1"
11	8	CB3/8-16X1.25CZ5	Carriage Bolt - 3/8-16 x 1 1/4" Grade 5 Zinc
12	4	FHSCS5/16-18X1.25	Hex Bolt - 5/16"-18 x 1 1/4" Flat Socket Cap Screw
13	52	FW 3/8	Flatwasher - 3/8" Zinc Plated USS
14	1	GR 1/4 X 28	Grease Fitting 1/4-28 Straight Standard Zerk
15	2	HB1-8X4Z5	Hex Bolt 1-8x4 Grade 5 Zinc Plated Hex Cap Screw
16	31	HB3/8-16X1.5Z5	Hex Bolt 3/8-16x1 1/2 Grade 5 Zinc Plated Hex Cap Screw
17	4	HB3/8-16X1.25Z5	Hex Bolt 3/8-16x1 1/4 Grade 5 Zinc Plated Hex Cap Screw
18	8	HB3/8-16X1.75Z5	Hex Bolt 3/8-16x1 3/4 Grade 5 Zinc Plated Hex Cap Screw
19	2	HB5/8-11X5.5Z5	Hex Bolt 5/8-11x5 1/2 Grade 5 Zinc Plated Hex Cap Screw
20	1	HF 2404-4-6	Hyd. Fitting - Male JIC - Male Pipe
21	1	HF 6806-6-6	Hyd 90° Elbow - 3/8 ORB to 3/8 MP
22	2	LN1-8NCZ5	LN 1-8 Zinc Plated Nylon Insert Lock Nut
23	51	LN3/8-16NCZ5	LN 3/8-16 Zinc Plated Nylon Insert Lock Nut
24	4	LN5/8-11NCZ5	LN 5/8-11 Zinc Plated Nylon Insert Lock Nut
25	4	LN5/16-18NCZ5	LN 5/16-18 Zinc Plated Nylon Insert Lock Nut
26	2	T650RL04	Small Roller Bearing
27	2	TL5X2-500-116	Cylinder Pin
28	1	TL550-200-004	Right Rear Small Roller Mount
29	1	TL550-200-005	Left Rear Small Roller Mount
30	1	TL550-200-006	Steering Speed Control (Needle Valve)
31	6	TL650-100-086	Large Roller
32	3	TL650-100-099	4" Roller
33	4	TL551310	Roller Spacer Plate

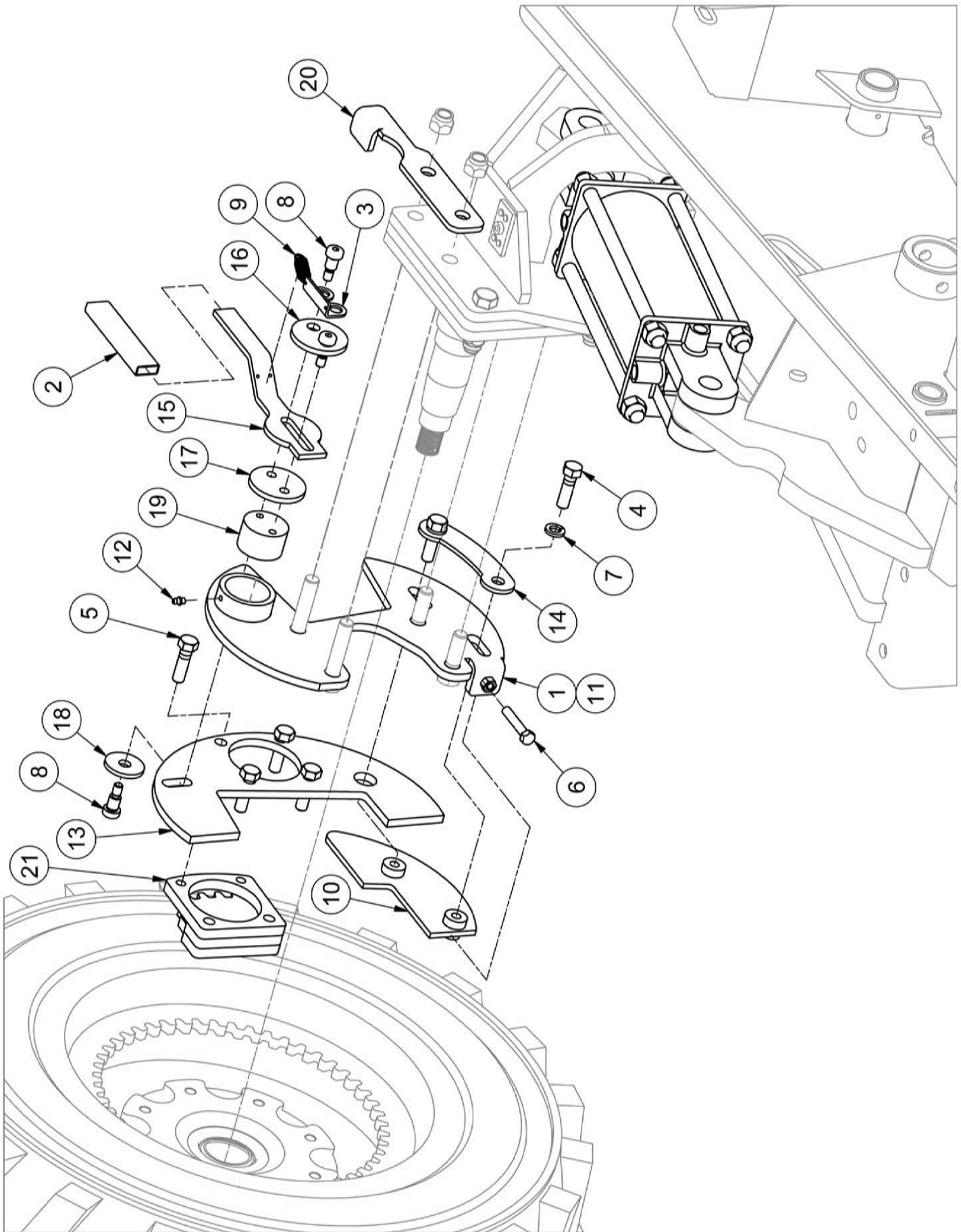
Rear Axle



Rear Axle

ITEM	QTY	PART NUMBER	DESCRIPTION	NOTE
1	1	28779	Left Power Drive	Refer to Pg.1-40
2	2	46792	Hydraulic Cylinder 4.0 x 8.0	TL5X2-100-207 Up to SN 2170L015
3	1	46990	TL70 Brake Pad	
4	1	47085	TL70 Axle	
5	1	47218	Left Transport Lock	
6	1	47221	Right Transport Lock	
7	1	47222	Shaft Coupler	
8	2	47233	Axle Pivot Pin	
9	1	47486	Left Side Handle Stop	
10	2	48662	Rear Spindle Weldment	
11	4	GR 1/4 X 28	Grease Fitting 1/4-28 Straight Standard Zerk	
12	2	HB1/2-13X4Z5	Hex Bolt 1/2-13x4 Grade 5 Zinc Plated Hex Cap Screw	
13	4	HB5/8-11X2Z5	Hex Bolt 5/8-11x2 Grade 5 Zinc Plated Hex Cap Screw	
14	2	HB5/8-11X2.5Z5	Hex Bolt 5/8-11x2 1/2 Grade 5 Zinc Plated Hex Cap Screw	
15	4	HB5/8-11X3Z5	Hex Bolt 5/8-11x3 Grade 5 Zinc Plated Hex Cap Screw	
16	2	HUB 6500	Wrapper Hub Model	
17	16	TL500-100-072	Wheel Stud - Wheel Bolt 9/16 X 1 3/4	
18	2	HUB 6500-CCS	Complete Bearing and Seals for HUB6500	
19	1	KS46962	Keystock .25 x 4	
20	2	LN1/2-13NCZ5	LN 1/2-13 Zinc Plated Nylon Insert Lock Nut	
21	8	LN5/8-11NCZ5	LN 5/8-11 Zinc Plated Nylon Insert Lock Nut	
22	1	LP B1995	Pin - Lock Pin 1/4 X 1 3/4	
23	2	PB 5/8-11X2.5	Plow Bolts - 5/8-11 x 2 1/2 Flat Head Gr.5	
24	2	SS3/8-16CX0.51CP	Allan Head Set Screw, 3/8-16 x 1/2	
25	1	48318	WHE12-16.5 Left Asm	Incl. Items 26,27
26	1	48241	TL70 Rim c/w Gear	
27	1	WHE12-16.5	Tire only-12-16.5 Galaxy Beefy Baby R-410PR	
28	1	48319	WHE12-16.5 Right Asm	Incl. Items 26,27

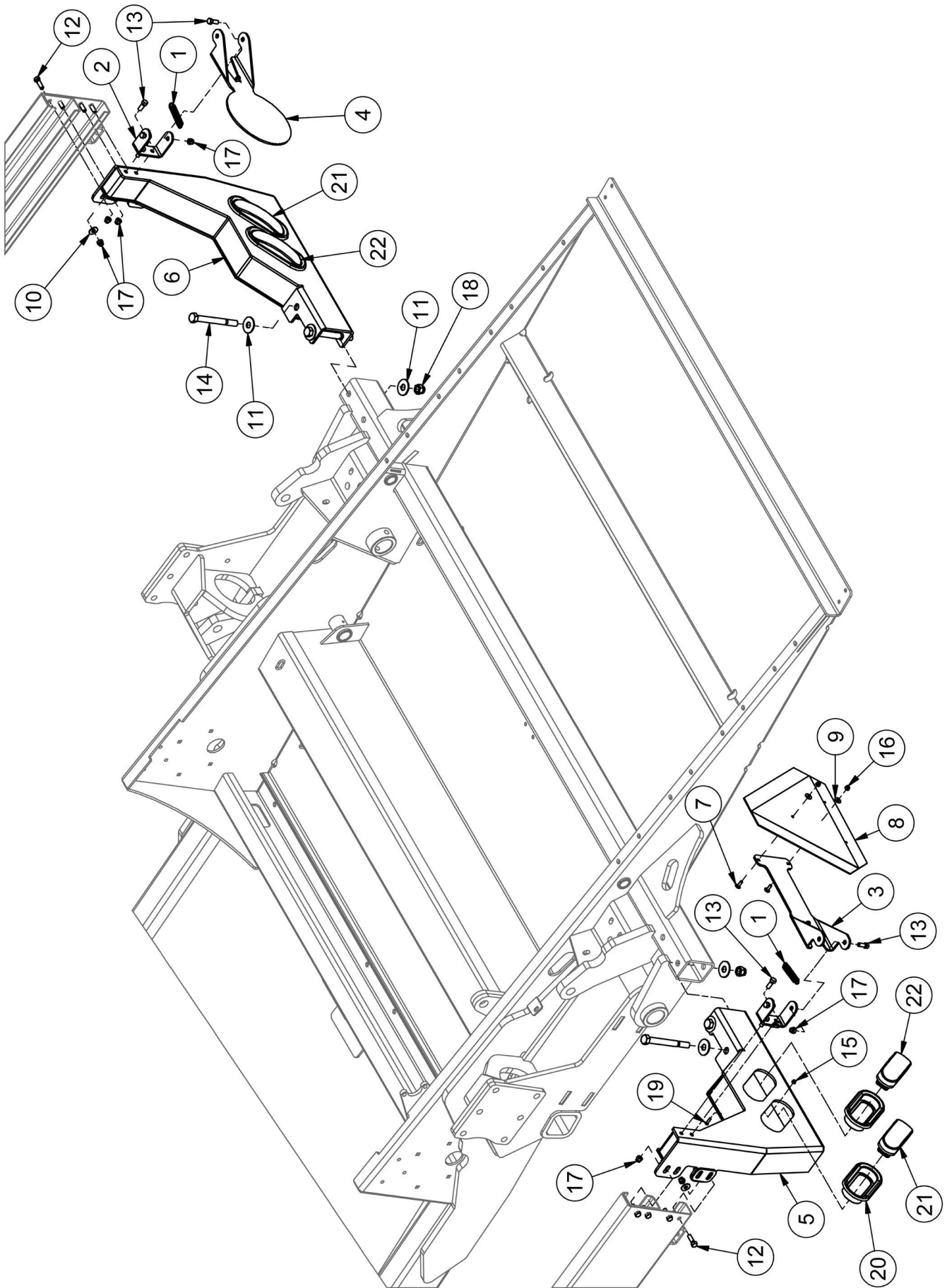
Parking Brake



Parking Brake

ITEM	QTY	PART NUMBER	DESCRIPTION	NOTE
1	1	49423	Left Power Drive	Inc. Items 2-19
2	1	22707	Rubber Handle for 3/8 X 1 Flat Bar	
3	1	49400	Power Drive Flange Washer	
4	2	HB 1/2-13X1.75 Z5	Hex Bolt 1/2-13x1 3/4 Grade 5 Zinc Plated Hex Cap Screw	
5	4	HB1/2-13X1.75Z5	Hex Bolt 1/2-13x1 3/4 Grade 5 Zinc Plated Hex Cap Screw	
6	1	HB3/8-16X2.0TCZ5	3/8"-16 x 2" SAE J429 Grade 5 Zinc Finish Steel Tap Bolt	
7	2	LW 1/2	LW -1/2" Zinc Plated Medium Split	
8	3	SHSS1/2X5/8X3/8-16Z	Socket Head Shoulder Screws - 1/2 Shldr x 5/8 x 3/8-16	
9	1	TL500-100-062	Extension Spring	
10	1	TLWHEEL30	Powerdrive Part	
11	1	TLWHEEL3108	Left Powerdrive HD Bracket	
12	1	GR 1/4 X 28	Grease Fitting 1/4-28 Straight Standard Zerk	
13	1	WHEEL1108	Powerdrive Motor Mount	
14	1	WHEEL14	Powerdrive Part	
15	1	WHEEL2011	Powerdrive Handle	
16	1	WHEEL2012	Outside Handle Washer	
17	1	WHEEL20121	Inside Handle Washer	
18	1	WHEEL2013	Inside Cam Washer	
19	1	WHEEL9	Eccentric	
20	1	47486	Left Side Handle Stop	
21	1	46990	TL70 Brake Pad	

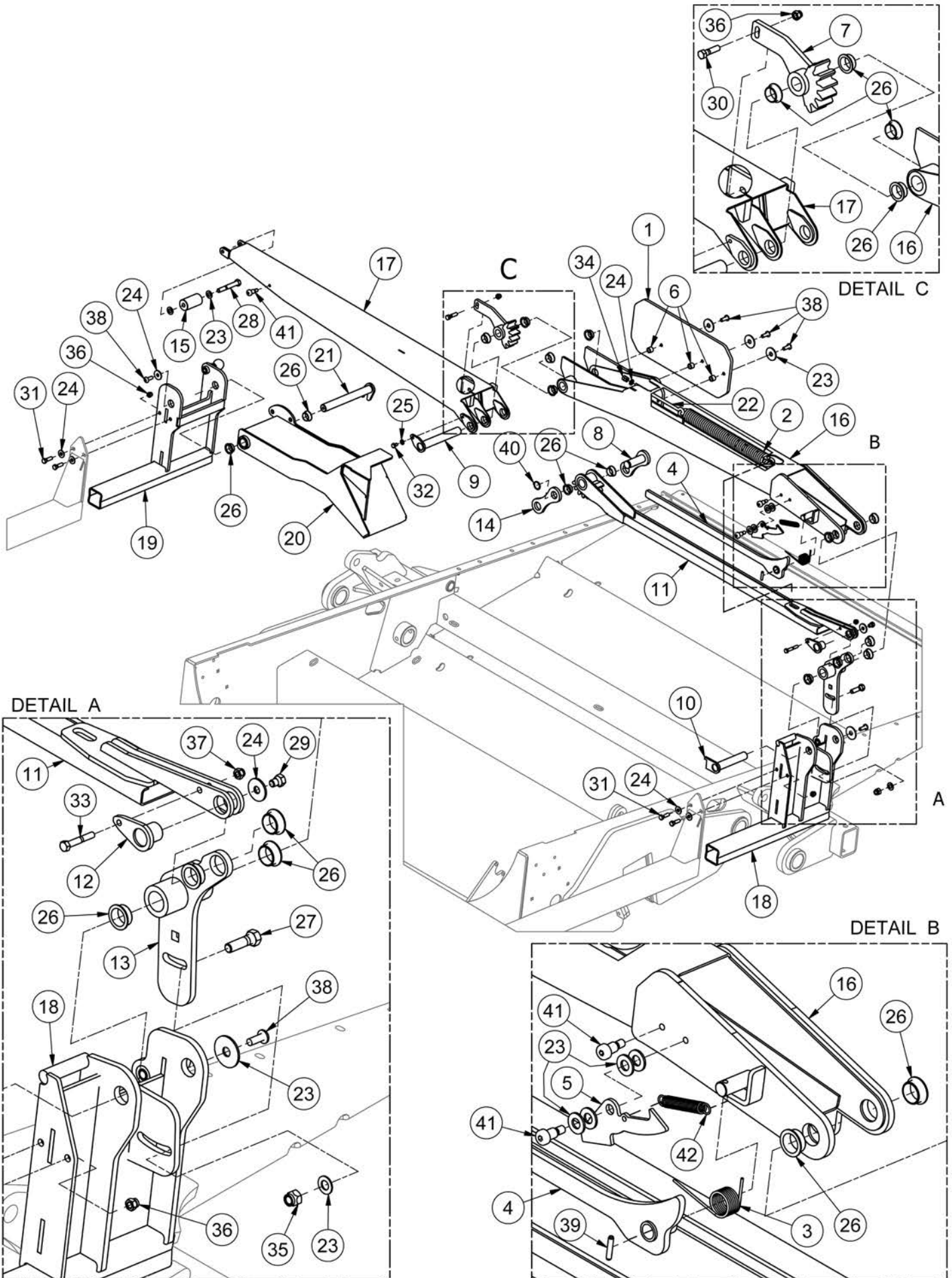
Rear Light Brackets



Rear Light Brackets

ITEM	QTY	PART NUMBER	DESCRIPTION
1	2	28771	SMV Spring
2	2	44203	SMV C Bracket
3	1	44204	SMV Attachment
4	1	45923	SIS Mount
5	1	47165	Left Side Light Bracket
6	1	47170	Right Side Light Bracket
7	2	CB1/4-20X0.75CZ5	Carriage Bolt - 1/4-20 x 3/4" Grade 5 Zinc
8	1	DESMV	Slow Moving Vehicle Sign
9	2	FW 1/4	Flatwasher - 1/4" Zinc Plated USS
10	8	FW 3/8	Flatwasher - 3/8" Zinc Plated USS
11	8	FW 5/8	Flatwasher - 5/8" Zinc Plated USS
12	8	HB3/8-16X1.25Z5	Hex Bolt 3/8-16x1 1/4 Grade 5 Zinc Plated Hex Cap Screw
13	8	HB3/8-16X1Z5	Hex Bolt 3/8-16x1 Grade 5 Zinc Plated Hex Cap Screw
14	4	HB5/8-11X6Z5	Hex Bolt 5/8-11x6 Grade 5 Zinc Plated Hex Cap Screw
15	2	LN #10 N	LN 3/16-24 Zinc Plated Nylon Insert Lock Nut
16	2	LN1/4-20NCZ5	LN 1/4-20 Zinc Plated Nylon Insert Lock Nut
17	16	LN3/8-16NCZ5	LN 3/8-16 Zinc Plated Nylon Insert Lock Nut
18	4	LN5/8-11NCZ5	LN 5/8-11 Zinc Plated Nylon Insert Lock Nut
19	2	MS #10X24X0.75	Machine Screw - (Inch)
20	4	TL5X2-500-136	Light Mount Grommet
21	2	TL5X2-500-138	Amber Light
22	2	TL5X2-500-137	Red Brake Light

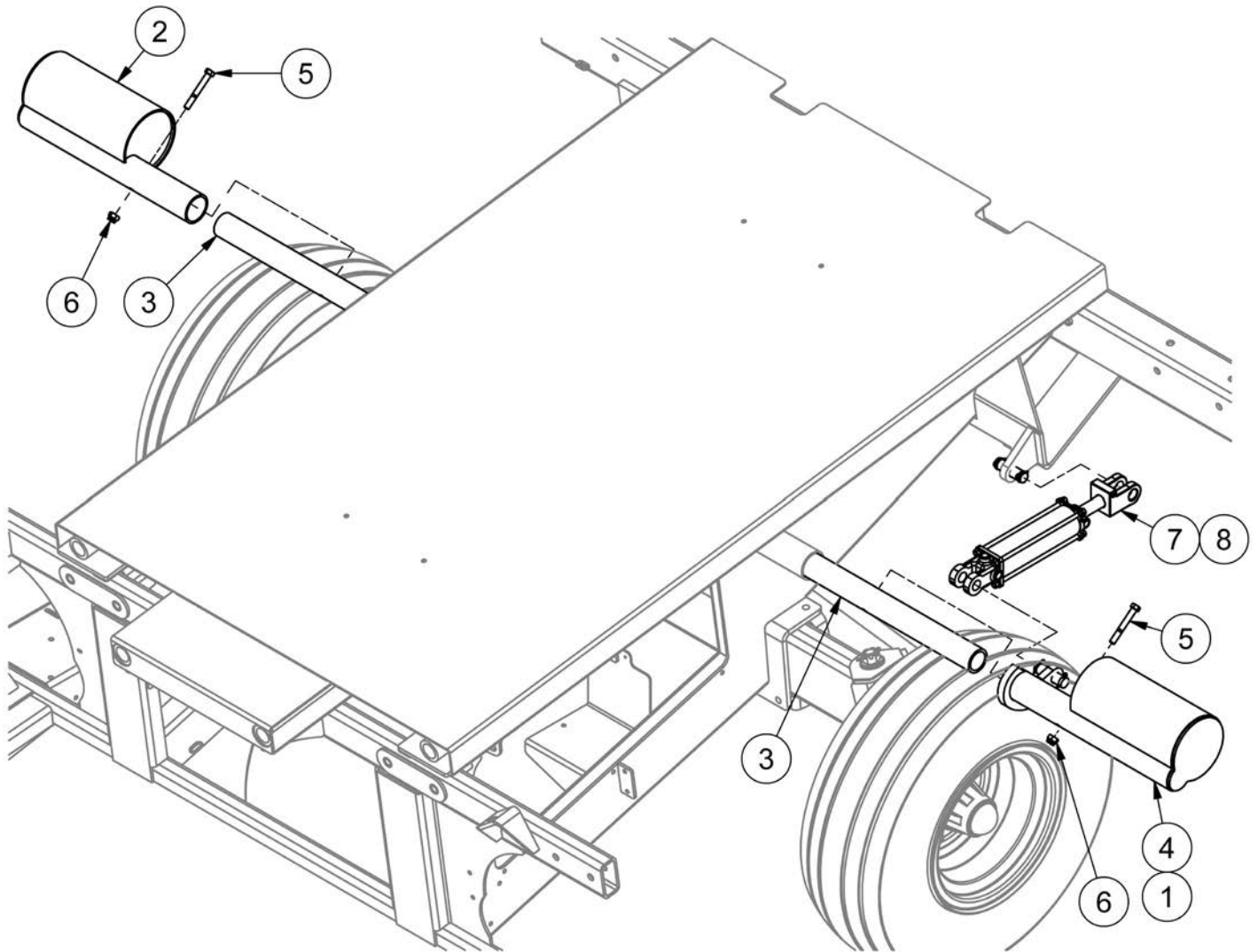
TLMPO-70 - Dispatch Arm



TLMPO-70 - Dispatch Arm

ITEM	QTY	PART NUMBER	DESCRIPTION
1	1	31302	Rubber Pushoff Pad
2	1	31395	Dispatch Arm spring
3	1	33230	Torsion Spring
4	1	33231	Folding Pushoff Handle
5	1	36690	Folding Pushoff Latch
6	3	36942	Rubber Plate Spacer
7	1	42570	Pushoff Arm Sprocket
8	1	42571	Welded Chain Link
9	1	42573	Center Pivot Pin
10	1	42574	Rear Pivot Pin
11	1	42575	Inner Arm Linkage
12	1	42576	Short Pivot Pin
13	1	42580	Arm Lift Linkage
14	1	42624	Linkage Plate
15	1	42636	Last Pushoff Roller
16	1	42773	Left Folding Arm
17	1	42775	Right Folding Arm
18	1	47308	Left Last Pushoff Base
19	1	47315	Right Last Pushoff Base
20	1	47320	Last Pushoff Extension Arm
21	1	47326	Pivot Pin
22	1	EB3/8-16X6.0	Eye Bolt - 3/8-16 x 6" Shank Zinc Plated Turned
23	11	FW 1/2	Flatwasher - 1/2" Zinc Plated USS
24	12	FW 3/8	Flatwasher - 3/8" Zinc Plated USS
25	1	FW 5/16	Flatwasher - 5/16" Zinc Plated USS
26	15	GFI-1618-08	IGUS Iglide G300 - Flange Bearing - Inch
27	1	HB 1/2-13X1.75 Z5	Hex Bolt 1/2-13x1 3/4 Grade 5 Zinc Plated Hex Cap Screw
28	1	HB 1/2-13X3.5 Z5	Hex Bolt 1/2-13x3 1/2 Grade 5 Zinc Plated Hex Cap Screw
29	1	HB 3/8-16X0.5 Z5	Hex Bolt 3/8-16x1/2 Grade 5 Zinc Plated Hex Cap Screw
30	1	HB 3/8-16X1.5 Z5	Hex Bolt 3/8-16x1 1/2 Grade 5 Zinc Plated Hex Cap Screw
31	4	HB 3/8-16X1.25 Z5	Hex Bolt 3/8-16x1 1/4 Grade 5 Zinc Plated Hex Cap Screw
32	1	HB 5/16-18X0.5 Z5	Hex Bolt 5/16-18x1/2 Grade 5 Zinc Plated Hex Cap Screw
33	1	HB 5/16-18X2 Z5	Hex Bolt 5/16-18x2 Grade 5 Zinc Plated Hex Cap Screw
34	2	HN 3/8	Hex Nut 3/8"-16 Grade 5 Zinc Plated Finished
35	2	LN 1/2 N	LN 1/2-13 Zinc Plated Nylon Insert Lock Nut
36	10	LN 3/8 N	LN 3/8-16 Zinc Plated Nylon Insert Lock Nut
37	1	LN 5/16 N	LN 5/16-18 Zinc Plated Nylon Insert Lock Nut
38	5	MS 3/8X16X1	Machine Screw Slot Head -Slot Truss Head
39	1	RP 1/4 x 1 1/4	Pin - Roll Pin 1/4 x 1 1/4
40	1	RR 1	Retaining Ring-1- External
41	3	SHSS1/2X5/8X3/8-16Z	Socket Head Shoulder Screws - 1/2 Shldr x 5/8 x 3/8-16
42	1	TL550-100-069	Throttle Spring

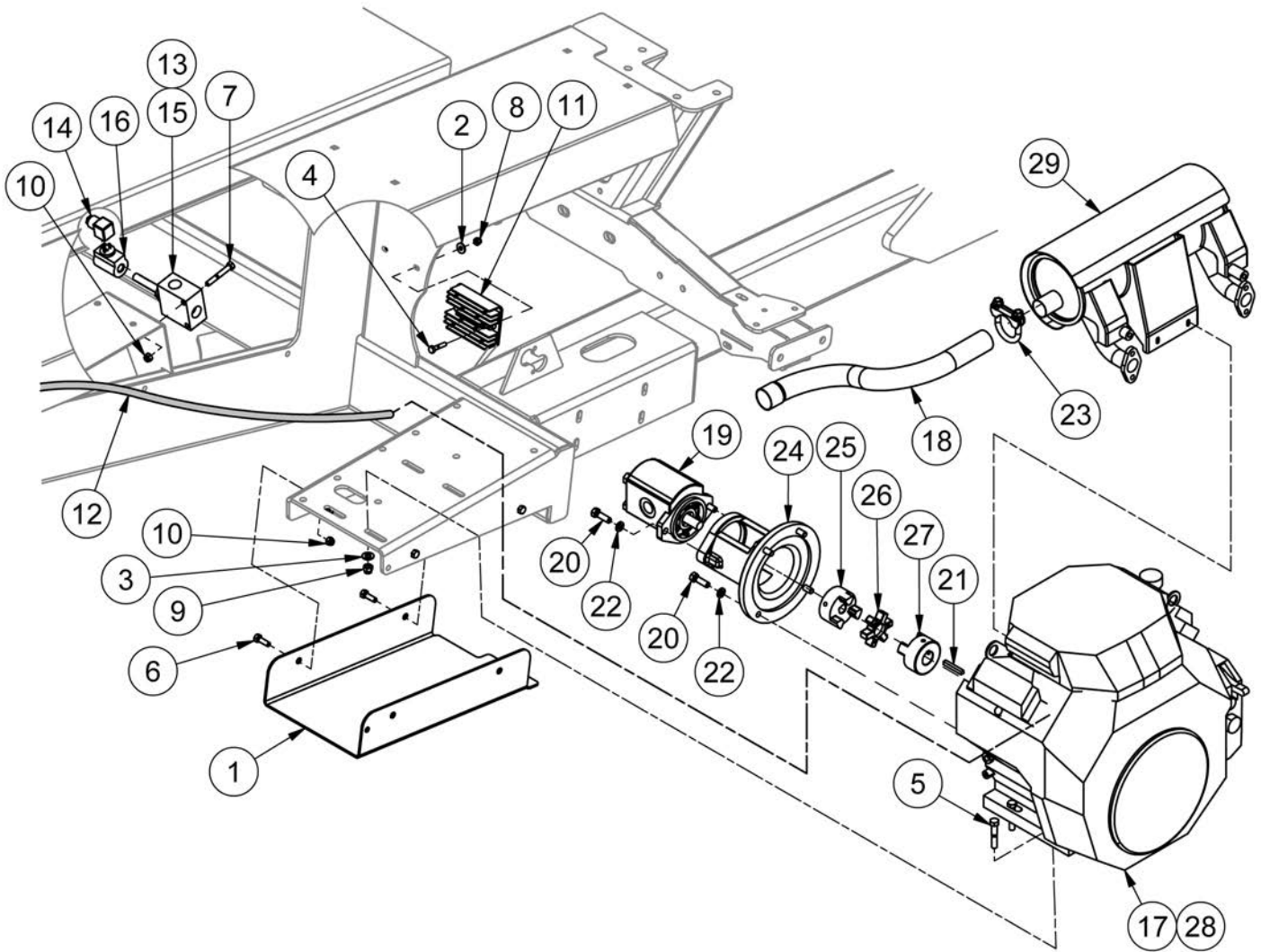
Front Brake - (SN 2270L005 - Current)



ITEM	QTY	PART NUMBER	DESCRIPTION
1	1	49377	TL70 Brake
2	1	49378	Brake
3	1	49383	Brake Eccentric
4	1	49481	TL70 Drum with Cylinder Lug
5	2	HB1/2-13X3.75Z5	Hex Bolt 1/2-13x3 3/4 Grade 5 Zinc Plated Hex Cap Screw
6	2	LN9/16-12NCZ5	LN 9/16-12 Zinc Plated Nylon Insert Lock Nut
7	1	TL500-100-082	Hydraulic Cylinder 2.5" Bore x 8" Stroke Adjustable Clevis
8	1	SK25-80	Frankor Cylinder 2.5" Seal Kit

Section 2: Engine

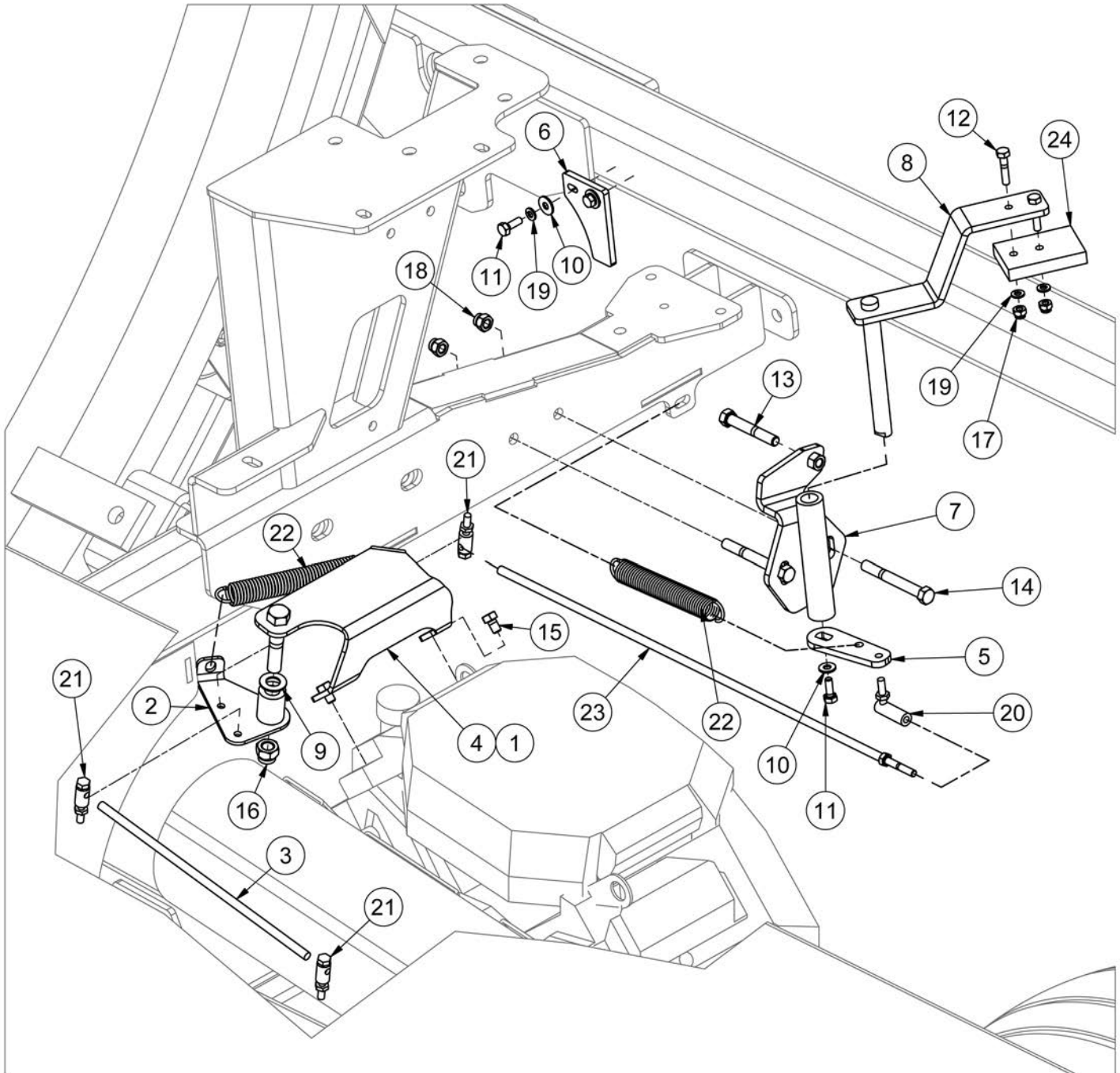
Engine - 20hp Honda



Engine - 20hp Honda

ITEM	QTY	PART NUMBER	DESCRIPTION	NOTE
1	1	49253	Motor Shield	SN 2270L005-Current
2	2	FW 1/4	Flatwasher - 1/4" Zinc Plated USS	
3	4	FW 3/8	Flatwasher - 3/8" Zinc Plated USS	
4	2	HB1/4-20X1.25Z5	Hex Bolt 1/4-20x1 1/4 Grade 5 Zinc Plated Hex Cap Screw	
5	4	HB3/8-16X2Z5	Hex Bolt 3/8-16x2 Grade 5 Zinc Plated Hex Cap Screw	
6	4	HB5/16-18X1Z5	Hex Bolt 5/16-18x1 Grade 5 Zinc Plated Hex Cap Screw	
7	1	HB5/16-18X2.25Z5	Hex Bolt 5/16-18x2 1/4 Grade 5 Zinc Plated Hex Cap Screw	
8	2	LN1/4-20NCZ5	LN 1/4-20 Zinc Plated Nylon Insert Lock Nut	
9	4	LN3/8-16NCZ5	LN 3/8-16 Zinc Plated Nylon Insert Lock Nut	
10	5	LN5/16-18NCZ5	LN 5/16-18 Zinc Plated Nylon Insert Lock Nut	
11	1	TL31750-Z2E-803	Rectifier Honda, GX630 20HP	
12	1	40957	Long Fuel Line	
13	1	TL5X2-500-161	Dump Valve - Complete	Items 14-16
14	1	28534	DIN Connector	
15	1	31545	Dump Valve Body and Cartridge (20 HP)	
16	1	31546	Dump Valve Solenoid (Square Coil)	
17	1	TL20HP16GPM	20 HP Honda Engine w/ 16GPM Pump	Items 17-29
18	1	36945	20 HP Muffler Pipe	
19	1	45471	16GPM Hydraulic Pump	
20	6	HB3/8-16X1.25Z5	Hex Bolt 3/8-16x1 1/4 Grade 5 Zinc Plated Hex Cap Screw	
21	1	KS40960	Key .25 x 1.75	
22	6	LW 3/8	LW - 3/8" Zinc Plated Medium Split	
23	1	MC 1 1/2	Muffler Clamp 1 1/2" Pipe (MC7112)	
24	1	TL500-100-182	Adapter, Engine to Pump	
25	1	TL500-100-183	Lovejoy Coupling Pump Side	
26	1	TL500-100-184	Coupling Spacer	
27	1	TL500-100-185	Love Joy Coupling Engine Side	
28	1	TL6X2-100-200	20 HP Honda Engine	
29	1	TLVHRM6	Muffler	

20hp Throttle Linkage

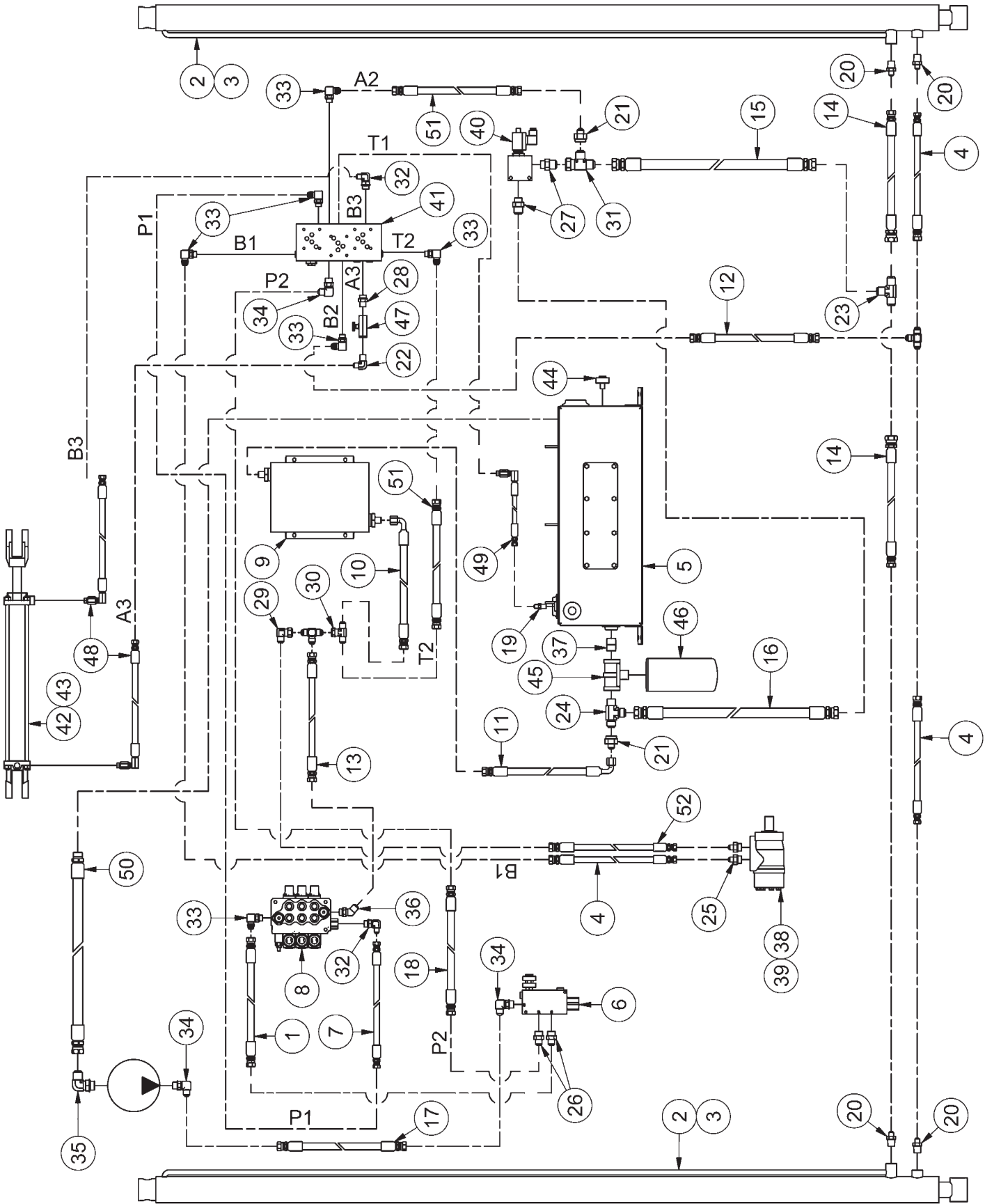


20hp Throttle Linkage

ITEM	QTY	PART NUMBER	DESCRIPTION	NOTE
1	1	47329	20HP Throttle Linkage Assembly	All Items
2	1	44643	20HP Swing Link	
3	1	44644	20HP Rod	
4	1	44645	20HP Engine Throttle Base	
5	1	47295	Rod Link	
6	1	47296	Throttle Arm Trip Plate	
7	1	47297	Throttle Arm Pivot Bracket	
8	1	47300	Throttle Arm	
9	1	FW 1/2	Flatwasher - 1/2" Zinc Plated USS	
10	3	FW 1/4	Flatwasher - 1/4" Zinc Plated USS	
11	3	HB 1/4-20X0.75 Z5	Hex Bolt 1/4-20x3/4 Grade 5 Zinc Plated Hex Cap Screw	
12	2	HB 1/4-20X1.25 Z5	Hex Bolt 1/4-20x1 1/4 Grade 5 Zinc Plated Hex Cap Screw	
13	1	HB 3/8-16X2.5 Z5	Hex Bolt 3/8-16x2 1/2 Grade 5 Zinc Plated Hex Cap Screw	
14	2	HB 3/8-16X3.25 Z5	Hex Bolt 3/8-16x3 1/4 Grade 5 Zinc Plated Hex Cap Screw	
15	2	HB 5/16-18X0.5 Z5	Hex Bolt 5/16-18x1/2 Grade 5 Zinc Plated Hex Cap Screw	
16	1	LN 1/2 N	LN 1/2-13 Zinc Plated Nylon Insert Lock Nut	
17	2	LN 1/4 N	LN 1/4-20 Zinc Plated Nylon Insert Lock Nut	
18	2	LN 3/8 N	LN 3/8-16 Zinc Plated Nylon Insert Lock Nut	
19	4	LW 1/4	LW - 1/4" Zinc Plated Medium Split	
20	1	TL550-100-065	Ball Joint	
21	3	TL550-100-067	Linkage Pivot	
22	2	TL550-100-069	Throttle Spring	
23	1	TL5X2-100-231	Control Rod	
24	1	TL5X2-100-232	Striker Block	

Section 3: Hydraulics

Hydraulic Layout - Front Circuits (Up to SN 2270L004)



Hydraulic Layout - Front Circuits (Up to SN 2270L004)

ITEM	QTY	PART NUMBER	DESCRIPTION	SERIAL BREAK
1	1	39836	Hose - HH40 - 6AT1(8FJXH,8FJXH) HCL 40"	
2	2	40253	TL6000 Ram Cylinder	
3	2	SK P16-083S	Seal Kit 2.5" (Pneu-Hyd)	
4	3	41832	Hose - HH56" - 6ATI(6FJX-8FJX)56" HCL	
5	1	44251	Hydraulic Oil Tank	
6	1	46214	VPR/3/EP/12/SAE	
7	1	46773	Hose - HH102 - 6AT1(6FJXH-6FJXH)HCL 102"	
8	1	47359	3 Spool Valve- SD5	
9	1	47494	Hydraulic Cooler	
10	1	47547	Hose - HH30"- 8ATI(8FJX-8FJX90S)30" HCL	
11	1	47548	Hose - HH39"- 8ATI(8FJX-8FJX90S)39" HCL	
12	1	47569	Hose - HH34 - 8AT1(8FJX,8FJX) HCL 34"	
13	1	47570	Hose - HH90 - 8AT1(8FJ,8FJX)HCL 90"	
14	2	47571	Hose - HH53 - 8AT1(8FJX,12FJX) HCL 53"	
15	1	47789	Hose - HH38 - 12AT1(12FJX-12FJX) HCL 38"	
16	1	47790	Hose - HH34 - 12AT2(12FJX-12FJX) HCL 34"	
17	1	47999	Hose - HH114"- 8ATI(8FJX-8FJX)114"HCL	
18	1	48503	Hose - HH100" 8AT1(8FJX-8FJX) HCL 100"	
19	1	HF 2404-4-4	Hyd. Fitting - Male JIC - Male Pipe	
20	4	HF 2404-6-8	Hyd Fitting, Male JIC - Male Pipe	
21	2	HF 2406-12-8	Hydraulic Adapter Fitting JIC	
22	1	HF 2501-6-6	Hyd Fitting - Male JIC - Male Pipe 90 Degree	
23	1	HF 2603-12-12-12	Hydraulic Tee - 3/4 MJIC	
24	1	HF 2605-12-12	Tee 3/4 MJIC - 3/4 MPT	
25	2	HF 6400-6-10	Hyd Fitting -Male JIC - Male ORB	
26	2	HF 6400-8-10	Hyd Fitting - Male JIC - Male ORB	
27	2	HF 6400-12-10	Straight 3/4 MJIC - 7/8 O-Ring	
28	1	HF 6401-8-6	Hydraulic Adapter - Male ORB - Male Pipe	
29	1	HF 6500-8-8	Hydraulic Elbow - 3/4 MJIC - 3/4 FJIC	
30	1	HF 6600-8-8-8	Hyd. Fitting - Male JIC - Female JIC Tee	
31	1	HF 6602-12-12	Hydraulic Tee - 3/4 MJICs - 3/4 FJIC	
32	2	HF 6801-6-8 NWO	Adapter	
33	6	HF 6801-8-8	Hyd. Fitting- 1/2" JIC- 1/2" SAE 90 Deg Elbow	
34	3	HF 6801-8-10	Hyd. Fitting -1/2" JIC - 5/8" 90 Degree Elbow	
35	1	HF 6801-12-12	Forged Fitting - 3/4" JIC x 3/4" SAE 90 Deg. Elbow	
36	1	HF 6802-8-8	Hyd. Fitting- Male JIC- Male ORB 45 Deg	
37	1	PI 3/4 CLOSE NIPPLE	Close Nipple Sch 80 3/4	
38	1	TL5X2-200-050	Hydraulic Motor (M t S 2009 Models)	
39	1	SK-SMRS-SK	Arrow Orbital Motor Seal Kit	2370L001-Up
40	1	TL5X2-500-161	Dump Valve	
41	1	TL500-100-056	3 Station Custom Manifold	
42	1	TL500-100-103	Hydraulic Cylinder, 2 x 16	
43	1	SK AGU201125-10	Seal Kit - 2" Kinacor Cylinder	

Continued on next page.

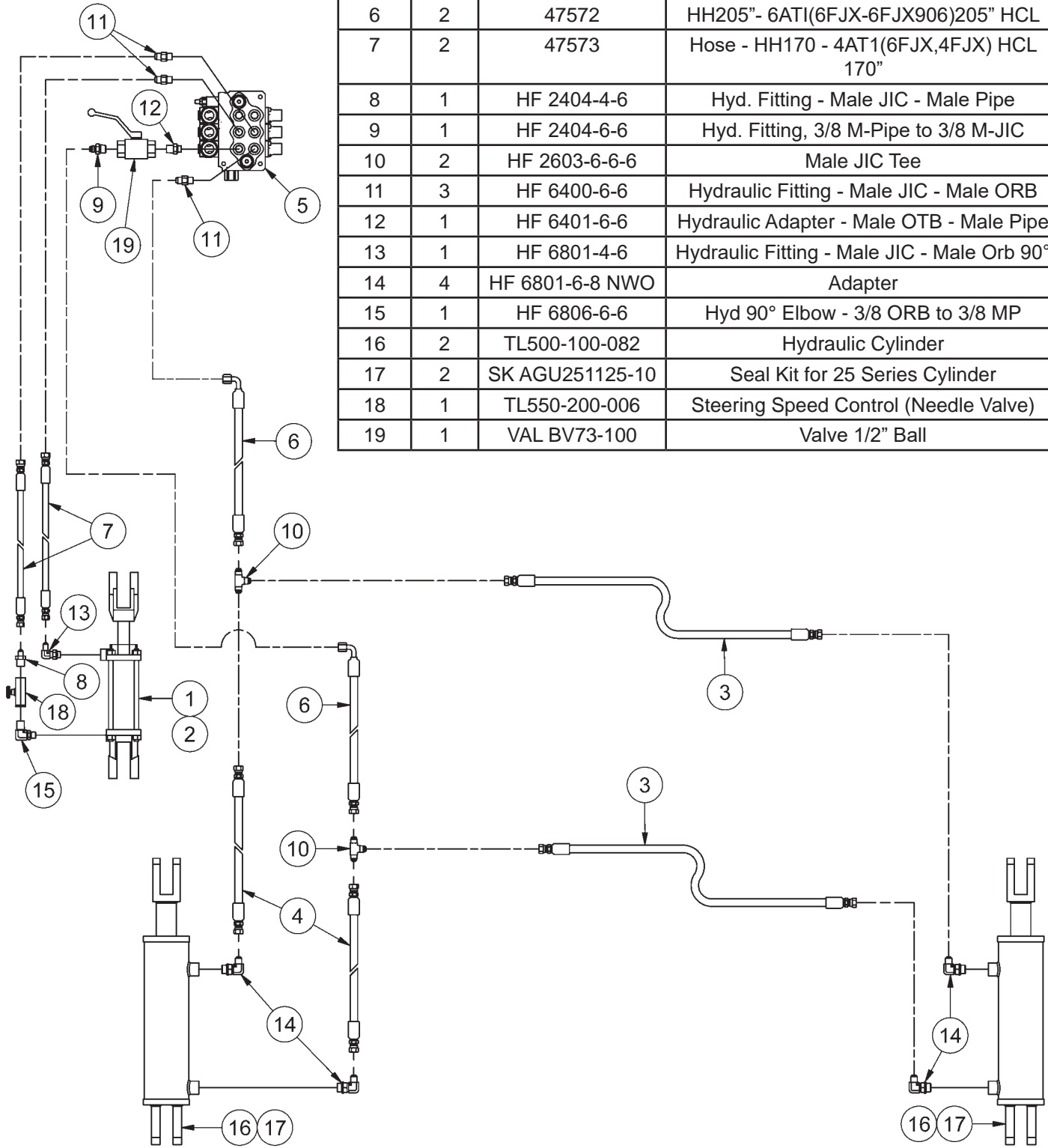
Hydraulic Layout - Front Circuits (Up to SN 2270L004)

Continued from previous page.

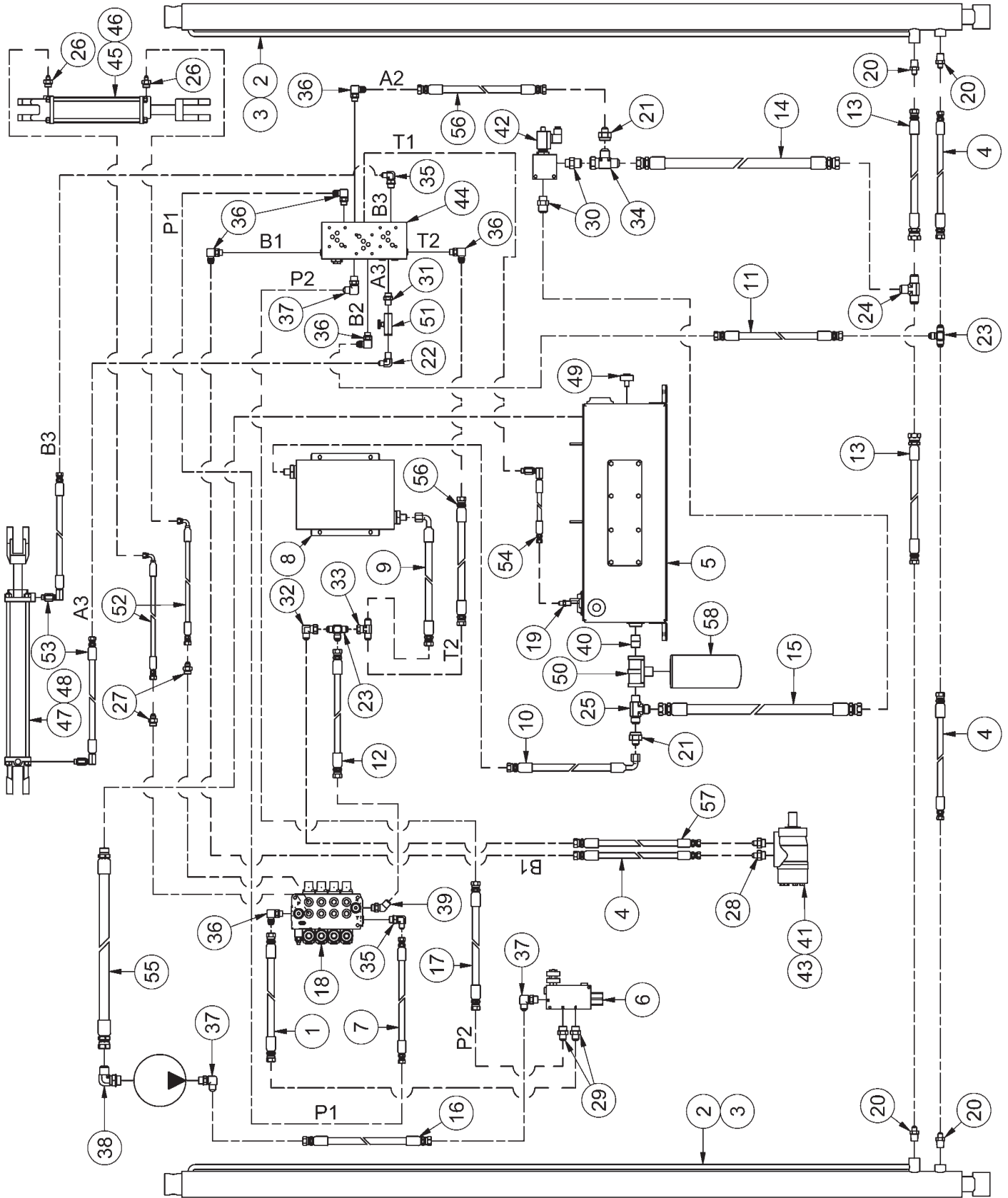
ITEM	QTY	PART NUMBER	DESCRIPTION	SERIAL BREAK
44	1	TL500-100-171	Sight Gauge	
45	1	TL500-100-172	Filter Base	
46	1	VAL HEK44-20.180	ECV Hydraulic Filter	
47	1	TL550-200-006	Steering Speed Control (Needle Valve)	
48	2	TLT5E606-09	HH92.50 - 6ATI(6MBX90,6FJXH) 92.50" E/E	
49	1	TLTLE101-09	HH25-4ATI(4FJXH-6MBX90)25"HCL	
50	1	TL-TLM517	HH37.5 - 12G4H(12MP,12FJXH) 37.5HCL	
51	2	TLX210-09	HH22.25 - 8ATI(8FJX-8FJX) 22.25-CL/E	
52	1	TLX2611	Hose - HH53.00 - 6AT1-(8FJXH-6FJXH)53HCL	

Hydraulic Layout - Rear Circuits (Up to SN 2270L004)

ITEM	QTY	PART NUMBER	DESCRIPTION
1	1	41800	Hydraulic Cylinder - 2" Bore x 4" Stroke - 14" Closed
2	1	SK AGU201125-10	Seal Kit - 2" Kinecor Cylinder
3	2	42236	HH80" - 6ATI(6FJX-6FJX)80" HCL
4	2	45085	Hose - HH32 - 6AT1(6FJX,6FJX) HCL 32"
5	1	47359	3 Spool Valve- SD5
6	2	47572	HH205" - 6ATI(6FJX-6FJX906)205" HCL
7	2	47573	Hose - HH170 - 4AT1(6FJX,4FJX) HCL 170"
8	1	HF 2404-4-6	Hyd. Fitting - Male JIC - Male Pipe
9	1	HF 2404-6-6	Hyd. Fitting, 3/8 M-Pipe to 3/8 M-JIC
10	2	HF 2603-6-6-6	Male JIC Tee
11	3	HF 6400-6-6	Hydraulic Fitting - Male JIC - Male ORB
12	1	HF 6401-6-6	Hydraulic Adapter - Male OTB - Male Pipe
13	1	HF 6801-4-6	Hydraulic Fitting - Male JIC - Male Orb 90°
14	4	HF 6801-6-8 NWO	Adapter
15	1	HF 6806-6-6	Hyd 90° Elbow - 3/8 ORB to 3/8 MP
16	2	TL500-100-082	Hydraulic Cylinder
17	2	SK AGU251125-10	Seal Kit for 25 Series Cylinder
18	1	TL550-200-006	Steering Speed Control (Needle Valve)
19	1	VAL BV73-100	Valve 1/2" Ball



Hydraulic Layout - Front Circuits (SN 2270L005 - Current)



Hydraulic Layout - Front Circuits (SN 2270L005 - Current)

ITEM	QTY	PART NUMBER	DESCRIPTION	SERIAL BREAK
1	1	39836	Hose - HH40 - 6AT1(8FJXH,8FJXH) HCL 40"	
2	2	40253	TL6000 Ram Cylinder	
3	2	SK P16-083S	Seal Kit 2.5" (Pneu-Hyd)	
4	3	41832	Hose - HH56" - 6ATI(6FJX-8FJX)56" HCL	
5	1	44251	Hydraulic Oil Tank	
6	1	46214	VPR/3/EP/12/SAE	
7	1	46773	Hose - HH102 - 6AT1(6FJXH-6FJXH)HCL 102"	
8	1	47494	Hydraulic Cooler	
9	1	47547	Hose - HH30"- 8ATI(8FJX-8FJX90S)30" HCL	
10	1	47548	Hose - HH39"- 8ATI(8FJX-8FJX90S)39" HCL	
11	1	47569	Hose - HH34 - 8AT1(8FJX,8FJX) HCL 34"	
12	1	47570	Hose - HH90 - 8AT1(8FJ,8FJX)HCL 90"	
13	2	47571	Hose - HH53 - 8AT1(8FJX,12FJX) HCL 53"	
14	1	47789	Hose - HH38 - 12AT1(12FJX-12FJX) HCL 38"	
15	1	47790	Hose - HH34 - 12AT2(12FJX-12FJX) HCL 34"	
16	1	47999	Hose - HH114"- 8ATI(8FJX-8FJX)114"HCL	
17	1	48503	Hose - HH100" 8AT1(8FJX-8FJX) HCL 100"	
18	1	49187	4 Spool Valve	
19	1	HF 2404-4-4	Hyd. Fitting - Male JIC - Male Pipe	
20	4	HF 2404-6-8	Hyd Fitting, Male JIC - Male Pipe	
21	2	HF 2406-12-8	Hydraulic Adapter Fitting JIC	
22	1	HF 2501-6-6	Hyd Fitting - Male JIC - Male Pipe 90 Degree	
23	2	HF 2603-8-8-8	Hyd Fitting	
24	1	HF 2603-12-12-12	Hydraulic Tee - 3/4 MJIC	
25	1	HF 2605-12-12	Tee 3/4 MJIC - 3/4 MPT	
26	2	HF 6400-4-8	Hyd. Fitting - Male JIC - Male ORB	
27	5	HF 6400-6-8	Hyd Fitting -Male JIC - Male ORB	
28	2	HF 6400-6-10	Hyd Fitting -Male JIC - Male ORB	
29	2	HF 6400-8-10	Hyd Fitting - Male JIC - Male ORB	
30	2	HF 6400-12-10	Straight 3/4 MJIC - 7/8 O-Ring	
31	2	HF 6401-8-6	Hydraulic Adapter - Male ORB - Male Pipe	
32	1	HF 6500-8-8	Hydraulic Elbow - 3/4 MJIC - 3/4 FJIC	
33	1	HF 6600-8-8-8	Hyd. Fitting - Male JIC - Female JIC Tee	
34	1	HF 6602-12-12	Hydraulic Tee - 3/4 MJICs - 3/4 FJIC	
35	2	HF 6801-6-8 NWO	Adapter	
36	6	HF 6801-8-8	Hyd. Fitting- 1/2" JIC- 1/2" SAE 90 Deg Elbow	
37	3	HF 6801-8-10	Hyd. Fitting -1/2" JIC - 5/8" 90 Degree Elbow	
38	1	HF 6801-12-12	Forged Fitting - 3/4" JIC x 3/4" SAE 90 Deg. Elbow	
39	1	HF 6802-8-8	Hyd. Fitting- Male JIC- Male ORB 45 Deg	

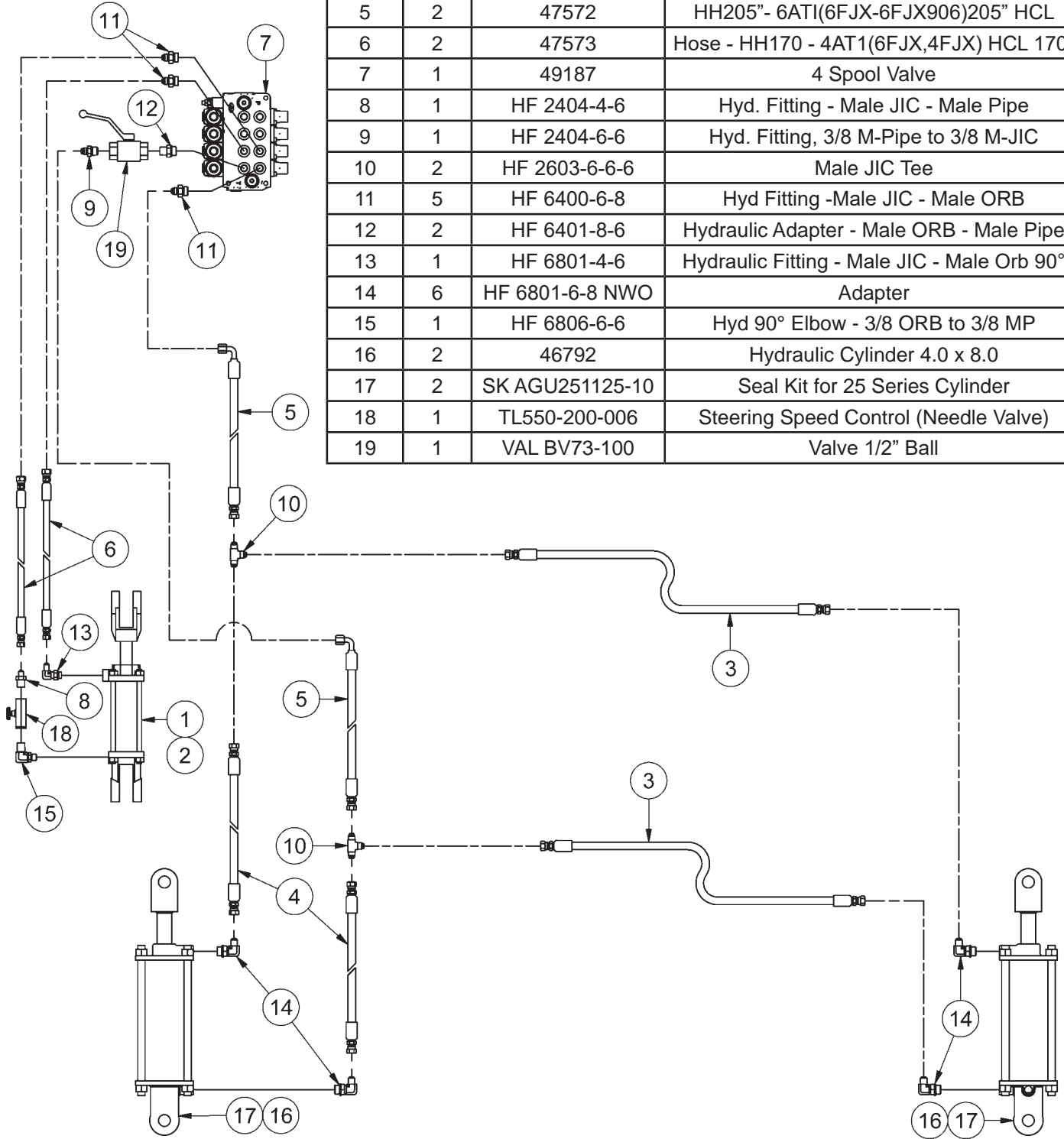
Hydraulic Layout - Front Circuits (SN 2270L005 - Current)

Continued from previous page.

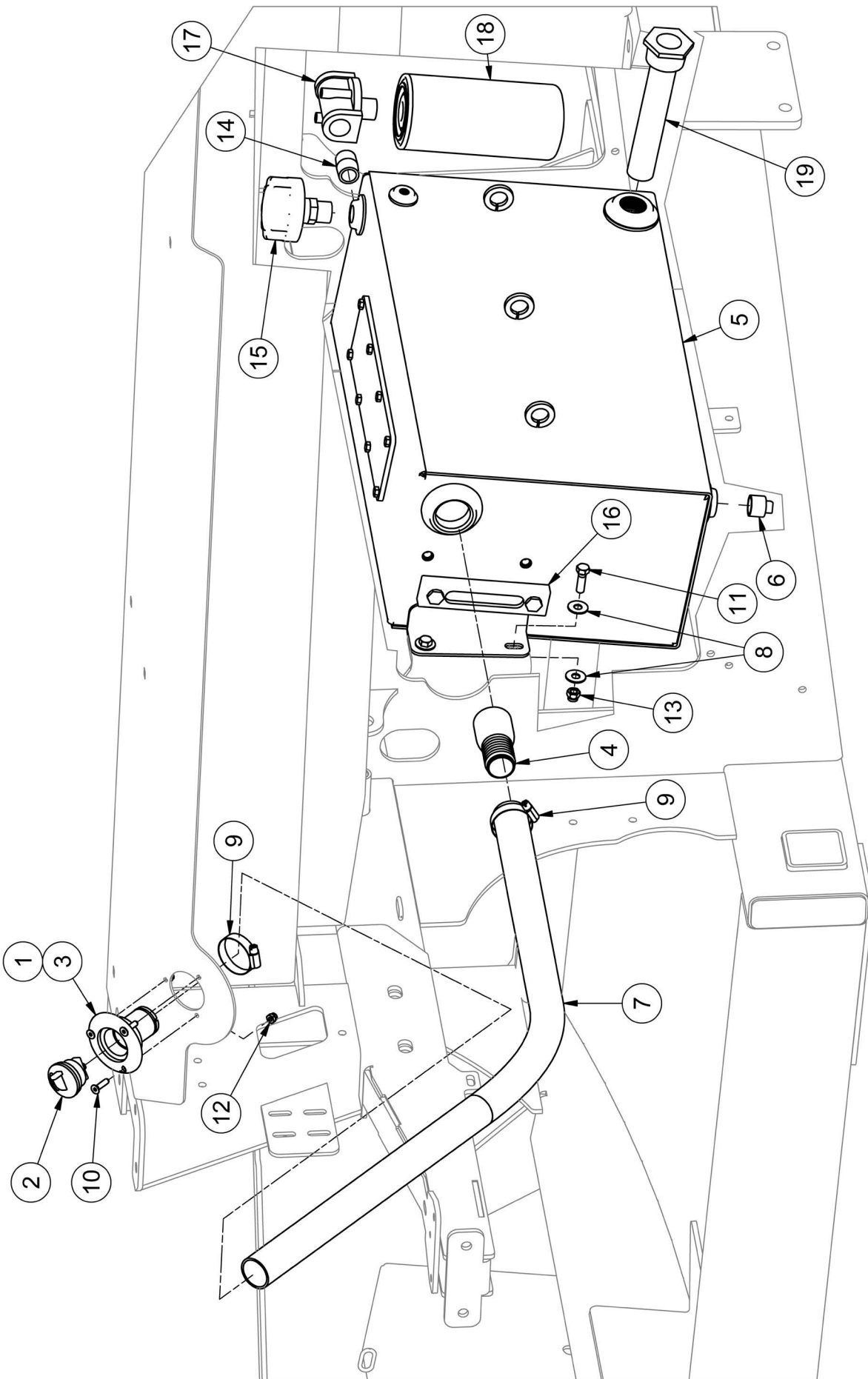
ITEM	QTY	PART NUMBER	DESCRIPTION	SERIAL BREAK
40	1	PI 3/4 CLOSE NIPPLE	Close Nipple Sch 80 3/4	
41	1	TL5X2-200-050	Hydraulic Motor (M t S 2009 Models)	
42	1	TL5X2-500-161	Dump Valve	
43	1	SK-SMRS-SK	Arrow Orbital Motor Seal Kit	2370L001-Up
44	1	TL500-100-056	3 Station Custom Manifold	
45	1	TL500-100-082	HYS 25AGU08-ASAE-10	
46	1	SK AGU251125-10	Seal Kit for 25 Series Cylinder	
47	1	TL500-100-103	Hydraulic Cylinder, 2 x 16	
48	1	SK AGU201125-10	Seal Kit - 2" Kinecor Cylinder	
49	1	TL500-100-171	Sight Gauge	
50	1	TL500-100-172	Filter Base	
51	1	TL550-200-006	Steering Speed Control (Needle Valve)	
52	2	TLT5E153-A	Hose - HH205 - 4AT1(6FJXH,4FJX90S) 205 HCL	
53	2	TLT5E606-09	HH92.50 - 6ATI(6MBX90,6FJXH) 92.50" E/E	
54	1	TLTLE101-09	HH25-4ATI(4FJXH-6MBX90)25"HCL	
55	1	TL-TLM517	HH37.5 - 12G4H(12MP,12FJXH) 37.5HCL	
56	2	TLX210-09	HH22.25 - 8ATI(8FJX-8FJX) 22.25-CL/E	
57	1	TLX2611	Hose - HH53.00 - 6AT1-(8FJXH-6FJXH)53HCL	
58	1	VAL HEK44-20.180	ECV Hydraulic Filter	

Hydraulic Layout - Rear Circuits (SN 2270L005 - Current)

ITEM	QTY	PART NUMBER	DESCRIPTION
1	1	41800	Hydraulic Cylinder - 2" Bore x 4" Stroke - 14" Closed
2	1	SK AGU201125-10	Seal Kit - 2" Kinecor Cylinder
3	2	42236	HH80"- 6ATI(6FJX-6FJX)80" HCL
4	2	45085	Hose - HH32 - 6AT1(6FJX,6FJX) HCL 32"
5	2	47572	HH205"- 6ATI(6FJX-6FJX906)205" HCL
6	2	47573	Hose - HH170 - 4AT1(6FJX,4FJX) HCL 170"
7	1	49187	4 Spool Valve
8	1	HF 2404-4-6	Hyd. Fitting - Male JIC - Male Pipe
9	1	HF 2404-6-6	Hyd. Fitting, 3/8 M-Pipe to 3/8 M-JIC
10	2	HF 2603-6-6-6	Male JIC Tee
11	5	HF 6400-6-8	Hyd Fitting -Male JIC - Male ORB
12	2	HF 6401-8-6	Hydraulic Adapter - Male ORB - Male Pipe
13	1	HF 6801-4-6	Hydraulic Fitting - Male JIC - Male Orb 90°
14	6	HF 6801-6-8 NWO	Adapter
15	1	HF 6806-6-6	Hyd 90° Elbow - 3/8 ORB to 3/8 MP
16	2	46792	Hydraulic Cylinder 4.0 x 8.0
17	2	SK AGU251125-10	Seal Kit for 25 Series Cylinder
18	1	TL550-200-006	Steering Speed Control (Needle Valve)
19	1	VAL BV73-100	Valve 1/2" Ball



Hydraulic Oil Tank



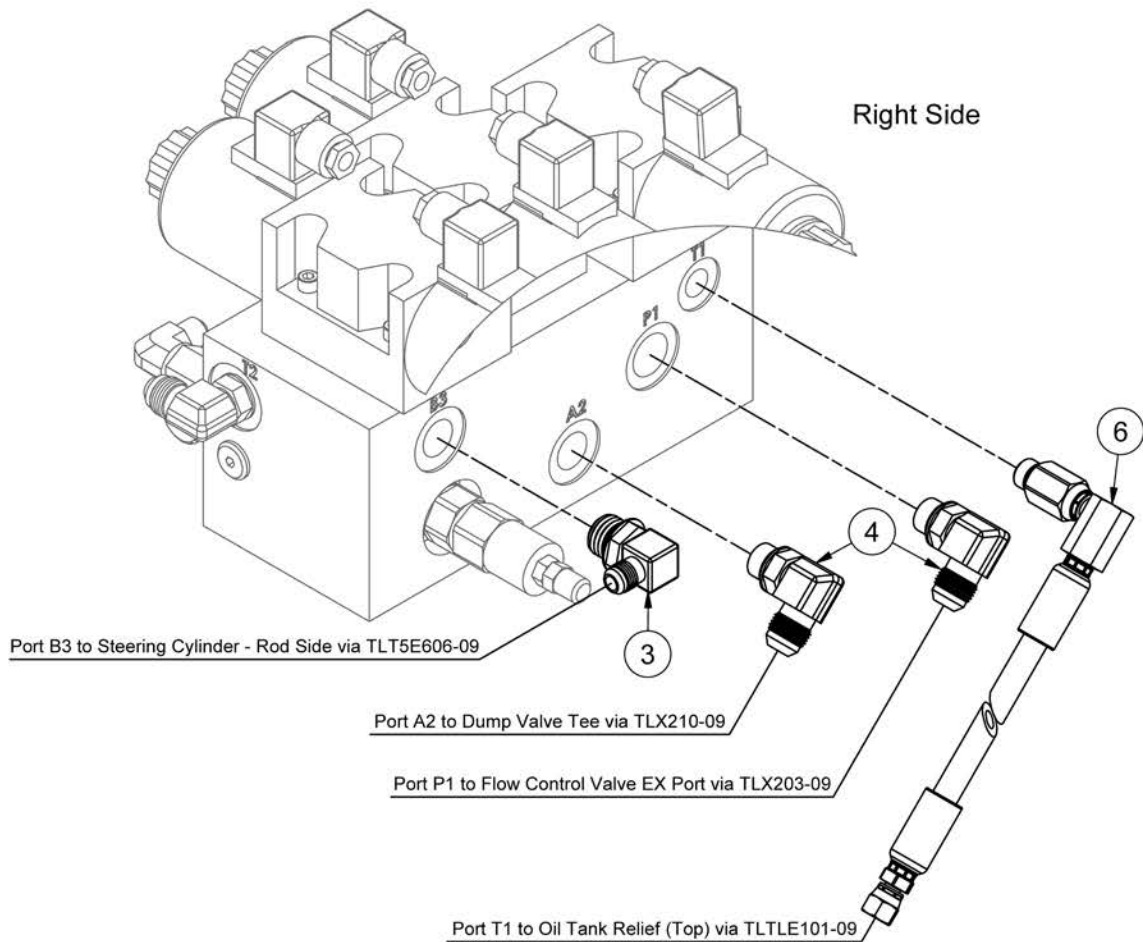
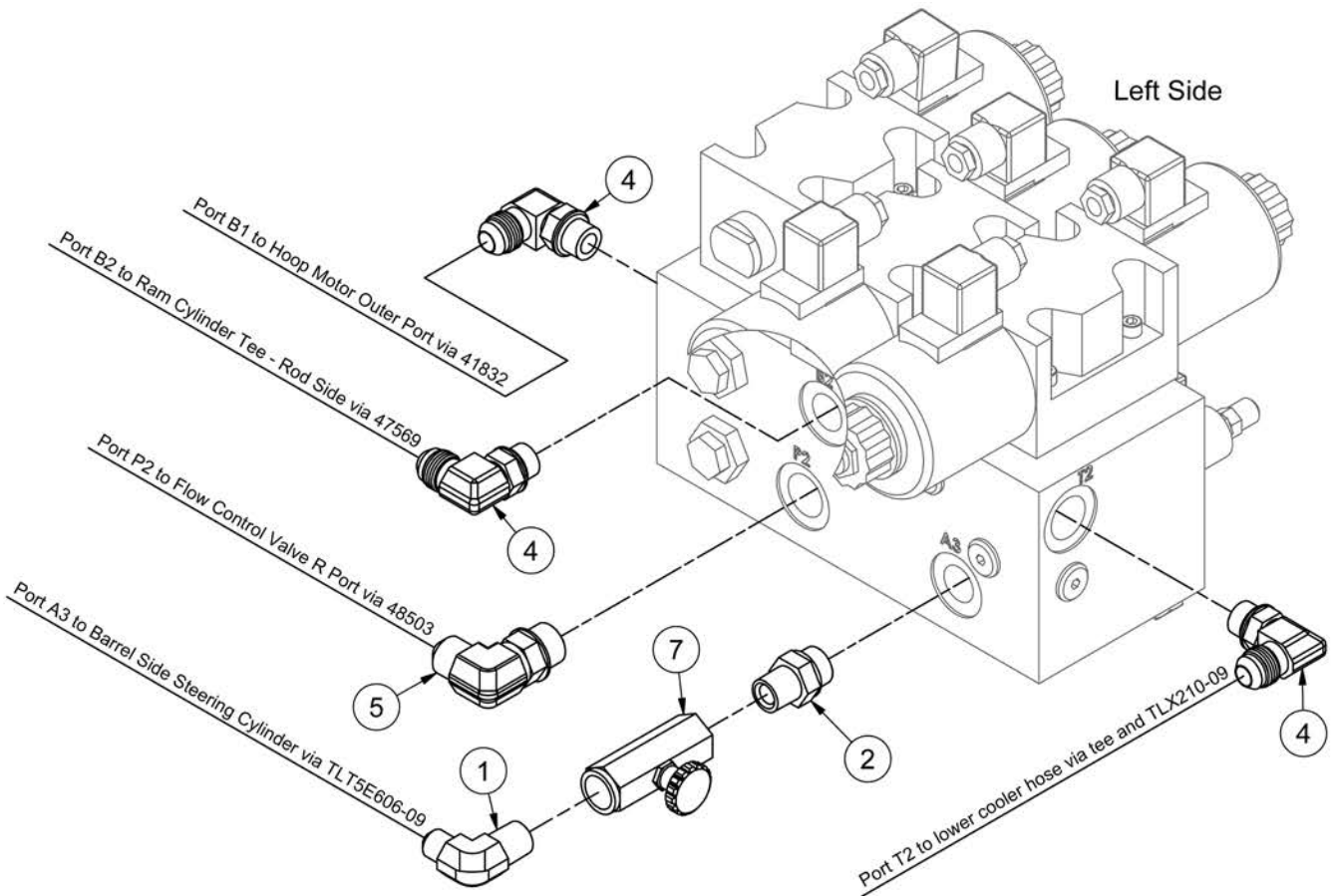
Hydraulic Oil Tank

ITEM	QTY	PART NUMBER	DESCRIPTION
1	1	30870	Complete Oil Fill
2	1	30868	Oil Fill Cap
3	1	30869	Oil Fill Body
4	1	30894	Oil Fill Barb Fitting
5	1	44251	Hydraulic Oil Tank
6	1	TL500-100-174	Magnetic Plug
7	1	46948	TL70 Oil Fill Tube
8	20	FW 3/8	Flatwasher - 3/8" Zinc Plated USS
9	2	GC 24	Gear Clamp #24 1" to 2"
10	3	FHSCS1/4-20X1	Hex Bolt - 1/4"-20 x 1" Flat Socket Cap Screw
11	6	HB3/8-16X1.25Z5	Hex Bolt 3/8-16x1 1/4 Grade 5 Zinc Plated Hex Cap Screw
12	3	LN#12-24NCZ5	LN 3/16-24 Zinc Plated Nylon Insert Lock Nut
13	18	LN3/8-16NCZ5	LN 3/8-16 Zinc Plated Nylon Insert Lock Nut
14	1	PI 3/4 CLOSE NIPPLE	Close Nipple SCH 80 3/4
15	1	TL500-100-169	Breather Cap
16	1	TL500-100-171	Sight Gauge
17	1	TL500-100-172	Filter Base
19	1	TL500-100-175	Suction Strainer
18	1	VAL HEK44-20.180	ECV Hydraulic Filter

Oil in Unit: AW32 SAE10 Hydraulic Oil

FILTER CROSS REFERENCE	
FILTER	REFERENCE
Stauf	SF6520
Gresen	F22001
Fram	P1653-A
Fleetguard	HF6510
Cross	1A9021

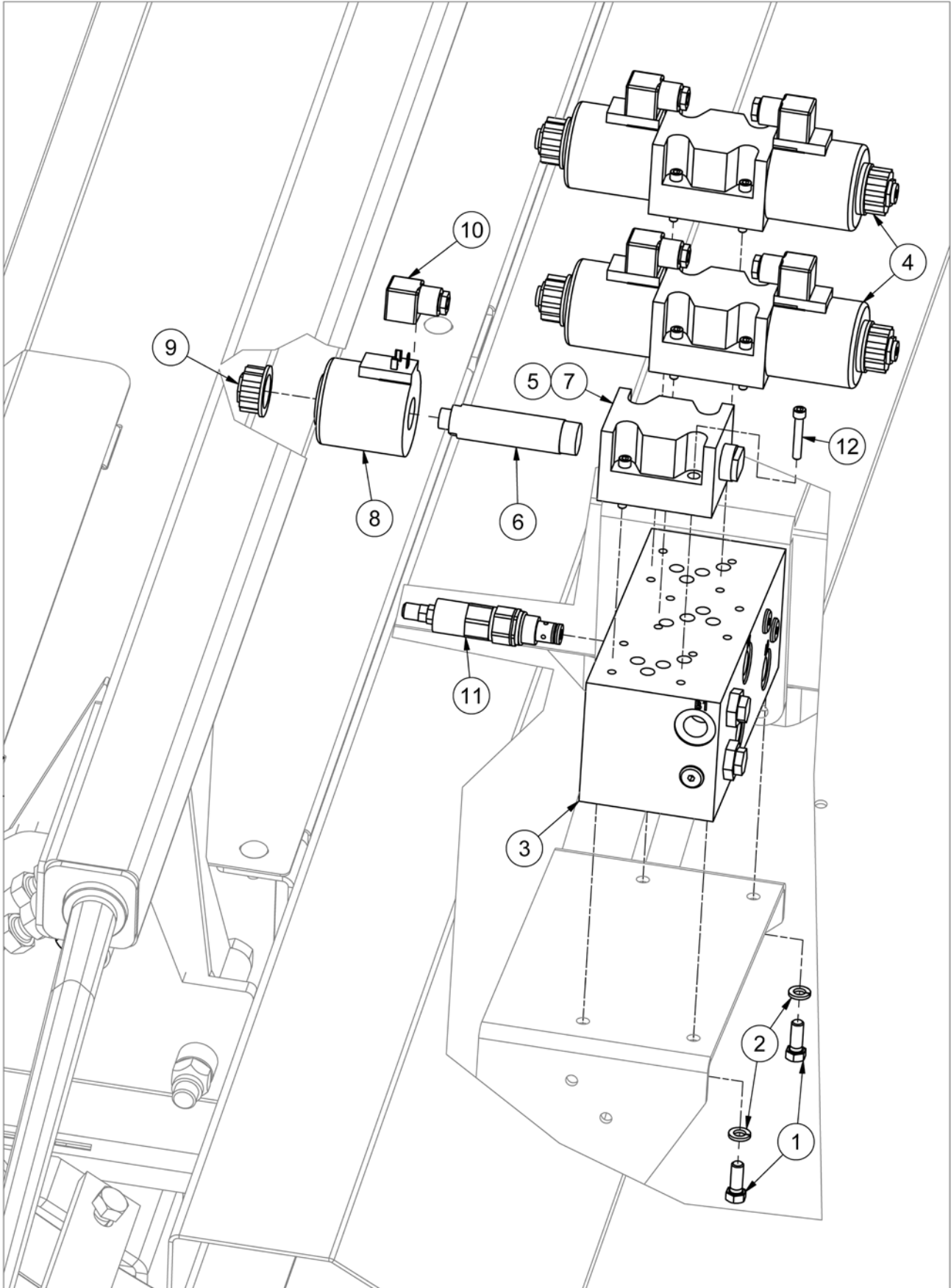
Hydraulic Manifold Connections



Hydraulic Manifold Connections

ITEM	QTY	PART NUMBER	DESCRIPTION
1	1	HF 2501-6-6	Hyd Fitting - Male JIC - Male Pipe 90 Degree
2	1	HF 6401-8-6	Hyd Fitting
3	1	HF 6801-6-8	Hyd Fitting - Male JIC - Male ORB 90 Degree
4	5	HF 6801-8-8	Hyd. Fitting- 1/2" JIC- 1/2" SAE 90 Deg Elbow
5	1	HF 6801-8-10	Hyd. Fitting - 1/2" JIC - 5/8" 90° Elbow
6	1	TLTLE101-09	HH25-4ATI(4FJXH-6MBX90)25"HCL
7	1	VAL FT-03-2090 NPT	Flow Control Valve

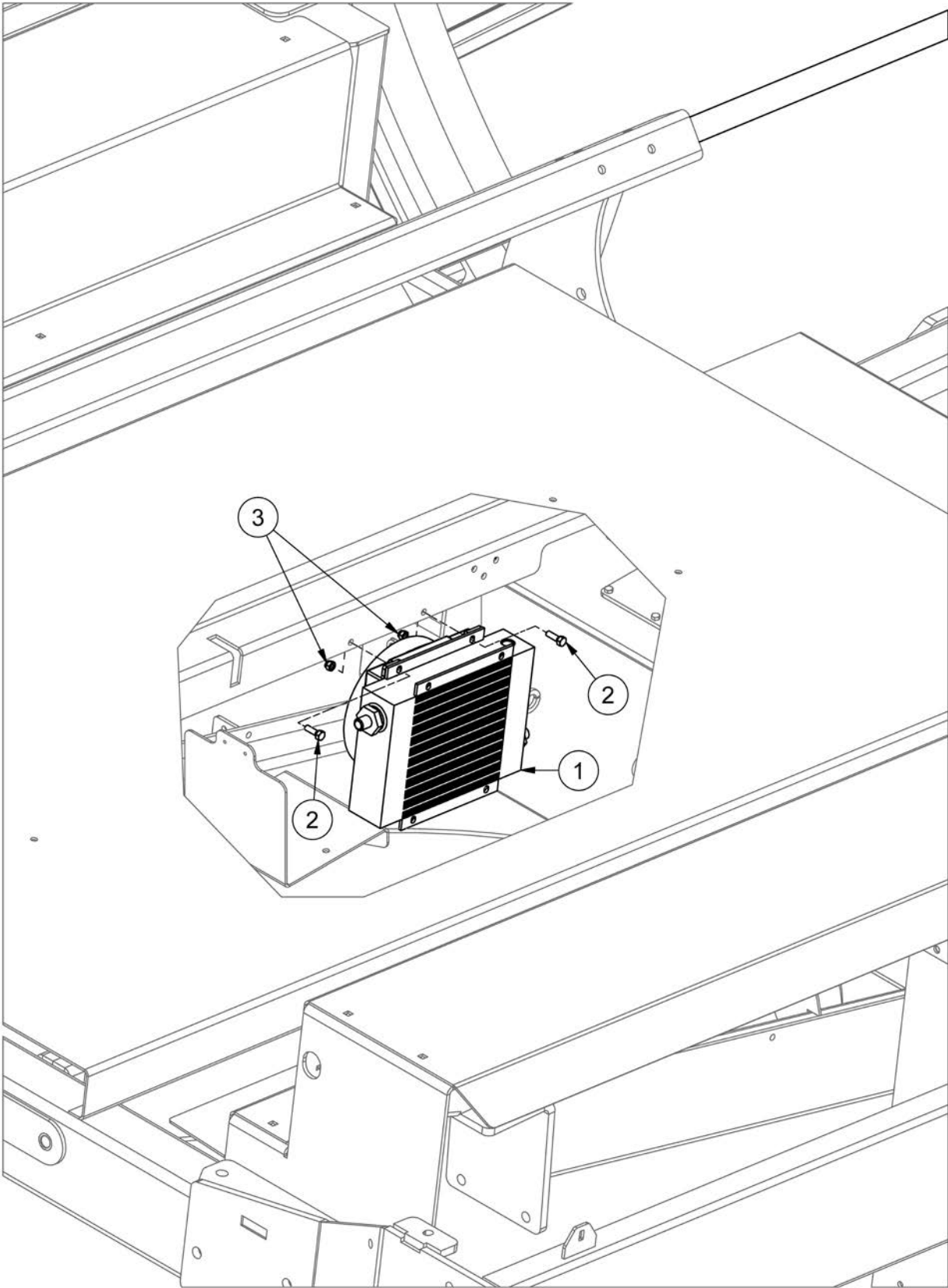
Hydraulic Manifold



Hydraulic Manifold

ITEM	QTY	PART NUMBER	DESCRIPTION	NOTE
1	4	HB 3/8-16X1 Z5	Hex Bolt 3/8-16x1 Grade 5 Zinc Plated Hex Cap Screw	
2	4	LW 3/8	LW - 3/8" Zinc Plated Medium Split	
3	1	TL500-100-056	3 Station Custom Manifold	Incl. Items 4-12
4	2	28532	Tandem 12V DC Valve (Complete)	Incl. Items 6-9 (6,8,9 x2 Qty)
5	1	28533	Single 12V DC Valve (Complete)	Incl. Items 6-9
6	1	VAL 25288	Hystar DSG-03 Tube (DC)	
7	1	25825	Valve Body	
8	1	28531	Valve Coil	
9	1	VAL25285	Plastic Nut	
10	5	28534	Tandem Valve DIN Connector	
11	1	VAL MW10A/OS2B	Double Cross Over Relief Cartridge (Solenoid Valve)	Port 5
12	12	HB 1/4-20X1.5 SHCS	Hex Bolt - 1/4-20 x 1 1/2 Socket Head Cap Screw	

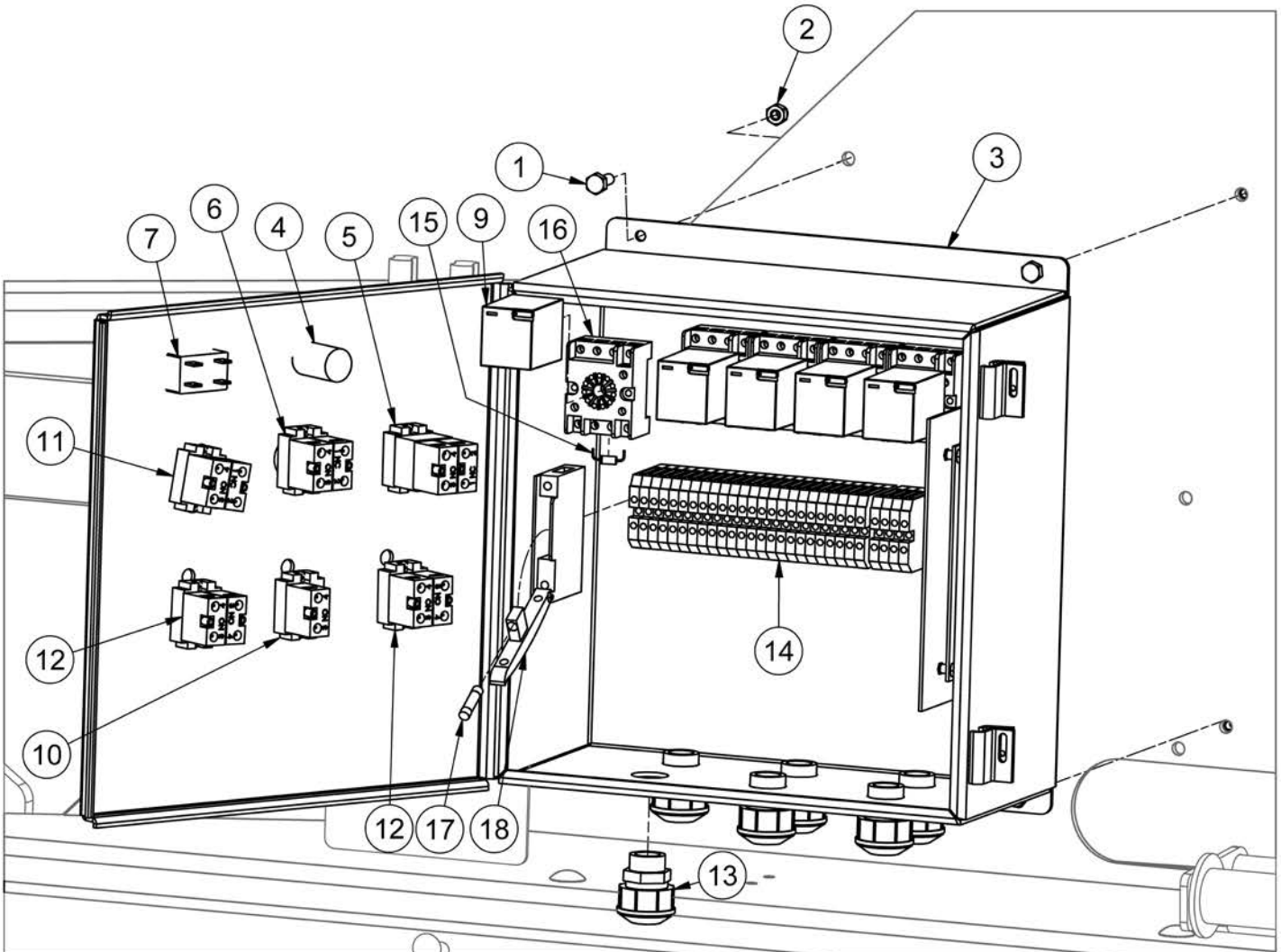
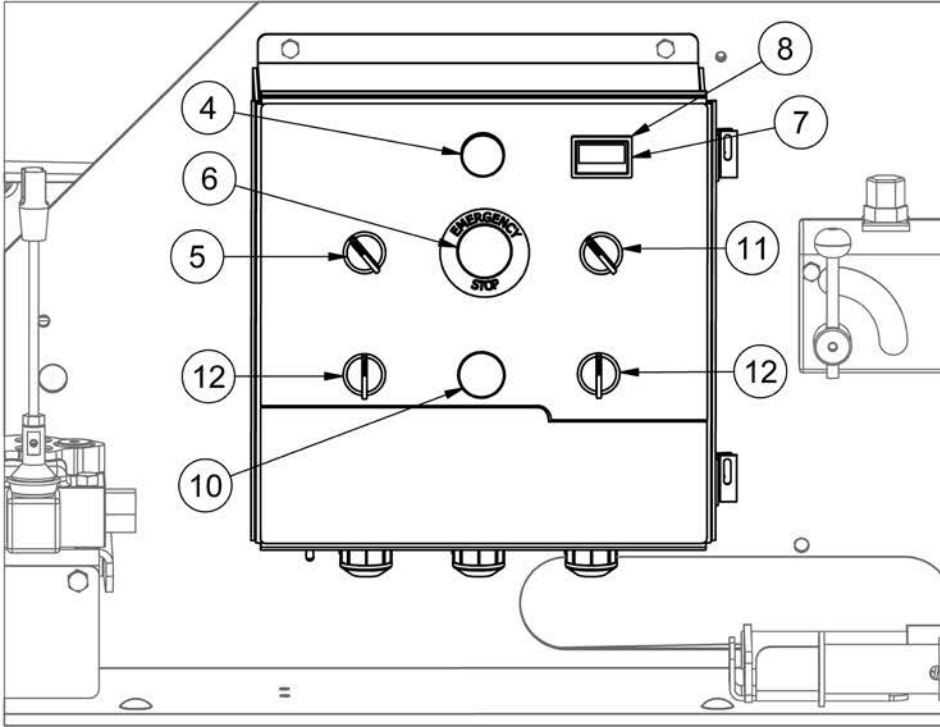
Hydraulic Oil Cooler



ITEM	QTY	PART NUMBER	DESCRIPTION
1	1	47494	Hydraulic Cooler
2	2	HB5/16-18X1Z5	Hex Bolt 5/16-18x1 Grade 5 Zinc Plated Hex Cap Screw
3	2	LN5/16-18NCZ5	LN 5/16-18 Zinc Plated Nylon Insert Lock Nut

Intentionally Left Blank

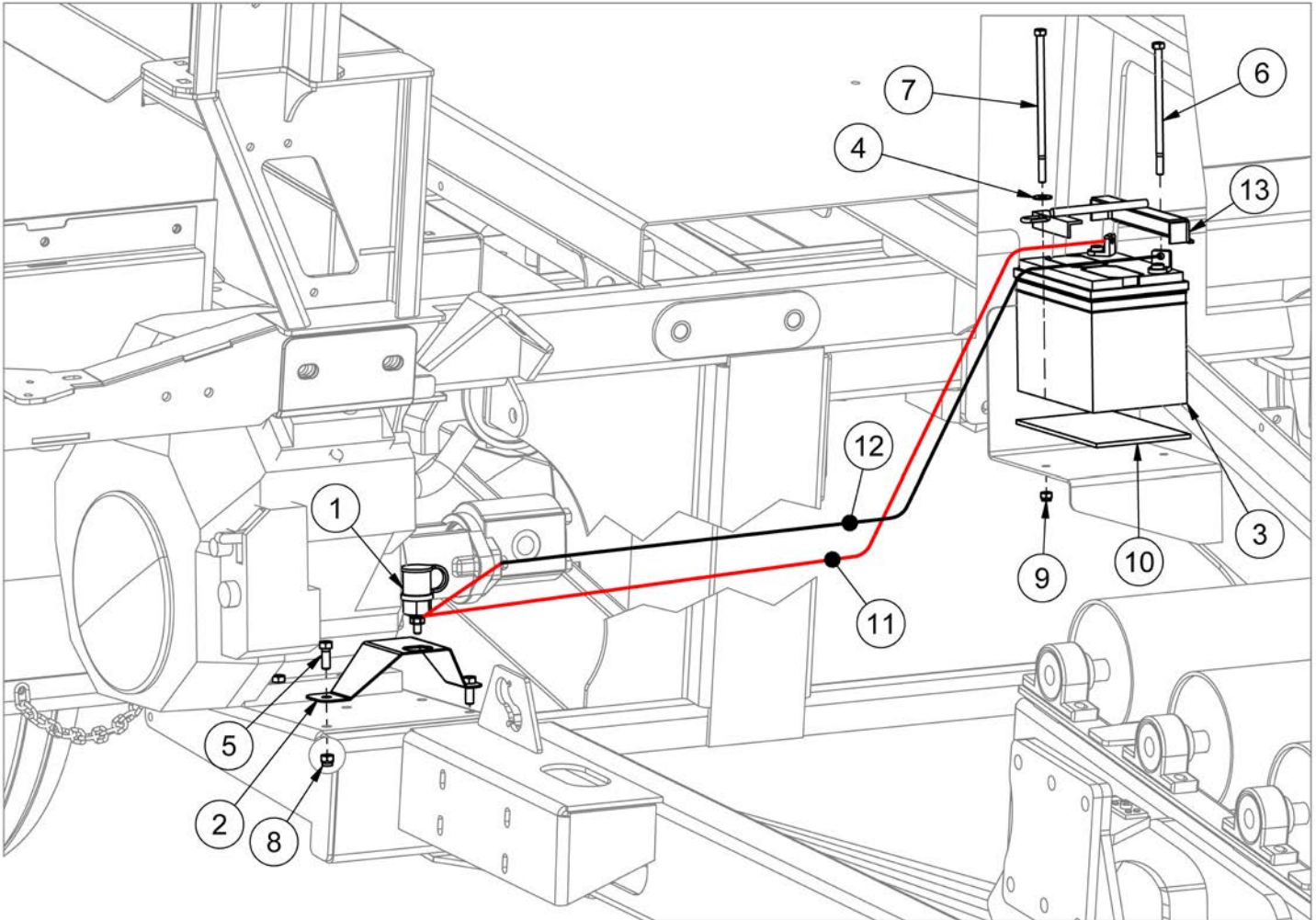
Section 4: Electrical Control Panel



Control Panel

ITEM	QTY	PART NUMBER	DESCRIPTION	NOTE
1	4	HB1/4-20X0.75Z5	Hex Bolt 1/4-20x3/4 Grade 5 Zinc Plated Hex Cap Screw	
2	4	LN1/4-20NCZ5	LN 1/4-20 Zinc Plated Nylon Insert Lock Nut	
3	1	TLCONTROLPANEL	Control Panel	Items 4-18
4	1	25674	LED Light	
5	1	25762	On/Off Switch	
6	1	25763	Emergency Stop Button	
7	1	44917	Bale Count Screen	
8	1	44918	Bale Count Screen Gasket	
9	5	TL500-100-221	Control Relay	
10	1	TL550-100-075	Rotate Switch	
11	1	TL550-100-076	Man/Auto Switch	
12	2	TL550-100-077	Steering Switch	
13	6	TL550-100-086	PVC Wire Holder	
14	26	TL550-150-084	DIN Rail Terminal Block	
15	2	TL550-150-085	Diode 1N5406 3amp 600V	
16	5	TL5X2-500-158	11 Pin Relay Base	
17	1	TL550-100-079	15 AMP Fuse	
18	1	TL550-150-083	DIN Rail Fuse Holder	

Battery

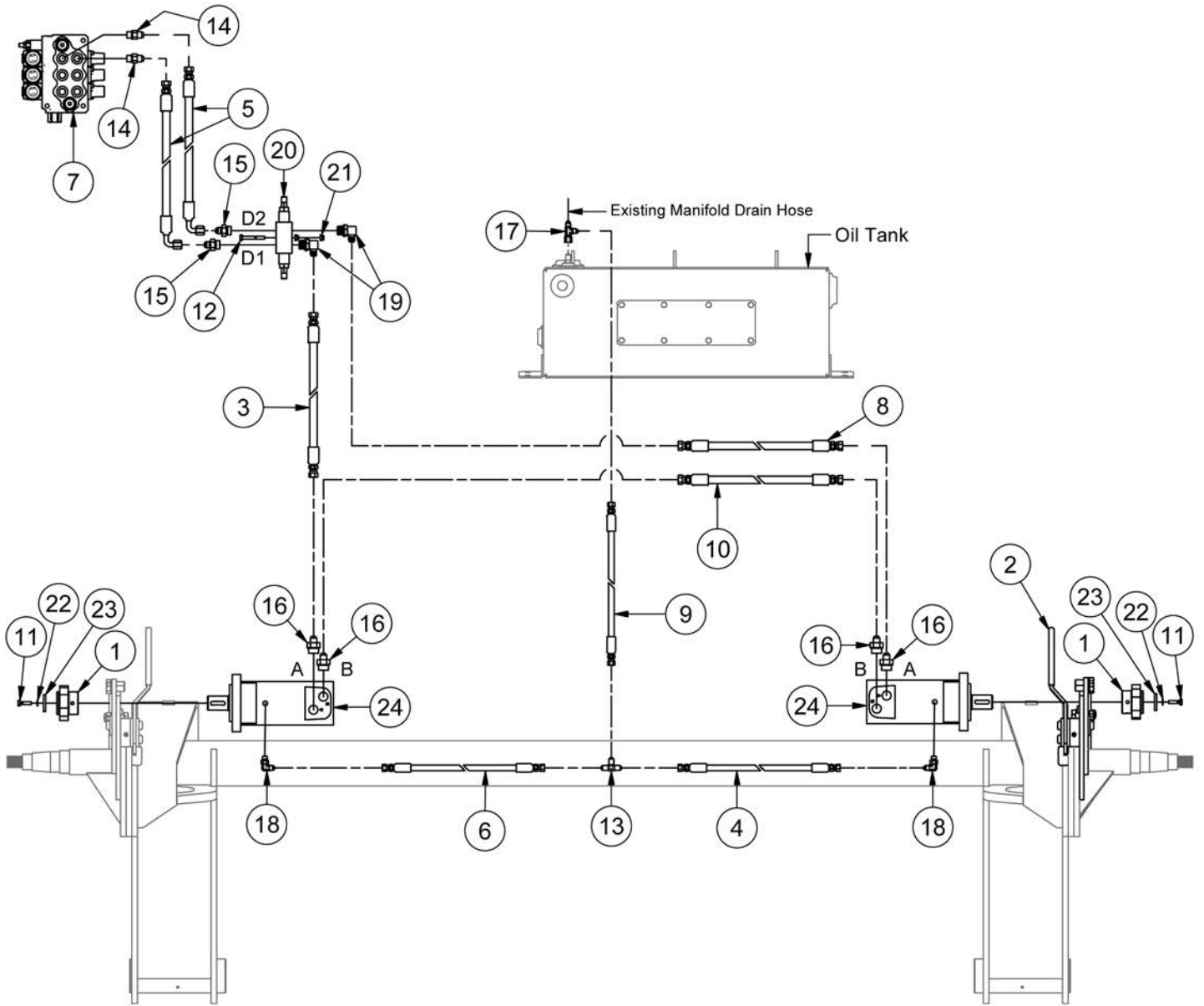


ITEM	QTY	PART NUMBER	DESCRIPTION
1	1	30873	Insulated Jumper Terminal
2	1	31383	Insulated Jumper Mount
3	1	45924	SP-40 Battery
4	1	FW 5/16	Flatwasher - 5/16" Zinc Plated USS
5	2	HB3/8-16X1Z5	Hex Bolt 3/8-16x1 Grade 5 Zinc Plated Hex Cap Screw
6	1	HB5/16-18X6Z5	Hex Bolt 5/16-18x6 Grade 5 Zinc Plated Hex Cap Screw
7	1	HB5/16-18X7Z5	Hex Bolt 5/16-18x7 Grade 5 Zinc Plated Hex Cap Screw
8	2	LN3/8-16NCZ5	LN 3/8-16 Zinc Plated Nylon Insert Lock Nut
9	2	LN5/16-18NCZ5	LN 5/16-18 Zinc Plated Nylon Insert Lock Nut
10	1	TL5X2-007-101	Rubber Battery Pad
11	1	TL5X2-500-159	Red Battery Cable
12	1	TL5X2-500-160	Black Battery Cable
13	1	TL500-301-221	Battery Hold-Down

Intentionally Left Blank

Section 5: Options

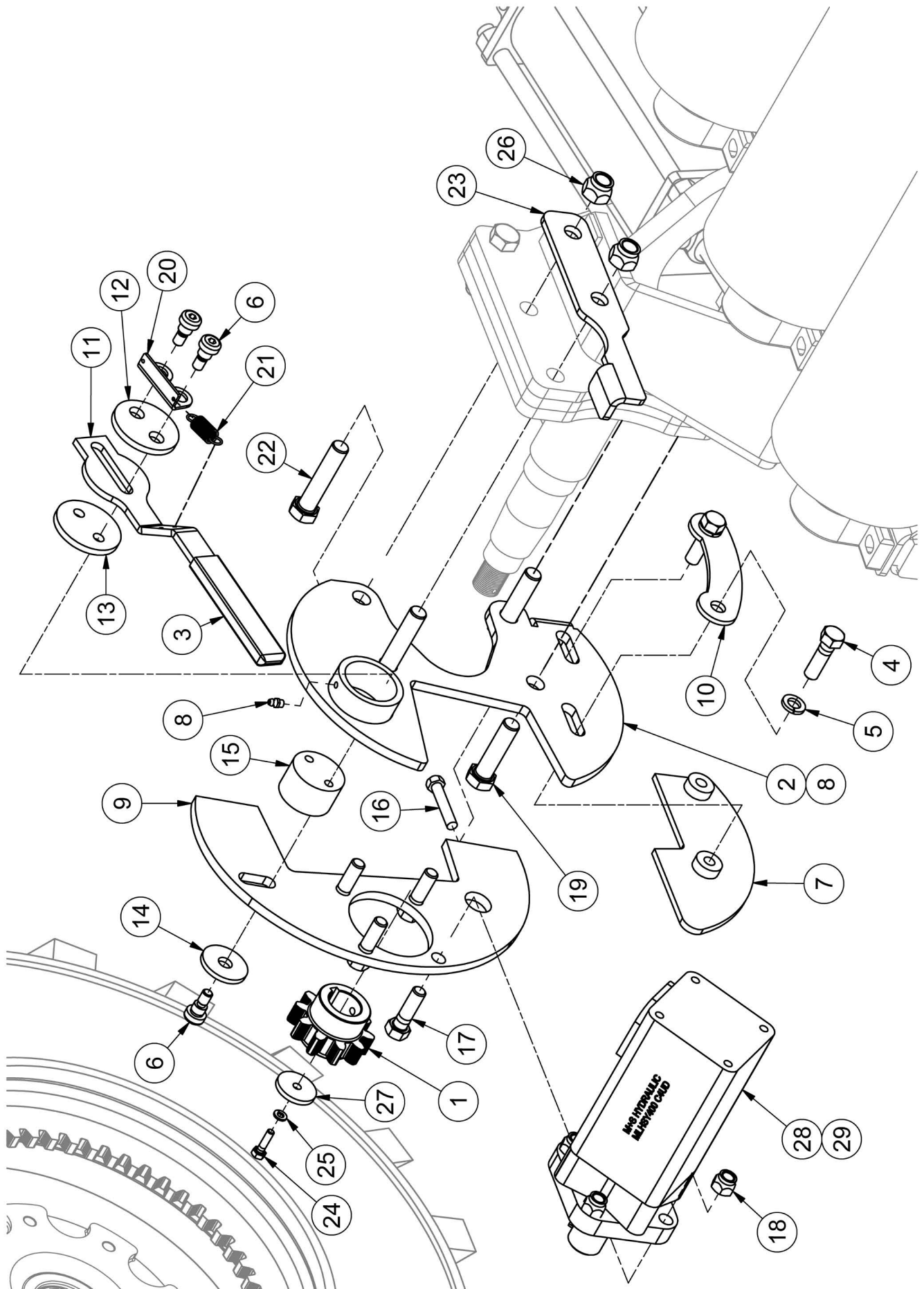
TLHPDD70 - Dual Power Drive



TLHPDD70 - Dual Power Drive

ITEM	QTY	PART NUMBER	DESCRIPTION
1	2	28942	Power Drive Sprocket
2	1	28949	Right Power Drive Bracket Assembly
3	1	31718	Hose - HH140- 6AT1(6FJX-6FJX) HCL 140"
4	1	38752	Hose - HH95 - 4AT1(4FJX-4FJX) HCL 95"
5	2	41593	Hose - HH85- 6AT1(6FJXH-6FJX90S) HCL 85"
6	1	43868	Hose - HH45 - 4AT1(4FJXH,4FJXH) HCL 45"
7	1	47359	3 Spool Valve- SD5
8	1	47574	Hose - HH212- 6AT1(6FJXH-6FJXH) HCL 212"
9	1	48320	Hose - HH140- 4ATI(4FJX-4FJX) HCL 140"
10	1	48321	Hose - HH147- 6AT1(6FJXH-6FJXH) HCL 147"
11	2	HB1/4-20X1Z5	Hex Bolt 1/4-20x1 Grade 5 Zinc Plated Hex Cap Screw
12	2	HB1/4-20X2Z5	Hex Bolt 1/4-20x2 Grade 5 Zinc Plated Hex Cap Screw
13	1	HF 2603-4	Hydraulic Fitting - Male JIC Tee
14	2	HF 6400-6-6	Hydraulic Fitting - Male JIC - Male ORB
15	2	HF 6400-6-8	Hyd Fitting -Male JIC - Male ORB
16	4	HF 6400-6-10	Hydraulic Fitting - Male JIC - Male ORB
17	1	HF 6602-4-4-4	Hyd. Fitting Run Tee M-JIC/F-JIC-M-JIC
18	2	HF 6801-4-4	Hydraulic Fitting - 90° O-Ring to JIC
19	2	HF 6801-6-8	Hyd Fitting - Male JIC - Male ORB 90°
20	1	LA-SB2000RV	Relief Valves
21	2	LN1/4-20NCZ5	LN 1/4-20 Zinc Plated Nylon Insert Lock Nut
22	2	LW 1/4	LW - 1/4" Zinc Plated Medium Split
23	2	TL552404	Hoop Motor Plate
24	2	VAL MLHSY400	Complete Motor - MLHSY400C4UD

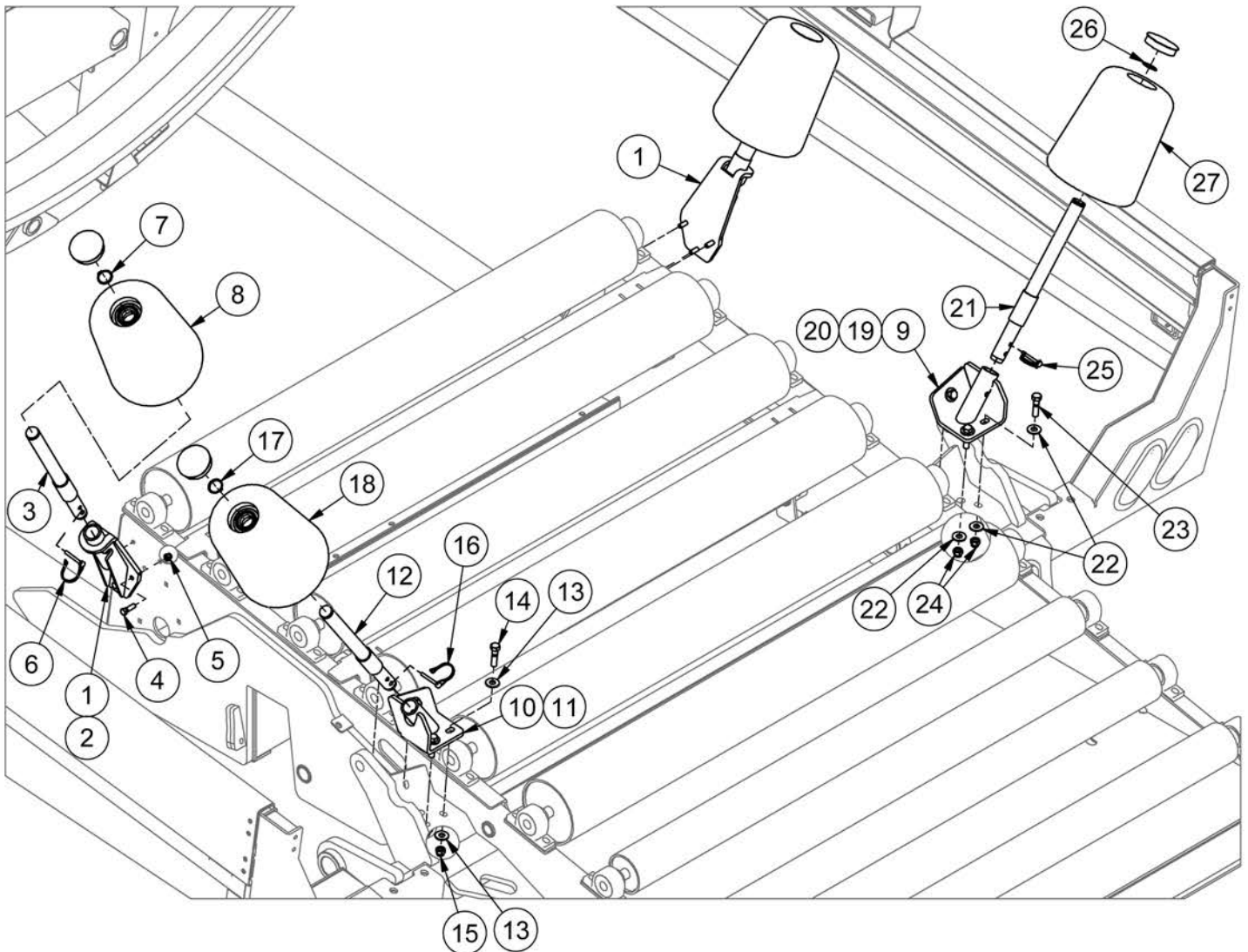
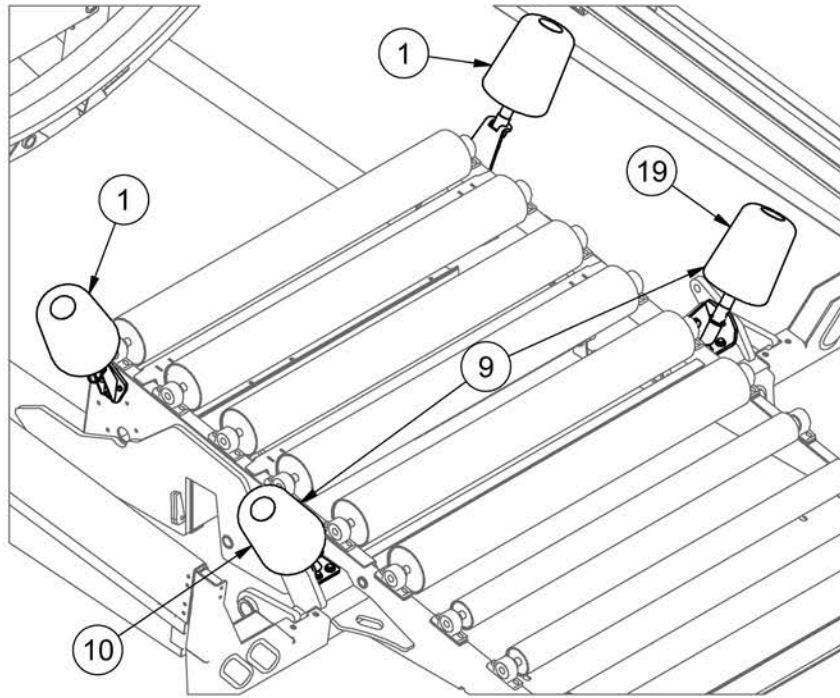
Dual Power Drive Bracket



Dual Power Drive Bracket

ITEM	QTY	PART NUMBER	DESCRIPTION	NOTE
1	1	28942	Powerdrive Sprocket	
2	1	49424	Right Powerdrive Assembly	Items 3-21
3	1	22707	Rubber Handle for 3/8 X 1 Flat Bar	
4	2	HB 1/2-13X1.75 Z5	Hex Bolt 1/2-13x1 3/4 Grade 5 Zinc Plated Hex Cap Screw	
5	2	LW 1/2	LW -1/2" Zinc Plated Medium Split	
6	2	SHSS1/2X3/8X3/8-16Z	Socket Head Shoulder Screws - 1/2 Shldr x 3/8 x 3/8-16	
7	1	TLWHEEL30LEFT	Left Powerdrive Part	
8	1	TLWHEEL3109	Right Powerdrive HD Bracket	
9	1	WHEEL1108	Powerdrive Motor Mount	
10	1	WHEEL14	Powerdrive Part	
11	1	WHEEL2011	Powerdrive Handle	
12	1	WHEEL2012	Outside Handle Washer	
13	1	WHEEL20121	Inside Handle Washer	
14	1	WHEEL2013	Inside Cam Washer	
15	1	WHEEL9	Eccentric	
16	1	HB3/8-16X2.0TCZ5	3/8"-16 x 2" SAE J429 Grade 5 Zinc Finish Steel Tap Bolt	
17	4	HB1/2-13X1.75Z5	Hex Bolt 1/2-13x1 3/4 Grade 5 Zinc Plated Hex Cap Screw	
18	4	LN1/2-13NCZ5	LN 1/2-13 Zinc Plated Nylon Insert Lock Nut	
19	2	HB5/8-18X2.5YZ8	Hex Bolt 5/8-18x2 1/2 Grade 8 Zinc Hex Cap Screw	
20	1	49400	Power Drive Flange Washer	
21	1	TL500-100-062	Extension Spring	
22	2	HB5/8-18X3YZ8	Hex Bolt 5/8-18x3 Grade 8 Zinc Hex Cap Screw	
23	1	47485	Right Side Handle Stop	
24	1	HB1/4-20X1Z5	Hex Bolt 1/4-20x1 Grade 5 Zinc Plated Hex Cap Screw	
25	1	LW 1/4	LW - 1/4" Zinc Plated Medium Split	
26	4	LN5/8-18NFZ8	5/8-18 Gr.8 Zinc Nylon Lock Nut	
27	1	TL552404	Hoop Motor Plate	
28	1	VAL MLHSY400	Complete Motor - MLHSY400C4UD	
29	1	SKMLHSY-U/D	Motor Seal Kit	

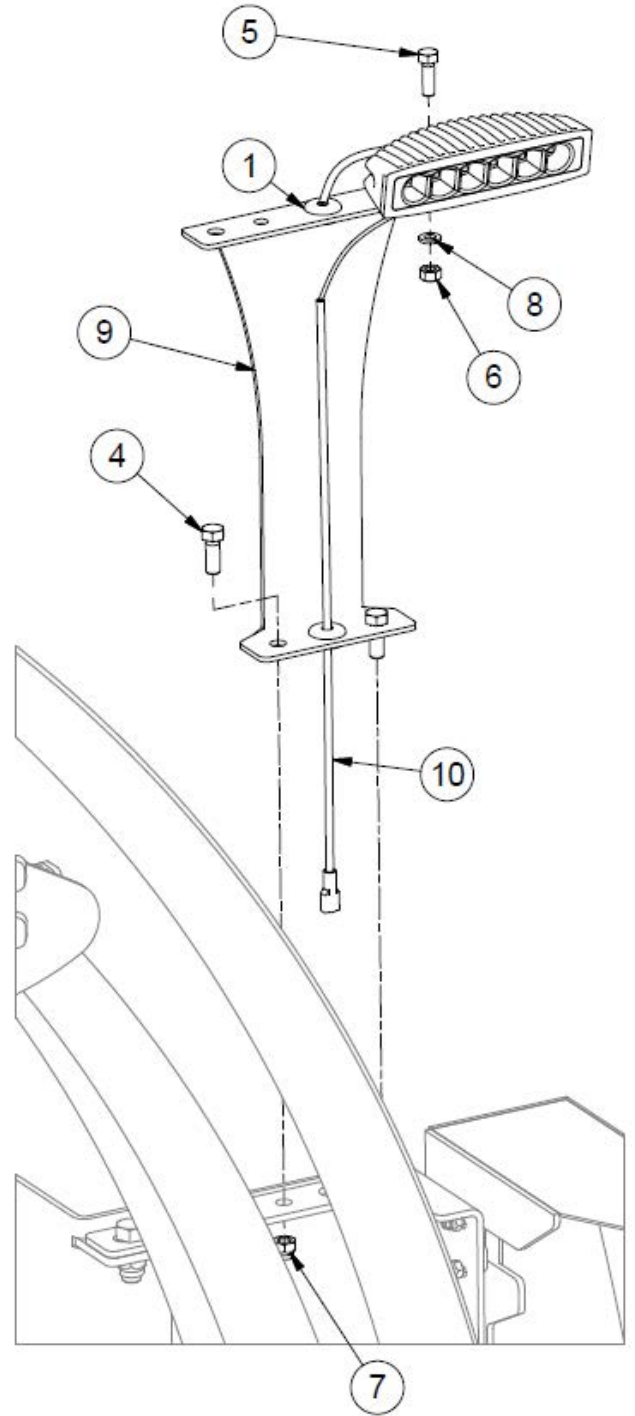
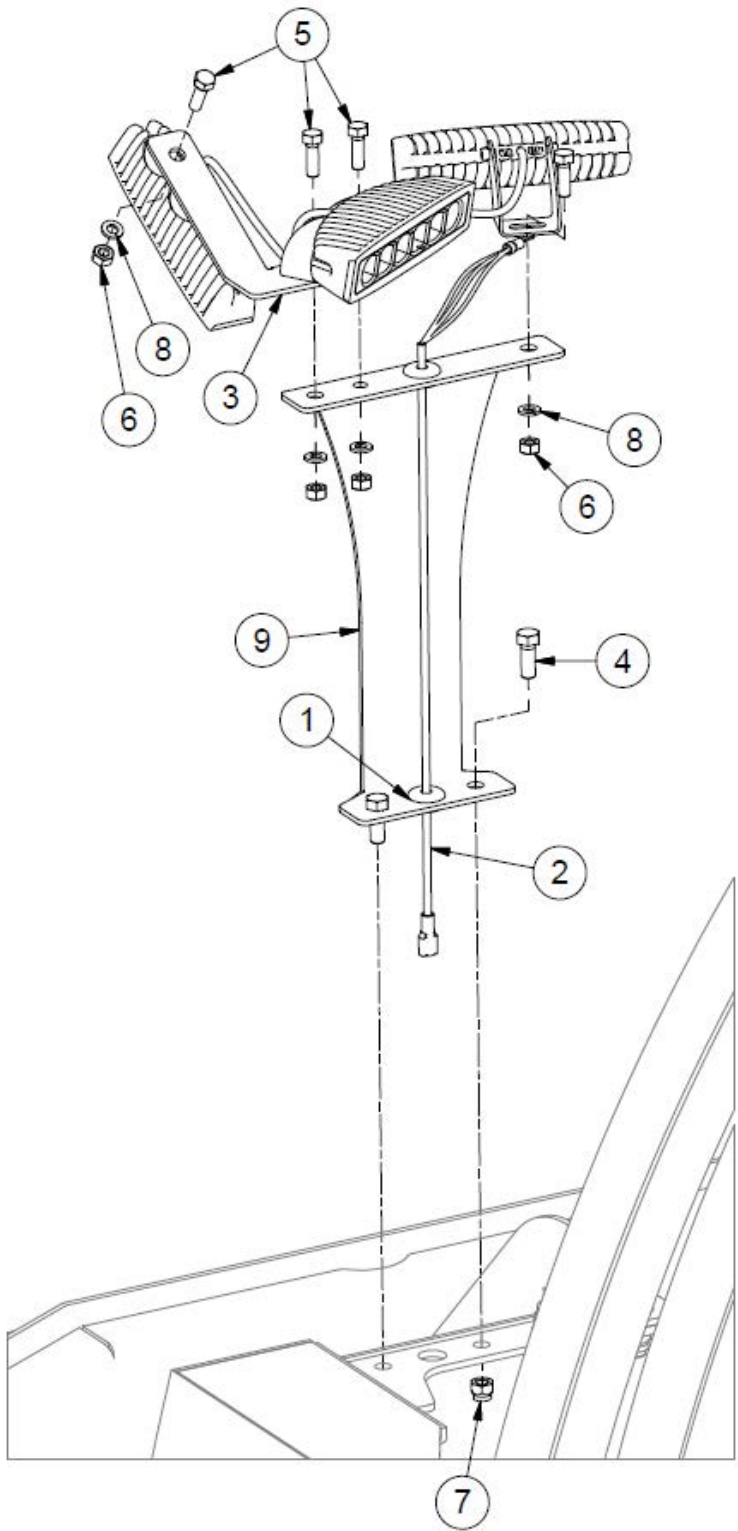
TLGR70 - Optional Guide Rollers



TLGR70 - Optional Guide Rollers

ITEM	QTY	PART NUMBER	DESCRIPTION	NOTE
1	2	TLGR70F	TL70 Front Guide Roller Kit	Incl. Items 2-7
2	2	47285	Front Guide Roller Pocket	
3	2	47294	Guide Roller Shaft	
4	3	HB3/8-16X1.25Z5	Hex Bolt 3/8-16x1 1/4 Grade 5 Zinc Plated Hex Cap Screw	
5	3	LN3/8-16NCZ5	LN 3/8-16 Zinc Plated Nylon Insert Lock Nut	
6	1	LP B1995	Pin - Lock Pin 1/4 X 1 3/4	
7	1	RR 1.25	Retaining Ring-1 1/4- External	
8	1	TL550-301-238	Roller c/w Bearings & End Cap	
9	1	TLGR70	TL70 Optional Rear Guide Roller Kit	Incl. Kits 10&19
10	1	TLGR70RL	TL70 Left Rear Guide Roller Kit	Incl. Items 11-18
11	1	47289	Rear Left Guide Roller Pocket	
12	1	47294	Guide Roller Shaft	
13	6	FW 1/2	Flatwasher - 1/2" Zinc Plated USS	
14	3	HB1/2-13X2Z5	Hex Bolt 1/2-13x2 Grade 5 Zinc Plated Hex Cap Screw	
15	3	LN1/2-13NCZ5	LN 1/2-13 Zinc Plated Nylon Insert Lock Nut	
16	1	LP B1995	Pin - Lock Pin 1/4 X 1 3/4	
17	1	RR 1.25	Retaining Ring-1 1/4- External	
18	1	TL550-301-238	Roller c/w Bearings & End Cap	
19	1	TLGR70RR	TL70 Right Rear Guide Roller Kit	Incl. Items 20-27
20	1	47292	Rear Right Guide Roller Pocket	
21	1	47294	Guide Roller Shaft	
22	6	FW 1/2	Flatwasher - 1/2" Zinc Plated USS	
23	3	HB1/2-13X2Z5	Hex Bolt 1/2-13x2 Grade 5 Zinc Plated Hex Cap Screw	
24	3	LN1/2-13NCZ5	LN 1/2-13 Zinc Plated Nylon Insert Lock Nut	
25	1	LP B1995	Pin - Lock Pin 1/4 X 1 3/4	
26	1	RR 1.25	Retaining Ring-1 1/4- External	
27	1	TL550-301-238	Roller c/w Bearings & End Cap	

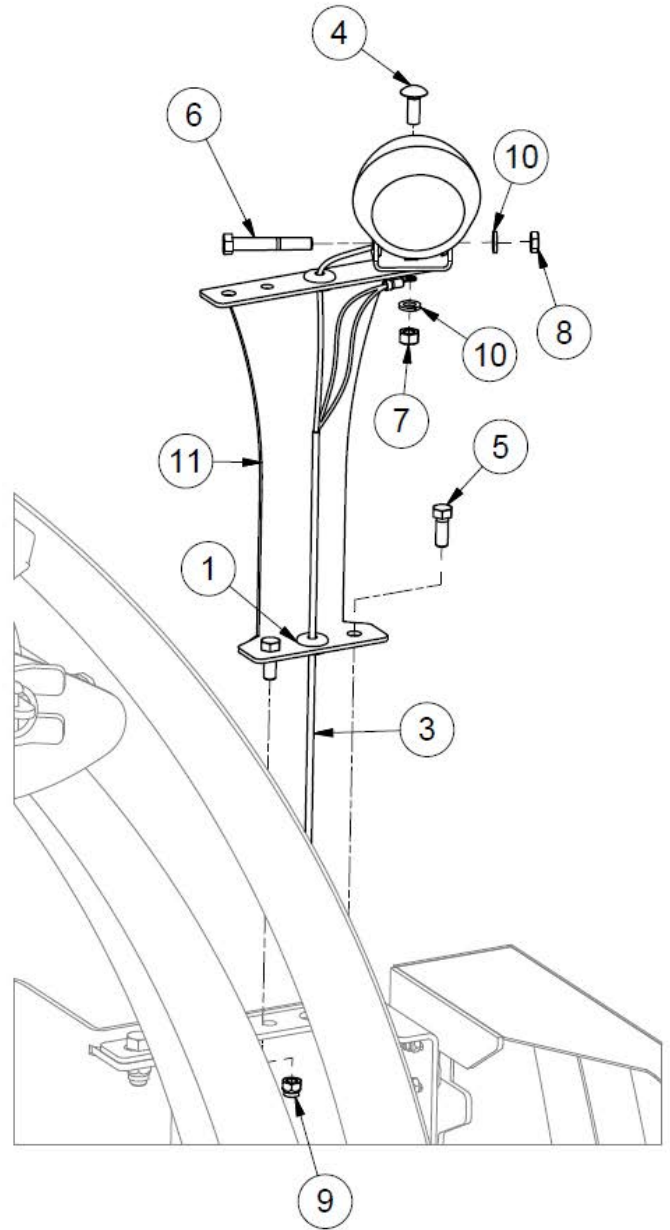
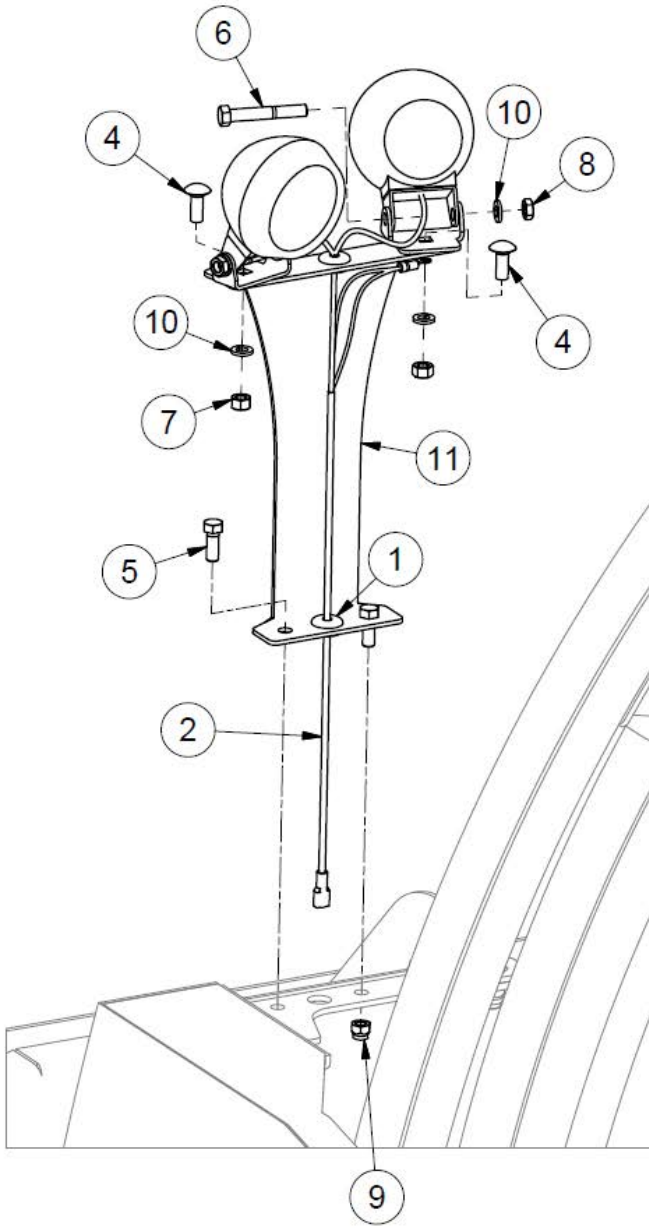
TLNWLKLED - LED Night Light Kit



TLNWLKLED - LED Night Light Kit

ITEM	QTY	PART NUMBER	DESCRIPTION	NOTE
1	4	30862	Grommet for Night Lights	
2	1	43952	TLNWLKLED Triple Wiring Harness	Inc Lights
3	1	44864	Control Box Light Bracket	
4	4	HB 3/8-16X1 Z5	Hex Bolt 3/8-16x1 Grade 5 Zinc Plated Hex Cap Screw	
5	5	HB 5/16-18X1 Z5	Hex Bolt 5/16-18x1 Grade 5 Zinc Plated Hex Cap Screw	
6	5	HN 5/16	Hex Nut 5/16"-18 Grade 5 Zinc Plated Finished	
7	4	LN 3/8 N	LN 3/8-16 Zinc Plated Nylon Insert Lock Nut	
8	5	LW 5/16	LW - 5/16" Zinc Plated Medium Split	
9	2	TL5X2-100-201	Light Bracket	
10	1	43953	TLNWLKLED Single Wiring Harness	Inc Light

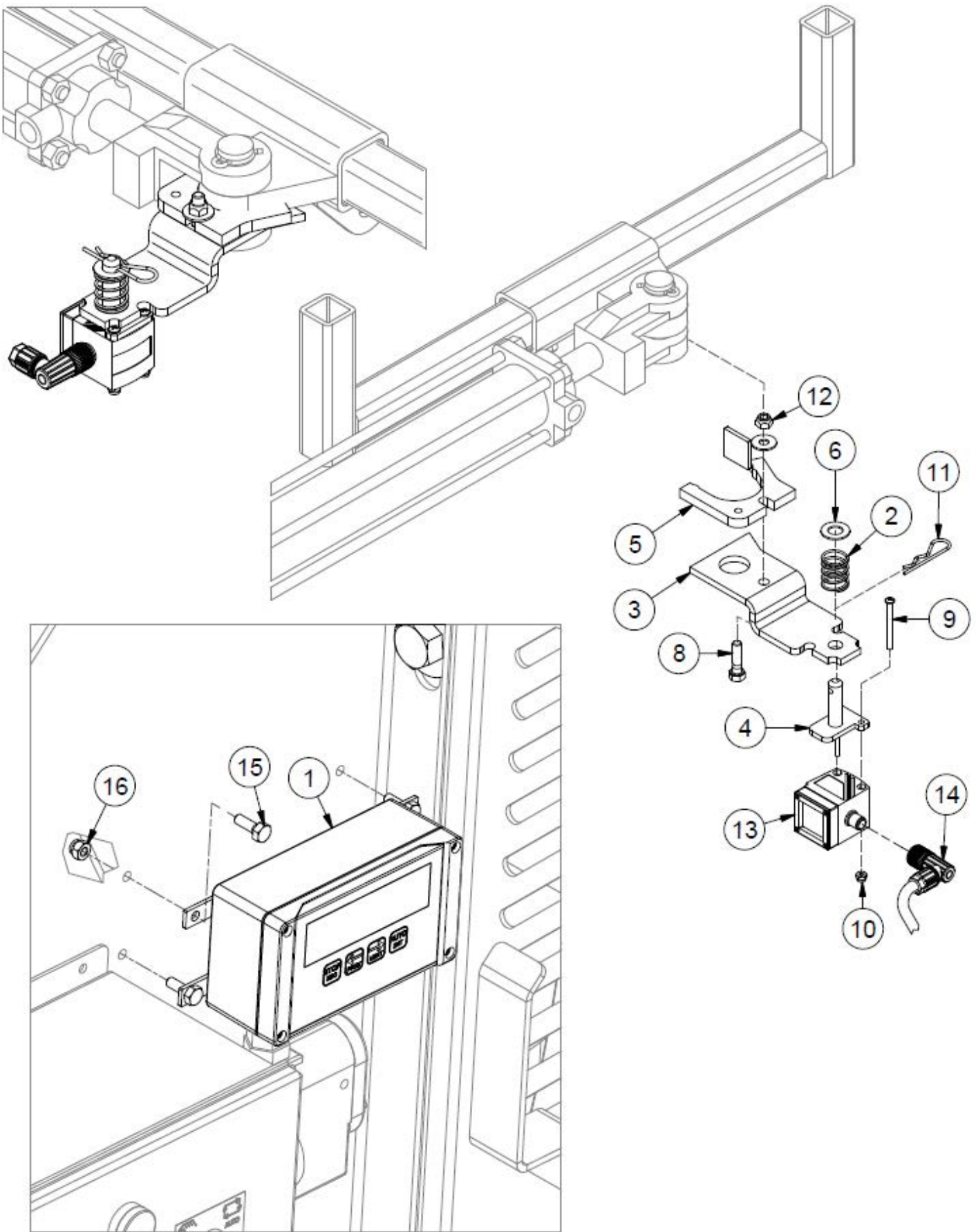
TLNWLK - Halogen Night Light Kit



TLNWLK - Halogen Night Light Kit

ITEM	QTY	PARTNUMBER	DESCRIPTION	NOTE
1	4	30862	Grommet for Night Lights	
2	1	43950	TLNWLK Twin Harness	Inc Lights
3	1	43951	TLNWLK Single Harness	Inc Light
4	3	CB 3/8-16 X1 Z5	Carriage Bolt - 3/8-16 x 1" Grade 5 Zinc	
5	4	HB 3/8-16X1 Z5	Hex Bolt 3/8-16x1 Grade 5 Zinc Plated Hex Cap Screw	
6	3	HB 3/8-24X2.5 Z5	Hex Bolt 3/8-24x2 1/2 Grade 5 Zinc Plated Hex Cap Screw	
7	3	HN 3/8	Hex Nut 3/8"-16 Grade 5 Zinc Plated Finished	
8	3	HN 3/8 JAM	Hex Nut - 3/8-24 Zinc Plated Hex Jam Nut	
9	4	LN 3/8 N	LN 3/8-16 Zinc Plated Nylon Insert Lock Nut	
10	6	LW 3/8	LW - 3/8" Zinc Plated Medium Split	
11	2	TL5X2-100-201	Light Bracket	

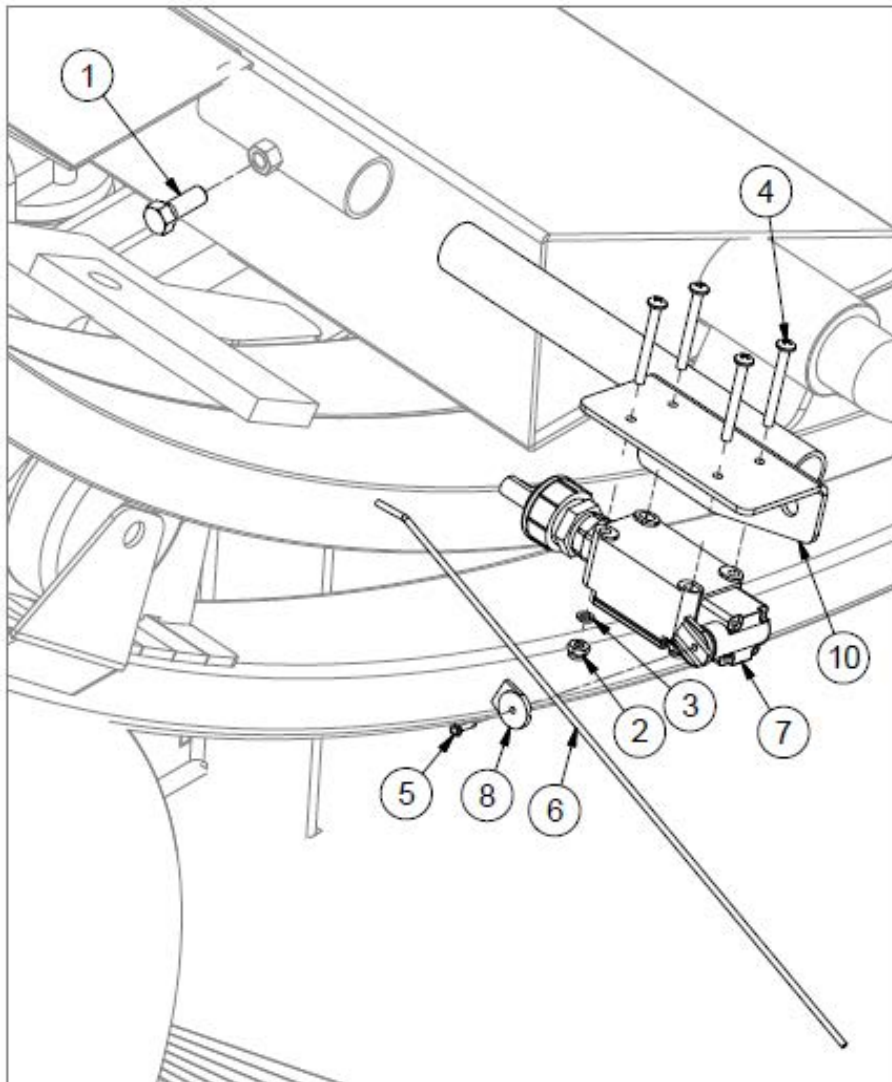
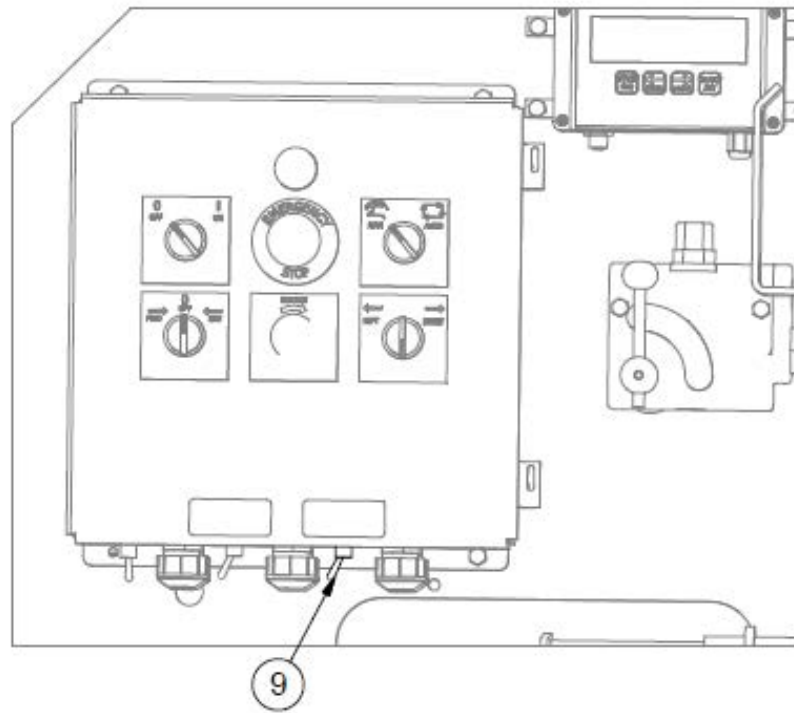
TLGS - Laser Guidance System



TLGs - Laser Guidance System

ITEM	QTY	PART NUMBER	DESCRIPTION
1	1	31380	Guidance System Controller
2	1	27566	Spring Compression .97 OD x 2.0 Long
3	1	39367	Laser Pin Bracket
4	1	39372	Pivot Bracket
5	1	40846	Stiffener Plate
6	1	FW 1/2	Flatwasher - 1/2" Zinc Plated USS (1096)
7	1	FW 5/16	Flatwasher - 5/16" Zinc Plated USS (3840)
8	1	HB 5/16-18X1.1/4 Z5	Hex Bolt - 5/16"-18 x 1 1/4" Grade 5 Zinc Plated Hex Cap Screw
9	2	HB 8-32X32 Z5	Hex Bolt - #8-32 x 2 Zinc Finish Flat Socket Cap Screw
10	2	HN 8	Hex Nut #8-32 Zinc
11	1	HP .125 X 1.5	Hair Pin
12	1	LN 5/16	Center Locknuts
13	1	39387	Wrapper Guiding System Sensor
14	1	40521	Laser Guidance System Power Cable
15	4	HB 1/4-20X0.75 Z5	Hex Bolt 1/4-20x3/4 Grade 5 Zinc Plated Hex Cap Screw
16	4	LN 1/4 N	LN 1/4-20 Zinc Plated Nylon Insert Lock Nut

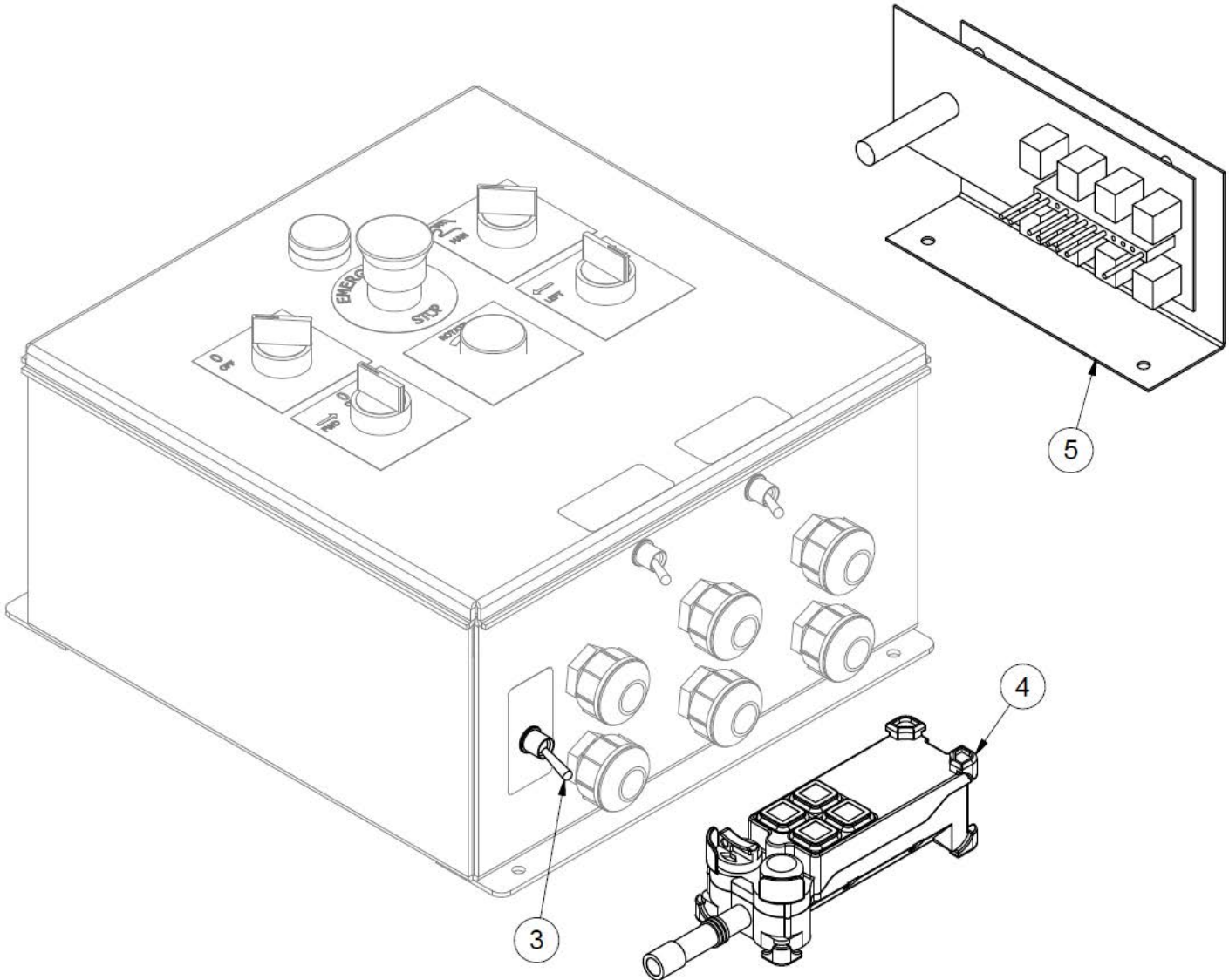
TLPSSK - Plastic Sensor Shutdown Kit



TLPSSK - Plastic Sensor Shutdown Kit

ITEM	QTY	PART NUMBER	DESCRIPTION
1	1	HB 3/8-16X1 Z5	Hex Bolt 3/8-16x1 Grade 5 Zinc Plated Hex Cap Screw
2	4	LN #10 F	Center Locknuts (3/16-32) 2-Way Fine Thread
3	4	LW No.10	LW - 3/16" Zinc Plated Medium Split
4	4	MS #10X32X1.75	Machine Screw - (Inch)
5	1	MS 4 X 0.5 SDS	Machine Screw - 1/8 x 1/2 Hex Washer Head Self Drilling Screw Zinc
6	1	30895	Film Sensor Wire
7	1	TL109-100-348	Film Sensor Limit Switch
8	1	TL550-100-082	Wire Arm Clamp
9	1	TL550-200-235	Toggle Switch
10	1	TLFSB2007	Film Sensor Mounting Bracket

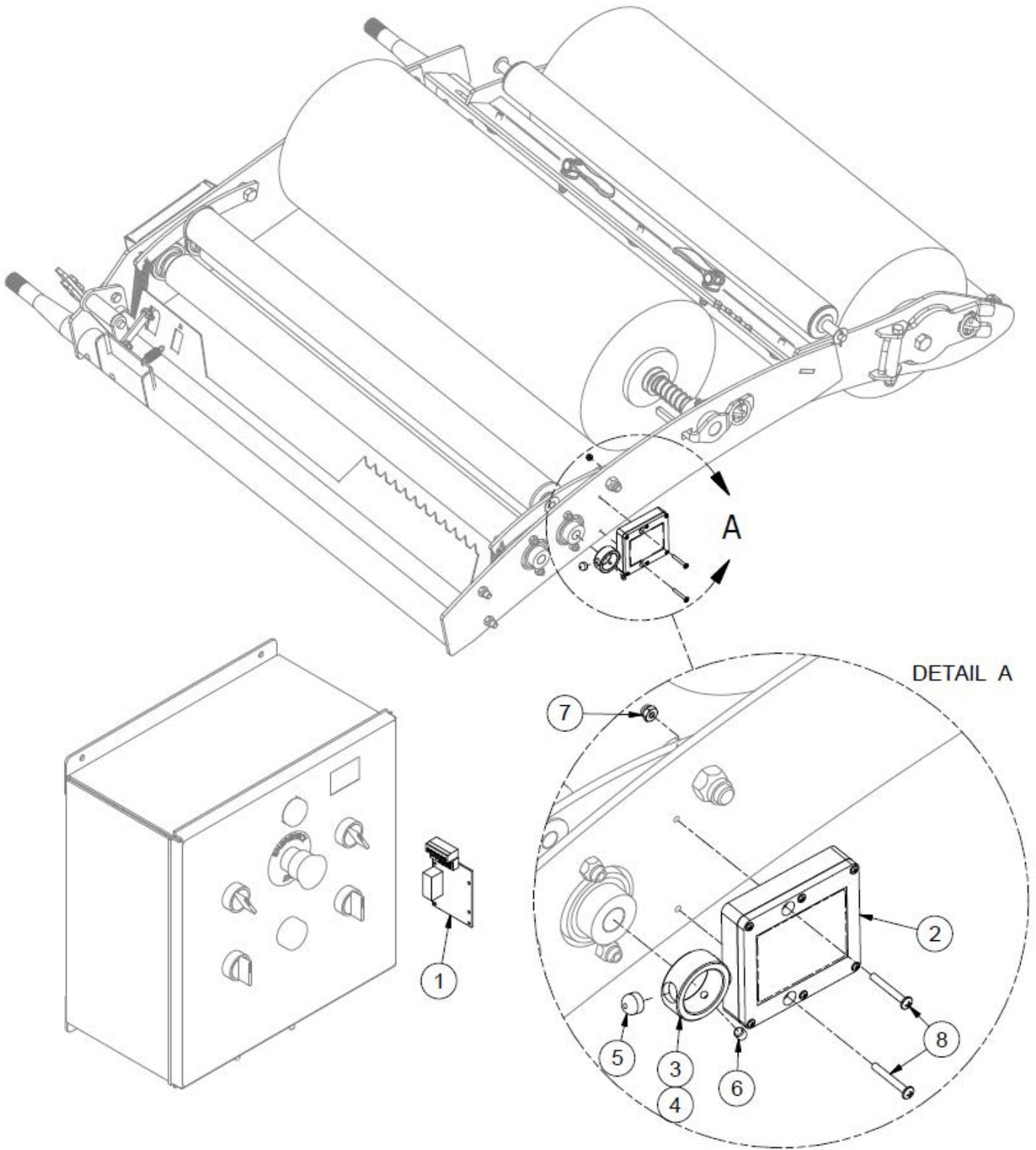
TLRSSKX2HD(E) - Remote Control Kits



ITEM	QTY	PART NUMBER	DESCRIPTION	NOTE
1	1	TLRSSKX2HD	Remote Steering & Shutdown Kit X2 Series	Items 4-5
2	1	TLRSSKX2HDE	Remote Steering & Shutdown Kit X2 Series (Includes Engine Start)	Items 3-5
3	1	31727	Remote Start Stop Kit Wiring Harness for Balewrapper	
4	1	TLHHCX2HD	Hand Held Remote (Orange)	
5	1	TLR SSKX2HDL	Receiver Unit	

Intentionally Left Blank

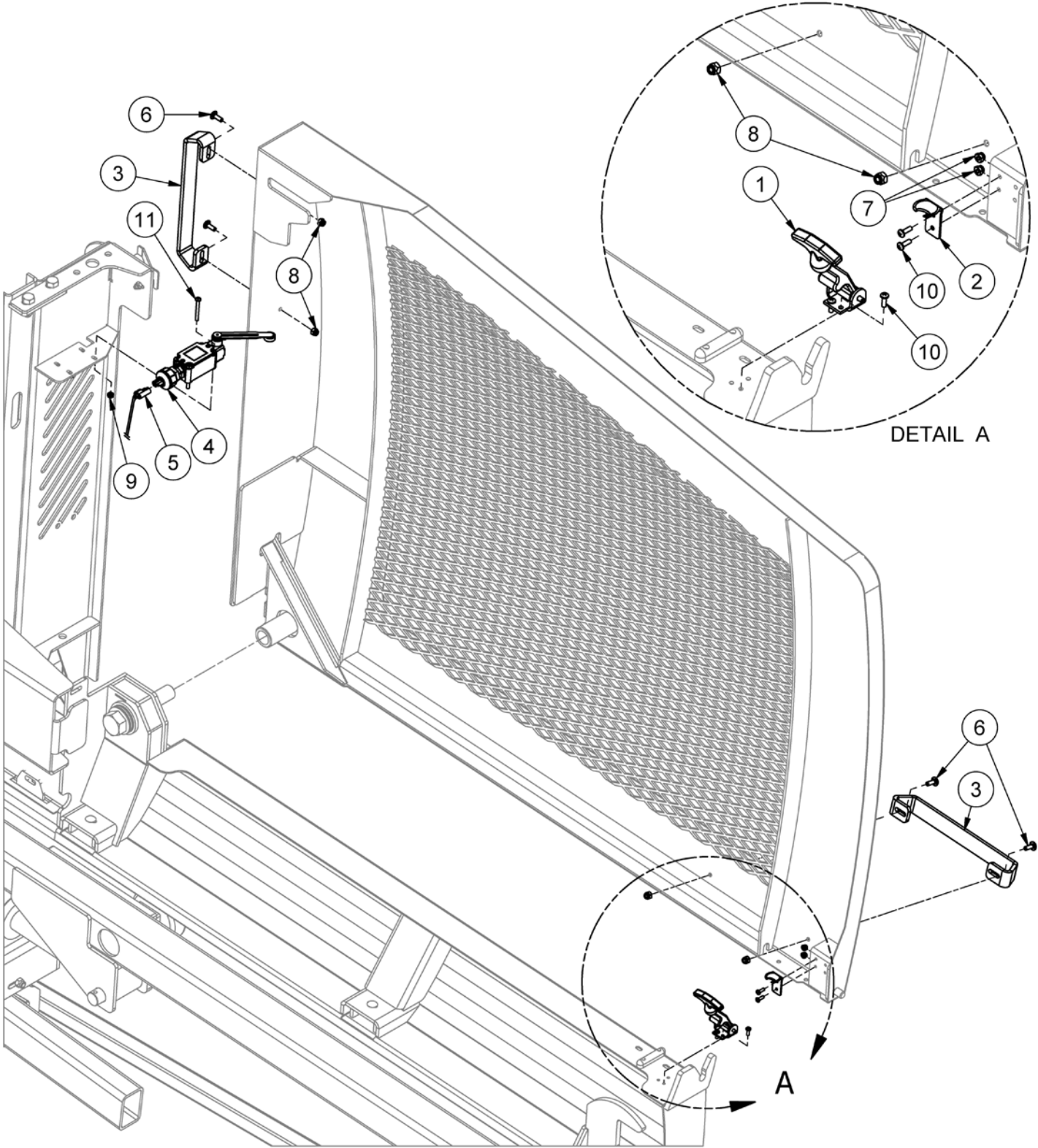
TLPSSKW - Plastic Sensor Shutdown Kit



TLPSSKW - Plastic Sensor Shutdown Kit

ITEM	QTY	PART NUMBER	DESCRIPTION	NOTE
1	1	41969	Film Sensor Reciever Board	
2	2	41970	Film Sensor Transmitter Board	
3	2	42697	Film Sensor Bushing Assembly	Inc Items 4 - 6
4	2	42698	Film Sensor Bushing	
5	4	42699	1/2" Rare Earth Magnet	
6	2	SS 14X14	Allan Head Set Screw, Cup Point Set Screw 1/4-20 x 1/4	
7	2	LN #8 N	LN 3/16-32 Zinc Plated Nylon Insert Lock Nut	
8	2	MS #8X32X1.25	Machine Screw - (Inch)	

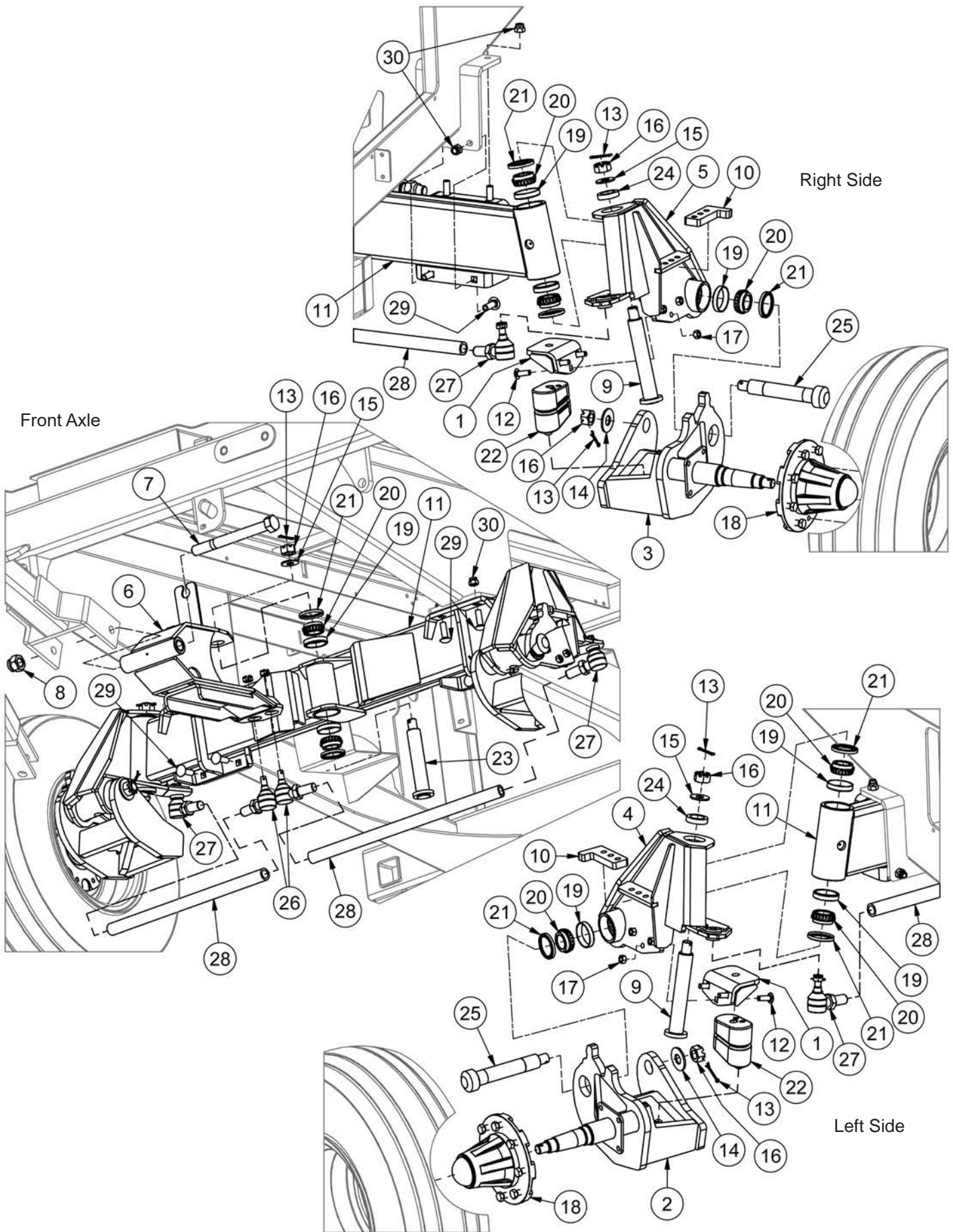
TLOSG - Optional Safety Guard



TLOSG - Optional Safety Guard

ITEM	QTY	PART NUMBER	DESCRIPTION
1	1	38048	Battery Cover Hold Down
2	1	38343	Battery Latch
3	2	44858	Door Handle
4	1	45920	Door Limit Switch
5	1	45949	LSV Right Safety Guard Harness
6	4	CB 1/4-20 X0.75 Z5	Carriage Bolt - 1/4-20 x 3/4" Grade 5 Zinc
7	5	LN #8 N	LN 3/16-32 Zinc Plated Nylon Insert Lock Nut
8	4	LN 1/4 N	LN 1/4-20 Zinc Plated Nylon Insert Lock Nut
9	4	LN 10-24	K-Lok Locknut
10	5	MS #8X32X0.5	Machine Screw - (Inch)
11	4	MS #10X24X1.75	Machine Screw - (Inch)

47501 - Suspension Axle



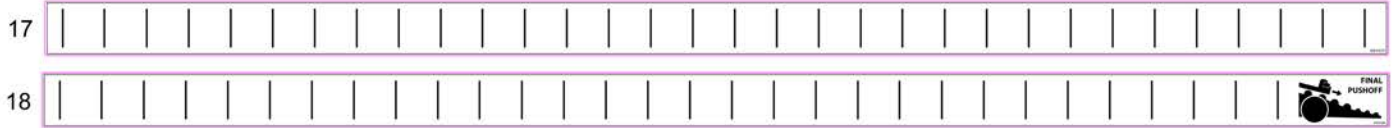
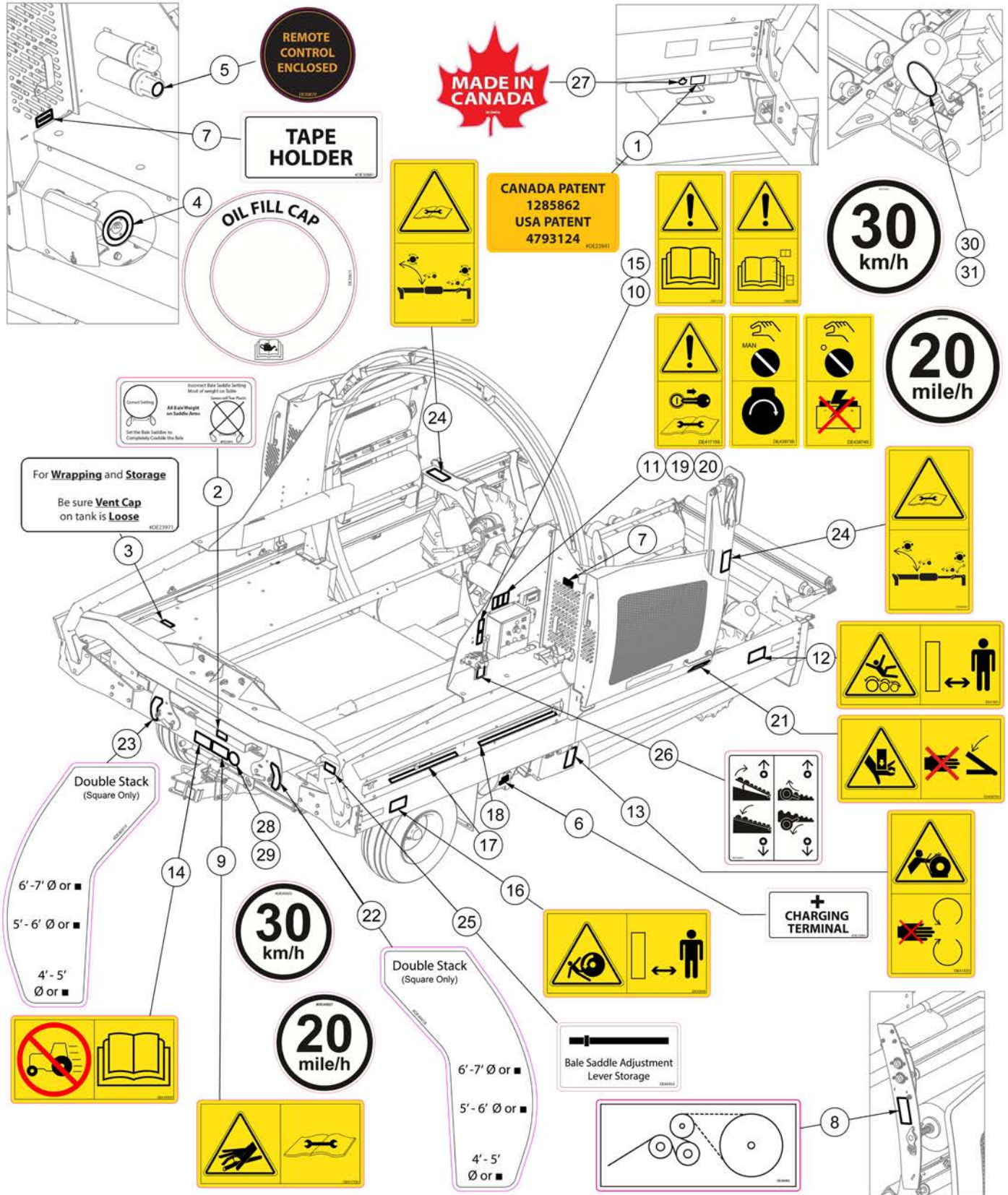
47501 - Suspension Axle

ITEM	QTY	PART NUMBER	DESCRIPTION
1	2	205SP-004	Rubber Spring Top Mount Assembly
2	1	205SP-006	TL70 Left Roadflex Spindle
3	1	205SP-007	TL70 Right Roadflex Spindle
4	1	205SP-008	TL70 Left Roadflex Pivot Frame
5	1	205SP-009	TL70 Right Roadflex Pivot Frame
6	1	48358	TL70 Roadflex Yoke Weldment
7	1	HB1 1/8-7X11Z5	Hex Bolt 1 1/8-7x11 Grade 5 Zinc Plated Hex Cap Screw
8	1	LN1 1/8-7NCZ5	LN 1 1/8-7 Zinc Plated Nylon Insert Lock Nut
9	2	205SP-012	TL70 Roadflex Pivot Pin
10	2	205SP-41	Compression Set Screw
11	1	48357	TL70 Roadflex Axle Weldment
12	6	CB1/2-13X1.5CZ5	Carriage Bolt - 1/2-13 x 1 1/2" Grade 5 Zinc
13	5	CP 3/16 X 2	Pin,Cotter - 3/16" X 2" Zinc Finish Extended Prong
14	2	FW 1.0	Flatwasher - 1" Zinc Plated USS
15	3	FW 3/4	Flatwasher - 3/4" Zinc Plated USS
16	5	HN1-12 UNFCastle	Hex Nut 1"-12 Slotted Plain Finish (NF Castle Nut Bare)
17	6	HN1/2-13CZ5	Hex Nut 1/2"-13 Grade 5 Zinc Plated Finished
18	2	HUB 6500	6500 Hub c/w Parts
19	10	LA-11-1009	Cup (13620)
20	10	LA-11-1010	Cone (13686)
21	10	LA-11-1011	Seal (CR20952)
22	2	LA-11-1721	Timbren Rubber Spring (A00101-6500D)
23	1	LA-22-1055	Timkin Bolt
24	2	LA-22-1529	Spacer Bushing (1.5" ID x 2.25" OD x .5")
25	2	LA-22-1767	Knuckle Pivot Pin
26	2	TL650-111-006	Tie Rod End for 6500 Right Thread
27	2	TL650-111-007	Tie Rod End for 6500 Left Thread
28	2	TL6500SP-02	Steering Rod
29	8	CB5/8-11X2CZ5	Carriage Bolt - 5/8-11 x 2" Grade 5 Zinc
30	8	LN5/8-11NCZ5	LN 5/8-11 Zinc Plated Nylon Insert Lock Nut

Section 6: Decals

Safety Decals (Up to SN 2270L004)

NOTE: Decals not to scale.



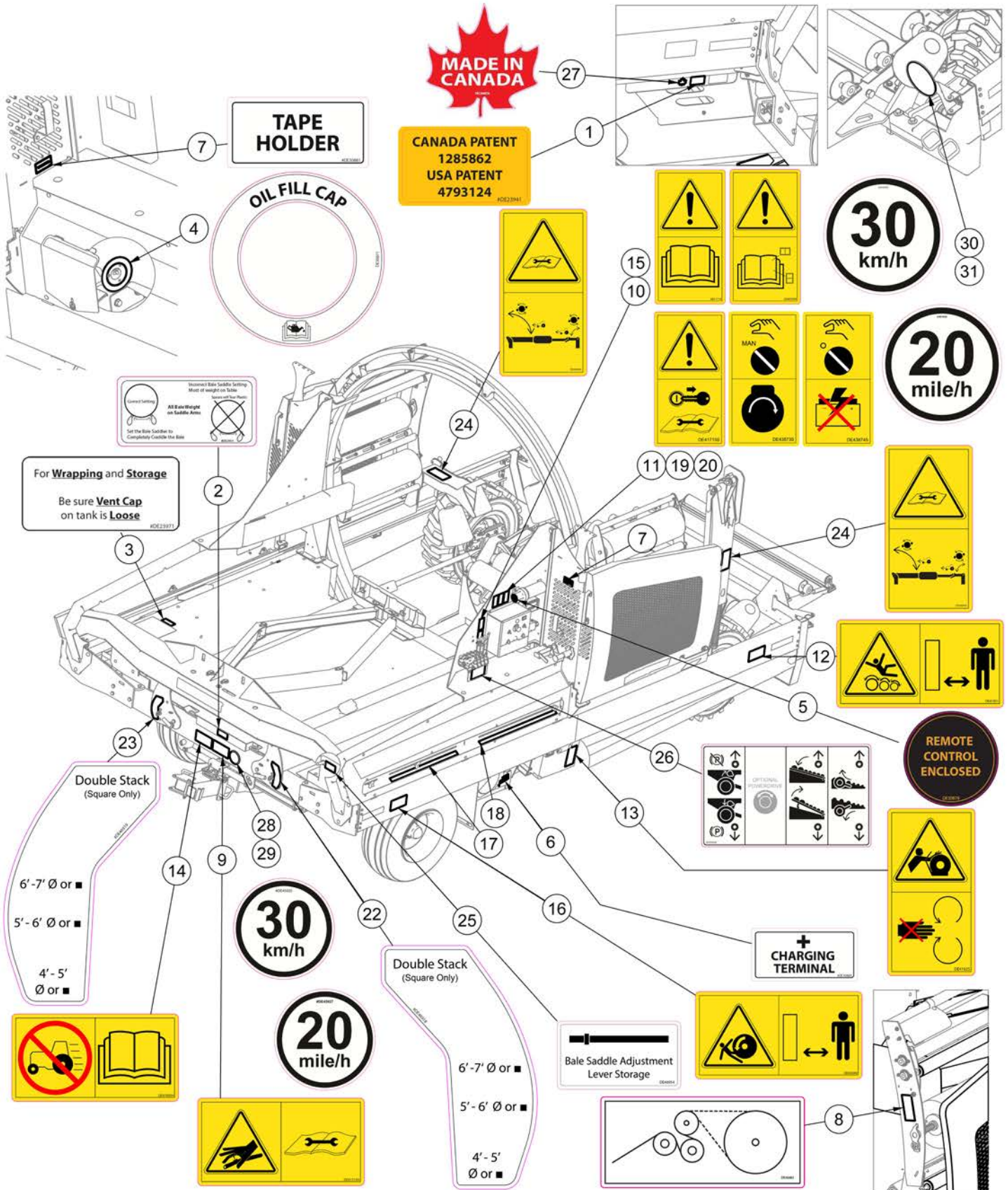
Safety Decals (Up to SN 2270L004)

ITEM	QTY	PART NUMBER	DESCRIPTION	NOTE
	1	DE46940	TL70 Safety Decal Kit	Items 1 - 27
1	1	DE23941	Canada/USA Patent Decal	
2	1	DE23959	Bale Settings Correct and Incorrect	
3	1	DE23971	Wrapping and Storage Decal	
4	1	DE30871	Oil Fill Cap Decal	
5	1	DE30879	Remote Control Enclosed Decal	
6	1	DE30880	Charging Terminal Decal	
7	2	DE30881	Tape Holder Decal	
8	2	DE36082	Plastic Wrap Routing Decal	
9	1	DE41713H	ISO Decal - High Pressure Fluid Horizontal	
10	1	DE41714S	ISO Decal - Read Operator's Manual	
11	1	DE41715S	ISO Decal - Remove Key Before Repair	
12	2	DE41921	ISO Decal - Do Not Stand on Rollers	
13	1	DE41925	ISO Decal - Hoop Wheel Entanglement	
14	1	DE41935H	ISO Decal - Transport Speed Limit	
15	1	DE42784S	ISO Decal - Read OM Decal Section	
16	2	DE43049	ISO Decal - Wheel Crush	
17	1	DE43494	Limit Switch Hoop Start	
18	1	DE43682	Last Pushoff Return Decal	
19	1	DE43873S	ISO Decal - Engine Start in MAN	
20	1	DE43874S	ISO Decal - Panel OFF Before Boosting	
21	2	DE43875H	ISO Decal - Hand Crush	
22	1	DE46918	TL70 RH Bale Saddle Decal	
23	1	DE46919	TL70 LH Bale Saddle Decal	
24	2	DE46949	Dispatch Arm ISO Decal	
25	1	DE46954	Bale Saddle Lever Decal	
26	1	DE46961	Axle - Roller Bed Decal	
27	1	DECANADA	Decal Made In Canada	
28	1	DE45925	Decal - Small SIS 30kmh	Intl Models
29	1	DE45927	Decal - Small SIS 20mph	US Models
30	1	DE45926	Decal - Large SIS 30kph	Intl Models
31	1	DE45928	Decal - Large SIS 20mph	US Models

Safety Decals (SN 2270L005 to Current)



CANADA PATENT
1285862
USA PATENT
4793124



TAPE HOLDER



Increased Bale Saddle Setting Must be Weighted on Saddle Area. Set the Bale Saddle to Completely Cover the Bale.

For Wrapping and Storage
Be sure **Vent Cap** on tank is **Loose**

Double Stack (Square Only)
6'-7' Ø or ■
5'-6' Ø or ■
4'-5' Ø or ■

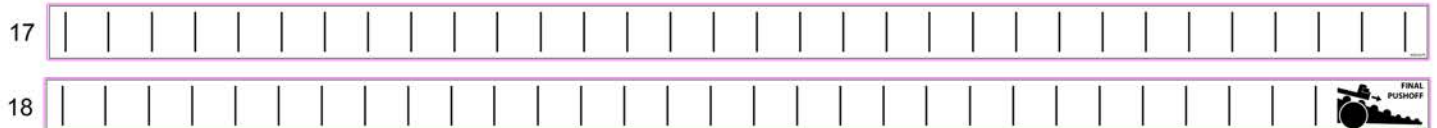


Double Stack (Square Only)
6'-7' Ø or ■
5'-6' Ø or ■
4'-5' Ø or ■

Bale Saddle Adjustment Lever Storage

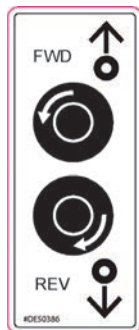
CHARGING TERMINAL

REMOTE CONTROL ENCLOSED



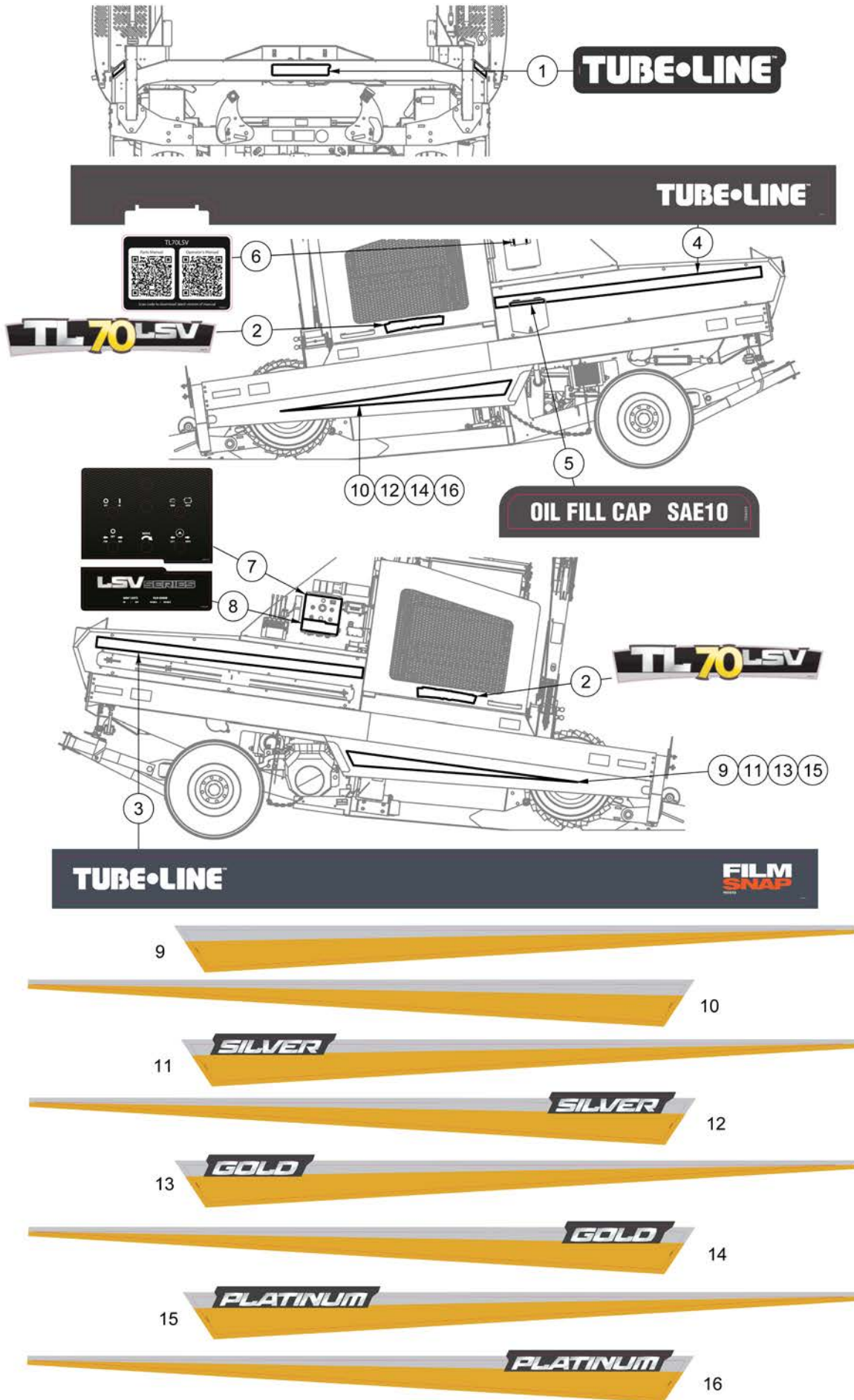
Safety Decals (SN 2270L005 to Current)

ITEM	QTY	PART NUMBER	DESCRIPTION	NOTE
	1	DE46940	TL70 Safety Decal Kit	Items 1 - 27
1	1	DE23941	Canada/USA Patent Decal	
2	1	DE23959	Bale Settings Correct and Incorrect	
3	1	DE23971	Wrapping and Storage Decal	
4	1	DE30871	Oil Fill Cap Decal	
6	1	DE30880	Charging Terminal Decal	
5	1	DE30879	Remote Control Enclosed Decal	
7	2	DE30881	Tape Holder Decal	
8	2	DE36082	Plastic Wrap Routing Decal	
9	1	DE41713H	ISO Decal - High Pressure Fluid Horizontal	
10	1	DE41714S	ISO Decal - Read Operator's Manual	
11	1	DE41715S	ISO Decal - Remove Key Before Repair	
12	2	DE41921	ISO Decal - Do Not Stand on Rollers	
13	1	DE41925	ISO Decal - Hoop Wheel Entanglement	
14	1	DE41935H	ISO Decal - Transport Speed Limit	
15	1	DE42784S	ISO Decal - Read OM Decal Section	
16	2	DE43049	ISO Decal - Wheel Crush	
17	1	DE43494	Limit Switch Hoop Start	
18	1	DE43682	Last Pushoff Return Decal	
19	1	DE43873S	ISO Decal - Engine Start in MAN	
20	1	DE43874S	ISO Decal - Panel OFF Before Boosting	
22	1	DE46918	TL70 RH Bale Saddle Decal	
23	1	DE46919	TL70 LH Bale Saddle Decal	
24	2	DE46949	Dispatch Arm ISO Decal	
25	1	DE46954	Bale Saddle Lever Decal	
26	1	DE50385	4 Spool Valve Decal	
27	1	DECANADA	Decal Made In Canada	
28	1	DE45925	Decal - Small SIS 30kmh	Intl Models
29	1	DE45927	Decal - Small SIS 20mph	US Models
30	1	DE45926	Decal - Large SIS 30kph	Intl Models
31	1	DE45928	Decal - Large SIS 20mph	US Models
	1	DE50385	Power Drive Decal	Optional



DE50385 - Optional Power Drive Decal

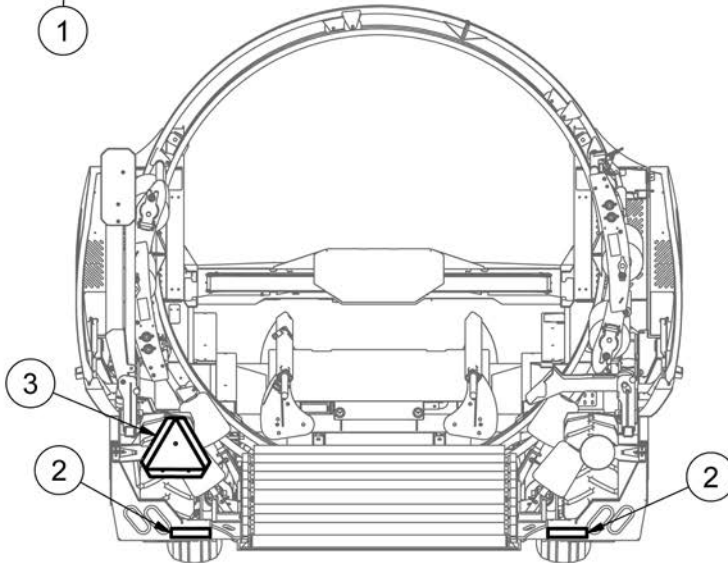
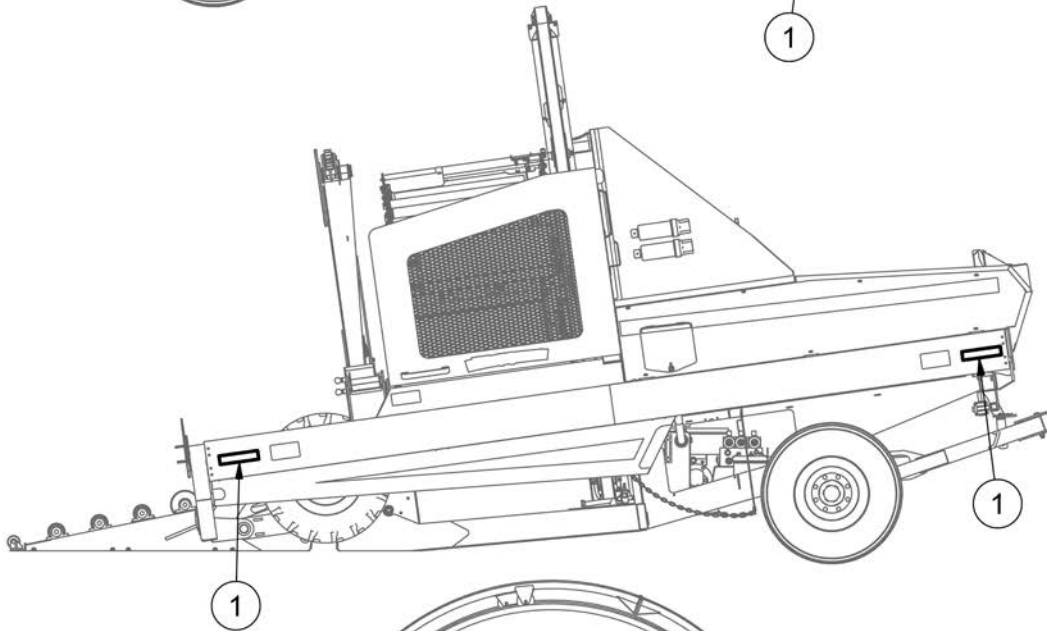
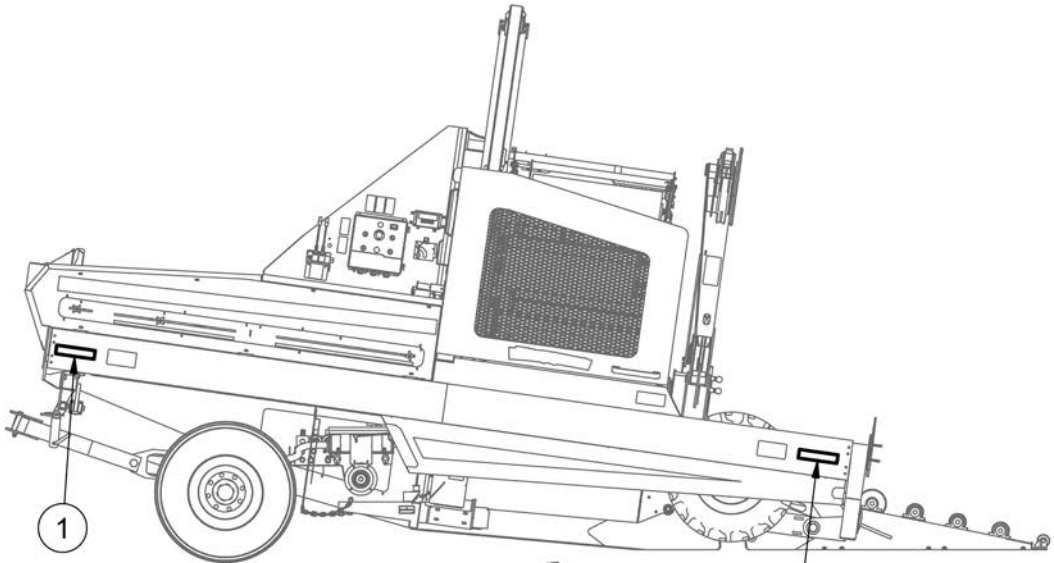
Model Decals



Model Decals

ITEM	QTY	PART NUMBER	DESCRIPTION	NOTE
	1	DE46941	TL70 Model Decal Kit	Items 1-6
1	1	DE44845	2019 Tubeline Decal	
2	2	DE46752	TL70ECV Model Decal	
3	1	DE46753	TL70 Left Side Decal	
4	1	DE46754	TL70 Right Side Decal	
5	1	DE46959	TL70 Oil Fill Decal	
6	1	DE50029	TL70LSV QR Code	SN 2270L005 - Current
7	1	DE44827	LSV Control Panel Top Decal	
8	1	DE44860	LSV Control Panel Bottom Decal	
9	1	DE44867	Standard Brand Left Decal	
10	1	DE44868	Standard Brand Right Decal	
11	1	DE44852	Silver Brand Left Decal	
12	1	DE44853	Silver Brand Right Decal	
13	1	DE44854	Gold Brand Left Decal	
14	1	DE44855	Gold Brand Right Decal	
15	1	DE44856	Platinum Brand Left Decal	
16	1	DE44857	Platinum Brand Right Decal	








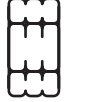



Clearance Markers



ITEM	QTY	PART NUMBER	DESCRIPTION
1	4	DEAMBERSTRIP	Amber Reflective Strip Decal
2	2	DEREDSTRIP	Red Reflective Strip Decal
3	1	DESMV	Slow Moving Vehicle Sign

Intentionally Left Blank

Imperial Torque Value Chart

SAE Grade and Head Markings	1 or 2 ^b	5	5.1	5.2	8	8.2
	NO MARK 					
SAE Grade and Nut Markings	2	5		8		
	NO MARK 					

Size	Grade 1				Grade 2 ^b				Grade 5, 5.1, or 5.2				Grade 8 or 8.2			
	Lubricated ^a		Dry ^a		Lubricated ^a		Dry ^a		Lubricated ^a		Dry ^a		Lubricated ^a		Dry ^a	
	N-m	lb-ft	N-m	lb-ft	N-m	lb-ft	N-m	lb-ft	N-m	lb-ft	N-m	lb-ft	N-m	lb-ft	N-m	lb-ft
1/4	3.7	2.8	4.7	3.5	6	4.5	7.5	5.5	9.5	7	12	9	13.5	10	17	12.5
5/16	7.7	5.5	10	7	12	9	15	11	20	15	25	18	28	21	35	26
3/8	14	10	17	13	22	16	27	20	35	26	44	33	50	36	63	46
7/16	22	16	28	20	35	26	44	32	55	41	70	52	80	58	100	75
1/2	33	25	42	31	53	39	67	50	85	63	110	80	120	90	150	115
9/16	48	36	60	45	75	56	95	70	125	90	155	115	175	130	225	160
5/8	67	50	85	62	105	78	135	100	170	125	215	160	240	175	300	225
3/4	120	87	150	110	190	140	240	175	300	225	375	280	425	310	550	400
7/8	190	140	240	175	190	140	240	175	490	360	625	450	700	500	875	650
1	290	210	360	270	290	210	360	270	725	540	925	675	1050	750	1300	975
1-1/8	400	300	510	375	400	300	510	375	900	675	1150	850	1450	1075	1850	1350
1-1/4	570	425	725	530	570	425	725	530	1300	950	1650	1200	2050	1500	2600	1950
1-3/8	750	550	950	700	750	550	950	700	1700	1250	2150	1550	2700	2000	3400	2550
1-1/2	1000	725	1250	925	990	725	1250	930	2250	1650	2850	2100	3600	2650	4550	3350

DO NOT use these values if a different torque value or tightening procedure is given for a specific application. Torque values listed are for general use only. Check tightness of fasteners periodically.

Shear bolts are designed to fail under predetermined loads. Always replace shear bolts with identical grade.

Fasteners should be replaced with the same or higher grade. If higher grade fasteners are used, these should only be tightened to the strength of the original.

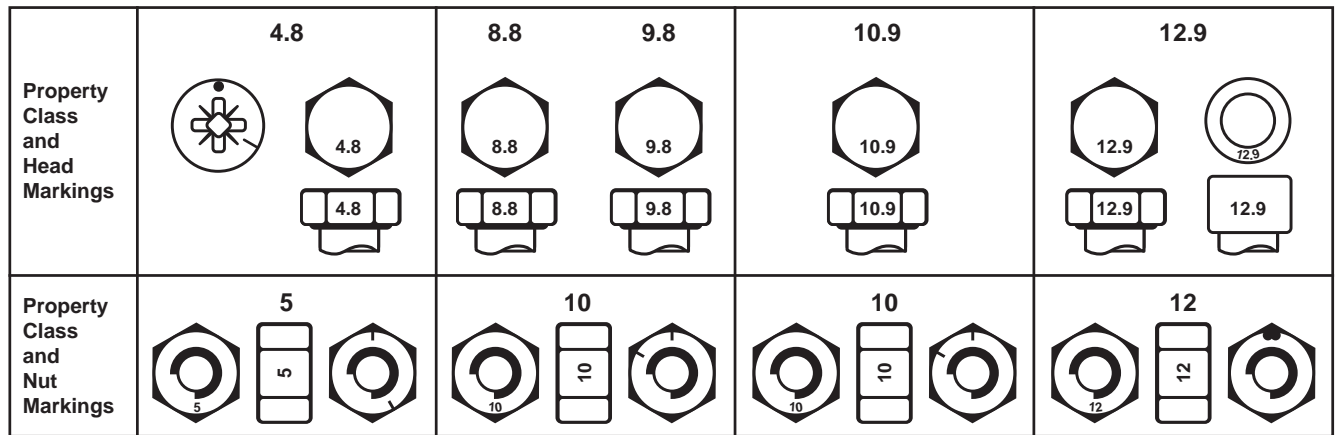
Make sure fasteners threads are clean and that you properly start thread engagement. This will prevent them from failing when tightening.

Tighten plastic insert or crimped steel-type lock nuts to approximately 50 percent of the dry torque shown in the chart, applied to the nut, not to the bolt head. Tighten toothed or serrated-type lock nuts to the full torque value.

^a "Lubricated" means coated with a lubricant such as engine oil, or fasteners with phosphate and oil coatings. "Dry" means plain or zinc plated without any lubrication.

^b Grade 2 applies for hex cap screws (not hex bolts) up to 152 mm (6-in.) long. Grade 1 applies for hex cap screws over 152 mm (6-in.) long, and for all other types of bolts and screws of any length.

Metric Torque Value Chart



Size	Class 4.8				Class 8.8 or 9.8				Class 10.9				Class 12.9			
	Lubricated ^a		Dry ^a		Lubricated ^a		Dry ^a		Lubricated ^a		Dry ^a		Lubricated ^a		Dry ^a	
	N-m	lb-ft	N-m	lb-ft	N-m	lb-ft	N-m	lb-ft	N-m	lb-ft	N-m	lb-ft	N-m	lb-ft	N-m	lb-ft
M6	4.8	3.5	6	4.5	9	6.5	11	8.5	13	9.5	17	12	15	11.5	19	14.5
M8	12	8.5	15	11	22	16	28	20	32	24	40	30	37	28	47	35
M10	23	17	29	21	43	32	55	40	63	47	80	60	75	55	95	70
M12	40	29	50	37	75	55	95	70	110	80	140	105	130	95	165	120
M14	63	47	80	60	120	88	150	110	175	130	225	165	205	150	260	190
M16	100	73	125	92	190	140	240	175	275	200	350	255	320	240	400	300
M18	135	100	175	125	260	195	330	250	375	275	475	350	440	325	560	410
M20	190	140	240	180	375	275	475	350	530	400	675	500	625	460	800	580
M22	260	190	330	250	510	375	650	475	725	540	925	675	850	625	1075	800
M24	330	250	425	310	650	475	825	600	925	675	1150	850	1075	800	1350	1000
M27	490	360	625	450	950	700	1200	875	1350	1000	1700	1250	1600	1150	2000	1500
M30	675	490	850	625	1300	950	1650	1200	1850	1350	2300	1700	2150	1600	2700	2000
M33	900	675	1150	850	1750	1300	2200	1650	2500	1850	3150	2350	2900	2150	3700	2750
M36	1150	850	1450	1075	2250	1650	2850	2100	3200	2350	4050	3000	3750	2750	4750	3500

DO NOT use these values if a different torque value or tightening procedure is given for a specific application. Torque values listed are for general use only. Check tightness of fasteners periodically.

Shear bolts are designed to fail under predetermined loads. Always replace shear bolts with identical property class.

Fasteners should be replaced with the same or higher property class. If higher property class fasteners are used, these should only be tightened to the strength of the original.

Make sure fasteners threads are clean and that you properly start thread engagement. This will prevent them from failing when tightening.

Tighten plastic insert or crimped steel-type lock nuts to approximately 50 percent of the dry torque shown in the chart, applied to the nut, not to the bolt head. Tighten toothed or serrated-type lock nuts to the full torque value.

^a "Lubricated" means coated with a lubricant such as engine oil, or fasteners with phosphate and oil coatings. "Dry" means plain or zinc plated without any lubrication.

Index

20hp Throttle Linkage2-4
47330 - Complete Ram	1-28
47501 - Suspension Axle	5-21
Bale Deck	1-30
Bale Saddles	1-32
Battery4-3
Clearance Markers6-7
Control Panel4-1
Cylinder Supports	1-22
Dual Power Drive Bracket5-3
Engine - 20hp Honda2-2
Front Brake - (SN 2270L005 - Current)	1-46
Front Corners	1-24
Hoop1-2
Hoop Drive1-4
Hydraulic Layout - Front Circuits (SN 2270L005 - Current)3-5
Hydraulic Layout - Front Circuits (Up to SN 2270L004)3-1
Hydraulic Layout - Rear Circuits (SN 2270L005 - Current)3-8
Hydraulic Layout - Rear Circuits (Up to SN 2270L004)3-4
Hydraulic Manifold	3-13
Hydraulic Manifold Connections	3-11
Hydraulic Oil Cooler	3-15
Hydraulic Oil Tank3-9
Imperial Torque Value Chart7-1
Inline Wrapper 3 Year Limited Warranty Statement (<i>Excludes Individual Wrapper</i>)	//
Left Hoop Brace (SN 2270L005 to Current).	1-12
Left Hoop Brace (Up to SN 2270L004)	1-10
Left Safety Guard.	1-18
Main Plastic Film Carrier1-6
Maintenance Guard	1-20
Manuals
Metric Torque Value Chart8-1
Model Decals6-5
Offset Twin Wrap Carrier1-8
Parking Brake	1-40
Part Orders
Parts Manual
Parts Manual Usage
Rear Axle	1-38
Rear Light Brackets	1-42
Right Hoop Brace (SN 2270L005 to Current)	1-16
Right Hoop Brace (Up to SN 2270L004).	1-14
Roller Bed	1-36
Safety Decals (SN 2270L005 to Current)6-3

Safety Decals (Up to SN 2270L004)6-1
Section 1: Basic Parts1-1
Section 2: Engine.2-1
Section 3: Hydraulics3-1
Section 4: Electrical4-1
Section 5: Options5-1
Section 6: Decals6-1
Serial Number. I
Side Rails	1-26
Steering.	1-34
TLGR70 - Optional Guide Rollers.5-5
TLGS - Laser Guidance System	5-11
TLHPDD70 - Dual Power Drive5-1
TLMPO-70 - Dispatch Arm	1-44
TLNWLK - Halogen Night Light Kit5-9
TLNWLKLED - LED Night Light Kit5-7
TLOSG - Optional Safety Guard	5-19
TLPSSK - Plastic Sensor Shutdown Kit	5-13
TLPSSKW - Plastic Sensor Shutdown Kit	5-17
TLRSSKX2HD(E) - Remote Control Kits	5-15



Scan with smartphone to
download latest manual.

CALIFORNIA

Proposition 65 Warning

Battery posts, terminals, and similar parts may contain lead which are known to the State of California to cause cancer and reproductive harm.
Wear gloves and wash hands after handling.



WARNING

The engine exhaust from this product contains chemicals known in the state of California to cause cancer, birth defects, or other reproductive harm.

TUBE•LINE™