

TUBE•LINE™

Tubeline Manufacturing Limited
6455 Reid Woods Drive RR #4
Elmira, Ontario, Canada N3B 2Z3

Email: sales@tubeline.ca

Fax: 519.669.5808

Tel: 519.669.9488

Toll-free (North America): 1.888.856.6613

www.tubeline.ca

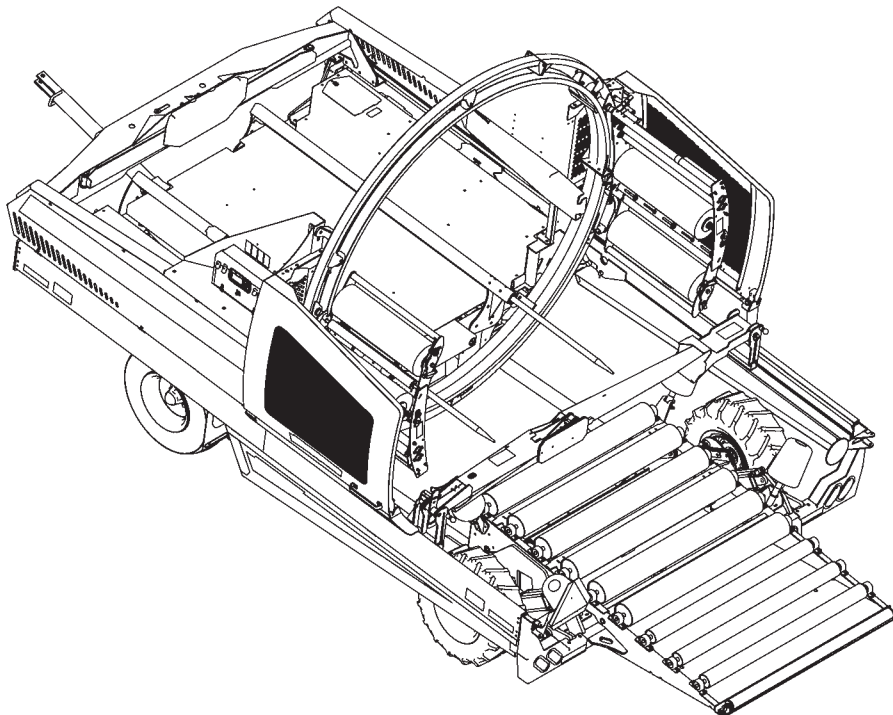
Parts Manual

Keep this manual with the machine at all times.



Balewrapper

TL70ECV



Parts Manual

Thank you for choosing the Tubeline TL70ECV Balewrapper. Our hope is it will give you many years of productive service. This machine is designed to wrap bales in a continual line with plastic film.

Parts Manual Usage

This parts manual is used to order replacement parts by means of part breakdowns and their corresponding part lists. Each page contains a different range of integrated parts. Each illustration visually represents machine components. The part lists contain information needed to order replacement parts. Part lists include the following columns:

ITEM - Number matching parts breakdown balloons.

QTY - Quantity of components included in this breakdown, not entire machine.

PART NUMBER - The number to be used when placing an order.

DESCRIPTION - Term used to confirm its matching part number.

NOTE - Column may be added to part lists when a serial break or additional information is required.

Remember to always have your machine model and serial number on hand when ordering parts.

Part Orders

Part orders are taken by your local Tubeline dealer and fulfilled through a regional distributor. For quick service please record your dealer name and contact information in the *Serial Number* section.

Manuals

Parts manuals are printed and shipped with machines as they leave the manufacturer. Your machine may include parts or features not yet included in the initially shipped manual. The latest manual version can be found at www.tubeline.ca/support. Tubeline reserves the right to update and change manuals as seen fit. Dealers are informed of any pressing changes/ modifications. They can help you with any questions regarding replacement parts.

Serial Number

The implement serial number is located on the front right corner of the frame. (*See below*) This number helps us to track changes and improvements and must be mentioned when ordering parts or requesting service. For your convenience, a space has been provided inside the front cover of this manual to record the serial number, model number, purchase date, and dealer name.

Model No: _____ TL70ECV _____

Serial No: _____

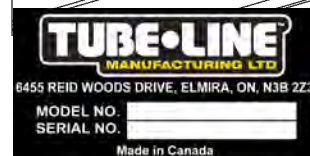
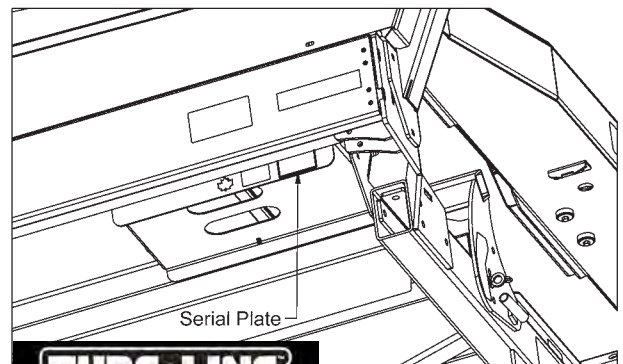
Date Purchased: _____

Dealer Name: _____

Dealer Contact: _____

Engine Model No: _____

Engine Serial No: _____





Inline Wrapper 3 Year Limited Warranty Statement *(Excludes Individual Wrapper)*

All Equipment is sold subject to mutual agreement that it is warranted by Tube-Line Manufacturing Ltd (hereinafter the company) to be free from defects in material and workmanship. The company's liability shall be limited exclusively to the original owner to replace or repair without charge, at its factory or elsewhere, at its discretion, any defects in material or workmanship which become apparent in the first year from the date on which the equipment was purchased. In the second and third year the company will supply at no charge replacement of defective parts only. Installation and freight will be at the expense of the owner.

Components supplied by third parties and not manufactured by the company will carry such warranty as extended by such parties, such as but not limited to, tires, batteries, electrical components, hydraulics and engines.

The buyer by the acceptance of the equipment will assume all liability for any damages which may result from accident, abuse or misuse by his employees or others. Any equipment that has been altered or modified without prior written authorization by the company will render the warranty null and void.

No employee or representative of the company is authorized to make changes to this warranty or grant additional warranty terms unless authorized in writing by management of the company.

The company shall not be liable for special, indirect or consequential damages of any kind including but not limited to, loss of revenue, rental replacement costs or other losses.

Normal wear and tear from normal use of the equipment is not warranted. The end user is expected to maintain and service the equipment in accordance with accepted practices. Failure to do so will void the terms of this warranty.

Warranty coverage is null and void unless Warranty Registration form has been completely filled in and is on file at Tube-Line Manufacturing Ltd.

NOTE: Newest manual version can be found at www.tubeline.ca/support

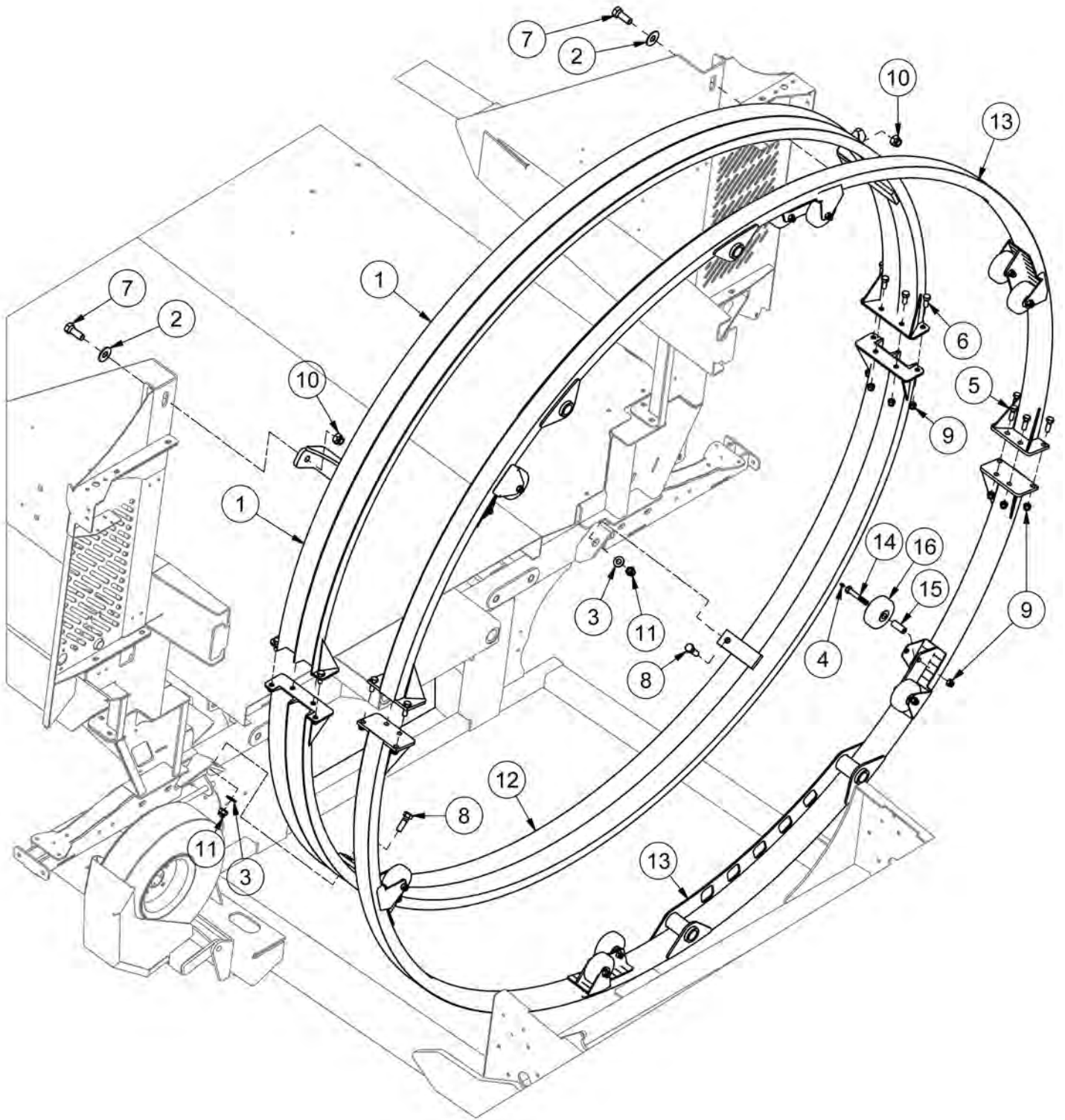
Table of Contents

| | |
|---|------------|
| Parts Manual | I |
| Parts Manual Usage | I |
| Part Orders | I |
| Manuals | I |
| Serial Number | I |
| Inline Wrapper 3 Year Limited Warranty Statement (<i>Excludes Individual Wrapper</i>) | II |
| Section 1: Basic Parts | 1-1 |
| Hoop | 1-2 |
| Hoop Drive | 1-4 |
| Main Plastic Film Carrier | 1-6 |
| Offset Twin Wrap Carrier | 1-8 |
| Left Hoop Brace | 1-10 |
| Right Hoop Brace | 1-12 |
| Left Safety Guard | 1-14 |
| Maintenance Guard | 1-16 |
| Cylinder Supports | 1-18 |
| Front Corners | 1-20 |
| Side Rails | 1-22 |
| 47730 - Complete Ram | 1-24 |
| Bale Deck | 1-26 |
| Bale Saddles | 1-28 |
| Steering | 1-30 |
| Roller Bed | 1-32 |
| Rear Axle | 1-34 |
| Parking Brake | 1-36 |
| Rear Light Brackets | 1-38 |
| TLMPO-70 - Dispatch Arm | 1-40 |
| Section 2: Engine | 2-1 |
| Engine - 20hp Honda | 2-1 |
| 20hp Throttle Linkage | 2-3 |
| Section 3: Hydraulics | 3-1 |
| Hydraulic Oil Tank | 3-1 |
| Hydraulic Manifold Mount | 3-3 |
| Hydraulic Oil Cooler | 3-4 |
| Section 4: Electrical | 4-1 |
| Control Panel | 4-1 |
| Main Electrical Harness | 4-3 |
| Battery | 4-5 |
| Ram Speed Sensor | 4-6 |
| Section 5: Options | 5-1 |
| TLHPDD70 - Dual Power Drive | 5-1 |
| Dual Power Drive Bracket | 5-3 |
| TLGR70 - Optional Guide Rollers | 5-5 |
| TLNWLKLED-ECV - LED Night Light Kit | 5-7 |
| TLNWLK-ECV - Halogen Night Light Kit | 5-9 |
| TLGSECV - Laser Guidance System | 5-11 |
| TLPSSK-ECV - Plastic Sensor Shutdown Kit | 5-13 |
| TLRSSKX2HDECV - Remote Control Kit | 5-15 |
| TLPSSKWEVCV - Plastic Sensor Shutdown Kit | 5-16 |

| | |
|-------------------------------------|------------|
| TLOSG - Optional Safety Guard | 5-17 |
| 47501 - Suspension Axle | 5-19 |
| Section 6: Decals | 6-1 |
| Safety Decals | 6-1 |
| Model Decals | 6-3 |
| Clearance Markers | 6-5 |
| Imperial Torque Value Chart | 7-1 |
| Metric Torque Value Chart | 8-1 |

Section 1: Basic Parts

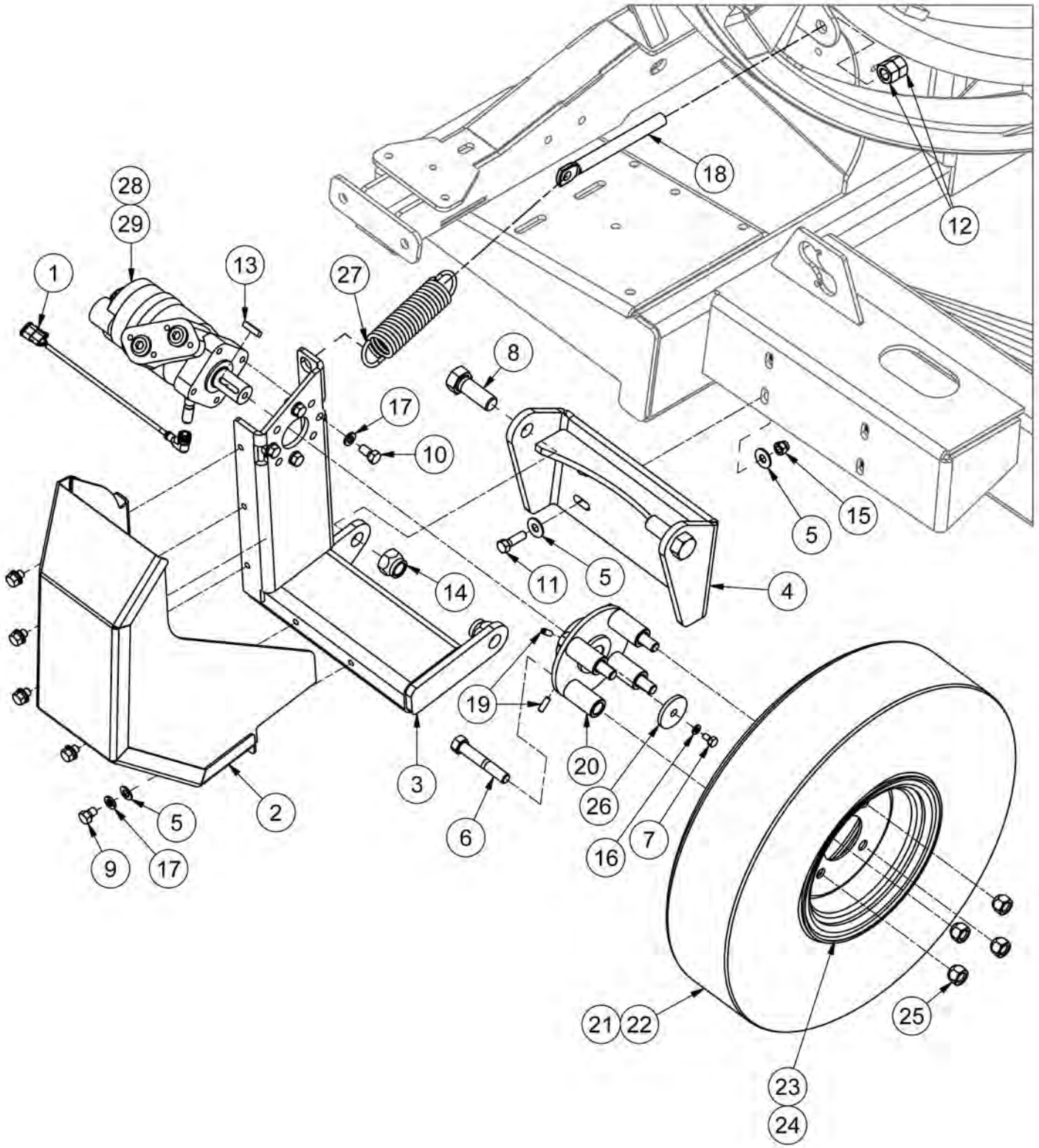
Hoop



Hoop

| ITEM | QTY | PART NUMBER | DESCRIPTION |
|------|-----|-------------------|---|
| 1 | 1 | 47096 | Upper Inner Ring |
| 2 | 2 | FW 3/4 | Flatwasher - 3/4" Zinc Plated USS |
| 3 | 2 | FW 5/8 | Flatwasher - 5/8" Zinc Plated USS |
| 4 | 12 | GR 1/4 X 28 | Grease Fitting 1/4-28 Straight Standard Zerk |
| 5 | 8 | HB 1/2-13X1.5 Z5 | Hex Bolt 1/2-13x1 1/2 Grade 5 Zinc Plated Hex Cap Screw |
| 6 | 8 | HB 1/2-13X1.25 Z5 | Hex Bolt 1/2-13x1 1/4 Grade 5 Zinc Plated Hex Cap Screw |
| 7 | 2 | HB 3/4-10X2 Z5 | Hex Bolt 3/4-10x2 Grade 5 Zinc Plated Hex Cap Screw |
| 8 | 2 | HB 5/8-11X2 Z5 | Hex Bolt 5/8-11x2 Grade 5 Zinc Plated Hex Cap Screw |
| 9 | 28 | LN 1/2 N | LN 1/2-13 Zinc Plated Nylon Insert Lock Nut |
| 10 | 2 | LN 3/4 N | LN 3/4-10 Zinc Plated Nylon Insert Lock Nut |
| 11 | 2 | LN 5/8 N | LN 5/8-11 Zinc Plated Nylon Insert Lock Nut |
| 12 | 1 | TL6X2-100-001 | Lower Inner Ring |
| 13 | 2 | TL6X2-100-003 | Outer Hoop |
| 14 | 12 | TL500-100-015 | Hoop Wheel Axle Bolt |
| 15 | 12 | TL550-200-016 | Spanner |
| 16 | 12 | TLWHEEL01 | Hoop Wheel |

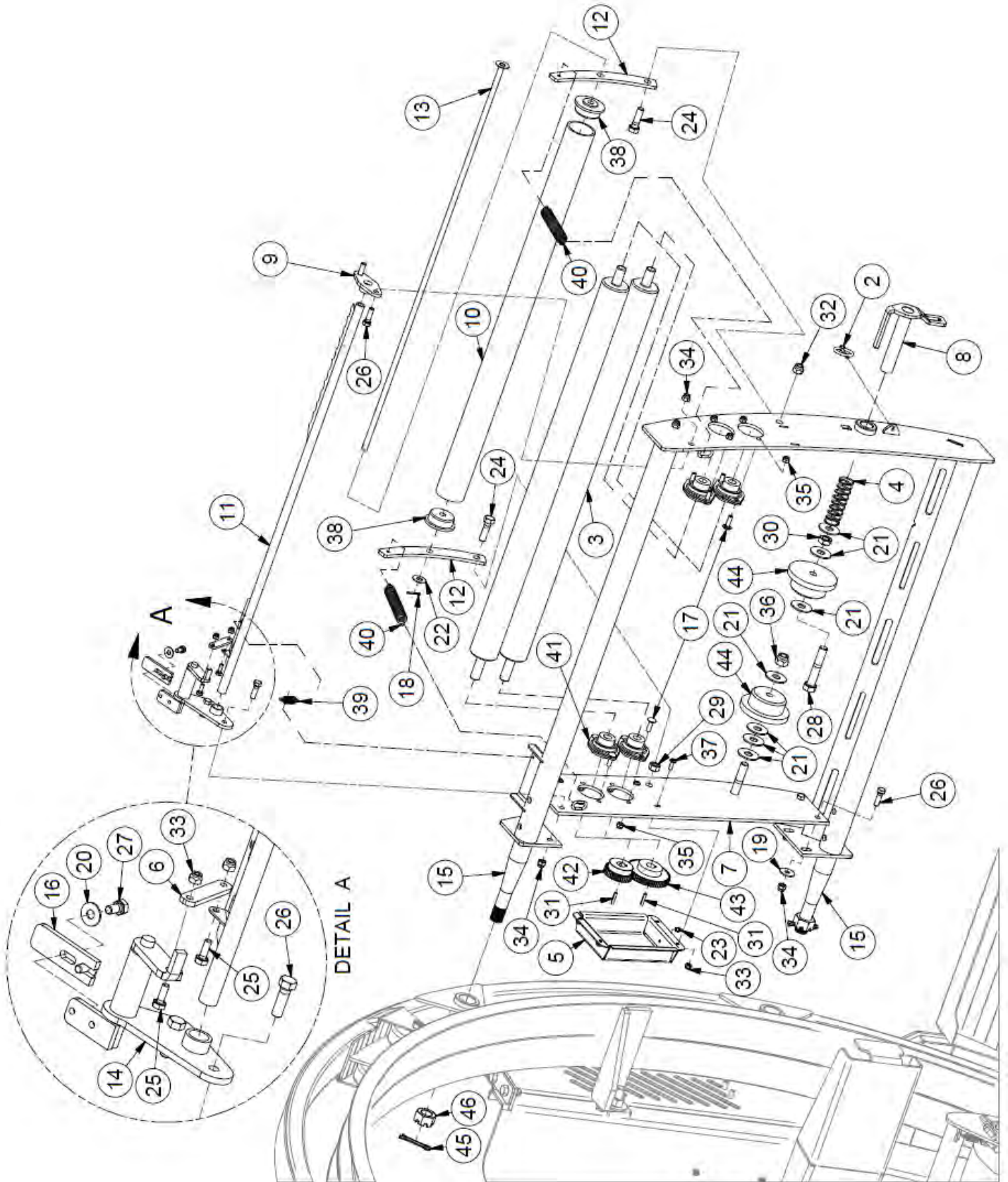
Hoop Drive



Hoop Drive

| ITEM | QTY | PART NUMBER | DESCRIPTION | NOTE |
|------|-----|----------------------|---|---------------------|
| 1 | 1 | 32607 | ECV Hoop Speed Sensor Harness | |
| 2 | 1 | 41378 | Hoop Wheel Guard | |
| 3 | 1 | 47185 | Hoop Wheel Mount | |
| 4 | 1 | 47190 | Hoop Drive Mount | |
| 5 | 13 | FW 3/8 | Flatwasher - 3/8" Zinc Plated USS | |
| 6 | 4 | HB1/2-13X3Z5 | Hex Bolt 1/2-13x3 Grade 5 Zinc Plated Hex Cap Screw | |
| 7 | 1 | HB1/4-20X0.5Z5 | Hex Bolt 1/4-20x1/2 Grade 5 Zinc Plated Hex Cap Screw | |
| 8 | 2 | HB3/4-10X2Z5 | Hex Bolt 3/4-10x2 Grade 5 Zinc Plated Hex Cap Screw | |
| 9 | 5 | HB3/8-16X0.5Z5 | Hex Bolt 3/8-16x1/2 Grade 5 Zinc Plated Hex Cap Screw | |
| 10 | 4 | HB3/8-16X0.75Z5 | Hex Bolt 3/8-16x3/4 Grade 5 Zinc Plated Hex Cap Screw | |
| 11 | 4 | HB3/8-16X1.25Z5 | Hex Bolt 3/8-16x1 1/4 Grade 5 Zinc Plated Hex Cap Screw | |
| 12 | 2 | HN5/8-11CZ5 | Hex Nut 5/8"-11 Grade 5 Zinc Plated Finished | |
| 13 | 1 | KS40254 | Keystock .250 X 1.000 | |
| 14 | 2 | LN3/4-10NCZ5 | LN 3/4-10 Zinc Plated Nylon Insert Lock Nut | |
| 15 | 4 | LN3/8-16NCZ5 | LN 3/8-16 Zinc Plated Nylon Insert Lock Nut | |
| 16 | 1 | LW 1/4 | LW - 1/4" Zinc Plated Medium Split | |
| 17 | 9 | LW 3/8 | LW - 3/8" Zinc Plated Medium Split | |
| 18 | 1 | PP00051 | Flat Eyebolt - 5/8 X 7 | |
| 19 | 2 | SS1/4-20CX0.75CP | Allan Head Set Screw, 1/4-20 x 3/4 | |
| 20 | 1 | TL500-100-051 | Hoop Drive Wheel Hub | |
| 21 | 1 | TL500-100-052 | Drive Wheel | Incl Items 22-24 |
| 22 | 1 | WHE 5.70X8X4 | 5.70 X 8 x 4 Ply Tire | |
| 23 | 1 | WHE 57017 | Valve Stem 570 x 8 Wheels | |
| 24 | 1 | WHE 57084 | Bolt Rim - 5.70 x 8 x 4 Bolt | |
| 25 | 4 | TL500-100-054 | 1/2 Wheel Nut | |
| 26 | 1 | TL500-100-060 | Power Drive Washer | |
| 27 | 1 | TL500-101-231 | Wheel Tensioner Spring | |
| 28 | 1 | VAL MLHPQ200C7URS-NE | Hyd. Motor (Hoop Motor) Rear Ported with Sensor | |
| 29 | 1 | SKMLHPQUDE | Seal Kit - 200 & 400 Series Motors | |

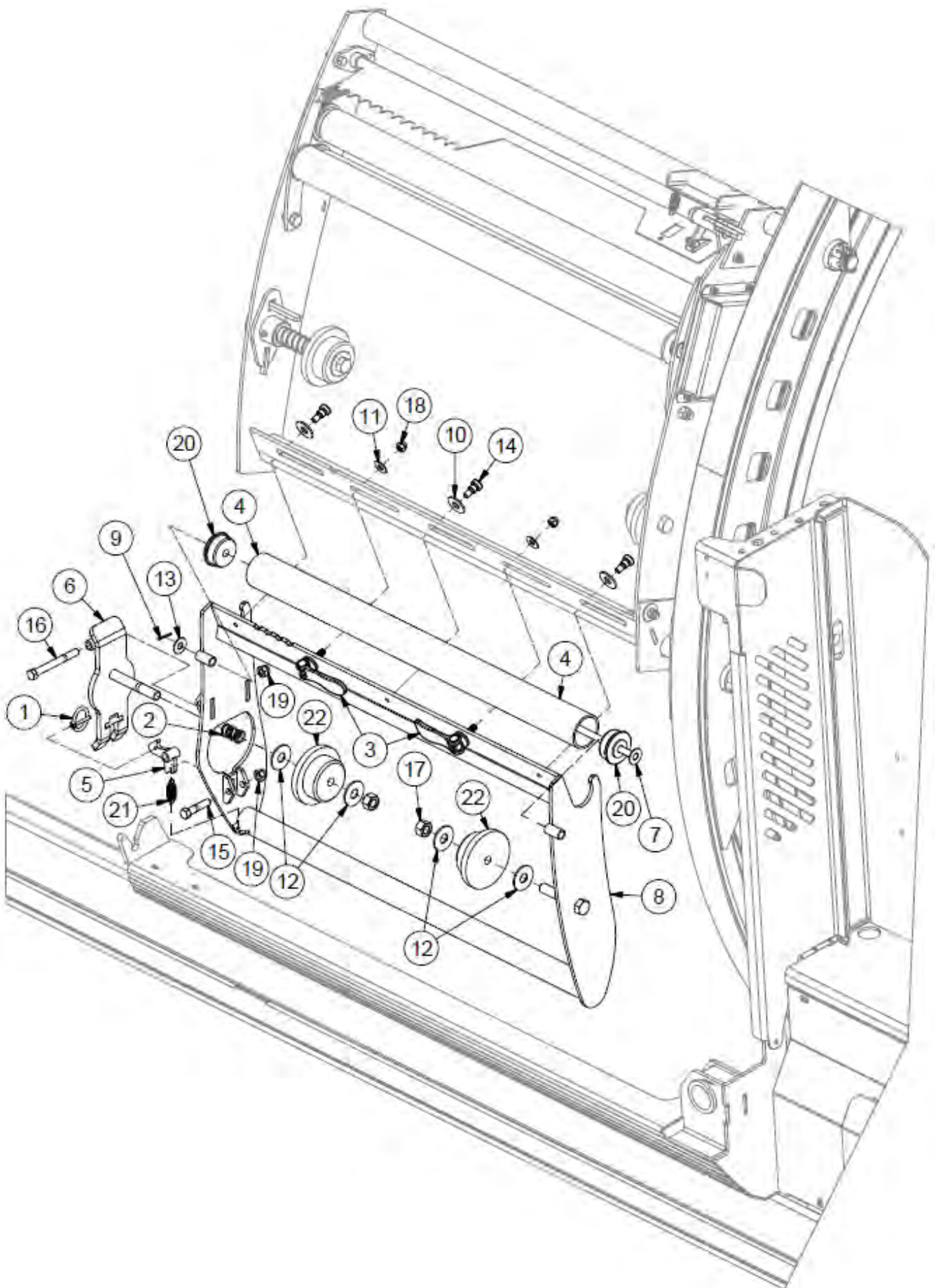
Main Plastic Film Carrier



Main Plastic Film Carrier

| ITEM | QTY | PART NUMBER | DESCRIPTION | NOTE |
|------|-----|---------------------|---|------------------|
| 1 | 2 | 44278 | Offset Plastic Wrap Carrier | Items 2-44 |
| 2 | 1 | 25680 | Linchpin 3/16 x 1.5" | |
| 3 | 2 | 39916 | Extended Tensioner Roller | |
| 4 | 1 | 41888 | Offset Tensioner Spring | |
| 5 | 1 | 44284 | Grease Box | |
| 6 | 1 | 44285 | Swivel Plate | |
| 7 | 1 | 44286 | Main Wrap Side Plate | |
| 8 | 1 | 44287 | Wrap Spool Slider Shaft | |
| 9 | 1 | 44288 | Pivot Support Bracket | |
| 10 | 1 | 44289 | Extended Plastic Roller | |
| 11 | 1 | 44290 | Wrap Cut | |
| 12 | 2 | 44291 | Plastic Roller Mount | |
| 13 | 1 | 44292 | Plastic Roller Pin | |
| 14 | 1 | 44293 | Wrap Cut Swivel Handle | |
| 15 | 1 | 44294 | Main Wrap Frame | |
| 16 | 1 | 44400 | Snap Adjuster Plate | |
| 17 | 8 | CB 5/16-18 X1 Z5 | Carriage Bolt - 5/16-18 x 1" Grade 5 Zinc | |
| 18 | 1 | CP 18X1 | Pin, Cotter 1/8 x 1.0 | |
| 19 | 2 | FW 3/8 | Flatwasher - 3/8" Zinc Plated USS | |
| 20 | 2 | FW 5/16 | Flatwasher - 5/16" Zinc Plated USS | |
| 21 | 7 | FW 5/8 | Flatwasher - 5/8" Zinc Plated USS | |
| 22 | 1 | FW 7/16 | Flatwasher - 7/16" Zinc Plated USS | |
| 23 | 2 | GR 1/4 X 28 | Grease Fitting 1/4-28 Strght-Standr Zerk | |
| 24 | 2 | HB 1/2-13X1.75 Z5 | Hex Bolt 1/2-13x1 3/4 Grade 5 Zinc Plated Hex Cap Screw | |
| 25 | 2 | HB 1/4-20X0.75 Z5 | Hex Bolt 1/4-20x3/4 Grade 5 Zinc Plated Hex Cap Screw | |
| 26 | 6 | HB 3/8-16X1.25 Z5 | Hex Bolt 3/8-16x1 1/4 Grade 5 Zinc Plated Hex Cap Screw | |
| 27 | 2 | HB 5/16-18X0.625 Z5 | Hex Bolt 5/16-18x5/8 Grade 5 Zinc Plated Hex Cap Screw | |
| 28 | 1 | HB 5/8-11X3.5 Z5 | Hex Bolt 5/8-11x3 1/2 Grade 5 Zinc Plated Hex Cap Screw | |
| 29 | 2 | HN 1/2 | Hex Nut 1/2"-13 Grade 5 Zinc Plated Finished | |
| 30 | 1 | HN 5/8 JAM | Hex Nut - 5/8-11 Zinc Plated Hex Jam Nut | |
| 31 | 2 | KS44823 | Keystock .188 X 1 | |
| 32 | 2 | LN 1/2 N | LN 1/2-13 Zinc Plated Nylon Insert Lock Nut | |
| 33 | 6 | LN 1/4 N | LN 1/4-20 Zinc Plated Nylon Insert Lock Nut | |
| 34 | 6 | LN 3/8 N | LN 3/8-16 Zinc Plated Nylon Insert Lock Nut | |
| 35 | 8 | LN 5/16 N | LN 5/16-18 Zinc Plated Nylon Insert Lock Nut | |
| 36 | 1 | LN 5/8 N | LN 5/8-11 Zinc Plated Nylon Insert Lock Nut | |
| 37 | 4 | MS 1/4X20X0.75 | Machine Screw - (Inch) | |
| 38 | 2 | TL500-100-021 | HMWPVC - Plastic End Cap | |
| 39 | 1 | TL500-100-062 | Extension Spring | |
| 40 | 2 | TL500-100-135 | Spring - Tensioner | |
| 41 | 4 | TL550-100-007 | Flange Bearing, 3/4" (2 Flanges & Bearing) | |
| 42 | 1 | TL550-100-008 | Small Gear - 3/4 Bore, KW, SS, 14 1/2 deg, 2.25 P.D. | C/w 2 Set Screws |
| 43 | 1 | TL550-100-009 | Large Gear - 3/4 Bore, KW, SS, 14 1/2 deg, 3.50 P.D. | C/w 2 Set Screws |
| 44 | 2 | TL550-200-012 | Plastic Wrap Spool | |
| 45 | 4 | CP 1/4 x 2.0 | Pin, Cotter - 1/4" x 2" Zinc Plated | |
| 46 | 4 | HN 1.0-14NFCastle | Hex Nut 1"-14 Slotted Plain Finish (NF Castle Nut Bare) | |

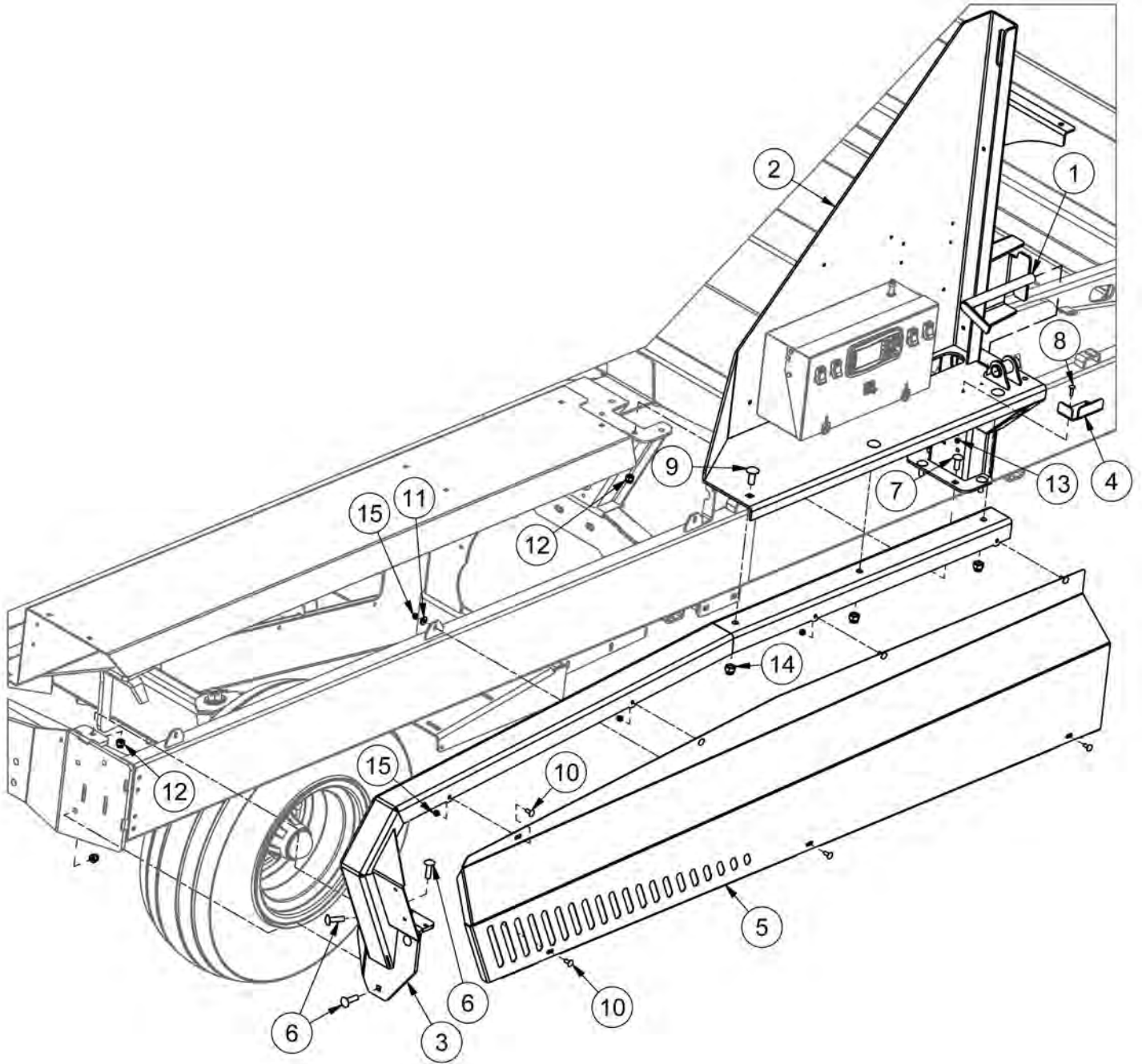
Offset Twin Wrap Carrier



Offset Twin Wrap Carrier

| ITEM | QTY | PART NUMBER | DESCRIPTION | NOTE |
|------|-----|-----------------|--|-------------------------------------|
| | 1 | TLTWKOFF | Complete Offset Twin Wrap Kit | Inc. 2 of 44277 |
| | 2 | 44277 | Offset Twin Wrap Assembly | Items 1-22 (Qty for 1 side only) |
| 1 | 1 | 25680 | Lynch Pin 3/16 X 1.5 | |
| 2 | 1 | 41916 | Twin Wrap Spring | |
| 3 | 2 | 41927 | Cam Handle | |
| 4 | 1 | 44279 | Plastic Roller | |
| 5 | 1 | 44280 | Latch Hook | |
| 6 | 1 | 44281 | Spool Latch | |
| 7 | 1 | 44282 | Twin Wrap Roller Pin | |
| 8 | 1 | 44283 | Twin Wrap Frame | |
| 9 | 1 | CP 18X1 | Pin, Cotter - 1/8" X 1.0" | |
| 10 | 3 | FW 1/2 | Flatwasher - 1/2" Zinc Plated USS | |
| 11 | 2 | FW 3/8 | Flatwasher - 3/8" Zinc Plated USS | |
| 12 | 4 | FW 5/8 | Flatwasher - 5/8" Zinc Plated USS | |
| 13 | 1 | FW 7/16 | Flatwasher - 7/16" Zinc Plated USS | |
| 14 | 3 | HB 1/2X3/8 SS | Socket Head Shoulder Screws - 1/2 Shldr x 3/8 x 3/8-16 | |
| 15 | 1 | HB 7/16-14X2 Z5 | Hex Bolt 7/16-14x2 Grade 5 Zinc Plated Hex Cap Screw | |
| 16 | 1 | HB 7/16-14X4 Z5 | Hex Bolt 7/16-14x4 Grade 5 Zinc Plated Hex Cap Screw | |
| 17 | 2 | HN 5/8 | Hex Nut 5/8"-11 Grade 5 Zinc Plated Finished | |
| 18 | 2 | LN 3/8 N | LN 3/8-16 Zinc Plated Nylon Insert Lock Nut | |
| 19 | 2 | LN 7/16 N | LN 7/16-14 Zinc Plated Nylon Insert Lock Nut | |
| 20 | 2 | TL500-100-021 | Plastic Roller Cap | |
| 21 | 1 | TL500-100-062 | Trigger Spring | |
| 22 | 2 | TL550-200-012 | Plastic Wrap Spool | |

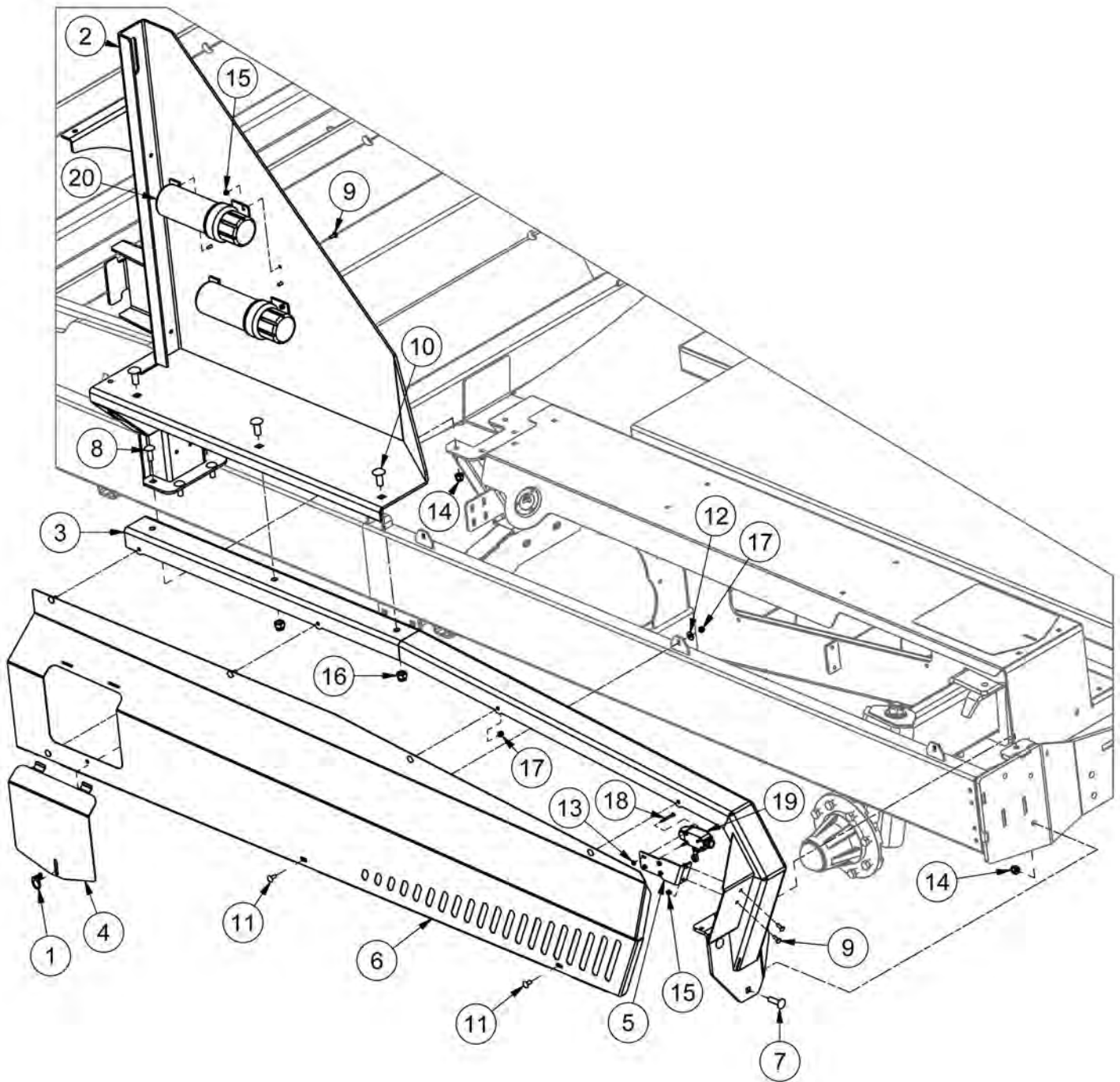
Left Hoop Brace



Left Hoop Brace

| ITEM | QTY | PART NUMBER | DESCRIPTION |
|------|-----|-------------------|--|
| 1 | 1 | 31794 | Hoop Lock Pin |
| 2 | 1 | 47126 | Left Hoop Brace |
| 3 | 1 | 47156 | Left Hoop Brace Support |
| 4 | 1 | 47284 | Hoop Lock Bracket |
| 5 | 1 | 47303 | ECV Left Side Shield |
| 6 | 4 | CB1/2-13X1.75CZ5 | Carriage Bolt - 1/2-13 x 1 3/4" Grade 5 Zinc |
| 7 | 4 | CB1/2-13X1.375CZ5 | Carriage Bolt - 1/2-13 x 1 3/8" Grade 5 Zinc |
| 8 | 2 | CB1/4-20X1CZ5 | Carriage Bolt - 1/4-20 x 1" Grade 5 Zinc |
| 9 | 3 | CB5/8-11X1.5CZ5 | Carriage Bolt - 5/8-11 x 1 1/2" Grade 5 Zinc |
| 10 | 7 | CB5/16-18X0.75CZ5 | Carriage Bolt - 5/16-18 x 3/4" Grade 5 Zinc |
| 11 | 3 | FW 5/16 | Flatwasher - 5/16" Zinc Plated USS |
| 12 | 8 | LN1/2-13NCZ5 | LN 1/2-13 Zinc Plated Nylon Insert Lock Nut |
| 13 | 2 | LN1/4-20NCZ5 | LN 1/4-20 Zinc Plated Nylon Insert Lock Nut |
| 14 | 3 | LN5/8-11NCZ5 | LN 5/8-11 Zinc Plated Nylon Insert Lock Nut |
| 15 | 7 | LN5/16-18NCZ5 | LN 5/16-18 Zinc Plated Nylon Insert Lock Nut |

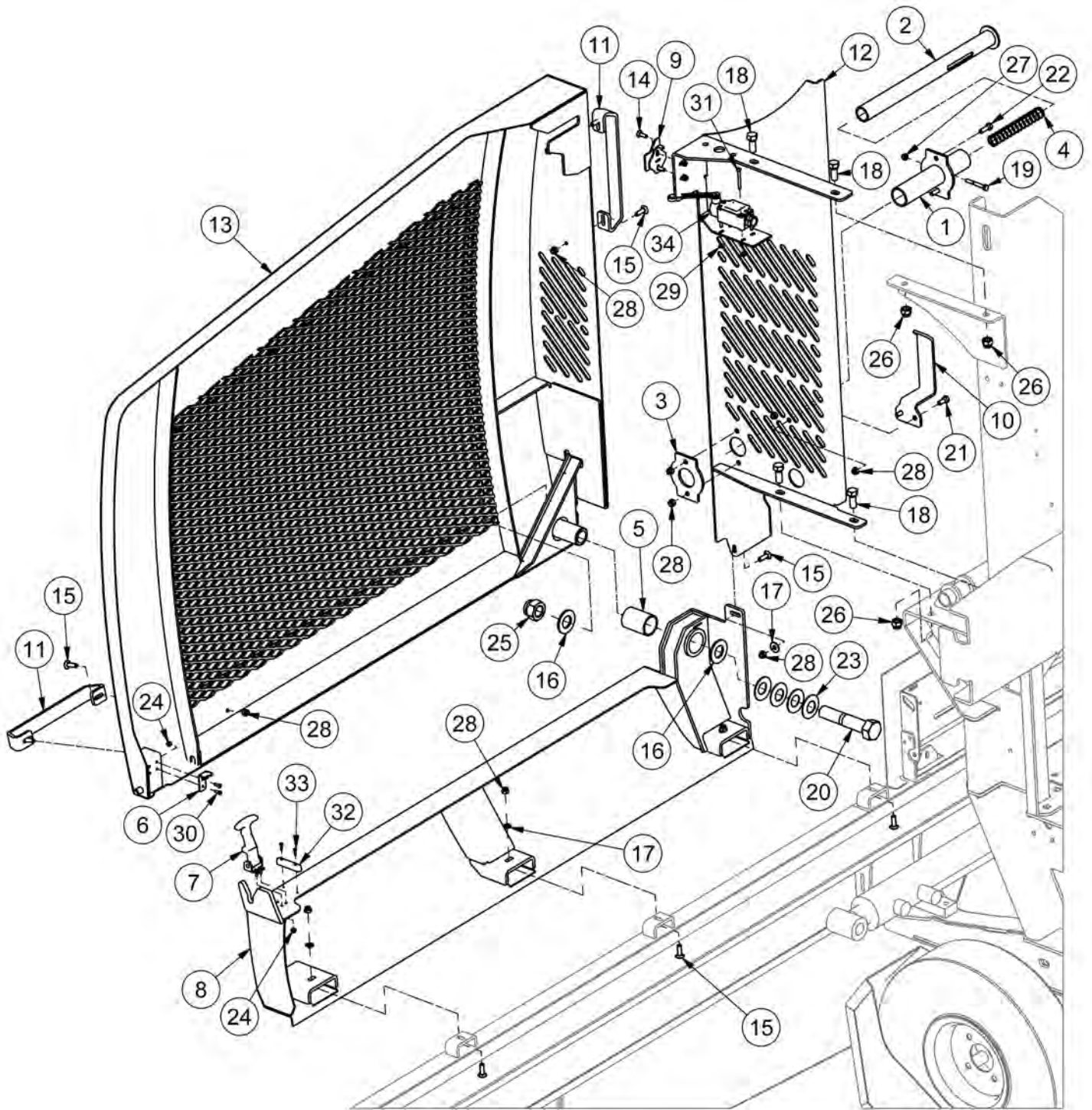
Right Hoop Brace



Right Hoop Brace

| ITEM | QTY | PART NUMBER | DESCRIPTION |
|------|-----|-------------------|--|
| 1 | 1 | 36268 | Cam Lock |
| 2 | 1 | 47136 | Right Hoop Brace |
| 3 | 1 | 47161 | Right Hoop Brace Support |
| 4 | 1 | 47267 | Oil Fill Lid |
| 5 | 1 | 47306 | Home Switch Mount |
| 6 | 1 | 47342 | ECV Right Side Shield |
| 7 | 4 | CB1/2-13X1.75CZ5 | Carriage Bolt - 1/2-13 x 1 3/4" Grade 5 Zinc |
| 8 | 4 | CB1/2-13X1.375CZ5 | Carriage Bolt - 1/2-13 x 1 3/8" Grade 5 Zinc |
| 9 | 8 | CB1/4-20X0.75CZ5 | Carriage Bolt - 1/4-20 x 3/4" Grade 5 Zinc |
| 10 | 3 | CB5/8-11X1.5CZ5 | Carriage Bolt - 5/8-11 x 1 1/2" Grade 5 Zinc |
| 11 | 7 | CB5/16-18X0.75CZ5 | Carriage Bolt - 5/16-18 x 3/4" Grade 5 Zinc |
| 12 | 3 | FW 5/16 | Flatwasher - 5/16" Zinc Plated USS |
| 13 | 4 | LN 10-24 | K-Lok Locknut |
| 14 | 8 | LN1/2-13NCZ5 | LN 1/2-13 Zinc Plated Nylon Insert Lock Nut |
| 15 | 8 | LN1/4-20NCZ5 | LN 1/4-20 Zinc Plated Nylon Insert Lock Nut |
| 16 | 3 | LN5/8-11NCZ5 | LN 5/8-11 Zinc Plated Nylon Insert Lock Nut |
| 17 | 7 | LN5/16-18NCZ5 | LN 5/16-18 Zinc Plated Nylon Insert Lock Nut |
| 18 | 4 | MS #10X24X1.75 | Machine Screw - (Inch) |
| 19 | 1 | TL550-100-060 | Limit Switch |
| 20 | 2 | TL5X2-201-111 | Operator's Manual Holder |

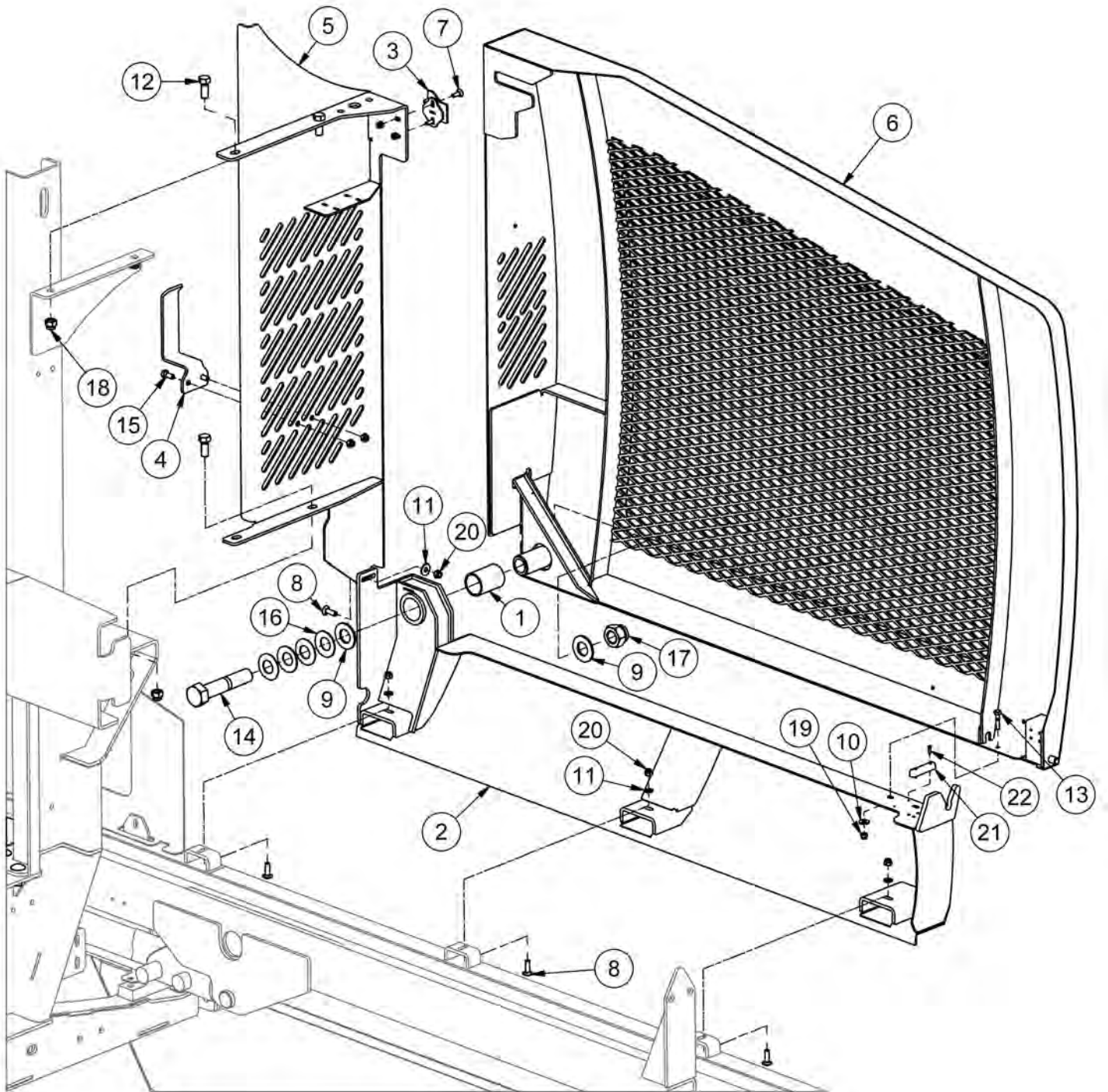
Left Safety Guard



Left Safety Guard

| ITEM | QTY | PART NUMBER | DESCRIPTION |
|------|-----|--------------------|---|
| 1 | 1 | 33352 | Wrap Cut Tube Support |
| 2 | 1 | 33355 | Cut Push Tube |
| 3 | 1 | 36629 | Pipe Support |
| 4 | 1 | 36900 | Film Snap Spring |
| 5 | 1 | 37845 | Polygon 1.75 OD x1.52 ID x2.38 LG |
| 6 | 1 | 38343 | Battery Latch |
| 7 | 1 | 38610 | Rubber Battery Latch |
| 8 | 1 | 41692 | Left Bottom Door Mount |
| 9 | 1 | 43266 | Door Hold |
| 10 | 1 | 44359 | Single Tape Holder |
| 11 | 2 | 44858 | Door Handle |
| 12 | 1 | 47244 | Left Door Mount |
| 13 | 1 | 47252 | Left Door |
| 14 | 2 | CB 1/4-20 X0.75 Z5 | Carriage Bolt - 1/4-20 x 3/4" Grade 5 Zinc |
| 15 | 8 | CB 5/16-18 X1 Z5 | Carriage Bolt - 5/16-18 x 1" Grade 5 Zinc |
| 16 | 2 | FW 1.0 | Flatwasher - 1" Zinc Plated USS |
| 17 | 5 | FW 5/16 | Flatwasher - 5/16" Zinc Plated USS |
| 18 | 4 | HB 1/2-13X1.25 Z5 | Hex Bolt 1/2-13x1 1/4 Grade 5 Zinc Plated Hex Cap Screw |
| 19 | 1 | HB 1/4-20X2 Z5 | Hex Bolt 1/4-20x2 Grade 5 Zinc Plated Hex Cap Screw |
| 20 | 1 | HB 1-8X5 Z5 | Hex Bolt 1-8x5 Grade 5 Zinc Plated Hex Cap Screw |
| 21 | 2 | HB 5/16-18X0.75 Z5 | Hex Bolt 5/16-18x3/4 Grade 5 Zinc Plated Hex Cap Screw |
| 22 | 2 | HB 5/16-18X1 Z5 | Hex Bolt 5/16-18x1 Grade 5 Zinc Plated Hex Cap Screw |
| 23 | 4 | LA-BK-43 | 2" OD 1" ID H Steel Disc Spring Washer |
| 24 | 5 | LN #8 N | LN 3/16-32 Zinc Plated Nylon Insert Lock Nut |
| 25 | 1 | LN 1 N | LN 1-8 Zinc Plated Nylon Insert Lock Nut |
| 26 | 4 | LN 1/2 N | LN 1/2-13 Zinc Plated Nylon Insert Lock Nut |
| 27 | 3 | LN 1/4 N | LN 1/4-20 Zinc Plated Nylon Insert Lock Nut |
| 28 | 12 | LN 5/16 N | LN 5/16-18 Zinc Plated Nylon Insert Lock Nut |
| 29 | 4 | LN 10-24 | K-Lok Locknut |
| 30 | 5 | MS #8X32X0.5 | Machine Screw - (Inch) |
| 31 | 4 | MS #10X24X1.75 | Machine Screw - (Inch) |
| 32 | 1 | PP-00685 | Rubber Stop |
| 33 | 2 | PP-00686 | Wood Screw,#6 x5/8" Roberts end |
| 34 | 1 | 32633 | ECV LH&RH Door & Ram Switch |

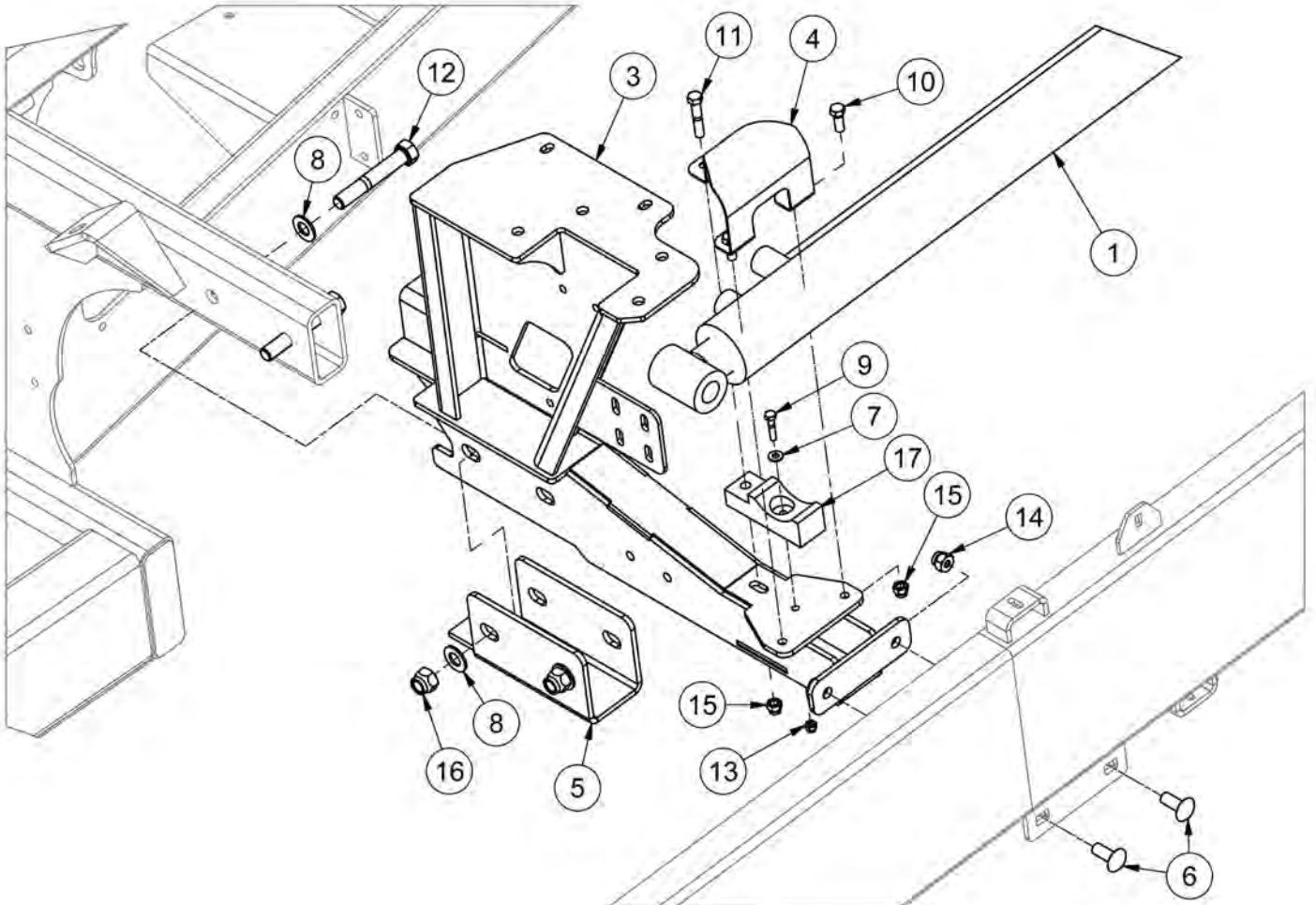
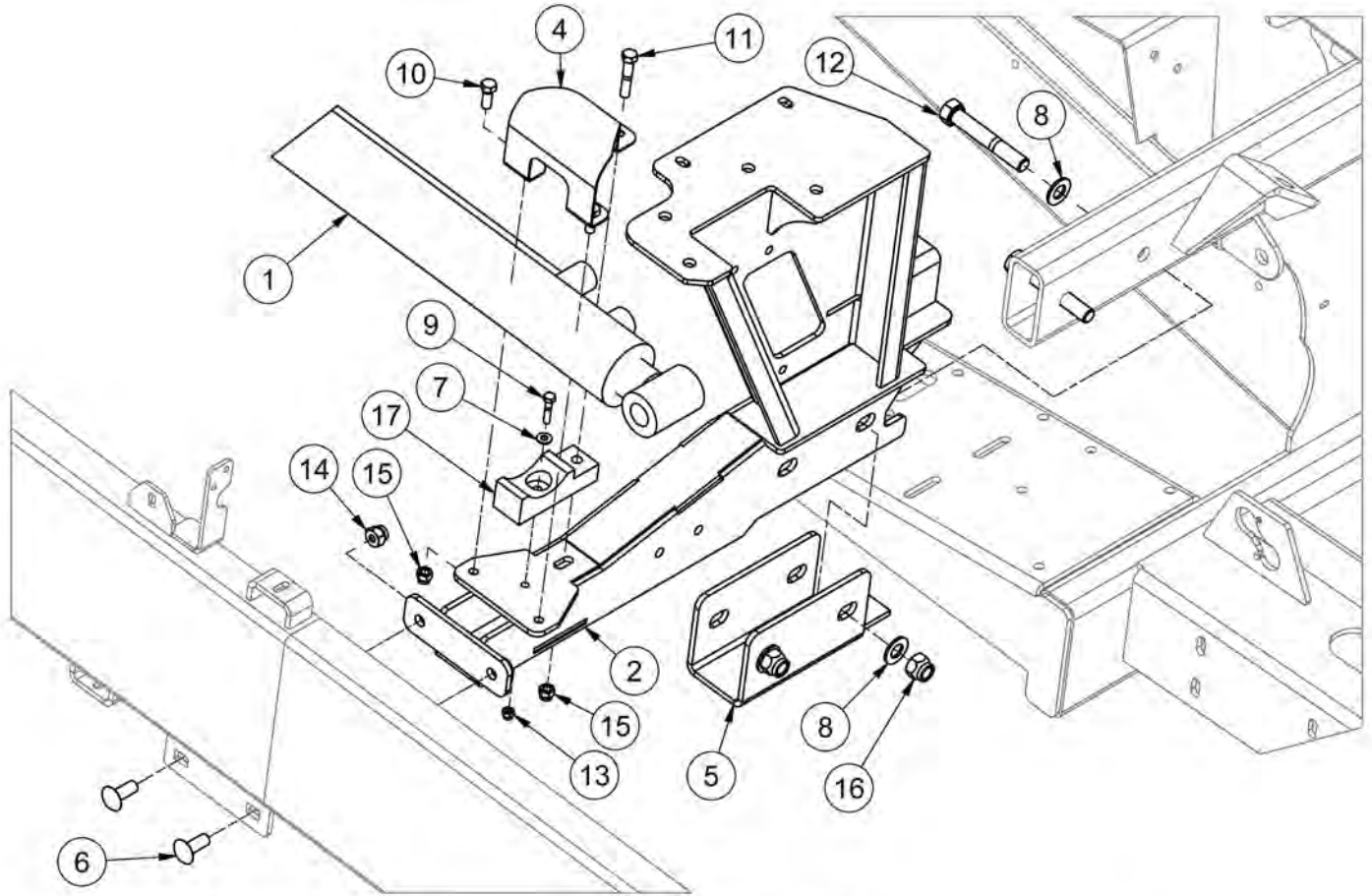
Maintenance Guard



Maintenance Guard

| ITEM | QTY | PART NUMBER | DESCRIPTION |
|------|-----|------------------|---|
| 1 | 1 | 37845 | Polygon 1.75 OD x1.52 ID x2.38 LG |
| 2 | 1 | 43259 | Right Bottom Door Mount |
| 3 | 1 | 43266 | Door Hold |
| 4 | 1 | 44359 | Single Tape Holder |
| 5 | 1 | 47249 | Right Door Mount |
| 6 | 1 | 47255 | Right Door |
| 7 | 2 | CB1/4-20X0.75CZ5 | Carriage Bolt - 1/4-20 x 3/4" Grade 5 Zinc |
| 8 | 4 | CB5/16-18X1CZ5 | Carriage Bolt - 5/16-18 x 1" Grade 5 Zinc |
| 9 | 2 | FW 1.0 | Flatwasher - 1" Zinc Plated USS |
| 10 | 1 | FW 1/4 | Flatwasher - 1/4" Zinc Plated USS |
| 11 | 4 | FW 5/16 | Flatwasher - 5/16" Zinc Plated USS |
| 12 | 4 | HB1/2-13X1.25Z5 | Hex Bolt 1/2-13x1 1/4 Grade 5 Zinc Plated Hex Cap Screw |
| 13 | 1 | HB1/4-20X1.25Z5 | Hex Bolt 1/4-20x1 1/4 Grade 5 Zinc Plated Hex Cap Screw |
| 14 | 1 | HB1-8X5Z5 | Hex Bolt 1-8x5 Grade 5 Zinc Plated Hex Cap Screw |
| 15 | 2 | HB5/16-18X0.75Z5 | Hex Bolt 5/16-18x3/4 Grade 5 Zinc Plated Hex Cap Screw |
| 16 | 4 | LA-BK-43 | 2" OD 1" ID H Steel Disc Spring Washer |
| 17 | 1 | LN1-8NCZ5 | LN 1-8 Zinc Plated Nylon Insert Lock Nut |
| 18 | 8 | LN1/2-13NCZ5 | LN 1/2-13 Zinc Plated Nylon Insert Lock Nut |
| 19 | 1 | LN1/4-20NCZ5 | LN 1/4-20 Zinc Plated Nylon Insert Lock Nut |
| 20 | 6 | LN5/16-18NCZ5 | LN 5/16-18 Zinc Plated Nylon Insert Lock Nut |
| 21 | 1 | PP-00685 | Rubber Stop |
| 22 | 2 | PP-00686 | Wood Screw,#6 x5/8" Roberts end |

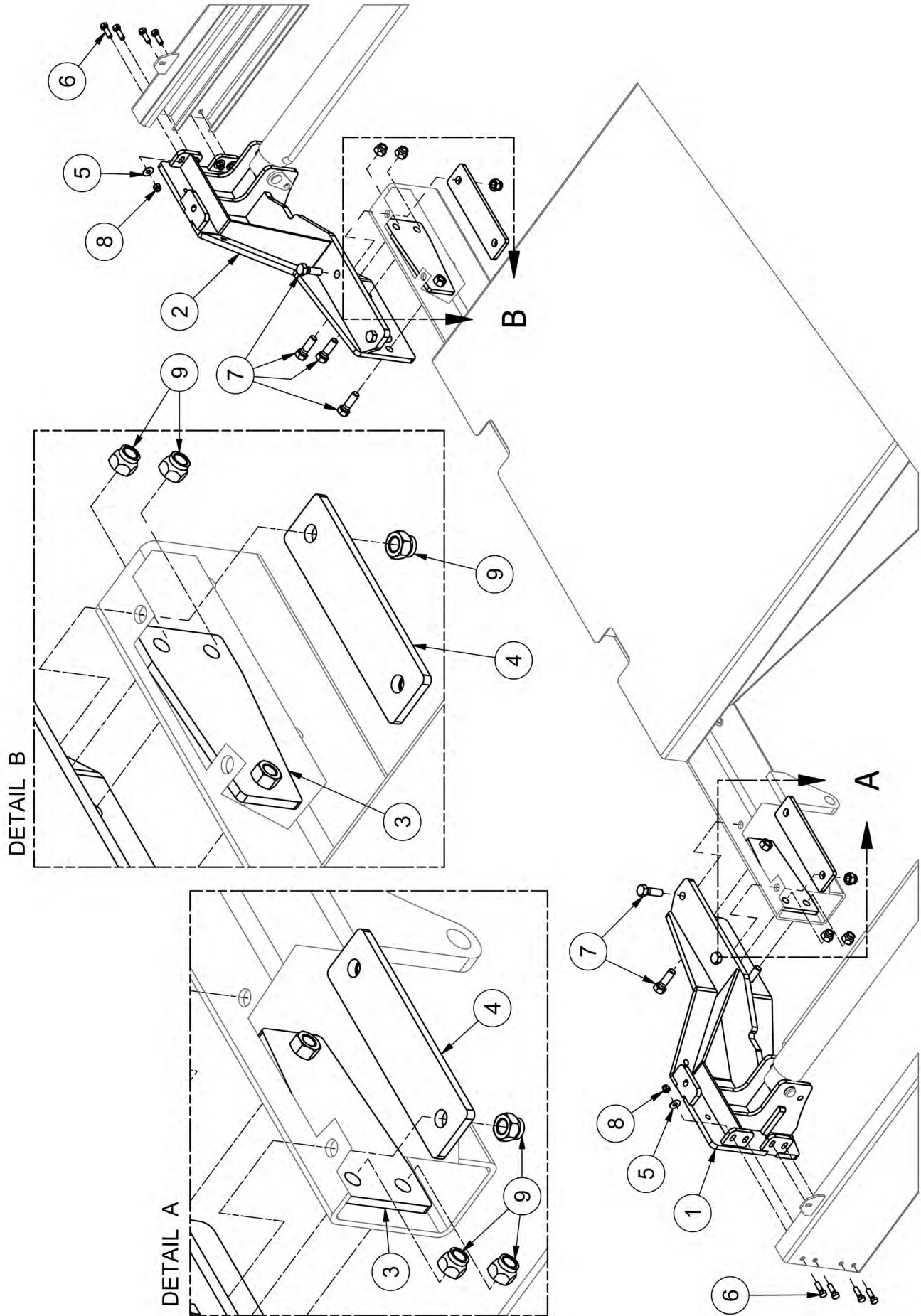
Cylinder Supports



Cylinder Supports

| ITEM | QTY | PART NUMBER | DESCRIPTION | NOTE |
|------|-----|------------------|---|---------------------------------------|
| 1 | 2 | 40253 | Ram Cylinder | |
| 2 | 1 | 47142 | Left Hoop Brace Post | Up to SN 2170L006 also req. Item 5 |
| 3 | 1 | 47151 | Right Hoop Brace Post | Up to SN 2170L006 also req. Item 5 |
| 4 | 2 | 47283 | Cylinder Tie Down | |
| 5 | 2 | 48663 | Door Mount Bracket | |
| 6 | 4 | CB1/2-13X1.25CZ5 | Carriage Bolt - 1/2-13 x 1 1/4" Grade 5 Zinc | |
| 7 | 2 | FW 1/4 | Flatwasher - 1/4" Zinc Plated USS | |
| 8 | 8 | FW 5/8 | Flatwasher - 5/8" Zinc Plated USS | |
| 9 | 2 | HB1/4-20X1.25Z5 | Hex Bolt 1/4-20x1 1/4 Grade 5 Zinc Plated Hex Cap Screw | |
| 10 | 4 | HB3/8-16X1Z5 | Hex Bolt 3/8-16x1 Grade 5 Zinc Plated Hex Cap Screw | |
| 11 | 2 | HB3/8-16X2Z5 | Hex Bolt 3/8-16x2 Grade 5 Zinc Plated Hex Cap Screw | |
| 12 | 4 | HB5/8-11X4Z5 | Hex Bolt 5/8-11x4 Grade 5 Zinc Plated Hex Cap Screw | |
| 13 | 2 | LN1/4-20NCZ5 | LN 1/4-20 Zinc Plated Nylon Insert Lock Nut | |
| 14 | 4 | LN1/2-13NCZ5 | LN 1/2-13 Zinc Plated Nylon Insert Lock Nut | |
| 15 | 6 | LN3/8-16NCZ5 | LN 3/8-16 Zinc Plated Nylon Insert Lock Nut | |
| 16 | 5 | LN5/8-11NCZ5 | LN 5/8-11 Zinc Plated Nylon Insert Lock Nut | |
| 17 | 2 | TL550-200-109 | Cylinder Support | |

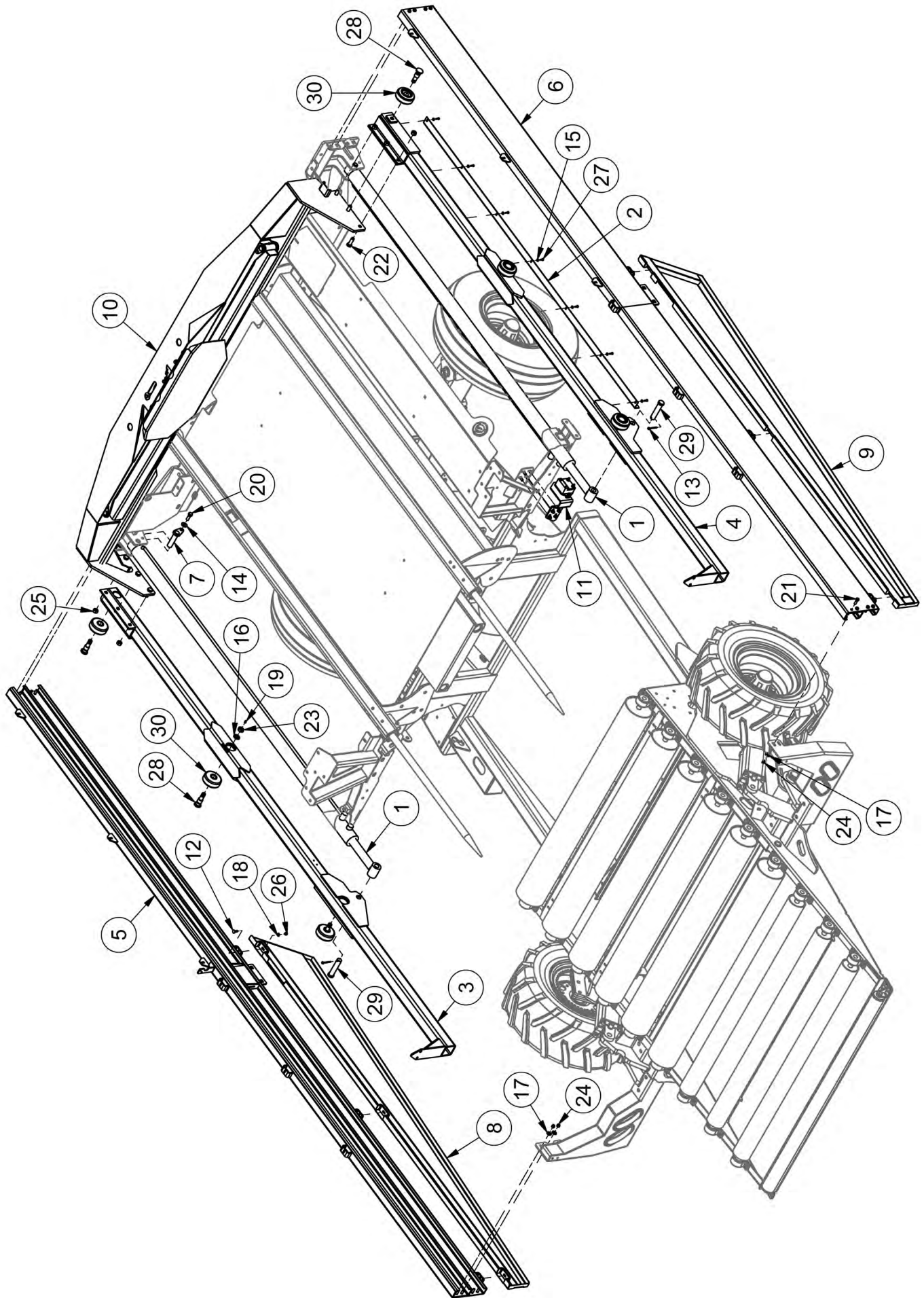
Front Corners



Front Corners

| ITEM | QTY | PART NUMBER | DESCRIPTION |
|------|-----|-------------------|---|
| 1 | 1 | 47102 | Front Left Corner |
| 2 | 1 | 47109 | Front Right Corner |
| 3 | 2 | 47223 | Front Bolt-On |
| 4 | 2 | 47225 | Back Bolt-On |
| 5 | 8 | FW 3/8 | Flatwasher - 3/8" Zinc Plated USS |
| 6 | 8 | HB 3/8-16X1.25 Z5 | Hex Bolt 3/8-16x1 1/4 Grade 5 Zinc Plated Hex Cap Screw |
| 7 | 10 | HB 5/8-11X2 Z5 | Hex Bolt 5/8-11x2 Grade 5 Zinc Plated Hex Cap Screw |
| 8 | 8 | LN 3/8 N | LN 3/8-16 Zinc Plated Nylon Insert Lock Nut |
| 9 | 6 | LN 5/8 N | LN 5/8-11 Zinc Plated Nylon Insert Lock Nut |

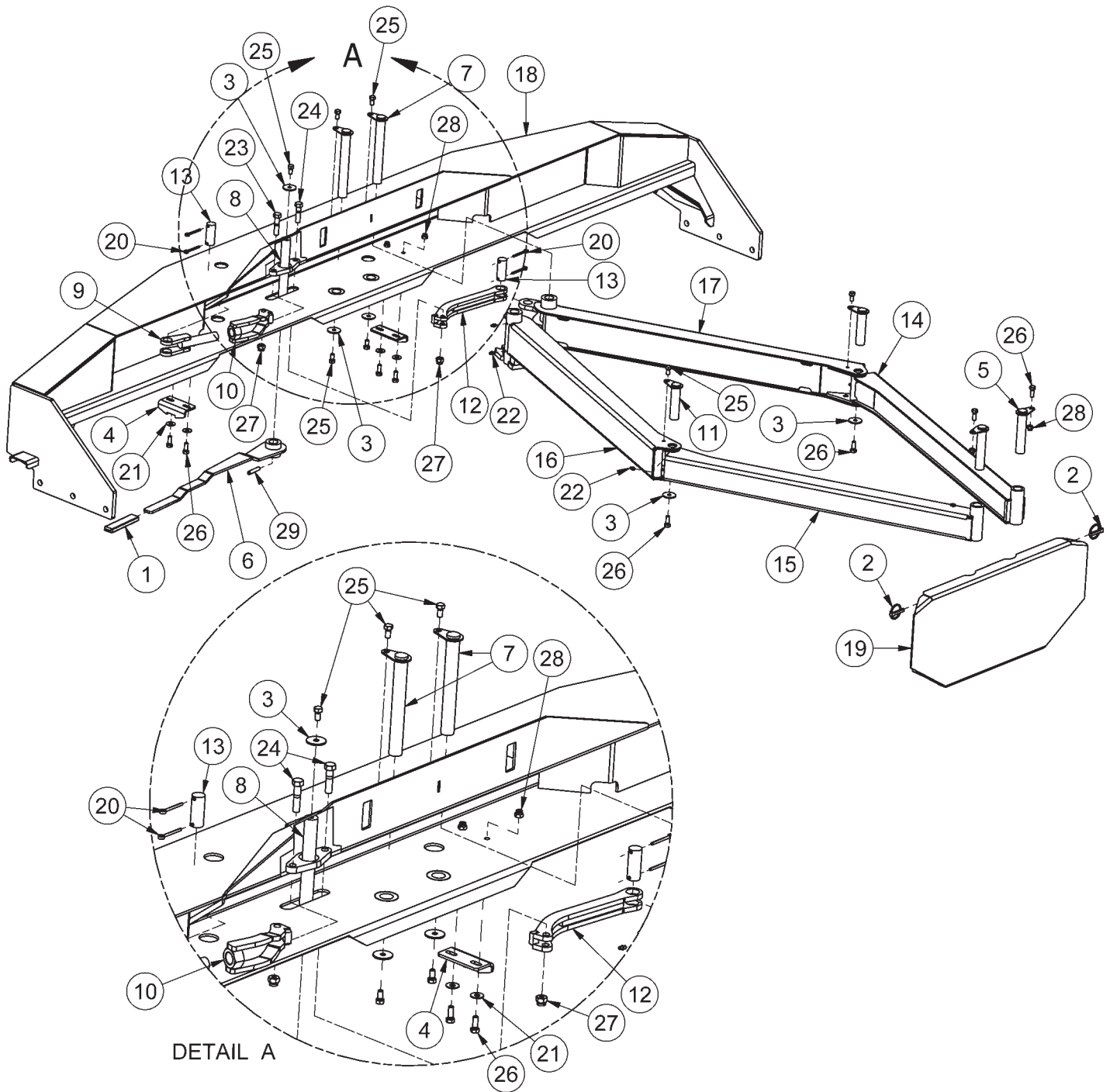
Side Rails



Side Rails

| ITEM | QTY | PART NUMBER | DESCRIPTION | NOTE |
|------|-----|------------------|---|-------------------------|
| 1 | 2 | 40253 | Rod Ported Ram Cylinder | |
| 2 | 1 | 44720 | Speed Sensor Guide | |
| 3 | 1 | 47115 | Left Side Ram Tube | |
| 4 | 1 | 47125 | Right Side Ram Tube | |
| 5 | 1 | 47172 | Left Side Rail | |
| 6 | 1 | 47180 | Right Side Rail | |
| 7 | 2 | 47230 | Ram Cylinder Pin | |
| 8 | 1 | 47274 | Back Left Side Shield | |
| 9 | 1 | 47279 | Back Right Side Shield | |
| 10 | 1 | 47330 | TL70 Complete Ram Asm | Pg.1-24 |
| 11 | 1 | 47331 | ECV Encoder Bracket Asm | Pg.4-6 |
| 12 | 6 | CB5/16-18X1CZ5 | Carriage Bolt - 5/16-18 x 1" Grade 5 Zinc | |
| 13 | 2 | CP.188 X 2 | 3-16 x 2.25 Cotter Pin, Brass | |
| 14 | 2 | FW 1/2 | Flatwasher - 1/2" Zinc Plated USS | |
| 15 | 7 | FW 1/4 | Flatwasher - 1/4" Zinc Plated USS | |
| 16 | 6 | FW 3/4 | Flatwasher - 3/4" Zinc Plated USS | |
| 17 | 27 | FW 3/8 | Flatwasher - 3/8" Zinc Plated USS | |
| 18 | 6 | FW 5/16 | Flatwasher - 5/16" Zinc Plated USS | |
| 19 | 6 | GR 1/4 X 28 | Grease Fitting 1/4-28 Straight Standard Zerk | |
| 20 | 2 | HB1/2-13X1.5Z5 | Hex Bolt 1/2-13x1 1/2 Grade 5 Zinc Plated Hex Cap Screw | |
| 21 | 20 | HB3/8-16X1.25Z5 | Hex Bolt 3/8-16x1 1/4 Grade 5 Zinc Plated Hex Cap Screw | |
| 22 | 6 | HB5/8-18X1.75YZ8 | Hex Bolt 5/8-18x1 3/4 Grade 8 Zinc Hex Cap Screw | |
| 23 | 6 | HNJ3/4-10 | Hex Nut - 3/4-10 Zinc Plated Hex Jam Nut | |
| 24 | 24 | LN3/8-16NCZ5 | LN 3/8-16 Zinc Plated Nylon Insert Lock Nut | |
| 25 | 6 | LN5/8-11TCZ5 | LN5/8-11 Gr.C Zinc Top Lock Nut | |
| 26 | 6 | LN5/16-18NCZ5 | LN 5/16-18 Zinc Plated Nylon Insert Lock Nut | |
| 27 | 7 | MS 10 X 0.75 SDS | Machine Screw - 10 x 3/4 Hex Washer Head Self Drilling Screw Zinc | |
| 28 | 6 | TL5X2-301-156 | Ram Wheel Axle | |
| 29 | 2 | TL550-100-042 | Ram Cylinder Pin | |
| 30 | 6 | TLWHEEL0205 | Ram Rail Wheel | |

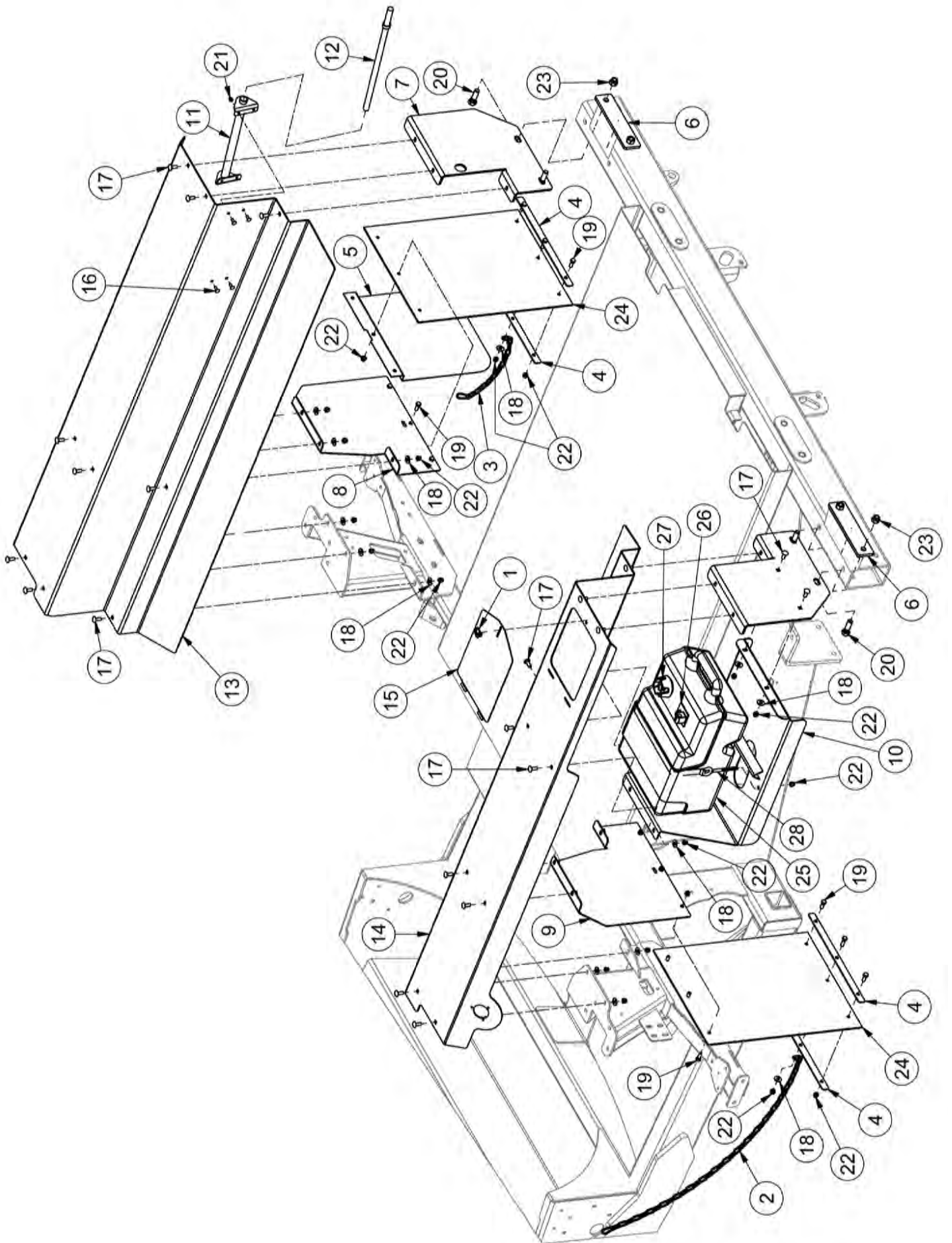
47730 - Complete Ram



47730 - Complete Ram

| ITEM | QTY | PART NUMBER | DESCRIPTION | NOTE |
|------|-----|-----------------|---|-----------------------------|
| 1 | 1 | 22707 | Rubber Handle for 3/8 X 1 Flat Bar | |
| 2 | 2 | 28940 | Lynch Pin - 3/8 X 1-3/4" | |
| 3 | 5 | 30924 | Pin Washer | |
| 4 | 2 | 30958 | Handle Holder | |
| 5 | 2 | 30980 | Last Pushoff Plate Pin | |
| 6 | 1 | 30981 | Last Pushoff Handle | |
| 7 | 2 | 30982 | Pushoff Middle Pin | |
| 8 | 1 | 30983 | Linkage Pivot | |
| 9 | 1 | 30985 | Linkage Adjuster | |
| 10 | 1 | 30986 | Pivot Adjuster | |
| 11 | 2 | 30988 | Arm Joint Pin | |
| 12 | 1 | 30989 | Solid Pivot Arm | |
| 13 | 2 | 30993 | Ram Linkage Mount Pin | |
| 14 | 1 | 44112 | Right Small Arm | 30462 before SN 2170L022 |
| 15 | 1 | 44113 | Left Small Arm | 30457 before SN 2170L022 |
| 16 | 1 | 44116 | Left Large Arm | 30455 before SN 2170L022 |
| 17 | 1 | 44117 | Right Large Arm | 30456 before SN 2170L022 |
| 18 | 1 | 47099 | TL70 Ram Base | |
| 19 | 1 | 47334 | Push Plate | |
| 20 | 4 | CP.188 X 2 | 3-16 x 2.25 Cotter Pin, Brass | |
| 21 | 4 | FW 3/8 | Flatwasher - 3/8" Zinc Plated USS | |
| 22 | 8 | GR 1/4 X 28 | Grease Fitting 1/4-28 Straight Standard Zerk | |
| 23 | 1 | HB1/2-13X2.25Z5 | Hex Bolt 1/2-13x2 1/4 Grade 5 Zinc Plated Hex Cap Screw | |
| 24 | 1 | HB1/2-13X2Z5 | Hex Bolt 1/2-13x2 Grade 5 Zinc Plated Hex Cap Screw | |
| 25 | 7 | HB3/8-16X0.75Z5 | Hex Bolt 3/8-16x3/4 Grade 5 Zinc Plated Hex Cap Screw | |
| 26 | 8 | HB3/8-16X1Z5 | Hex Bolt 3/8-16x1 Grade 5 Zinc Plated Hex Cap Screw | |
| 27 | 2 | LN1/2-13NCZ5 | LN 1/2-13 Zinc Plated Nylon Insert Lock Nut | |
| 28 | 6 | LN3/8-16NCZ5 | LN 3/8-16 Zinc Plated Nylon Insert Lock Nut | |
| 29 | 1 | RP 3/8 x 2 | Pin - Roll Pin 3/8 x 2 | |

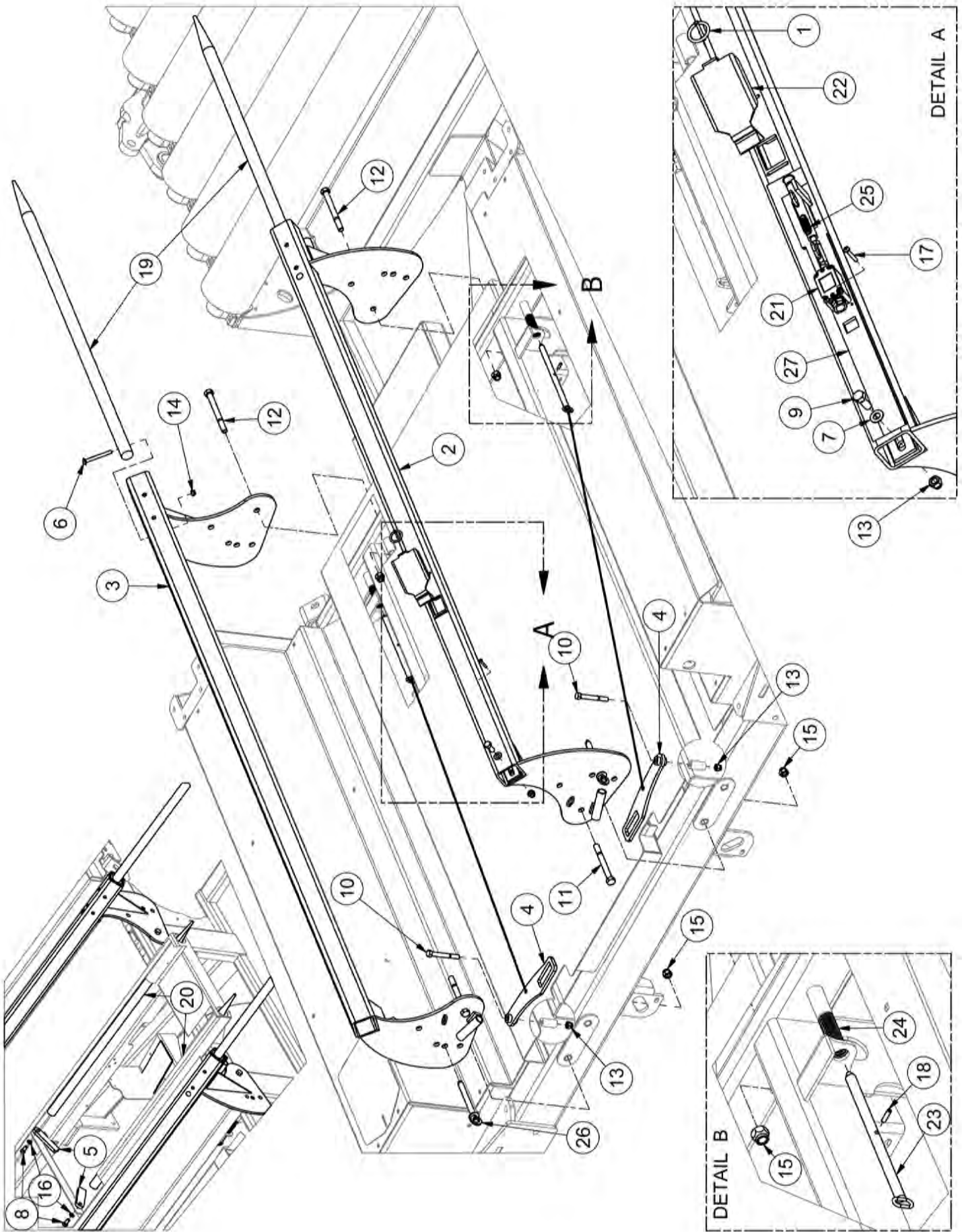
Bale Deck



Bale Deck

| ITEM | QTY | PART NUMBER | DESCRIPTION |
|------|-----|--------------------|---|
| 1 | 1 | 36268 | Cam Lock |
| 2 | 1 | 40958 | Mud Flap Chain RH |
| 3 | 1 | 40959 | Mud Flap Chain LH |
| 4 | 5 | 44232 | Mud Flap Bracket |
| 5 | 1 | 44234 | Mud Flap Shield |
| 6 | 2 | 47225 | Back Bolt-On |
| 7 | 1 | 47237 | Left Fender Mount |
| 8 | 1 | 47239 | Left Mud Flap Bracket |
| 9 | 1 | 47240 | HRP 0.135 in |
| 10 | 1 | 47241 | Gas Tank Mount |
| 11 | 1 | 47257 | Riser Handle Holder |
| 12 | 1 | 47260 | Saddle Adjust Handle |
| 13 | 1 | 47262 | Left Side Fender |
| 14 | 1 | 47263 | Right Side Fender |
| 15 | 1 | 47264 | Gas Fill Lid |
| 16 | 4 | CB 1/4-20 X0.75 Z5 | Carriage Bolt - 1/4-20 x 3/4" Grade 5 Zinc |
| 17 | 23 | CB 3/8-16 X1 Z5 | Carriage Bolt - 3/8-16 x 1" Grade 5 Zinc |
| 18 | 25 | FW 3/8 | Flatwasher - 3/8" Zinc Plated USS |
| 19 | 10 | HB 3/8-16X1 Z5 | Hex Bolt 3/8-16x1 Grade 5 Zinc Plated Hex Cap Screw |
| 20 | 4 | HB 5/8-11X2 Z5 | Hex Bolt 5/8-11x2 Grade 5 Zinc Plated Hex Cap Screw |
| 21 | 4 | LN 1/4 N | LN 1/4-20 Zinc Plated Nylon Insert Lock Nut |
| 22 | 37 | LN 3/8 N | LN 3/8-16 Zinc Plated Nylon Insert Lock Nut |
| 23 | 2 | LN 5/8 N | LN 5/8-11 Zinc Plated Nylon Insert Lock Nut |
| 24 | 2 | TL500-100-163 | Mud Flap |
| 25 | 1 | TL550-204-100 | Fuel Tank |
| 26 | 1 | TL550-204-103 | Fuel Gauge - Bale Wrapper |
| 27 | 1 | TL550-204-101 | Fuel Tank Vented Cap |
| 28 | 1 | TL550-204-110 | Tie Down Strap (Fuel Tank) |

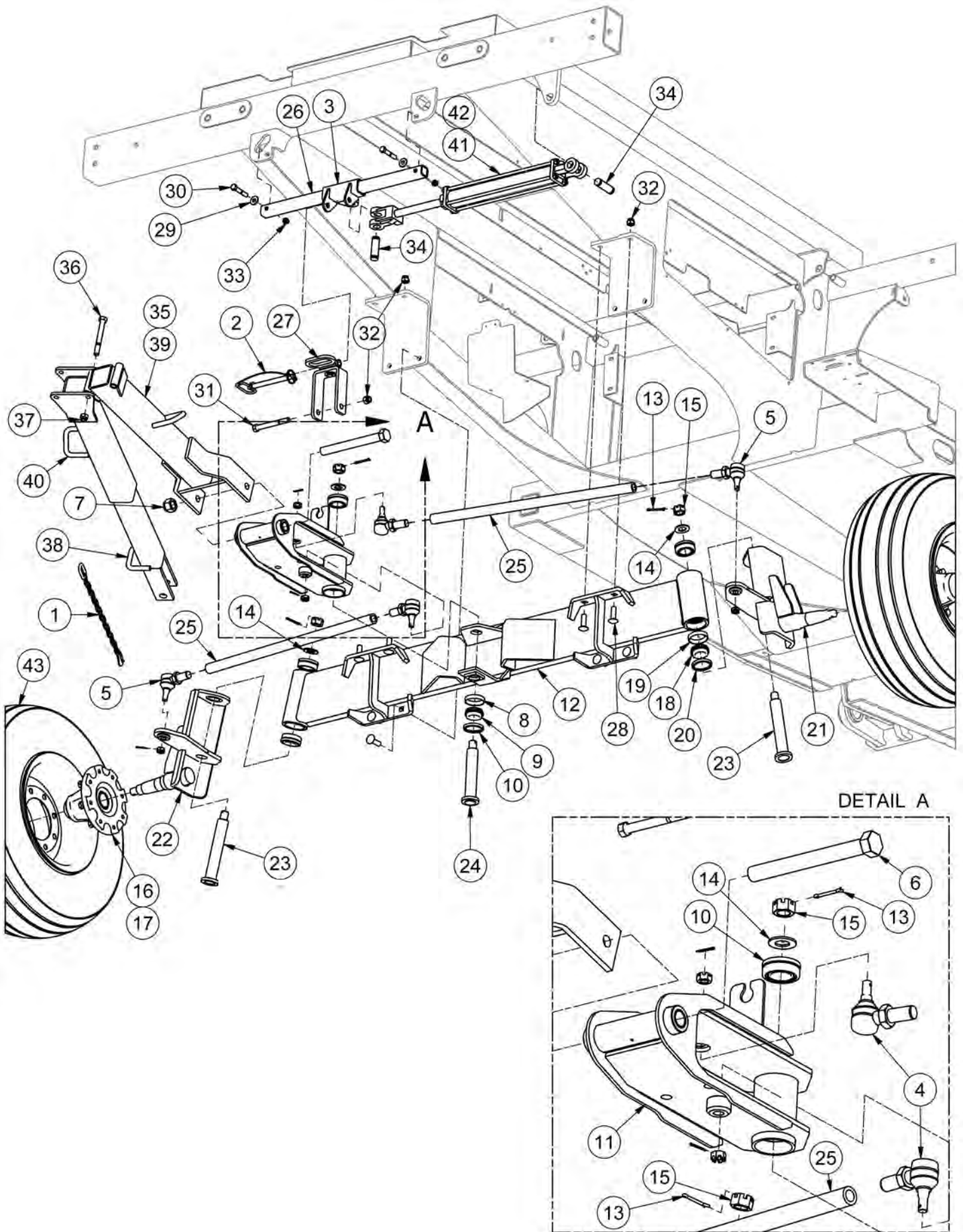
Bale Saddles



Bale Saddles

| ITEM | QTY | PART NUMBER | DESCRIPTION |
|------|-----|-------------------|---|
| 1 | 1 | 25680 | Linch Pin 3/16 X 1.5 |
| 2 | 1 | 47112 | Left Bale Saddle |
| 3 | 1 | 47114 | Right Bale Saddle |
| 4 | 2 | 47227 | Cable Handle |
| 5 | 2 | 47236 | Center Spear Handle |
| 6 | 2 | CB 3/8-16 X3.5 Z5 | Carriage Bolt - 3/8-16 x 3 1/2" Grade 5 Zinc |
| 7 | 1 | FW 1/2 | Flatwasher - 1/2" Zinc Plated USS |
| 8 | 2 | HB 1/2-13X1 Z5 | Hex Bolt 1/2-13x1 Grade 5 Zinc Plated Hex Cap Screw |
| 9 | 1 | HB 1/2-13X1.25 Z5 | Hex Bolt 1/2-13x1 1/4 Grade 5 Zinc Plated Hex Cap Screw |
| 10 | 2 | HB 1/2-13X4 Z5 | Hex Bolt 1/2-13x4 Grade 5 Zinc Plated Hex Cap Screw |
| 11 | 2 | HB 5/8-11X6 Z5 | Hex Bolt 5/8-11x6 Grade 5 Zinc Plated Hex Cap Screw |
| 12 | 2 | HB 5/8-11X6.5 Z5 | Hex Bolt 5/8-11x6 1/2 Grade 5 Zinc Plated Hex Cap Screw |
| 13 | 3 | LN 1/2 N | LN 1/2-13 Zinc Plated Nylon Insert Lock Nut |
| 14 | 5 | LN 3/8 N | LN 3/8-16 Zinc Plated Nylon Insert Lock Nut |
| 15 | 4 | LN 5/8 N | LN 5/8-11 Zinc Plated Nylon Insert Lock Nut |
| 16 | 2 | LW 1/2 | LW - 1/2" Zinc Plated Medium Split |
| 17 | 4 | MS #12X24X1.5 | Machine Screw - (Inch) |
| 18 | 2 | RP 1/4 x 1 | Pin - Roll Pin 1/4 x 1 |
| 19 | 2 | T5502251 | Bale Spear (Outside) |
| 20 | 2 | T6502119 | Bale Spear (Inside) |
| 21 | 1 | 32634 | ECV Bale Trigger Switch |
| 22 | 1 | TL5X2-301-142 | Bale Trigger |
| 23 | 2 | TL6X2-101-147 | Rear Saddle Pin |
| 24 | 2 | TL6X2-101-148 | C2464-267-0889 Compression Spring |
| 25 | 1 | TL500-100-062 | Extension Spring (Trigger) |
| 26 | 2 | TL550-200-104 | Front Bale Saddle Pin |
| 27 | 1 | TL553900 | Trigger Switch |

Steering

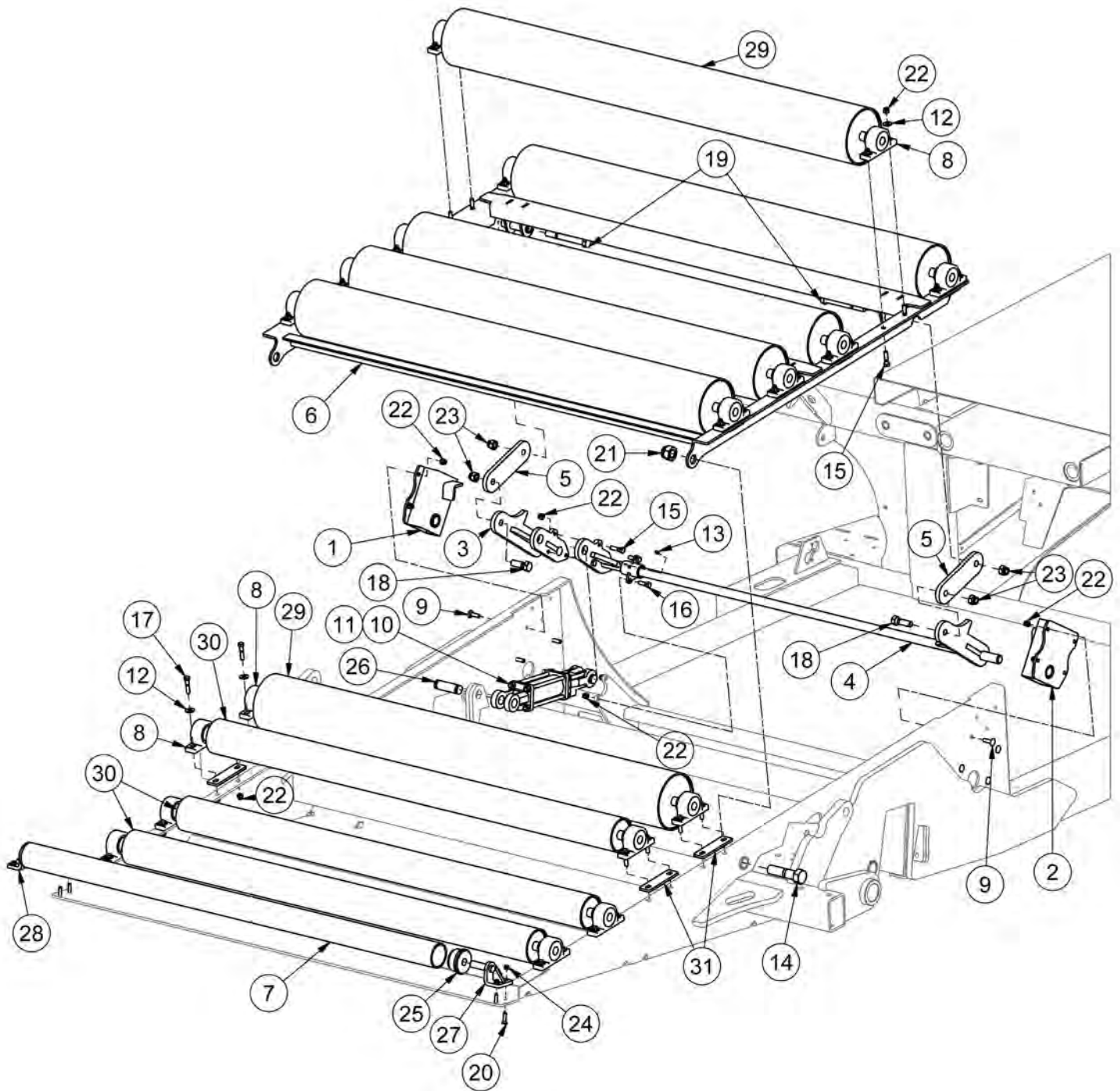


Steering

| ITEM | QTY | PART NUMBER | DESCRIPTION |
|------|-----|-------------------|---|
| 1 | 1 | 25261 | Safety Chain 10000 # 59" |
| 2 | 1 | 25522 | Hitch Pin 5/8 X 6.5 |
| 3 | 1 | 44547 | Steering Cylinder Mount |
| 4 | 2 | TL550-111-006 | Tie Rod End RH Thread |
| 5 | 2 | TL550-111-007 | Tie Rod End LH Thread |
| 6 | 1 | HB1.0-8X8.0CZ5 | 1"-8 x 8" Grade 5 Zinc Finish Hex Cap Screw |
| 7 | 1 | LN1-8TCZ5 | 1"-8 Grade 5 Zinc Finish Steel Top Lock Nut |
| 8 | 2 | TL550-111-009 | Tongue Bracket Timkin Cup |
| 9 | 2 | TL550-111-010 | Tongue Bracket Timkin Bearing |
| 10 | 2 | TL550-111-011 | Tongue Bracket Seal |
| 11 | 1 | TL650-221-083 | Tongue Bracket Assembly |
| 12 | 1 | 47080 | TL70 Front Axle |
| 13 | 3 | CP 3/16 X 2.0 | Pin, Cotter - 3/16" X 2.0" |
| 14 | 3 | FW 1.0 | Flatwasher - 1" Zinc Plated USS |
| 15 | 3 | HNC1.0-12FB5 | 1-12 Grade 5 Plain Castle Nut |
| 16 | 2 | HUB 6500 | 6500 Hub c/w Parts |
| 17 | 2 | HUB 6500-CCS | Complete Bearing and Seals for HUB6500 |
| 18 | 4 | TL550-200-080 | Spindle Bearing Timkin Cone |
| 19 | 4 | TL550-200-081 | Spindle Bearing Timkin Cup |
| 20 | 4 | TL550-200-082 | Spindle Bearing Seal |
| 21 | 1 | TL650-100-083 | Left Side Spindle Assembly |
| 22 | 1 | TL650-100-084 | Right Side Spindle Assembly |
| 23 | 2 | TL650-100-085 | Spindle Pin |
| 24 | 1 | TL650-221-055 | Tongue Bracket Pin |
| 25 | 2 | TL650-221-082 | Tie Rod (32") |
| 26 | 1 | 47183 | Steering Tube |
| 27 | 1 | 47184 | TL70 Tongue Holder |
| 28 | 8 | CB 5/8-11 X2 Z5 | Carriage Bolt - 5/8-11 x 2" Grade 5 Zinc |
| 29 | 2 | FW 1/2 | Flatwasher - 1/2" Zinc Plated USS |
| 30 | 2 | HB 1/2-13X2.75 Z5 | Hex Bolt 1/2-13x2 3/4 Grade 5 Zinc Plated Hex Cap Screw |
| 31 | 1 | HB 5/8-11X5.5 Z5 | Hex Bolt 5/8-11x5 1/2 Grade 5 Zinc Plated Hex Cap Screw |
| 32 | 9 | LN 5/8 N | LN 5/8-11 Zinc Plated Nylon Insert Lock Nut |
| 33 | 2 | LN 7/16 N | LN 7/16-14 Zinc Plated Nylon Insert Lock Nut |
| 34 | 2 | TL5X2-500-116 | Cylinder Pin |
| 35 | 1 | TL6X2-100-051 | Tongue |
| 36 | 1 | HB 5/8-11X5.5 Z5 | Hex Bolt 5/8-11x5 1/2 Grade 5 Zinc Plated Hex Cap Screw |
| 37 | 1 | LN 5/8 N | LN 5/8-11 Zinc Plated Nylon Insert Lock Nut |
| 38 | 1 | TL6X2-100-053 | Sliding Tongue |
| 39 | 1 | TL6X2-101-051 | Main Tongue |
| 40 | 1 | TL6X2-101-052 | Swinging Tongue |
| 41 | 1 | TL500-100-103 | Hydraulic Cylinder, 2 x 16 |
| 42 | 1 | SK AGU201125-10 | Seal Kit - 2" Kinacor Cylinder |
| 43 | 2 | WHE 12.5X15X12 | 12.5 x 15 12 Ply HS Includes Rim |

*When ordering tie rod ends check if you need a left hand or right hand thread.
Tie rods require both a left and right hand thread.

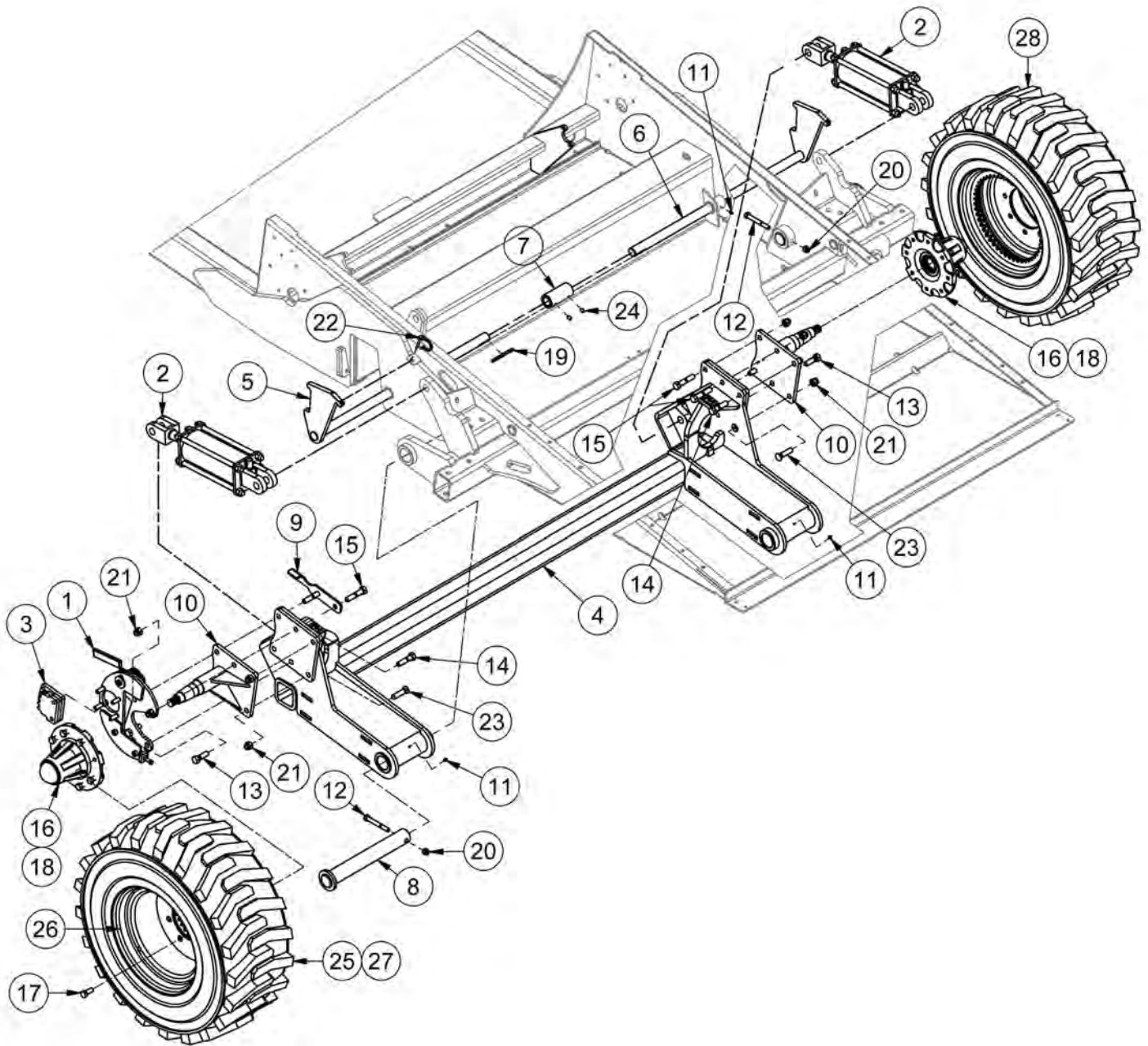
Roller Bed



Roller Bed

| ITEM | QTY | PART NUMBER | DESCRIPTION |
|------|-----|-----------------------|---|
| 1 | 1 | 47193 | Linkage Pivot Bracket |
| 2 | 1 | 47198 | Linkage Pivot Bracket |
| 3 | 1 | 47200 | Lift Linkage |
| 4 | 1 | 47205 | Lift Linkage |
| 5 | 2 | 47209 | Roller Bed Top Link |
| 6 | 1 | 47210 | Roller Bed |
| 7 | 1 | 47332 | Rear Small Roller |
| 8 | 18 | BEA P205-16-1 | Pillow Block Bearing 1"- BEA SBP205-16-1 |
| 9 | 8 | CB 3/8-16 X1.25 Z5 | Carriage Bolt - 3/8-16 x 1 1/4" Grade 5 Zinc |
| 10 | 1 | CYL HYS20AGU04-10 | Hydraulic Cylinder - 2" X 4" |
| 11 | 1 | SK AGU201125-10 | Seal Kit - 2" Kinecor Cylinder |
| 12 | 52 | FW 3/8 | Flatwasher - 3/8" Zinc Plated USS |
| 13 | 3 | GR 1/4 X 28 | Grease Fitting 1/4-28 Straight Standard Zerk |
| 14 | 2 | HB 1-8X4 Z5 | Hex Bolt 1-8x4 Grade 5 Zinc Plated Hex Cap Screw |
| 15 | 31 | HB 3/8-16X1.5 Z5 | Hex Bolt 3/8-16x1 1/2 Grade 5 Zinc Plated Hex Cap Screw |
| 16 | 2 | HB 3/8-16X1.25 Z5 | Hex Bolt 3/8-16x1 1/4 Grade 5 Zinc Plated Hex Cap Screw |
| 17 | 8 | HB 3/8-16X1.75 Z5 | Hex Bolt 3/8-16x1 3/4 Grade 5 Zinc Plated Hex Cap Screw |
| 18 | 2 | HB 5/8-11X2 Z5 | Hex Bolt 5/8-11x2 Grade 5 Zinc Plated Hex Cap Screw |
| 19 | 2 | HB 5/8-11X5.5 Z5 | Hex Bolt 5/8-11x5 1/2 Grade 5 Zinc Plated Hex Cap Screw |
| 20 | 4 | HB 5/16-18X1.25 FHSCS | Hex Bolt - 5/16"-18 x 1 1/4" Flat Socket Cap Screw |
| 21 | 2 | LN 1 N | LN 1-8 Zinc Plated Nylon Insert Lock Nut |
| 22 | 49 | LN 3/8 N | LN 3/8-16 Zinc Plated Nylon Insert Lock Nut |
| 23 | 5 | LN 5/8 N | LN 5/8-11 Zinc Plated Nylon Insert Lock Nut |
| 24 | 4 | LN 5/16 N | LN 5/16-18 Zinc Plated Nylon Insert Lock Nut |
| 25 | 2 | T650RL04 | Small Roller Bearing |
| 26 | 2 | TL5X2-500-116 | Cylinder Pin |
| 27 | 1 | TL550-200-004 | Right Rear Small Roller Mount |
| 28 | 1 | TL550-200-005 | Left Rear Small Roller Mount |
| 29 | 6 | TL650-100-086 | Large Roller |
| 30 | 3 | TL650-100-099 | 4" Roller |
| 31 | 4 | TL551310 | Roller Spacer Plate |

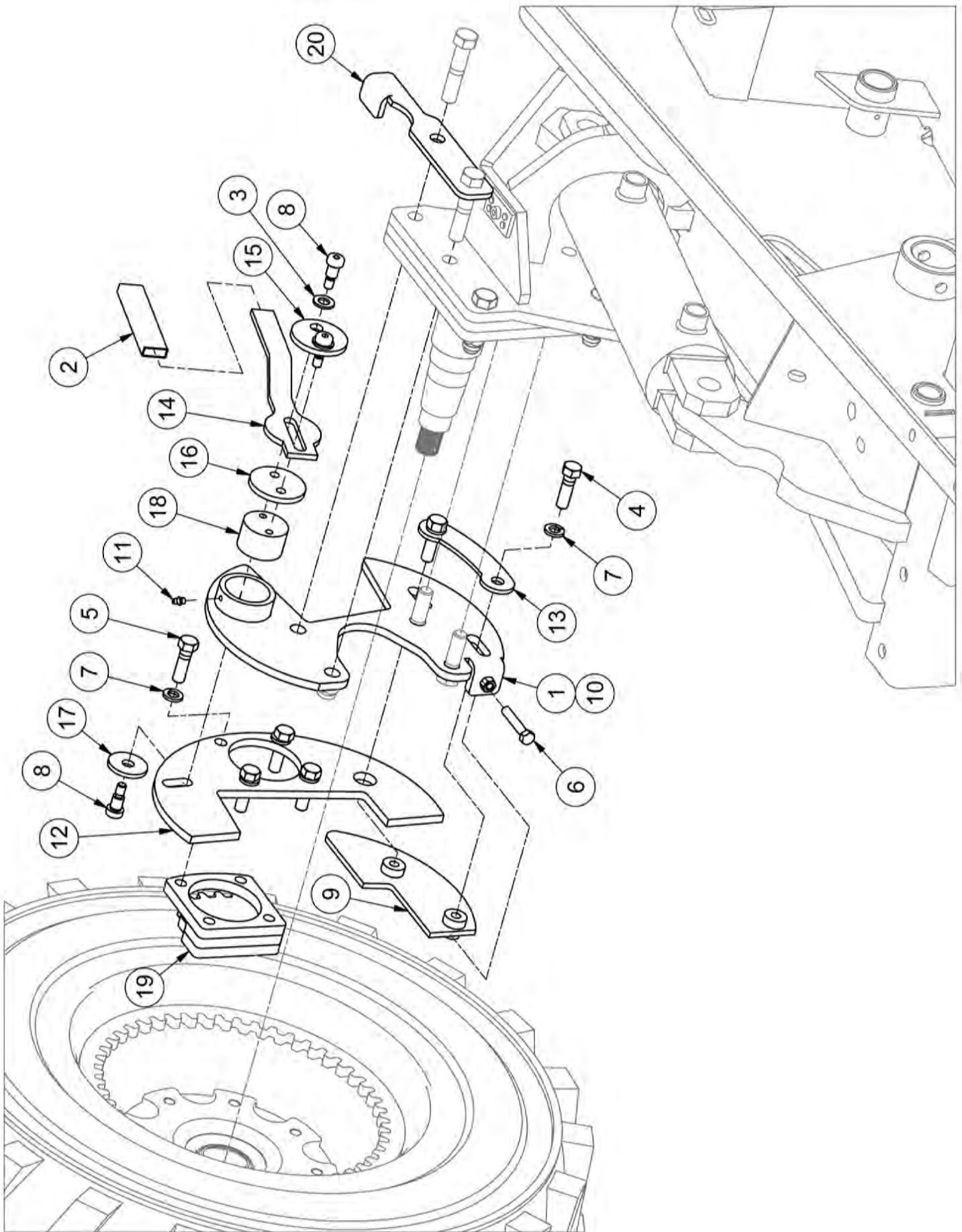
Rear Axle



Rear Axle

| ITEM | QTY | PART NUMBER | DESCRIPTION | NOTE |
|------|-----|------------------|---|---------------------------------|
| 1 | 1 | 28779 | Left Power Drive | Refer to Pg.1-36 |
| 2 | 2 | 46792 | Hydraulic Cylinder 4.0 x 8.0 | TL5X2-100-207 Up to SN 2170L015 |
| 3 | 1 | 46990 | TL70 Brake Pad | |
| 4 | 1 | 47085 | TL70 Axle | |
| 5 | 1 | 47218 | Left Transport Lock | |
| 6 | 1 | 47221 | Right Transport Lock | |
| 7 | 1 | 47222 | Shaft Coupler | |
| 8 | 2 | 47233 | Axle Pivot Pin | |
| 9 | 1 | 47486 | Left Side Handle Stop | |
| 10 | 2 | 48662 | Rear Spindle Weldment | |
| 11 | 4 | GR 1/4 X 28 | Grease Fitting 1/4-28 Straight Standard Zerk | |
| 12 | 2 | HB1/2-13X4Z5 | Hex Bolt 1/2-13x4 Grade 5 Zinc Plated Hex Cap Screw | |
| 13 | 4 | HB5/8-11X2Z5 | Hex Bolt 5/8-11x2 Grade 5 Zinc Plated Hex Cap Screw | |
| 14 | 2 | HB5/8-11X2.5Z5 | Hex Bolt 5/8-11x2 1/2 Grade 5 Zinc Plated Hex Cap Screw | |
| 15 | 4 | HB5/8-11X3Z5 | Hex Bolt 5/8-11x3 Grade 5 Zinc Plated Hex Cap Screw | |
| 16 | 2 | HUB 6500 | Wrapper Hub Model | |
| 17 | 16 | TL500-100-072 | Wheel Stud - Wheel Bolt 9/16 X 1 3/4 | |
| 18 | 2 | HUB 6500-CCS | Complete Bearing and Seals for HUB6500 | |
| 19 | 1 | KS46962 | Keystock .25 x 4 | |
| 20 | 2 | LN1/2-13NCZ5 | LN 1/2-13 Zinc Plated Nylon Insert Lock Nut | |
| 21 | 8 | LN5/8-11NCZ5 | LN 5/8-11 Zinc Plated Nylon Insert Lock Nut | |
| 22 | 1 | LP B1995 | Pin - Lock Pin 1/4 X 1 3/4 | |
| 23 | 2 | PB 5/8-11X2.5 | Plow Bolts - 5/8-11 x 2 1/2 Flat Head Gr.5 | |
| 24 | 2 | SS3/8-16CX0.51CP | Allan Head Set Screw, 3/8-16 x 1/2 | |
| 25 | 1 | 48318 | WHE12-16.5 Left Asm | Incl. Items 26,27 |
| 26 | 1 | 48241 | TL70 Rim c/w Gear | |
| 27 | 1 | WHE12-16.5 | Tire only-12-16.5 Galaxy Beefy Baby R-410PR | |
| 28 | 1 | 48319 | WHE12-16.5 Right Asm | Incl. Items 26,27 |

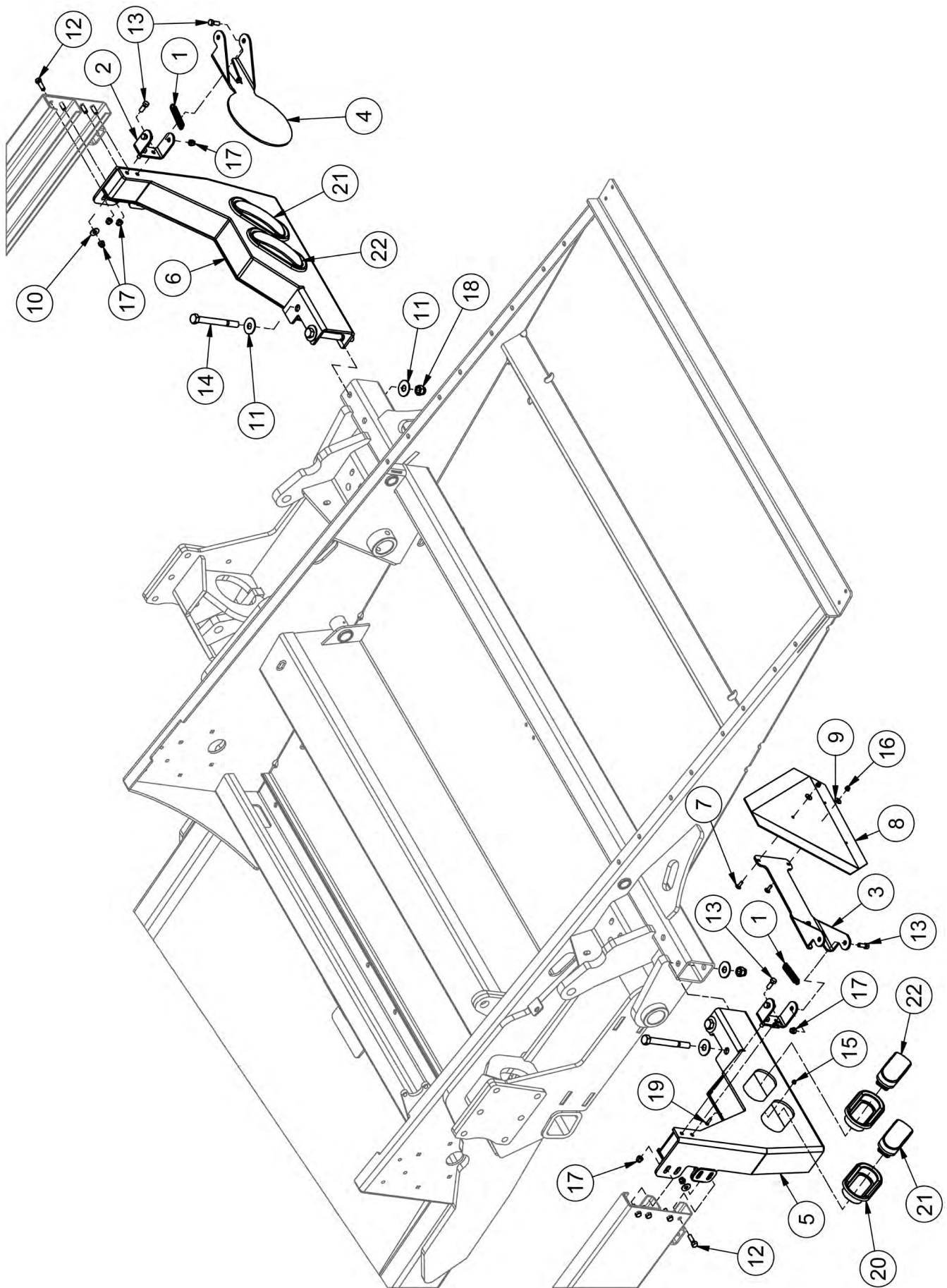
Parking Brake



Parking Brake

| ITEM | QTY | PART NUMBER | DESCRIPTION | NOTE |
|------|-----|---------------------|--|-----------------|
| 1 | 1 | 28779 | Left Power Drive | Inc. Items 2-18 |
| 2 | 1 | 22707 | Rubber Handle for 3/8 X 1 Flat Bar | |
| 3 | 2 | FWSAE 1/2 | Flatwasher - 1/2" Zinc Plated SAE | |
| 4 | 2 | HB 1/2-13X1.75 Z5 | Hex Bolt 1/2-13x1 3/4 Grade 5 Zinc Plated Hex Cap Screw | |
| 5 | 4 | HB1/2-13X1.75Z5 | Hex Bolt 1/2-13x1 3/4 Grade 5 Zinc Plated Hex Cap Screw | |
| 6 | 1 | HB3/8-16X2.0TCZ5 | 3/8"-16 x 2" SAE J429 Grade 5 Zinc Finish Steel Tap Bolt | |
| 7 | 6 | LW 1/2 | LW - 1/2" Zinc Plated Medium Split | |
| 8 | 3 | SHSS1/2X5/8X3/8-16Z | Socket Head Shoulder Screws - 1/2 Shldr x 5/8 x 3/8-16 | |
| 9 | 1 | TLWHEEL30 | Powerdrive Part | |
| 10 | 1 | TLWHEEL3108 | Left Powerdrive HD Bracket | |
| 11 | 1 | GR 1/4 X 28 | Grease Fitting 1/4-28 Straight Standard Zerk | |
| 12 | 1 | WHEEL1108 | Powerdrive Motor Mount | |
| 13 | 1 | WHEEL14 | Powerdrive Part | |
| 14 | 1 | WHEEL2011 | Powerdrive Handle | |
| 15 | 1 | WHEEL2012 | Outside Handle Washer | |
| 16 | 1 | WHEEL20121 | Inside Handle Washer | |
| 17 | 1 | WHEEL2013 | Inside Cam Washer | |
| 18 | 1 | WHEEL9 | Eccentric | |
| 19 | 1 | 46990 | TL70 Brake Pad | |
| 20 | 1 | 47486 | Left Side Handle Stop | |

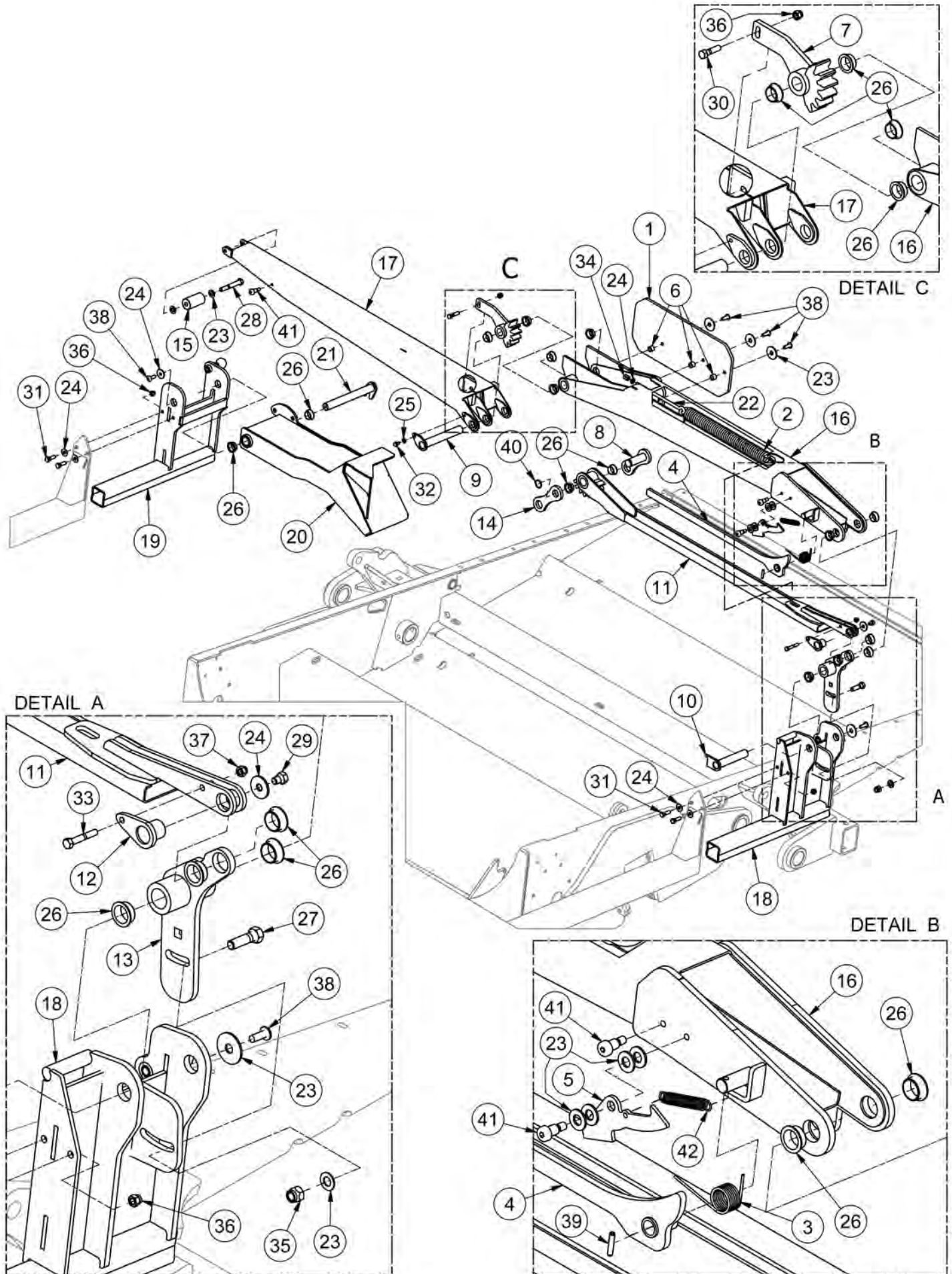
Rear Light Brackets



Rear Light Brackets

| ITEM | QTY | PART NUMBER | DESCRIPTION |
|------|-----|------------------|---|
| 1 | 2 | 28771 | SMV Spring |
| 2 | 2 | 44203 | SMV C Bracket |
| 3 | 1 | 44204 | SMV Attachment |
| 4 | 1 | 45923 | SIS Mount |
| 5 | 1 | 47165 | Left Side Light Bracket |
| 6 | 1 | 47170 | Right Side Light Bracket |
| 7 | 2 | CB1/4-20X0.75CZ5 | Carriage Bolt - 1/4-20 x 3/4" Grade 5 Zinc |
| 8 | 1 | DESMV | Slow Moving Vehicle Sign |
| 9 | 2 | FW 1/4 | Flatwasher - 1/4" Zinc Plated USS |
| 10 | 8 | FW 3/8 | Flatwasher - 3/8" Zinc Plated USS |
| 11 | 8 | FW 5/8 | Flatwasher - 5/8" Zinc Plated USS |
| 12 | 8 | HB3/8-16X1.25Z5 | Hex Bolt 3/8-16x1 1/4 Grade 5 Zinc Plated Hex Cap Screw |
| 13 | 8 | HB3/8-16X1Z5 | Hex Bolt 3/8-16x1 Grade 5 Zinc Plated Hex Cap Screw |
| 14 | 4 | HB5/8-11X6Z5 | Hex Bolt 5/8-11x6 Grade 5 Zinc Plated Hex Cap Screw |
| 15 | 2 | LN #10 N | LN 3/16-24 Zinc Plated Nylon Insert Lock Nut |
| 16 | 2 | LN1/4-20NCZ5 | LN 1/4-20 Zinc Plated Nylon Insert Lock Nut |
| 17 | 16 | LN3/8-16NCZ5 | LN 3/8-16 Zinc Plated Nylon Insert Lock Nut |
| 18 | 4 | LN5/8-11NCZ5 | LN 5/8-11 Zinc Plated Nylon Insert Lock Nut |
| 19 | 2 | MS #10X24X0.75 | Machine Screw - (Inch) |
| 20 | 4 | TL5X2-500-136 | Light Mount Grommet |
| 21 | 2 | TL5X2-500-138 | Amber Light |
| 22 | 2 | TL5X2-500-137 | Red Brake Light |

TLMPO-70 - Dispatch Arm

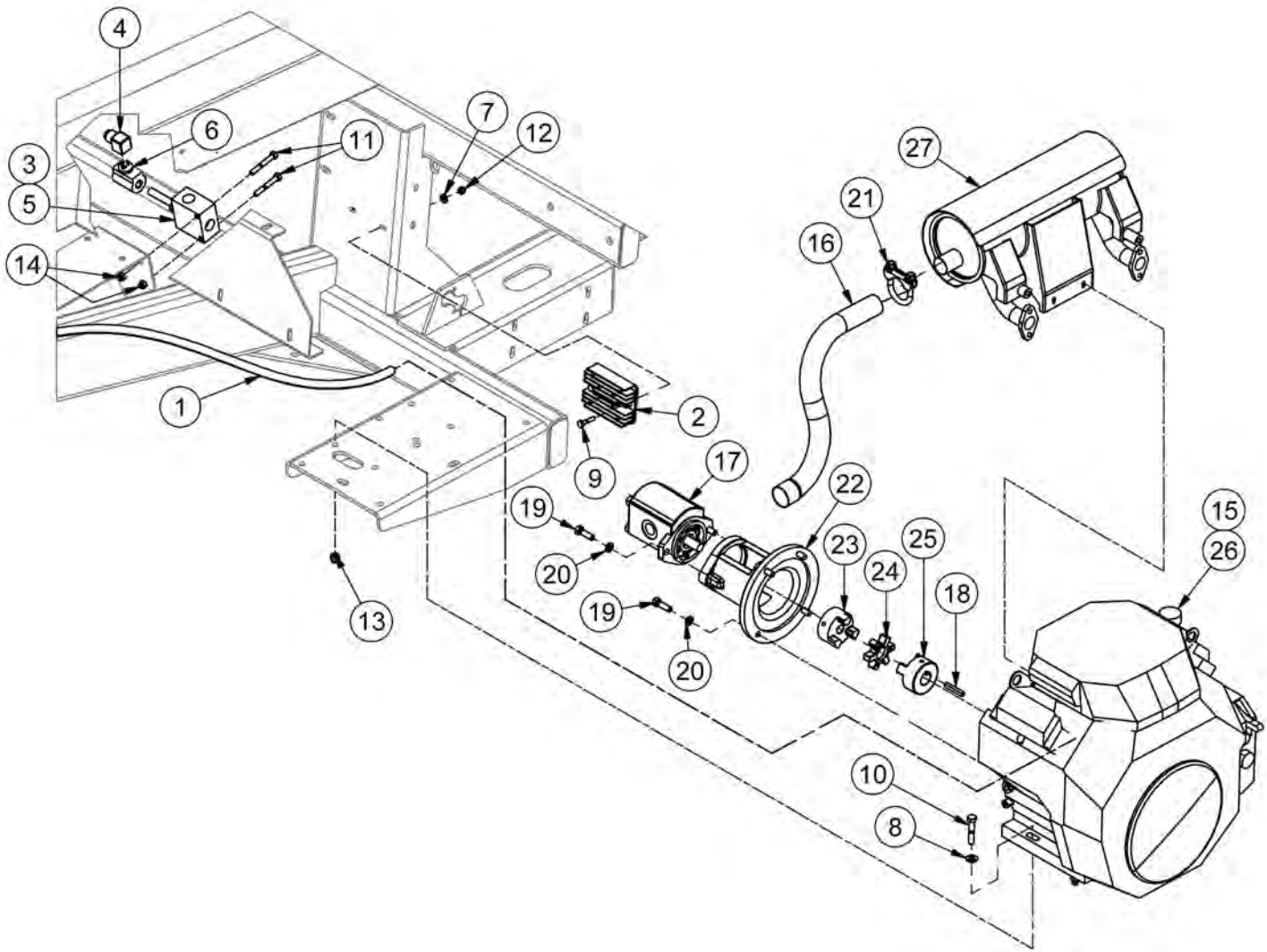


TLMPO-70 - Dispatch Arm

| ITEM | QTY | PART NUMBER | DESCRIPTION |
|------|-----|---------------------|---|
| 1 | 1 | 31302 | Rubber Pushoff Pad |
| 2 | 1 | 31395 | Dispatch Arm spring |
| 3 | 1 | 33230 | Torsion Spring |
| 4 | 1 | 33231 | Folding Pushoff Handle |
| 5 | 1 | 36690 | Folding Pushoff Latch |
| 6 | 3 | 36942 | Rubber Plate Spacer |
| 7 | 1 | 42570 | Pushoff Arm Sprocket |
| 8 | 1 | 42571 | Welded Chain Link |
| 9 | 1 | 42573 | Center Pivot Pin |
| 10 | 1 | 42574 | Rear Pivot Pin |
| 11 | 1 | 42575 | Inner Arm Linkage |
| 12 | 1 | 42576 | Short Pivot Pin |
| 13 | 1 | 42580 | Arm Lift Linkage |
| 14 | 1 | 42624 | Linkage Plate |
| 15 | 1 | 42636 | Last Pushoff Roller |
| 16 | 1 | 42773 | Left Folding Arm |
| 17 | 1 | 42775 | Right Folding Arm |
| 18 | 1 | 47308 | Left Last Pushoff Base |
| 19 | 1 | 47315 | Right Last Pushoff Base |
| 20 | 1 | 47320 | Last Pushoff Extension Arm |
| 21 | 1 | 47326 | Pivot Pin |
| 22 | 1 | EB3/8-16X6.0 | Eye Bolt - 3/8-16 x 6" Shank Zinc Plated Turned |
| 23 | 11 | FW 1/2 | Flatwasher - 1/2" Zinc Plated USS |
| 24 | 12 | FW 3/8 | Flatwasher - 3/8" Zinc Plated USS |
| 25 | 1 | FW 5/16 | Flatwasher - 5/16" Zinc Plated USS |
| 26 | 15 | GFI-1618-08 | IGUS Iglide G300 - Flange Bearing - Inch |
| 27 | 1 | HB 1/2-13X1.75 Z5 | Hex Bolt 1/2-13x1 3/4 Grade 5 Zinc Plated Hex Cap Screw |
| 28 | 1 | HB 1/2-13X3.5 Z5 | Hex Bolt 1/2-13x3 1/2 Grade 5 Zinc Plated Hex Cap Screw |
| 29 | 1 | HB 3/8-16X0.5 Z5 | Hex Bolt 3/8-16x1/2 Grade 5 Zinc Plated Hex Cap Screw |
| 30 | 1 | HB 3/8-16X1.5 Z5 | Hex Bolt 3/8-16x1 1/2 Grade 5 Zinc Plated Hex Cap Screw |
| 31 | 4 | HB 3/8-16X1.25 Z5 | Hex Bolt 3/8-16x1 1/4 Grade 5 Zinc Plated Hex Cap Screw |
| 32 | 1 | HB 5/16-18X0.5 Z5 | Hex Bolt 5/16-18x1/2 Grade 5 Zinc Plated Hex Cap Screw |
| 33 | 1 | HB 5/16-18X2 Z5 | Hex Bolt 5/16-18x2 Grade 5 Zinc Plated Hex Cap Screw |
| 34 | 2 | HN 3/8 | Hex Nut 3/8"-16 Grade 5 Zinc Plated Finished |
| 35 | 2 | LN 1/2 N | LN 1/2-13 Zinc Plated Nylon Insert Lock Nut |
| 36 | 10 | LN 3/8 N | LN 3/8-16 Zinc Plated Nylon Insert Lock Nut |
| 37 | 1 | LN 5/16 N | LN 5/16-18 Zinc Plated Nylon Insert Lock Nut |
| 38 | 5 | MS 3/8X16X1 | Machine Screw Slot Head -Slot Truss Head |
| 39 | 1 | RP 1/4 x 1 1/4 | Pin - Roll Pin 1/4 x 1 1/4 |
| 40 | 1 | RR 1 | Retaining Ring-1- External |
| 41 | 3 | SHSS1/2X5/8X3/8-16Z | Socket Head Shoulder Screws - 1/2 Shldr x 5/8 x 3/8-16 |
| 42 | 1 | TL550-100-069 | Throttle Spring |

Section 2: Engine

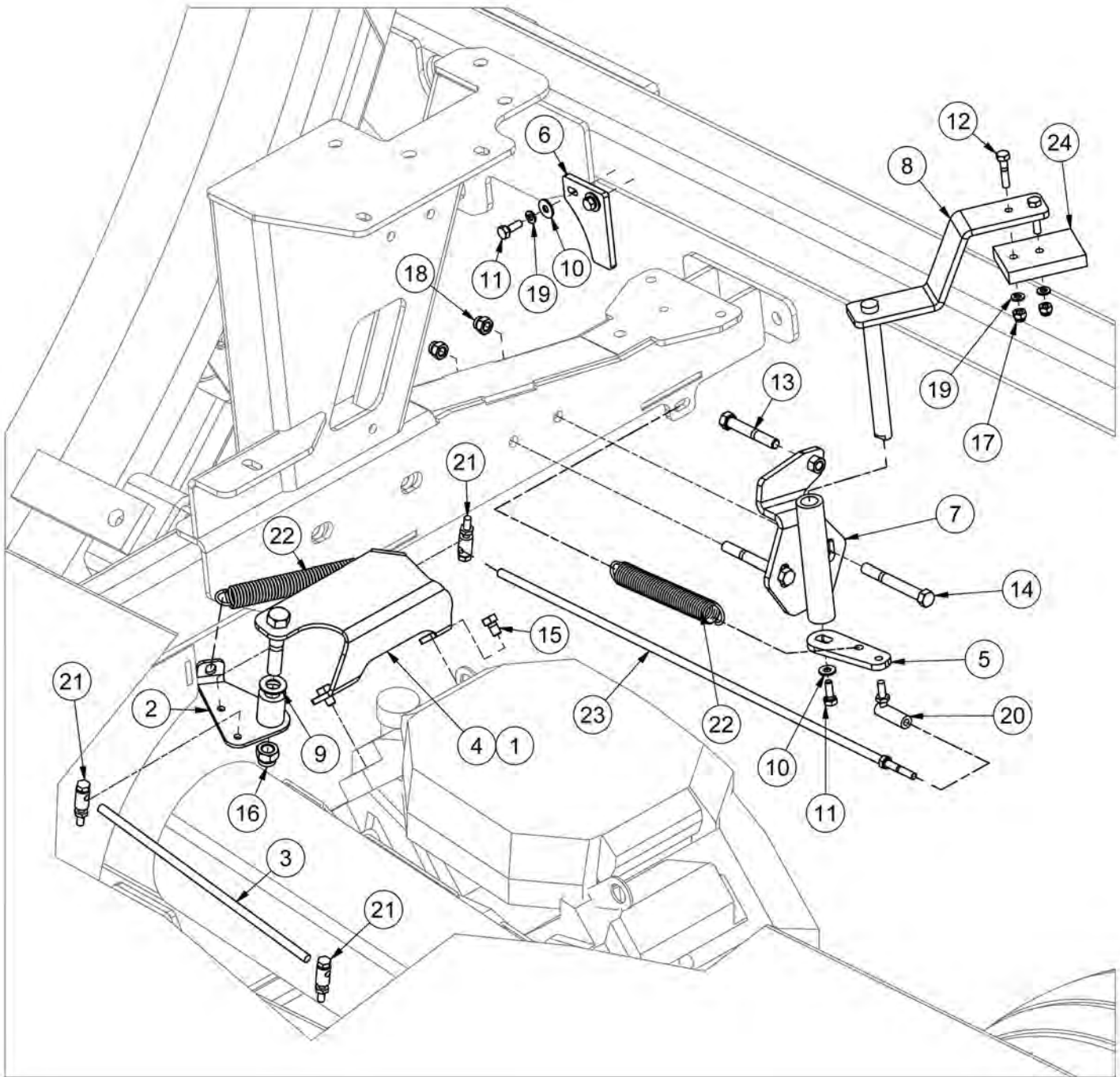
Engine - 20hp Honda



Engine - 20hp Honda

| ITEM | QTY | PART NUMBER | DESCRIPTION | NOTE |
|------|-----|------------------|--|-------------------|
| 1 | 1 | 40957 | Long Fuel Line | |
| 2 | 1 | TL31750-Z2E-803 | Honda 20AMP Rectifier for GX630 Engine | |
| 3 | 1 | TL5X2-500-161 | Dump Valve - Complete | Incl. Items 4-6 |
| 4 | 1 | 31305 | Wiring Harness for Dump Valve | |
| 5 | 1 | 31545 | Dump Valve Body and Cartridge (20 HP) | |
| 6 | 1 | 31546 | Dump Valve Solenoid (Coil)Square Coil | |
| 7 | 2 | FW 1/4 | Flatwasher - 1/4" Zinc Plated USS | |
| 8 | 4 | FW 3/8 | Flatwasher - 3/8" Zinc Plated USS | |
| 9 | 2 | HB1/4-20X1.25Z5 | Hex Bolt 1/4-20x1 1/4 Grade 5 Zinc Plated Hex Cap Screw | |
| 10 | 4 | HB3/8-16X2Z5 | Hex Bolt 3/8-16x2 Grade 5 Zinc Plated Hex Cap Screw | |
| 11 | 2 | HB5/16-18X2.25Z5 | Hex Bolt 5/16-18x2 1/4 Grade 5 Zinc Plated Hex Cap Screw | |
| 12 | 2 | LN1/4-20NCZ5 | LN 1/4-20 Zinc Plated Nylon Insert Lock Nut | |
| 13 | 4 | LN3/8-16NCZ5 | LN 3/8-16 Zinc Plated Nylon Insert Lock Nut | |
| 14 | 2 | LN5/16-18NCZ5 | LN 5/16-18 Zinc Plated Nylon Insert Lock Nut | |
| 15 | 1 | TL20HP16GPM | 20 HP Honda Engine w/ 16GPM Pump | Incl. Items 16-27 |
| 16 | 1 | 36945 | 20 HP Muffler Pipe | |
| 17 | 1 | 45471 | 16GPM Hydraulic Pump | |
| 18 | 1 | KS40960 | Key .25 x 1.75 | |
| 19 | 6 | HB3/8-16X1.25Z5 | Hex Bolt 3/8-16x1 1/4 Grade 5 Zinc Plated Hex Cap Screw | |
| 20 | 6 | LW 3/8 | LW - 3/8" Zinc Plated Medium Split | |
| 21 | 1 | MC 1 1/2 | Muffler Clamp 1 1/2" Pipe (MC7112) | |
| 22 | 1 | TL500-100-182 | Adapter, Engine to Pump | |
| 23 | 1 | TL500-100-183 | Lovejoy Coupling Pump Side | |
| 24 | 1 | TL500-100-184 | Coupling Spacer | |
| 25 | 1 | TL500-100-185 | Love Joy Coupling Engine Side | |
| 26 | 1 | TL6X2-100-200 | 20 HP Honda Engine | |
| 27 | 1 | TLVHRM6 | Muffler | |

20hp Throttle Linkage

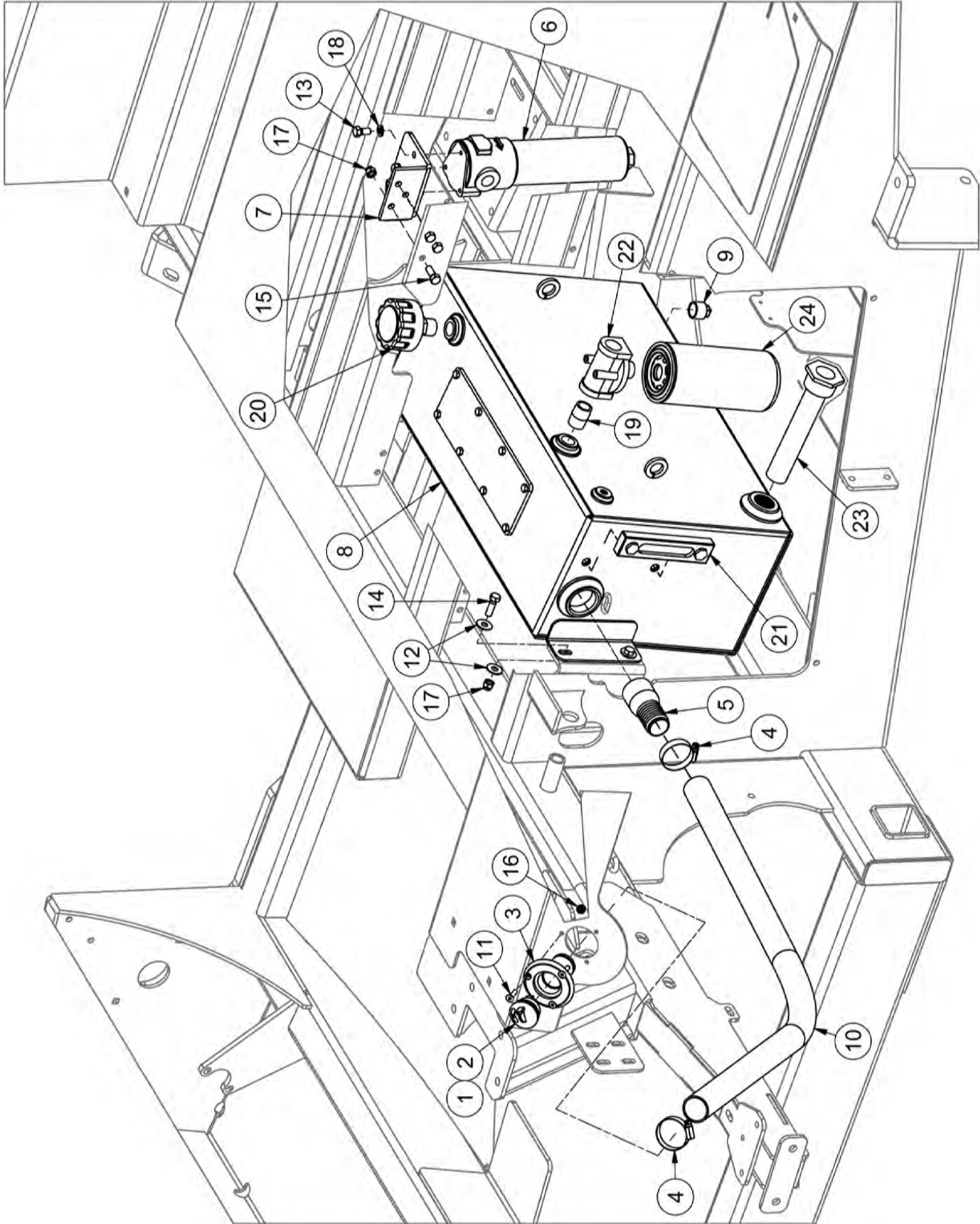


20hp Throttle Linkage

| ITEM | QTY | PART NUMBER | DESCRIPTION | NOTE |
|------|-----|-------------------|---|-----------|
| 1 | 1 | 47329 | 20HP Throttle Linkage Assembly | All Items |
| 2 | 1 | 44643 | 20HP Swing Link | |
| 3 | 1 | 44644 | 20HP Rod | |
| 4 | 1 | 44645 | 20HP Engine Throttle Base | |
| 5 | 1 | 47295 | Rod Link | |
| 6 | 1 | 47296 | Throttle Arm Trip Plate | |
| 7 | 1 | 47297 | Throttle Arm Pivot Bracket | |
| 8 | 1 | 47300 | Throttle Arm | |
| 9 | 1 | FW 1/2 | Flatwasher - 1/2" Zinc Plated USS | |
| 10 | 3 | FW 1/4 | Flatwasher - 1/4" Zinc Plated USS | |
| 11 | 3 | HB 1/4-20X0.75 Z5 | Hex Bolt 1/4-20x3/4 Grade 5 Zinc Plated Hex Cap Screw | |
| 12 | 2 | HB 1/4-20X1.25 Z5 | Hex Bolt 1/4-20x1 1/4 Grade 5 Zinc Plated Hex Cap Screw | |
| 13 | 1 | HB 3/8-16X2.5 Z5 | Hex Bolt 3/8-16x2 1/2 Grade 5 Zinc Plated Hex Cap Screw | |
| 14 | 2 | HB 3/8-16X3.25 Z5 | Hex Bolt 3/8-16x3 1/4 Grade 5 Zinc Plated Hex Cap Screw | |
| 15 | 2 | HB 5/16-18X0.5 Z5 | Hex Bolt 5/16-18x1/2 Grade 5 Zinc Plated Hex Cap Screw | |
| 16 | 1 | LN 1/2 N | LN 1/2-13 Zinc Plated Nylon Insert Lock Nut | |
| 17 | 2 | LN 1/4 N | LN 1/4-20 Zinc Plated Nylon Insert Lock Nut | |
| 18 | 2 | LN 3/8 N | LN 3/8-16 Zinc Plated Nylon Insert Lock Nut | |
| 19 | 4 | LW 1/4 | LW - 1/4" Zinc Plated Medium Split | |
| 20 | 1 | TL550-100-065 | Ball Joint | |
| 21 | 3 | TL550-100-067 | Linkage Pivot | |
| 22 | 2 | TL550-100-069 | Throttle Spring | |
| 23 | 1 | TL5X2-100-231 | Control Rod | |
| 24 | 1 | TL5X2-100-232 | Striker Block | |

Section 3: Hydraulics

Hydraulic Oil Tank

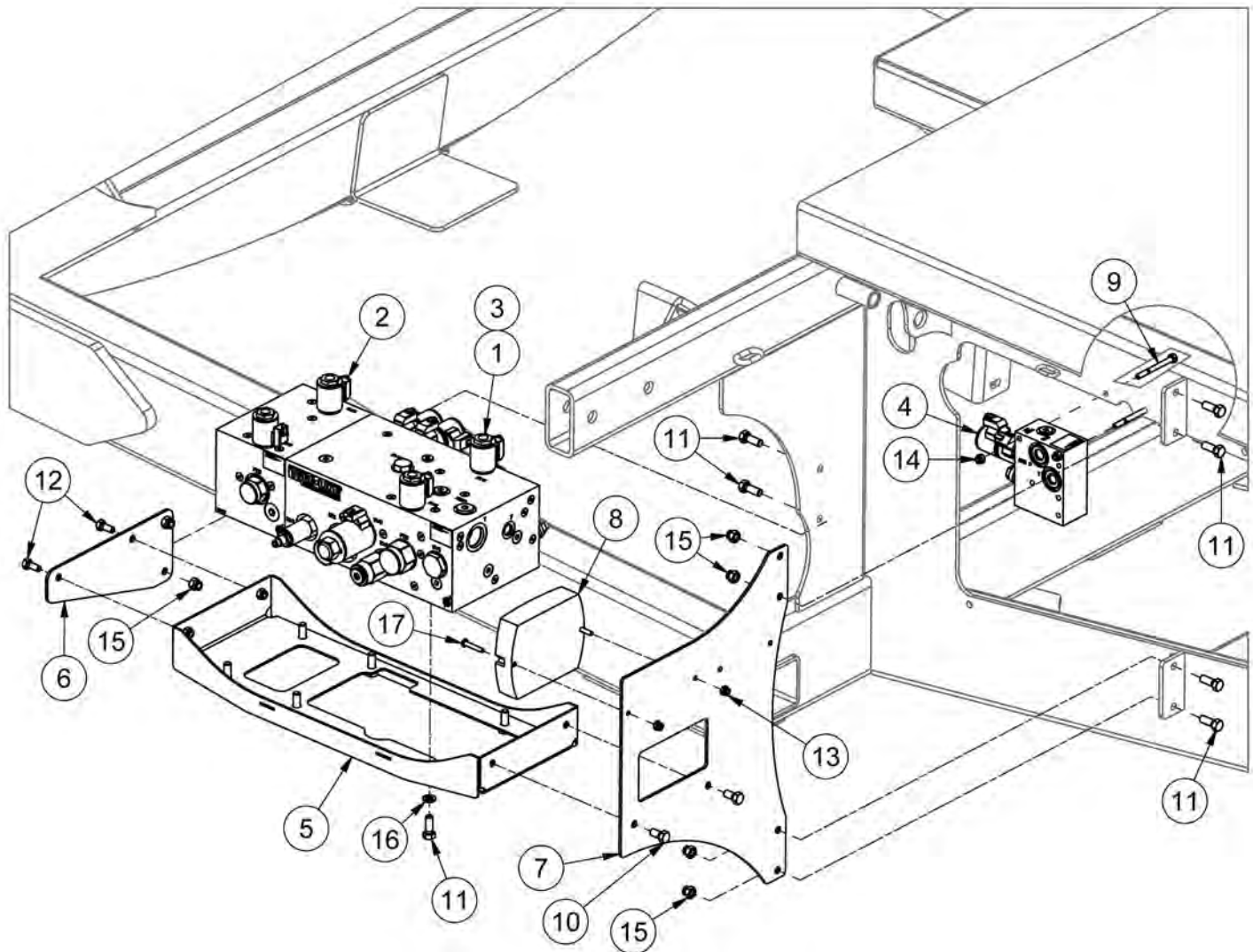


Hydraulic Oil Tank

| ITEM | QTY | PART NUMBER | DESCRIPTION | NOTE |
|------|-----|---------------------|---|------------------|
| 1 | 1 | 30870 | Hydraulic Oil Fill Assembly | Inc. Items 2 & 3 |
| 2 | 1 | 30868 | Hydraulic Oil Fill Cap | |
| 3 | 1 | 30869 | Hydraulic Oil Fill Body | |
| 4 | 2 | 30884 | Gear Clamp #24 1" to 2" | |
| 5 | 1 | 30894 | 1.5 NPT X 1.5 BARB | |
| 6 | 1 | 41878 | High Pressure ECV Oil Filter | |
| 7 | 1 | 41897 | High Pressure Filter Bracket | |
| 8 | 1 | 44345 | Hydraulic Oil Tank | |
| 9 | 1 | TL500-100-174 | Plug, Magnetic 3/4" | |
| 10 | 1 | 46948 | TL70 Oil Fill Tube | |
| 11 | 3 | FHSCS1/4-28X1 | Hex Bolt - 1/4"-28 x 1" Flat Socket Cap Screw | |
| 12 | 8 | FW 3/8 | Flatwasher - 3/8" Zinc Plated USS | |
| 13 | 3 | HB3/8-16X0.75Z5 | Hex Bolt 3/8-16x3/4 Grade 5 Zinc Plated Hex Cap Screw | |
| 14 | 4 | HB3/8-16X1.25Z5 | Hex Bolt 3/8-16x1 1/4 Grade 5 Zinc Plated Hex Cap Screw | |
| 15 | 3 | HB3/8-16X1Z5 | Hex Bolt 3/8-16x1 Grade 5 Zinc Plated Hex Cap Screw | |
| 16 | 3 | LN1/4-28KFZ | 1/4"-28 Zinc w/ Ext Tooth Lckwshr K-Lock Nut | |
| 17 | 7 | LN3/8-16NCZ5 | LN 3/8-16 Zinc Plated Nylon Insert Lock Nut | |
| 18 | 3 | LW 3/8 | LW - 3/8" Zinc Plated Medium Split | |
| 19 | 1 | PI 3/4 CLOSE NIPPLE | Close Nipple SCH 80 3/4 | |
| 20 | 1 | TL500-100-169 | Breather Cap | |
| 21 | 1 | TL500-100-171 | Sight Gauge | |
| 22 | 1 | TL500-100-172 | Filter Base | |
| 23 | 1 | TL500-100-175 | Suction Filter/Strainer | |
| 24 | 1 | VAL HEK44-20.180 | ECV Hydraulic Filter | |

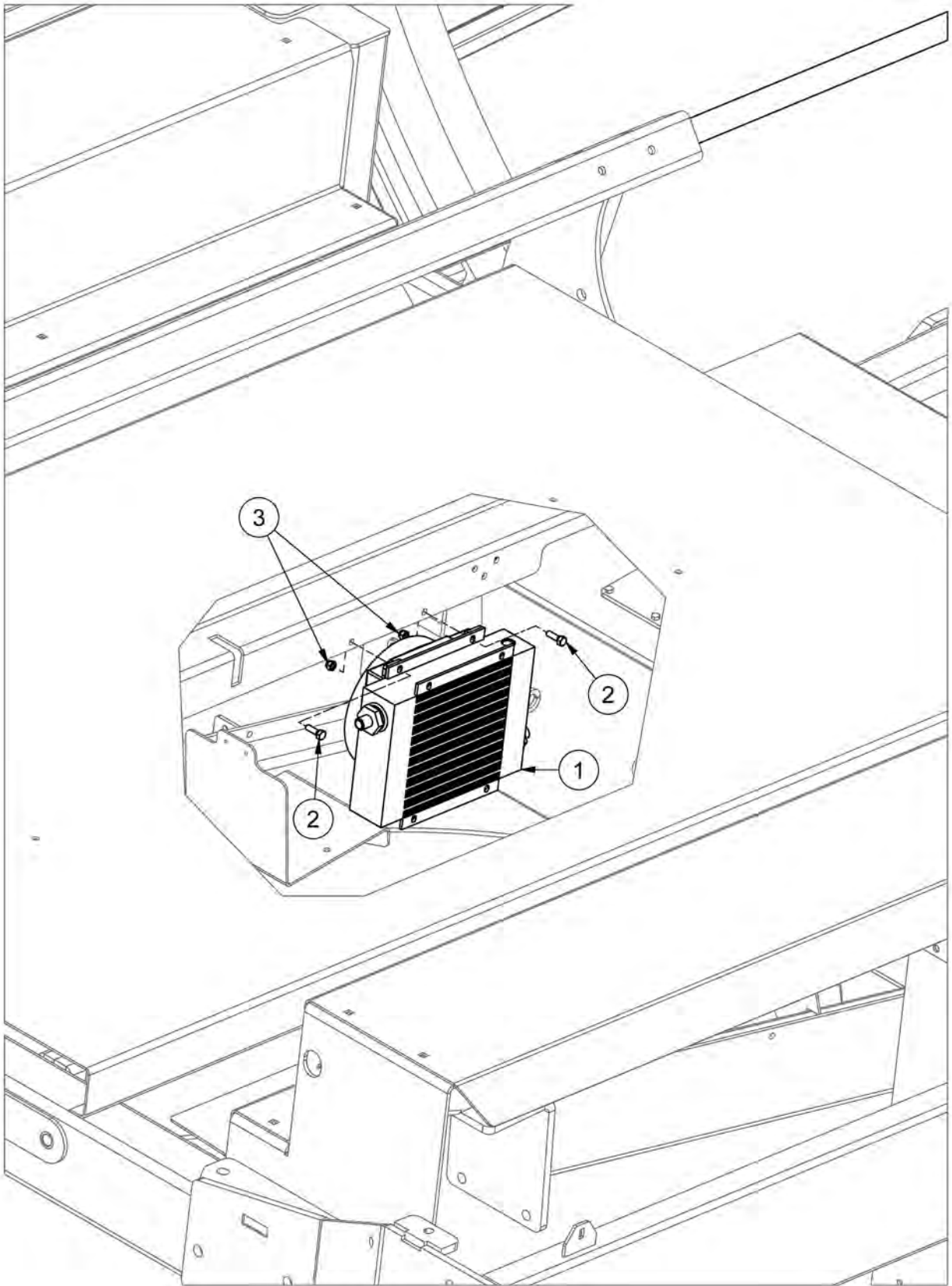
Oil in Unit: AW32 SAE10 Hydraulic Oil

Hydraulic Manifold Mount



| ITEM | QTY | PART NUMBER | DESCRIPTION | NOTE |
|------|-----|------------------|---|------------------------|
| 1 | 1 | 30298 | ECV Bale Wrapper Main Manifold Block | |
| 2 | 1 | 30299 | ECV Bale Wrapper Powerdrive Manifold Block | Req. Powerdrive Option |
| 3 | 1 | SK1031DBSK | Seal Kit - Main ECV Manifold | |
| 4 | 1 | 32653 | ECV Brake Manifold | |
| 5 | 1 | 44714 | ECV Valve Mount | |
| 6 | 1 | 47304 | ECV Manifold Mount Plate | |
| 7 | 1 | 47305 | ECV Front Manifold Mount | |
| 8 | 1 | ECU 2415 | Valve Controller | |
| 9 | 2 | HB1/4-20X2.75Z5 | Hex Bolt 1/4-20x2 3/4 Grade 5 Zinc Plated Hex Cap Screw | |
| 10 | 5 | HB3/8-16X0.75Z5 | Hex Bolt 3/8-16x3/4 Grade 5 Zinc Plated Hex Cap Screw | |
| 11 | 15 | HB3/8-16X1Z5 | Hex Bolt 3/8-16x1 Grade 5 Zinc Plated Hex Cap Screw | |
| 12 | 2 | HB5/16-18X0.75Z5 | Hex Bolt 5/16-18x3/4 Grade 5 Zinc Plated Hex Cap Screw | |
| 13 | 2 | LN#12-24NCZ5 | LN 3/16-24 Zinc Plated Nylon Insert Lock Nut | |
| 14 | 2 | LN1/4-20NCZ5 | LN 1/4-20 Zinc Plated Nylon Insert Lock Nut | |
| 15 | 9 | LN3/8-16NCZ5 | LN 3/8-16 Zinc Plated Nylon Insert Lock Nut | |
| 16 | 6 | LW 3/8 | LW - 3/8" Zinc Plated Medium Split | |
| 17 | 2 | MS #12X24X1.25 | Machine Screw - (Inch) | |

Hydraulic Oil Cooler

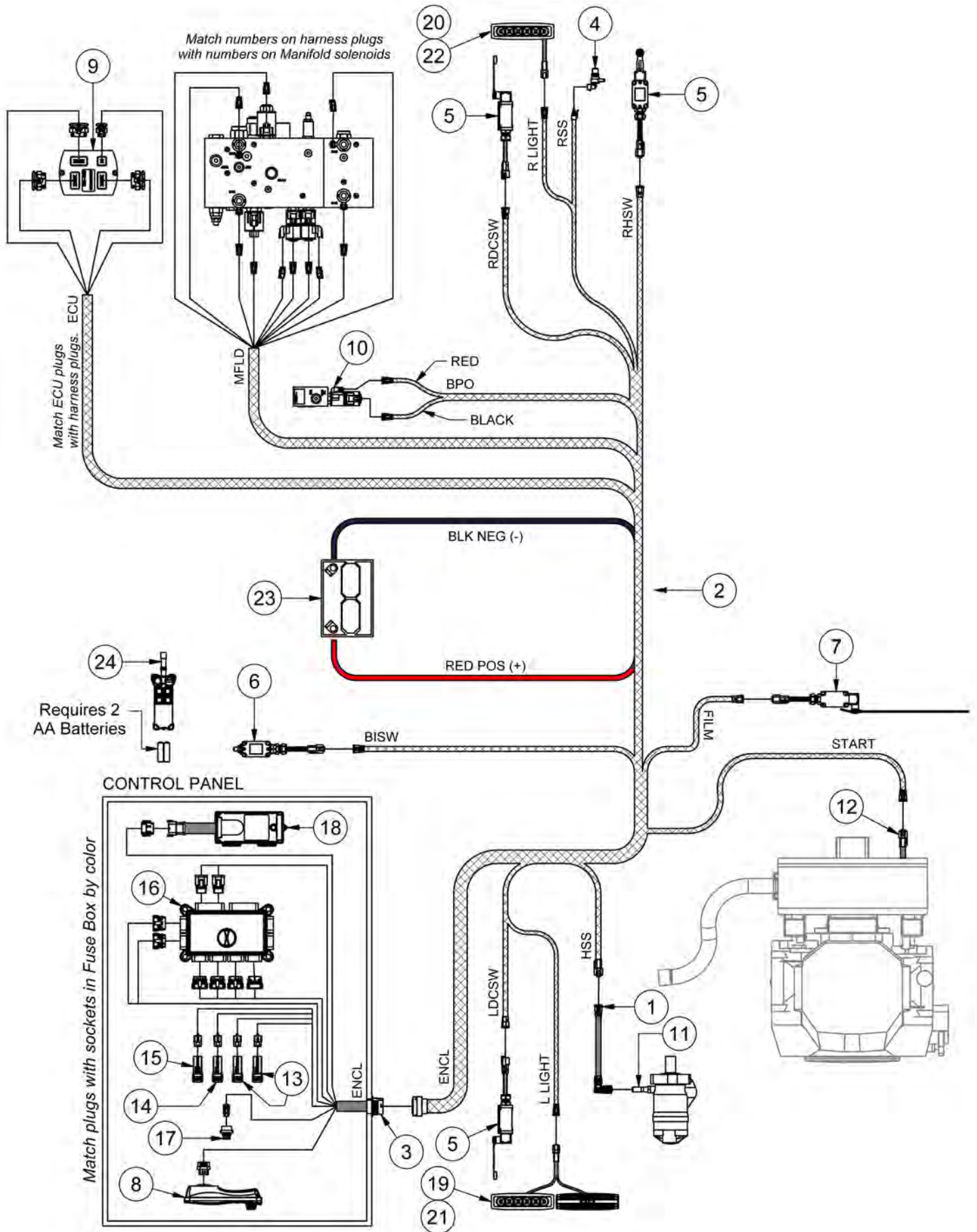


| ITEM | QTY | PART NUMBER | DESCRIPTION |
|------|-----|---------------|--|
| 1 | 1 | 47494 | Hydraulic Cooler |
| 2 | 2 | HB5/16-18X1Z5 | Hex Bolt 5/16-18x1 Grade 5 Zinc Plated Hex Cap Screw |
| 3 | 2 | LN5/16-18NCZ5 | LN 5/16-18 Zinc Plated Nylon Insert Lock Nut |

Control Panel

| ITEM | QTY | PART NUMBER | DESCRIPTION |
|------|-----|--------------------|--|
| 1 | 1 | 32630 | Display Mount |
| 2 | 1 | 32642 | Control Panel Harness |
| 3 | 1 | 32648 | Remote Antenna |
| 4 | 1 | 32652 | Display Screen |
| 5 | 3 | 33322 | Function Switch |
| 6 | 1 | 33323 | E-Stop Switch |
| 7 | 1 | 33324 | Fuse Box |
| 8 | 1 | 33325 | Steering Joystick |
| 9 | 2 | 36268 | Camlock |
| 10 | 1 | 43415 | Lid Holder |
| 11 | 1 | 43417 | Control Panel Box |
| 12 | 1 | 43489 | Control Panel Lid |
| 13 | 1 | FW 1/2 | Flatwasher - 1/2" Zinc Plated USS |
| 14 | 2 | HB 1/2X3/8 SS | Socket Head Shoulder Screws - 1/2 Shldr x 3/8 x 3/8-16 |
| 15 | 4 | HN 1/4 | Hex Nut 1/4"-20 Grade 5 Zinc Plated Finished |
| 16 | 2 | LN 3/8 N | LN 3/8-16 Zinc Plated Nylon Insert Lock Nut |
| 17 | 1 | TL550-100-065 | Ball Joint |
| 18 | 4 | HB 5/16-18X0.75 Z5 | Hex Bolt 5/16-18x3/4 Grade 5 Zinc Plated Hex Cap Screw |
| 19 | 4 | LN 5/16 N | LN 5/16-18 Zinc Plated Nylon Insert Lock Nut |

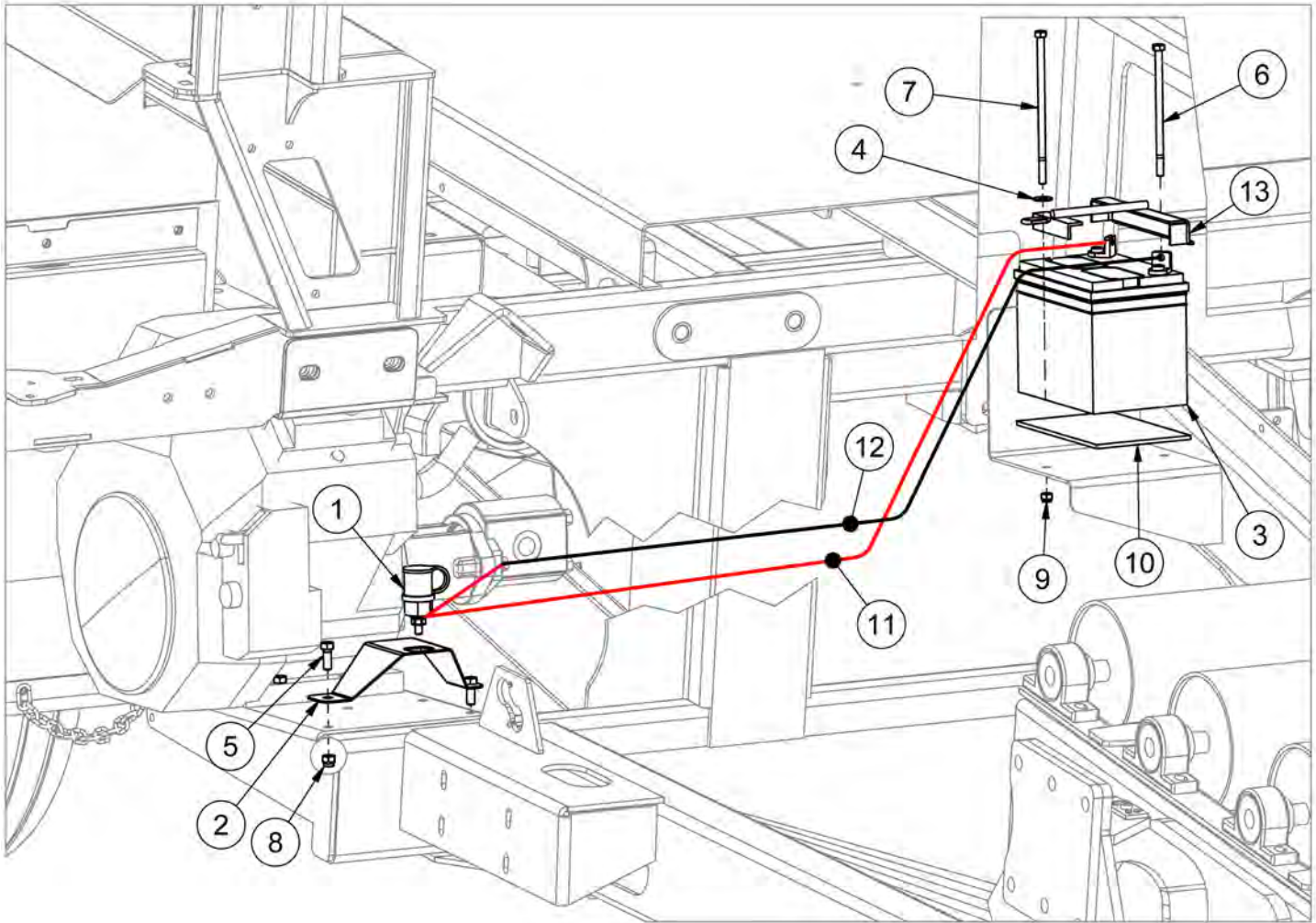
Main Electrical Harness



Main Electrical Harness

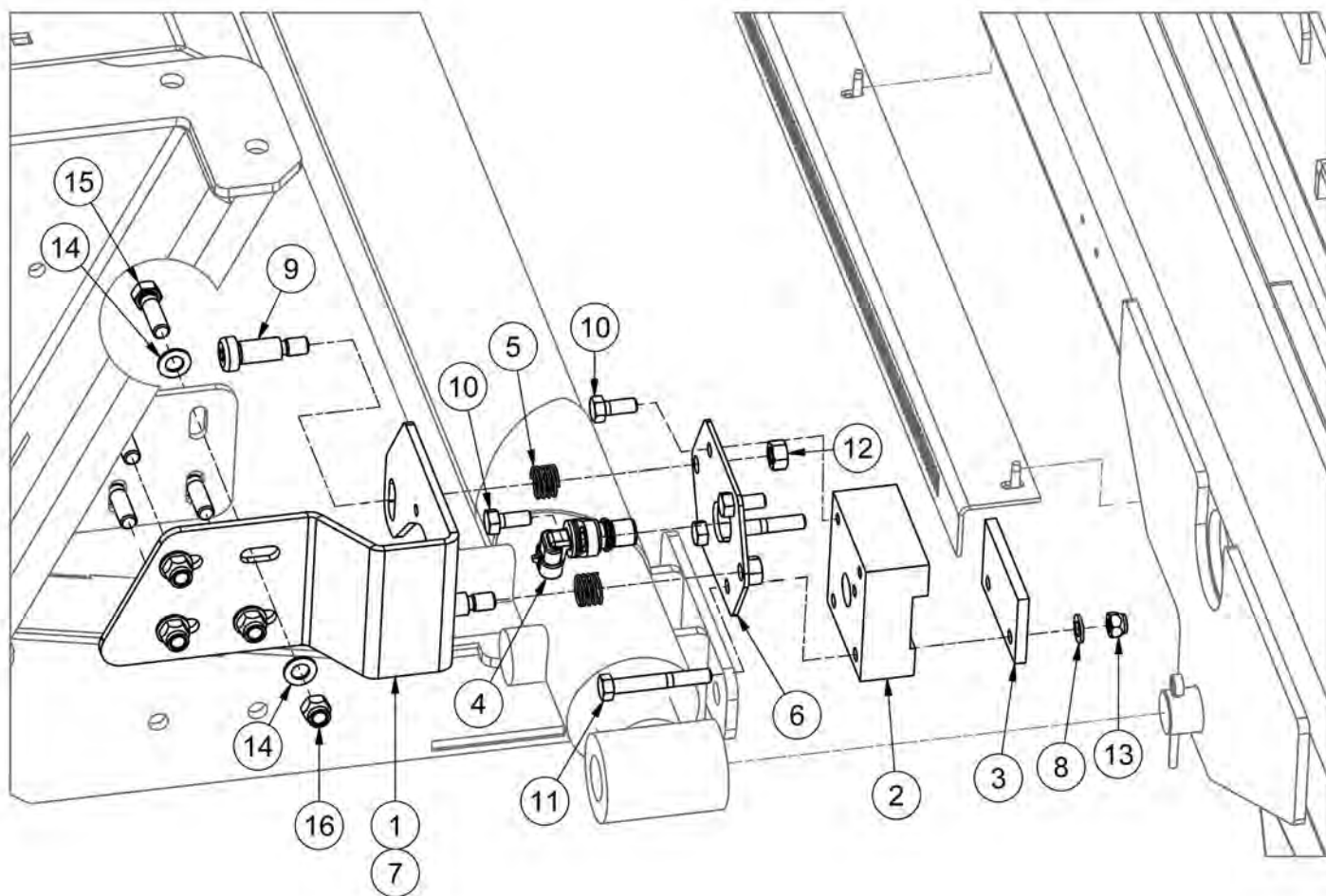
| ITEM | QTY | PART NUMBER | DESCRIPTION | NOTE |
|------|-----|-------------|---|------|
| 1 | 1 | 32607 | ECV Wrapper and Liner, M12 to Duetch Jumper | |
| 2 | 1 | 32625 | ECV Wrapper, Main Wiring Harness | |
| 3 | 1 | 32626 | ECV Wrapper, Panel Harness | |
| 4 | 1 | 32632 | ECV Wrapper and Liner, Speed Sensor | |
| 5 | 3 | 32633 | ECV Wrapper, Left and Right Door Switch, Ram Home Switch | |
| 6 | 1 | 32634 | ECV Wrapper, Bale Trigger Switch | |
| 7 | 1 | 32635 | ECV Wrapper, Film Sensor Switch | |
| 8 | 1 | 32647 | ECV Controller - 2415 Programmed for ECV Wrapper | |
| 9 | 1 | 32652 | ECV, ECU Programmed for Balewrapper (Current Rev) | |
| 10 | 1 | 32653 | ECV Brake Manifold | |
| 11 | 1 | 32665 | ECV Hoop Speed Sensor | |
| 12 | 1 | 32667 | Wiring Engine Harness for 20 HP Honda - ECV Wrapper | |
| 13 | 2 | 33322 | Light Function Switch & Remote Engine By-pass | |
| 14 | 1 | 33322-L | Function Switch with Light ON-OFF | |
| 15 | 1 | 33323 | Function Switch for E-Stop | |
| 16 | 1 | 33324 | Fuse Box for ECV Wrapper Control Box | |
| 17 | 1 | 33325 | Steering Joystick for ECV | |
| 18 | 1 | 36968 | Receiver Board for ECV Wrappers - With 8 Pin Deutch Connector | |
| 19 | 1 | 43617 | TLNWLKLED-ECV Twin Harness | |
| 20 | 1 | 43618 | TLNWLKLED-ECV Single Harness | |
| 21 | 1 | 43619 | TLNWLK-ECV Twin Harness | |
| 22 | 3 | 43620 | TLNWLK-ECV Single Harness | |
| 23 | 1 | 45924 | SP-40 Battery | |
| 24 | 1 | TLHHCX2HD | Hand Held Remote (Orange) | |

Battery



| ITEM | QTY | PART NUMBER | DESCRIPTION |
|------|-----|---------------|--|
| 1 | 1 | 30873 | Insulated Jumper Terminal |
| 2 | 1 | 31383 | Insulated Jumper Mount |
| 3 | 1 | 45924 | SP-40 Battery |
| 4 | 1 | FW 5/16 | Flatwasher - 5/16" Zinc Plated USS |
| 5 | 2 | HB3/8-16X1Z5 | Hex Bolt 3/8-16x1 Grade 5 Zinc Plated Hex Cap Screw |
| 6 | 1 | HB5/16-18X6Z5 | Hex Bolt 5/16-18x6 Grade 5 Zinc Plated Hex Cap Screw |
| 7 | 1 | HB5/16-18X7Z5 | Hex Bolt 5/16-18x7 Grade 5 Zinc Plated Hex Cap Screw |
| 8 | 2 | LN3/8-16NCZ5 | LN 3/8-16 Zinc Plated Nylon Insert Lock Nut |
| 9 | 2 | LN5/16-18NCZ5 | LN 5/16-18 Zinc Plated Nylon Insert Lock Nut |
| 10 | 1 | TL5X2-007-101 | Rubber Battery Pad |
| 11 | 1 | TL5X2-500-159 | Red Battery Cable |
| 12 | 1 | TL5X2-500-160 | Black Battery Cable |
| 13 | 1 | TL500-301-221 | Battery Hold-Down |

Ram Speed Sensor



| ITEM | QTY | PART NUMBER | DESCRIPTION | NOTE |
|------|-----|--------------------|--|-----------|
| 1 | 1 | 47331 | ECV Encoder Bracket Asm | All Items |
| 2 | 1 | 31712 | Sensor Guide Block | |
| 3 | 1 | 31713 | Sensor Guide Strip | |
| 4 | 1 | 32632 | ECV Speed Sensor | |
| 5 | 2 | 36034 | Ram Speed Sensor Spring | |
| 6 | 1 | 44725 | Speed Sensor Spacer | |
| 7 | 1 | 47307 | ECV Encoder Mount | |
| 8 | 2 | FW 5/16 | Flatwasher - 5/16" Zinc Plated USS | |
| 9 | 2 | HB 1/2X1 SS | Socket Head Shoulder Screws - 1/2 Shldr x 1 x 3/8-16 | |
| 10 | 3 | HB 5/16-18X0.75 Z5 | Hex Bolt 5/16-18x3/4 Grade 5 Zinc Plated Hex Cap Screw | |
| 11 | 2 | HB 5/16-18X2.25 Z5 | Hex Bolt 5/16-18x2 1/4 Grade 5 Zinc Plated Hex Cap Screw | |
| 12 | 2 | HN3/8-16CZ5 | Hex Nut 3/8"-16 Grade 5 Zinc Plated Finished | |
| 13 | 2 | LN 5/16 N | LN 5/16-18 Zinc Plated Nylon Insert Lock Nut | |
| 14 | 8 | FW 3/8 | Flatwasher - 3/8" Zinc Plated USS | |
| 15 | 4 | HB3/8-16X1.25Z5 | Hex Bolt 3/8-16x1 1/4 Grade 5 Zinc Plated Hex Cap Screw | |
| 16 | 4 | LN3/8-16NCZ5 | LN 3/8-16 Zinc Plated Nylon Insert Lock Nut | |

Section 5: Options

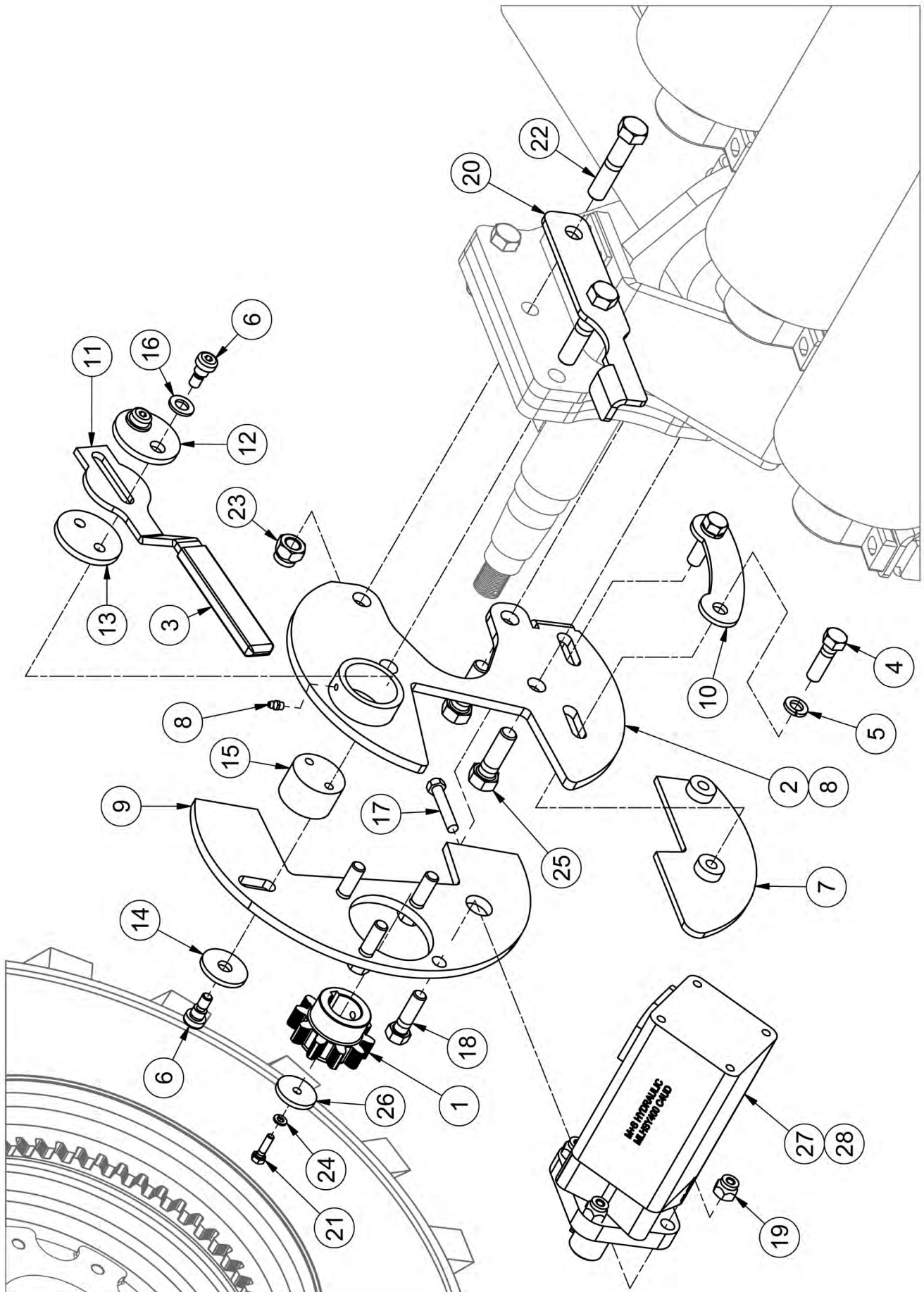
TLHPDD70 - Dual Power Drive

Not available at time of production.

TLHPDD70 - Dual Power Drive

Not available at time of production.

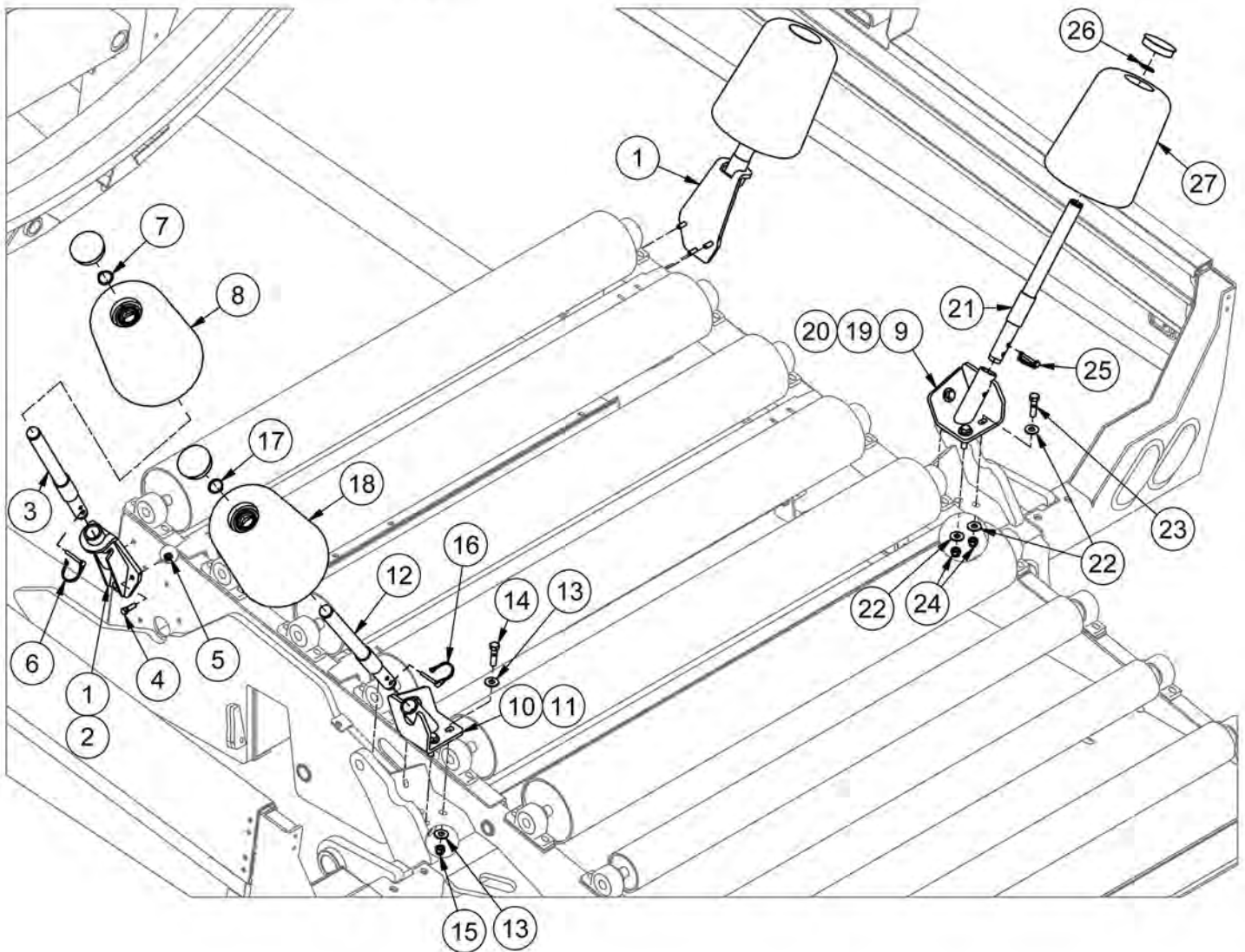
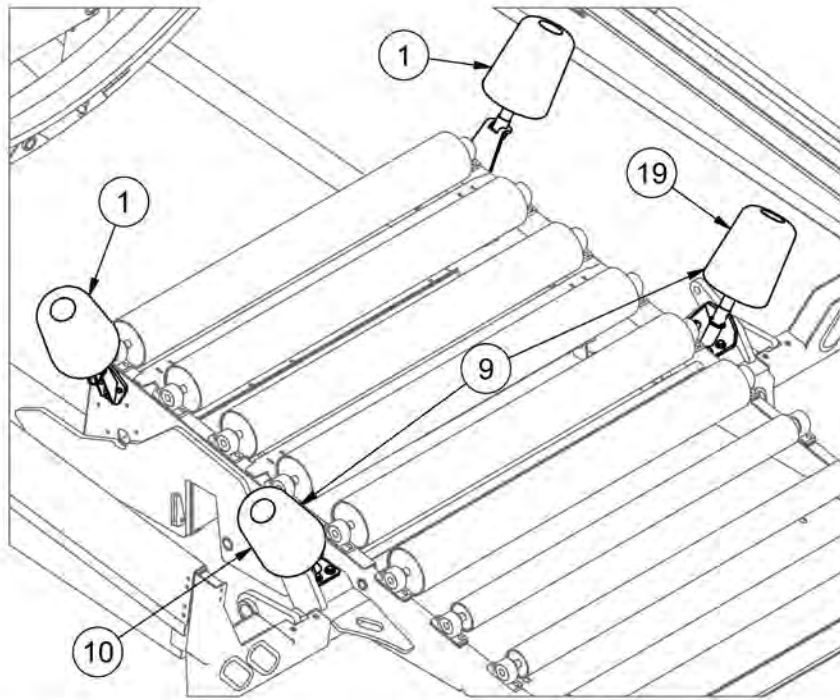
Dual Power Drive Bracket



Dual Power Drive Bracket

| ITEM | QTY | PART NUMBER | DESCRIPTION | NOTE |
|------|-----|---------------------|--|------------|
| 1 | 1 | 28942 | Powerdrive Sprocket | |
| 2 | 1 | 28949 | Right Powerdrive Assembly | Items 3-19 |
| 3 | 1 | 22707 | Rubber Handle for 3/8 X 1 Flat Bar | |
| 4 | 2 | HB 1/2-13X1.75 Z5 | Hex Bolt 1/2-13x1 3/4 Grade 5 Zinc Plated Hex Cap Screw | |
| 5 | 2 | LW 1/2 | LW - 1/2" Zinc Plated Medium Split | |
| 6 | 2 | SHSS1/2X3/8X3/8-16Z | Socket Head Shoulder Screws - 1/2 Shldr x 3/8 x 3/8-16 | |
| 7 | 1 | TLWHEEL30LEFT | Left Powerdrive Part | |
| 8 | 1 | TLWHEEL3109 | Right Powerdrive HD Bracket | |
| 9 | 1 | WHEEL1108 | Powerdrive Motor Mount | |
| 10 | 1 | WHEEL14 | Powerdrive Part | |
| 11 | 1 | WHEEL2011 | Powerdrive Handle | |
| 12 | 1 | WHEEL2012 | Outside Handle Washer | |
| 13 | 1 | WHEEL20121 | Inside Handle Washer | |
| 14 | 1 | WHEEL2013 | Inside Cam Washer | |
| 15 | 1 | WHEEL9 | Eccentric | |
| 16 | 2 | FWSAE 1/2 | Flatwasher - 1/2" Zinc Plated SAE | |
| 17 | 1 | HB3/8-16X2.0TCZ5 | 3/8"-16 x 2" SAE J429 Grade 5 Zinc Finish Steel Tap Bolt | |
| 18 | 4 | HB1/2-13X1.75Z5 | Hex Bolt 1/2-13x1 3/4 Grade 5 Zinc Plated Hex Cap Screw | |
| 19 | 4 | LN1/2-13NCZ5 | LN 1/2-13 Zinc Plated Nylon Insert Lock Nut | |
| 20 | 1 | 47485 | Right Side Handle Stop | |
| 21 | 1 | HB1/4-20X1Z5 | Hex Bolt 1/4-20x1 Grade 5 Zinc Plated Hex Cap Screw | |
| 22 | 2 | HB5/8-11X3Z5 | Hex Bolt 5/8-11x3 Grade 5 Zinc Plated Hex Cap Screw | |
| 23 | 5 | LN5/8-11NCZ5 | LN 5/8-11 Zinc Plated Nylon Insert Lock Nut | |
| 24 | 1 | LW 1/4 | LW - 1/4" Zinc Plated Medium Split | |
| 25 | 2 | HB5/8-11X2Z5 | Hex Bolt 5/8-11x2 Grade 5 Zinc Plated Hex Cap Screw | |
| 26 | 1 | TL552404 | Hoop Motor Plate | |
| 27 | 1 | VAL MLHSY400 | Complete Motor - MLHSY400C4UD | |
| 28 | 1 | SKMLHSY-U/D | Motor Seal Kit | |

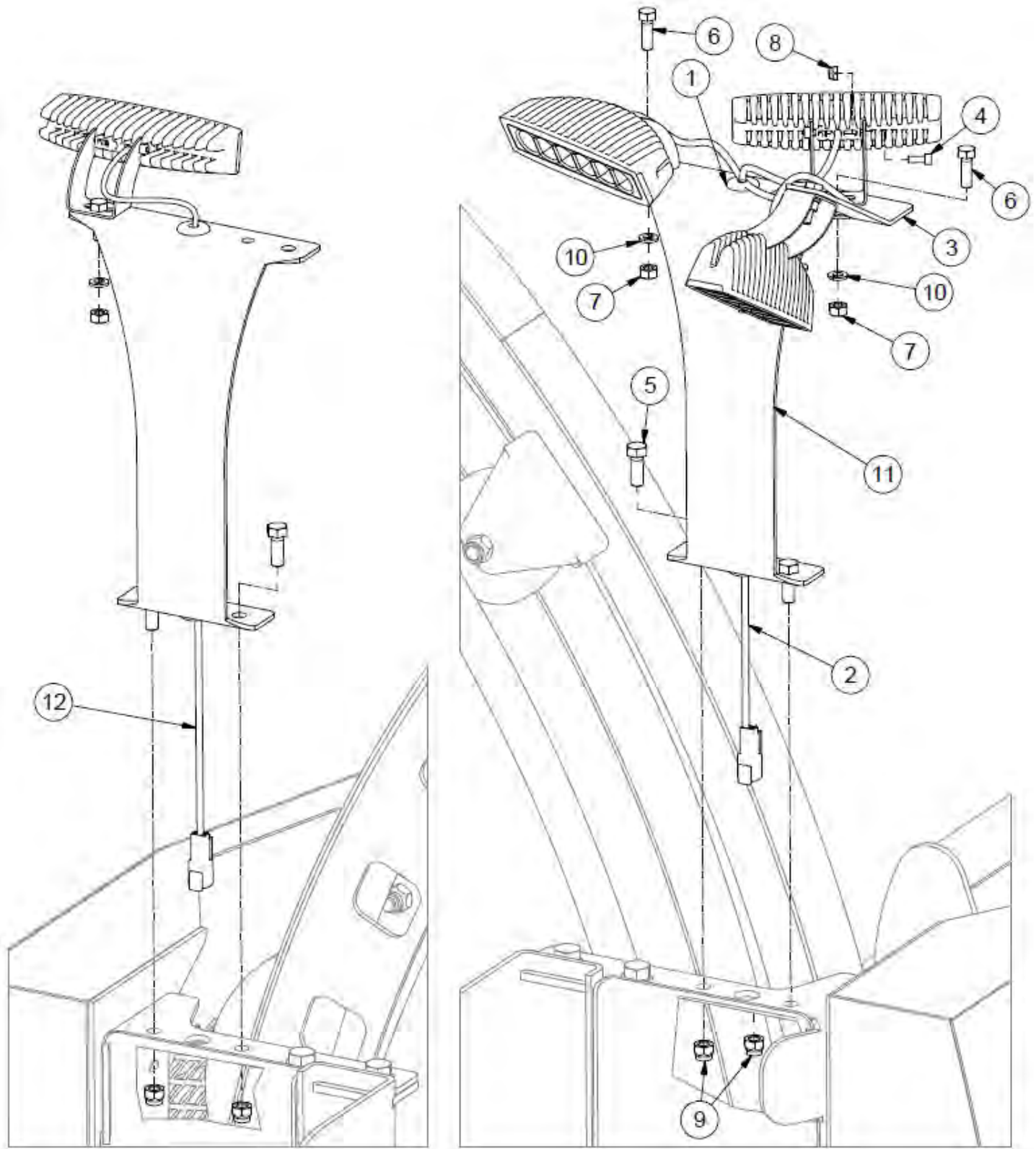
TLGR70 - Optional Guide Rollers



TLGR70 - Optional Guide Rollers

| ITEM | QTY | PART NUMBER | DESCRIPTION | NOTE |
|------|-----|-----------------|---|-------------------|
| 1 | 2 | TLGR70F | TL70 Front Guide Roller Kit | Incl. Items 2-7 |
| 2 | 1 | 47285 | Front Guide Roller Pocket | |
| 3 | 1 | 47294 | Guide Roller Shaft | |
| 4 | 3 | HB3/8-16X1.25Z5 | Hex Bolt 3/8-16x1 1/4 Grade 5 Zinc Plated Hex Cap Screw | |
| 5 | 3 | LN3/8-16NCZ5 | LN 3/8-16 Zinc Plated Nylon Insert Lock Nut | |
| 6 | 1 | LP B1995 | Pin - Lock Pin 1/4 X 1 3/4 | |
| 7 | 1 | RR 1.25 | Retaining Ring-1 1/4- External | |
| 8 | 1 | TL550-301-238 | Roller c/w Bearings & End Cap | |
| 9 | 1 | TLGR70R | TL70 Rear Guide Roller Kit | Incl. Items 10&19 |
| 10 | 1 | TLGR70RL | TL70 Left Rear Guide Roller Kit | Incl. Items 11-18 |
| 11 | 1 | 47289 | Rear Left Guide Roller Pocket | |
| 12 | 1 | 47294 | Guide Roller Shaft | |
| 13 | 6 | FW 1/2 | Flatwasher - 1/2" Zinc Plated USS | |
| 14 | 3 | HB1/2-13X2Z5 | Hex Bolt 1/2-13x2 Grade 5 Zinc Plated Hex Cap Screw | |
| 15 | 3 | LN1/2-13NCZ5 | LN 1/2-13 Zinc Plated Nylon Insert Lock Nut | |
| 16 | 1 | LP B1995 | Pin - Lock Pin 1/4 X 1 3/4 | |
| 17 | 1 | RR 1.25 | Retaining Ring-1 1/4- External | |
| 18 | 1 | TL550-301-238 | Roller c/w Bearings & End Cap | |
| 19 | 1 | TLGR70RR | TL70 Right Rear Guide Roller Kit | Incl. Items 20-27 |
| 20 | 1 | 47292 | Rear Right Guide Roller Pocket | |
| 21 | 1 | 47294 | Guide Roller Shaft | |
| 22 | 6 | FW 1/2 | Flatwasher - 1/2" Zinc Plated USS | |
| 23 | 3 | HB1/2-13X2Z5 | Hex Bolt 1/2-13x2 Grade 5 Zinc Plated Hex Cap Screw | |
| 24 | 3 | LN1/2-13NCZ5 | LN 1/2-13 Zinc Plated Nylon Insert Lock Nut | |
| 25 | 1 | LP B1995 | Pin - Lock Pin 1/4 X 1 3/4 | |
| 26 | 1 | RR 1.25 | Retaining Ring-1 1/4- External | |
| 27 | 1 | TL550-301-238 | Roller c/w Bearings & End Cap | |

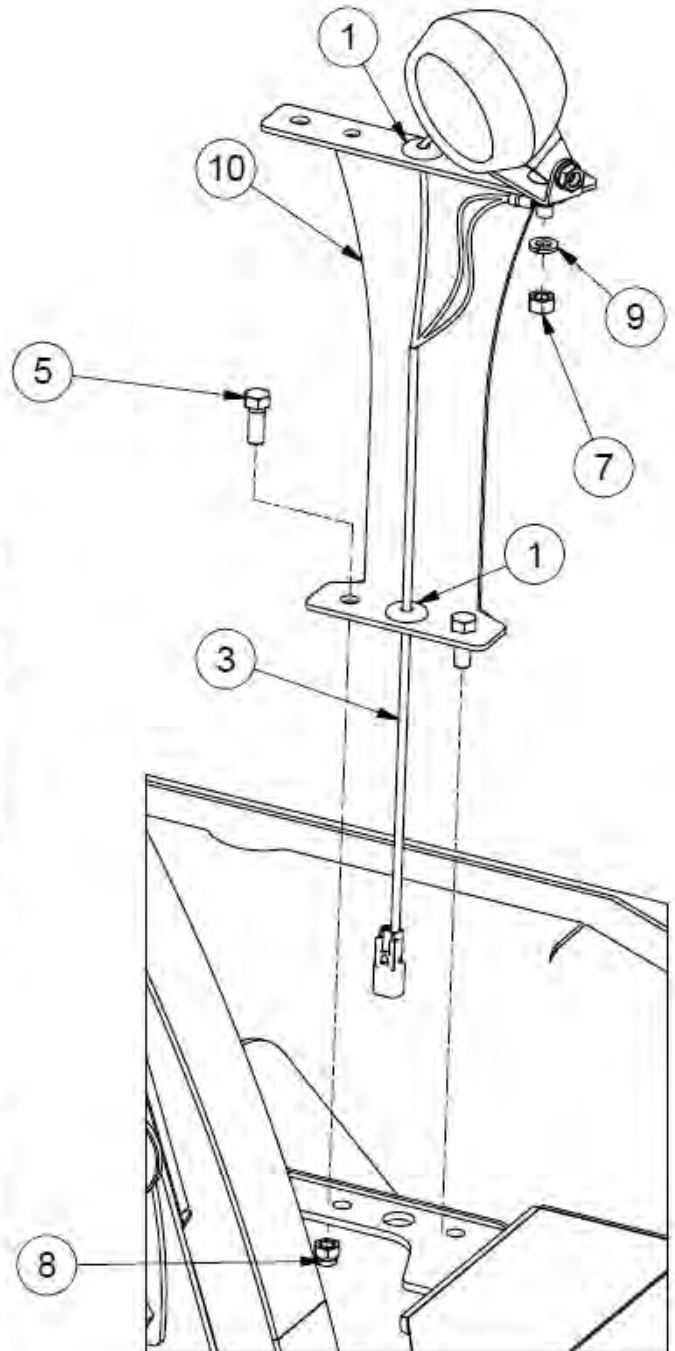
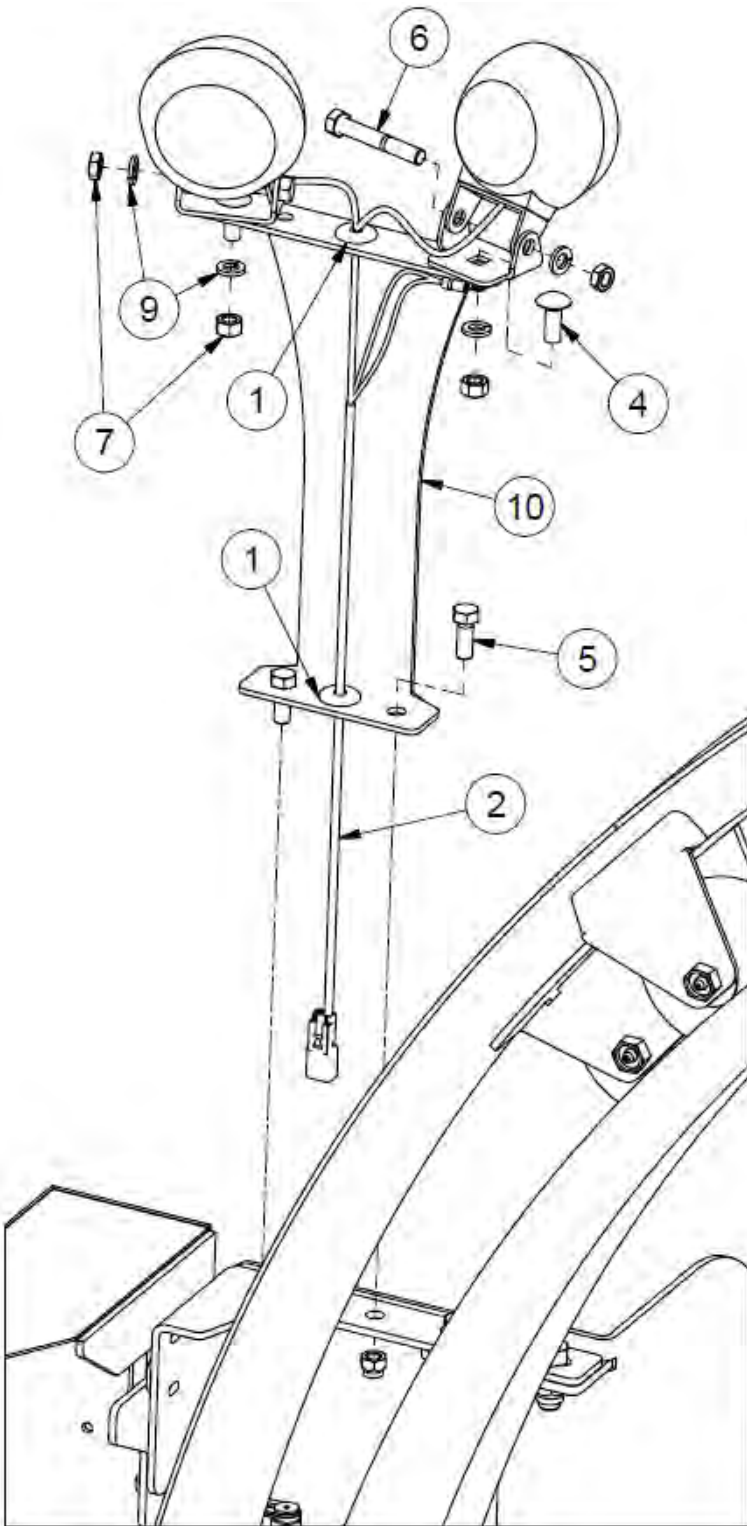
TLNWLKLED-ECV - LED Night Light Kit



TLNWLKLED-ECV - LED Night Light Kit

| ITEM | QTY | PART NUMBER | DESCRIPTION |
|------|-----|-------------------|--|
| 1 | 4 | 30862 | Grommet for Night Lights |
| 2 | 1 | 43952 | TLNWLKLED-ECV Triple Wiring Harness |
| 3 | 1 | 44864 | Control Panel Light Bracket |
| 4 | 8 | HB #10-32X.5 SHCS | Hex Bolt - 3/16-32 x 1/2 Socket Head Cap Screw |
| 5 | 4 | HB 3/8-16X1 Z5 | Hex Bolt 3/8-16x1 Grade 5 Zinc Plated Hex Cap Screw |
| 6 | 4 | HB 5/16-18X1 Z5 | Hex Bolt 5/16-18x1 Grade 5 Zinc Plated Hex Cap Screw |
| 7 | 4 | HN 5/16 | Hex Nut 5/16"-18 Grade 5 Zinc Plated Finished |
| 8 | 8 | LN #10 F | Center Locknuts (3/16-32) 2-Way Fine Thread |
| 9 | 4 | LN 3/8 N | LN 3/8-16 Zinc Plated Nylon Insert Lock Nut |
| 10 | 4 | LW 5/16 | LW - 5/16" Zinc Plated Medium Split |
| 11 | 2 | TL5X2-100-201 | Light Bracket |
| 12 | 1 | 43953 | TLNWLKLED-ECV Single Harness |

TLNWLK-ECV - Halogen Night Light Kit



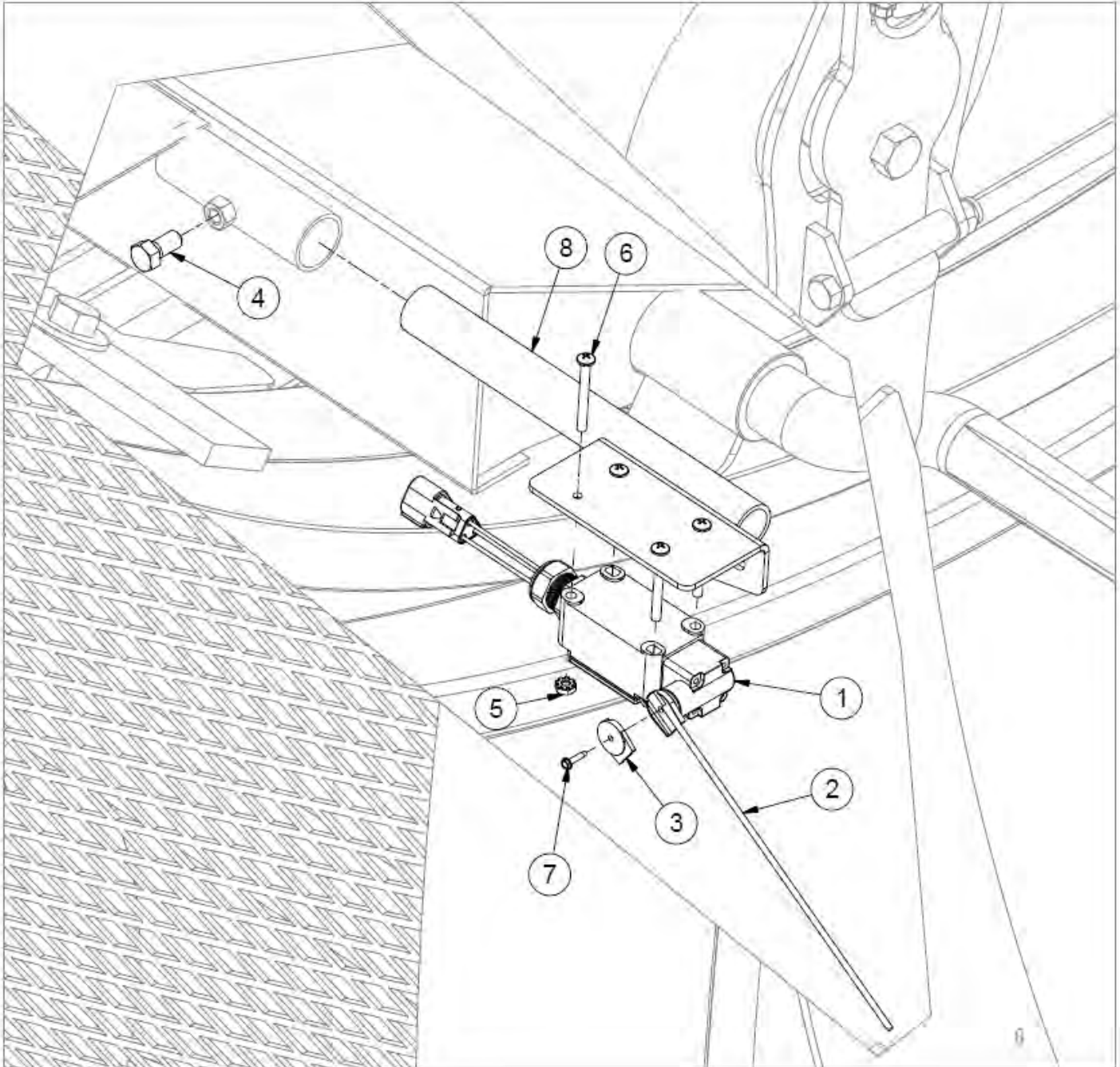
TLNWLK-ECV - Halogen Night Light Kit

| ITEM | QTY | PART NUMBER | DESCRIPTION | NOTE |
|------|-----|------------------|---|-------------|
| 1 | 4 | 30862 | Grommet for Night Lights | |
| 2 | 1 | 43619 | TLNWLK-ECV Twin Harness | Inc. Lights |
| 3 | 1 | 43620 | TLNWLK-ECV Single Harness | Inc. Light |
| 4 | 3 | CB 3/8-16 X1 Z5 | Carriage Bolt - 3/8-16 x 1" Grade 5 Zinc | |
| 5 | 4 | HB 3/8-16X1 Z5 | Hex Bolt 3/8-16x1 Grade 5 Zinc Plated Hex Cap Screw | |
| 6 | 3 | HB 3/8-24X2.5 Z5 | Hex Bolt 3/8-24x2 1/2 Grade 5 Zinc Plated Hex Cap Screw | |
| 7 | 3 | HN 3/8 | Hex Nut 3/8"-16 Grade 5 Zinc Plated Finished | |
| 8 | 4 | LN 3/8 N | LN 3/8-16 Zinc Plated Nylon Insert Lock Nut | |
| 9 | 6 | LW 3/8 | LW - 3/8" Zinc Plated Medium Split | |
| 10 | 2 | TL5X2-100-201 | Light Bracket | |

TLGSECV - Laser Guidance System

| ITEM | QTY | PART NUMBER | DESCRIPTION |
|------|-----|------------------|--|
| 1 | 1 | 39373 | Laser Guidance Assembly |
| 2 | 1 | 27566 | Compression Spring .97 OD X 2.0 |
| 3 | 1 | 39367 | Laser Pin Bracket |
| 4 | 1 | 39372 | Pivot Bracket |
| 5 | 1 | 39387 | Laser Guidance Sensor |
| 6 | 1 | 40846 | Stiffener Plate |
| 7 | 1 | FW 1/2 | Flatwasher - 1/2" Zinc Plated USS |
| 8 | 1 | FW 5/16 | Flatwasher - 5/16" Zinc Plated USS |
| 9 | 1 | HB5/16-18X1.25Z5 | Hex Bolt 5/16-18x1 1/4 Grade 5 Zinc Plated Hex Cap Screw |
| 10 | 1 | HP .125X1.5 | Pin Hitch - .125 X 1.5 |
| 11 | 2 | LN#8-32NCZ5 | LN 8-32 Zinc Plated Nylon Insert Lock Nut |
| 12 | 1 | LN5/16-18NCZ5 | LN 5/16-18 Zinc Plated Nylon Insert Lock Nut |
| 13 | 2 | MS #8X36X2 | Machine Screw - (Inch) |
| 14 | 1 | 43810 | Wiring Harness Laser ECV- M12 to Deutsch 3 Pin |
| 15 | 1 | 43811 | ECV Laser Wiring - ECU to 3 Pin Deutsh |

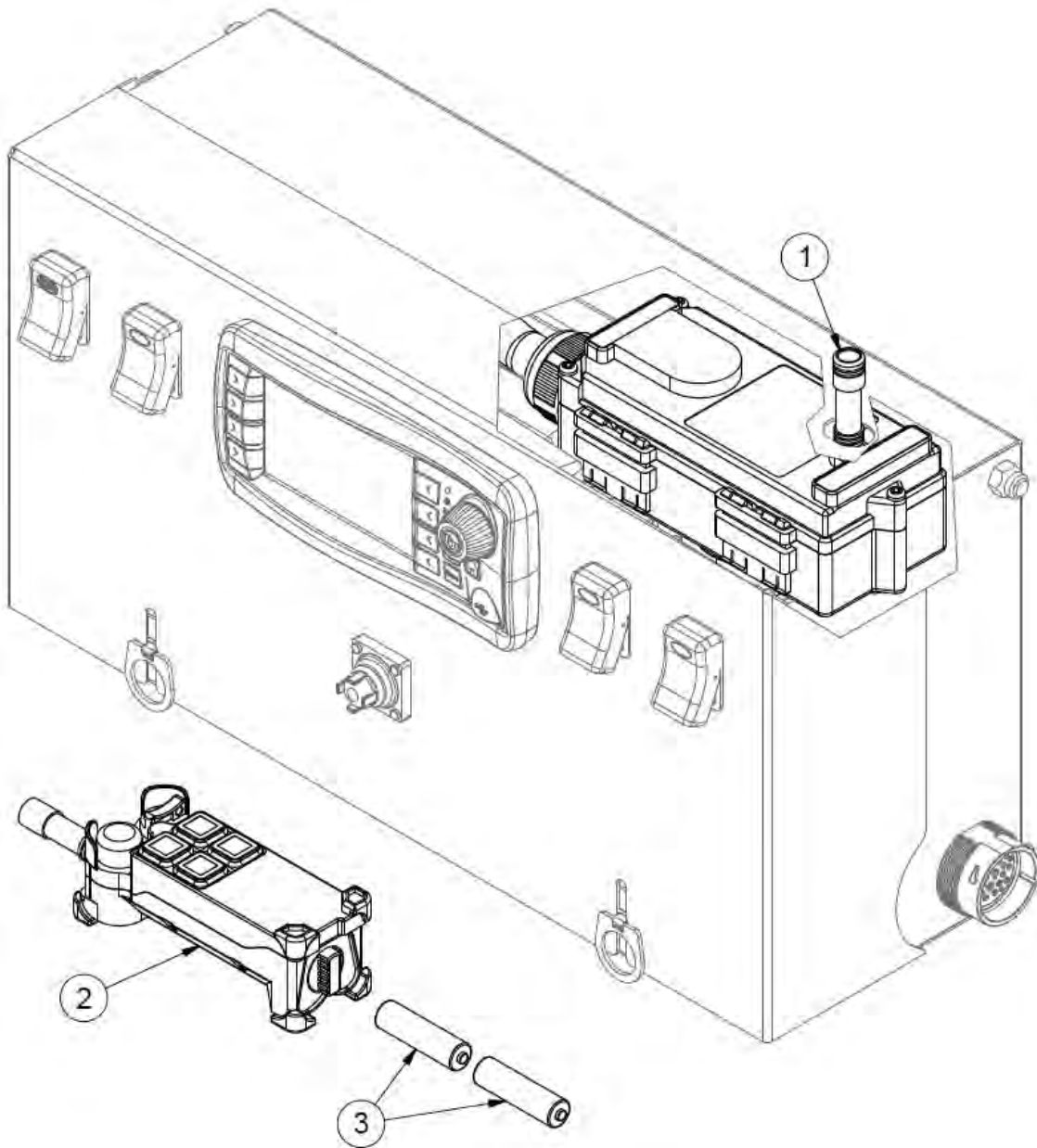
TLPSSK-ECV - Plastic Sensor Shutdown Kit



TLPSSK-ECV - Plastic Sensor Shutdown Kit

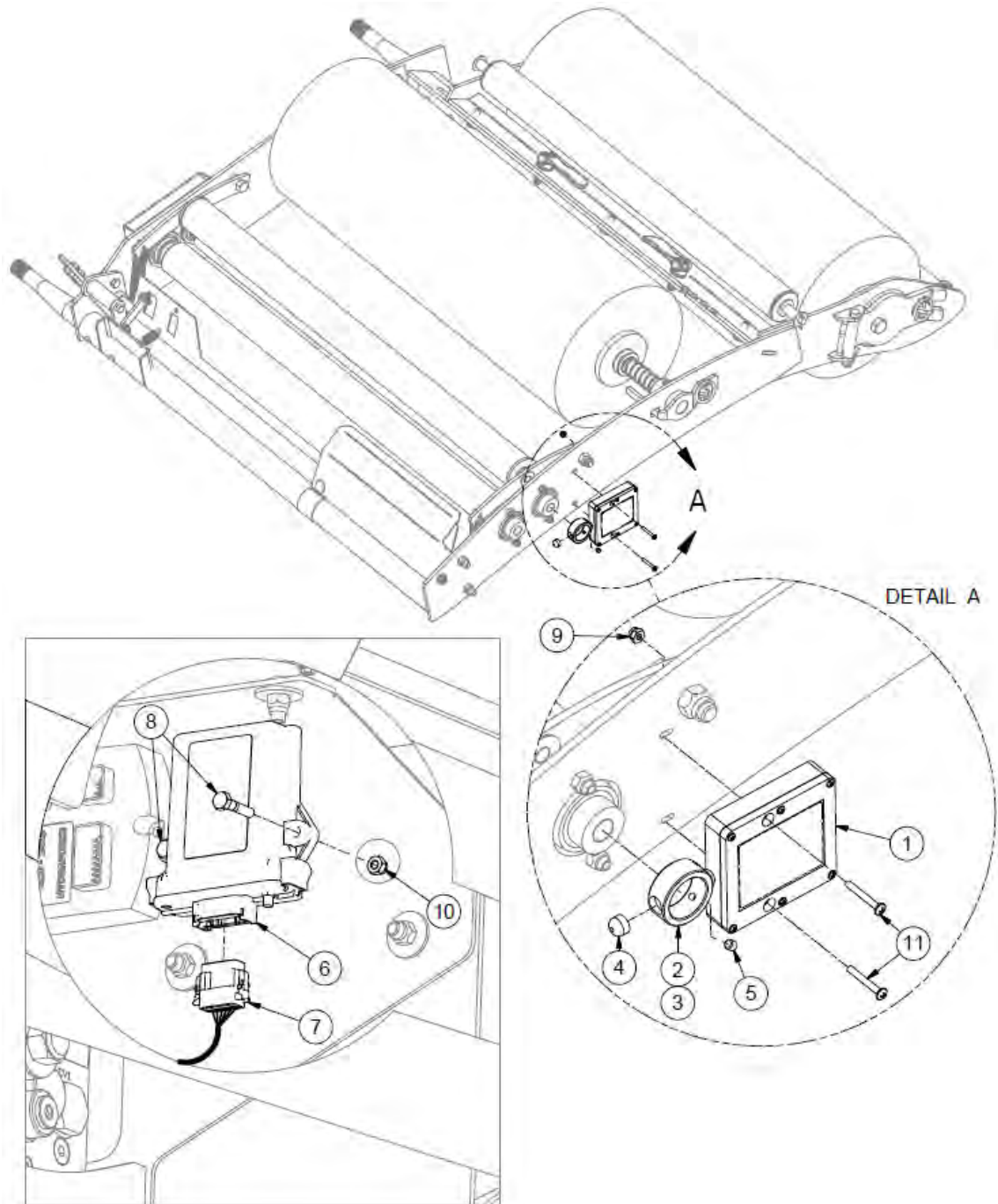
| ITEM | QTY | PART NUMBER | DESCRIPTION | NOTE |
|------|-----|-------------------|--|-----------------|
| 1 | 1 | 32635 | ECV Wrapper, Film Sensor Switch | Inc Items 2 & 3 |
| 2 | 1 | TL550-100-049 | Wire Arm | |
| 3 | 1 | TL550-100-082 | Wire Clamp | |
| 4 | 1 | HB 3/8-16X0.75 Z5 | Hex Bolt 3/8-16x3/4 Grade 5 Zinc Plated Hex Cap Screw | |
| 5 | 4 | LN 10-24 | K-Lok Locknut | |
| 6 | 4 | MS #10X24X1.75 | Machine Screw - (Inch) | |
| 7 | 1 | MS 4 X 0.5 SDS | Machine Screw - 1/8 x 1/2 Hex Washer Head Self Drilling Screw Zinc | |
| 8 | 1 | TLFSB2007 | Film Sensor Mtg. Brkt. | |

TLRSSKX2HDECV - Remote Control Kit



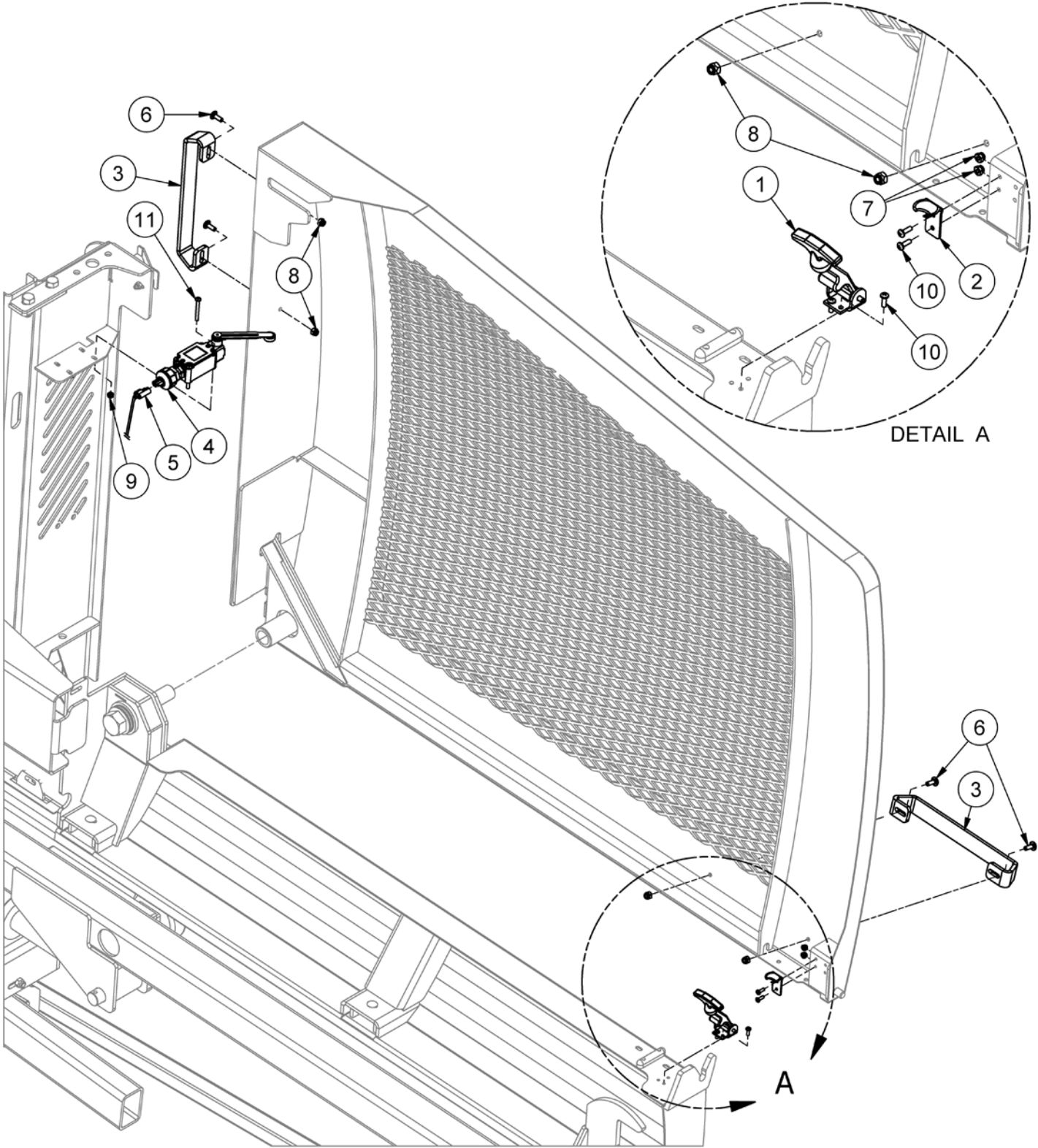
| ITEM | QTY | PART NUMBER | DESCRIPTION | NOTE |
|------|-----|-------------|---|--------------|
| 1 | 1 | 32648 | Remote Receiver (ECV Wrapper) in Enclosure w/ DT Plug | |
| 2 | 1 | TLHHCX2HD | Hand Held Remote (Orange) | |
| 3 | 2 | AA Battery | | Not Included |

TLPSSKWECV - Plastic Sensor Shutdown Kit



| ITEM | QTY | PART NUMBER | DESCRIPTION | NOTE |
|------|-----|-------------------|---|-----------------|
| 1 | 2 | 41970 | Film Sensor Transmitter Board | |
| 2 | 2 | 42697 | Film Sensor Bushing Assembly | Inc Items 3 - 5 |
| 3 | 2 | 42698 | Film Sensor Bushing | |
| 4 | 4 | 42699 | 1/2" Rare Earth Magnet | |
| 5 | 2 | SS 14X14 | Allan Head Set Screw, Cup Point Set Screw 1/4-20 x 1/4 | |
| 6 | 1 | 43615 | Receiver Board for ECV Film Sensor | |
| 7 | 1 | 44908 | Film Break Sensor Harness for ECV | |
| 8 | 2 | HB 1/4-20X1.25 Z5 | Hex Bolt 1/4-20x1 1/4 Grade 5 Zinc Plated Hex Cap Screw | |
| 9 | 2 | LN #8 N | LN 3/16-32 Zinc Plated Nylon Insert Lock Nut | |
| 10 | 2 | LN 1/4 N | LN 1/4-20 Zinc Plated Nylon Insert Lock Nut | |
| 11 | 2 | MS #8X32X1.25 | Machine Screw - (Inch) | |

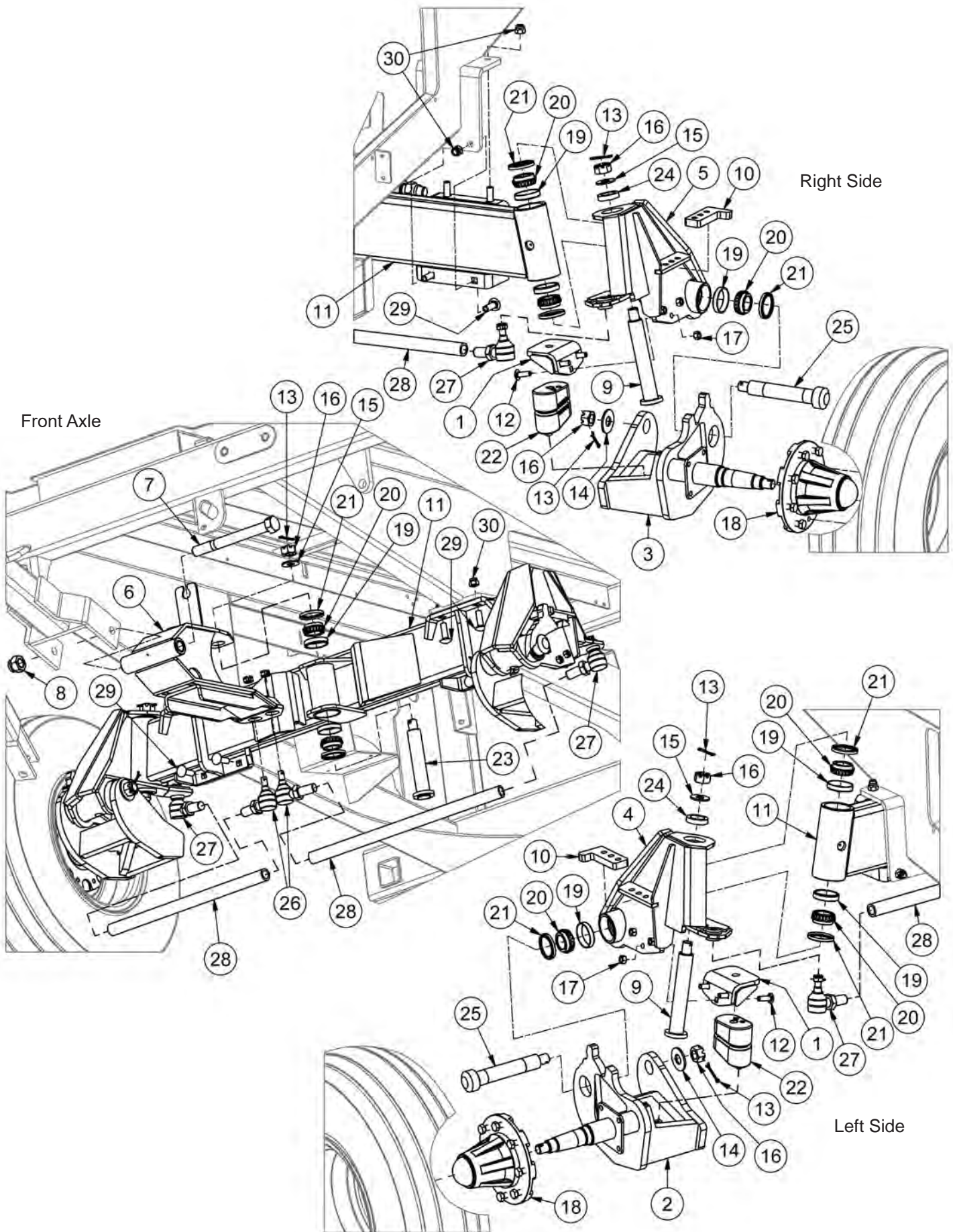
TLOSG - Optional Safety Guard



TLOSG - Optional Safety Guard

| ITEM | QTY | PART NUMBER | DESCRIPTION |
|------|-----|--------------------|--|
| 1 | 1 | 38048 | Battery Cover Hold Down |
| 2 | 1 | 38343 | Battery Latch |
| 3 | 2 | 44858 | Door Handle |
| 4 | 1 | 45920 | Door Limit Switch |
| 5 | 1 | 45949 | LSV Right Safety Guard Harness |
| 6 | 4 | CB 1/4-20 X0.75 Z5 | Carriage Bolt - 1/4-20 x 3/4" Grade 5 Zinc |
| 7 | 5 | LN #8 N | LN 3/16-32 Zinc Plated Nylon Insert Lock Nut |
| 8 | 4 | LN 1/4 N | LN 1/4-20 Zinc Plated Nylon Insert Lock Nut |
| 9 | 4 | LN 10-24 | K-Lok Locknut |
| 10 | 5 | MS #8X32X0.5 | Machine Screw - (Inch) |
| 11 | 4 | MS #10X24X1.75 | Machine Screw - (Inch) |

47501 - Suspension Axle



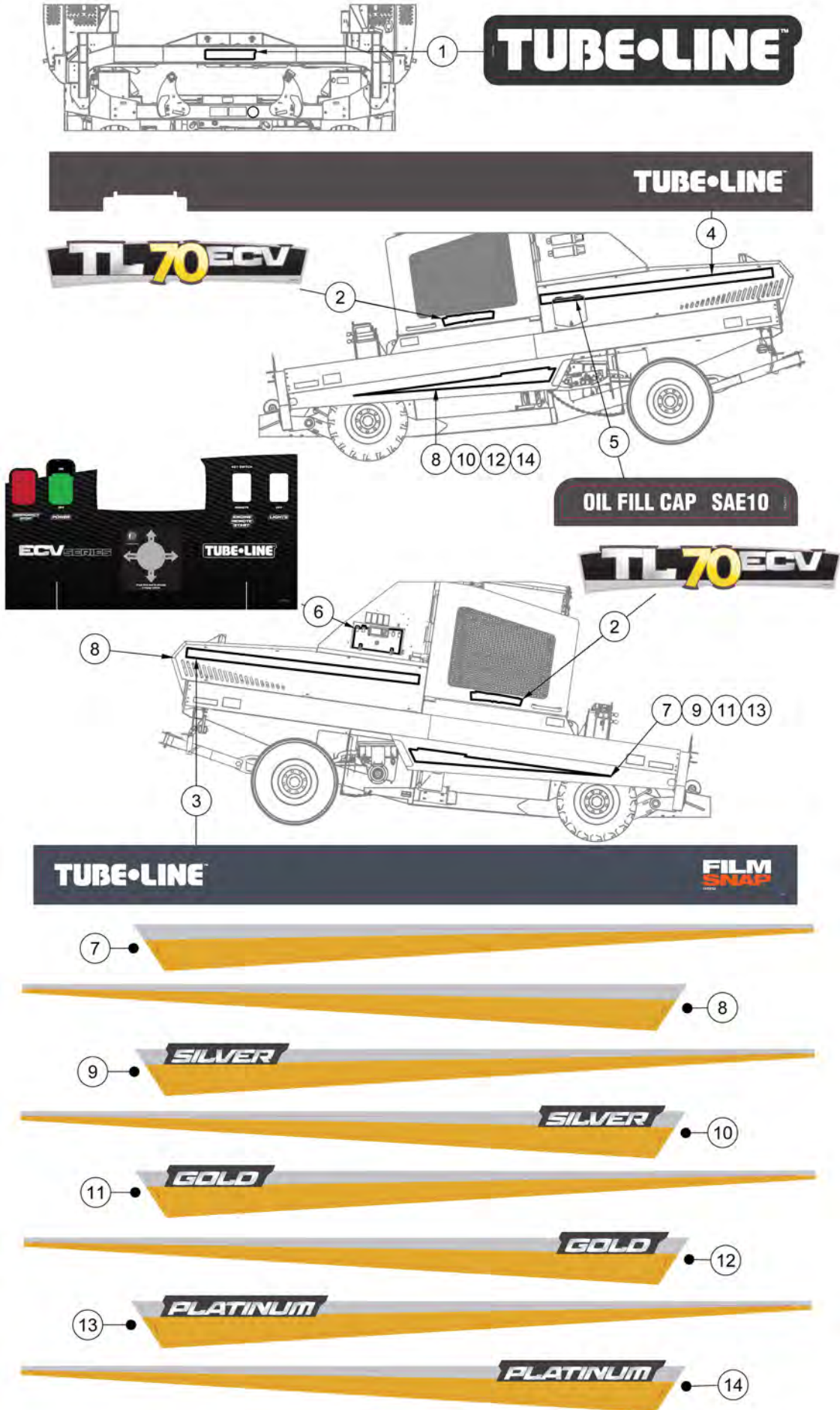
47501 - Suspension Axle

| ITEM | QTY | PART NUMBER | DESCRIPTION |
|------|-----|------------------|---|
| 1 | 2 | 205SP-004 | Rubber Spring Top Mount Assembly |
| 2 | 1 | 205SP-006 | TL70 Left Roadflex Spindle |
| 3 | 1 | 205SP-007 | TL70 Right Roadflex Spindle |
| 4 | 1 | 205SP-008 | TL70 Left Roadflex Pivot Frame |
| 5 | 1 | 205SP-009 | TL70 Right Roadflex Pivot Frame |
| 6 | 1 | 48358 | TL70 Roadflex Yoke Weldment |
| 7 | 1 | HB1 1/8-7X11Z5 | Hex Bolt 1 1/8-7x11 Grade 5 Zinc Plated Hex Cap Screw |
| 8 | 1 | LN1 1/8-7NCZ5 | LN 1 1/8-7 Zinc Plated Nylon Insert Lock Nut |
| 9 | 2 | 205SP-012 | TL70 Roadflex Pivot Pin |
| 10 | 2 | 205SP-41 | Compression Set Screw |
| 11 | 1 | 48357 | TL70 Roadflex Axle Weldment |
| 12 | 6 | CB1/2-13X1.5CZ5 | Carriage Bolt - 1/2-13 x 1 1/2" Grade 5 Zinc |
| 13 | 5 | CP 3/16 X 2 | Pin,Cotter - 3/16" X 2" Zinc Finish Extended Prong |
| 14 | 2 | FW 1.0 | Flatwasher - 1" Zinc Plated USS |
| 15 | 3 | FW 3/4 | Flatwasher - 3/4" Zinc Plated USS |
| 16 | 5 | HN1-12 UNFCastle | Hex Nut 1"-12 Slotted Plain Finish (NF Castle Nut Bare) |
| 17 | 6 | HN1/2-13CZ5 | Hex Nut 1/2"-13 Grade 5 Zinc Plated Finished |
| 18 | 2 | HUB 6500 | 6500 Hub c/w Parts |
| 19 | 10 | LA-11-1009 | Cup (13620) |
| 20 | 10 | LA-11-1010 | Cone (13686) |
| 21 | 10 | LA-11-1011 | Seal (CR20952) |
| 22 | 2 | LA-11-1721 | Timbren Rubber Spring (A00101-6500D) |
| 23 | 1 | LA-22-1055 | Timkin Bolt |
| 24 | 2 | LA-22-1529 | Spacer Bushing (1.5" ID x 2.25" OD x .5") |
| 25 | 2 | LA-22-1767 | Knuckle Pivot Pin |
| 26 | 2 | TL650-111-006 | Tie Rod End for 6500 Right Thread |
| 27 | 2 | TL650-111-007 | Tie Rod End for 6500 Left Thread |
| 28 | 2 | TL6500SP-02 | Steering Rod |
| 29 | 8 | CB5/8-11X2CZ5 | Carriage Bolt - 5/8-11 x 2" Grade 5 Zinc |
| 30 | 8 | LN5/8-11NCZ5 | LN 5/8-11 Zinc Plated Nylon Insert Lock Nut |

Safety Decals

| ITEM | QTY | PART NUMBER | DESCRIPTION | NOTE |
|------|-----|-------------|--|-------------|
| | 1 | DE46940 | TL70 Safety Decal Kit | Items 1-23 |
| 1 | 1 | DE23941 | Canada/USA Patent Decal | |
| 2 | 1 | DE23959 | Bale Settings Correct and Incorrect | |
| 3 | 1 | DE23971 | Wrapping and Storage Decal | |
| 4 | 1 | DE30871 | Balewrapper Oil Fill Decal | |
| 5 | 1 | DE30879 | Remote Control Enclosed Decal | |
| 6 | 1 | DE30880 | Charging Terminal Decal | |
| 7 | 2 | DE30881 | Tape Holder Decal | |
| 8 | 2 | DE36082 | Plastic Film Routing Info Decal | |
| 9 | 1 | DE41713H | ISO Decal - High Pressure Fluid Horizontal | |
| 10 | 1 | DE41714S | ISO Decal - Read Operator's Manual | |
| 11 | 1 | DE41715S | ISO Decal - Remove Key Before Repair | |
| 12 | 2 | DE41921 | ISO Decal - Do Not Stand on Rollers | |
| 13 | 1 | DE41925 | ISO Decal - Hoop Wheel Entanglement | |
| 14 | 1 | DE41935H | ISO Decal - Transport Speed Limit | |
| 15 | 1 | DE42784S | ISO Decal - Read OM Decal Section | |
| 16 | 2 | DE43049 | ISO Decal - Wheel Crush | |
| 17 | 1 | DE43874S | ISO Decal - Panel OFF Before Boosting | |
| 18 | 2 | DE43875H | ISO Decal - Hand Crush | |
| 19 | 1 | DE46918 | TL70 LH Bale Saddle Decal | |
| 20 | 1 | DE46919 | TL70 RH Bale Saddle Decal | |
| 21 | 2 | DE46949 | Dispatch Arm ISO Decal | |
| 22 | 1 | DE46954 | Bale Saddle Lever Decal | |
| 23 | 1 | DECANADA | Decal Made In Canada | |
| 24 | 1 | DE45925 | Decal - Small SIS 30kmh | Intl Models |
| 25 | 1 | DE45926 | Decal - Large SIS 30kph | US Models |
| 26 | 1 | DE45927 | Decal - Small SIS 20mph | Intl Models |
| 27 | 1 | DE45928 | Decal - Large SIS 20mph | US Models |

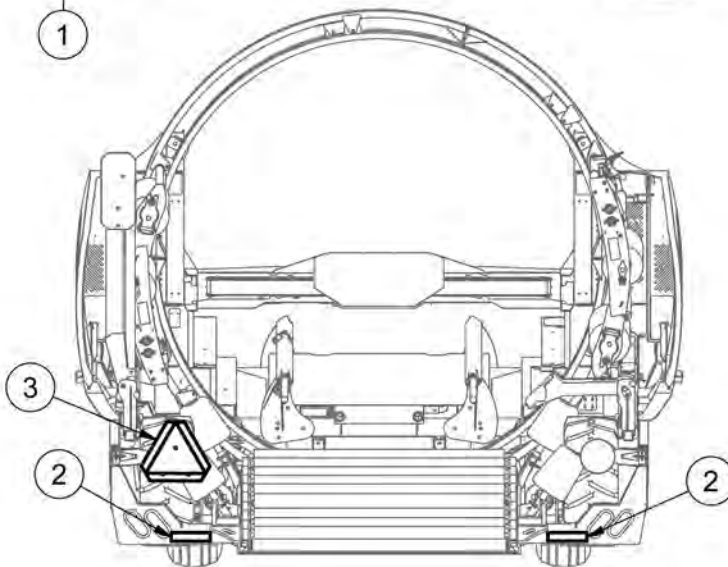
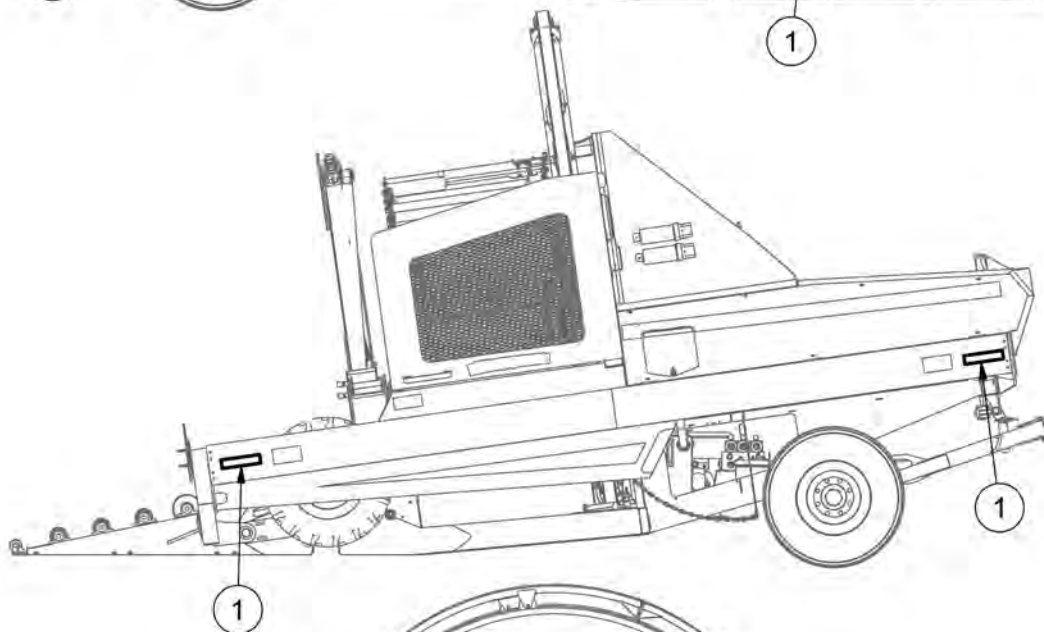
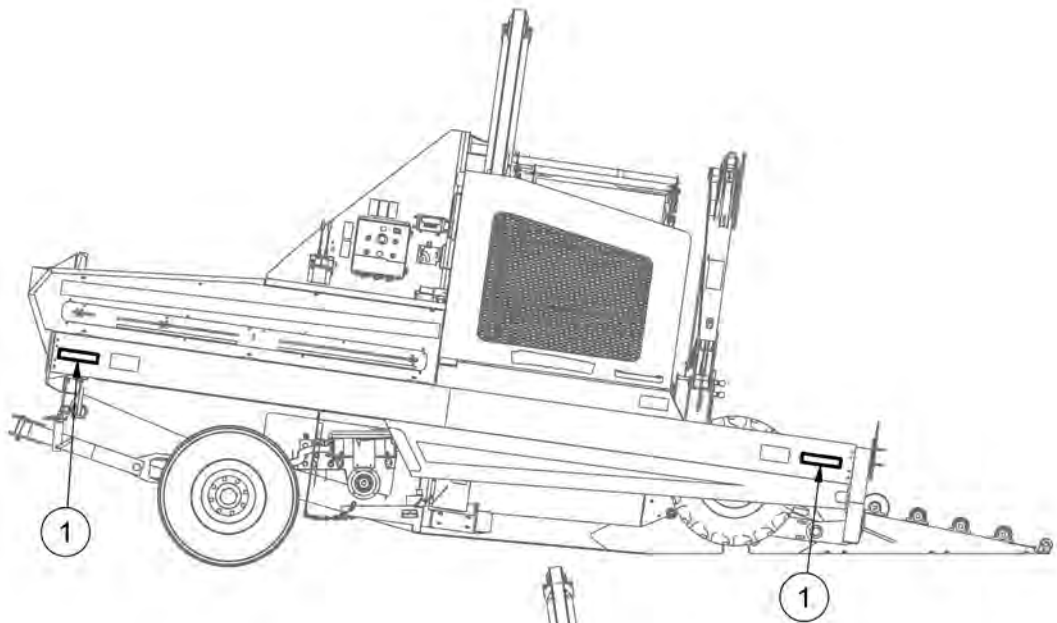
Model Decals



Model Decals

| ITEM | QTY | PART NUMBER | DESCRIPTION | NOTE |
|------|-----|-------------|-----------------------------|-------------|
| | 1 | DE46942 | TL70ECV Model Decal Kit | Items 1 - 5 |
| 1 | 1 | DE44845 | 2019 Tubeline Decal | |
| 2 | 2 | DE46752 | TL70ECV Model Decal | |
| 3 | 1 | DE46753 | TL70 Left Side Decal | |
| 4 | 1 | DE46754 | TL70 Right Side Decal | |
| 5 | 1 | DE46959 | TL70 Oil Fill Decal | |
| 6 | 1 | DE46910 | TL70ECV Control Panel Decal | |
| 7 | 1 | DE44867 | Standard Brand Left Decal | |
| 8 | 1 | DE44868 | Standard Brand Right Decal | |
| 9 | 1 | DE44852 | Silver Brand Left Decal | |
| 10 | 1 | DE44853 | Silver Brand Right Decal | |
| 11 | 1 | DE44854 | Gold Brand Left Decal | |
| 12 | 1 | DE44855 | Gold Brand Right Decal | |
| 13 | 1 | DE44856 | Platinum Brand Left Decal | |
| 14 | 1 | DE44857 | Platinum Brand Right Decal | |

Clearance Markers














| ITEM | QTY | PART NUMBER | DESCRIPTION |
|------|-----|--------------|------------------------------|
| 1 | 4 | DEAMBERSTRIP | Amber Reflective Strip Decal |
| 2 | 2 | DEREDSTRIP | Red Reflective Strip Decal |
| 3 | 1 | DESMV | Slow Moving Vehicle Sign |

Intentionally Left Blank

Imperial Torque Value Chart

UNIFIED INCH BOLT AND CAP SCREW TORQUE VALUES

| | | | | | | |
|-----------------------------|---|---|---|---|---|---|
| SAE Grade and Head Markings | 1 or 2 ^b | 5 | 5.1 | 5.2 | 8 | 8.2 |
| | NO MARK  |  |  |  |  |  |
| SAE Grade and Nut Markings | 2 | 5 | | 8 | | |
| | NO MARK  |  |  |  |  | |

T81162 -10-04-0101

| Size | Grade 1 | | | | Grade 2 ^b | | | | Grade 5, 5.1, or 5.2 | | | | Grade 8 or 8.2 | | | |
|-------|-------------------------|-------|------------------|-------|-------------------------|-------|------------------|-------|-------------------------|-------|------------------|-------|-------------------------|-------|------------------|-------|
| | Lubricated ^a | | Dry ^a | | Lubricated ^a | | Dry ^a | | Lubricated ^a | | Dry ^a | | Lubricated ^a | | Dry ^a | |
| | N-m | lb-ft | N-m | lb-ft | N-m | lb-ft | N-m | lb-ft | N-m | lb-ft | N-m | lb-ft | N-m | lb-ft | N-m | lb-ft |
| 1/4 | 3.7 | 2.8 | 4.7 | 3.5 | 6 | 4.5 | 7.5 | 5.5 | 9.5 | 7 | 12 | 9 | 13.5 | 10 | 17 | 12.5 |
| 5/16 | 7.7 | 5.5 | 10 | 7 | 12 | 9 | 15 | 11 | 20 | 15 | 25 | 18 | 28 | 21 | 35 | 26 |
| 3/8 | 14 | 10 | 17 | 13 | 22 | 16 | 27 | 20 | 35 | 26 | 44 | 33 | 50 | 38 | 63 | 46 |
| 7/16 | 22 | 16 | 28 | 20 | 35 | 26 | 44 | 32 | 55 | 41 | 70 | 52 | 80 | 58 | 100 | 75 |
| 1/2 | 33 | 25 | 42 | 31 | 53 | 39 | 67 | 50 | 85 | 63 | 110 | 80 | 120 | 90 | 150 | 115 |
| 9/16 | 48 | 36 | 60 | 45 | 75 | 56 | 95 | 70 | 125 | 90 | 155 | 115 | 175 | 130 | 225 | 160 |
| 5/8 | 67 | 50 | 85 | 62 | 105 | 78 | 135 | 100 | 170 | 125 | 215 | 160 | 240 | 175 | 300 | 225 |
| 3/4 | 120 | 87 | 150 | 110 | 190 | 140 | 240 | 175 | 300 | 225 | 375 | 280 | 425 | 310 | 550 | 400 |
| 7/8 | 190 | 140 | 240 | 175 | 190 | 140 | 240 | 175 | 490 | 360 | 625 | 450 | 700 | 500 | 875 | 650 |
| 1 | 290 | 210 | 360 | 270 | 290 | 210 | 360 | 270 | 725 | 540 | 925 | 675 | 1050 | 750 | 1300 | 975 |
| 1-1/8 | 400 | 300 | 510 | 375 | 400 | 300 | 510 | 375 | 900 | 675 | 1150 | 850 | 1450 | 1075 | 1850 | 1350 |
| 1-1/4 | 570 | 425 | 725 | 530 | 570 | 425 | 725 | 530 | 1300 | 950 | 1650 | 1200 | 2050 | 1500 | 2600 | 1950 |
| 1-3/8 | 750 | 550 | 950 | 700 | 750 | 550 | 950 | 700 | 1700 | 1250 | 2150 | 1550 | 2700 | 2000 | 3400 | 2550 |
| 1-1/2 | 1000 | 725 | 1250 | 925 | 990 | 725 | 1250 | 930 | 2250 | 1650 | 2850 | 2100 | 3600 | 2650 | 4550 | 3350 |

DO NOT use these values if a different torque value or tightening procedure is given for a specific application. Torque values listed are for general use only. Check tightness of fasteners periodically.

Shear bolts are designed to fail under predetermined loads. Always replace shear bolts with identical grade.

^a "Lubricated" means coated with a lubricant such as engine oil, or fasteners with phosphate and oil coatings. "Dry" means plain or zinc plated without any lubrication.

^b Grade 2 applies for hex cap screws (not hex bolts) up to 152 mm (6-in.) long. Grade 1 applies for hex cap screws over 152 mm (6-in.) long, and for all other types of bolts and screws of any length.

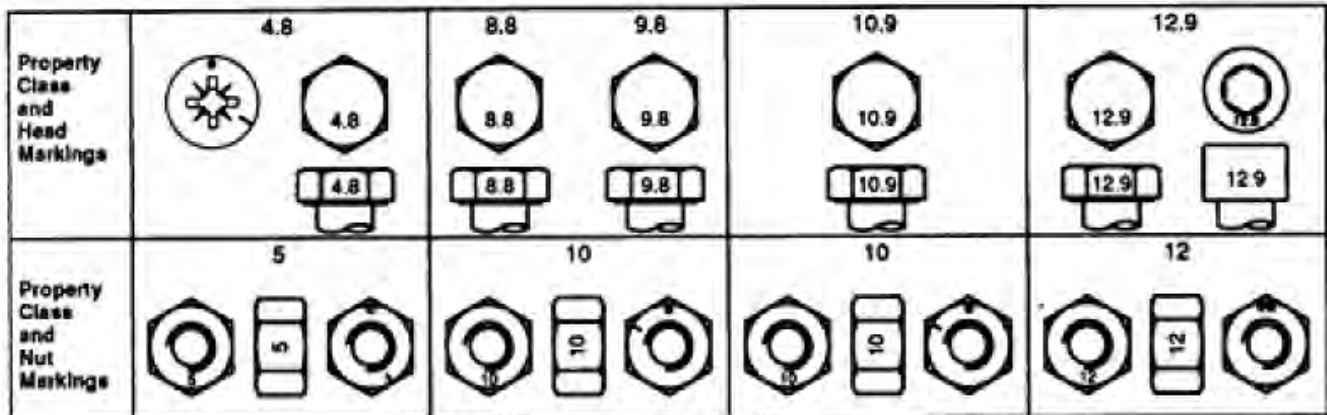
Fasteners should be replaced with the same or higher grade. If higher grade fasteners are used, these should only be tightened to the strength of the original.

Make sure fasteners threads are clean and that you properly start thread engagement. This will prevent them from failing when tightening.

Tighten plastic insert or crimped steel-type lock nuts to approximately 50 percent of the dry torque shown in the chart, applied to the nut, not to the bolt head. Tighten toothed or serrated-type lock nuts to the full torque value.

Metric Torque Value Chart

METRIC BOLT AND CAP SCREW TORQUE VALUES



| Size | Class 4.8 | | | | Class 8.8 or 9.8 | | | | Class 10.9 | | | | Class 12.9 | | | |
|------|-------------------------|-------|------------------|-------|-------------------------|-------|------------------|-------|-------------------------|-------|------------------|-------|-------------------------|-------|------------------|-------|
| | Lubricated ^a | | Dry ^a | | Lubricated ^a | | Dry ^a | | Lubricated ^a | | Dry ^a | | Lubricated ^a | | Dry ^a | |
| | N-m | lb-ft | N-m | lb-ft | N-m | lb-ft | N-m | lb-ft | N-m | lb-ft | N-m | lb-ft | N-m | lb-ft | N-m | lb-ft |
| M6 | 4.8 | 3.5 | 6 | 4.5 | 9 | 6.5 | 11 | 8.5 | 13 | 9.5 | 17 | 12 | 15 | 11.5 | 19 | 14.5 |
| M8 | 12 | 8.5 | 15 | 11 | 22 | 16 | 28 | 20 | 32 | 24 | 40 | 30 | 37 | 28 | 47 | 35 |
| M10 | 23 | 17 | 29 | 21 | 43 | 32 | 55 | 40 | 63 | 47 | 80 | 60 | 75 | 55 | 95 | 70 |
| M12 | 40 | 29 | 50 | 37 | 75 | 55 | 95 | 70 | 110 | 80 | 140 | 105 | 130 | 95 | 165 | 120 |
| M14 | 63 | 47 | 80 | 60 | 120 | 88 | 150 | 110 | 175 | 130 | 225 | 165 | 205 | 150 | 260 | 190 |
| M16 | 100 | 73 | 125 | 92 | 190 | 140 | 240 | 175 | 275 | 200 | 350 | 255 | 320 | 240 | 400 | 300 |
| M18 | 135 | 100 | 175 | 125 | 260 | 195 | 330 | 250 | 375 | 275 | 475 | 350 | 440 | 325 | 560 | 410 |
| M20 | 190 | 140 | 240 | 180 | 375 | 275 | 475 | 350 | 530 | 400 | 675 | 500 | 625 | 460 | 800 | 580 |
| M22 | 260 | 190 | 330 | 250 | 510 | 375 | 650 | 475 | 725 | 540 | 925 | 675 | 850 | 625 | 1075 | 800 |
| M24 | 330 | 250 | 425 | 310 | 650 | 475 | 825 | 600 | 925 | 675 | 1150 | 850 | 1075 | 800 | 1350 | 1000 |
| M27 | 490 | 360 | 625 | 450 | 950 | 700 | 1200 | 875 | 1350 | 1000 | 1700 | 1250 | 1600 | 1150 | 2000 | 1500 |
| M30 | 675 | 490 | 850 | 625 | 1300 | 950 | 1650 | 1200 | 1850 | 1350 | 2300 | 1700 | 2150 | 1600 | 2700 | 2000 |
| M33 | 900 | 675 | 1150 | 850 | 1750 | 1300 | 2200 | 1650 | 2500 | 1850 | 3150 | 2350 | 2900 | 2150 | 3700 | 2750 |
| M36 | 1150 | 850 | 1450 | 1075 | 2250 | 1650 | 2850 | 2100 | 3200 | 2350 | 4050 | 3000 | 3750 | 2750 | 4750 | 3500 |

DO NOT use these values if a different torque value or tightening procedure is given for a specific application. Torque values listed are for general use only. Check tightness of fasteners periodically.

Shear bolts are designed to fail under predetermined loads. Always replace shear bolts with identical property class.

Fasteners should be replaced with the same or higher property class. If higher property class fasteners are used, these should only be tightened to the strength of the original.

^a "Lubricated" means coated with a lubricant such as engine oil, or fasteners with phosphate and oil coatings. "Dry" means plain or zinc plated without any lubrication.

Make sure fasteners threads are clean and that you properly start thread engagement. This will prevent them from failing when tightening.

Tighten plastic insert or crimped steel-type lock nuts to approximately 50 percent of the dry torque shown in the chart, applied to the nut, not to the bolt head. Tighten toothed or serrated-type lock nuts to the full torque value.

Index

| | |
|---|------|
| 20hp Throttle Linkage | .2-3 |
| 47501 - Suspension Axle | 5-19 |
| 47730 - Complete Ram | 1-24 |
| Bale Deck | 1-26 |
| Bale Saddles | 1-28 |
| Battery | .4-5 |
| Clearance Markers | .6-5 |
| Control Panel | .4-1 |
| Cylinder Supports | 1-18 |
| Dual Power Drive Bracket | .5-3 |
| Engine - 20hp Honda | .2-1 |
| Front Corners | 1-20 |
| Hoop | .1-2 |
| Hoop Drive | .1-4 |
| Hydraulic Manifold Mount | .3-3 |
| Hydraulic Oil Cooler | .3-4 |
| Hydraulic Oil Tank | .3-1 |
| Imperial Torque Value Chart | .7-1 |
| Inline Wrapper 3 Year Limited Warranty Statement (<i>Excludes Individual Wrapper</i>) | // |
| Left Hoop Brace | 1-10 |
| Left Safety Guard | 1-14 |
| Main Electrical Harness | .4-3 |
| Main Plastic Film Carrier | .1-6 |
| Maintenance Guard | 1-16 |
| Manuals | . I |
| Metric Torque Value Chart | .8-1 |
| Model Decals | .6-3 |
| Offset Twin Wrap Carrier | .1-8 |
| Parking Brake | 1-36 |
| Part Orders | . I |
| Parts Manual | . I |
| Parts Manual Usage | . I |
| Ram Speed Sensor | .4-6 |
| Rear Axle | 1-34 |
| Rear Light Brackets | 1-38 |
| Right Hoop Brace | 1-12 |
| Roller Bed | 1-32 |
| Safety Decals | .6-1 |
| Section 1: Basic Parts | .1-1 |
| Section 2: Engine | .2-1 |
| Section 3: Hydraulics | .3-1 |
| Section 4: Electrical | .4-1 |
| Section 5: Options | .5-1 |
| Section 6: Decals | .6-1 |

| | |
|--|------|
| Serial Number | I |
| Side Rails | 1-22 |
| Steering. | 1-30 |
| TLGR70 - Optional Guide Rollers. | .5-5 |
| TLGSECV - Laser Guidance System. | 5-11 |
| TLHPDD70 - Dual Power Drive | .5-1 |
| TLMPO-70 - Dispatch Arm | 1-40 |
| TLNWLK-ECV - Halogen Night Light Kit. | .5-9 |
| TLNWLKLED-ECV - LED Night Light Kit | .5-7 |
| TLOSG - Optional Safety Guard | 5-17 |
| TLPSSK-ECV - Plastic Sensor Shutdown Kit | 5-13 |
| TLPSSKWECV - Plastic Sensor Shutdown Kit. | 5-16 |
| TLRSSKX2HDECV - Remote Control Kit | 5-15 |

CALIFORNIA

Proposition 65 Warning

Battery posts, terminals, and similar parts may contain lead which are known to the State of California to cause cancer and reproductive harm.
Wear gloves and wash hands after handling.



WARNING

The engine exhaust from this product contains chemicals known in the state of California to cause cancer, birth defects, or other reproductive harm.

TUBE•LINE™