

# TUBE•LINE™

Tubeline Manufacturing Limited  
6455 Reid Woods Drive RR #4  
Elmira, Ontario, Canada N3B 2Z3

Email: [sales@tubeline.ca](mailto:sales@tubeline.ca)

Fax: 519.669.5808

Tel: 519.669.9488

Toll-free (North America): 1.888.856.6613

[www.tubeline.ca](http://www.tubeline.ca)

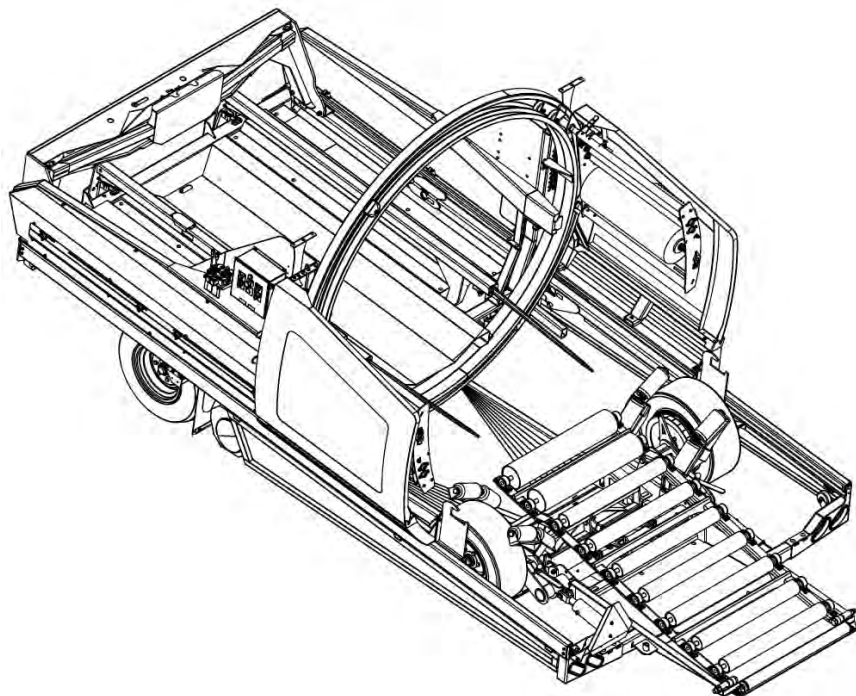
# Parts Manual

Keep this manual with the machine at all times.

## TL60LSV

Balewrapper

## TL60LSV



# Parts Manual

Thank you for choosing the Tubeline TL60LSV Balewrapper. Our hope is that it will give you many years of productive service. This machine is designed to wrap bales in a continual line with plastic film.

## Parts Manual Usage

This parts manual is used to order replacement parts by means of part breakdowns and their corresponding part lists. Each page contains a different range of integrated parts. Each illustration visually represents machine components. The part lists contain information needed to order replacement parts. Part lists include the following columns:

**ITEM** - Number matching parts breakdown balloons.

**QTY** - Quantity of components included in this breakdown, not entire machine.

**PART NUMBER** - The number to be used when placing an order.

**DESCRIPTION** - Term used to confirm its matching part number.

**NOTE** - Column may be added to part lists when a serial break or additional information is required.

Remember to always have your machine model and serial number on hand when ordering parts.

## Part Orders

Part orders are taken by your local Tubeline dealer and fulfilled through a regional distributor. For quick service please record your dealer name and contact information in the *Serial Number* section.

## Manuals

Parts manuals are printed and shipped with machines as they leave the manufacturer. Your machine may include parts or features not yet included in the initially shipped manual. The latest manual version can be found at [www.tubeline.ca/support](http://www.tubeline.ca/support). Tubeline reserves the right to update and change manuals as seen fit. Dealers are informed of any pressing changes/ modifications. They can help you with any questions regarding replacement parts.

## Serial Number

The implement serial number is located on the front left corner of the frame. (See below) This number helps us to track changes and improvements and must be mentioned when ordering parts or requesting service. For your convenience, a space has been provided inside the front cover of this manual to record the serial number, model number, purchase date, and dealer name.

Model No: \_\_\_\_\_ TL60LSV \_\_\_\_\_

Serial No: \_\_\_\_\_

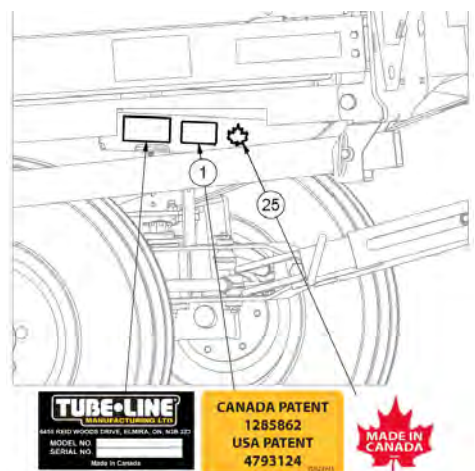
Date Purchased: \_\_\_\_\_

Dealer Name: \_\_\_\_\_

Dealer Contact: \_\_\_\_\_

Engine Model No: \_\_\_\_\_

Engine Serial No: \_\_\_\_\_





### **Inline Wrapper 3 Year Limited Warranty Statement** *(Excludes Individual Wrapper)*

All Equipment is sold subject to mutual agreement that it is warranted by Tube-Line Manufacturing Ltd (hereinafter the company) to be free from defects in material and workmanship. The company's liability shall be limited exclusively to the original owner to replace or repair without charge, at its factory or elsewhere, at its discretion, any defects in material or workmanship which become apparent in the first year from the date on which the equipment was purchased. In the second and third year the company will supply at no charge replacement of defective parts only. Installation and freight will be at the expense of the owner.

Components supplied by third parties and not manufactured by the company will carry such warranty as extended by such parties, such as but not limited to, tires, batteries, electrical components, hydraulics and engines.

The buyer by the acceptance of the equipment will assume all liability for any damages which may result from accident, abuse or misuse by his employees or others. Any equipment that has been altered or modified without prior written authorization by the company will render the warranty null and void.

No employee or representative of the company is authorized to make changes to this warranty or grant additional warranty terms unless authorized in writing by management of the company.

The company shall not be liable for special, indirect or consequential damages of any kind including but not limited to, loss of revenue, rental replacement costs or other losses.

Normal wear and tear from normal use of the equipment is not warranted. The end user is expected to maintain and service the equipment in accordance with accepted practices. Failure to do so will void the terms of this warranty.

Warranty coverage is null and void unless Warranty Registration form has been completely filled in and is on file at Tube-Line Manufacturing Ltd.

**NOTE:** Newest manual version can be found at [www.tubeline.ca/support](http://www.tubeline.ca/support)

# Table of Contents

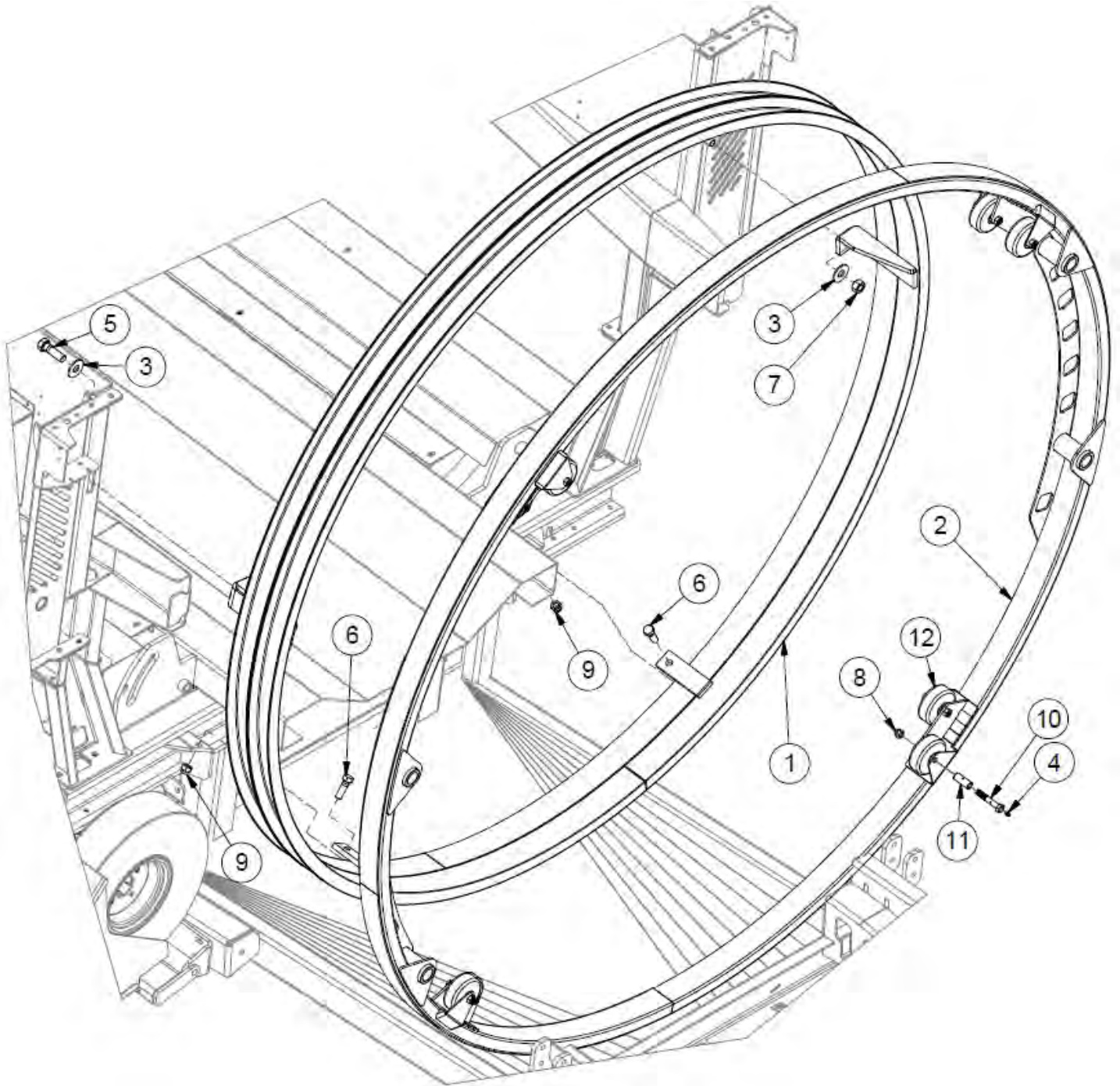
<b>Parts Manual</b>	<b>I</b>
Parts Manual Usage	I
Part Orders	I
Manuals	I
Serial Number	I
Inline Wrapper 3 Year Limited Warranty Statement ( <i>Excludes Individual Wrapper</i> )	II
<b>Section 1: Basic Parts</b>	<b>1-1</b>
Hoop	1-2
Hoop Drive	1-4
Plastic Film Carrier	1-6
Left Hoop Brace	1-8
Right Hoop Brace	1-10
Safety Guard	1-12
Maintenance Guard	1-14
Cylinder Supports	1-16
Front Corners	1-18
Side Rails	1-20
Front Pushoff	1-22
Bale Deck	1-24
Bale Saddles	1-26
Table Trigger	1-28
Steering	1-30
Roller Bed	1-32
Rear Axle	1-34
Parking Brake	1-36
Rear Light Brackets	1-38
Guide Rollers - Standard	1-40
<b>Section 2: Engines</b>	<b>2-1</b>
TL13HP - 13hp Honda	2-1
TL20HP - 20hp Honda	2-3
13hp Throttle Linkage	2-5
20hp Throttle Linkage	2-7
<b>Section 3: Hydraulics</b>	<b>3-1</b>
Hydraulic Layout - 13hp Front Circuits	3-1
Hydraulic Layout - 13hp Rear Circuits	3-3
Hydraulic Layout - 20hp Front Circuits	3-5
Hydraulic Layout - 20hp Rear Circuits	3-7
Hydraulic Oil Tank	3-9
Hydraulic Manifold Connections	3-11
Hydraulic Manifold	3-13
<b>Section 4: Electrical</b>	<b>4-1</b>
Control Panel	4-1
Battery	4-3
<b>Section 5: Options</b>	<b>5-1</b>
TLHPD5000 - Single Power Drive	5-1
TLHPDD5000 - Dual Power Drive	5-3
TL109-100-355 - Dual Power Drive Bracket	5-5
TLNWLKLED - LED Night Light Kit	5-7
TLNWLK - Halogen Night Light Kit	5-9
TLRSSKX2HD(E) - Remote Control Kits	5-11

TLMPO-6000 - Bale Dispatch Arm .....	5-13
TLGS - Laser Guidance System .....	5-15
TLPSSK - Plastic Sensor Shutdown Kit .....	5-17
TLPSSKW - Plastic Sensor Shutdown Kit .....	5-19
TLTWKOFF - Offset Twin Wrap Kit .....	5-21
TLRF - Suspension Axle .....	5-23
<b>Section 6: Decals</b>	<b>6-1</b>
Safety Decals .....	6-1
Model Decals .....	6-3
<b>Imperial Torque Value Chart</b>	<b>7-1</b>
<b>Metric Torque Value Chart</b>	<b>8-1</b>

# Section 1: Basic Parts



# Hoop

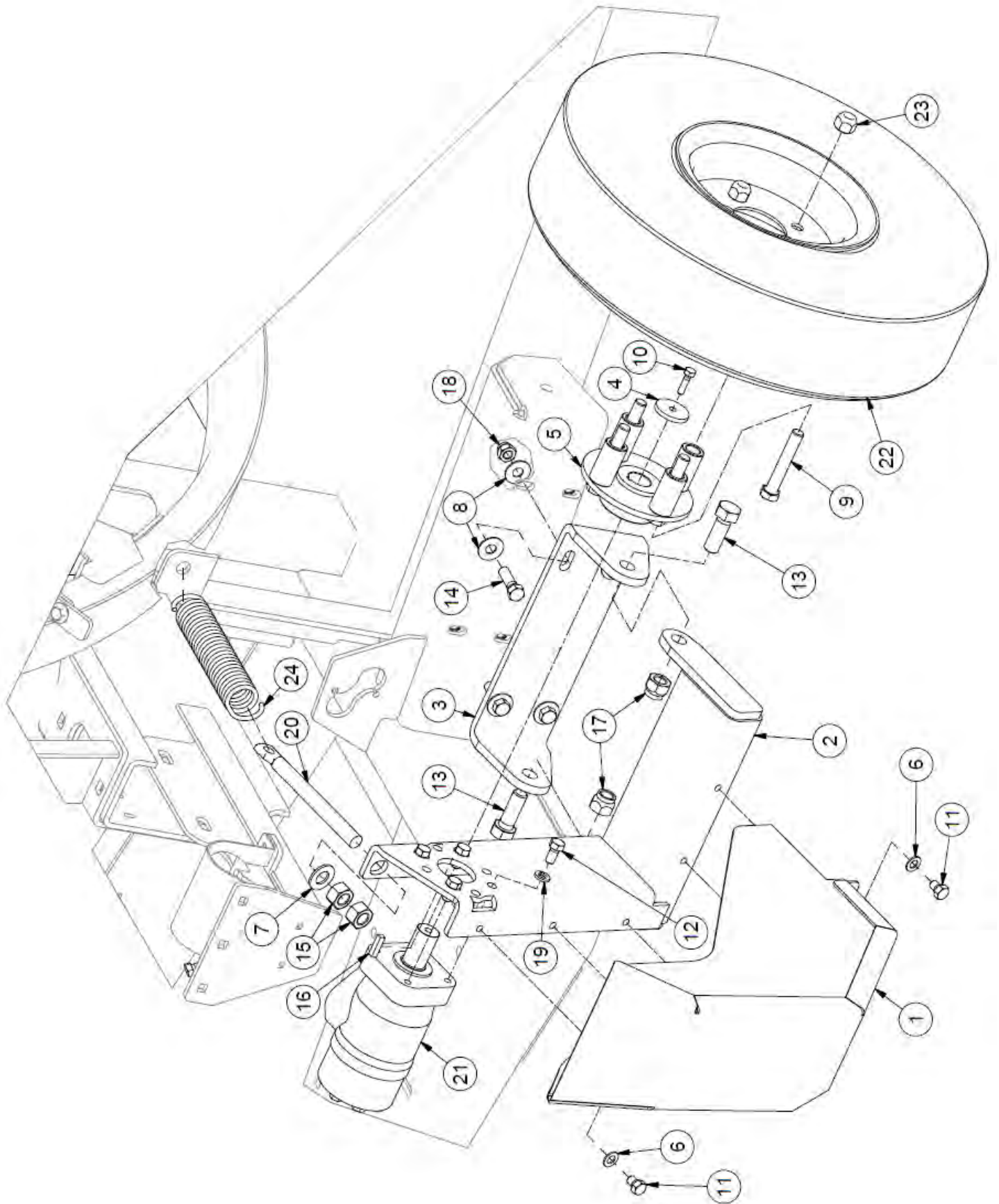


## Hoop

ITEM	QTY	PART NUMBER	DESCRIPTION
1	1	44258	Large 5000 Inner Hoop
2	1	44265	Large 5000 Outer Hoop
3	4	FW 3/4	Flatwasher - 3/4" Zinc Plated USS
4	8	GR 1/4 X 28	Grease Fitting 1/4-28 Straight-Standard Zerk
5	2	HB 3/4-10X2.5 Z5	Hex Bolt 3/4-10x2 1/2 Grade 5 Zinc Plated Hex Cap Screw
6	2	HB 5/8-11X2 Z5	Hex Bolt 5/8-11x2 Grade 5 Zinc Plated Hex Cap Screw
7	2	HN 3/4	Hex Nut 3/4"-10 Grade 5 Zinc Plated Finished
8	8	LN 1/2 N	LN 1/2-13 Zinc Plated Nylon Insert Lock Nut
9	2	LN 5/8 N	LN 5/8-11 Zinc Plated Nylon Insert Lock Nut
10	8	TL500-100-015	Hoop Wheel Axle Bolt
11	8	TL550-200-016	Spanner
12	8	TLWHEEL01	Hoop Wheel



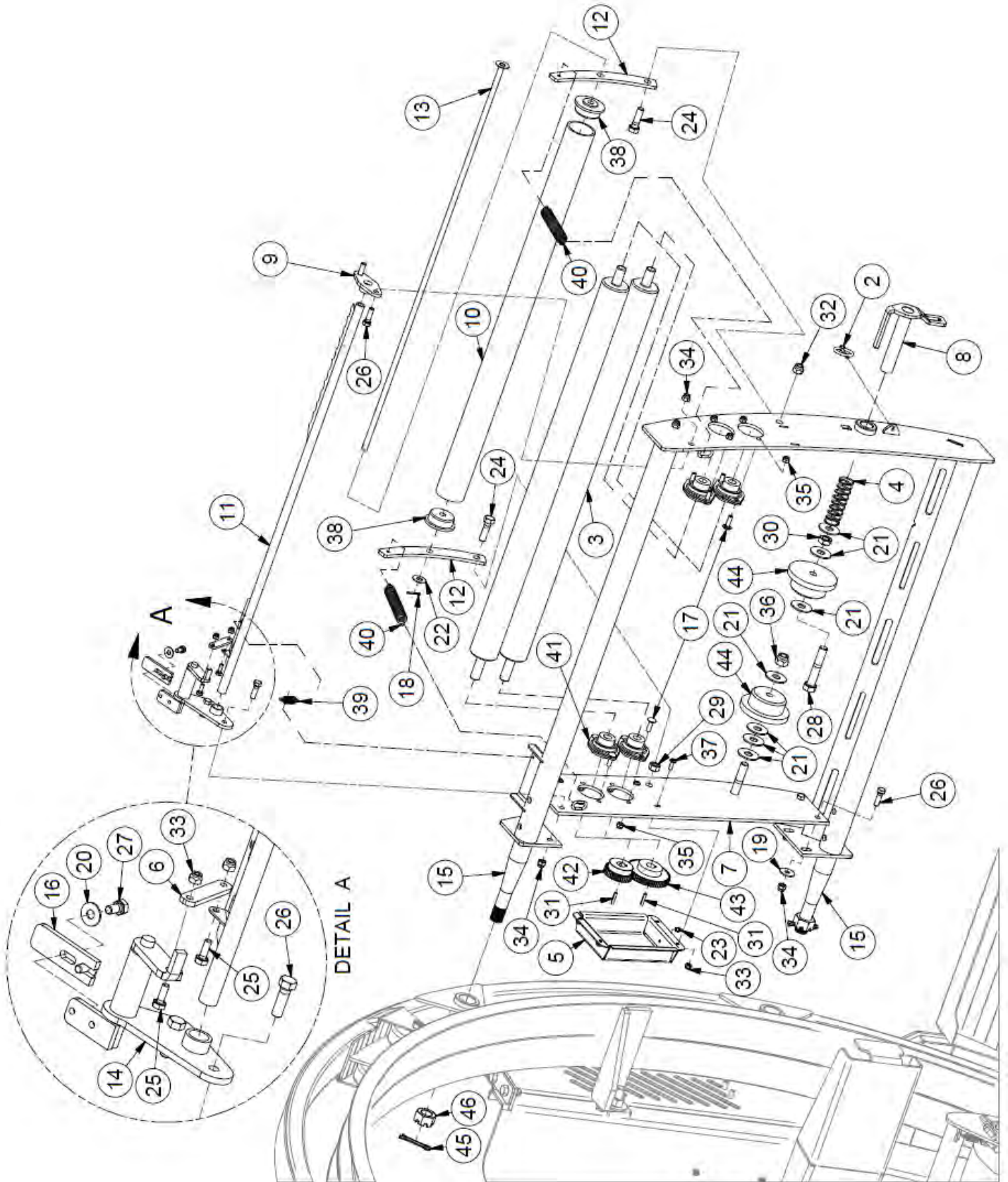
# Hoop Drive



## Hoop Drive

ITEM	QTY	PART NUMBER	DESCRIPTION	NOTE
1	1	41378	Hoop Wheel Guard	
2	1	44238	Hoop Motor Mount	
3	1	44239	Hoop Wheel Base	
4	1	44240	Hoop Motor Plate	
5	1	44241	Hoop Drive Wheel Hub	
6	5	FW 3/8	Flatwasher - 3/8" Zinc Plated USS	
7	1	FW 5/8	Flatwasher - 5/8" Zinc Plated USS	
8	8	FW 7/16	Flatwasher - 7/16" Zinc Plated USS	
9	4	HB 1/2-20 X3 YZ8	Hex Bolt 1/2-20x3 Grade 8 Zinc Hex Cap Screw	
10	1	HB 1/4-20X1 Z5	Hex Bolt 1/4-20x1 Grade 5 Zinc Plated Hex Cap Screw	
11	5	HB 3/8-16X0.5 Z5	Hex Bolt 3/8-16x1/2 Grade 5 Zinc Plated Hex Cap Screw	
12	4	HB 3/8-16X0.75 Z5	Hex Bolt 3/8-16x3/4 Grade 5 Zinc Plated Hex Cap Screw	
13	2	HB 5/8-11X1.75 Z5	Hex Bolt 5/8-11x1 3/4 Grade 5 Zinc Plated Hex Cap Screw	
14	4	HB 7/16-14X1.5 Z5	Hex Bolt 7/16-14x1 1/2 Grade 5 Zinc Plated Hex Cap Screw	
15	2	HN 5/8	Hex Nut 5/8"-11 Grade 5 Zinc Plated Finished	
16	1	KS40254	Keystock .25 x 1	
17	2	LN 5/8 N	LN 5/8-11 Zinc Plated Nylon Insert Lock Nut	
18	4	LN 7/16 N	LN 7/16-14 Zinc Plated Nylon Insert Lock Nut	
19	4	LW 3/8	LW - 3/8" Zinc Plated Medium Split	
20	1	PP00051	Flat Eye Bolt 5/8 X 7.0	
21	1	TL5X2-200-050	Hydraulic Motor	
22	1	TL500-100-052	Drive Wheel	5.70-8 Tire
23	4	TL500-100-054	Wheel Nut, 1/2"	
24	1	TL500-101-231	Wheel Tensioner Spring	

# Plastic Film Carrier

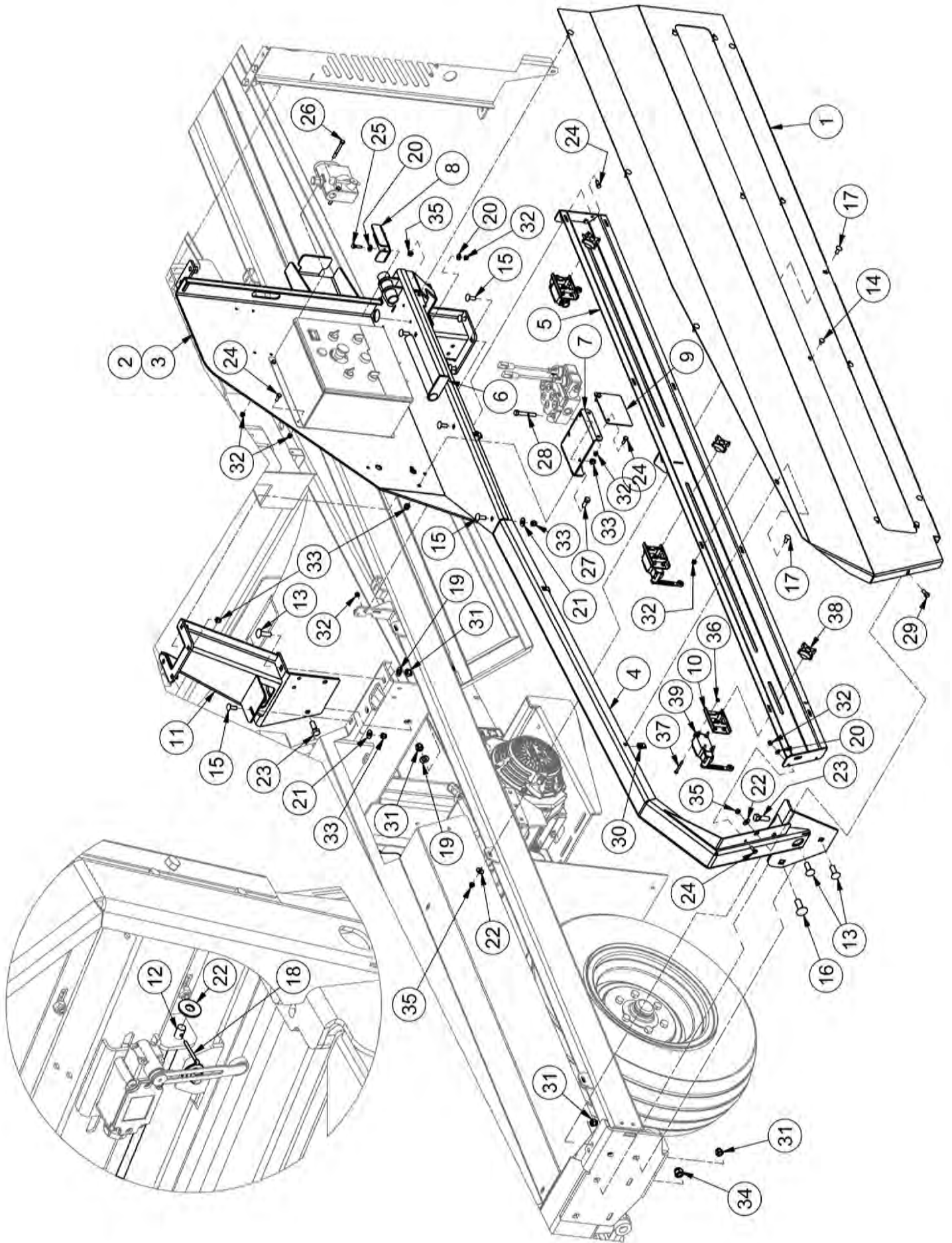


## Plastic Film Carrier

ITEM	QTY	PART NUMBER	DESCRIPTION	NOTE
1	2	44278	Offset Plastic Wrap Carrier	Items 2-44
2	1	25680	Linchpin 3/16 x 1.5"	
3	2	39916	Extended Tensioner Roller	
4	1	41888	Offset Tensioner Spring	
5	1	44284	Grease Box	
6	1	44285	Swivel Plate	
7	1	44286	Main Wrap Side Plate	
8	1	44287	Wrap Spool Slider Shaft	
9	1	44288	Pivot Support Bracket	
10	1	44289	Extended Plastic Roller	
11	1	44290	Wrap Cut	
12	2	44291	Plastic Roller Mount	
13	1	44292	Plastic Roller Pin	
14	1	44293	Wrap Cut Swivel Handle	
15	1	44294	Main Wrap Frame	
16	1	44400	Snap Adjuster Plate	
17	8	CB 5/16-18 X1 Z5	Carriage Bolt - 5/16-18 x 1" Grade 5 Zinc	
18	1	CP 18X1	Pin, Cotter 1/8 x 1.0	
19	2	FW 3/8	Flatwasher - 3/8" Zinc Plated USS	
20	2	FW 5/16	Flatwasher - 5/16" Zinc Plated USS	
21	7	FW 5/8	Flatwasher - 5/8" Zinc Plated USS	
22	1	FW 7/16	Flatwasher - 7/16" Zinc Plated USS	
23	2	GR 1/4 X 28	Grease Fitting 1/4-28 Strght-Standrd Zerk	
24	2	HB 1/2-13X1.75 Z5	Hex Bolt 1/2-13x1 3/4 Grade 5 Zinc Plated Hex Cap Screw	
25	2	HB 1/4-20X0.75 Z5	Hex Bolt 1/4-20x3/4 Grade 5 Zinc Plated Hex Cap Screw	
26	6	HB 3/8-16X1.25 Z5	Hex Bolt 3/8-16x1 1/4 Grade 5 Zinc Plated Hex Cap Screw	
27	2	HB 5/16-18X0.625 Z5	Hex Bolt 5/16-18x5/8 Grade 5 Zinc Plated Hex Cap Screw	
28	1	HB 5/8-11X3.5 Z5	Hex Bolt 5/8-11x3 1/2 Grade 5 Zinc Plated Hex Cap Screw	
29	2	HN 1/2	Hex Nut 1/2"-13 Grade 5 Zinc Plated Finished	
30	1	HN 5/8 JAM	Hex Nut - 5/8-11 Zinc Plated Hex Jam Nut	
31	2	KS44823	Keystock .188 X 1	
32	2	LN 1/2 N	LN 1/2-13 Zinc Plated Nylon Insert Lock Nut	
33	6	LN 1/4 N	LN 1/4-20 Zinc Plated Nylon Insert Lock Nut	
34	6	LN 3/8 N	LN 3/8-16 Zinc Plated Nylon Insert Lock Nut	
35	8	LN 5/16 N	LN 5/16-18 Zinc Plated Nylon Insert Lock Nut	
36	1	LN 5/8 N	LN 5/8-11 Zinc Plated Nylon Insert Lock Nut	
37	4	MS 1/4X20X0.75	Machine Screw - (Inch)	
38	2	TL500-100-021	HMWPVC - Plastic End Cap	
39	1	TL500-100-062	Extension Spring	
40	2	TL500-100-135	Spring - Tensioner	
41	4	TL550-100-007	Flange Bearing, 3/4" (2 Flanges & Bearing)	
42	1	TL550-100-008	Small Gear - 3/4 Bore, KW, SS, 14 1/2 deg, 2.25 P.D.	C/w 2 Set Screws
43	1	TL550-100-009	Large Gear - 3/4 Bore, KW, SS, 14 1/2 deg, 3.50 P.D.	C/w 2 Set Screws
44	2	TL550-200-012	Plastic Wrap Spool	
45	4	CP 1/4 x 2.0	Pin, Cotter - 1/4" x 2" Zinc Plated	
46	4	HN 1.0-14NFCastle	Hex Nut 1"-14 Slotted Plain Finish (NF Castle Nut Bare)	



# Left Hoop Brace

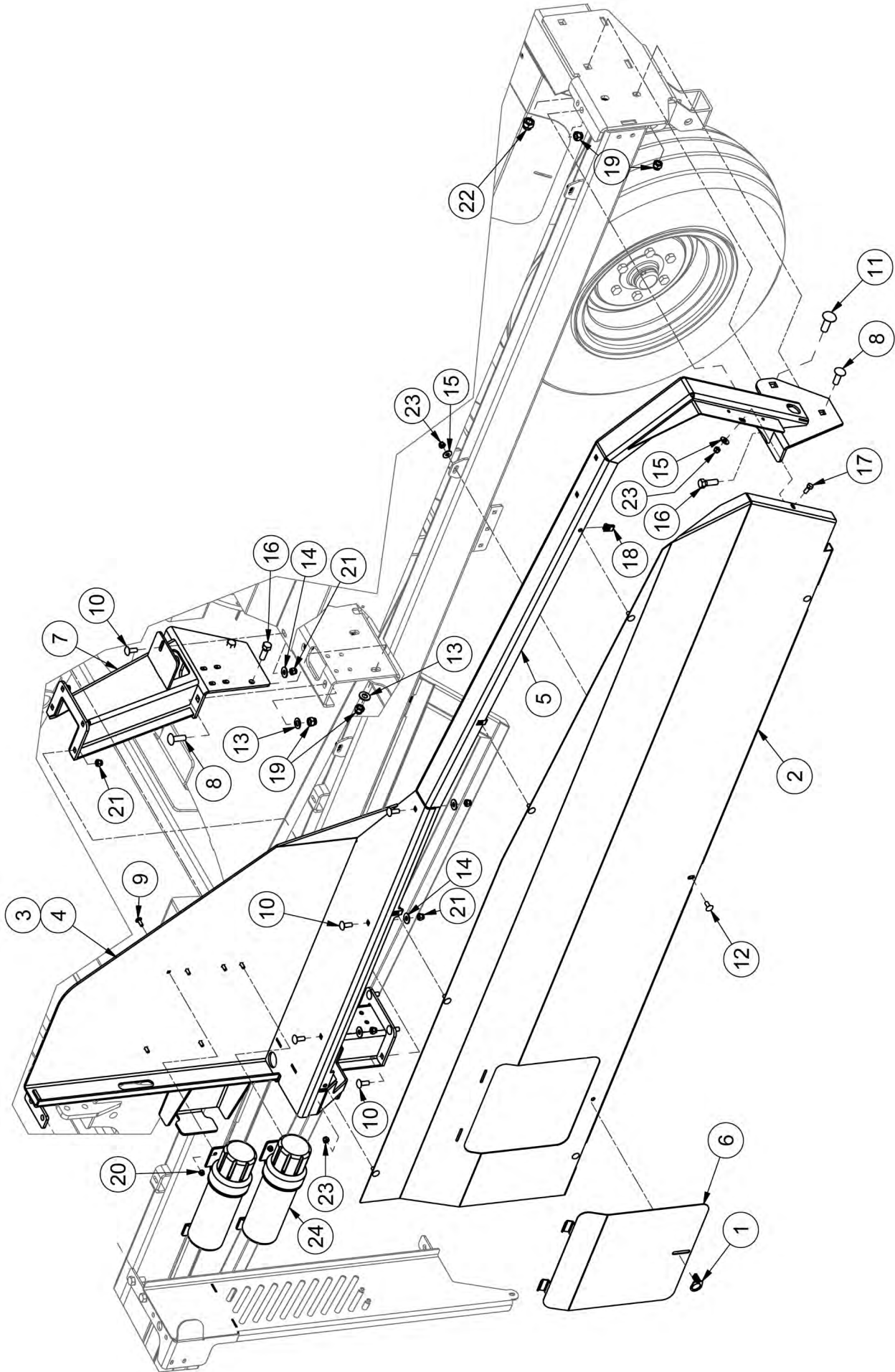


## Left Hoop Brace

ITEM	QTY	PART NUMBER	DESCRIPTION	NOTE
1	1	41669	Left Side Shield	
2	1	41670	Left Hoop Brace	Up to 1960L030
3	1	45696	Left Hoop Brace	2060L001-Current
4	1	45697	Left Hoop Brace Support	2060L001-Current
5	1	42490	Limit Switch Track	
6	1	43243	Hoop Lock Pin	
7	1	44224	Spool Valve Mount	
8	1	44227	Hoop Handle Lock	
9	1	44266	Decal Plate	
10	3	44355	Limit Switch Mount Bracket	
11	1	44597	Left Hoop Brace Post	
12	1	44826	LSV Cable Slider	
13	4	CB 1/2-13 X1.5 Z5	Carriage Bolt - 1/2-13 x 1 1/2" Grade 5 Zinc	
14	8	CB 1/4-20 X0.5 Z5	Carriage Bolt - 1/4-20 x 1/2" Grade 5 Zinc	
15	5	CB 3/8-16 X1 Z5	Carriage Bolt - 3/8-16 x 1" Grade 5 Zinc	
16	1	CB 5/8-11 X1.75 Z5	Carriage Bolt - 5/8-11 x 1 3/4" Grade 5 Zinc	
17	7	CB 5/16-18 X0.75 Z5	Carriage Bolt - 5/16-18 x 3/4" Grade 5 Zinc	
18	1	CP18X1	Pin, Cotter - 1/8" X 1.0"	
19	4	FW 1/2	Flatwasher - 1/2" Zinc Plated USS	
20	6	FW 1/4	Flatwasher - 1/4" Zinc Plated USS	
21	1	FW 3/8	Flatwasher - 3/8" Zinc Plated USS	
22	5	FW 5/16	Flatwasher - 5/16" Zinc Plated USS	
23	3	HB 1/2-13X1.5 Z5	Hex Bolt 1/2-13x1 1/2 Grade 5 Zinc Plated Hex Cap Screw	
24	8	HB 1/4-20X0.75 Z5	Hex Bolt 1/4-20x3/4 Grade 5 Zinc Plated Hex Cap Screw	
25	2	HB 1/4-20X1 Z5	Hex Bolt 1/4-20x1 Grade 5 Zinc Plated Hex Cap Screw	
26	2	HB 1/4-20X2.5 Z5	Hex Bolt 1/4-20x2 1/2 Grade 5 Zinc Plated Hex Cap Screw	
27	6	HB 3/8-16X1 Z5	Hex Bolt 3/8-16x1 Grade 5 Zinc Plated Hex Cap Screw	
28	2	HB 3/8-16X2.5 Z5	Hex Bolt 3/8-16x2 1/2 Grade 5 Zinc Plated Hex Cap Screw	
29	1	HB 5/16-18X0.75 Z5	Hex Bolt 5/16-18x3/4 Grade 5 Zinc Plated Hex Cap Screw	
30	3	HNP 5/16	Panel Nut - 5/16" U-Type Spring	
31	6	LN 1/2 N	LN 1/2-13 Zinc Plated Nylon Insert Lock Nut	
32	22	LN 1/4 N	LN 1/4-20 Zinc Plated Nylon Insert Lock Nut	
33	9	LN 3/8 N	LN 3/8-16 Zinc Plated Nylon Insert Lock Nut	
34	1	LN 5/8 N	LN 5/8-11 Zinc Plated Nylon Insert Lock Nut	
35	6	LN 5/16 N	LN 5/16-18 Zinc Plated Nylon Insert Lock Nut	
36	12	LN 10-24	K-Lok Locknut	
37	12	MS #10X24X1.75	Machine Screw - (Inch)	
38	3	TL599-100-104	Switch Adjuster Screw	
39	3	TL550-100-060	Limit Switch	



# Right Hoop Brace

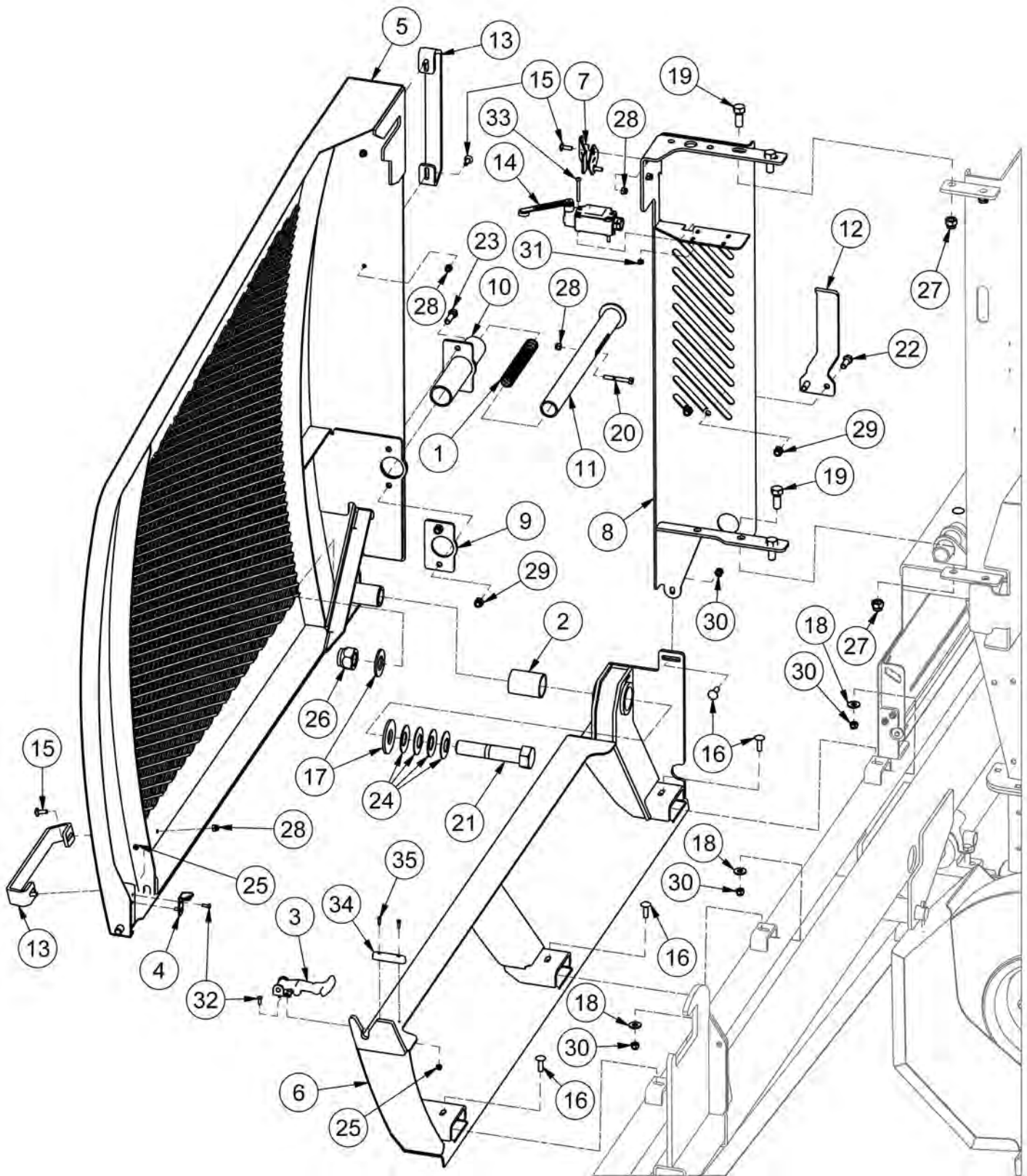




## Right Hoop Brace

ITEM	QTY	PART NUMBER	DESCRIPTION	NOTE
1	1	36268	Cam Lock	
2	1	42502	Right Side Shield	
3	1	42503	Right Hoop Brace	Up to 1960L030
4	1	45698	Right Hoop Brace	2060L001-Current
5	1	45699	Right Hoop Brace Support	2060L001-Current
6	1	42524	Oil Fill Cover	
7	1	44602	Right Hoop Brace Post	
8	4	CB 1/2-13 X1.5 Z5	Carriage Bolt - 1/2-13 x 1 1/2" Grade 5 Zinc	
9	6	CB 1/4-20 X0.75 Z5	Carriage Bolt - 1/4-20 x 3/4" Grade 5 Zinc	
10	8	CB 3/8-16 X1 Z5	Carriage Bolt - 3/8-16 x 1" Grade 5 Zinc	
11	1	CB 5/8-11 X1.75 Z5	Carriage Bolt - 5/8-11 x 1 3/4" Grade 5 Zinc	
12	7	CB 5/16-18 X0.75 Z5	Carriage Bolt - 5/16-18 x 3/4" Grade 5 Zinc	
13	4	FW 1/2	Flatwasher - 1/2" Zinc Plated USS	
14	4	FW 3/8	Flatwasher - 3/8" Zinc Plated USS	
15	3	FW 5/16	Flatwasher - 5/16" Zinc Plated USS	
16	2	HB 1/2-13X1.5 Z5	Hex Bolt 1/2-13x1 1/2 Grade 5 Zinc Plated Hex Cap Screw	
17	1	HB 5/16-18X0.75 Z5	Hex Bolt 5/16-18x3/4 Grade 5 Zinc Plated Hex Cap Screw	
18	3	HNP 5/16	Panel Nut - 5/16" U-Type Spring	
19	7	LN 1/2 N	LN 1/2-13 Zinc Plated Nylon Insert Lock Nut	
20	6	LN 1/4 N	LN 1/4-20 Zinc Plated Nylon Insert Lock Nut	
21	4	LN 3/8 N	LN 3/8-16 Zinc Plated Nylon Insert Lock Nut	
22	1	LN 5/8 N	LN 5/8-11 Zinc Plated Nylon Insert Lock Nut	
23	4	LN 5/16 N	LN 5/16-18 Zinc Plated Nylon Insert Lock Nut	
24	2	TL5X2-201-111	Operator's Manual Holder	

# Safety Guard

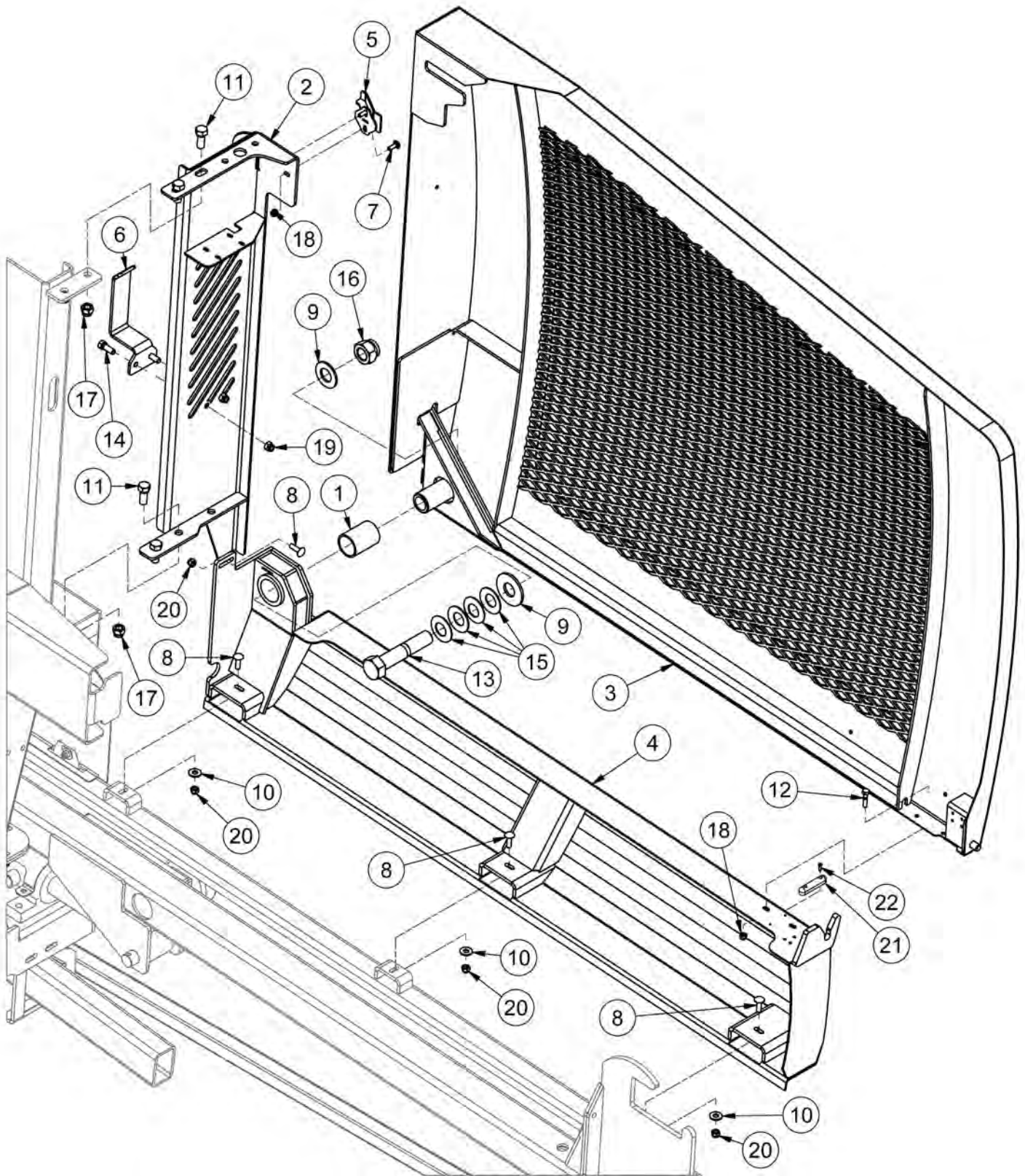


## Safety Guard

ITEM	QTY	PART NUMBER	DESCRIPTION
1	1	36900	Film Snap Spring
2	1	37845	Polygon 1.75 OD x1.52 ID x2.38 LG
3	1	38048	Battery Cover Hold Down
4	1	38343	Battery Latch
5	1	41685	Left Door
6	1	41692	Left Bottom Door Mount
7	1	43266	Door Hold
8	1	41678	Left Door Mount
9	1	43381	Pipe Support
10	1	43383	Wrap Cut Tube Support
11	1	44352	Cut Push Tube
12	1	44359	Single Tape Holder
13	2	44858	Door Handle
14	1	45920	Door Limit Switch
15	6	CB 1/4-20 X0.75 Z5	Carriage Bolt - 1/4-20 x 3/4" Grade 5 Zinc
16	4	CB 5/16-18 X1 Z5	Carriage Bolt - 5/16-18 x 1" Grade 5 Zinc
17	1	FW 1.0	Flatwasher - 1" Zinc Plated USS
18	3	FW 5/16	Flatwasher - 5/16" Zinc Plated USS
19	4	HB 1/2-13X1.25 Z5	Hex Bolt 1/2-13x1 1/4 Grade 5 Zinc Plated Hex Cap Screw
20	1	HB 1/4-20X2 Z5	Hex Bolt 1/4-20x2 Grade 5 Zinc Plated Hex Cap Screw
21	1	HB 1-8X5 Z5	Hex Bolt 1-8x5 Grade 5 Zinc Plated Hex Cap Screw
22	2	HB 3/8-16X1 Z5	Hex Bolt 3/8-16x1 Grade 5 Zinc Plated Hex Cap Screw
23	1	HB 3/8-16X1.25 Z5	Hex Bolt 3/8-16x1 1/4 Grade 5 Zinc Plated Hex Cap Screw
24	4	LA-BK-43	2" OD 1" ID H Steel Disc Spring Washer
25	5	LN #8 N	LN 3/16-32 Zinc Plated Nylon Insert Lock Nut
26	1	LN 1 N	LN 1-8 Zinc Plated Nylon Insert Lock Nut
27	4	LN 1/2 N	LN 1/2-13 Zinc Plated Nylon Insert Lock Nut
28	10	LN 1/4 N	LN 1/4-20 Zinc Plated Nylon Insert Lock Nut
29	4	LN 3/8 N	LN 3/8-16 Zinc Plated Nylon Insert Lock Nut
30	1	LN 5/16 N	LN 5/16-18 Zinc Plated Nylon Insert Lock Nut
31	4	LN 10-24	K-Lok Locknut
32	5	MS #8X32X0.5	Machine Screw - (Inch)
33	4	MS #10X24X1.75	Machine Screw - (Inch)
34	1	PP00685	Rubber Stop
35	2	PP-00686	Wood Screw,#6 x5/8" Roberts end



# Maintenance Guard

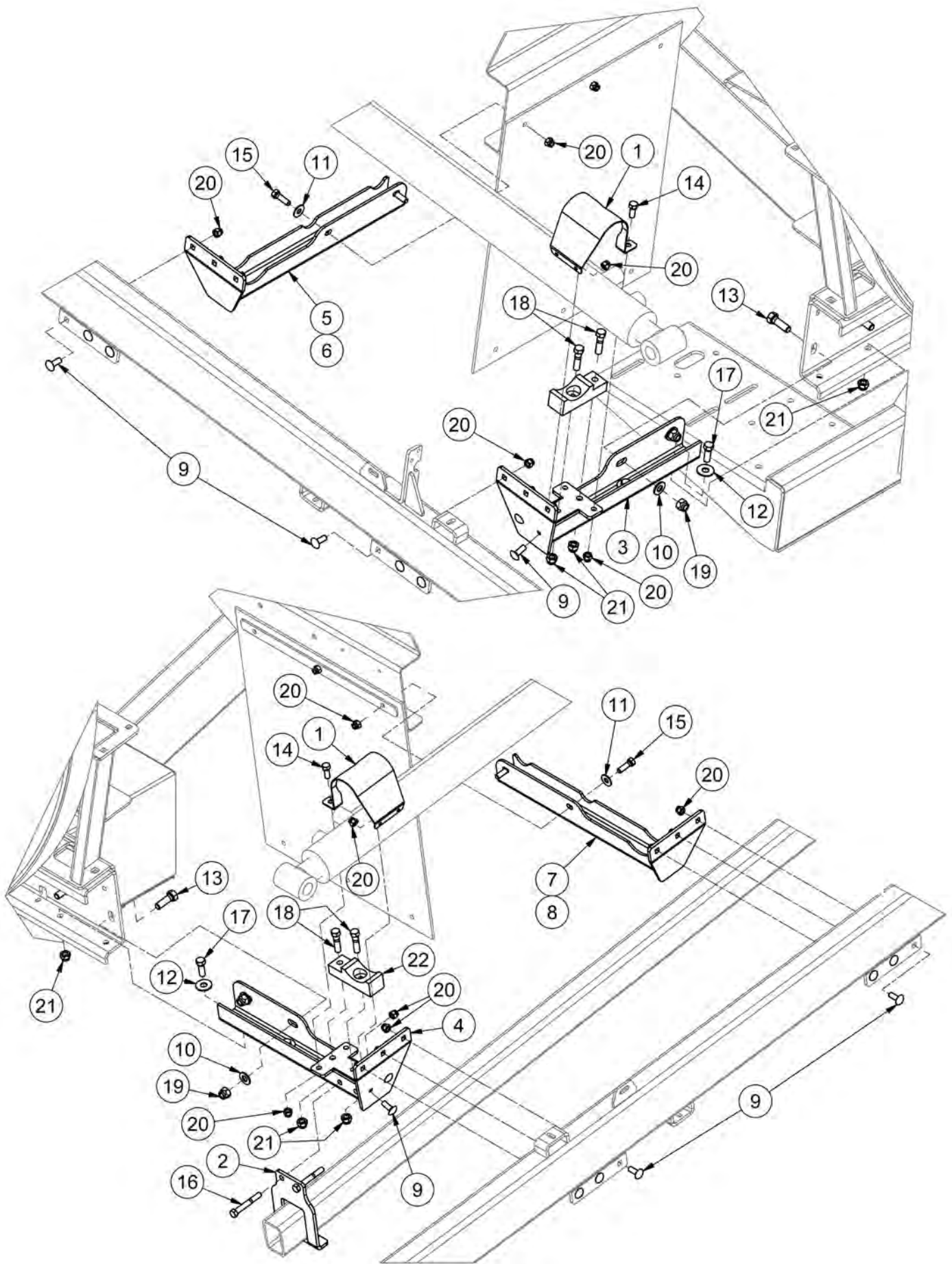


## Maintenance Guard

ITEM	QTY	PART NUMBER	DESCRIPTION
1	1	37845	Polygon 1.75 OD x1.52 ID x2.38 LG
2	1	42510	Right Door Mount
3	1	43250	Right Door
4	1	43259	Right Bottom Door Mount
5	1	43266	Door Hold
6	1	44359	Single Tape Holder
7	2	CB 1/4-20 X0.75 Z5	Carriage Bolt - 1/4-20 x 3/4" Grade 5 Zinc
8	4	CB 5/16-18 X1 Z5	Carriage Bolt - 5/16-18 x 1" Grade 5 Zinc
9	2	FW 1.0	Flatwasher - 1" Zinc Plated USS
10	3	FW 5/16	Flatwasher - 5/16" Zinc Plated USS
11	4	HB 1/2-13X1.25 Z5	Hex Bolt 1/2-13x1 1/4 Grade 5 Zinc Plated Hex Cap Screw
12	5	HB 1/4-20X1.25 Z5	Hex Bolt 1/4-20x1 1/4 Grade 5 Zinc Plated Hex Cap Screw
13	2	HB 1-8X5 Z5	Hex Bolt 1-8x5 Grade 5 Zinc Plated Hex Cap Screw
14	2	HB 3/8-16X1 Z5	Hex Bolt 3/8-16x1 Grade 5 Zinc Plated Hex Cap Screw
15	4	LA-BK-43	2" OD 1" ID H Steel Disc Spring Washer
16	1	LN 1 N	LN 1-8 Zinc Plated Nylon Insert Lock Nut
17	4	LN 1/2 N	LN 1/2-13 Zinc Plated Nylon Insert Lock Nut
18	7	LN 1/4 N	LN 1/4-20 Zinc Plated Nylon Insert Lock Nut
19	2	LN 3/8 N	LN 3/8-16 Zinc Plated Nylon Insert Lock Nut
20	1	LN 5/16 N	LN 5/16-18 Zinc Plated Nylon Insert Lock Nut
21	1	PP00685	Rubber Stop
22	2	PP-00686	Wood Screw,#6 x5/8" Roberts end



# Cylinder Supports

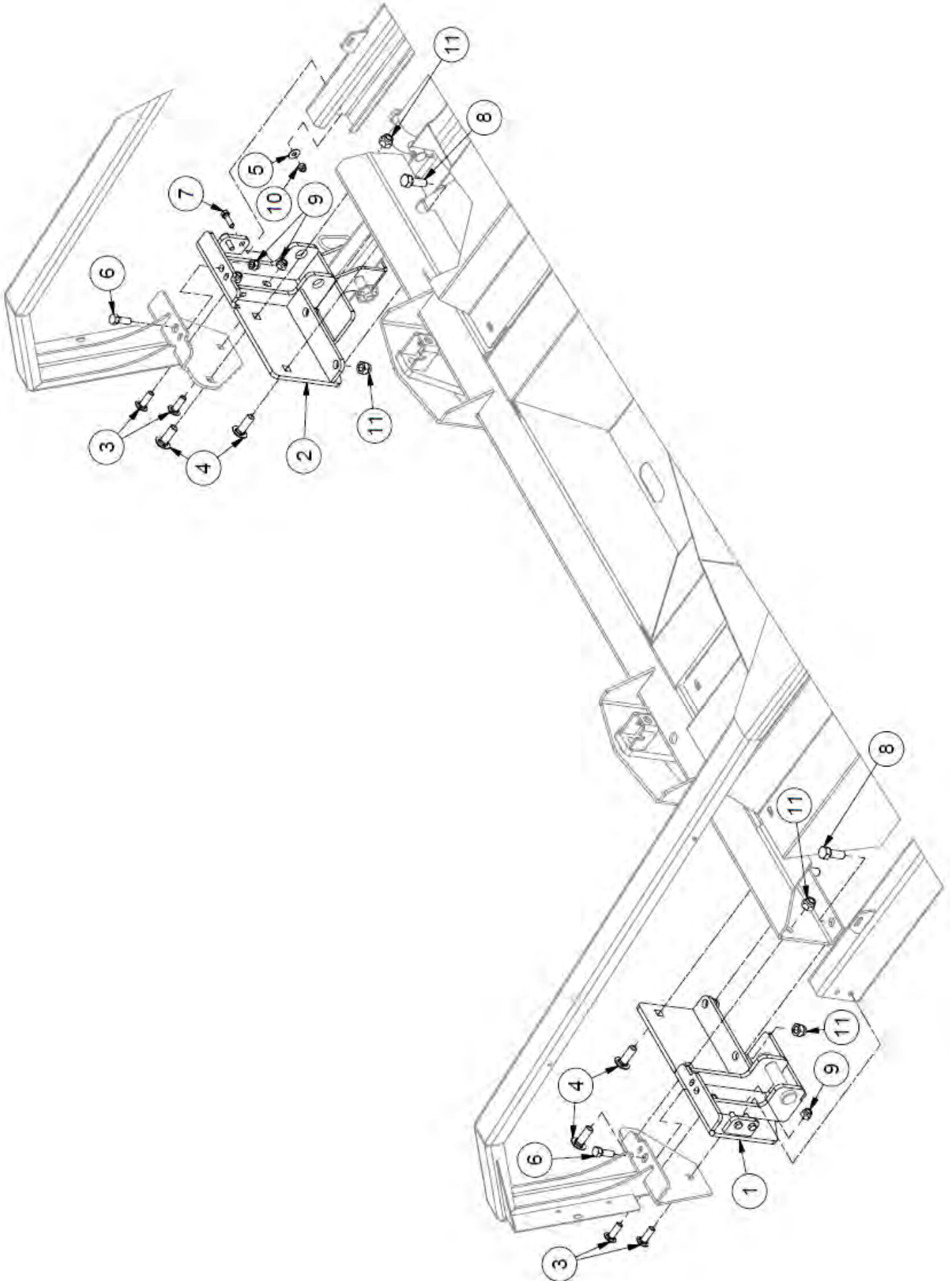


## Cylinder Supports

ITEM	QTY	PART NUMBER	DESCRIPTION	NOTE
1	2	44589	Cyl. Tie Down	
2	1	44592	Pushoff Tube Holder	
3	1	44606	Left Center Cyl. Support	
4	1	44610	Right Center Cyl. Support	Up to 1960L020
5	1	45494	Left Side Channel Support	1960L021-Current
6	1	44613	Left Side Channel Support	Up to 1960L020
7	1	45498	Right Side Channel Support	1960L021-Current
8	1	44612	Right Side Channel Support	
9	18	CB 3/8-16 X1 Z5	Carriage Bolt - 3/8-16 x 1" Grade 5 Zinc	
10	4	FW 1/2	Flatwasher - 1/2" Zinc Plated USS	
11	4	FW 3/8	Flatwasher - 3/8" Zinc Plated USS	
12	4	FW 7/16	Flatwasher - 7/16" Zinc Plated USS	
13	4	HB 1/2-13X1.5 Z5	Hex Bolt 1/2-13x1 1/2 Grade 5 Zinc Plated Hex Cap Screw	
14	4	HB 3/8-16X1 Z5	Hex Bolt 3/8-16x1 Grade 5 Zinc Plated Hex Cap Screw	
15	4	HB 3/8-16X1.25 Z5	Hex Bolt 3/8-16x1 1/4 Grade 5 Zinc Plated Hex Cap Screw	
16	2	HB 3/8-16X2.75 Z5	Hex Bolt 3/8-16x2 3/4 Grade 5 Zinc Plated Hex Cap Screw	
17	4	HB 7/16-14X1.25 Z5	Hex Bolt 7/16-14x1 1/4 Grade 5 Zinc Plated Hex Cap Screw	
18	4	HB 7/16-14X1.75 Z5	Hex Bolt 7/16-14x1 3/4 Grade 5 Zinc Plated Hex Cap Screw	
19	4	LN 1/2 N	LN 1/2-13 Zinc Plated Nylon Insert Lock Nut	
20	26	LN 3/8 N	LN 3/8-16 Zinc Plated Nylon Insert Lock Nut	
21	8	LN 7/16 N	LN 7/16-14 Zinc Plated Nylon Insert Lock Nut	
22	2	TL550-200-109	Cylinder Support	



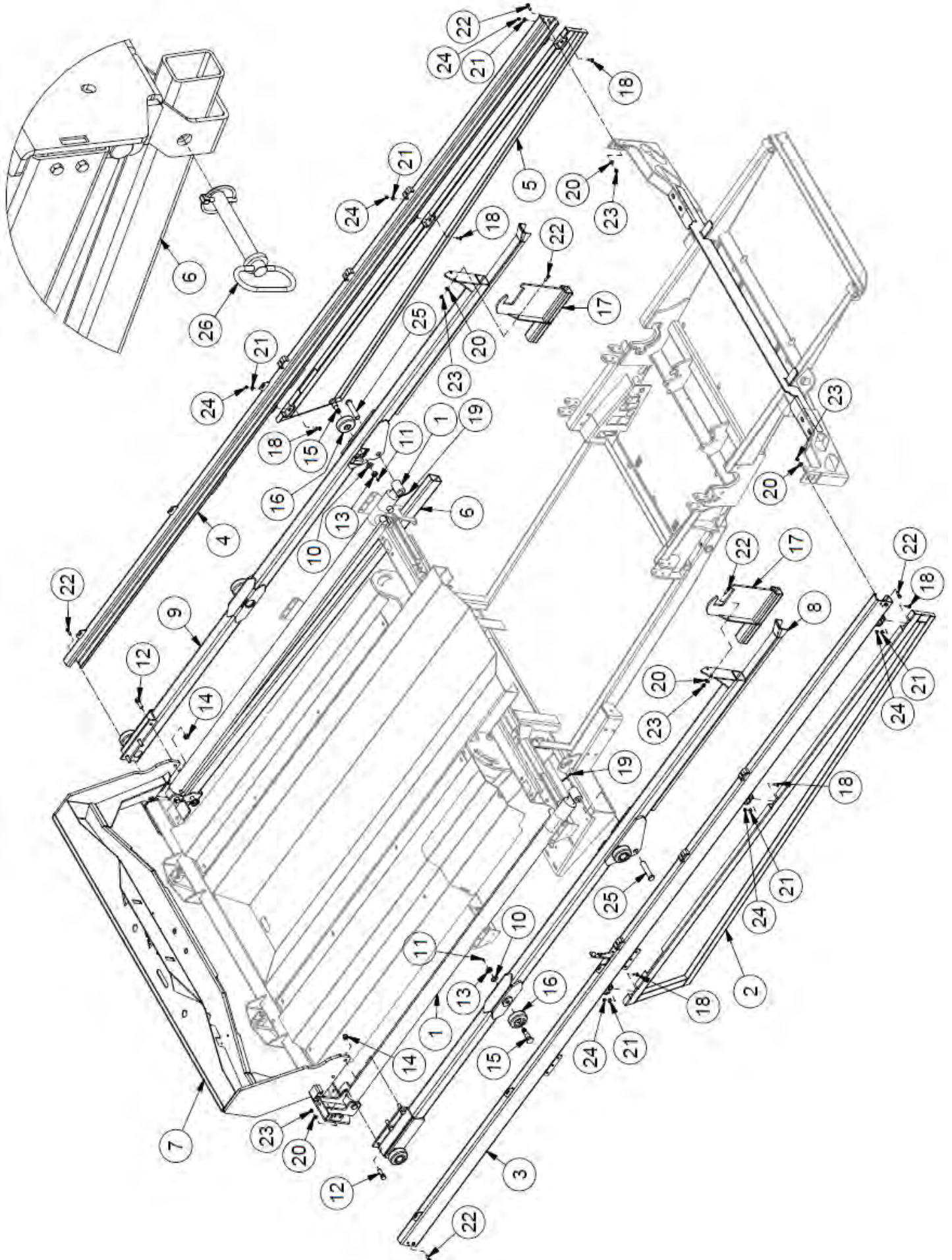
# Front Corners



## Front Corners

ITEM	QTY	PART NUMBER	DESCRIPTION
1	1	44567	Front Left Corner
2	1	44572	Front Right Corner
3	4	CB 1/2-13 X1.5 Z5	Carriage Bolt - 1/2-13 x 1 1/2" Grade 5 Zinc
4	4	CB 5/8-11 X1.75 Z5	Carriage Bolt - 5/8-11 x 1 3/4" Grade 5 Zinc
5	4	FW 3/8	Flatwasher - 3/8" Zinc Plated USS
6	2	HB 1/2-13X1.5 Z5	Hex Bolt 1/2-13x1 1/2 Grade 5 Zinc Plated Hex Cap Screw
7	4	HB 3/8-16X1.25 Z5	Hex Bolt 3/8-16x1 1/4 Grade 5 Zinc Plated Hex Cap Screw
8	4	HB 5/8-11X1.75 Z5	Hex Bolt 5/8-11x1 3/4 Grade 5 Zinc Plated Hex Cap Screw
9	6	LN 1/2 N	LN 1/2-13 Zinc Plated Nylon Insert Lock Nut
10	4	LN 3/8 N	LN 3/8-16 Zinc Plated Nylon Insert Lock Nut
11	8	LN 5/8 N	LN 5/8-11 Zinc Plated Nylon Insert Lock Nut

# Side Rails

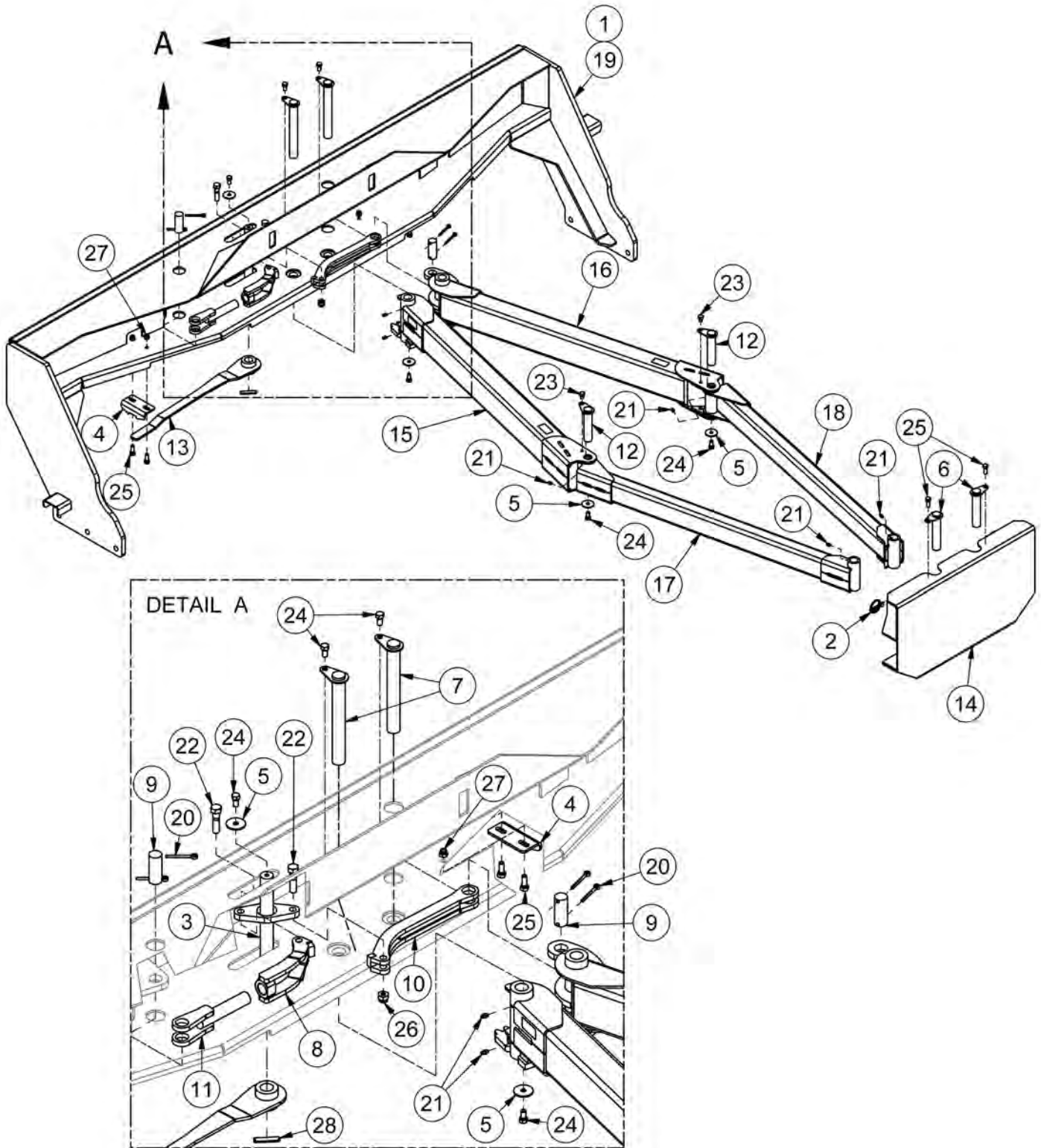


## Side Rails

ITEM	QTY	PART NUMBER	DESCRIPTION
1	2	40253	Ram Cylinder
2	1	41684	Back Left Side Shield
3	1	42494	Left Side Rail
4	1	43244	Right Side Rail
5	1	43258	Back Right Side Shield
6	1	44229	Pushoff Tube
7	1	44487	Ram
8	1	44488	Left Side Ram Tube
9	1	44489	Right side Ram Tube
10	6	FW 3/4	Flatwasher - 3/4" Zinc Plated USS
11	6	GR 1/4 X 28	Grease Fitting 1/4-28 Straight Standard Zerk
12	6	HB 5/8-18X2 Z5	Hex Bolt 5/8-18x2 Grade 5 Zinc Plated Hex Cap Screw
13	6	HN 3/4 JAM	Hex Nut - 3/4-16 Zinc Plated Hex Jam Nut
14	6	LN 5/8 F	Center Locknuts (5/8-18) 2-Way Fine Thread
15	6	TL5X2-301-156	Ram Wheel Axle
16	6	TLWHEEL0205	Ram Rail Wheel
17	2	44593	Pushoff
18	6	CB 5/16-18 X1 Z5	Carriage Bolt - 5/16-18 x 1" Grade 5 Zinc
19	4	CP 3/16 X 2.0	3-16 x 2.25 Cotter Pin, Brass
20	12	FW 3/8	Flatwasher - 3/8" Zinc Plated USS
21	6	FW 5/16	Flatwasher - 5/16" Zinc Plated USS
22	12	HB 3/8-16X1.25 Z5	Hex Bolt 3/8-16x1 1/4 Grade 5 Zinc Plated Hex Cap Screw
23	12	LN 3/8 N	LN 3/8-16 Zinc Plated Nylon Insert Lock Nut
24	6	LN 5/16 N	LN 5/16-18 Zinc Plated Nylon Insert Lock Nut
25	4	TL550-100-042	Cylinder Pin
26	1	TL550-100-050	Pushoff Tube Pin



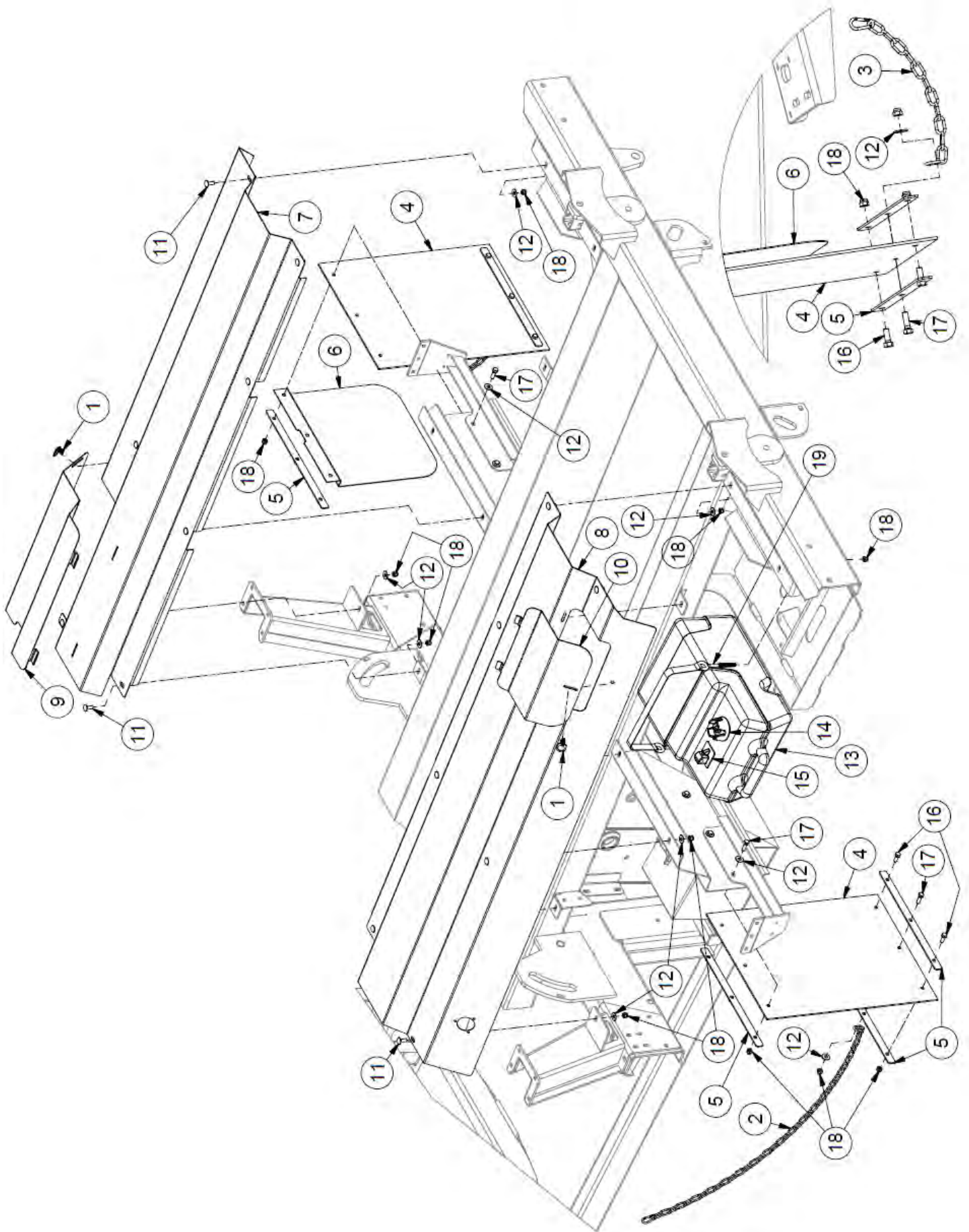
# Front Pushoff



## Front Pushoff

ITEM	QTY	PART NUMBER	DESCRIPTION	NOTE
1	1	46759	Front Ram Assembly	Incl. all Items
2	2	28940	Lynch Pin - 3/8 X 1-3/4"	
3	1	44102	Linkage Pivot	
4	2	44103	Handle Holder	
5	5	44104	Pin Washer	
6	2	44105	Last Pushoff Plate Pin	
7	2	44106	Pushoff Middle Pin	
8	1	44107	Pivot Adjuster	
9	2	44109	Ram Linkage Mount Pin	
10	1	44110	Solid Pivot Arm	
11	1	44114	Linkage Adjuster	
12	2	44480	Last Pushoff Arm Pin	
13	1	44481	Last Pushoff Handle	
14	1	44482	Push Plate	
15	1	44483	Left Front Arm	
16	1	44484	Right Front Arm	
17	1	44485	Left Short Arm	
18	1	44486	Right Short Arm	
19	1	44487	TL60 Ram	
20	4	CP 3/16 X 2	3-16 x 2.25 Cotter Pin, Brass	
21	14	GR 1/4 X 28	Grease Fitting 1/4-28 Straight-Standard Zerk	
22	2	HB1/2-13X2Z5	Hex Bolt 1/2-13x2 Grade 5 Zinc Plated Hex Cap Screw	
23	2	HB3/8-16X0.5Z5	Hex Bolt 3/8-16x1/2 Grade 5 Zinc Plated Hex Cap Screw	
24	7	HB3/8-16X0.75Z5	Hex Bolt 3/8-16x3/4 Grade 5 Zinc Plated Hex Cap Screw	
25	6	HB3/8-16X1Z5	Hex Bolt 3/8-16x1 Grade 5 Zinc Plated Hex Cap Screw	
26	2	LN1/2-13NCZ5	LN 1/2-13 Zinc Plated Nylon Insert Lock Nut	
27	6	LN3/8-16NCZ5	LN 3/8-16 Zinc Plated Nylon Insert Lock Nut	
28	1	RP 3/8 x 2	Pin - Roll Pin 3/8 x 2	

# Bale Deck

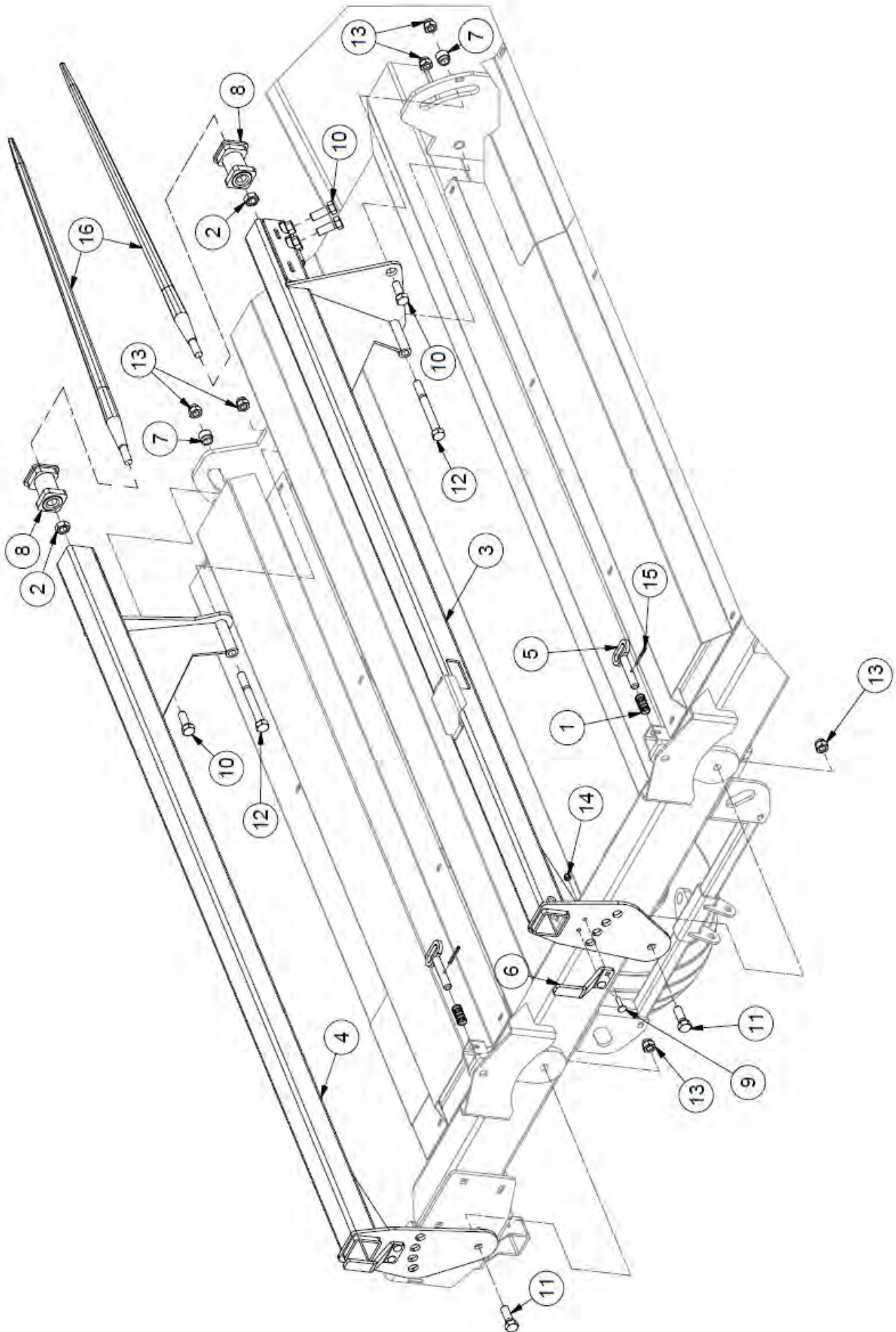




## Bale Deck

ITEM	QTY	PART NUMBER	DESCRIPTION
1	3	36268	Camlock
2	1	40958	Right Mud Flap Chain
3	1	40959	Right Mud Flap Chain
4	2	44231	Mud Flap
5	5	44232	Mud Flap Bracket
6	1	44234	Mud Flap Shield
7	1	44575	Left Fender
8	1	44586	Right Fender
9	1	44587	Engine Cover
10	1	44588	Gas Fill Lid
11	14	CB 3/8-16 X1 Z5	Carriage Bolt - 3/8-16 x 1" Grade 5 Zinc
12	22	FW 3/8	Flatwasher - 3/8" Zinc Plated USS
13	1	TL550-204-100	Fuel Tank
14	1	TL550-204-101	Vented Cap for Fuel Tank
15	1	TL550-204-103	Fuel Gauge - Bale Wrapper
16	4	HB 3/8-16X1 Z5	Hex Bolt 3/8-16x1 Grade 5 Zinc Plated Hex Cap Screw
17	8	HB 3/8-16X1.25 Z5	Hex Bolt 3/8-16x1 1/4 Grade 5 Zinc Plated Hex Cap Screw
18	35	LN 3/8 N	LN 3/8-16 Zinc Plated Nylon Insert Lock Nut
19	1	TL550-204-110	Tie Down Strap (Fuel Tank)

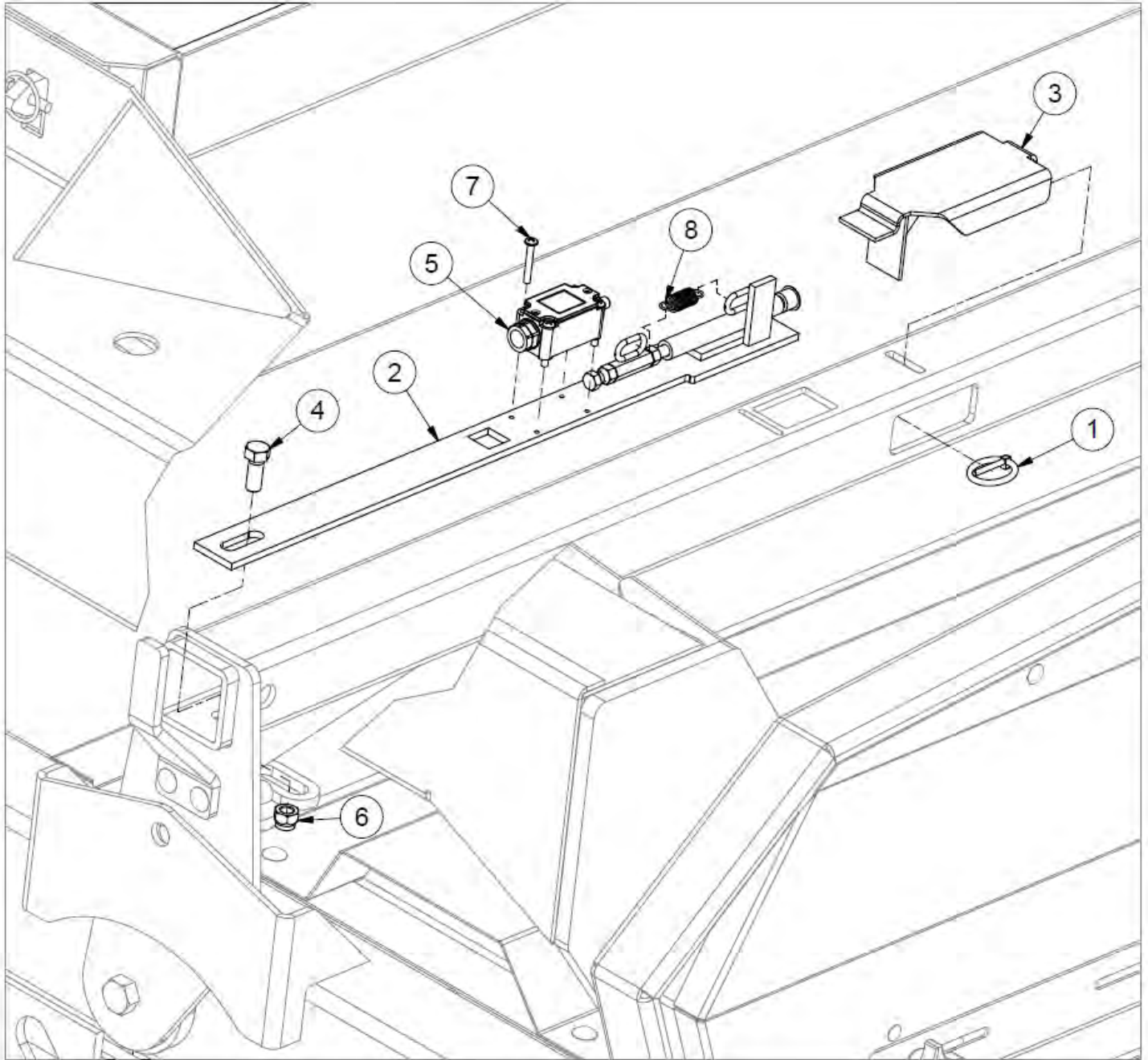
# Bale Saddles



## Bale Saddles

ITEM	QTY	PART NUMBER	DESCRIPTION
1	3	27566	Last Pushoff Spring Pin
2	2	39510	Conus I Nut
3	1	44551	Left Bale Saddle
4	1	44560	Right Bale Saddle
5	3	44563	Bed Lock Handle
6	2	44566	Handle
7	2	44591	Bolt Bushing
8	2	44619	Spear Sprocket
9	4	CB 3/8-16 X1.5 Z5	Carriage Bolt - 3/8-16 x 1 1/2" Grade 5 Zinc
10	6	HB 3/4-10X2 Z5	Hex Bolt 3/4-10x2 Grade 5 Zinc Plated Hex Cap Screw
11	2	HB 3/4-10X2.25 Z5	Hex Bolt 3/4-10x2 1/4 Grade 5 Zinc Plated Hex Cap Screw
12	2	HB 3/4-10X7 Z5	Hex Bolt 3/4-10x7 Grade 5 Zinc Plated Hex Cap Screw
13	6	LN 3/4 N	LN 3/4-10 Zinc Plated Nylon Insert Lock Nut
14	4	LN 3/8 N	LN 3/8-16 Zinc Plated Nylon Insert Lock Nut
15	2	RP 1/4 x 2 1/4	Pin - Roll Pin 1/4 x 2 1/4
16	2	TL5X2-301-144	Bale Spear (43" Tine Conus 1)

# Table Trigger



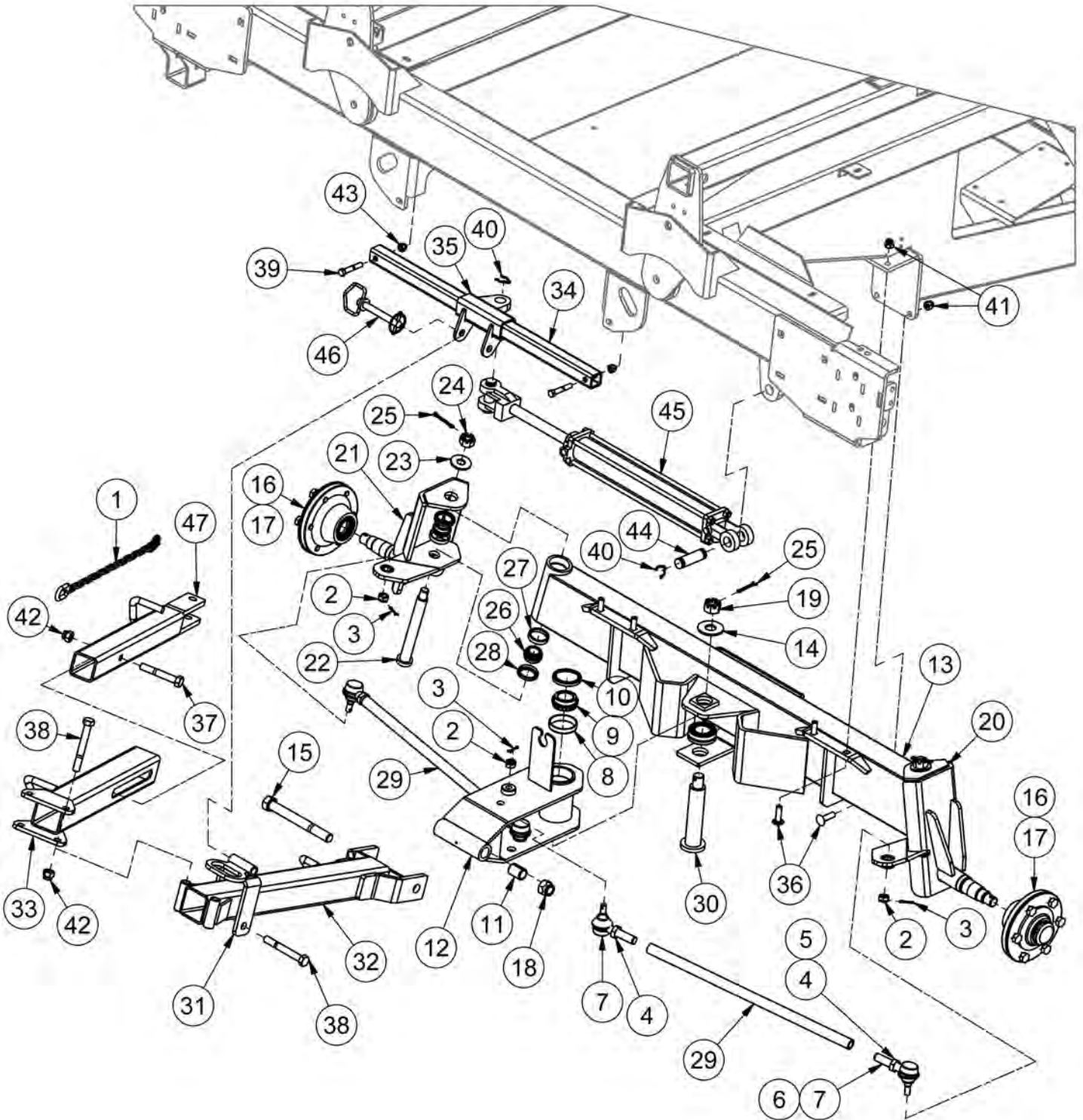


## Table Trigger

ITEM	QTY	PART NUMBER	DESCRIPTION
1	1	25680	Lynch Pin 3/16 X 1.5
2	1	44576	Trigger Switch
3	1	44582	Bale Trigger
4	1	HB 1/2-13X1.25 Z5	Hex Bolt 1/2-13x1 1/4 Grade 5 Zinc Plated Hex Cap Screw
5	1	TL5X2-100-221	Switch
6	1	LN 1/2 N	LN 1/2-13 Zinc Plated Nylon Insert Lock Nut
7	4	MS #12X24X1.5	Machine Screw - (Inch)
8	1	TL500-100-062	Extension Spring (Trigger)

# Steering

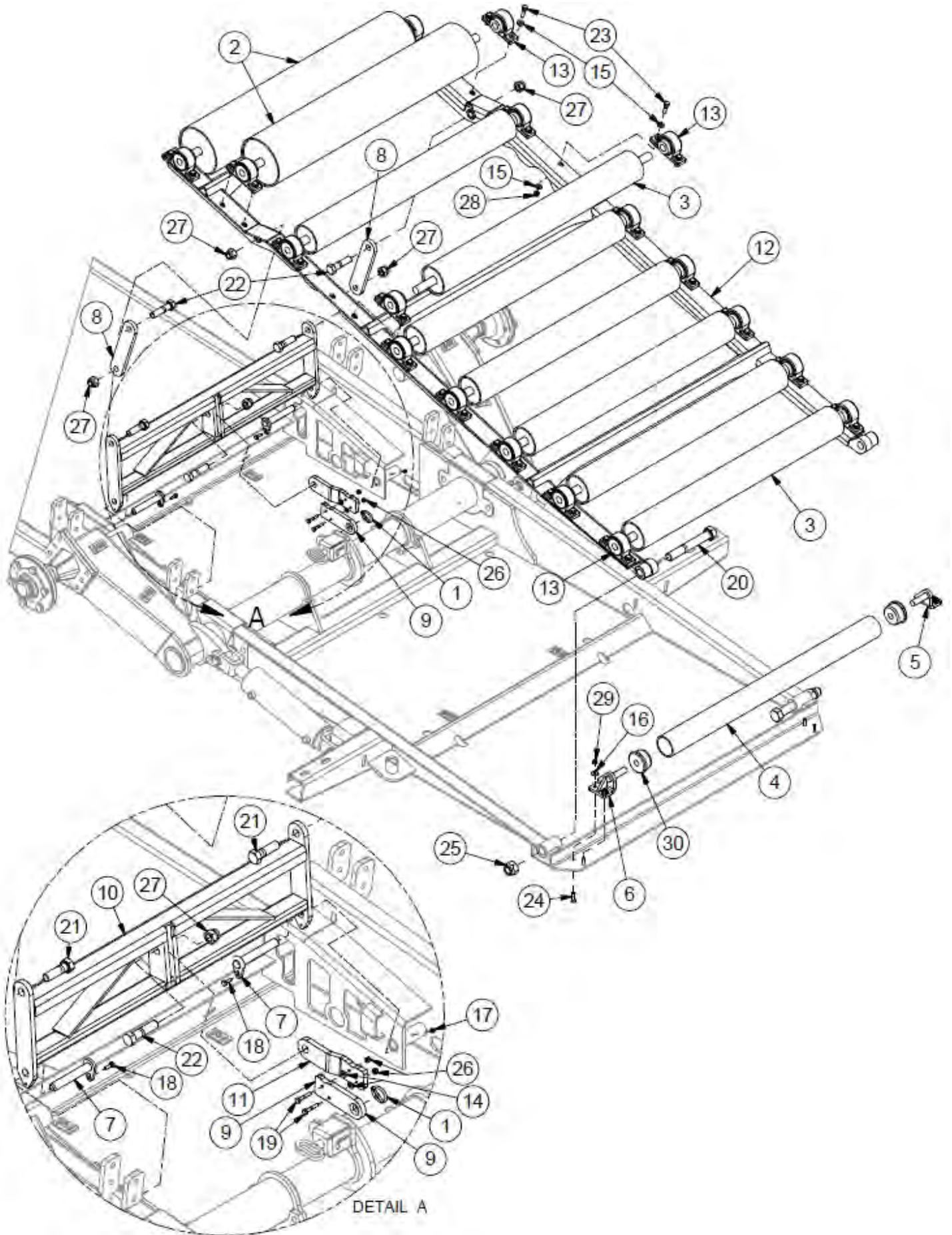
**NOTE:** Tie rods require both a left and right hand thread.



## Steering

ITEM	QTY	PART NUMBER	DESCRIPTION	NOTE
1	1	25261	Safety Chain 10000 # 59"	
2	1	TL550-111-004	Hex Nut, Slotted 9/16" NF	
3	1	TL550-111-005	Cotter Pin, 1/8 x 1	
4	2	TL550-111-002	Jam Nut, 3/4 (NF LH)	Check thread direction before ordering.
5	2	TL550-111-003	Jam Nut, 3/4 (NF RH)	
6	2	TL550-111-007	Tie Rod End Left Thread	
7	2	TL550-111-006	Tie Rod End Right Thread	
8	2	TL550-111-009	Tongue Bracket Timkin Cup	
9	2	TL550-111-010	Tongue Bracket Timkin Cone	
10	2	TL550-111-011	Tongue Bracket Seal	
11	2	TL550-111-012	Tongue Bracket Bushing	
12	1	TL550-221-008	Tongue Bracket	
13	1	41971	Front Axle Weldment	
14	1	FW 1.0	Flatwasher - 1" Zinc Plated USS	
15	1	HB7/8-9X8Z5	Hex Bolt 7/8-9x8 Grade 5 Zinc Plated Hex Cap Screw	
16	2	HUB 4000#	Complete Assembly HUB4000	Incl. Item 17
17	1	HUB 4000-CCS	Complete Bearing and Seals for Hub 4000	
18	1	LN7/8-9NCZ5	LN 7/8-9 Zinc Plated Nylon Insert Lock Nut	
19	1	TL500-100-070	Hex Nut, Slotted 1"	
20	1	TL550-100-083	Front Left Spindle Assembly	
21	1	TL550-100-084	Front Right Spindle Assembly	
22	2	TL550-100-085	Spindle Pin	
23	2	TL550-111-014	Flat Washer, 13/16	
24	2	TL550-111-015-06	Slotted Hex Nut 3/4	
25	3	TL550-111-016	Cotter Pin, 3/16 x 2	
26	4	TL550-200-080	Spindle Bearing Timkin Cone	
27	4	TL550-200-081	Spindle Bearing Timkin Cup	
28	4	TL550-200-082	Spindle Bearing Seal	
29	2	TL550-220-001	Tie Rod	
30	1	TL550-221-013	Tongue Bracket Pin	
31	1	44170	Tongue Holder	
32	1	44176	Upper Tongue Assembly	
33	1	44179	Tongue Swinging End	
34	1	44546	Steering Tube	
35	1	44547	Steering Cylinder Mount	
36	8	CB1/2-13X1.75CZ5	Carriage Bolt - 1/2-13 x 1 3/4" Grade 5 Zinc	
37	1	HB 5/8-11X4 Z5	Hex Bolt 5/8-11x4 Grade 5 Zinc Plated Hex Cap Screw	
38	2	HB5/8-11X5Z5	Hex Bolt 5/8-11x5 Grade 5 Zinc Plated Hex Cap Screw	
39	2	HB7/16-14X2.5Z5	Hex Bolt 7/16-14x2 1/2 Grade 5 Zinc Plated Hex Cap Screw	
40	4	HP 5/32 X 3.0	Pin Hair - #9 9Ga 3-1/16" OAL Zinc Plated	
41	54	LN1/2-13NCZ5	LN 1/2-13 Zinc Plated Nylon Insert Lock Nut	
42	15	LN5/8-11NCZ5	LN 5/8-11 Zinc Plated Nylon Insert Lock Nut	
43	14	LN7/16-14NCZ5	LN 7/16-14 Zinc Plated Nylon Insert Lock Nut	
44	2	TL5X2-500-116	Cylinder Pin	
45	1	TL500-100-103	2 X 16 Hydraulic Cylinder	
46	1	TL500-100-154	Tongue Pin	
47	1	TL550-100-053	Sliding Tongue	

# Roller Bed

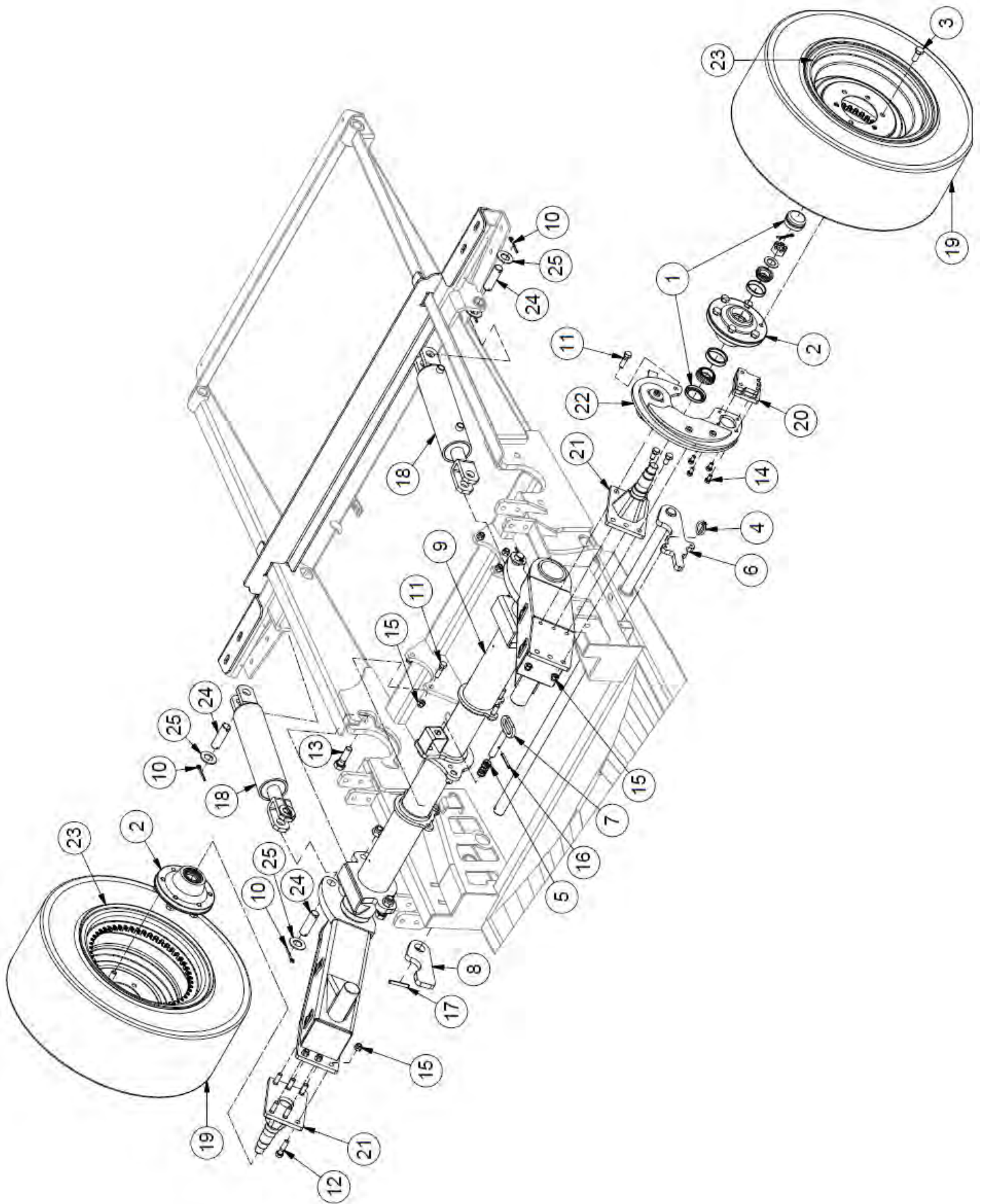




## Roller Bed

ITEM	QTY	PART NUMBER	DESCRIPTION
1	3	25680	Lynch Pin 3/16 X 1.5
2	2	44181	6 5/8" Roller
3	7	44186	4" Roller
4	1	44193	Roller
5	1	44198	Right Rear Small Roller Mount
6	1	44200	Left Rear Small Roller Mount
7	2	44650	Bed Pivot Pin
8	2	44653	Linkage
9	1	44654	Bed Linkage
10	1	44655	Roller Bed Pivot Frame
11	1	44661	Bed Linkage
12	1	44666	Roller Bed
13	18	BEA P205-16-1	Pillow Block Bearing 1"- BEA SBP205-16-1
14	2	FW 1/4	Flatwasher - 1/4" Zinc Plated USS
15	72	FW 3/8	Flatwasher - 3/8" Zinc Plated USS
16	4	FW 5/16	Flatwasher - 5/16" Zinc Plated USS
17	2	GR 1/4 X 28	Grease Fitting 1/4-28 Strght-Standrd Zerk
18	6	HB 1/4-20X0.75 Z5	Hex Bolt 1/4-20x3/4 Grade 5 Zinc Plated Hex Cap Screw
19	2	HB 1/4-20X1.5 Z5	Hex Bolt 1/4-20x1 1/2 Grade 5 Zinc Plated Hex Cap Screw
20	2	HB 1-8X7 Z5	Hex Bolt 1-8x7 Grade 5 Zinc Plated Hex Cap Screw
21	2	HB 3/4-10X2.5 Z5	Hex Bolt 3/4-10x2 1/2 Grade 5 Zinc Plated Hex Cap Screw
22	3	HB 3/4-10X3 Z5	Hex Bolt 3/4-10x3 Grade 5 Zinc Plated Hex Cap Screw
23	8	HB 3/8-16X1.5 Z5	Hex Bolt 3/8-16x1 1/2 Grade 5 Zinc Plated Hex Cap Screw
24	4	HB 5/16-18X1.25 FHSCS	Hex Bolt - 5/16"-18 x 1 1/4" Flat Socket Cap Screw
25	2	LN 1 N	LN 1-8 Zinc Plated Nylon Insert Lock Nut
26	2	LN 1/4 N	LN 1/4-20 Zinc Plated Nylon Insert Lock Nut
27	5	LN 3/4 N	LN 3/4-10 Zinc Plated Nylon Insert Lock Nut
28	36	LN 3/8 N	LN 3/8-16 Zinc Plated Nylon Insert Lock Nut
29	4	LN 5/16 N	LN 5/16-18 Zinc Plated Nylon Insert Lock Nut
30	2	T650RL04	Small Roller Bearing

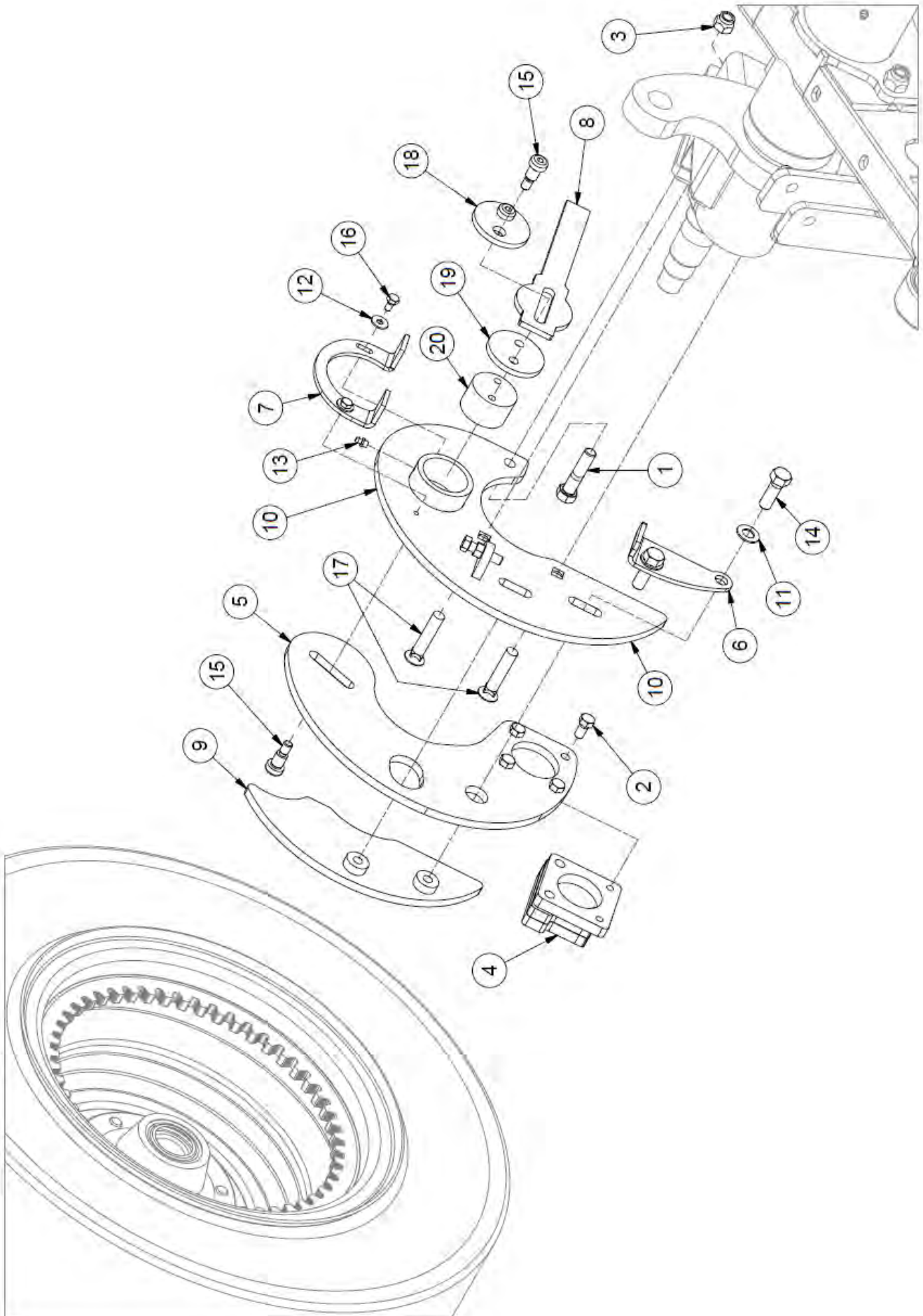
# Rear Axle



## Rear Axle

ITEM	QTY	PART NUMBER	DESCRIPTION
1	2	HUB4000-CCS	Complete Bearing and Seals Kit
2	2	HUB 4000#	Hub 4000 lb
3	12	TL500-100-072	Wheel Stud - Wheel Bolt 9/16 x 1 3/4
4	1	25680	Lynch Pin 3/16 x 1.5
5	1	27566	Last Pushoff Spring Pin
6	1	43395	Left Side Lock Yoke
7	1	44563	Bed Lock Handle
8	1	44662	Right Side Lock Yoke
9	1	44840	TL60 Cam Axle
10	8	CP.188 X 2	3-16 x 2.25 Cotter Pin, Brass
11	7	HB 1/2-13X1.75 Z5	Hex Bolt 1/2-13x1 3/4 Grade 5 Zinc Plated Hex Cap Screw
12	3	HB 1/2-13X2 Z5	Hex Bolt 1/2-13x2 Grade 5 Zinc Plated Hex Cap Screw
13	4	HB 3/4-10X2.5 Z5	Hex Bolt 3/4-10x2 1/2 Grade 5 Zinc Plated Hex Cap Screw
14	4	HB 3/8-16X0.75 Z5	Hex Bolt 3/8-16x3/4 Grade 5 Zinc Plated Hex Cap Screw
15	5	LN 1/2 N	LN 1/2-13 Zinc Plated Nylon Insert Lock Nut
16	1	RP 1/4 x 2 1/4	Pin - Roll Pin 1/4 x 2 1/4
17	1	RP 3/8 x 2 1/2	Pin - Roll Pin 3/8 x 2 1/2
18	2	TL5X2-100-207	Cylinder, 3 .5 x 8
19	2	TL5X2-500-114	Lug Tire
20	1	TL109-100-345	Brake Pad
21	2	TL109-100-356	Rear Axle Spindle
22	1	TL109-100-360	Power Drive Assembly RH
23	2	TL550-200-134	Rim c/w Gear
24	4	43229	1" Cylinder Pin
25	8	FW 1.0	Flatwasher - 1" Zinc Plated USS

# Parking Brake

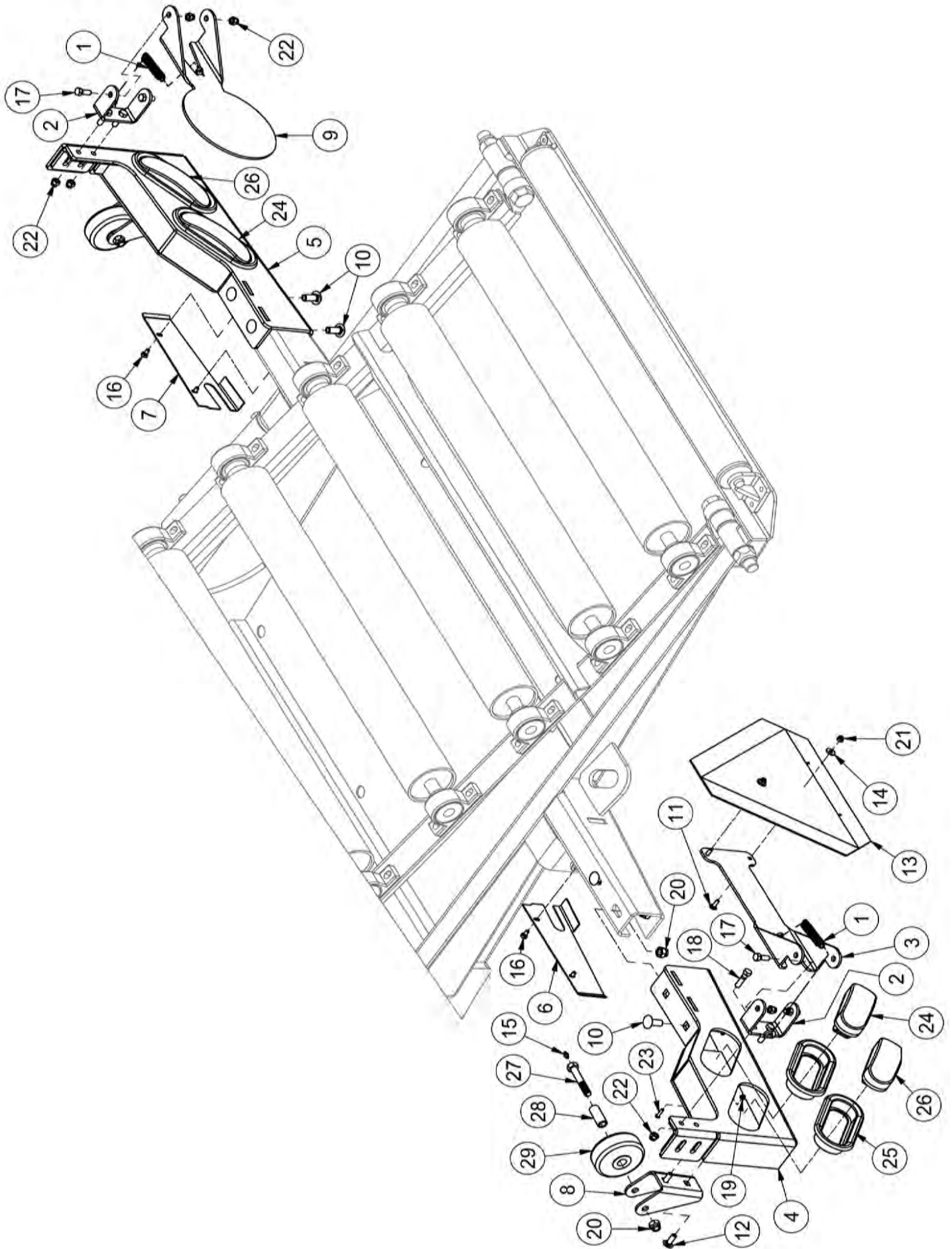




## Parking Brake

ITEM	QTY	PART NUMBER	DESCRIPTION
1	1	HB 1/2-13X2.25 Z5	Hex Bolt 1/2-13x2 1/4 Grade 5 Zinc Plated Hex Cap Screw
2	4	HB 3/8-16X0.75 Z5	Hex Bolt 3/8-16x3/4 Grade 5 Zinc Plated Hex Cap Screw
3	1	LN 1/2 N	LN 1/2-13 Zinc Plated Nylon Insert Lock Nut
4	1	TL109-100-345	Brake Pad
5	1	25116	Drive Engaging Plate
6	1	25119	Outside Plate Guide
7	1	25121	Handle Lock
8	1	25122	Handle
9	1	25123	Bolt-on Plate
10	1	25124	Plate - Power Drive Weldment
11	2	FW 1/2	Flatwasher - 1/2" Zinc Plated USS
12	2	FW 1/4	Flatwasher - 1/4" Zinc Plated USS
13	1	GR 1/4 X 28	Grease Fitting 1/4-28 Straight Standard Zerk
14	2	HB 1/2-13X1.5 Z5	Hex Bolt 1/2-13x1 1/2 Grade 5 Zinc Plated Hex Cap Screw
15	3	HB 1/2X5/8 SS	Socket Head Shoulder Screws - 1/2 Shldr x 5/8 x 3/8-16
16	2	HB 1/4-20X0.5 Z5	Hex Bolt 1/4-20x1/2 Grade 5 Zinc Plated Hex Cap Screw
17	2	PB 1/2-13X2.5	Plow Bolts - 1/2-13 x 2 1/2 Flat Head Gr.5
18	1	WHEEL2012	Outside Handle Washer
19	1	WHEEL20121	Inside Handle Washer
20	1	WHEEL9	Eccentric

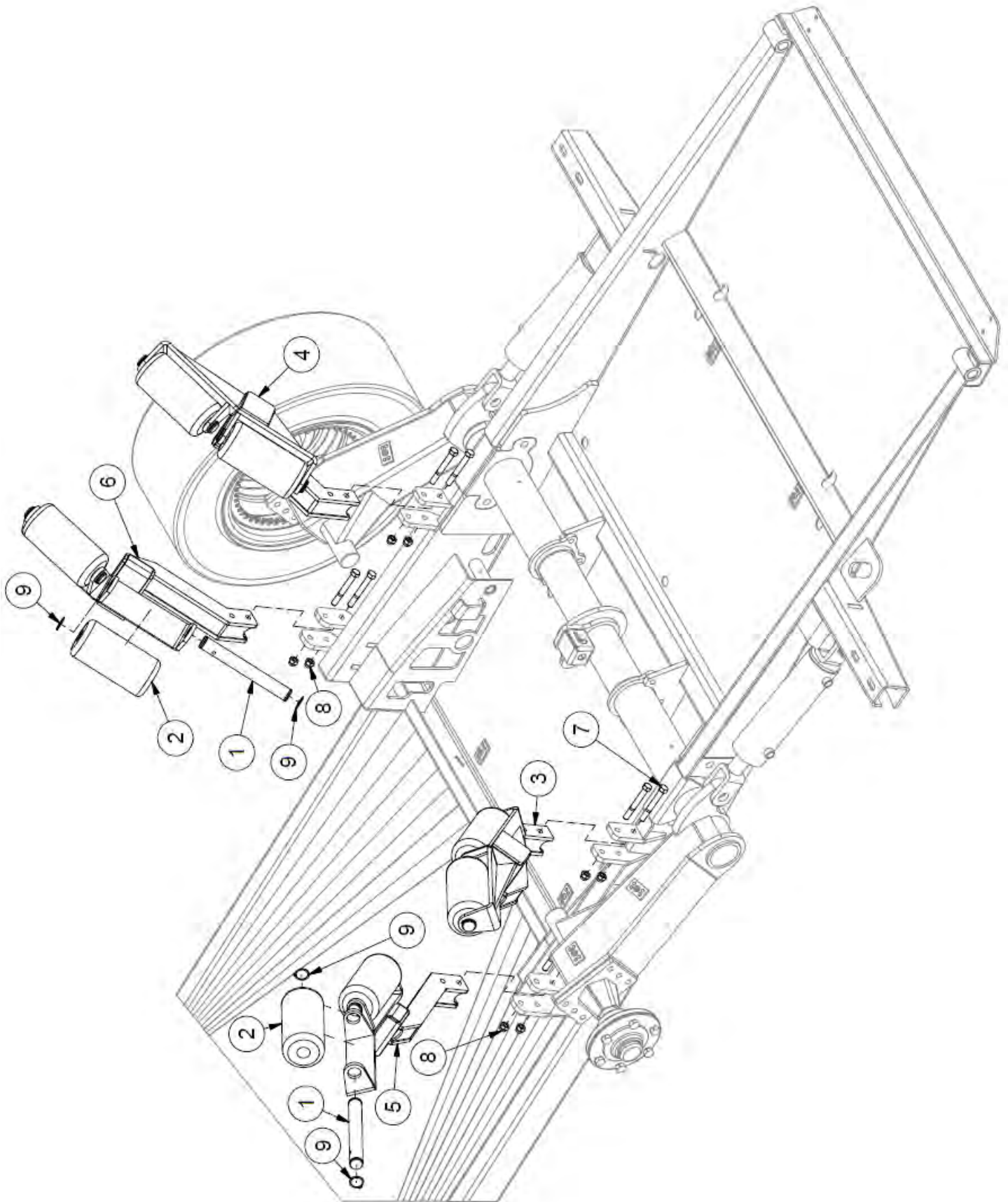
# Rear Light Brackets



## Rear Light Brackets

ITEM	QTY	PART NUMBER	DESCRIPTION
1	2	28771	SMV Spring
2	2	44203	SMV C Bracket
3	1	44204	SMV Attachment
4	1	44673	Left Side Light Bracket
5	1	44680	Right Side Light Bracket
6	1	44682	Rear Left Cap
7	1	44683	Rear Right Cap
8	2	44684	Back Guide Wheel Mount
9	1	45923	SIS Mount
10	8	CB 1/2-13 X1.25 Z5	Carriage Bolt - 1/2-13 x 1 1/4" Grade 5 Zinc
11	2	CB 1/4-20 X0.75 Z5	Carriage Bolt - 1/4-20 x 3/4" Grade 5 Zinc
12	4	CB 3/8-16 X1 Z5	Carriage Bolt - 3/8-16 x 1" Grade 5 Zinc
13	1	DESMV	Slow Moving Vehicle Sign
14	2	FW 1/4	Flatwasher - 1/4" Zinc Plated USS
15	2	GR 1/4 X 28	Grease Fitting 1/4-28 Strght-Standr Zerk
16	4	HB 1/4-20X0.5 Z5	Hex Bolt 1/4-20x1/2 Grade 5 Zinc Plated Hex Cap Screw
17	2	HB 3/8-16X1 Z5	Hex Bolt 3/8-16x1 Grade 5 Zinc Plated Hex Cap Screw
18	2	HB 3/8-16X1.5 Z5	Hex Bolt 3/8-16x1 1/2 Grade 5 Zinc Plated Hex Cap Screw
19	2	LN #10 N	LN 3/16-24 Zinc Plated Nylon Insert Lock Nut
20	8	LN 1/2 N	LN 1/2-13 Zinc Plated Nylon Insert Lock Nut
21	4	LN 1/4 N	LN 1/4-20 Zinc Plated Nylon Insert Lock Nut
22	4	LN 3/8 N	LN 3/8-16 Zinc Plated Nylon Insert Lock Nut
23	2	MS #10X24X0.75	Machine Screw - (Inch)
24	1	TL5X2-500-137	Red Brake Light
25	1	TL5X2-500-136	Light Mount Grommet
26	1	TL5X2-500-138	Amber Light
27	2	TL500-100-015	Hoop Wheel Axle Bolt
28	2	TL550-200-016	Spanner
29	2	TLWHEEL01	Hoop Wheel

# Guide Rollers - Standard



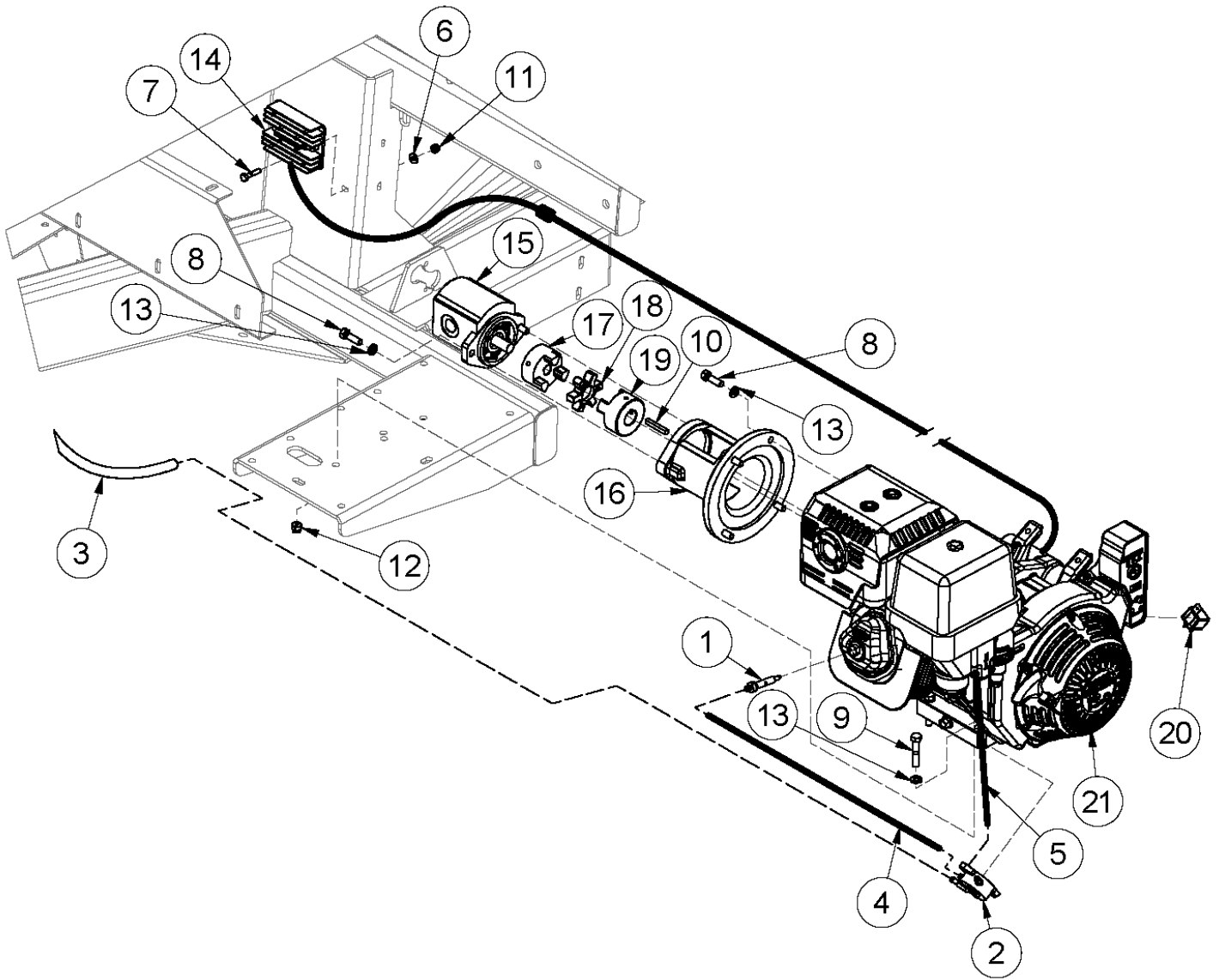


## Guide Rollers - Standard

ITEM	QTY	PART NUMBER	DESCRIPTION
1	8	41302	Guide Roller Shaft
2	8	41604	8" UHMW Guide Roller
3	1	43389	Left Back Guid Roller Mount
4	1	43392	Right Back Guide Roller Mount
5	1	44685	Left Front Guide Roller Mount
6	1	44696	Right Front Guide Roller Mount
7	8	HB 1/2-13X4 Z5	Hex Bolt 1/2-13x4 Grade 5 Zinc Plated Hex Cap Screw
8	8	LN 1/2 N	LN 1/2-13 Zinc Plated Nylon Insert Lock Nut
9	16	RR 1.188	Retaining Ring-1 3/16- External

## Section 2: Engines

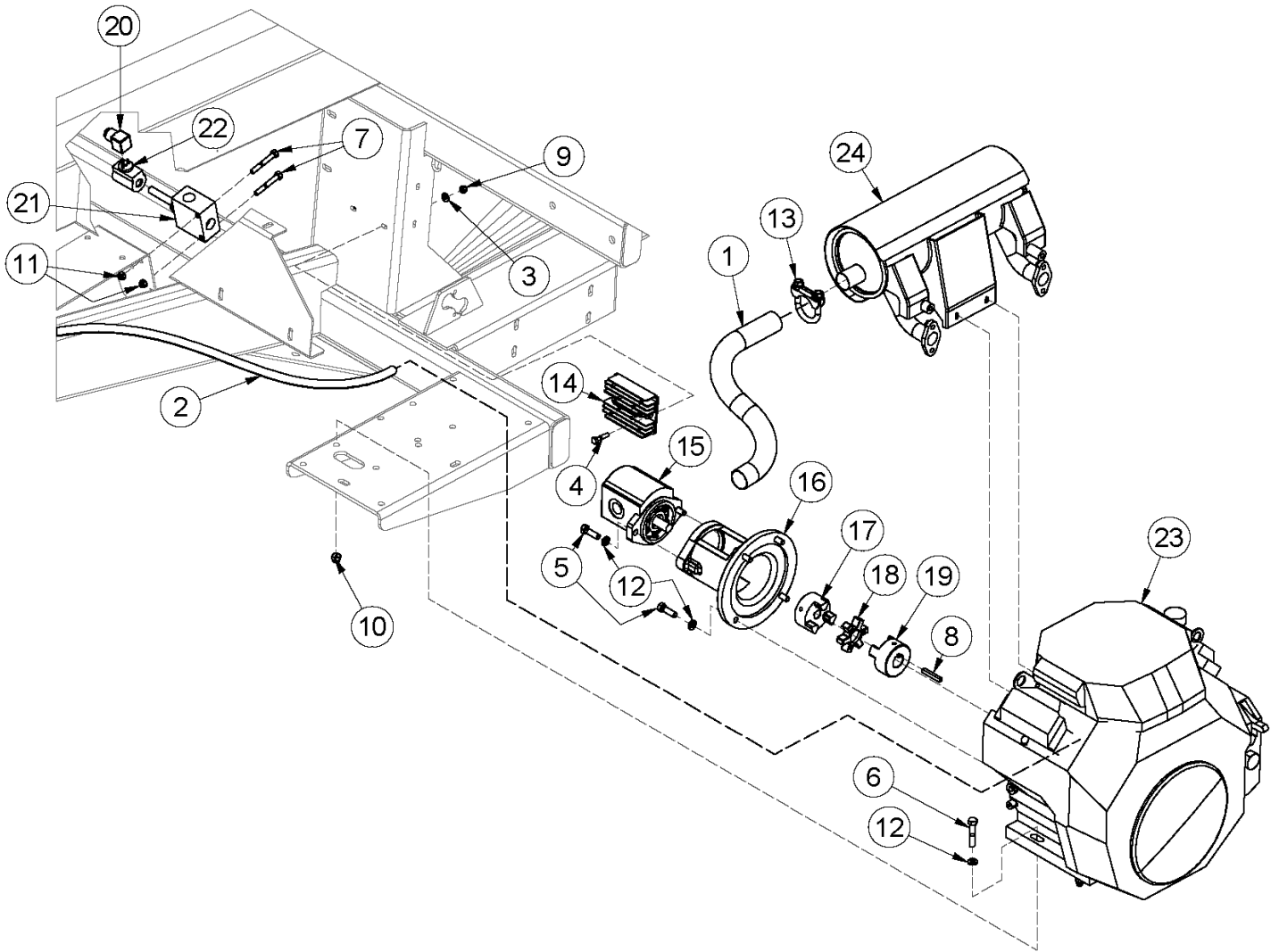
### TL13HP - 13hp Honda



## TL13Hp - 13hp Honda

ITEM	QTY	PART NUMBER	DESCRIPTION
1	1	25591	13HP Valve Cover Bolt for Fuel Pump
2	1	25649	Fuel Pump (Honda #16700Z0J013)
3	1	40957	Long Fuel Line
4	1	40962	Piston Discharge Line
5	1	40963	Engine Fuel Line
6	2	FW 1/4	Flatwasher - 1/4" Zinc Plated USS
7	2	HB 1/4-20X1.1/4 Z5	Hex Bolt - 1/4"-20 x 1-1/4" Grade 5 Zinc Plated Hex Cap Screw
8	6	HB 3/8-16X1.1/4 Z5	Hex Bolt 3/8-16 x 1 1/4" Grade 5 Zinc Plated Hex Cap Screw N.C.
9	4	HB 3/8-16X2.0 Z5	Hex Bolt 3/8-16 x 2" Grade 5 Zinc Plated Hex Cap Screw N.C.
10	1	KS40960	Key .25 x 1.75
11	2	LN 1/4 N	Locknuts - 1/4-20 Zinc Plated Nylon Insert
12	4	LN 3/8 N	Locknuts - 3/8-16 Zinc Plated Nylon Insert Lock Nut
13	10	LW 3/8	Lockwasher - 3/8" Zinc Plated Medium Split
14	1	TL31620-ZG5-033	Honda 20 Amp Rectifier for 13.5 & 20 HP (GX620 Engine Only)
15	1	TL500-100-181	Hydraulic Pump (13 HP Engine)
16	1	TL500-100-182	Adapter, Engine to Pump
17	1	TL500-100-183	Lovejoy Coupling Pump Side
18	1	TL500-100-184	Coupling Spacer
19	1	TL500-100-185	Love Joy Coupling Engine Side
20	1	TL500-100-220	35 AMP Relay
21	1	TL5X2-100-200	13 HP Honda 18 Amp Engine

# TL20HP - 20hp Honda

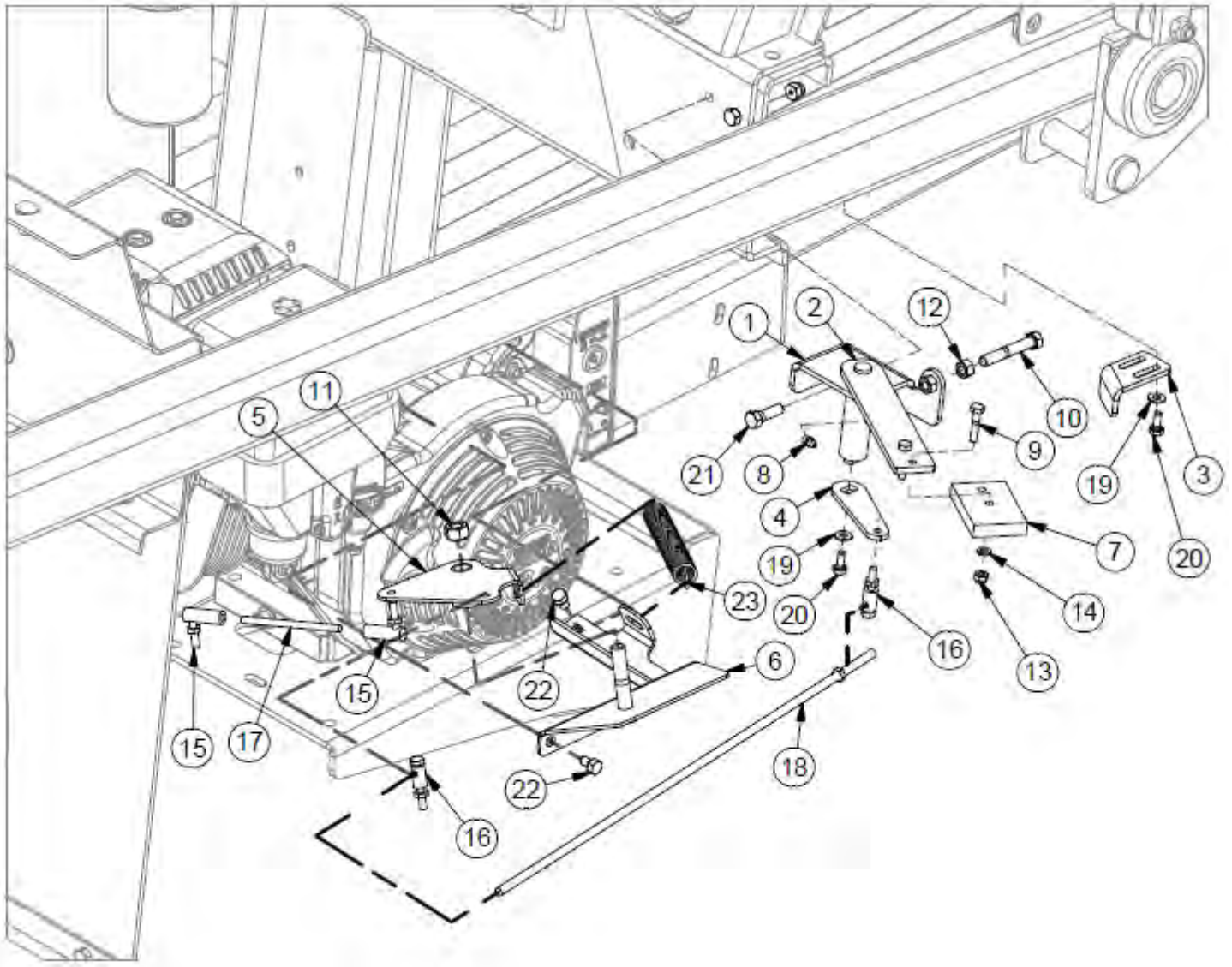




## TL20HP - 20hp Honda

ITEM	QTY	PART NUMBER	DESCRIPTION
1	1	36945	20 HP Muffler Pipe
2	1	40957	Long Fuel Line
3	2	FW 1/4	Flatwasher - 1/4" Zinc Plated USS (6480)
4	2	HB 1/4-20X1.1/4 Z5	Hex Bolt - 1/4"-20 x 1-1/4" Grade 5 Zinc Plated Hex Cap Screw
5	6	HB 3/8-16X1.1/4 Z5	Hex Bolt 3/8-16 x 1 1/4" Grade 5 Zinc Plated Hex Cap Screw N.C.
6	4	HB 3/8-16X2.0 Z5	Hex Bolt 3/8-16 x 2" Grade 5 Zinc Plated Hex Cap Screw N.C.
7	2	HB 5/16-18X2.1/4 Z5	Hex Bolt - 5/16-18 x 2-1/4 Grade 5 Zinc Hex Cap Screw
8	1	KS40960	Key .25 x 1.75
9	2	LN 1/4 N	Locknuts - 1/4-20 Zinc Plated Nylon Insert
10	4	LN 3/8 N	Locknuts - 3/8-16 Zinc Plated Nylon Insert Lock Nut
11	2	LN 5/16 N	Locknut - 5/16-18 Type NE Zinc Plated Nylon Insert
12	10	LW 3/8	Lockwasher - 3/8" Zinc Plated Medium Split (5500)
13	1	MC 1 1/2	Muffler Clamp 1 1/2" Pipe (MC7112)
14	1	TL31750-Z2E-803	Honda 20AMP Rectifier for GX630 Engine
15	1	TL5X2-101-181	Hydraulic Pump (20 HP Engine)
16	1	TL500-100-182	Adapter, Engine to Pump
17	1	TL500-100-183	Lovejoy Coupling Pump Side
18	1	TL500-100-184	Coupling Spacer
19	1	TL500-100-185	Love Joy Coupling Engine Side
20	1	31305	Wiring Harness for Dump Valve
21	1	TL6X2-102-202	Dump Valve (Includes Base and Relief)
21A	1	31545	Dump Valve Body and Cartridge (20 HP)
22	1	TL6X2-102-204	Dump Valve Solenoid (Coil) Round Coil
22A	1	31546	Dump Valve Solenoid (Coil) Square Coil
23	1	TL6X2-100-200	20 HP Honda Engine
24	1	TLVHRM6	Muffler

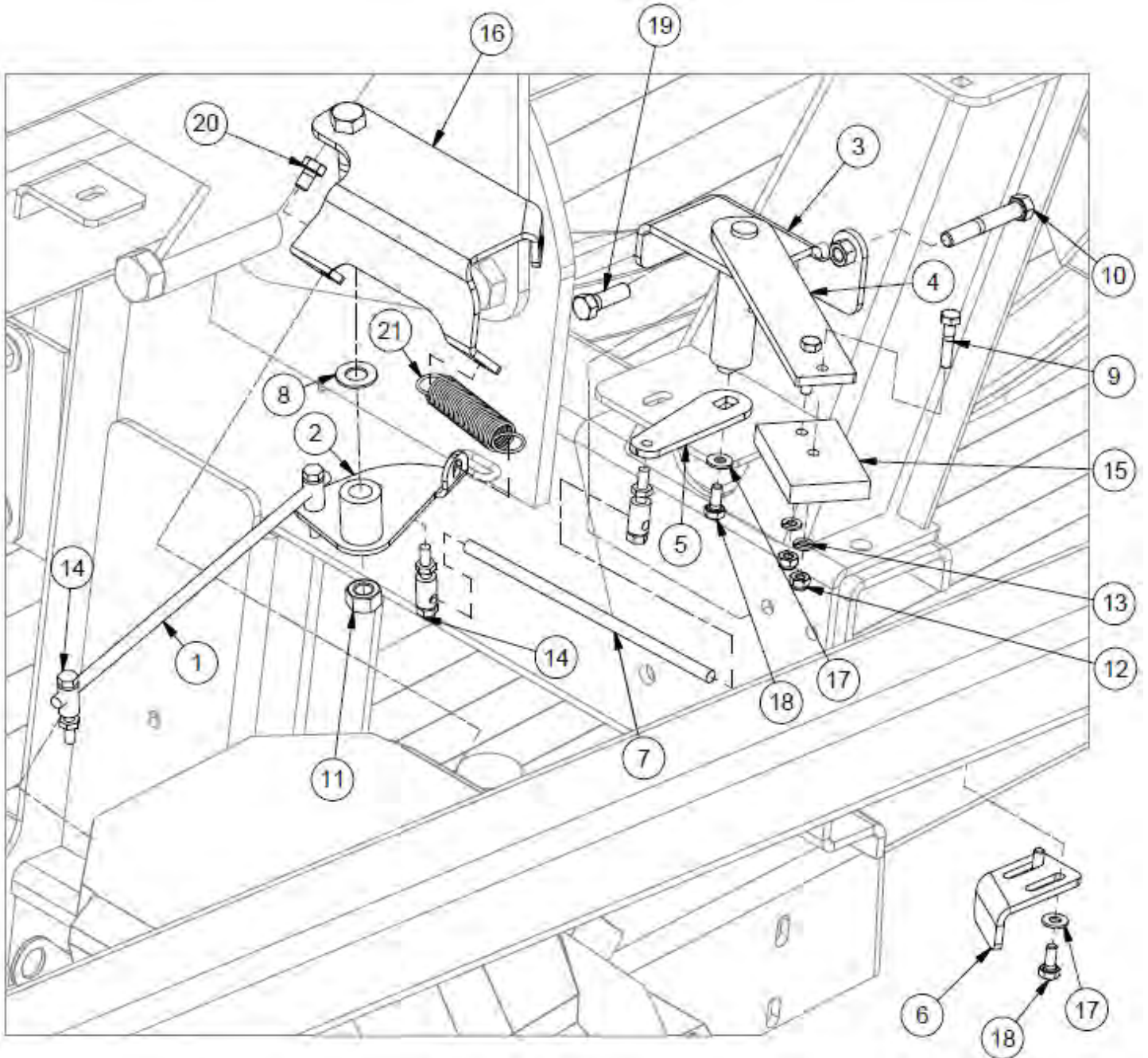
# 13hp Throttle Linkage



## 13hp Throttle Linkage

ITEM	QTY	PART NUMBER	DESCRIPTION
1	1	44629	Throttle Pivot Mount
2	1	44627	Throttle Pivot
3	1	44628	Throttle Bracket
4	1	44630	Pivot Link Plate
5	1	44631	Throttle Swivel Palte
6	1	44632	Throttle Swivel Mount Base
7	1	TL5X2-100-232	Striker Block
8	1	GR 1/4 X 28	Grease Fitting 1/4-28 Strght-Standr Zerk
9	2	HB 1/4-20X1.1/4 Z5	Hex Bolt - 1/4"-20 x 1-1/4" Grade 5 Zinc Plated Hex Cap Screw
10	1	HB 3/8-16X2.1/2 Z5	Hex Bolt 3/8"-16 x 2-1/2" Grade 5 Zinc Plated Hex Cap Screw NC
11	1	HN 1/2	Hex Nut 1/2"-13 Grade 5 Zinc Plated Finished NC
12	1	HN 3/8	Hex Nut 3/8"-16 Grade 5 Zinc Plated Finished NC
13	2	LN 1/4 N	Locknuts - 1/4-20 Zinc Plated Nylon Insert
14	2	LW 1/4	Lockwasher - 1/4" Zinc Plated Medium Split
15	2	TL550-100-065	Ball Joint
16	2	TL550-100-067	Linkage Pivot
17	1	44626	1/4 x 4 UNF Threaded Rod C/W 2 Nut
18	1	44633	13hp Control Rod
19	9	FW 1/4	Flatwasher - 1/4" Zinc Plated USS
20	3	HB 1/4-20X 5/8 Z5	Hex Bolt - 1/4"-20 x 5/8" Grade 5 Zinc Plated Hex Cap Screw
21	24	HB 3/8-16X1.1/4 Z5	Hex Bolt 3/8-16 x 1 1/4" Grade 5 Zinc Plated Hex Cap Screw NC
22	5	HB 5/16-18X 1/2 Z5	Hex Bolt 5/16-18 x 1/2" Grade 5 Zinc Plated Hex Cap Screw NC
23	2	TL550-100-069	Throttle Spring

## 20hp Throttle Linkage



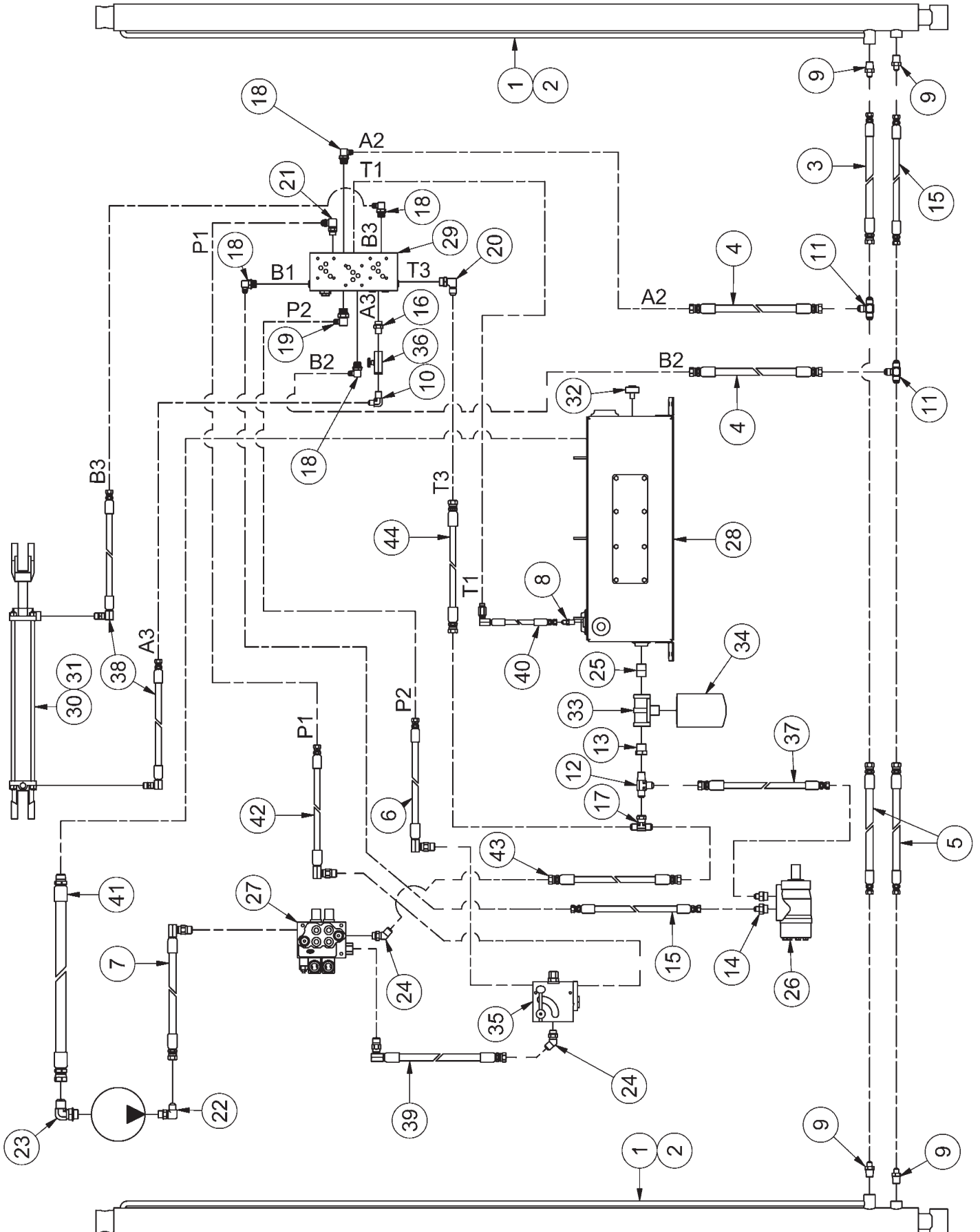


## 20hp Throttle Linkage

ITEM	QTY	PART NUMBER	DESCRIPTION
1	1	44644	20hp Rod
2	1	44643	20hp Swing Link
3	1	44629	Throttle Bracket
4	1	44627	Throttle Pivot
5	1	44646	Pivot Link Plate
6	1	44628	Throttle Bracket
7	1	44647	Link Rod
8	1	FW 1/2	Flatwasher - 1/2" Zinc Plated USS
9	2	HB 1/4-20X1.1/4 Z5	Hex Bolt - 1/4"-20 x 1-1/4" Grade 5 Zinc Plated Hex Cap Screw
10	1	HB 3/8-16X2.1/2 Z5	Hex Bolt 3/8"-16 x 2-1/2" Grade 5 Zinc Plated Hex Cap Screw NC
11	1	HN 1/2	Hex Nut 1/2"-13 Grade 5 Zinc Plated Finished NC
12	2	LN 1/4 N	Locknuts - 1/4-20 Zinc Plated Nylon Insert
13	2	LW 1/4	Lockwasher - 1/4" Zinc Plated Medium Split
14	4	TL550-100-067	Linkage Pivot
15	1	TL5X2-100-232	Striker Block 1/2 x 2 x 3
16	1	44645	Engine Bracket for 20HP
17	3	FW 1/4	Flatwasher - 1/4" Zinc Plated USS
18	3	HB 1/4-20X 5/8 Z5	Hex Bolt - 1/4"-20 x 5/8" Grade 5 Zinc Plated Hex Cap Screw
19	2	HB 3/8-16X1.1/4 Z5	Hex Bolt 3/8-16 x 1 1/4" Grade 5 Zinc Plated Hex Cap Screw NC
20	2	HB 5/16-18X 1/2 Z5	Hex Bolt 5/16-18 x 1/2" Grade 5 Zinc Plated Hex Cap Screw NC
21	1	TL550-100-069	Throttle Spring

# Section 3: Hydraulics

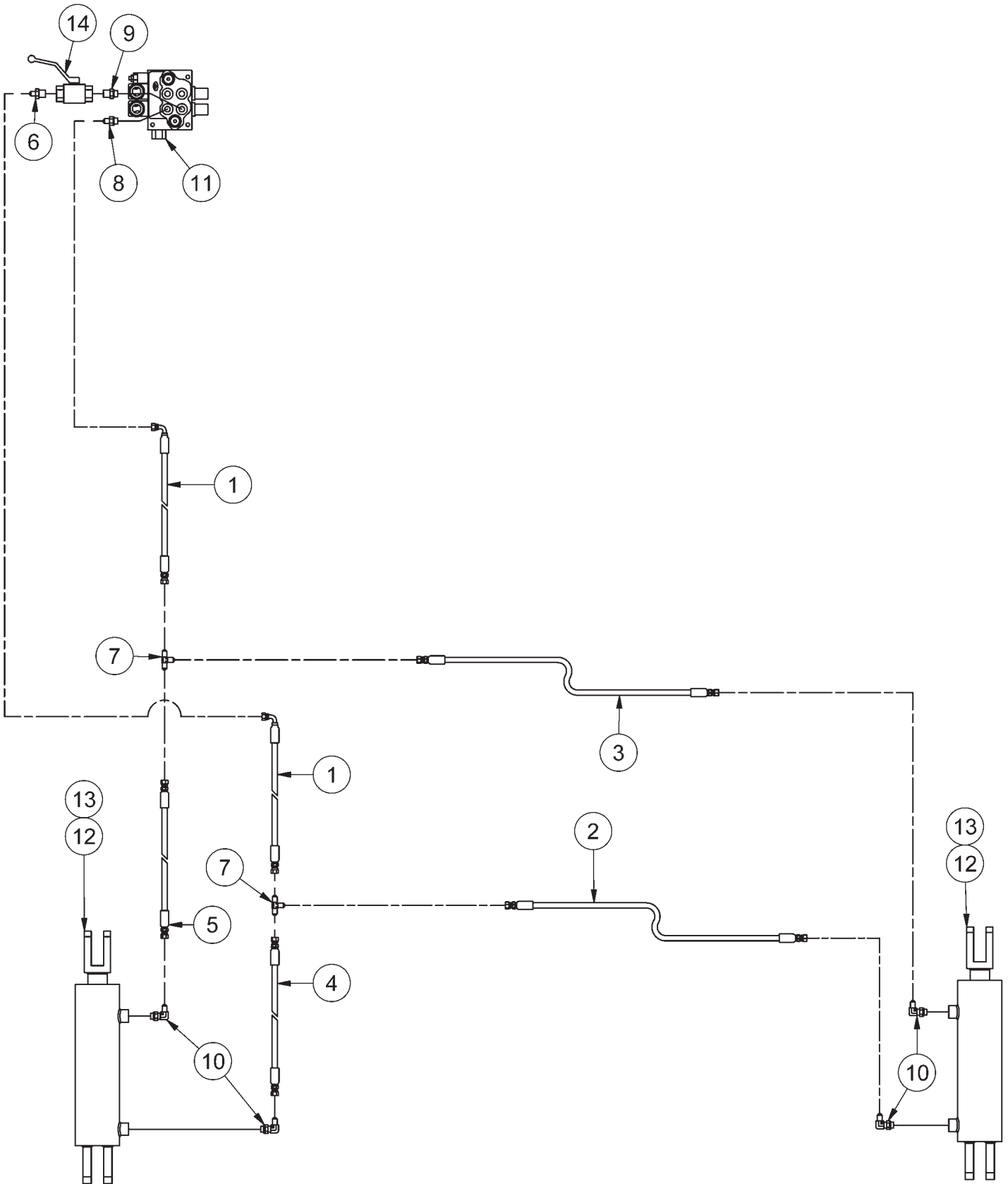
## Hydraulic Layout - 13hp Front Circuits



## Hydraulic Layout - 13hp Front Circuits

ITEM	QTY	PART NUMBER	DESCRIPTION
1	2	40253	Ram Cylinder
2	2	SK P16-083S	Seal Kit 2.5" (Pneu-Hyd)
3	1	41543	HH53-6AT1(8FJX-6FJX) HCL 53"
4	2	41830	HH30"- 8ATI(8FJX-8FJX)30" HCL
5	2	41831	HH28"- 6ATI(6FJX-8FJX)28" HCL
6	1	41833	HH95"- 6ATI(8MBX90-6FJX)95" HCL
7	2	41834	HH104"- 8ATI(8MBX90-8FJX)104" HCL
8	1	HF 2404-4-4	Hyd. Fitting - Male JIC - Male Pipe
9	4	HF 2404-6-8	Hyd Fitting, Male JIC - Male Pipe
10	1	HF 2501-6-6	Hyd Fitting - Male JIC - Male Pipe 90 Degree
11	2	HF 2603-8-8-8	Hyd Fitting
12	1	HF 2605-8-8	Male JIC - Male Pipe
13	1	HF 5406-12-8	Hyd. Fitting - Reducer Bushing
14	2	HF 6400-6-10	Hyd Fitting -Male JIC - Male ORB
15	1	HF 6401-6-6	Hydraulic Adapter - Male OTB - Male Pipe
16	1	HF 6401-8-6	Hydraulic Adapter - Male ORB - Male Pipe
17	1	HF 6600-8-8-8	Hyd. Fitting - Male JIC - Female JIC Tee
18	4	HF 6801-6-8	Hyd Fitting - Male JIC - Male ORB 90 Degree
19	1	HF 6801-6-10	Hyd. Fitting -Male JIC - Male ORB 90 Degree Elbow
20	1	HF 6801-8-6-NWO	Adapter
21	1	HF 6801-8-8	Hyd. Fitting- 1/2" JIC- 1/2" SAE 90 Deg Elbow
22	1	HF 6801-8-10	Hyd. Fitting -1/2" JIC - 5/8" 90 Degree Elbow
23	1	HF 6801-12-12	Forged Fitting - 3/4" JIC x 3/4" SAE 90 Deg. Elbow
24	2	HF 6802-8-8	Hyd. Fitting- Male JIC- Male ORB 45 Deg
25	1	PI 3/4 CLOSE NIPPLE	Close Nipple Sch 80 3/4
26	1	TL5X2-200-050	Hydraulic Motor (M t S 2009 Models)
27	1	TL5X2-201-055	2 Spool Monoblock Valve
28	1	TL5X2-500-151	Hydraulic Oil Tank
29	1	TL500-100-056	3 Station Custom Manifold
30	1	TL500-100-103	Hydraulic Cylinder, 2 x 16
31	1	SK AGU201125-10	Seal Kit - 2" Kinacor Cylinder
32	1	TL500-100-171	Sight Gauge
33	1	TL500-100-172	Filter Base
34	1	TL500-100-173	10 Micron Filter
35	1	TL500-100-193	Flow Control - RD 150-08
36	1	TL550-200-006	Steering Speed Control (Needle Valve)
37	1	TLT5E102-09	HH48 - 6ATI(8FJXH-6FJXH)48HCL
38	2	TLT5E606-09	HH92.50 - 6ATI(6MBX90,6FJXH) 92.50" E/E
39	1	TLT5M111-09	HH24.75- 8ATI(8MBX90-8FJX)24.75 - E/E
40	1	TLTLE101-09	HH25-4ATI(4FJXH-6MBX90)25"HCL
41	1	TL-TLM517	HH37.5 - 12G4H(12MP,12FJXH) 37.5HCL
42	1	TLX204-09	HH80-6ATI-8MBX90-6FJX-80-CL/E
43	1	TLX205-09	HH74.25-6ATI-8FJX-8FJX-74.25-E/E
44	1	TLX210-09	HH22.25 - 8ATI(8FJX-8FJX) 22.25-CL/E

# Hydraulic Layout - 13hp Rear Circuits

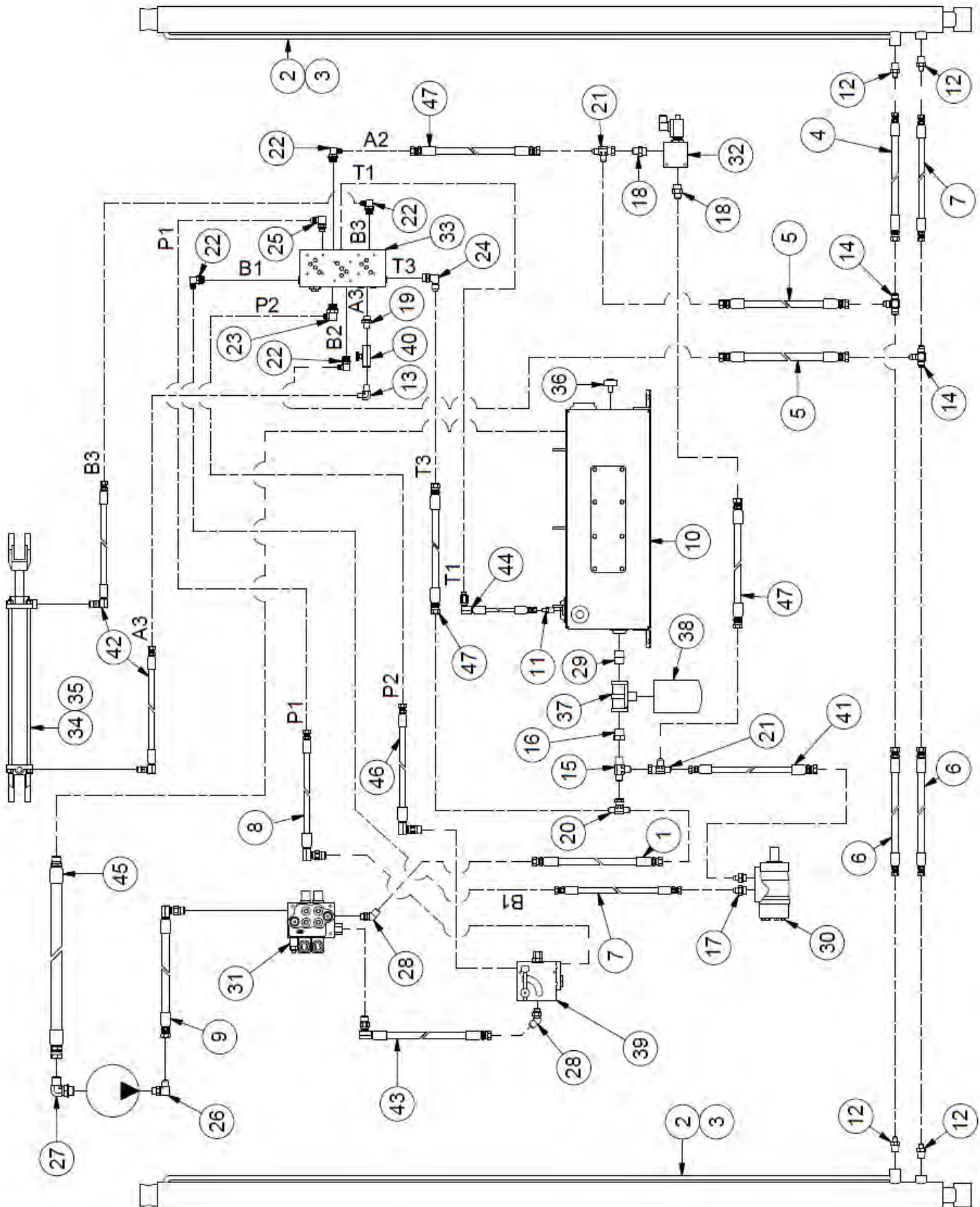




## Hydraulic Layout - 13hp Rear Circuits

ITEM	QTY	PART NUMBER	DESCRIPTION
1	2	41838	HH200"- 4ATI(4FJX-4FJX90S)200" HCL
2	1	41839	HH62"- 4ATI(4FJX-4FJX)62" HCL
3	1	41840	HH52"- 4ATI(4FJX-4FJX)52" HCL
4	1	41841	HH24"- 4ATI(4FJX-4FJX)24" HCL
5	1	41842	HH14"- 4ATI(4FJX-4FJX)14" HCL
6	1	HF 2404-4-6	Hyd. Fitting - Male JIC - Male Pipe
7	2	HF 2603-4	Hyd Fitting - Male JIC Tee
8	1	HF 6400-4-6	Hyd Fitting - Male JIC - Male ORB
9	1	HF 6401-6-6	Hydraulic Adapter - Male OTB - Male Pipe
10	4	HF 6801-4-6	Hyd Fitting - Male JIC - Male ORB 90 Degree
11	1	TL5X2-201-055	2 Spool Monoblock Valve
12	2	TL5X2-100-207	3 1/2 X 8 Hydraulic Cylinder
13	2	SK AGU251125-10	Seal Kit for 25 Series Cylinder
14	1	VAL BV73-100	Valve 1/2" Ball

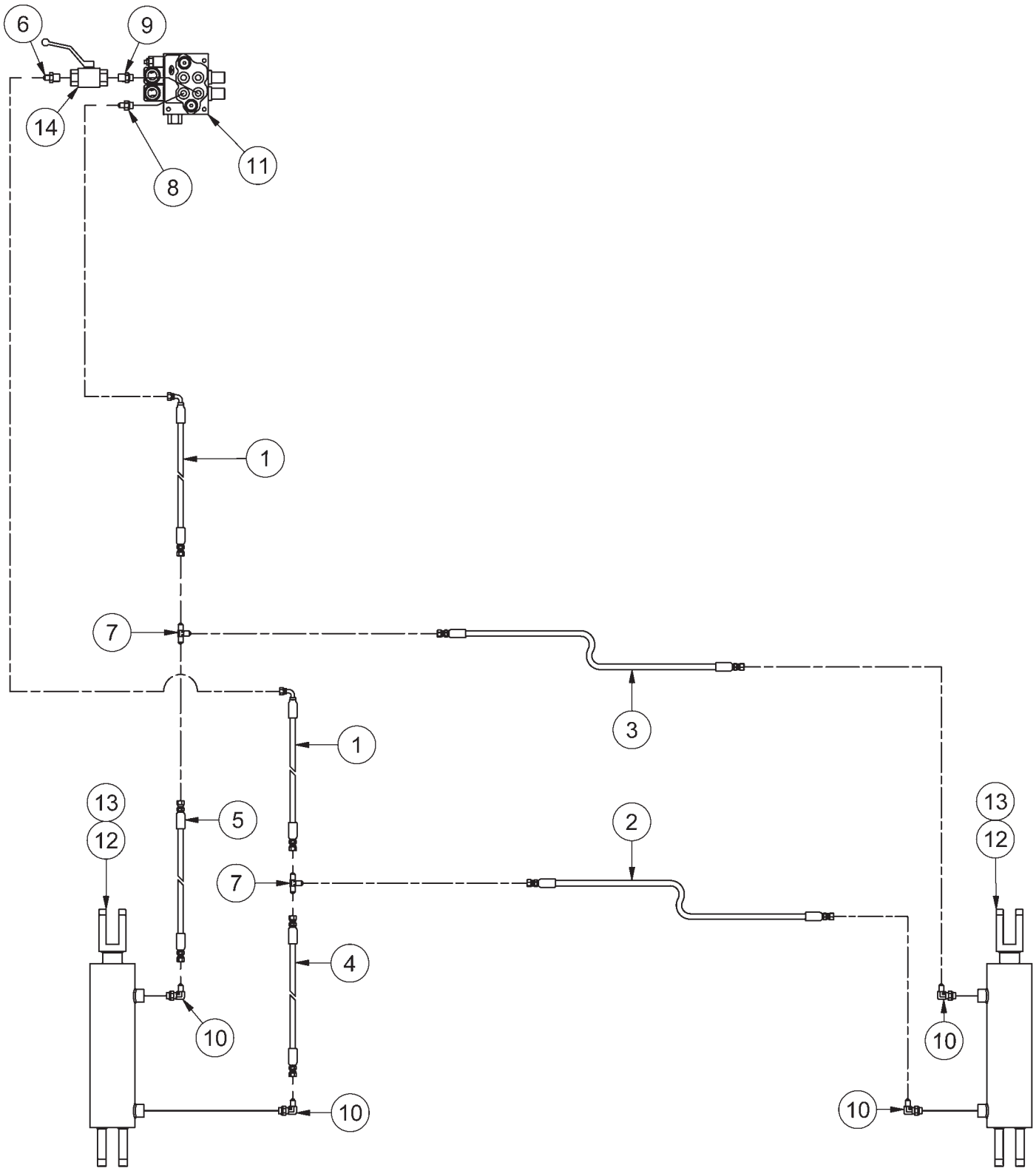
# Hydraulic Layout - 20hp Front Circuits



## Hydraulic Layout - 20hp Front Circuits

ITEM	QTY	PART NUMBER	DESCRIPTION
1	1	25274	HH80 - 8ATI(8FJ,8FJX)HCL 80"
2	2	40253	TL6000 Ram Cylinder
3	2	SK P16-083S	Seal Kit 2.5" (Pneu-Hyd)
4	1	41543	HH53-6ATI(8FJX-6FJX) HCL 53"
5	2	41830	HH30"- 8ATI(8FJX-8FJX)30" HCL
6	2	41831	HH28"- 6ATI(6FJX-8FJX)28" HCL
7	1	41832	HH56"- 6ATI(6FJX-8FJX)56" HCL
8	1	41833	HH95"- 6ATI(8MBX90-6FJX)95" HCL
9	1	41834	HH104"- 8ATI(8MBX90-8FJX)104" HCL
10	1	44251	Hydraulic Oil Tank
11	1	HF 2404-4-4	Hyd. Fitting - Male JIC - Male Pipe
12	4	HF 2404-6-8	Hyd Fitting, Male JIC - Male Pipe
13	1	HF 2501-6-6	Hyd Fitting - Male JIC - Male Pipe 90 Degree
14	2	HF 2603-8-8-8	Hyd Fitting
15	1	HF 2605-8-8-8	Male JIC - Male Pipe
16	1	HF 5406-12-8	Hyd. Fitting - Reducer Bushing
17	2	HF 6400-6-10	Hyd Fitting -Male JIC - Male ORB
18	2	HF 6400-8-10	Hyd Fitting - Male JIC - Male ORB
19	1	HF 6401-8-6	Hydraulic Adapter - Male ORB - Male Pipe
20	1	HF 6600-8-8-8	Hyd. Fitting - Male JIC - Female JIC Tee
21	2	HF 6602-8-8-8	Hyd Fitting Run Tee M-JIC/F-JIC/M-JIC
22	4	HF 6801-6-8	Hyd Fitting - Male JIC - Male ORB 90 Degree
23	1	HF 6801-6-10	Hyd. Fitting -Male JIC - Male ORB 90 Degree Elbow
24	1	HF 6801-8-6-NWO	Adapter
25	1	HF 6801-8-8	Hyd. Fitting- 1/2" JIC- 1/2" SAE 90 Deg Elbow
26	1	HF 6801-8-10	Hyd. Fitting -1/2" JIC - 5/8" 90 Degree Elbow
27	1	HF 6801-12-12	Forged Fitting - 3/4" JIC x 3/4" SAE 90 Deg. Elbow
28	2	HF 6802-8-8	Hyd. Fitting- Male JIC- Male ORB 45 Deg
29	1	PI 3/4 CLOSE NIPPLE	Close Nipple Sch 80 3/4
30	1	TL5X2-200-050	Hydraulic Motor (M t S 2009 Models)
31	1	TL5X2-201-055	2 Spool Monoblock Valve
32	1	TL5X2-500-161	Dump Valve
33	1	TL500-100-056	3 Station Custom Manifold
34	1	TL500-100-103	Hydraulic Cylinder, 2 x 16
35	1	SK AGU201125-10	Seal Kit - 2" Kinacor Cylinder
36	1	TL500-100-171	Sight Gauge
37	1	TL500-100-172	Filter Base
38	1	TL500-100-173	10 Micron Filter
39	1	TL500-100-193	Flow Control - RD 150-08
40	1	TL550-200-006	Steering Speed Control (Needle Valve)
41	1	TLT5E102-09	HH48 - 6ATI(8FJXH-6FJXH)48HCL
42	2	TLT5E606-09	HH92.50 - 6ATI(6MBX90,6FJXH) 92.50" E/E
43	1	TLT5M111-09	HH24.75- 8ATI(8MBX90-8FJX)24.75 - E/E
44	1	TLTLE101-09	HH25-4ATI(4FJXH-6MBX90)25"HCL
45	1	TL-TLM517	HH37.5 - 12G4H(12MP,12FJXH) 37.5HCL
46	1	TLX204-09	HH80-6ATI-8MBX90-6FJX-80-CL/E
47	3	TLX210-09	HH22.25 - 8ATI(8FJX-8FJX) 22.25-CL/E

# Hydraulic Layout - 20hp Rear Circuits

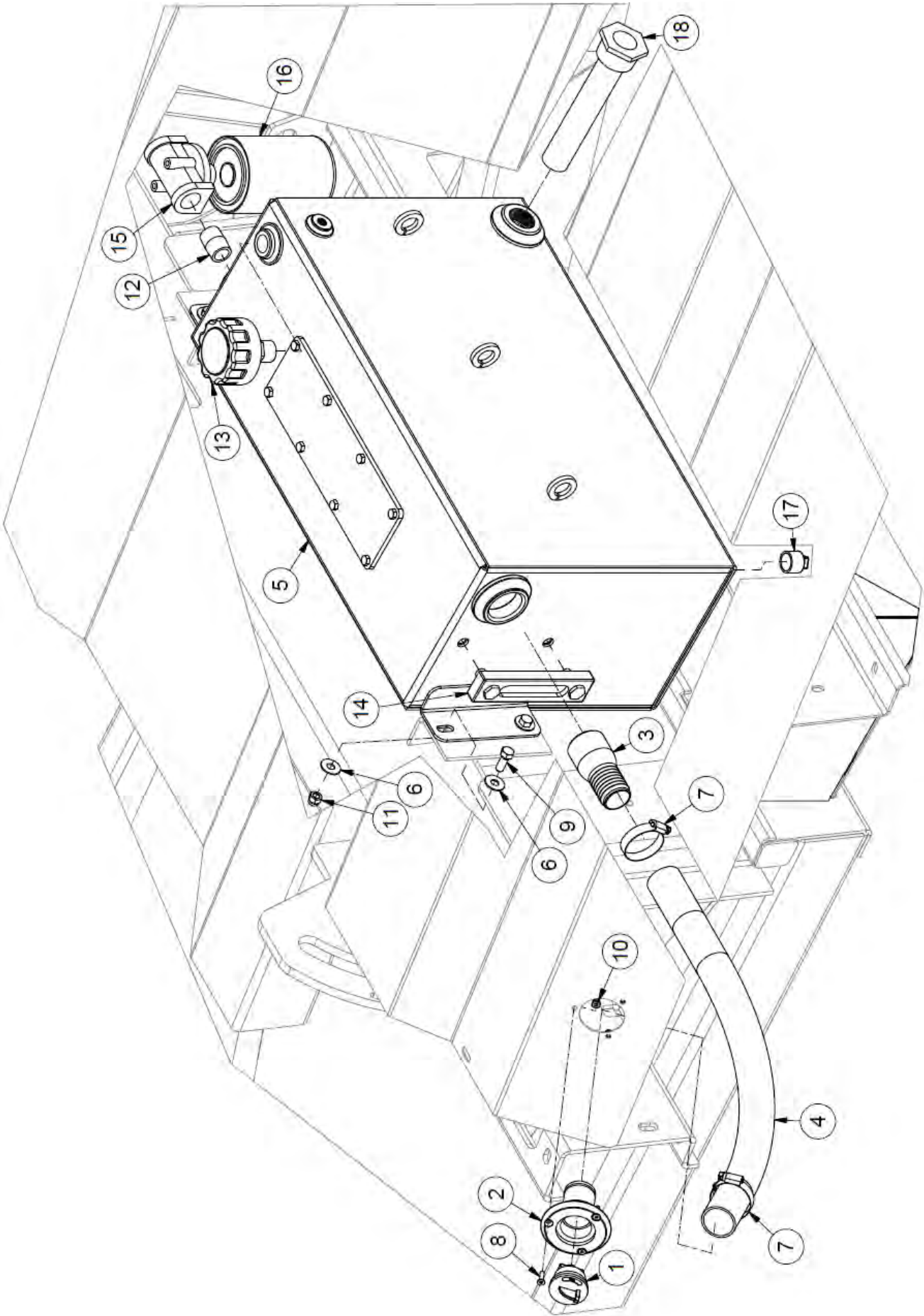




## Hydraulic Layout - 20hp Rear Circuits

ITEM	QTY	PART NUMBER	DESCRIPTION
1	1	41838	HH200"- 4ATI(4FJX-4FJX90S)200" HCL
2	1	41839	HH62"- 4ATI(4FJX-4FJX)62" HCL
3	1	41840	HH52"- 4ATI(4FJX-4FJX)52" HCL
4	1	41841	HH24"- 4ATI(4FJX-4FJX)24" HCL
5	1	41842	HH14"- 4ATI(4FJX-4FJX)14" HCL
6	1	HF 2404-4-6	Hyd. Fitting - Male JIC - Male Pipe
7	2	HF 2603-4	Hyd Fitting - Male JIC Tee
8	1	HF 6400-4-6	Hyd Fitting - Male JIC - Male ORB
9	1	HF 6401-6-6	Hydraulic Adapter - Male OTB - Male Pipe
10	4	HF 6801-4-6	Hyd Fitting - Male JIC - Male ORB 90 Degree
11	1	TL5X2-201-055	2 Spool Monoblock Valve
12	2	TL5X2-100-207	3 1/2 X 8 Hydraulic Cylinder
13	2	SK AGU251125-10	Seal Kit for 25 Series Cylinder
14	1	VAL BV73-100	Valve 1/2" Ball

# Hydraulic Oil Tank



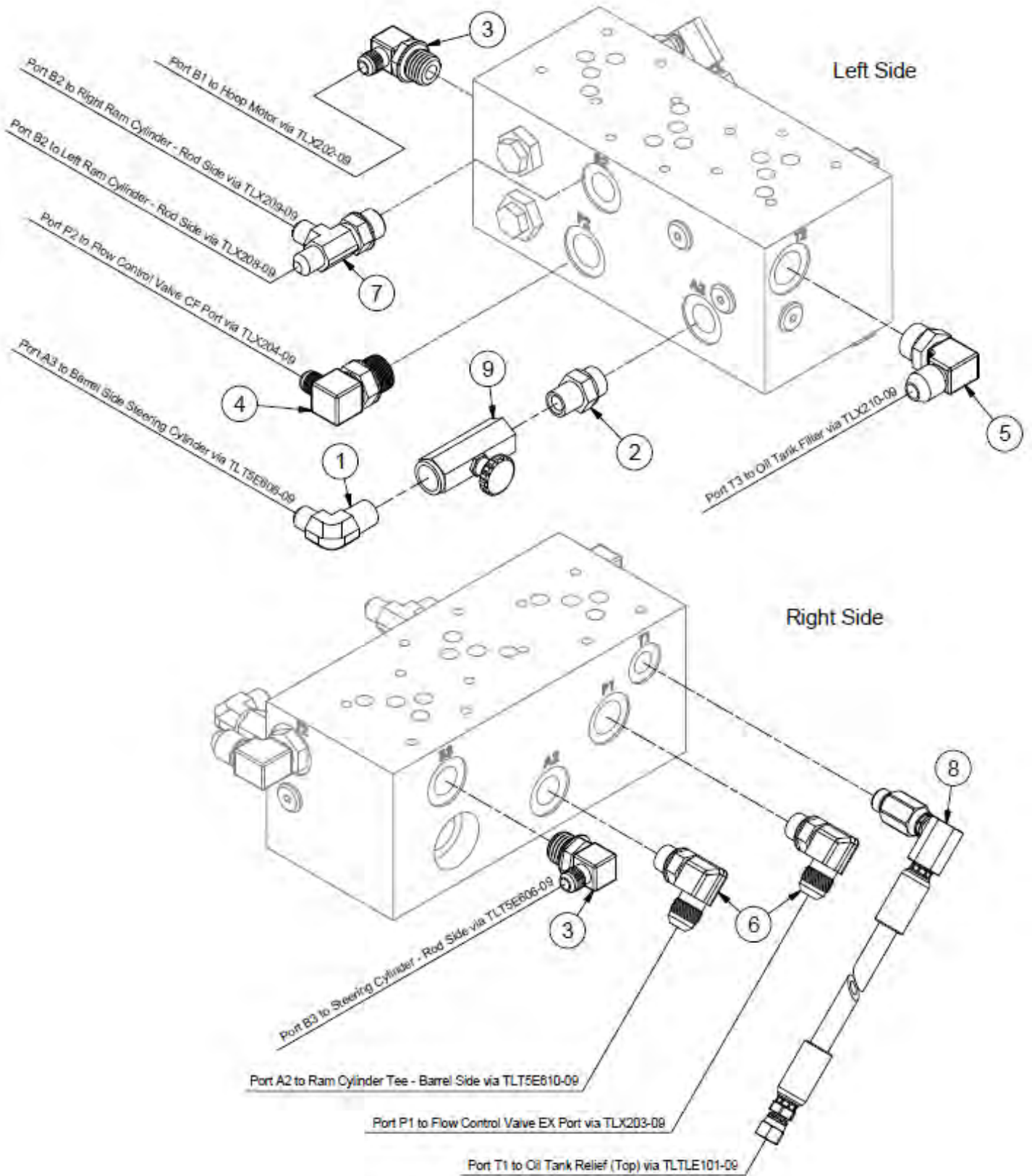
## Hydraulic Oil Tank

ITEM	QTY	PART NUMBER	DESCRIPTION
1	1	30868	Hydraulic Oil Fill Cap
2	1	30869	Hydraulic Oil Fill Body
3	1	30894	Oil Fill Barb Fitting
4	1	44111	Oil Fill Tube
5	1	44251	Hydraulic Oil Tank
6	8	FW 3/8	Flatwasher - 3/8" Zinc Plated USS
7	2	GC 24	2" Gear Clamp
8	3	HB #10-24X0.75 FHSCS	Hex Bolt - 3/16"-24 x 3/4" Flat Socket Cap Screw
9	4	HB 3/8-16X1 Z5	Hex Bolt 3/8-16x1 Grade 5 Zinc Plated Hex Cap Screw
10	3	LN #10 N	LN 3/16-24 Zinc Plated Nylon Insert Lock Nut
11	4	LN 3/8 N	LN 3/8-16 Zinc Plated Nylon Insert Lock Nut
12	1	PI .75 CLOSE NIPPLE	Close Nipple Sch 80 3/4
13	1	TL500-100-169	Breather Cap
14	1	TL500-100-171	Sight Gauge
15	1	TL500-100-172	Filter Base
16	1	TL500-100-173	10 Micron Filter
17	1	TL500-100-174	Magnetic Plug
18	1	TL500-100-175	Suction Strainer

Oil in Unit: AW32 SAE10 Hydraulic Oil

FILTER CROSS REFERENCE	
FILTER	REFERENCE
Stauf	SF6520
Gresen	F22001
Fram	P1653-A
Fleetguard	HF6510
Cross	1A9021

# Hydraulic Manifold Connections

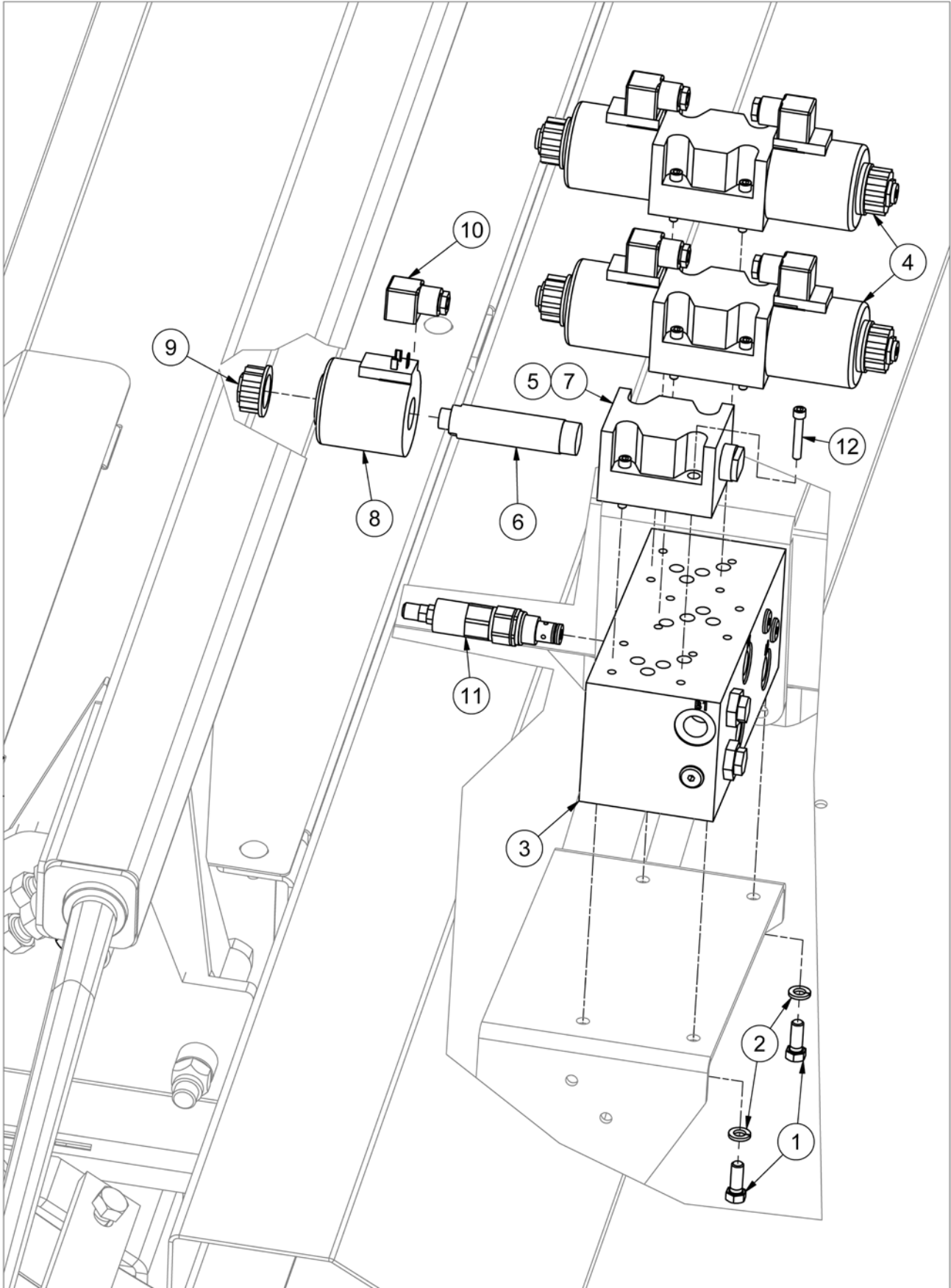




## Hydraulic Manifold Connections

ITEM	QTY	PART NUMBER	DESCRIPTION
1	1	HF 2501-6-6	Hyd Fitting - Male JIC - Male Pipe 90 Degree
2	1	HF 6401-8-6	Hyd Fitting
3	2	HF 6801-6-8	Hyd Fitting - Male JIC - Male ORB 90 Degree
4	1	HF 6801-6-10	Hyd. Fitting -Male JIC - Male ORB 90 Degree Elbow
5	1	HF 6801-8-6	Adapter
6	2	HF 6801-8-8	Hyd. Fitting- 1/2" JIC- 1/2" SAE 90 Deg Elbow
7	1	HF 6804-6-8-6	Hyd Fitting - Male JIC - Male ORB Tee
8	1	TLTLE101-09	HH25-4ATI(4FJXH-6MBX90)25"HCL
9	1	VAL FT-03-2090 NPT	Flow Control Valve

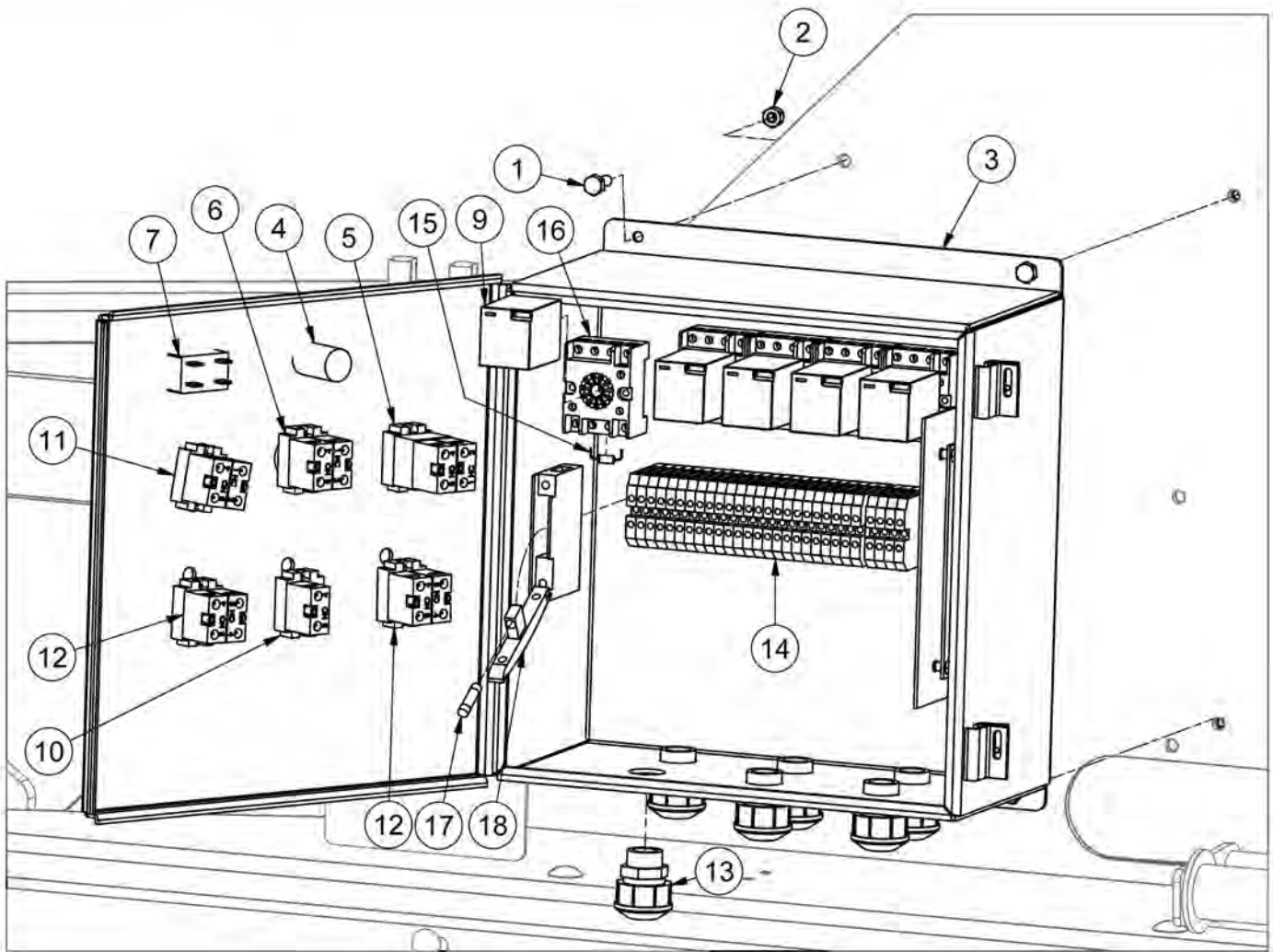
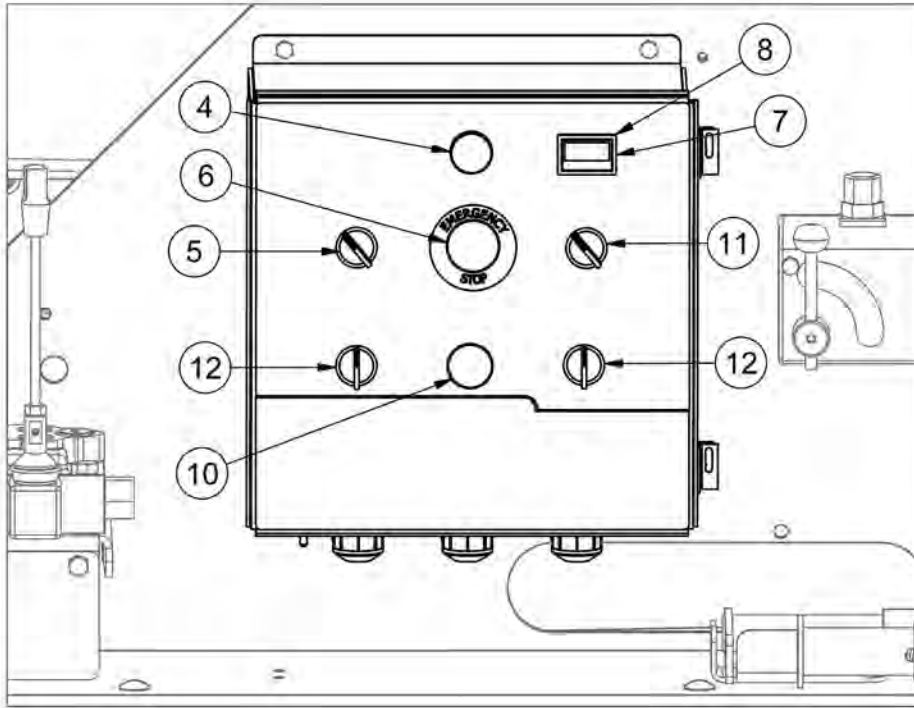
# Hydraulic Manifold



## Hydraulic Manifold

ITEM	QTY	PART NUMBER	DESCRIPTION	NOTE
1	4	HB 3/8-16X1 Z5	Hex Bolt 3/8-16x1 Grade 5 Zinc Plated Hex Cap Screw	
2	4	LW 3/8	LW - 3/8" Zinc Plated Medium Split	
3	1	TL500-100-056	3 Station Custom Manifold	Incl. Items 4-12
4	2	28532	Tandem 12V DC Valve (Complete)	Incl. Items 6-9 (6,8,9 x2 Qty)
5	1	28533	Single 12V DC Valve (Complete)	Incl. Items 6-9
6	1	VAL 25288	Hystar DSG-03 Tube (DC)	
7	1	25825	Valve Body	
8	1	28531	Valve Coil	
9	1	VAL25285	Plastic Nut	
10	5	28534	Tandem Valve DIN Connector	
11	1	VAL MW10A/OS2B	Double Cross Over Relief Cartridge (Solenoid Valve)	Port 5
12	12	HB 1/4-20X1.5 SHCS	Hex Bolt - 1/4-20 x 1 1/2 Socket Head Cap Screw	

## Section 4: Electrical Control Panel

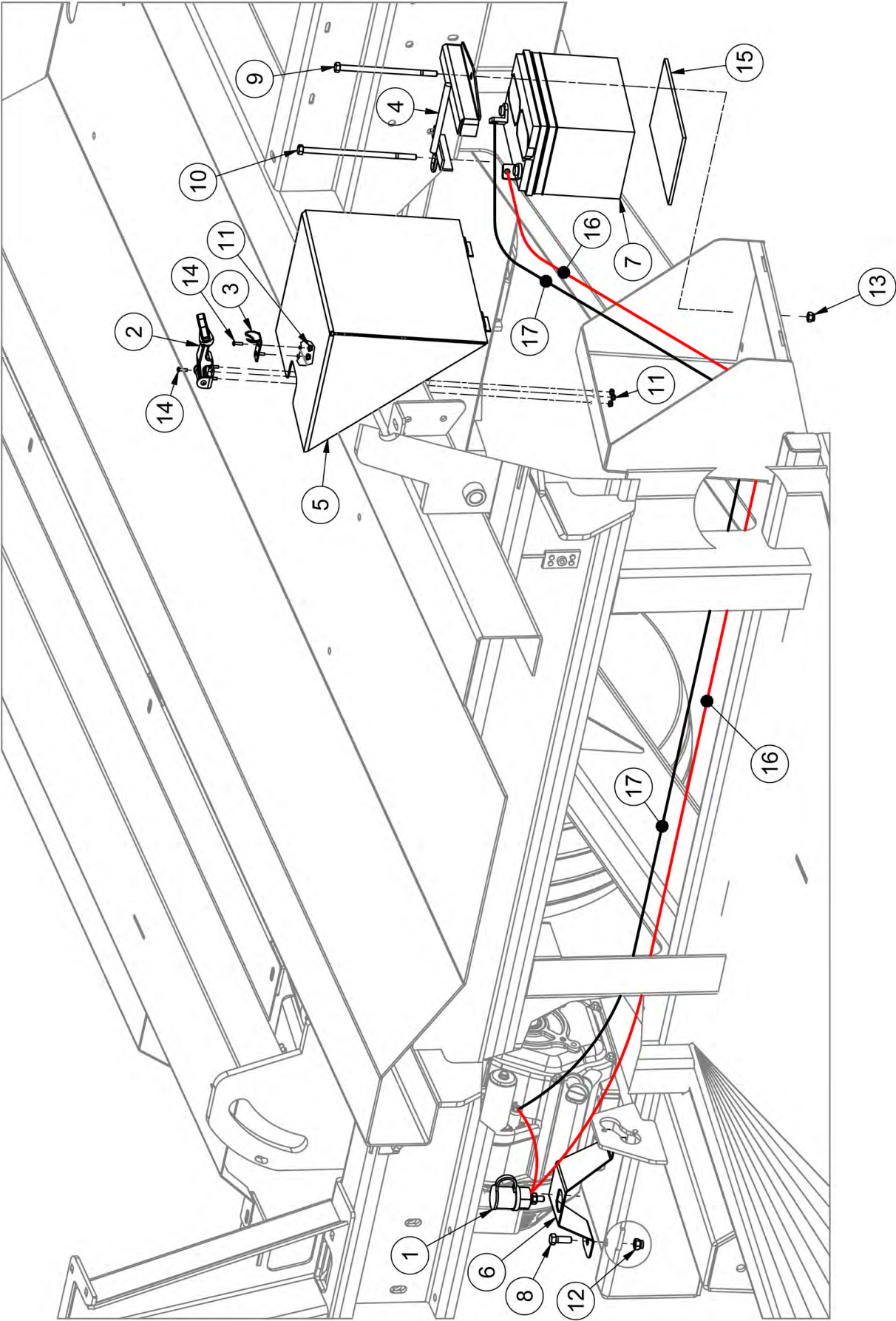


## Control Panel

ITEM	QTY	PART NUMBER	DESCRIPTION	NOTE
1	4	HB1/4-20X0.75Z5	Hex Bolt 1/4-20x3/4 Grade 5 Zinc Plated Hex Cap Screw	
2	4	LN1/4-20NCZ5	LN 1/4-20 Zinc Plated Nylon Insert Lock Nut	
3	1	TLCONTROLPANEL	Control Panel	Items 4-18
4	1	25674	LED Light	
5	1	25762	On/Off Switch	
6	1	25763	Emergency Stop Button	
7	1	44917	Bale Count Screen	
8	1	44918	Bale Count Screen Gasket	
9	5	TL500-100-221	Control Relay	
10	1	TL550-100-075	Rotate Switch	
11	1	TL550-100-076	Man/Auto Switch	
12	2	TL550-100-077	Steering Switch	
13	6	TL550-100-086	PVC Wire Holder	
14	26	TL550-150-084	DIN Rail Terminal Block	
15	2	TL550-150-085	Diode 1N5406 3amp 600V	
16	5	TL5X2-500-158	11 Pin Relay Base	
17	1	TL550-100-079	15 AMP Fuse	
18	1	TL550-150-083	DIN Rail Fuse Holder	



# Battery

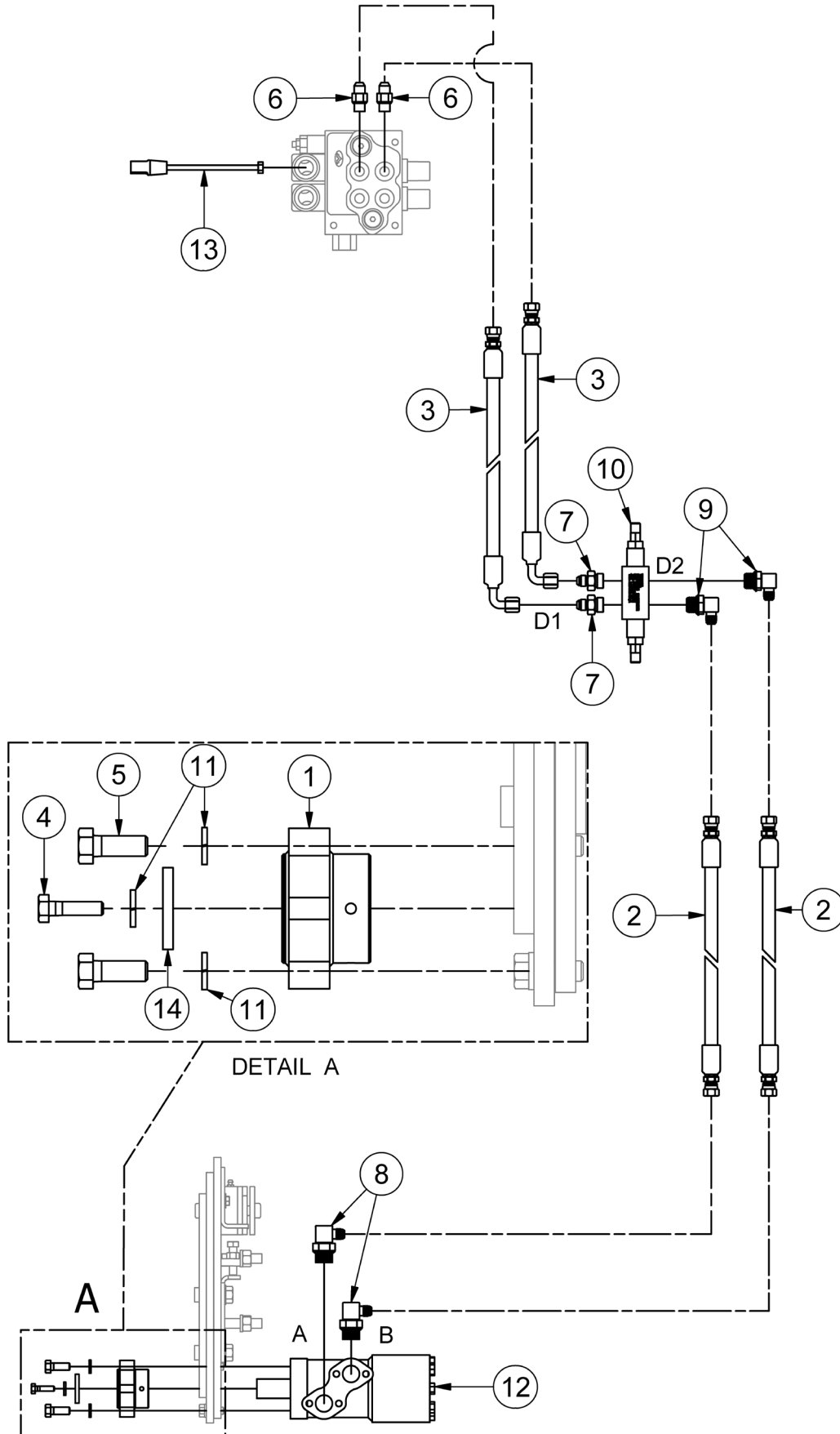


## Battery

ITEM	QTY	PART NUMBER	DESCRIPTION
1	1	30873	Battery Post
2	1	38048	Rubber Latch
3	1	38343	T Strap Brace
4	1	44218	Battery Hold-Down
5	1	44562	Battery Cover
6	1	44590	Battery Jumper Post Mount
7	1	45924	SP-40 Battery
8	2	HB3/8-16X1Z5	Hex Bolt 3/8-16x1 Grade 5 Zinc Plated Hex Cap Screw
9	1	HB5/16-18X6Z5	Hex Bolt 5/16-18x6 Grade 5 Zinc Plated Hex Cap Screw
10	1	HB5/16-18X7Z5	Hex Bolt 5/16-18x7 Grade 5 Zinc Plated Hex Cap Screw
11	5	LN#6-32NCZ5	LN 6-32 Zinc Plated Nylon Insert Lock Nut
12	2	LN3/8-16NCZ5	LN 3/8-16 Zinc Plated Nylon Insert Lock Nut
13	2	LN5/16-18NCZ5	LN 5/16-18 Zinc Plated Nylon Insert Lock Nut
14	5	MS #6X32X0.5	Machine Screw - (Inch)
15	1	TL5X2-007-101	Battery Rubber, 3/16 X 5 X 8
16	1	TL5X2-500-159	Red Battery Cable
17	1	TL5X2-500-160	Black Battery Cable

# Section 5: Options

## TLHPD5000 - Single Power Drive



## TLHPD5000 - Single Power Drive

ITEM	QTY	PART NUMBER	DESCRIPTION
1	1	28772	Power Drive Sprocket for TL5500,TLR5000
2	2	26919	Hose - HH120 - 6AT1(6FJX,6FJX) HCL 120"
3	2	41512	HH80- 6AT1(6FJXH-6FJX90S) HCL80"
4	1	HB 1/4-20X1 Z5	Hex Bolt 1/4-20x1 Grade 5 Zinc Plated Hex Cap Screw
5	4	HB 3/8-16X1 Z5	Hex Bolt 3/8-16x1 Grade 5 Zinc Plated Hex Cap Screw
6	2	HF 6400-6-6	Hyd Fitting
7	2	HF 6400-6-8	Hyd Fitting -Male JIC - Male ORB
8	2	HF 6801-6-10	Hyd. Fitting -Male JIC - Male ORB 90 Degree Elbow
9	2	HF 6801-6-8	Hyd Fitting - Male JIC - Male ORB 90 Degree
10	1	LA-SB2000RV	Relief Valves
11	3	LW 3/8	LW - 3/8" Zinc Plated Medium Split
12	1	VAL 1008	Motor, Hydraulic - (BS208107A)
13	1	VAL 21733	Valvoil SD/5 2 Lever Handle
14	1	TL552404	Motor Plate

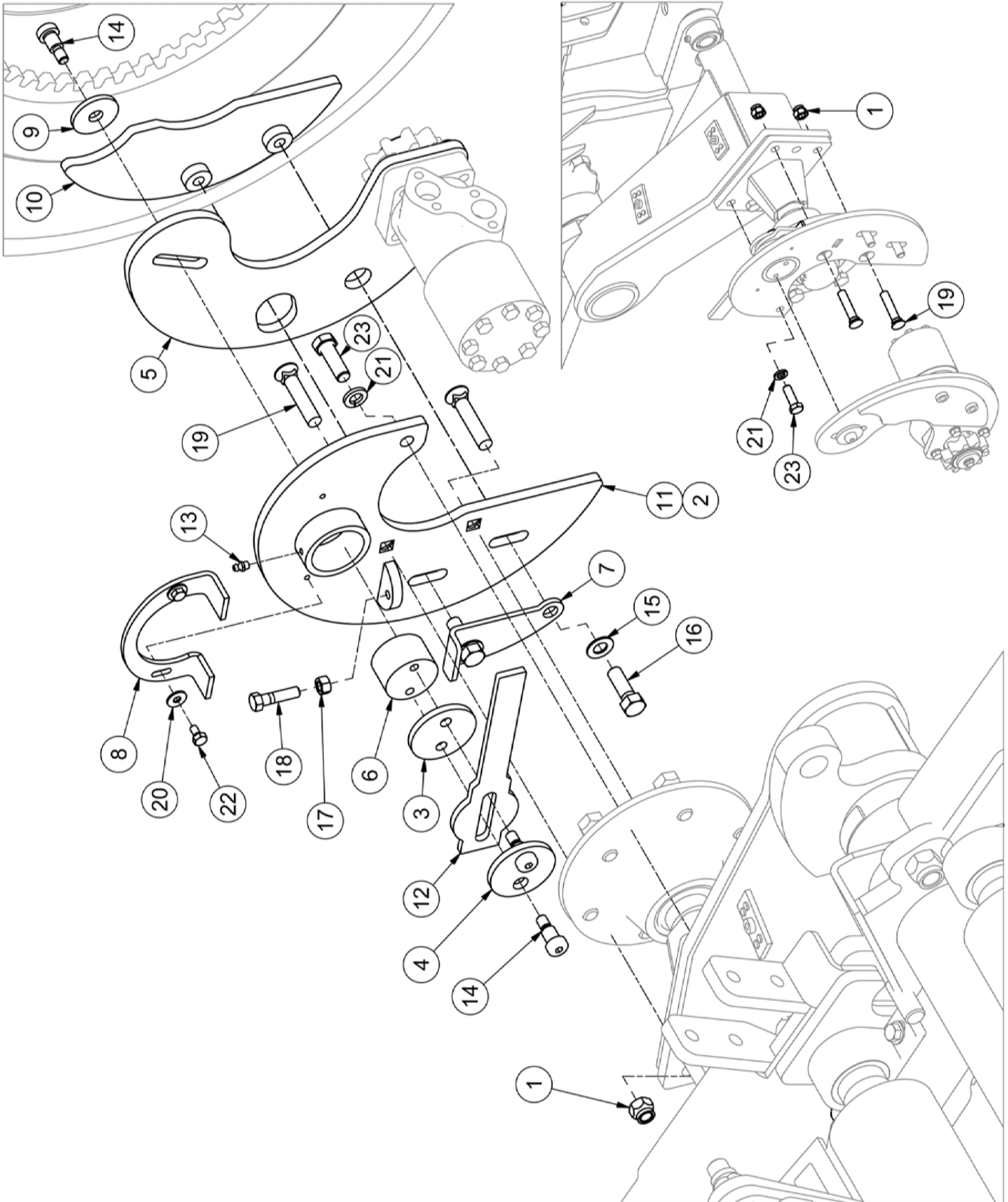




## TLHPDD5000 - Dual Power Drive

ITEM	QTY	PART NUMBER	DESCRIPTION	NOTE
1	1	26919	Hose - HH120 - 6AT1(6FJX,6FJX) HCL 120"	
2	2	28772	Power Drive Sprocket for TL5500,TLR5000	
3	2	41512	HH80- 6AT1(6FJXH-6FJX90S) HCL80"	
4	1	44903	Hose - HH117 6AT1 (6FJXH-6FJXH) HCL 117"	
5	1	44904	Hose - HH160 6AT1 (6FJXH-6FJXH) HCL 160"	
6	2	HB 1/4-20X1 Z5	Hex Bolt 1/4-20x1 Grade 5 Zinc Plated Hex Cap Screw	
7	8	HB 3/8-16X1 Z5	Hex Bolt 3/8-16x1 Grade 5 Zinc Plated Hex Cap Screw	
8	2	HF 6400-6-6	Hyd Fitting	
9	2	HF 6400-6-8	Hyd Fitting -Male JIC - Male ORB	
10	4	HF 6801-6-10	Hyd. Fitting -Male JIC - Male ORB 90 Degree Elbow	
11	2	HF 6801-6-8	Hyd Fitting - Male JIC - Male ORB 90 Degree	
12	1	LA-SB2000RV	Relief Valves	
13	10	LW 3/8	LW - 3/8" Zinc Plated Medium Split	
14	1	TL109-100-355	Power Drive Assembly RH	See Pg.5-6
15	2	VAL 1008	Motor, Hydraulic - (BS208107A)	
16	1	VAL 21733	Valvoil SD/5 2 Lever Handle	
17	2	TL552404	Motor Plate	

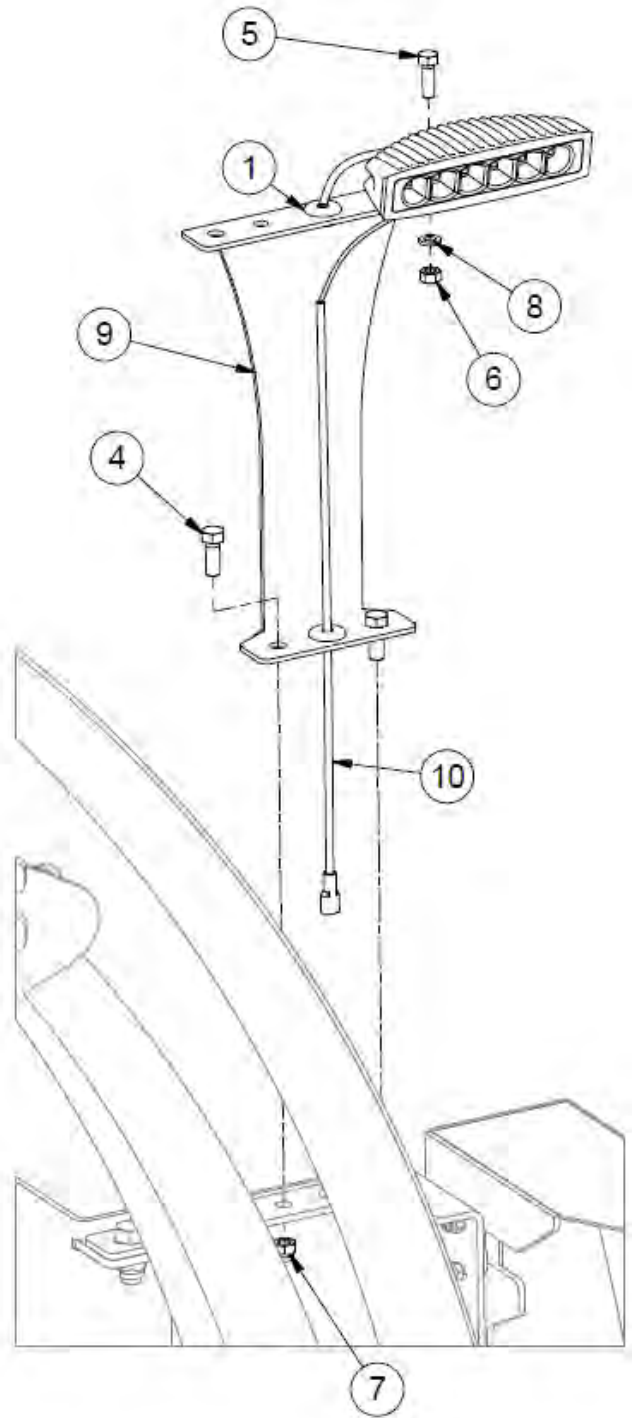
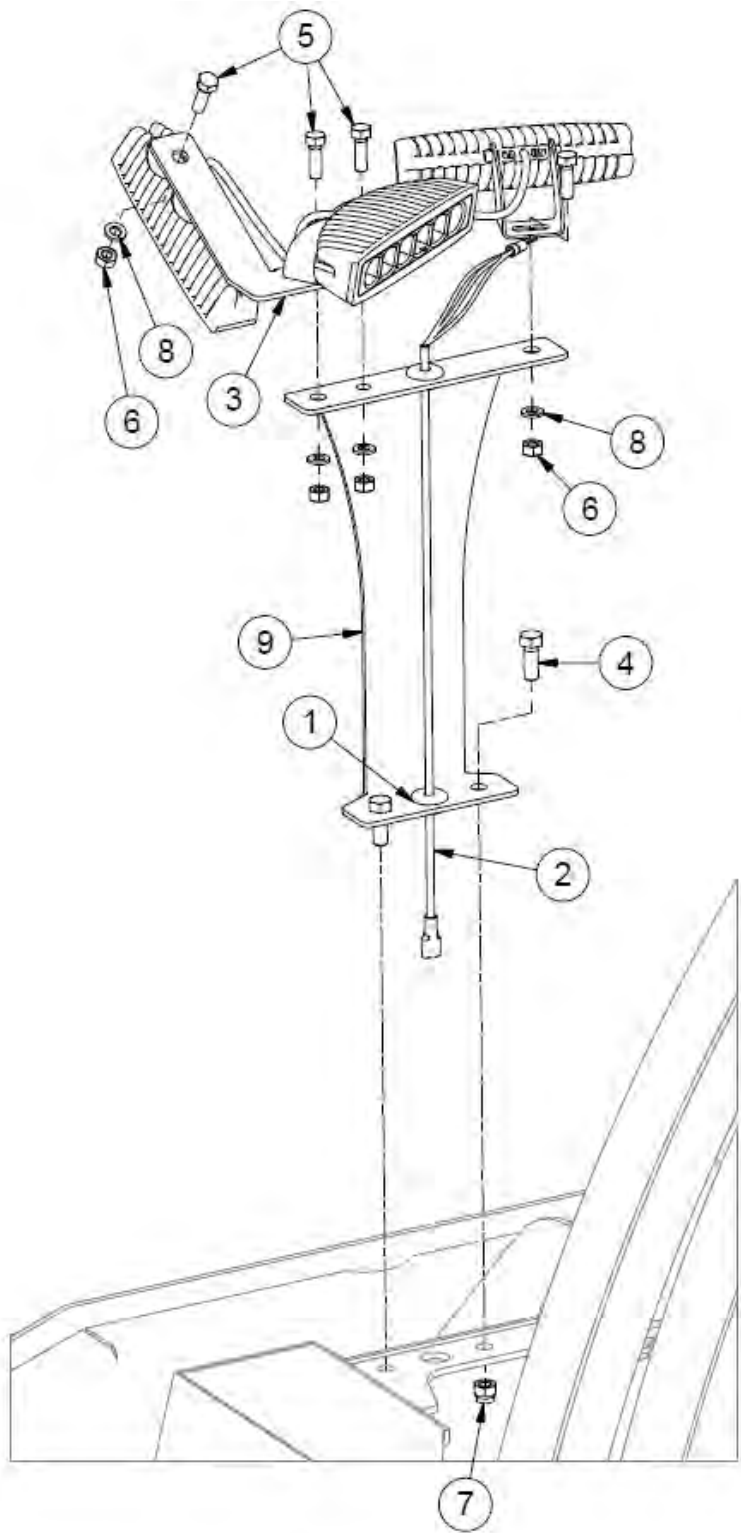
# TL109-100-355 - Dual Power Drive Bracket



## TL109-100-355 - Dual Power Drive Bracket

ITEM	QTY	PART NUMBER	DESCRIPTION	NOTE
1	2	LN 1/2 N	LN 1/2-13 Zinc Plated Nylon Insert Lock Nut	
2	1	TL109-100-355	Power Drive Assembly	Incl. Items 3-23
3	1	WHEEL20121	Inside Handle Washer	
4	1	WHEEL2012	Outside Handle Washer	
5	1	25116	Drive Engaging Plate	
6	1	WHEEL9	Eccentric	
7	1	25119	Outside Plate Guide	
8	1	25121	Handle Lock	
9	1	WHEEL2013	Inside Cam Washer	
10	1	25123	Bolt-on Plate	
11	1	25124	Plate - Power Drive Weldment	
12	1	25122	Handle	
13	1	GR 1/4 X 28	Grease Fitting 1/4-28 Straight Standard Zerk	
14	3	HB 1/2X5/8 SS	Socket Head Shoulder Screws - 1/2 Shldr x 5/8 x 3/8-16	
15	2	FW 1/2	Flatwasher - 1/2" Zinc Plated USS	
16	2	HB 1/2-13X1.5 Z5	Hex Bolt 1/2-13x1 1/2 Grade 5 Zinc Plated Hex Cap Screw	
17	1	HN 3/8	Hex Nut 3/8"-16 Grade 5 Zinc Plated Finished	
18	1	HB 3/8-16X1.5 Z5	Hex Bolt 3/8-16x1 1/2 Grade 5 Zinc Plated Hex Cap Screw	
19	2	PB 1/2-13X2.5	Plow Bolts - 1/2-13 x 2 1/2 Flat Head Gr.5	
20	2	FW 1/4	Flatwasher - 1/4" Zinc Plated USS	
21	3	LW 1/2	LW - 1/2" Zinc Plated Medium Split	
22	2	HB 1/4-20X0.5 Z5	Hex Bolt 1/4-20x1/2 Grade 5 Zinc Plated Hex Cap Screw	
23	1	HB 1/2-20 X1.5 YZ8	Hex Bolt 1/2-20x1 1/2 Grade 8 Zinc Hex Cap Screw	

# TLNWLKLED - LED Night Light Kit

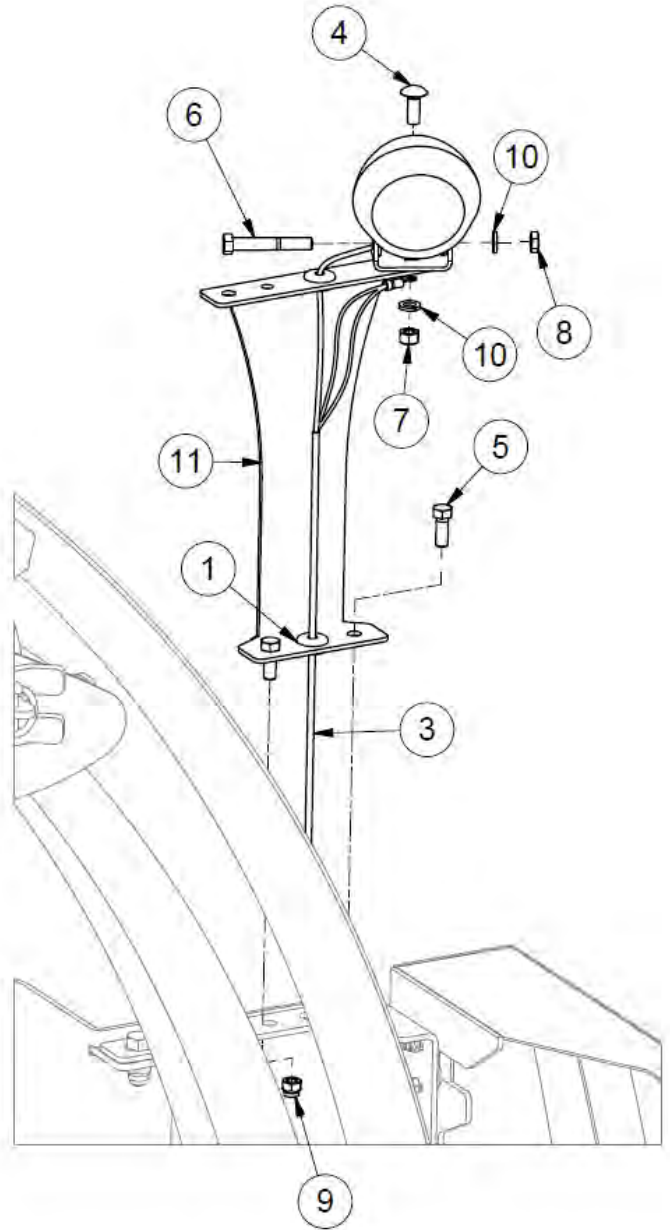
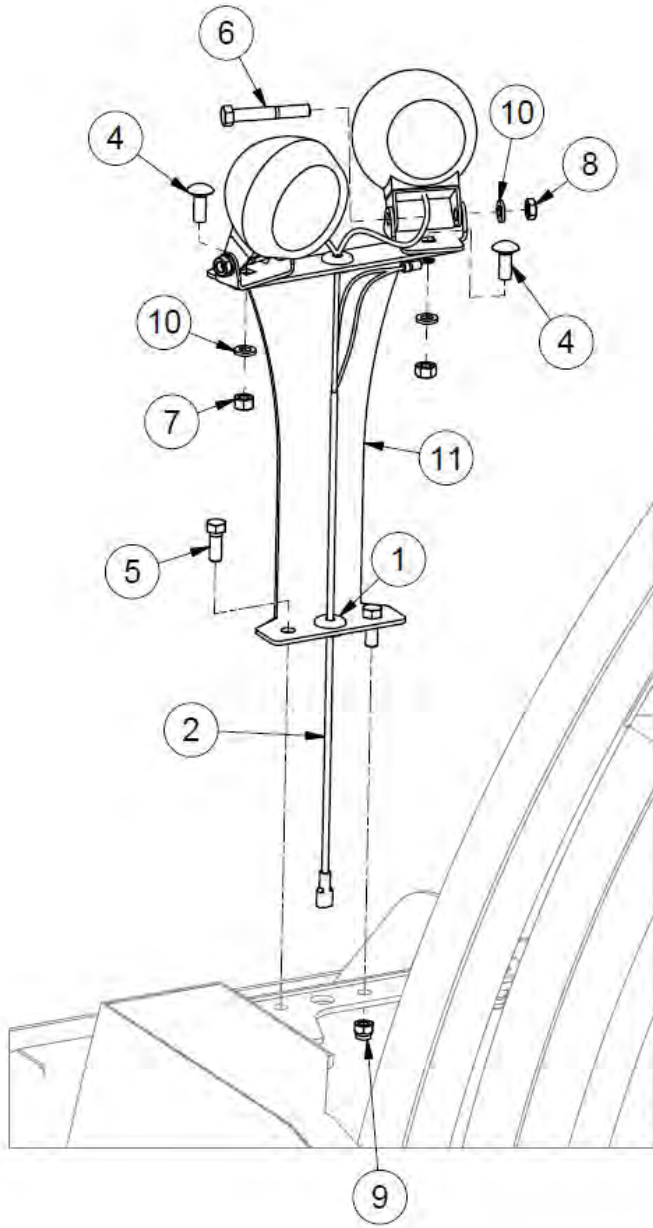


## TLNWLKLED - LED Night Light Kit

ITEM	QTY	PART NUMBER	DESCRIPTION	NOTE
1	4	30862	Grommet for Night Lights	
2	1	43952	TLNWLKLED Triple Wiring Harness	Inc Lights
3	1	44864	Control Box Light Bracket	
4	4	HB 3/8-16X1 Z5	Hex Bolt 3/8-16x1 Grade 5 Zinc Plated Hex Cap Screw	
5	5	HB 5/16-18X1 Z5	Hex Bolt 5/16-18x1 Grade 5 Zinc Plated Hex Cap Screw	
6	5	HN 5/16	Hex Nut 5/16"-18 Grade 5 Zinc Plated Finished	
7	4	LN 3/8 N	LN 3/8-16 Zinc Plated Nylon Insert Lock Nut	
8	5	LW 5/16	LW - 5/16" Zinc Plated Medium Split	
9	2	TL5X2-100-201	Light Bracket	
10	1	43953	TLNWLKLED Single Wiring Harness	Inc Light



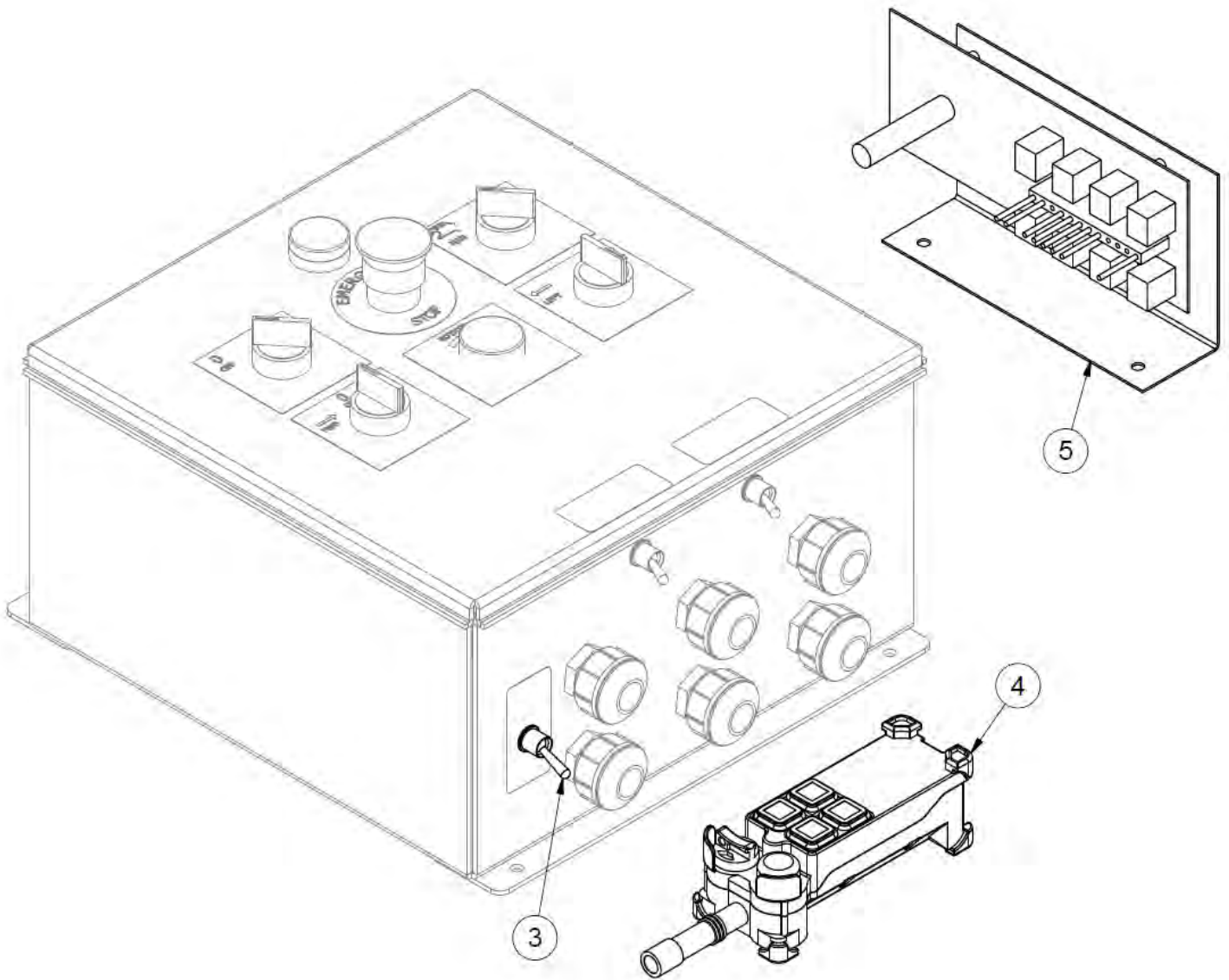
# TLNWLK - Halogen Night Light Kit



## TLNWLK - Halogen Night Light Kit

ITEM	QTY	PARTNUMBER	DESCRIPTION	NOTE
1	4	30862	Grommet for Night Lights	
2	1	43950	TLNWLK Twin Harness	Inc Lights
3	1	43951	TLNWLK Single Harness	Inc Light
4	3	CB 3/8-16 X1 Z5	Carriage Bolt - 3/8-16 x 1" Grade 5 Zinc	
5	4	HB 3/8-16X1 Z5	Hex Bolt 3/8-16x1 Grade 5 Zinc Plated Hex Cap Screw	
6	3	HB 3/8-24X2.5 Z5	Hex Bolt 3/8-24x2 1/2 Grade 5 Zinc Plated Hex Cap Screw	
7	3	HN 3/8	Hex Nut 3/8"-16 Grade 5 Zinc Plated Finished	
8	3	HN 3/8 JAM	Hex Nut - 3/8-24 Zinc Plated Hex Jam Nut	
9	4	LN 3/8 N	LN 3/8-16 Zinc Plated Nylon Insert Lock Nut	
10	6	LW 3/8	LW - 3/8" Zinc Plated Medium Split	
11	2	TL5X2-100-201	Light Bracket	

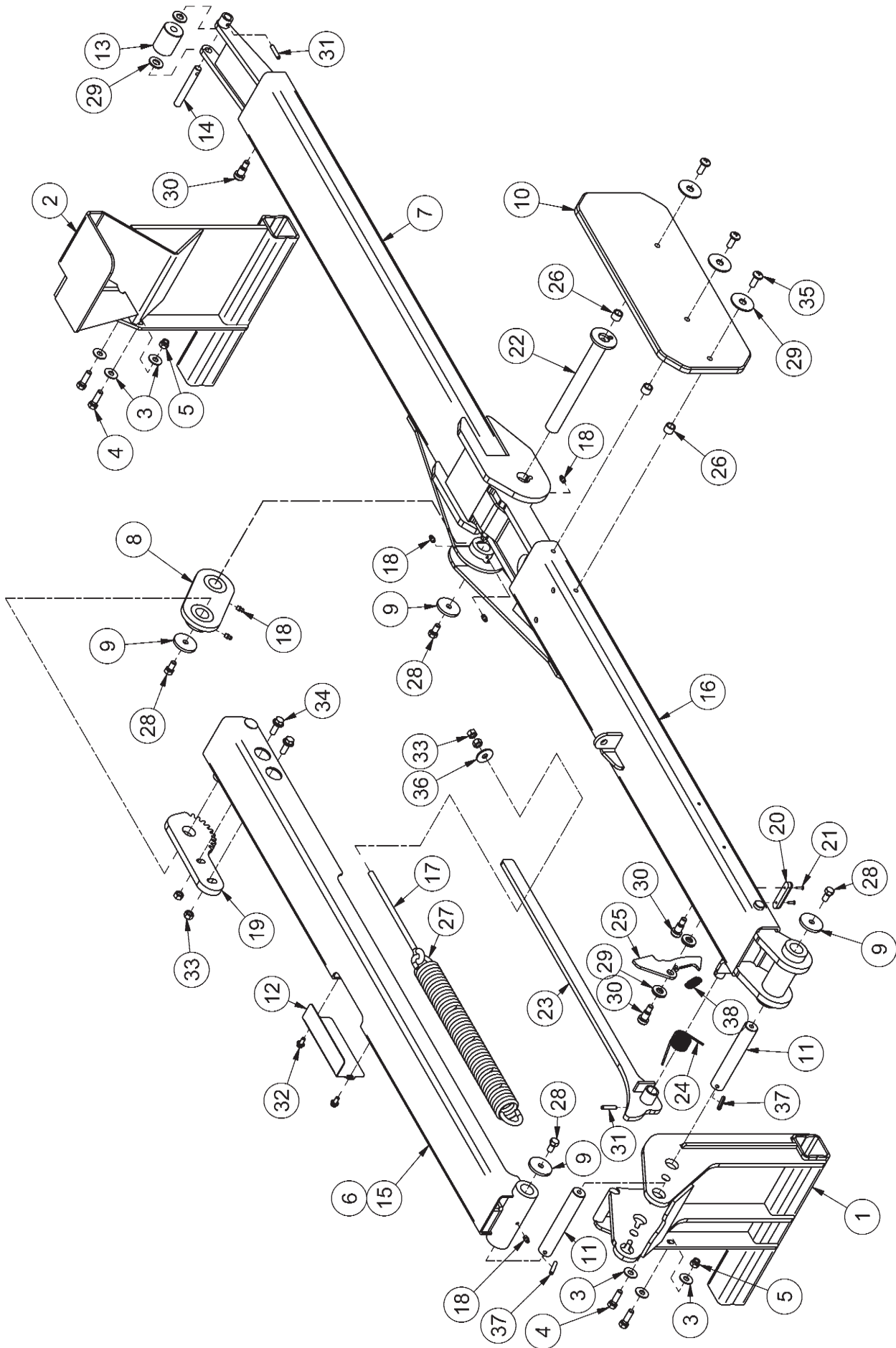
# TLRSSKX2HD(E) - Remote Control Kits



## TLRSKKX2HD(E) - Remote Control Kits

ITEM	QTY	PART NUMBER	DESCRIPTION	NOTE
1	1	TLRSSKX2HD	Remote Steering & Shutdown Kit X2 Series	Items 4-5
2	1	TLRSSKX2HDE	Remote Steering & Shutdown Kit X2 Series (Includes Engine Start)	Items 3-5
3	1	31727	Remote Start Stop Kit Wiring Harness for Balewrapper	
4	1	TLHHCX2HD	Hand Held Remote (Orange)	
5	1	TLR SSKX2HDL	Receiver Unit	

# TLMPO-6000 - Bale Dispatch Arm

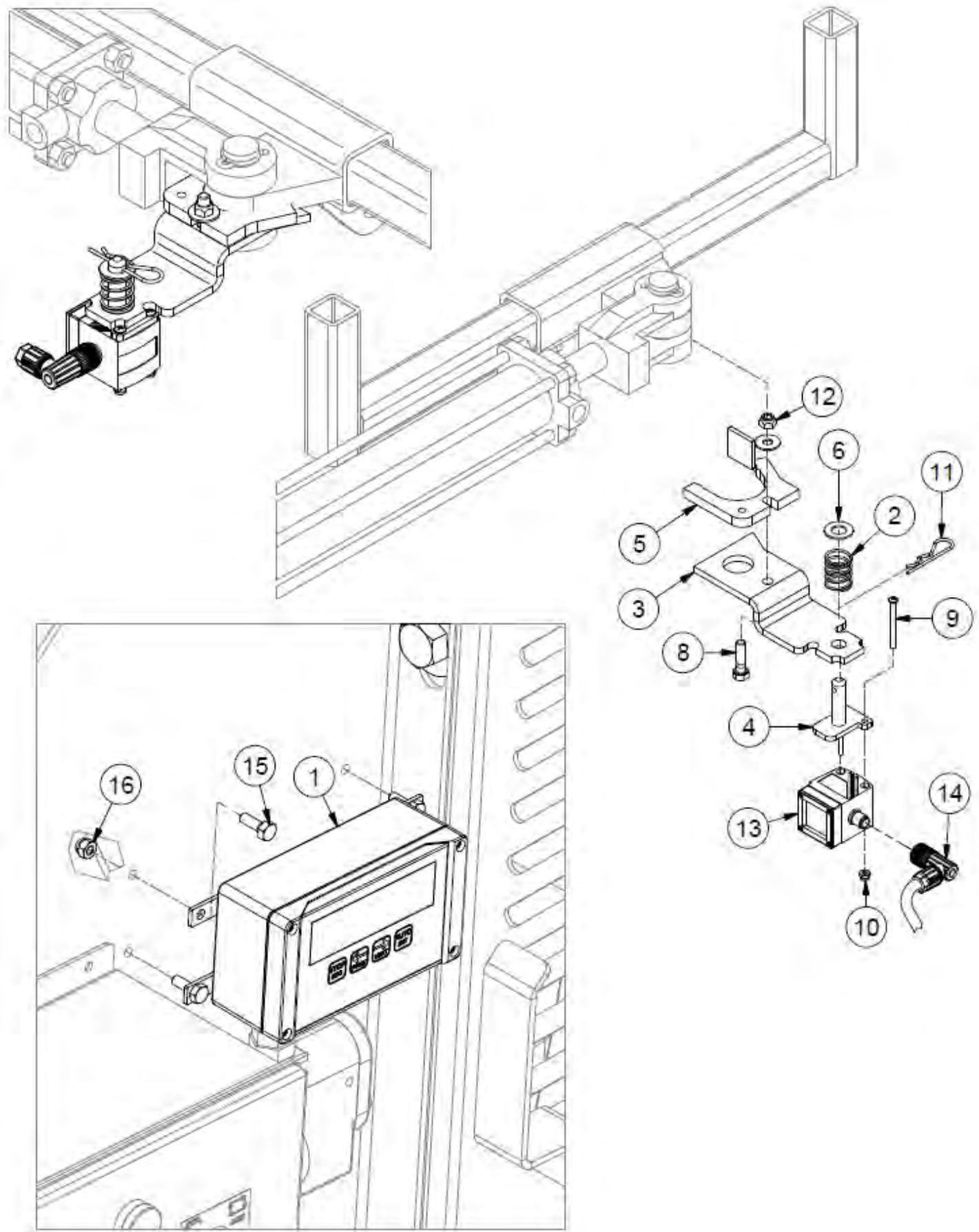




## TLMPO-6000 - Bale Dispatch Arm

ITEM	QTY	PART NUMBER	DESCRIPTION	NOTE
1	1	41320	Final Pushoff Mount	
2	1	41323	Final Pushoff Pocket	
3	8	FW 3/8	Flatwasher - 3/8" Zinc Plated USS	
4	4	HB 3/8-16X1.25 Z5	Hex Bolt 3/8-16x1 1/4 Grade 5 Zinc Plated Hex Cap Screw	
5	4	LN 3/8 N	LN 3/8-16 Zinc Plated Nylon Insert Lock Nut	
6	1	39683	Dispatch Arm Assembly	Items 7-38
7	1	31188	5000 Pushoff Right Arm	
8	1	31300	5000 Pushoff Arm Link	
9	4	31303	Pin Endcap	
10	1	31302	Rubber Pushoff Pad	
11	2	31301	Pushoff Pin	
12	1	31367	Spring Tension Access Cover	
13	1	31369	Last Pushoff Roller	
14	1	31385	Pushoff Roller Pivot Pin	
15	1	31388	Folding Pushoff Guide Arm	
16	1	31186	Folding Pushoff Left Arm	
17	1	EB3/8-16X6.0	Eye Bolt - 3/8-16 X 6" Shank Zinc Plated Turned	
18	7	GR 1/4 X 28	Grease Fitting 1/4-28 Straight Standard Zerk	
19	1	31192	Top Pushoff Arm Sprocket	
20	1	PP00685	Rubber Stop	
21	2	PP00686	Wood Screw,#6 x5/8" Roberts end	
22	1	31535	Pushoff Center Pivot Pin	
23	1	33231	Folding Pushoff Handle	
24	1	33230	Dispatch Arm Torsion Spring	
25	1	36690	Folding Pushoff Latch	
26	3	36942	Rubber Pad Spacer	
27	1	31395	Spring for Last Pushoff System TLR5000	
28	4	HB 3/8-16X0.75 Z5	Hex Bolt 3/8-16x3/4 Grade 5 Zinc Plated Hex Cap Screw	
29	9	FW 1/2	Flatwasher - 1/2" Zinc Plated USS	
30	3	SHSS1/2X5/8X3/8-16Z	Socket Head Shoulder Screws - 1/2 Shldr x 5/8 x 3/8-16	
31	2	RP 1/4 x 1 1/4	Pin - Roll Pin 1/4 x 1 1/4	
32	2	HBC1/4X0.5	Hex Bolt Cerrated 1/4-20 x 1/2 Zinc Flange Bolt	
33	4	HN3/8-16CZ5	Hex Nut 3/8"-16 Grade 5 Zinc Plated Finished	
34	2	HBC3/8X1	Hex Bolt Cerrated 3/8-16 x 1 Zinc Flange Bolt	
35	3	MS 3/8X16X1	Machine Screw - (Inch)	
36	1	FW 3/8	Flatwasher - 3/8" Zinc Plated USS	
37	2	RP 1/4 x 1 1/2	Pin - Roll Pin 1/4 x 1 1/2	
38	1	TL500-100-062	Extension Spring	

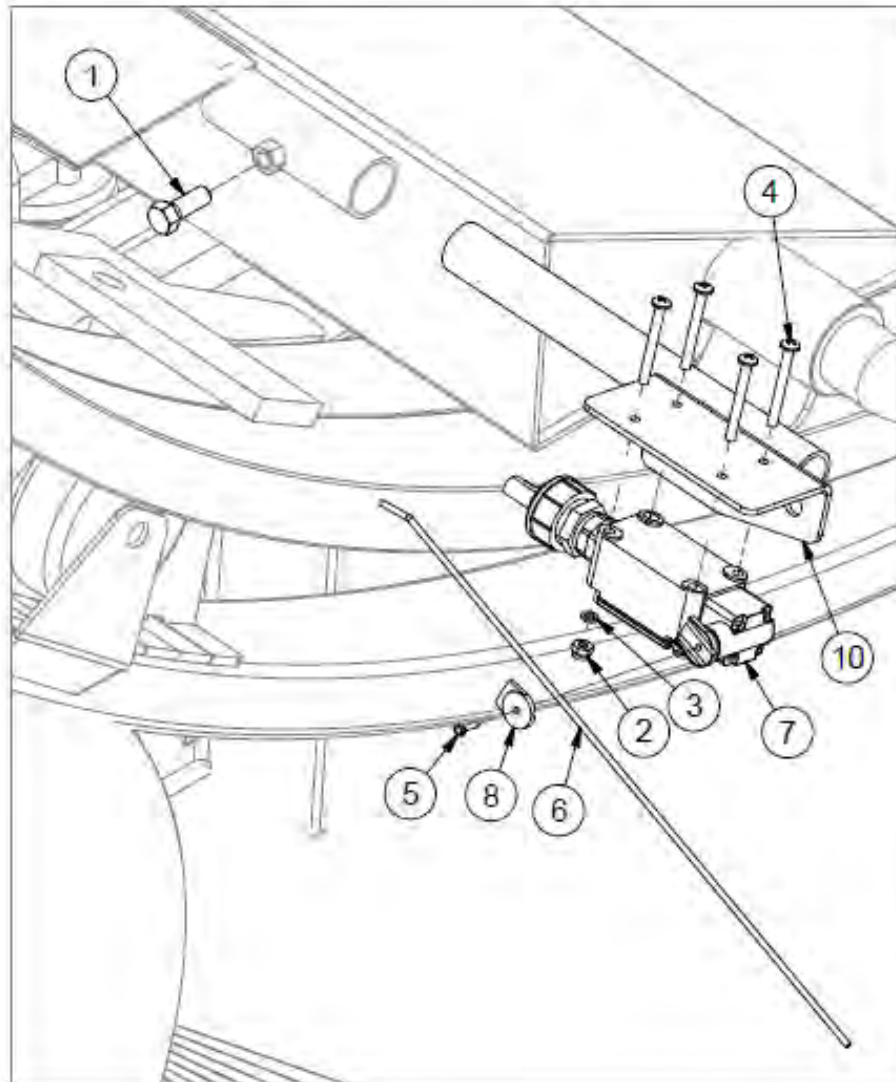
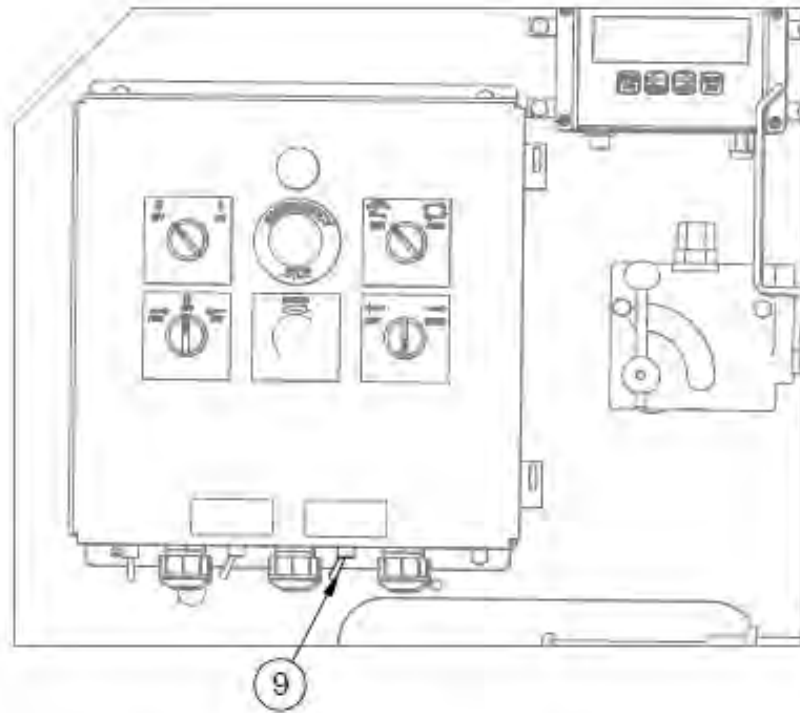
# TLGS - Laser Guidance System



## TLGs - Laser Guidance System

ITEM	QTY	PART NUMBER	DESCRIPTION
1	1	31380	Guidance System Controller
2	1	27566	Spring Compression .97 OD x 2.0 Long
3	1	39367	Laser Pin Bracket
4	1	39372	Pivot Bracket
5	1	40846	Stiffener Plate
6	1	FW 1/2	Flatwasher - 1/2" Zinc Plated USS (1096)
7	1	FW 5/16	Flatwasher - 5/16" Zinc Plated USS (3840)
8	1	HB 5/16-18X1.1/4 Z5	Hex Bolt - 5/16"-18 x 1 1/4" Grade 5 Zinc Plated Hex Cap Screw
9	2	HB 8-32X32 Z5	Hex Bolt - #8-32 x 2 Zinc Finish Flat Socket Cap Screw
10	2	HN 8	Hex Nut #8-32 Zinc
11	1	HP .125 X 1.5	Hair Pin
12	1	LN 5/16	Center Locknuts
13	1	39387	Wrapper Guiding System Sensor
14	1	40521	Laser Guidance System Power Cable
15	4	HB 1/4-20X0.75 Z5	Hex Bolt 1/4-20x3/4 Grade 5 Zinc Plated Hex Cap Screw
16	4	LN 1/4 N	LN 1/4-20 Zinc Plated Nylon Insert Lock Nut

## TLPSSK - Plastic Sensor Shutdown Kit

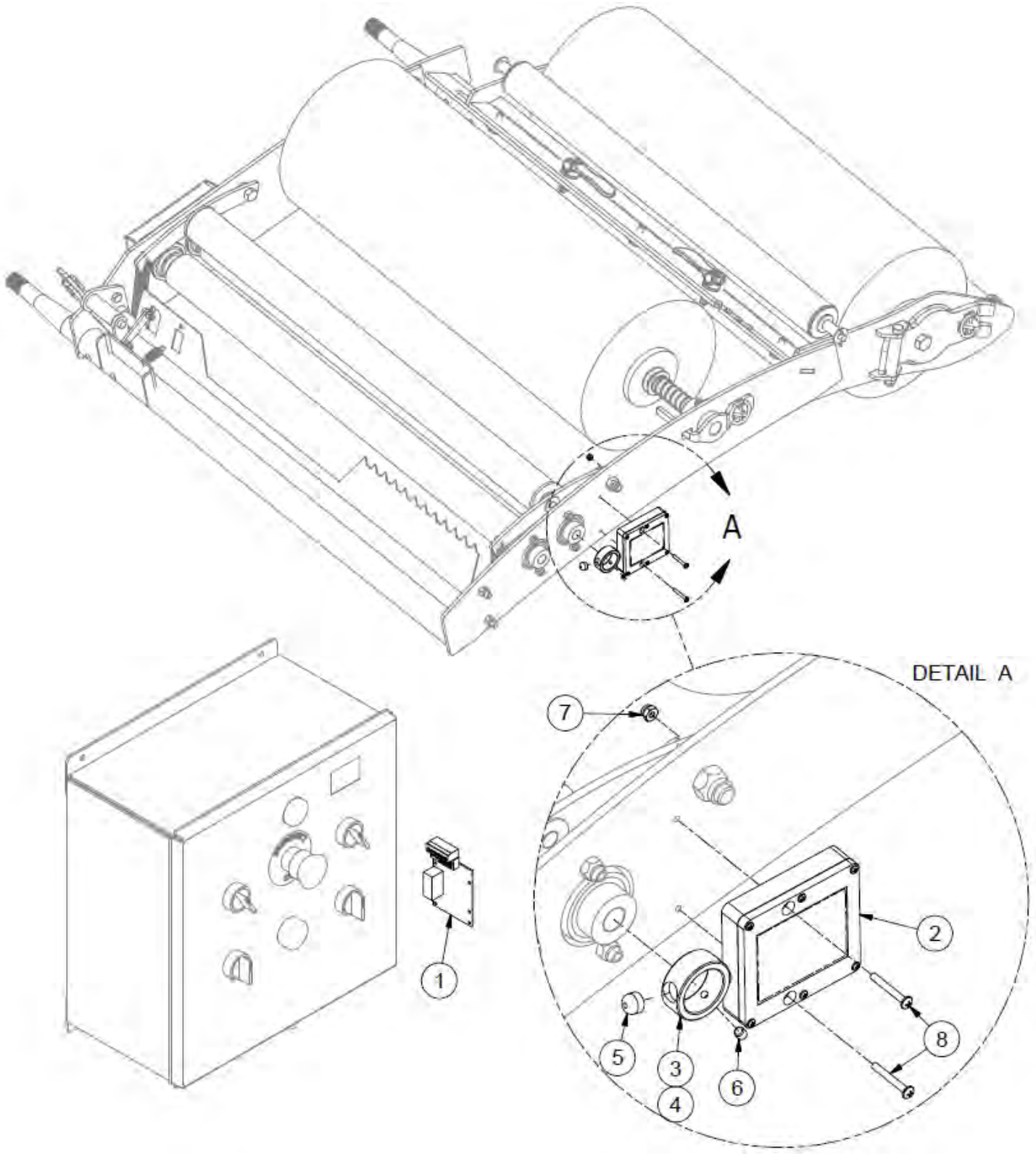


## TLPSSK - Plastic Sensor Shutdown Kit

ITEM	QTY	PART NUMBER	DESCRIPTION
1	1	HB 3/8-16X1 Z5	Hex Bolt 3/8-16x1 Grade 5 Zinc Plated Hex Cap Screw
2	4	LN #10 F	Center Locknuts (3/16-32) 2-Way Fine Thread
3	4	LW No.10	LW - 3/16" Zinc Plated Medium Split
4	4	MS #10X32X1.75	Machine Screw - (Inch)
5	1	MS 4 X 0.5 SDS	Machine Screw - 1/8 x 1/2 Hex Washer Head Self Drilling Screw Zinc
6	1	30895	Film Sensor Wire
7	1	TL109-100-348	Film Sensor Limit Switch
8	1	TL550-100-082	Wire Arm Clamp
9	1	TL550-200-235	Toggle Switch
10	1	TLFSB2007	Film Sensor Mounting Bracket



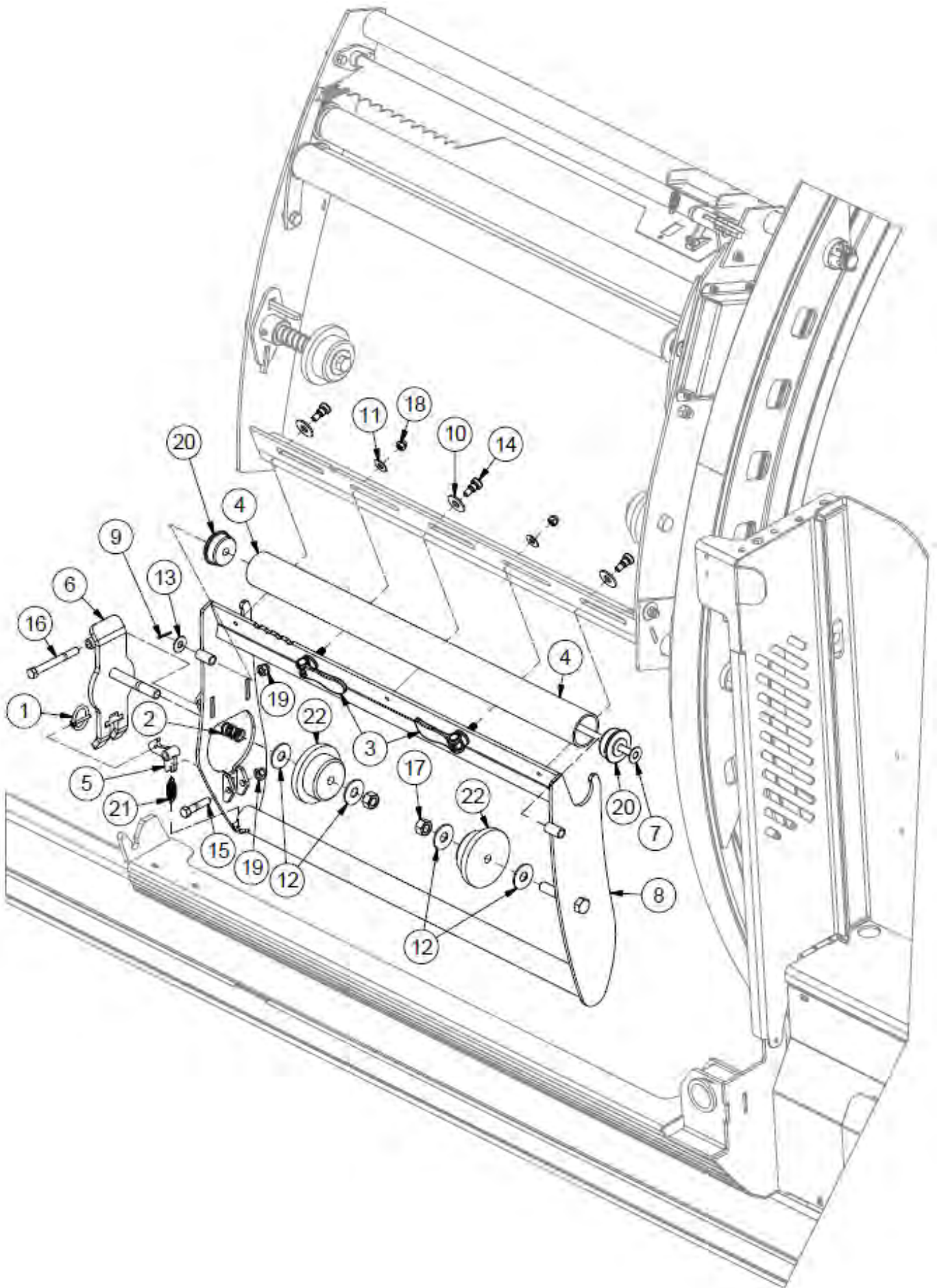
# TLPSSKW - Plastic Sensor Shutdown Kit



## TLPSSKW - Plastic Sensor Shutdown Kit

ITEM	QTY	PART NUMBER	DESCRIPTION	NOTE
1	1	41969	Film Sensor Reciever Board	
2	2	41970	Film Sensor Transmitter Board	
3	2	42697	Film Sensor Bushing Assembly	Inc Items 4 - 6
4	2	42698	Film Sensor Bushing	
5	4	42699	1/2" Rare Earth Magnet	
6	2	SS 14X14	Allan Head Set Screw, Cup Point Set Screw 1/4-20 x 1/4	
7	2	LN #8 N	LN 3/16-32 Zinc Plated Nylon Insert Lock Nut	
8	2	MS #8X32X1.25	Machine Screw - (Inch)	

# TLTWKOFF - Offset Twin Wrap Kit



## TLTWKOFF - Offset Twin Wrap Kit

ITEM	QTY	PART NUMBER	DESCRIPTION	NOTE
	1	TLTWKOFF	Complete Offset Twin Wrap Kit	Inc. 2 of 44277
	2	44277	Offset Twin Wrap Assembly	Items 1-22 (Qty for 1 side only)
1	1	25680	Lynch Pin 3/16 X 1.5	
2	1	41916	Twin Wrap Spring	
3	2	41927	Cam Handle	
4	1	44279	Plastic Roller	
5	1	44280	Latch Hook	
6	1	44281	Spool Latch	
7	1	44282	Twin Wrap Roller Pin	
8	1	44283	Twin Wrap Frame	
9	1	CP 18X1	Pin, Cotter - 1/8" X 1.0"	
10	3	FW 1/2	Flatwasher - 1/2" Zinc Plated USS	
11	2	FW 3/8	Flatwasher - 3/8" Zinc Plated USS	
12	4	FW 5/8	Flatwasher - 5/8" Zinc Plated USS	
13	1	FW 7/16	Flatwasher - 7/16" Zinc Plated USS	
14	3	HB 1/2X3/8 SS	Socket Head Shoulder Screws - 1/2 Shldr x 3/8 x 3/8-16	
15	1	HB 7/16-14X2 Z5	Hex Bolt 7/16-14x2 Grade 5 Zinc Plated Hex Cap Screw	
16	1	HB 7/16-14X4 Z5	Hex Bolt 7/16-14x4 Grade 5 Zinc Plated Hex Cap Screw	
17	2	HN 5/8	Hex Nut 5/8"-11 Grade 5 Zinc Plated Finished	
18	2	LN 3/8 N	LN 3/8-16 Zinc Plated Nylon Insert Lock Nut	
19	2	LN 7/16 N	LN 7/16-14 Zinc Plated Nylon Insert Lock Nut	
20	2	TL500-100-021	Plastic Roller Cap	
21	1	TL500-100-062	Trigger Spring	
22	2	TL550-200-012	Plastic Wrap Spool	

## TLRF - Suspension Axle



## TLRF - Suspension Axle

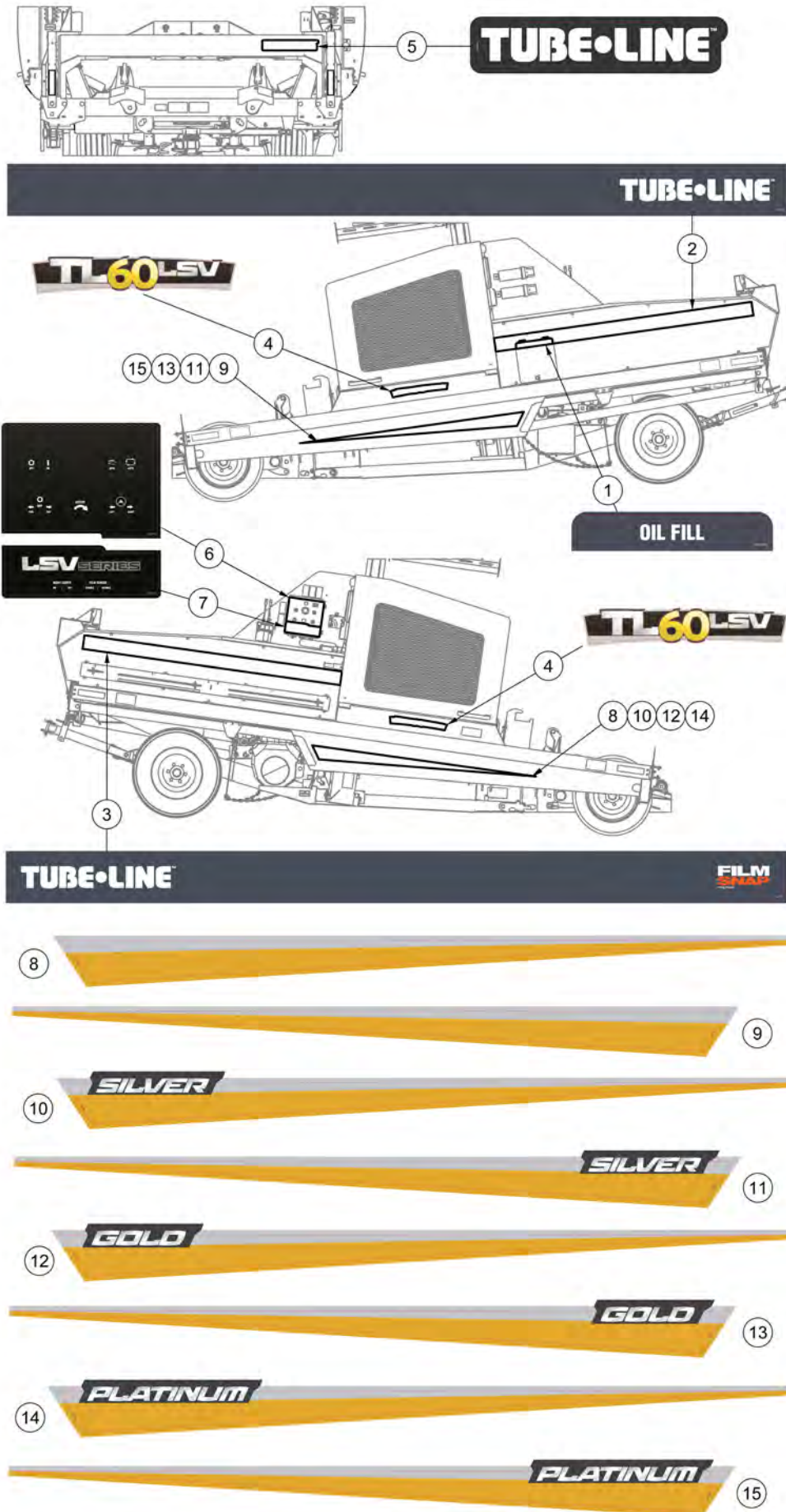


## Safety Decals

ITEM	QTY	PART NUMBER	DESCRIPTION	NOTE
1	1	DE23941	Canada/USA Patent Decal	See pg.I
2	1	DE23959	Bale Settings Correct and Incorrect Decal	
3	1	DE23968	Roller Bed Decal	
4	1	DE23971	Wrapping and Storage Decal	
5	1	DE30871	Oil Fill Cap Decal	
6	1	DE30879	Remote Enclosed Decal	
7	1	DE30880	Charging Terminal Decal	
8	2	DE30881	Tape Holder Decal	
9	1	DE41713H	ISO Decal - High Pressure Fluid Horizontal	
10	1	DE41714S	ISO Decal - Read Operator's Manual	
11	1	DE41715S	ISO Decal - Remove Key Before Repair	
12	2	DE41921	ISO Decal - Do Not Stand on Rollers	
13	1	DE41924	ISO Decal - TL6000 Transport Lock Arm	
14	1	DE41925	ISO Decal - Hoop Wheel Entanglement	
15	1	DE41932	Right Bale Saddle Decal	
16	1	DE41933	Left Bale Saddle Decal	
17	1	DE41935H	ISO Decal - Transport Speed Limit	
18	1	DE42784S	ISO Decal - Read OM Decal Section	
19	2	DE43049	ISO Decal - Wheel Crush	
20	1	DE43494	Limit Switch Hoop Start	
21	1	DE43682	Last Pushoff Return Decal	
22	1	DE43873S	ISO Decal - Engine Start in MAN	
23	1	DE43874S	ISO Decal - Panel OFF Before Boosting	
24	1	DE43875H	ISO Decal - Hand Crush	
25	1	DECANADA	Decal Made In Canada	See pg.I

# Model Decals

NOTE: Decals not to scale.














## Model Decals

ITEM	QTY	PART NUMBER	DESCRIPTION	NOTE
	1	DE44847	TL60LSV Model Decal Kit	Incl. Items 1-5
1	1	DE43763	TL60 Oil Fill Decal	
2	1	DE43764	TL60 Right Side Decal	
3	1	DE43765	TL60 Left Side Decal	
4	2	DE43768	TL60LSV Model Decal	
5	1	DE44845	2019 Tubeline Decal	
6	1	DE44827	LSV Control Panel Top Decal	
7	1	DE44860	LSV Control Panel Bottom Decal	
8	1	DE44867	Standard Brand Left Decal	
9	1	DE44868	Standard Brand Right Decal	
10	1	DE44852	Silver Brand Left Decal	
11	1	DE44853	Silver Brand Right Decal	
12	1	DE44854	Gold Brand Left Decal	
13	1	DE44855	Gold Brand Right Decal	
14	1	DE44856	Platinum Brand Left Decal	
15	1	DE44857	Platinum Brand Right Decal	



# Imperial Torque Value Chart

## UNIFIED INCH BOLT AND CAP SCREW TORQUE VALUES

SAE Grade and Head Markings	1 or 2 <sup>b</sup>	5	5.1	5.2	8	8.2
	NO MARK 					
SAE Grade and Nut Markings	2	5		8		
	NO MARK 					

T81162 -10-041101

Size	Grade 1				Grade 2 <sup>b</sup>				Grade 5, 5.1, or 5.2				Grade 8 or 8.2			
	Lubricated <sup>a</sup>		Dry <sup>a</sup>		Lubricated <sup>a</sup>		Dry <sup>a</sup>		Lubricated <sup>a</sup>		Dry <sup>a</sup>		Lubricated <sup>a</sup>		Dry <sup>a</sup>	
	N-m	lb-ft	N-m	lb-ft	N-m	lb-ft	N-m	lb-ft	N-m	lb-ft	N-m	lb-ft	N-m	lb-ft	N-m	lb-ft
1/4	3.7	2.8	4.7	3.5	6	4.5	7.5	5.5	9.5	7	12	9	13.5	10	17	12.5
5/16	7.7	5.5	10	7	12	9	15	11	20	15	25	18	28	21	35	26
3/8	14	10	17	13	22	16	27	20	35	26	44	33	50	38	63	46
7/16	22	16	28	20	35	26	44	32	55	41	70	52	80	58	100	75
1/2	33	25	42	31	53	39	67	50	85	63	110	80	120	90	150	115
9/16	48	36	60	45	75	56	95	70	125	90	155	115	175	130	225	160
5/8	67	50	85	62	105	78	135	100	170	125	215	160	240	175	300	225
3/4	120	87	150	110	190	140	240	175	300	225	375	280	425	310	550	400
7/8	190	140	240	175	190	140	240	175	490	360	625	450	700	500	875	650
1	290	210	360	270	290	210	360	270	725	540	925	675	1050	750	1300	975
1-1/8	400	300	510	375	400	300	510	375	900	675	1150	850	1450	1075	1850	1350
1-1/4	570	425	725	530	570	425	725	530	1300	950	1650	1200	2050	1500	2600	1950
1-3/8	750	550	950	700	750	550	950	700	1700	1250	2150	1550	2700	2000	3400	2550
1-1/2	1000	725	1250	925	990	725	1250	930	2250	1650	2850	2100	3600	2650	4550	3350

DO NOT use these values if a different torque value or tightening procedure is given for a specific application. Torque values listed are for general use only. Check tightness of fasteners periodically.

Shear bolts are designed to fail under predetermined loads. Always replace shear bolts with identical grade.

<sup>a</sup> "Lubricated" means coated with a lubricant such as engine oil, or fasteners with phosphate and oil coatings. "Dry" means plain or zinc plated without any lubrication.

<sup>b</sup> Grade 2 applies for hex cap screws (not hex bolts) up to 152 mm (6-in.) long. Grade 1 applies for hex cap screws over 152 mm (6-in.) long, and for all other types of bolts and screws of any length.

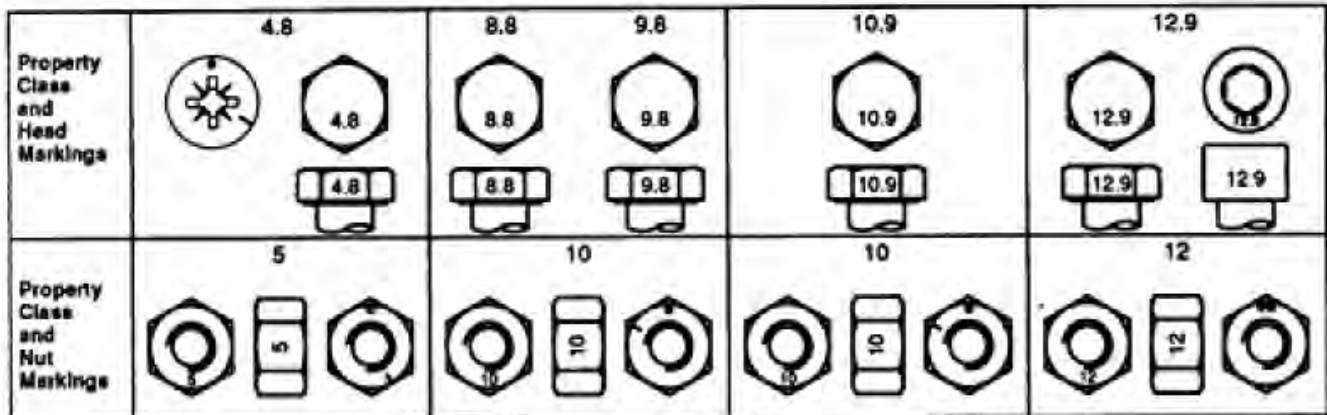
Fasteners should be replaced with the same or higher grade. If higher grade fasteners are used, these should only be tightened to the strength of the original.

Make sure fasteners threads are clean and that you properly start thread engagement. This will prevent them from failing when tightening.

Tighten plastic insert or crimped steel-type lock nuts to approximately 50 percent of the dry torque shown in the chart, applied to the nut, not to the bolt head. Tighten toothed or serrated-type lock nuts to the full torque value.

# Metric Torque Value Chart

## METRIC BOLT AND CAP SCREW TORQUE VALUES



Size	Class 4.8				Class 8.8 or 9.8				Class 10.9				Class 12.9			
	Lubricated <sup>a</sup>		Dry <sup>a</sup>		Lubricated <sup>a</sup>		Dry <sup>a</sup>		Lubricated <sup>a</sup>		Dry <sup>a</sup>		Lubricated <sup>a</sup>		Dry <sup>a</sup>	
	N-m	lb-ft	N-m	lb-ft	N-m	lb-ft	N-m	lb-ft	N-m	lb-ft	N-m	lb-ft	N-m	lb-ft	N-m	lb-ft
M6	4.8	3.5	6	4.5	9	6.5	11	8.5	13	9.5	17	12	15	11.5	19	14.5
M8	12	8.5	15	11	22	16	28	20	32	24	40	30	37	28	47	35
M10	23	17	29	21	43	32	55	40	63	47	80	60	75	55	95	70
M12	40	29	50	37	75	55	95	70	110	80	140	105	130	95	165	120
M14	63	47	80	60	120	88	150	110	175	130	225	165	205	150	260	190
M16	100	73	125	92	190	140	240	175	275	200	350	255	320	240	400	300
M18	135	100	175	125	260	195	330	250	375	275	475	350	440	325	560	410
M20	190	140	240	180	375	275	475	350	530	400	675	500	625	460	800	580
M22	260	190	330	250	510	375	650	475	725	540	925	675	850	625	1075	800
M24	330	250	425	310	650	475	825	600	925	675	1150	850	1075	800	1350	1000
M27	490	360	625	450	950	700	1200	875	1350	1000	1700	1250	1600	1150	2000	1500
M30	675	490	850	625	1300	950	1650	1200	1850	1350	2300	1700	2150	1600	2700	2000
M33	900	675	1150	850	1750	1300	2200	1650	2500	1850	3150	2350	2900	2150	3700	2750
M36	1150	850	1450	1075	2250	1650	2850	2100	3200	2350	4050	3000	3750	2750	4750	3500

DO NOT use these values if a different torque value or tightening procedure is given for a specific application. Torque values listed are for general use only. Check tightness of fasteners periodically.

Shear bolts are designed to fail under predetermined loads. Always replace shear bolts with identical property class.

Fasteners should be replaced with the same or higher property class. If higher property class fasteners are used, these should only be tightened to the strength of the original.

<sup>a</sup> "Lubricated" means coated with a lubricant such as engine oil, or fasteners with phosphate and oil coatings. "Dry" means plain or zinc plated without any lubrication.

Make sure fasteners threads are clean and that you properly start thread engagement. This will prevent them from failing when tightening.

Tighten plastic insert or crimped steel-type lock nuts to approximately 50 percent of the dry torque shown in the chart, applied to the nut, not to the bolt head. Tighten toothed or serrated-type lock nuts to the full torque value.

# Index

13hp Throttle Linkage . . . . .	.2-5
20hp Throttle Linkage . . . . .	.2-7
Bale Deck . . . . .	1-24
Bale Saddles . . . . .	1-26
Battery . . . . .	.4-3
Control Panel . . . . .	.4-1
Cylinder Supports . . . . .	1-16
Front Corners . . . . .	1-18
Front Pushoff . . . . .	1-22
Guide Rollers - Standard . . . . .	1-40
Hoop . . . . .	.1-2
Hoop Drive . . . . .	.1-4
Hydraulic Layout - 13hp Front Circuits . . . . .	.3-1
Hydraulic Layout - 13hp Rear Circuits . . . . .	.3-3
Hydraulic Layout - 20hp Front Circuits . . . . .	.3-5
Hydraulic Layout - 20hp Rear Circuits . . . . .	.3-7
Hydraulic Manifold . . . . .	3-13
Hydraulic Manifold Connections . . . . .	3-11
Hydraulic Oil Tank . . . . .	.3-9
Imperial Torque Value Chart . . . . .	.7-1
Inline Wrapper 3 Year Limited Warranty Statement ( <i>Excludes Individual Wrapper</i> ) . . . . .	//
Left Hoop Brace . . . . .	.1-8
Maintenance Guard . . . . .	1-14
Manuals . . . . .	. I
Metric Torque Value Chart . . . . .	.8-1
Model Decals . . . . .	.6-3
Parking Brake . . . . .	1-36
Part Orders . . . . .	. I
Parts Manual . . . . .	. I
Parts Manual Usage . . . . .	. I
Plastic Film Carrier . . . . .	.1-6
Rear Axle . . . . .	1-34
Rear Light Brackets . . . . .	1-38
Right Hoop Brace . . . . .	1-10
Roller Bed . . . . .	1-32
Safety Decals . . . . .	.6-1
Safety Guard . . . . .	1-12
Section 1: Basic Parts . . . . .	.1-1
Section 2: Engines . . . . .	.2-1
Section 3: Hydraulics . . . . .	.3-1
Section 4: Electrical . . . . .	.4-1
Section 5: Options . . . . .	.5-1
Section 6: Decals . . . . .	.6-1
Serial Number . . . . .	. I

Side Rails . . . . .	1-20
Steering. . . . .	1-30
Table Trigger . . . . .	1-28
TL13HP - 13hp Honda . . . . .	.2-1
TL20HP - 20hp Honda . . . . .	.2-3
TL109-100-355 - Dual Power Drive Bracket . . . . .	.5-5
TLGS - Laser Guidance System . . . . .	5-15
TLHPD5000 - Single Power Drive . . . . .	.5-1
TLHPDD5000 - Dual Power Drive . . . . .	.5-3
TLMPO-6000 - Bale Dispatch Arm . . . . .	5-13
TLNWLK - Halogen Night Light Kit . . . . .	.5-9
TLNWLKLED - LED Night Light Kit . . . . .	.5-7
TLPSSK - Plastic Sensor Shutdown Kit . . . . .	5-17
TLPSSKW - Plastic Sensor Shutdown Kit . . . . .	5-19
TLRF - Suspension Axle . . . . .	5-23
TLRSSKX2HD(E) - Remote Control Kits . . . . .	5-11
TLTWKOFF - Offset Twin Wrap Kit . . . . .	5-21



**WARNING**

The engine exhaust from this product contains chemicals known in the state of California to cause cancer, birth defects, or other reproductive harm.

**TUBE•LINE™**