

TUBE•LINE™

Tubeline Manufacturing Limited
6455 Reid Woods Drive RR #4
Elmira, Ontario, Canada N3B 2Z3

Email: sales@tubeline.ca

Fax: 519.669.5808

Tel: 519.669.9488

Toll-free (North America): 1.888.856.6613

www.tubeline.ca

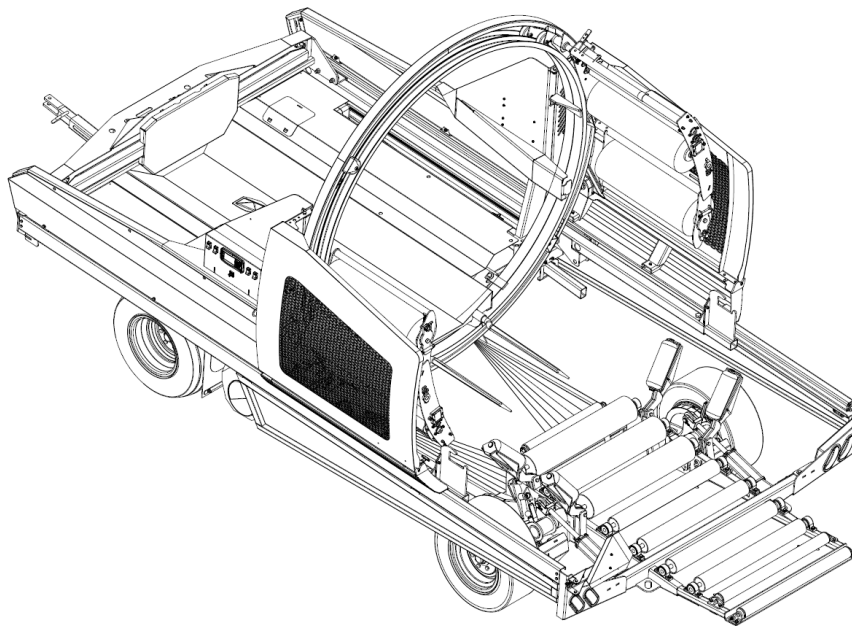
Parts Manual

Keep this manual with the machine at all times.

TL60ECV

Balewrapper

TL60ECV



Parts Manual

Thank you for choosing the Tubeline TL60ECV Balewrapper. Our hope is that it will give you many years of productive service. This machine is designed to wrap bales in a continual line with plastic film.

Parts Manual Usage

This parts manual is used to order replacement parts by means of part breakdowns and their corresponding part lists. Each page contains a different range of integrated parts. Each illustration visually represents machine components. The part lists contain information needed to order replacement parts. Part lists include the following columns:

ITEM - Number matching parts breakdown balloons.

QTY - Quantity of components included in this breakdown, not entire machine.

PART NUMBER - The number to be used when placing an order.

DESCRIPTION - Term used to confirm its matching part number.

NOTE - Column may be added to part lists when a serial break or additional information is required.

Remember to always have your machine model and serial number on hand when ordering parts.

Part Orders

Part orders are taken by your local Tubeline dealer and fulfilled through a regional distributor. For quick service please record your dealer name and contact information in the [Serial Number](#) section.

Manuals

Parts manuals are printed and shipped with machines as they leave the manufacturer. Your machine may include parts or features not yet included in the initially shipped manual. The latest manual version can be found at www.tubeline.ca/support. Tubeline reserves the right to update and change manuals as seen fit. Dealers are informed of any pressing changes/ modifications. They can help you with any questions regarding replacement parts.

Serial Number

The implement serial number is located on the front left corner of the frame. (*See below*) This number helps us to track changes and improvements and must be mentioned when ordering parts or requesting service. For your convenience, a space has been provided inside the front cover of this manual to record the serial number, model number, purchase date, and dealer name.

Model No: _____

Serial No: _____

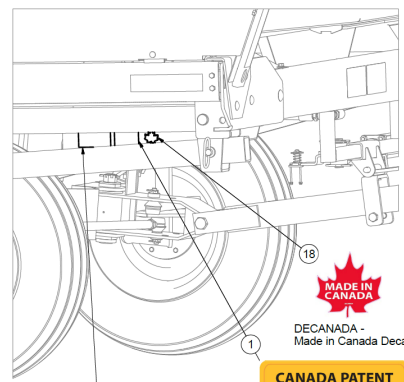
Date Purchased: _____

Dealer Name: _____

Dealer Contact: _____

Engine Model No: _____

Engine Serial No: _____





Inline Wrapper 3 Year Limited Warranty Statement *(Excludes Individual Wrapper)*

All Equipment is sold subject to mutual agreement that it is warranted by Tube-Line Manufacturing Ltd (hereinafter the company) to be free from defects in material and workmanship. The company's liability shall be limited exclusively to the original owner to replace or repair without charge, at its factory or elsewhere, at its discretion, any defects in material or workmanship which become apparent in the first year from the date on which the equipment was purchased. In the second and third year the company will supply at no charge replacement of defective parts only. Installation and freight will be at the expense of the owner.

Components supplied by third parties and not manufactured by the company will carry such warranty as extended by such parties, such as but not limited to, tires, batteries, electrical components, hydraulics and engines.

The buyer by the acceptance of the equipment will assume all liability for any damages which may result from accident, abuse or misuse by his employees or others. Any equipment that has been altered or modified without prior written authorization by the company will render the warranty null and void.

No employee or representative of the company is authorized to make changes to this warranty or grant additional warranty terms unless authorized in writing by management of the company.

The company shall not be liable for special, indirect or consequential damages of any kind including but not limited to, loss of revenue, rental replacement costs or other losses.

Normal wear and tear from normal use of the equipment is not warranted. The end user is expected to maintain and service the equipment in accordance with accepted practices. Failure to do so will void the terms of this warranty.

Warranty coverage is null and void unless Warranty Registration form has been completely filled in and is on file at Tube-Line Manufacturing Ltd.

NOTE: Newest manual version can be found at www.tubeline.ca/support

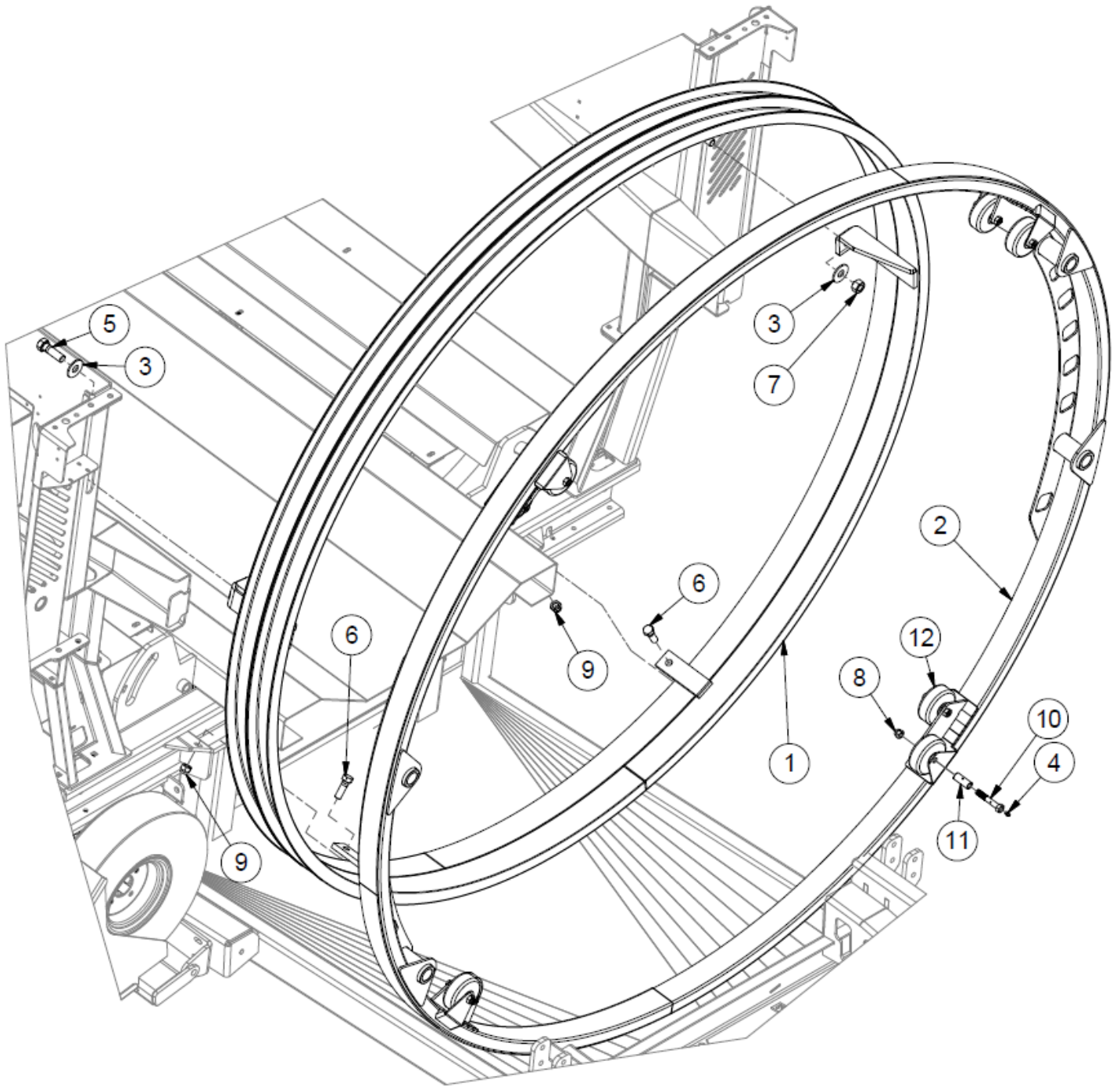
Table of Contents

Parts Manual	I
Parts Manual Usage	I
Part Orders	I
Manuals	I
Serial Number	I
Inline Wrapper 3 Year Limited Warranty Statement (<i>Excludes Individual Wrapper</i>)	II
Section 1: Basic Parts	1-1
Hoop	1-2
Hoop Drive	1-4
Plastic Film Carrier	1-6
Left Hoop Brace	1-8
Right Hoop Brace	1-10
Safety Guard	1-12
Maintenance Guard	1-14
Cylinder Supports	1-16
Front Corners	1-18
Side Rails	1-20
Front Pushoff	1-22
Bale Deck	1-24
Bale Saddles	1-26
Steering	1-28
Roller Bed	1-30
Rear Axle	1-32
Parking Brake	1-34
Rear Light Brackets	1-36
Guide Rollers - Standard	1-38
Section 2: Engines	2-1
TL13HP - 13hp Honda	2-1
TL20HP - 20hp Honda	2-3
13hp Throttle Linkage	2-5
20hp Throttle Linkage	2-7
Section 3: Hydraulics	3-1
Hydraulic Layout - Front Circuits	3-1
Hydraulic Layout - Rear Circuits	3-3
Hydraulic Oil Tank	3-5
Hydraulic Manifold Mount	3-7
Hydraulic Manifold Connections	3-8
Hydraulic Manifold Valves	3-9
Section 4: Electrical	4-1
Control Panel	4-1
Main Electrical Harness	4-3
Battery	4-5
Speed Sensor	4-7
Table Trigger	4-9

Section 5: Options	5-1
TLHPD60ECV - Single Power Drive	5-2
TLHPDD60ECV - Dual Power Drive	5-4
TL500-100-060 - Dual Power Drive Assembly	5-6
TLNWKLED-ECV - LED Night Light Kit	5-8
TLNWLK-ECV - Halogen Night Light Kit	5-10
TLRSSKX2HD(E) - Remote Control Kits	5-12
TLMPO-5000 - Bale Dispatch Arm	5-14
TLGSECV - Laser Guidance System	5-16
TLPSSK-ECV - Plastic Sensor Shutdown Kit	5-18
TLPSSKW - Wireless Plastic Sensor Shutdown Kit	5-20
TLGR50 - Optional Guide Rollers	5-22
TLTWKOFF - Offset Twin Wrap Kit	5-24
TLRF - Roadflex Suspension Axle	5-26
Section 6: Decals	6-1
Safety Decal Locations	6-1
Safety Decal List	6-2
Imperial Torque Value Chart	7-1
Metric Torque Value Chart	8-1

Section 1: Basic Parts

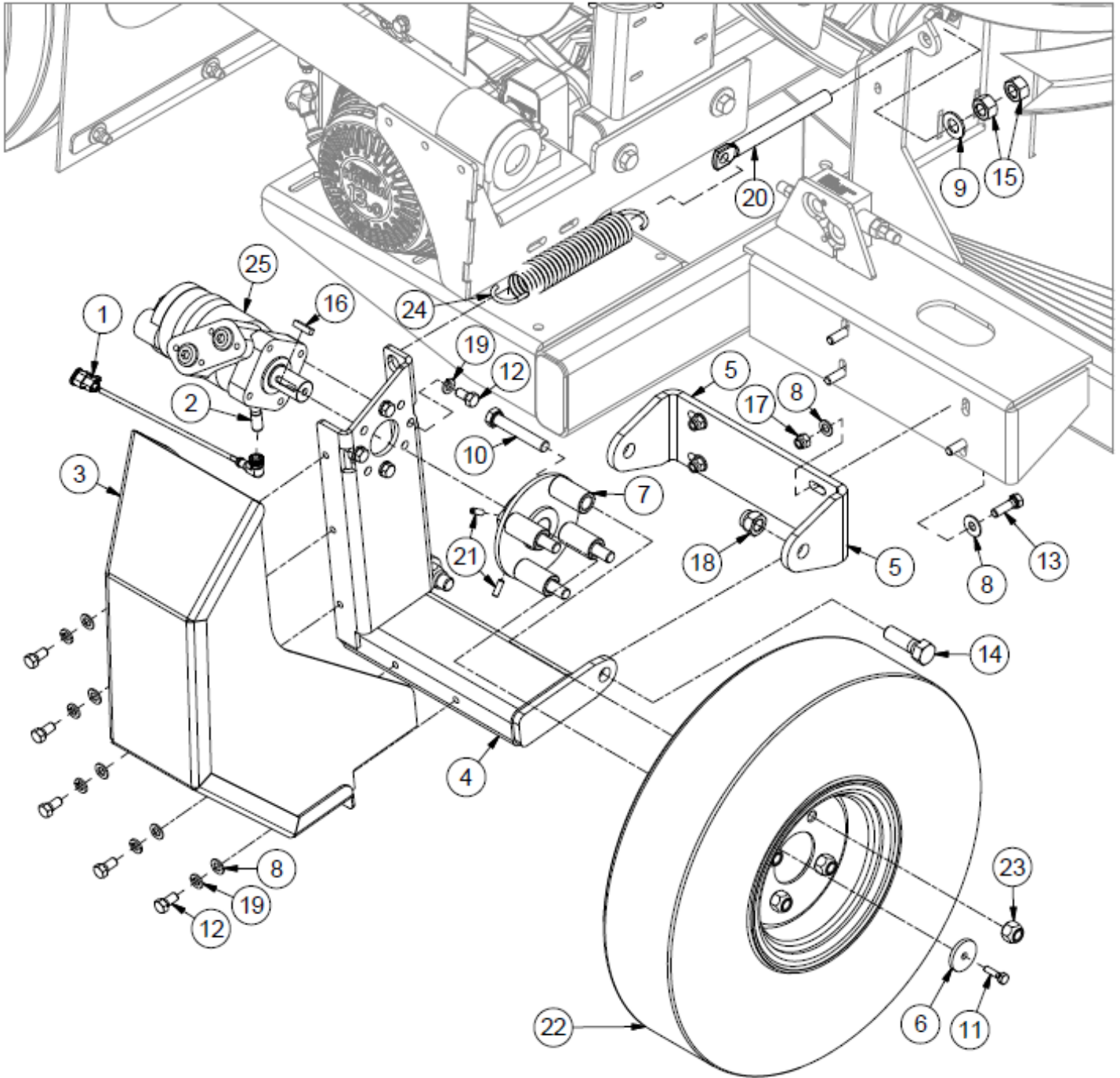
Hoop



Hoop

ITEM	QTY	PART NUMBER	DESCRIPTION
1	1	44258	Large 5000 Inner Hoop
2	1	44265	Large 5000 Outer Hoop
3	4	FW 3/4	Flatwasher - 3/4" Zinc Plated USS
4	8	GR 1/4 X 28	Grease Fitting 1/4-28 Straight-Standard Zerk
5	2	HB 3/4-10X2.5 Z5	Hex Bolt 3/4-10x2 1/2 Grade 5 Zinc Plated Hex Cap Screw
6	2	HB 5/8-11X2 Z5	Hex Bolt 5/8-11x2 Grade 5 Zinc Plated Hex Cap Screw
7	2	HN 3/4	Hex Nut 3/4"-10 Grade 5 Zinc Plated Finished
8	8	LN 1/2 N	LN 1/2-13 Zinc Plated Nylon Insert Lock Nut
9	2	LN 5/8 N	LN 5/8-11 Zinc Plated Nylon Insert Lock Nut
10	8	TL500-100-015	Hoop Wheel Axle Bolt
11	8	TL550-200-016	Spanner
12	8	TLWHEEL01	Hoop Wheel

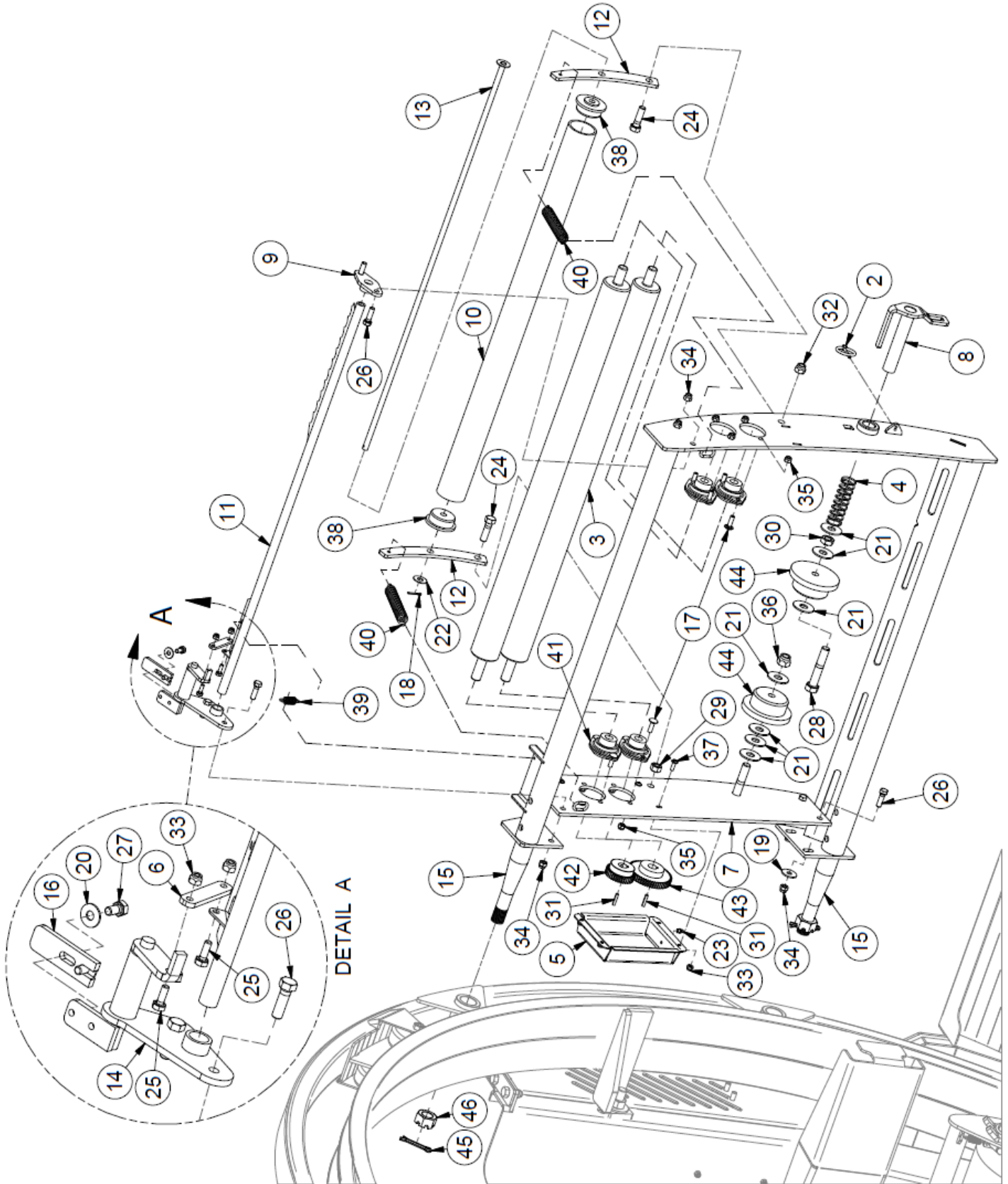
Hoop Drive



Hoop Drive

ITEM	QTY	PART NUMBER	DESCRIPTION
1	1	32607	ECV Hoop Speed Sensor Harness
2	1	32665	Hoop Speed Sensor for ECV Wrappers
3	1	44237	Hoop Wheel Guard
4	1	44238	Hoop Motor Mount
5	1	44239	Hoop Wheel Base
6	1	44240	Hoop Motor Plate
7	1	44241	Hoop Drive Wheel Hub
8	13	FW 3/8	Flatwasher - 3/8" Zinc Plated USS
9	1	FW 5/8	Flatwasher - 5/8" Zinc Plated USS
10	4	HB 1/2-20 X3 YZ8	Hex Bolt 1/2-20x3 Grade 8 Zinc Hex Cap Screw
11	4	HB 1/4-20X1 Z5	Hex Bolt 1/4-20x1 Grade 5 Zinc Plated Hex Cap Screw
12	9	HB 3/8-16X0.75 Z5	Hex Bolt 3/8-16x3/4 Grade 5 Zinc Plated Hex Cap Screw
13	4	HB 3/8-16X1.25 Z5	Hex Bolt 3/8-16x1 1/4 Grade 5 Zinc Plated Hex Cap Screw
14	2	HB 5/8-11X2 Z5	Hex Bolt 5/8-11x2 Grade 5 Zinc Plated Hex Cap Screw
15	2	HN 5/8	Hex Nut 5/8"-11 Grade 5 Zinc Plated Finished
16	1	KS40254	Keystock .25 x 1
17	4	LN 3/8 N	LN 3/8-16 Zinc Plated Nylon Insert Lock Nut
18	2	LN 5/8 N	LN 5/8-11 Zinc Plated Nylon Insert Lock Nut
19	9	LW 3/8	LW - 3/8" Zinc Plated Medium Split
20	1	PP00051	Flat Eye Bolt 5/8 X 7.0
21	2	SS 14X34	Allan Head Set Screw, 1/4-20 x 3/4
22	1	TL500-100-052	Drive Wheel
23	4	TL500-100-054	Wheel Nut, 1/2"
24	1	TL500-101-231	Wheel Tensioner Spring
25	1	VAL MLHPQ200C7URS-NE	Hyd. Motor (Hoop Motor) Rear Ported with Sensor

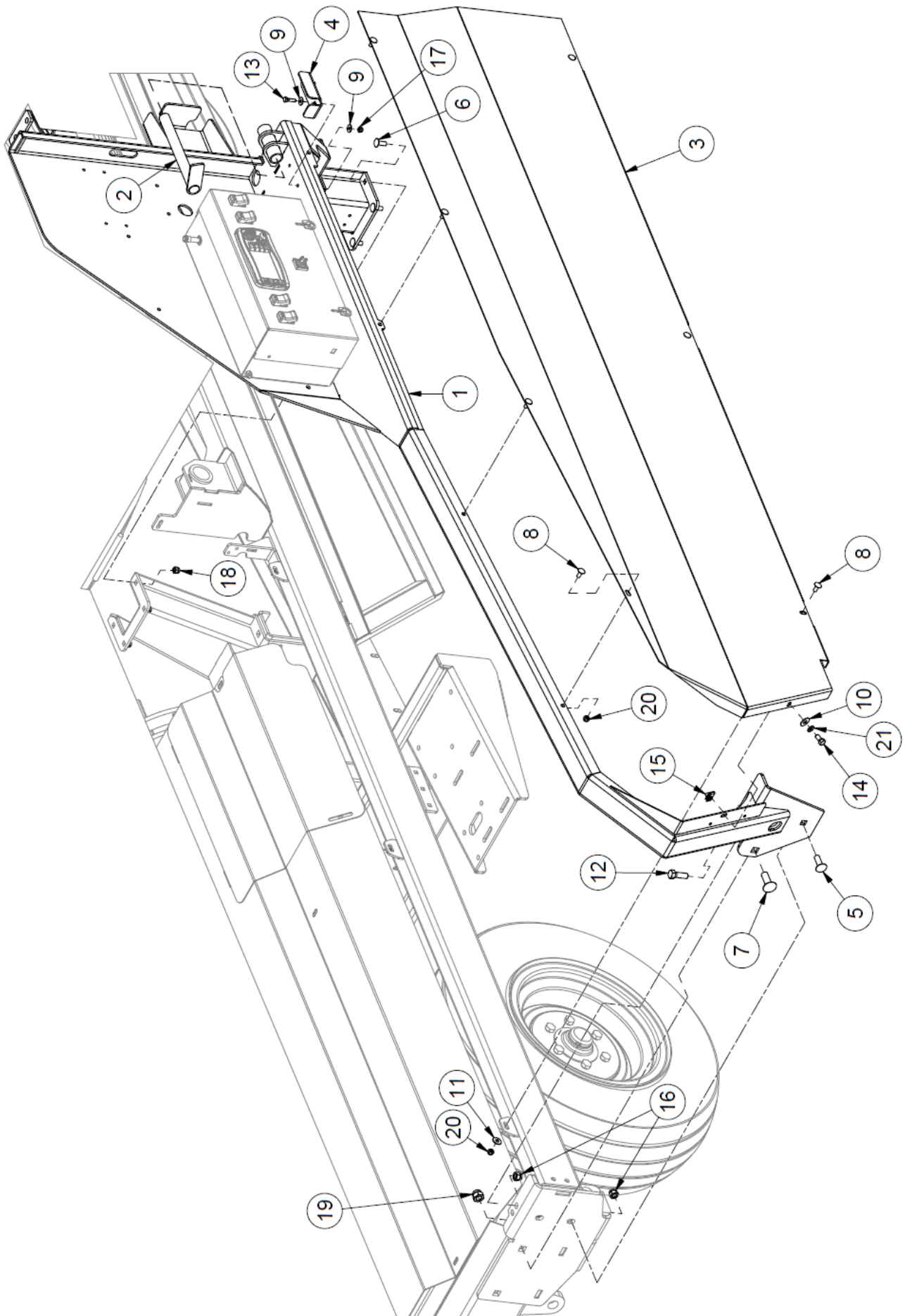
Plastic Film Carrier



Plastic Film Carrier

ITEM	QTY	PART NUMBER	DESCRIPTION	NOTE
1	2	44278	Offset Plastic Wrap Carrier	Items 2-44
2	1	25680	Linchpin 3/16 x 1.5"	
3	2	39916	Extended Tensioner Roller	
4	1	41888	Offset Tensioner Spring	
5	1	44284	Grease Box	
6	1	44285	Swivel Plate	
7	1	44286	Main Wrap Side Plate	
8	1	44287	Wrap Spool Slider Shaft	
9	1	44288	Pivot Support Bracket	
10	1	44289	Extended Plastic Roller	
11	1	44290	Wrap Cut	
12	2	44291	Plastic Roller Mount	
13	1	44292	Plastic Roller Pin	
14	1	44293	Wrap Cut Swivel Handle	
15	1	44294	Main Wrap Frame	
16	1	44400	Snap Adjuster Plate	
17	8	CB 5/16-18 X1 Z5	Carriage Bolt - 5/16-18 x 1" Grade 5 Zinc	
18	1	CP 18X1	Pin, Cotter 1/8 x 1.0	
19	2	FW 3/8	Flatwasher - 3/8" Zinc Plated USS	
20	2	FW 5/16	Flatwasher - 5/16" Zinc Plated USS	
21	7	FW 5/8	Flatwasher - 5/8" Zinc Plated USS	
22	1	FW 7/16	Flatwasher - 7/16" Zinc Plated USS	
23	2	GR 1/4 X 28	Grease Fitting 1/4-28 Strght-Standrd Zerk	
24	2	HB 1/2-13X1.75 Z5	Hex Bolt 1/2-13x1 3/4 Grade 5 Zinc Plated Hex Cap Screw	
25	2	HB 1/4-20X0.75 Z5	Hex Bolt 1/4-20x3/4 Grade 5 Zinc Plated Hex Cap Screw	
26	6	HB 3/8-16X1.25 Z5	Hex Bolt 3/8-16x1 1/4 Grade 5 Zinc Plated Hex Cap Screw	
27	2	HB 5/16-18X0.625 Z5	Hex Bolt 5/16-18x5/8 Grade 5 Zinc Plated Hex Cap Screw	
28	1	HB 5/8-11X3.5 Z5	Hex Bolt 5/8-11x3 1/2 Grade 5 Zinc Plated Hex Cap Screw	
29	2	HN 1/2	Hex Nut 1/2"-13 Grade 5 Zinc Plated Finished	
30	1	HN 5/8 JAM	Hex Nut - 5/8-11 Zinc Plated Hex Jam Nut	
31	2	KS44823	Keystock .188 X 1	
32	2	LN 1/2 N	LN 1/2-13 Zinc Plated Nylon Insert Lock Nut	
33	6	LN 1/4 N	LN 1/4-20 Zinc Plated Nylon Insert Lock Nut	
34	6	LN 3/8 N	LN 3/8-16 Zinc Plated Nylon Insert Lock Nut	
35	8	LN 5/16 N	LN 5/16-18 Zinc Plated Nylon Insert Lock Nut	
36	1	LN 5/8 N	LN 5/8-11 Zinc Plated Nylon Insert Lock Nut	
37	4	MS 1/4X20X0.75	Machine Screw - (Inch)	
38	2	TL500-100-021	HMWPVC - Plastic End Cap	
39	1	TL500-100-062	Extension Spring	
40	2	TL500-100-135	Spring - Tensioner	
41	4	TL550-100-007	Flange Bearing, 3/4" (2 Flanges & Bearing)	
42	1	TL550-100-008	Small Gear - 3/4 Bore, KW, SS, 14 1/2 deg, 2.25 P.D.	C/w 2 Set Screws
43	1	TL550-100-009	Large Gear - 3/4 Bore, KW, SS, 14 1/2 deg, 3.50 P.D.	C/w 2 Set Screws
44	2	TL550-200-012	Plastic Wrap Spool	
45	4	CP 1/4 x 2.0	Pin, Cotter - 1/4" x 2" Zinc Plated	
46	4	HN 1.0-14NFCastle	Hex Nut 1"-14 Slotted Plain Finish (NF Castle Nut Bare)	

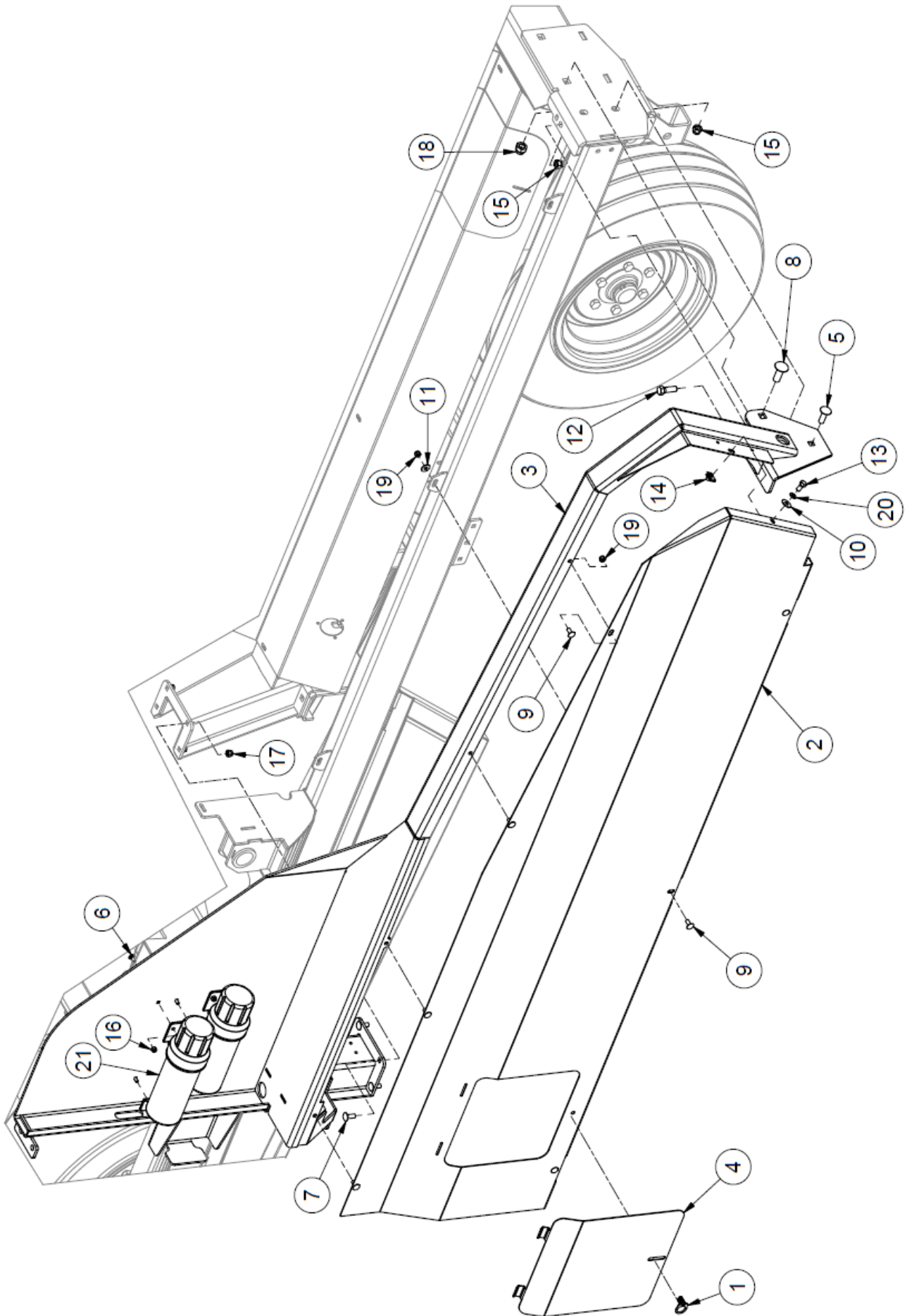
Left Hoop Brace



Left Hoop Brace

ITEM	QTY	PART NUMBER	DESCRIPTION
1	1	41670	Left Hoop Brace
2	1	43243	Hoop Lock Pin
3	1	43426	Left Side Shield
4	1	44227	Hoop Handle Lock
5	2	CB 1/2-13 X1.5 Z5	Carriage Bolt - 1/2-13 x 1 1/2" Grade 5 Zinc
6	4	CB 3/8-16 X1 Z5	Carriage Bolt - 3/8-16 x 1" Grade 5 Zinc
7	1	CB 5/8-11 X1.75 Z5	Carriage Bolt - 5/8-11 x 1 3/4" Grade 5 Zinc
8	7	CB 5/16-18 X0.75 Z5	Carriage Bolt - 5/16-18 x 3/4" Grade 5 Zinc
9	4	FW 1/4	Flatwasher - 1/4" Zinc Plated USS
10	1	FW 3/8	Flatwasher - 3/8" Zinc Plated USS
11	3	FW 5/16	Flatwasher - 5/16" Zinc Plated USS
12	1	HB 1/2-13X1.5 Z5	Hex Bolt 1/2-13x1 1/2 Grade 5 Zinc Plated Hex Cap Screw
13	2	HB 1/4-20X1 Z5	Hex Bolt 1/4-20x1 Grade 5 Zinc Plated Hex Cap Screw
14	1	HB 3/8-16X0.75 Z5	Hex Bolt 3/8-16x3/4 Grade 5 Zinc Plated Hex Cap Screw
15	1	HNP3/8-16	3/8"-16 Panel Range: .050"-.200" Center 3/4" Extruded U Nut
16	3	LN 1/2 N	LN 1/2-13 Zinc Plated Nylon Insert Lock Nut
17	2	LN 1/4 N	LN 1/4-20 Zinc Plated Nylon Insert Lock Nut
18	4	LN 3/8 N	LN 3/8-16 Zinc Plated Nylon Insert Lock Nut
19	1	LN 5/8 N	LN 5/8-11 Zinc Plated Nylon Insert Lock Nut
20	7	LN 5/16 N	LN 5/16-18 Zinc Plated Nylon Insert Lock Nut
21	1	LW 3/8	LW - 3/8" Zinc Plated Medium Split

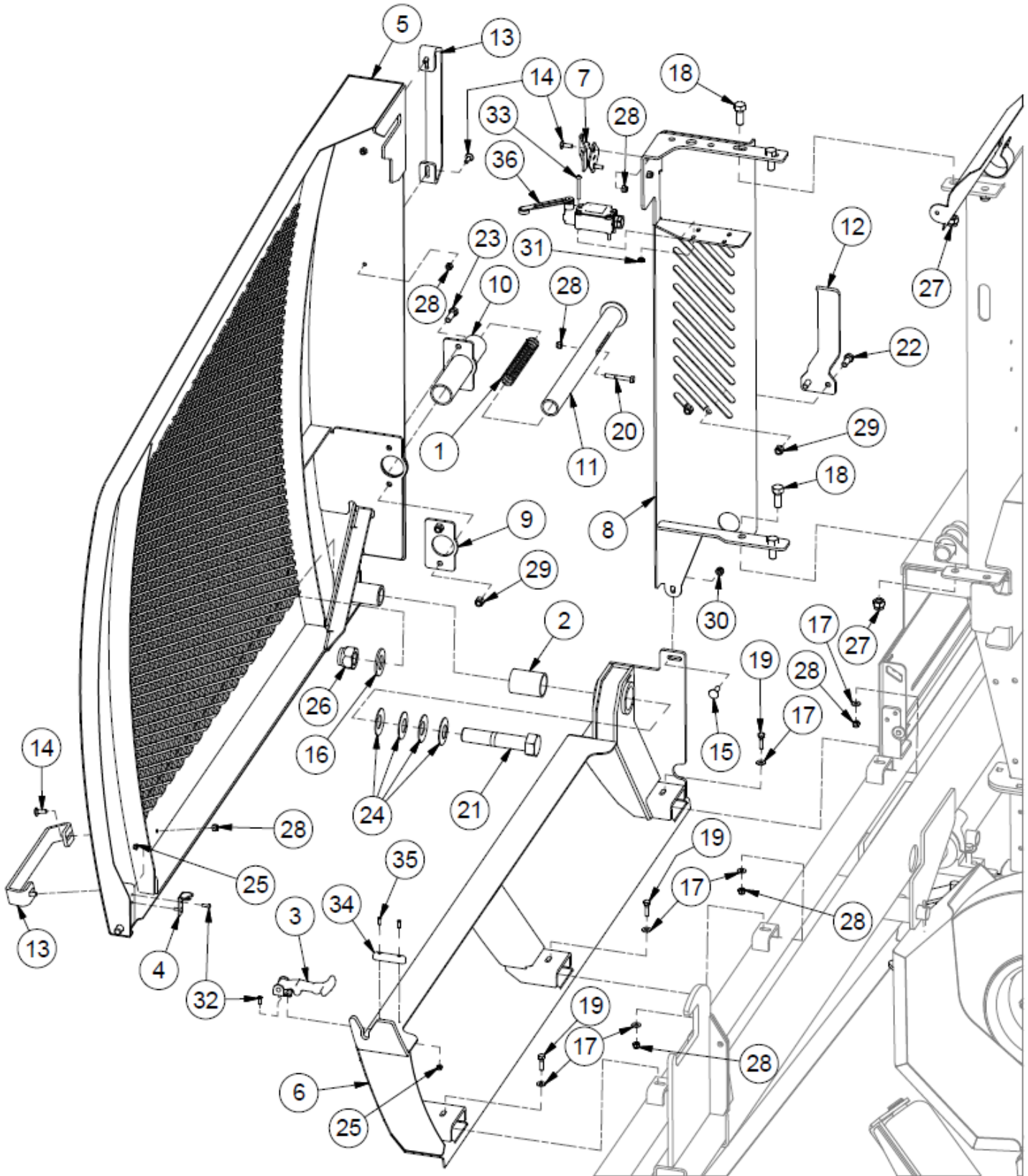
Right Hoop Brace



Right Hoop Brace

ITEM	QTY	PART NUMBER	DESCRIPTION
1	1	36268	Cam Lock
2	1	42502	Right Side Shield
3	1	42503	Right Hoop Brace
4	1	42524	Oil Fill Cover
5	2	CB 1/2-13 X1.5 Z5	Carriage Bolt - 1/2-13 x 1 1/2" Grade 5 Zinc
6	6	CB 1/4-20 X0.625 Z5	Carriage Bolt - 1/4-20 x 5/8" Grade 5 Zinc
7	4	CB 3/8-16 X1 Z5	Carriage Bolt - 3/8-16 x 1" Grade 5 Zinc
8	1	CB 5/8-11 X1.75 Z5	Carriage Bolt - 5/8-11 x 1 3/4" Grade 5 Zinc
9	7	CB 5/16-18 X0.75 Z5	Carriage Bolt - 5/16-18 x 3/4" Grade 5 Zinc
10	1	FW 3/8	Flatwasher - 3/8" Zinc Plated USS
11	3	FW 5/16	Flatwasher - 5/16" Zinc Plated USS
12	1	HB 1/2-13X1.5 Z5	Hex Bolt 1/2-13x1 1/2 Grade 5 Zinc Plated Hex Cap Screw
13	1	HB 3/8-16X0.75 Z5	Hex Bolt 3/8-16x3/4 Grade 5 Zinc Plated Hex Cap Screw
14	1	HNP3/8-16	3/8"-16 Panel Range: .050"-.200" Center 3/4" Extruded U Nut
15	2	LN 1/2 N	LN 1/2-13 Zinc Plated Nylon Insert Lock Nut
16	6	LN 1/4 N	LN 1/4-20 Zinc Plated Nylon Insert Lock Nut
17	4	LN 3/8 N	LN 3/8-16 Zinc Plated Nylon Insert Lock Nut
18	1	LN 5/8 N	LN 5/8-11 Zinc Plated Nylon Insert Lock Nut
19	7	LN 5/16 N	LN 5/16-18 Zinc Plated Nylon Insert Lock Nut
20	1	LW 3/8	LW - 3/8" Zinc Plated Medium Split
21	2	TL5X2-201-111	Operators Manual Holder

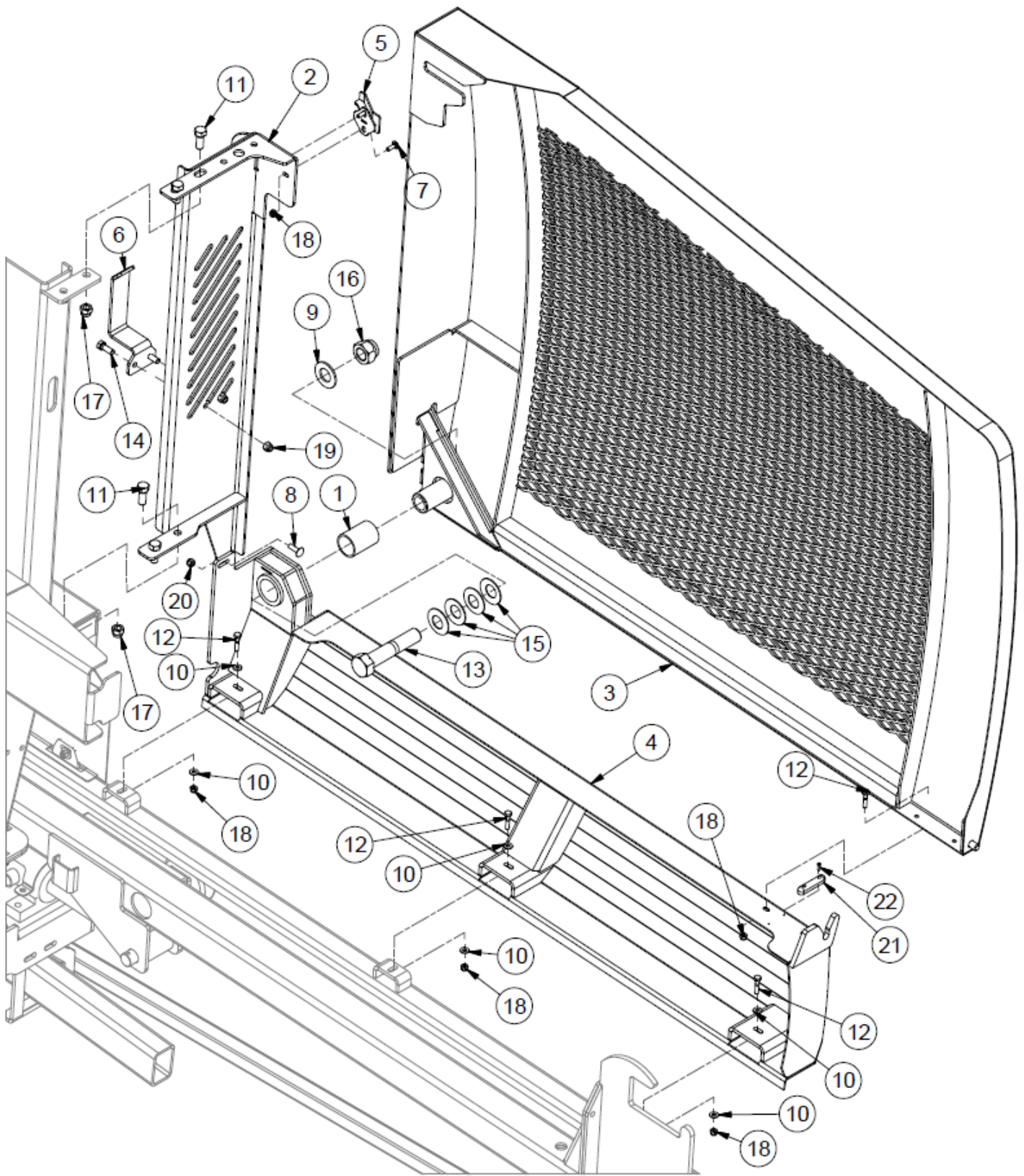
Safety Guard



Safety Guard

ITEM	QTY	PART NUMBER	DESCRIPTION
1	1	36900	Film Snap Spring
2	1	37845	Polygon 1.75 OD x1.52 ID x2.38 LG
3	1	38048	Battery Cover Hold Down
4	1	38343	Battery Latch
5	1	41685	Left Door
6	1	41692	Left Bottom Door Mount
7	1	43266	Door Hold
8	1	43333	Left Door Mount
9	1	43381	Pipe Support
10	1	43383	Wrap Cut Tube Support
11	1	44352	Cut Push Tube
12	1	44359	Single Tape Holder
13	2	44858	Door Handle
14	6	CB 1/4-20 X0.75 Z5	Carriage Bolt - 1/4-20 x 3/4" Grade 5 Zinc
15	1	CB 5/16-18 X1 Z5	Carriage Bolt - 5/16-18 x 1" Grade 5 Zinc
16	1	FW 1.0	Flatwasher - 1" Zinc Plated USS
17	6	FW 1/4	Flatwasher - 1/4" Zinc Plated USS
18	4	HB 1/2-13X1.25 Z5	Hex Bolt 1/2-13x1 1/4 Grade 5 Zinc Plated Hex Cap Screw
19	7	HB 1/4-20X1 Z5	Hex Bolt 1/4-20x1 Grade 5 Zinc Plated Hex Cap Screw
20	1	HB 1/4-20X2 Z5	Hex Bolt 1/4-20x2 Grade 5 Zinc Plated Hex Cap Screw
21	2	HB 1-8X5 Z5	Hex Bolt 1-8x5 Grade 5 Zinc Plated Hex Cap Screw
22	2	HB 3/8-16X1 Z5	Hex Bolt 3/8-16x1 Grade 5 Zinc Plated Hex Cap Screw
23	1	HB 3/8-16X1.25 Z5	Hex Bolt 3/8-16x1 1/4 Grade 5 Zinc Plated Hex Cap Screw
24	4	LA-BK-43	2" OD 1" ID H Steel Disc Spring Washer
25	9	LN #8 N	LN 3/16-32 Zinc Plated Nylon Insert Lock Nut
26	1	LN 1 N	LN 1-8 Zinc Plated Nylon Insert Lock Nut
27	4	LN 1/2 N	LN 1/2-13 Zinc Plated Nylon Insert Lock Nut
28	10	LN 1/4 N	LN 1/4-20 Zinc Plated Nylon Insert Lock Nut
29	4	LN 3/8 N	LN 3/8-16 Zinc Plated Nylon Insert Lock Nut
30	1	LN 5/16 N	LN 5/16-18 Zinc Plated Nylon Insert Lock Nut
31	4	LN 10-24	K-Lok Locknut
32	5	MS #8X32X0.5	Machine Screw - (Inch)
33	4	MS #10X24X1.75	Machine Screw - (Inch)
34	1	PP-00685	Rubber Stop
35	2	PP-00686	Wood Screw,#6 x5/8" Roberts end
36	1	32633	ECV Wrapper, Left and Right Door Switch, Ram Home Switch

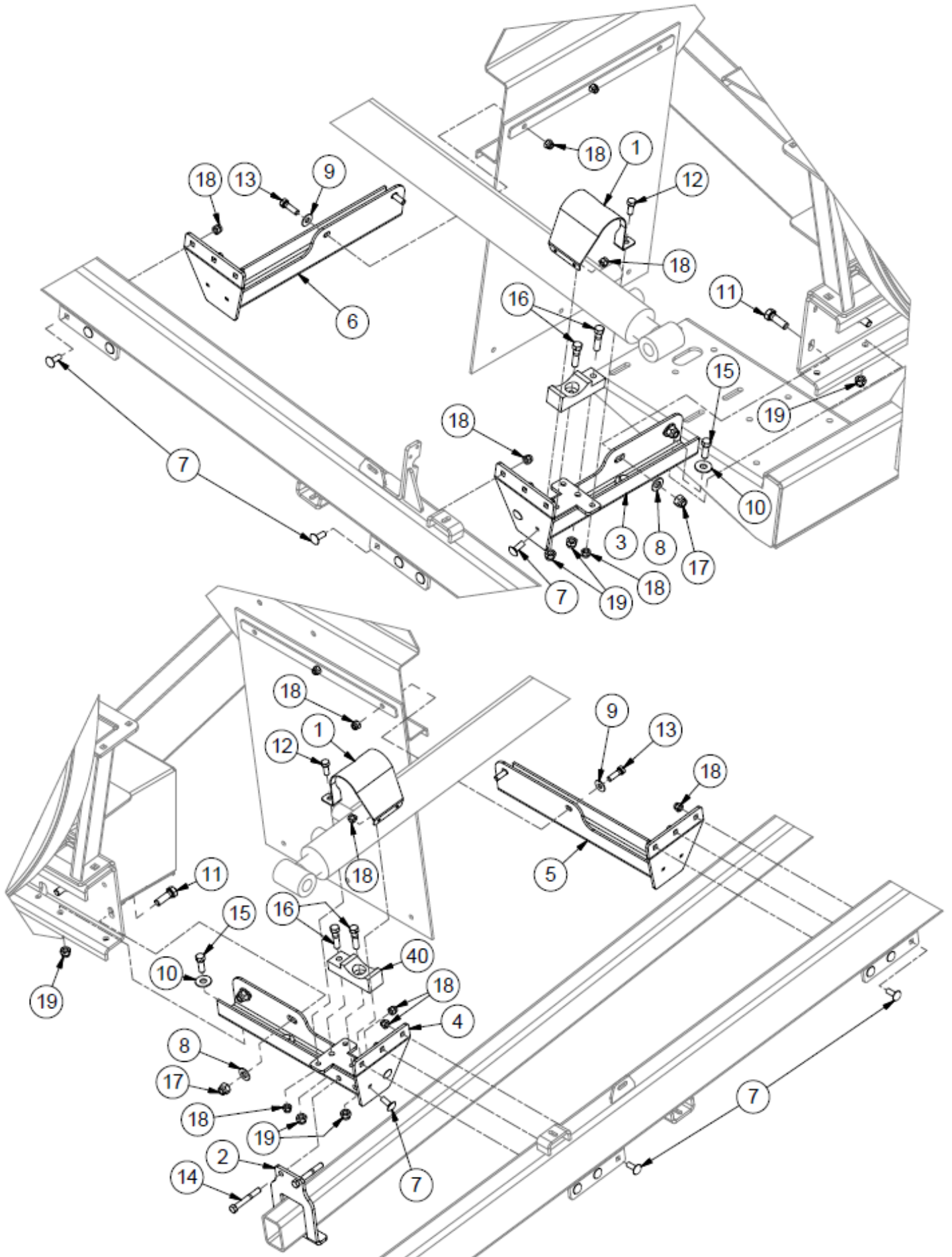
Maintenance Guard



Maintenance Guard

ITEM	QTY	PART NUMBER	DESCRIPTION
1	1	37845	Polygon 1.75 OD x1.52 ID x2.38 LG
2	1	42510	Right Door Mount
3	1	43250	Right Door
4	1	43259	Right Bottom Door Mount
5	1	43266	Door Hold
6	1	44359	Single Tape Holder
7	2	CB 1/4-20 X0.75 Z5	Carriage Bolt - 1/4-20 x 3/4" Grade 5 Zinc
8	1	CB 5/16-18 X1 Z5	Carriage Bolt - 5/16-18 x 1" Grade 5 Zinc
9	1	FW 1.0	Flatwasher - 1" Zinc Plated USS
10	6	FW 1/4	Flatwasher - 1/4" Zinc Plated USS
11	4	HB 1/2-13X1.25 Z5	Hex Bolt 1/2-13x1 1/4 Grade 5 Zinc Plated Hex Cap Screw
12	5	HB 1/4-20X1.25 Z5	Hex Bolt 1/4-20x1 1/4 Grade 5 Zinc Plated Hex Cap Screw
13	2	HB 1-8X5 Z5	Hex Bolt 1-8x5 Grade 5 Zinc Plated Hex Cap Screw
14	2	HB 3/8-16X1 Z5	Hex Bolt 3/8-16x1 Grade 5 Zinc Plated Hex Cap Screw
15	4	LA-BK-43	2" OD 1" ID H Steel Disc Spring Washer
16	1	LN 1 N	LN 1-8 Zinc Plated Nylon Insert Lock Nut
17	4	LN 1/2 N	LN 1/2-13 Zinc Plated Nylon Insert Lock Nut
18	7	LN 1/4 N	LN 1/4-20 Zinc Plated Nylon Insert Lock Nut
19	2	LN 3/8 N	LN 3/8-16 Zinc Plated Nylon Insert Lock Nut
20	1	LN 5/16 N	LN 5/16-18 Zinc Plated Nylon Insert Lock Nut
21	1	PP-00685	Rubber Stop
22	2	PP-00686	Wood Screw,#6 x5/8" Roberts end

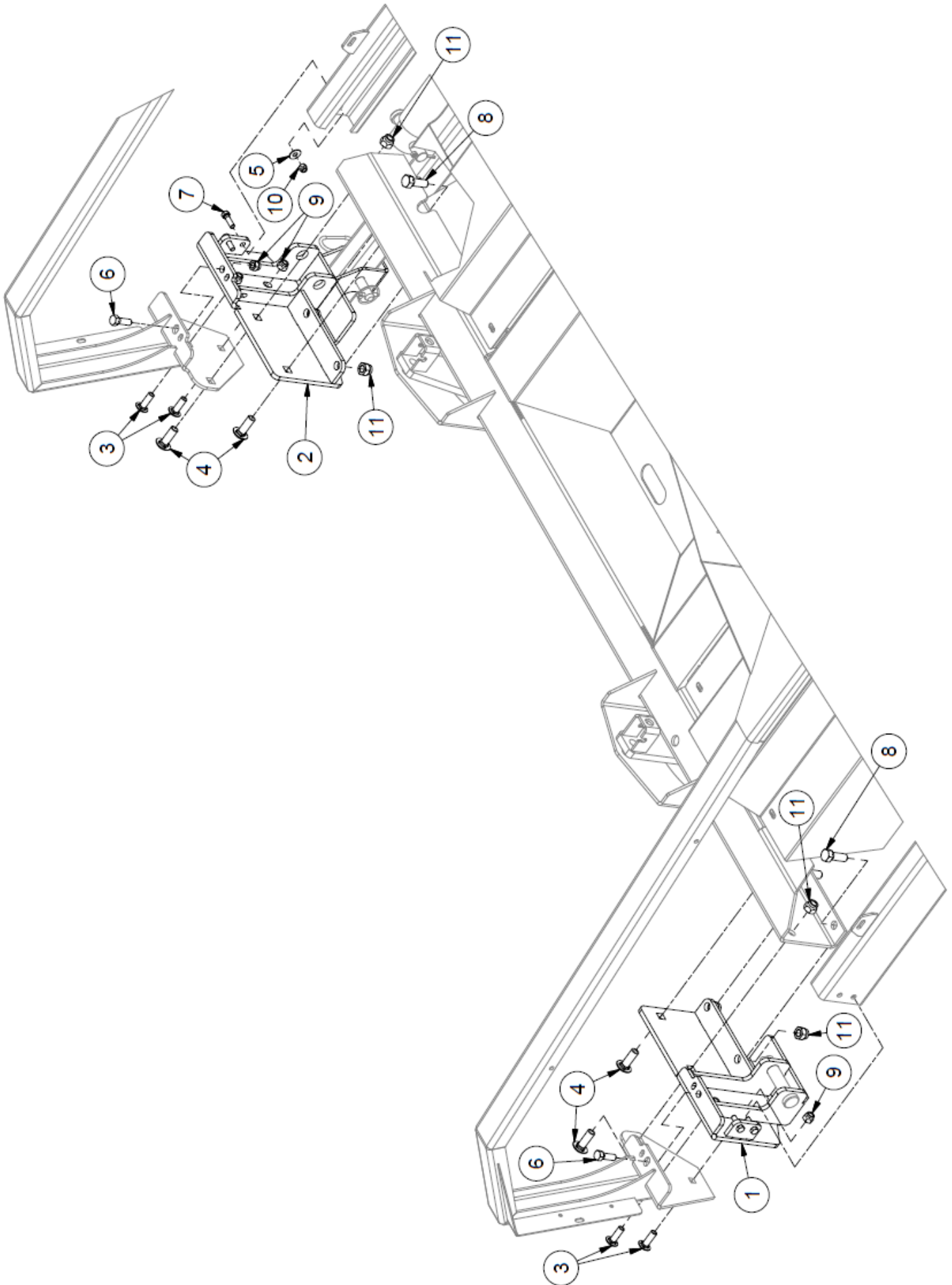
Cylinder Supports



Cylinder Supports

ITEM	QTY	PART NUMBER	DESCRIPTION
1	2	44589	Cyl. Tie Down
2	1	44592	Pushoff Tube Holder
3	1	44606	Left Center Cyl. Support
4	1	44610	Right Center Cyl. Support
5	1	44612	Right Side Channel Support
6	1	44613	Left Side Channel Support
7	18	CB 3/8-16 X1 Z5	Carriage Bolt - 3/8-16 x 1" Grade 5 Zinc
8	4	FW 1/2	Flatwasher - 1/2" Zinc Plated USS
9	4	FW 3/8	Flatwasher - 3/8" Zinc Plated USS
10	4	FW 7/16	Flatwasher - 7/16" Zinc Plated USS
11	4	HB 1/2-13X1.5 Z5	Hex Bolt 1/2-13x1 1/2 Grade 5 Zinc Plated Hex Cap Screw
12	4	HB 3/8-16X1 Z5	Hex Bolt 3/8-16x1 Grade 5 Zinc Plated Hex Cap Screw
13	4	HB 3/8-16X1.25 Z5	Hex Bolt 3/8-16x1 1/4 Grade 5 Zinc Plated Hex Cap Screw
14	2	HB 3/8-16X2.75 Z5	Hex Bolt 3/8-16x2 3/4 Grade 5 Zinc Plated Hex Cap Screw
15	4	HB 7/16-14X1.25 Z5	Hex Bolt 7/16-14x1 1/4 Grade 5 Zinc Plated Hex Cap Screw
16	4	HB 7/16-14X1.75 Z5	Hex Bolt 7/16-14x1 3/4 Grade 5 Zinc Plated Hex Cap Screw
17	4	LN 1/2 N	LN 1/2-13 Zinc Plated Nylon Insert Lock Nut
18	26	LN 3/8 N	LN 3/8-16 Zinc Plated Nylon Insert Lock Nut
19	8	LN 7/16 N	LN 7/16-14 Zinc Plated Nylon Insert Lock Nut
40	2	TL550-200-109	Cylinder Support

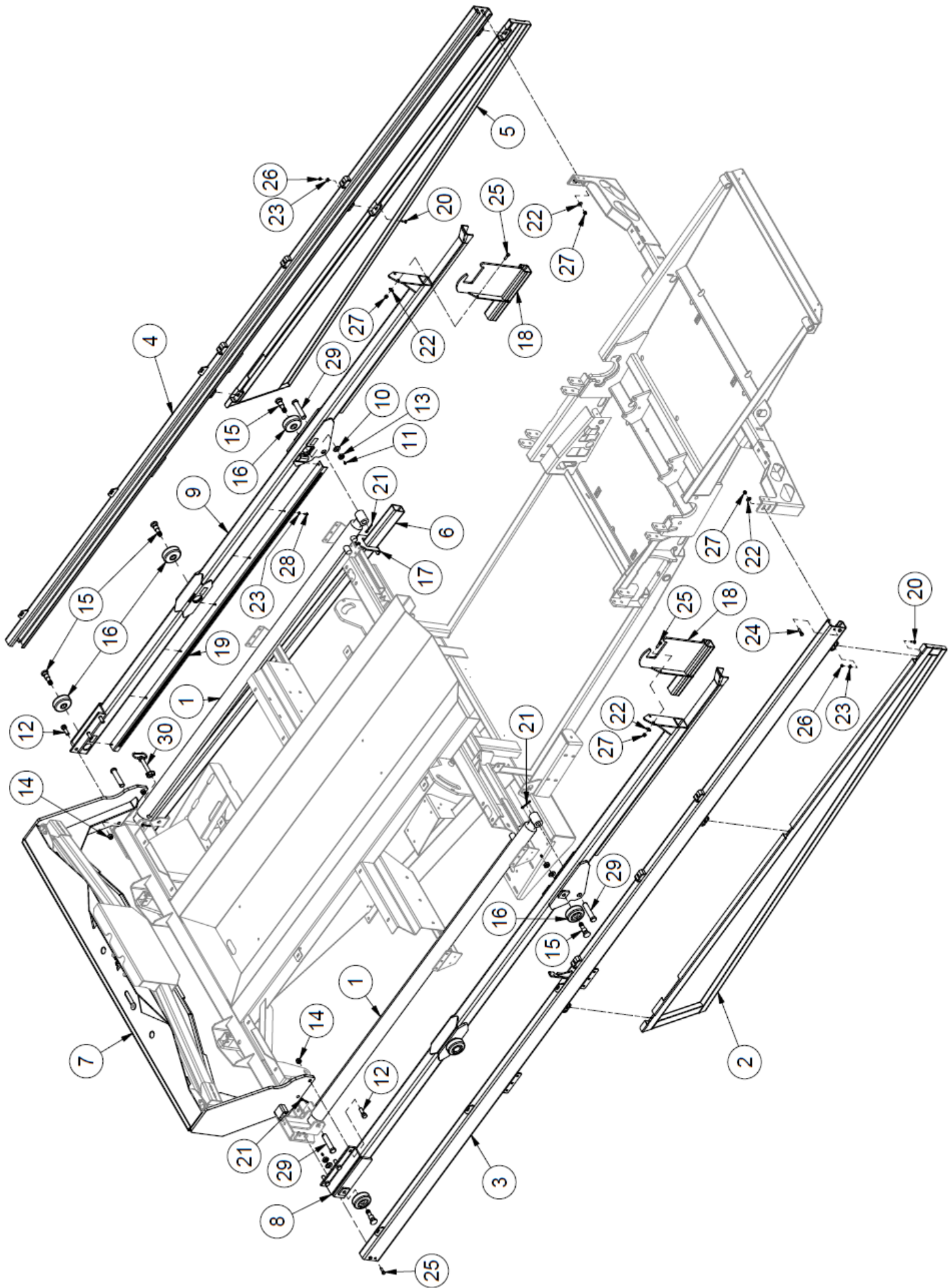
Front Corners



Front Corners

ITEM	QTY	PART NUMBER	DESCRIPTION
1	1	44567	Front Left Corner
2	1	44572	Front Right Corner
3	4	CB 1/2-13 X1.5 Z5	Carriage Bolt - 1/2-13 x 1 1/2" Grade 5 Zinc
4	4	CB 5/8-11 X1.75 Z5	Carriage Bolt - 5/8-11 x 1 3/4" Grade 5 Zinc
5	4	FW 3/8	Flatwasher - 3/8" Zinc Plated USS
6	2	HB 1/2-13X1.5 Z5	Hex Bolt 1/2-13x1 1/2 Grade 5 Zinc Plated Hex Cap Screw
7	4	HB 3/8-16X1.25 Z5	Hex Bolt 3/8-16x1 1/4 Grade 5 Zinc Plated Hex Cap Screw
8	4	HB 5/8-11X1.75 Z5	Hex Bolt 5/8-11x1 3/4 Grade 5 Zinc Plated Hex Cap Screw
9	6	LN 1/2 N	LN 1/2-13 Zinc Plated Nylon Insert Lock Nut
10	4	LN 3/8 N	LN 3/8-16 Zinc Plated Nylon Insert Lock Nut
11	8	LN 5/8 N	LN 5/8-11 Zinc Plated Nylon Insert Lock Nut

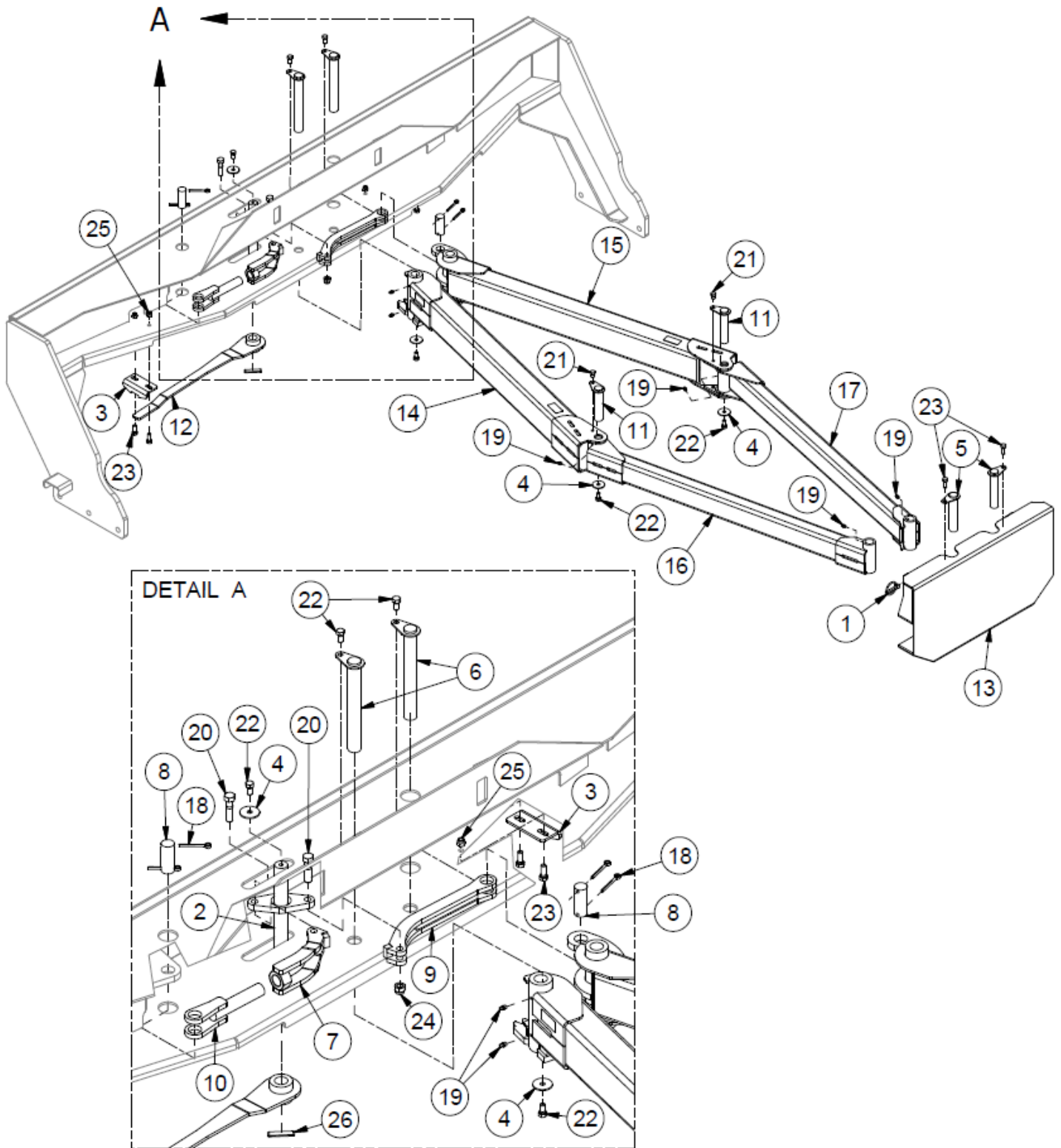
Side Rails



Side Rails

ITEM	QTY	PART NUMBER	DESCRIPTION
1	2	40253	Ram Cylinder
2	1	41684	Back Left Side Shield
3	1	42494	Left Side Rail
4	1	43244	Right Side Rail
5	1	43258	Back Right Side Shield
6	1	44229	Pushoff Tube
7	1	44487	Ram
8	1	44488	Left Side Ram Tube
9	1	44489	Right Side Ram Tube
10	6	FW 3/4	Flatwasher - 3/4" Zinc Plated USS
11	14	GR 1/4 X 28	Grease Fitting 1/4-28 Straight Standard Zerk
12	6	HB 5/8-18X2 Z5	Hex Bolt 5/8-18x2 Grade 5 Zinc Plated Hex Cap Screw
13	6	HN 3/4 JAM	Hex Nut - 3/4-16 Zinc Plated Hex Jam Nut
14	6	LN 5/8 F	Center Locknuts (5/8-18) 2-Way Fine Thread
15	6	TL5X2-301-156	Ram Wheel Axle
16	6	TLWHEEL0205	Ram Rail Wheel
17	1	44592	Pushoff Tube Holder
18	2	44593	Pushoff
19	1	44720	Speed Sensor Guide
20	6	CB 1/4-20 X1 Z5	Carriage Bolt - 1/4-20 x 1" Grade 5 Zinc
21	4	CP.188 X 2	3-16 x 2.25 Cotter Pin, Brass
22	12	FW 3/8	Flatwasher - 3/8" Zinc Plated USS
23	7	FW 3/8 N	Flatwasher - #10 X 0.375" OD 6/6 Natural Nylon Flatwasher
24	4	HB 3/8-16X1.5 Z5	Hex Bolt 3/8-16x1 1/2 Grade 5 Zinc Plated Hex Cap Screw
25	8	HB 3/8-16X1.25 Z5	Hex Bolt 3/8-16x1 1/4 Grade 5 Zinc Plated Hex Cap Screw
26	6	LN 1/4 N	LN 1/4-20 Zinc Plated Nylon Insert Lock Nut
27	12	LN 3/8 N	LN 3/8-16 Zinc Plated Nylon Insert Lock Nut
28	7	MS 10 X 0.75 SDS	Machine Screw - 10 x 3/4 Hex Washer Head Self Drilling Screw Zinc
29	4	TL550-100-042	Cylinder Pin
30	1	TL550-100-050	Pushoff Tube Pin

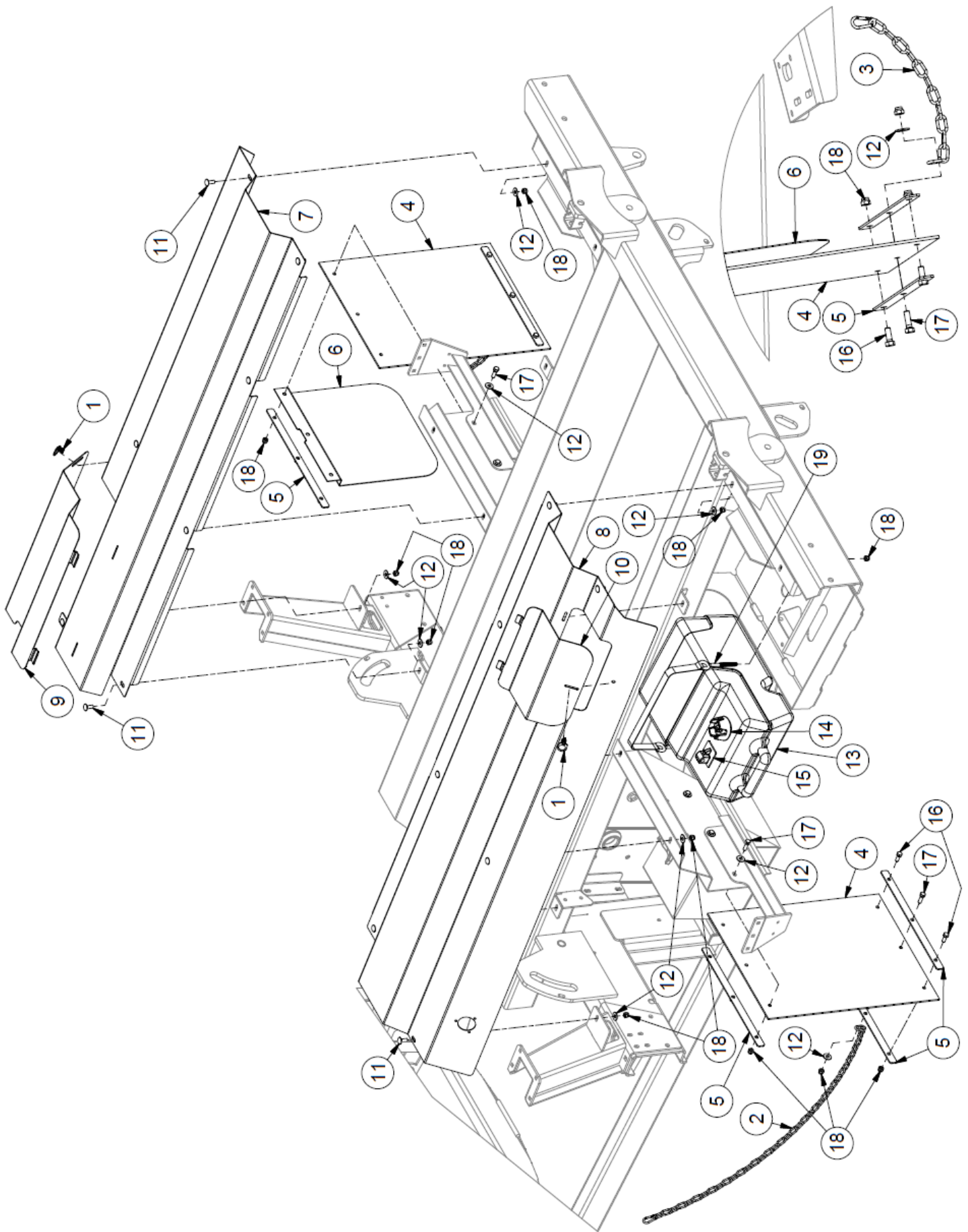
Front Pushoff



Front Pushoff

ITEM	QTY	PART NUMBER	DESCRIPTION
1	2	28940	Lynch Pin - 3/8 X 1-3/4"
2	1	44102	Linkage Pivot
3	2	44103	Handle Holder
4	5	44104	Pin Washer
5	2	44105	Last Pushoff Plate Pin
6	2	44106	Pushoff Middle Pin
7	1	44107	Pivot Adjuster
8	2	44109	Ram Linkage Mount Pin
9	1	44110	Solid Pivot Arm
10	1	44114	Linkage Adjuster
11	2	44480	Last Pushoff Arm Pin
12	1	44481	Last Pushoff Handle
13	1	44482	Push Plate
14	1	44483	Left Front Arm
15	1	44484	Right Front Arm
16	1	44485	Left Short Arm
17	1	44486	Right Short Arm
18	4	CP 3/16 X 2	3-16 x 2.25 Cotter Pin, Brass
19	14	GR 1/4 X 28	Grease Fitting 1/4-28 Straight-Standard Zerk
20	2	HB 1/2-13X2 Z5	Hex Bolt 1/2-13x2 Grade 5 Zinc Plated Hex Cap Screw
21	2	HB 3/8-16X0.5 Z5	Hex Bolt 3/8-16x1/2 Grade 5 Zinc Plated Hex Cap Screw
22	7	HB 3/8-16X0.75 Z5	Hex Bolt 3/8-16x3/4 Grade 5 Zinc Plated Hex Cap Screw
23	6	HB 3/8-16X1 Z5	Hex Bolt 3/8-16x1 Grade 5 Zinc Plated Hex Cap Screw
24	2	LN 1/2 N	LN 1/2-13 Zinc Plated Nylon Insert Lock Nut
25	6	LN 3/8 N	LN 3/8-16 Zinc Plated Nylon Insert Lock Nut
26	1	RP 3/8 x 2	Pin - Roll Pin 3/8 x 2

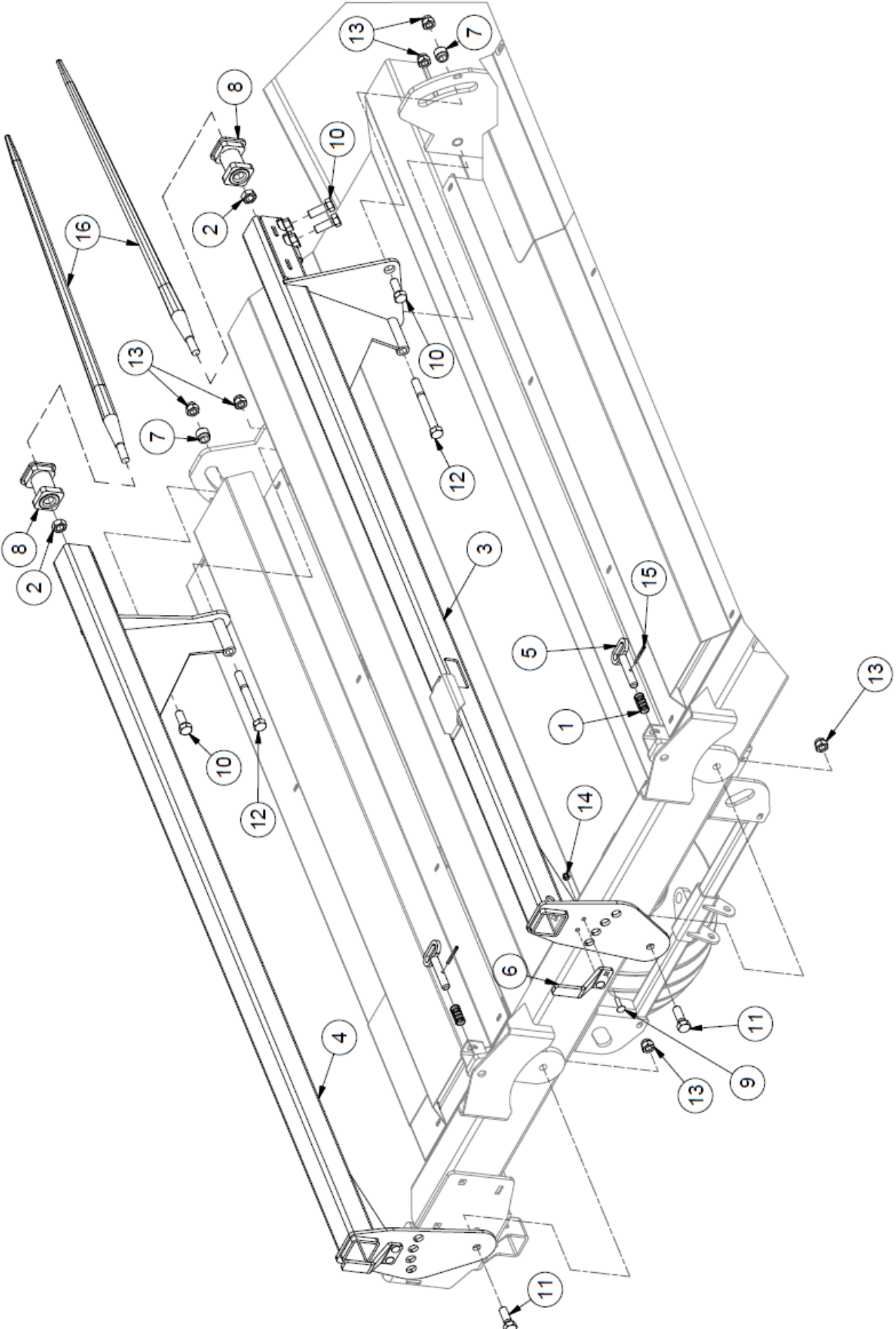
Bale Deck



Bale Deck

ITEM	QTY	PART NUMBER	DESCRIPTION
1	3	36268	Camlock
2	1	40958	Right Mud Flap Chain
3	1	40959	Right Mud Flap Chain
4	2	44231	Mud Flap
5	5	44232	Mud Flap Bracket
6	1	44234	Mud Flap Shield
7	1	44575	Left Fender
8	1	44586	Right Fender
9	1	44587	Engine Cover
10	1	44588	Gas Fill Lid
11	14	CB 3/8-16 X1 Z5	Carriage Bolt - 3/8-16 x 1" Grade 5 Zinc
12	22	FW 3/8	Flatwasher - 3/8" Zinc Plated USS
13	1	TL550-204-100	Fuel Tank
14	1	TL550-204-101	Vented Cap for Fuel Tank
15	1	TL550-204-103	Fuel Gauge - Bale Wrapper
16	4	HB 3/8-16X1 Z5	Hex Bolt 3/8-16x1 Grade 5 Zinc Plated Hex Cap Screw
17	8	HB 3/8-16X1.25 Z5	Hex Bolt 3/8-16x1 1/4 Grade 5 Zinc Plated Hex Cap Screw
18	35	LN 3/8 N	LN 3/8-16 Zinc Plated Nylon Insert Lock Nut
19	1	TL550-204-110	Tie Down Strap (Fuel Tank)

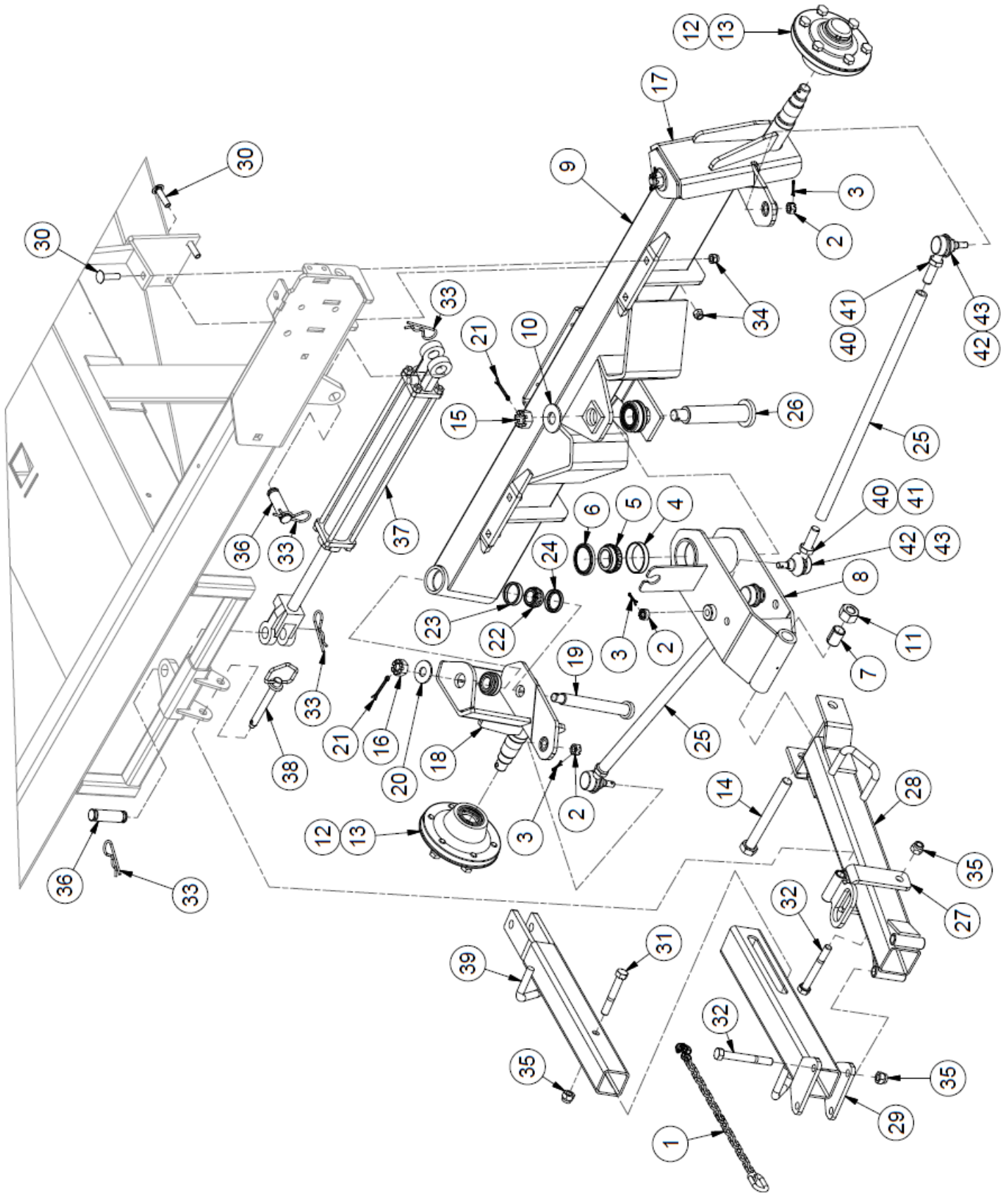
Bale Saddles



Bale Saddles

ITEM	QTY	PART NUMBER	DESCRIPTION
1	3	27566	Last Pushoff Spring Pin
2	2	39510	Conus I Nut
3	1	44551	Left Bale Saddle
4	1	44560	Right Bale Saddle
5	3	44563	Bed Lock Handle
6	2	44566	Handle
7	2	44591	Bolt Bushing
8	2	44619	Spear Sprocket
9	4	CB 3/8-16 X1.5 Z5	Carriage Bolt - 3/8-16 x 1 1/2" Grade 5 Zinc
10	6	HB 3/4-10X2 Z5	Hex Bolt 3/4-10x2 Grade 5 Zinc Plated Hex Cap Screw
11	2	HB 3/4-10X2.25 Z5	Hex Bolt 3/4-10x2 1/4 Grade 5 Zinc Plated Hex Cap Screw
12	2	HB 3/4-10X7 Z5	Hex Bolt 3/4-10x7 Grade 5 Zinc Plated Hex Cap Screw
13	6	LN 3/4 N	LN 3/4-10 Zinc Plated Nylon Insert Lock Nut
14	4	LN 3/8 N	LN 3/8-16 Zinc Plated Nylon Insert Lock Nut
15	2	RP 1/4 x 2 1/4	Pin - Roll Pin 1/4 x 2 1/4
16	2	TL5X2-301-144	Bale Spear (43" Tine Conus 1)

Steering



Steering

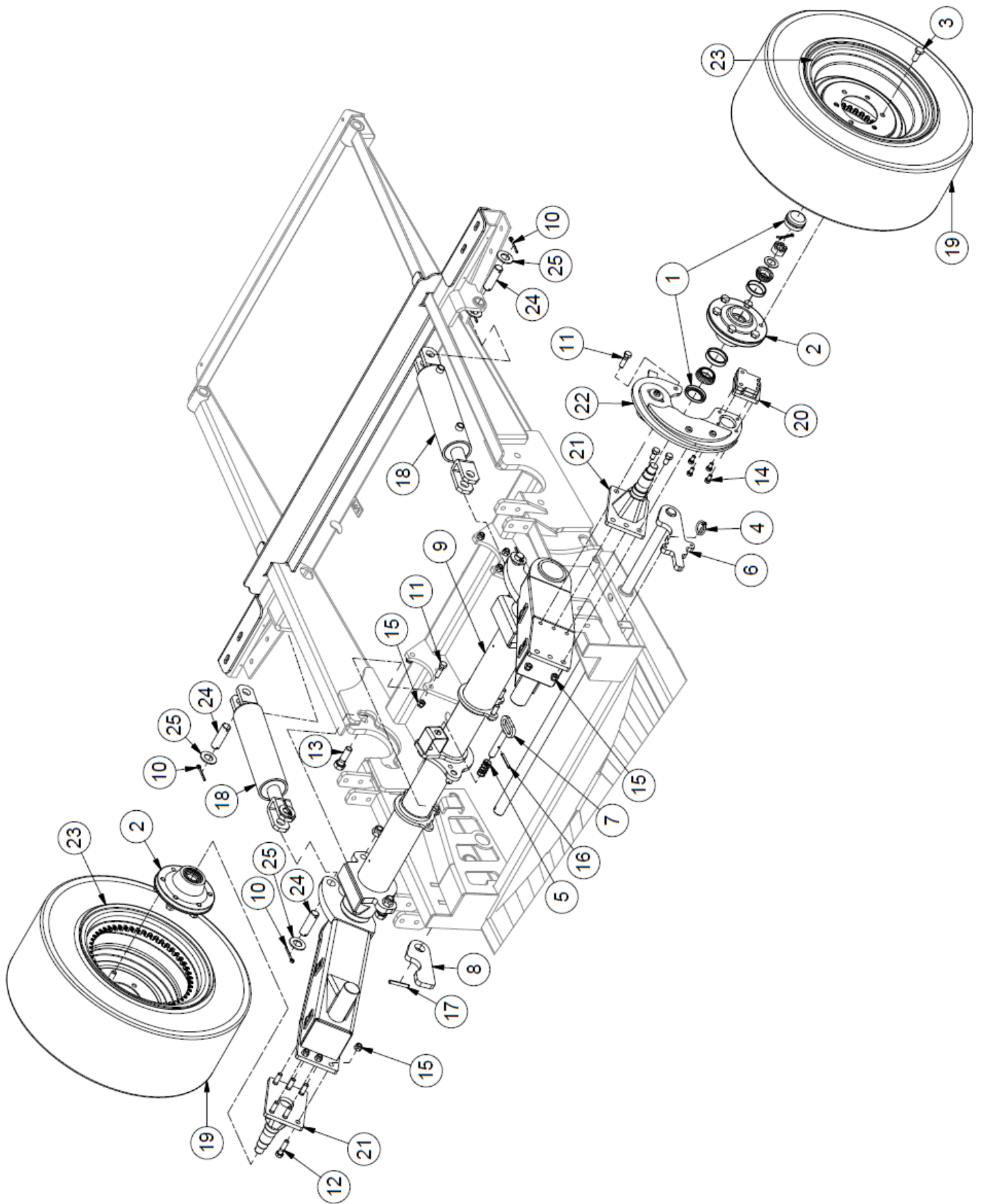
ITEM	QTY	PART NUMBER	DESCRIPTION
1	1	25261	Safety Chain 10000 # 59"
2	1	TL550-111-004	Hex Nut, Slotted 9/16" NF
3	1	TL550-111-005	Cotter Pin, 1/8 x 1
4	2	TL550-111-009	Tongue Bracket Timkin Cup
5	2	TL550-111-010	Tongue Bracket Timkin Cone
6	2	TL550-111-011	Tongue Bracket Seal
7	2	TL550-111-012	Tongue Bracket Bushing
8	1	TL550-221-008	Tongue Bracket
9	1	41971	Front Axle Weldment
10	1	FW 1.0	Flatwasher - 1" Zinc Plated USS
11	1	HB 7/8-9X8.0 Z5	Hex Bolt Plated Gr. 5 NC
12	2	HUB 4000-CCS	Complete Bearing and Seals for Hub 4000
13	2	HUB 4000#	Complete Assembly Hub 4000
14	1	LN 7/8 N	Locknuts 7/8-9 Zinc Plated Nylon Insert Lock Nut
15	1	TL500-100-070	Hex Nut, Slotted 1"
16	2	TL500-100-070	Hex Nut, Slotted 1"
17	1	TL550-100-083	Front Left Spindle Assembly
18	1	TL550-100-084	Front Right Spindle Assembly
19	2	TL550-100-085	Spindle Pin
20	2	TL550-111-014	Flat Washer, 13/16
21	3	TL550-111-016	Cotter Pin, 3/16 x 2
22	4	TL550-200-080	Spindle Bearing Timkin Cone
23	4	TL550-200-081	Spindle Bearing Timkin Cup
24	4	TL550-200-082	Spindle Bearing Seal
25	2	TL550-220-001	Tie Rod
26	1	TL550-221-013	Tongue Bracket Pin
27	1	44170	Tongue Holder
28	1	44176	Upper Tongue Assembly
29	1	44179	Tongue Swinging End
30	8	CB 1/2-13 X2 Z5	Carriage Bolt - 1/2-13 x 2" Grade 5 Zinc
31	1	HB 5/8-11X4 Z5	Hex Bolt 5/8-11x4 Grade 5 Zinc Plated Hex Cap Screw
32	2	HB 5/8-11X5 Z5	Hex Bolt 5/8-11x5 Grade 5 Zinc Plated Hex Cap Screw
33	4	HP 5/32 X 3.0	Pin Hair - #9 9Ga 3-1/16" OAL Zinc Plated
34	8	LN 1/2 N	LN 1/2-13 Zinc Plated Nylon Insert Lock Nut
35	3	LN 5/8 N	LN 5/8-11 Zinc Plated Nylon Insert Lock Nut
36	6	TL5X2-500-116	Cylinder Pin
37	1	TL500-100-103	Hydraulic Cylinder, 2 x 16
38	1	TL500-100-154	Tongue Pin
39	1	TL550-100-053	Sliding Tongue
40	2	TL550-111-002*	Jam Nut, 3/4 (NF LH)
41	2	TL550-111-003*	Jam Nut, 3/4 (NF RH)
42	2	TL550-111-006*	Tie Rod End Right Thread
43	2	TL550-111-007*	Tie Rod End Left Thread

*When ordering tie rod ends check if you need a left hand or right hand thread.
Tie rods require both a left and right hand thread.

Roller Bed

ITEM	QTY	PART NUMBER	DESCRIPTION
1	3	25680	Lynch Pin 3/16 X 1.5
2	2	44181	6 5/8" Roller
3	7	44186	4" Roller
4	1	44193	Roller
5	1	44198	Right Rear Small Roller Mount
6	1	44200	Left Rear Small Roller Mount
7	2	44650	Bed Pivot Pin
8	2	44653	Linkage
9	1	44654	Bed Linkage
10	1	44655	Roller Bed Pivot Frame
11	1	44661	Bed Linkage
12	1	44666	Roller Bed
13	18	BEA P205-16-1	Pillow Block Bearing 1"- BEA SBP205-16-1
14	2	FW 1/4	Flatwasher - 1/4" Zinc Plated USS
15	72	FW 3/8	Flatwasher - 3/8" Zinc Plated USS
16	4	FW 5/16	Flatwasher - 5/16" Zinc Plated USS
17	2	GR 1/4 X 28	Grease Fitting 1/4-28 Strght-Standrd Zerk
18	6	HB 1/4-20X0.75 Z5	Hex Bolt 1/4-20x3/4 Grade 5 Zinc Plated Hex Cap Screw
19	2	HB 1/4-20X1.5 Z5	Hex Bolt 1/4-20x1 1/2 Grade 5 Zinc Plated Hex Cap Screw
20	2	HB 1-8X7 Z5	Hex Bolt 1-8x7 Grade 5 Zinc Plated Hex Cap Screw
21	2	HB 3/4-10X2.5 Z5	Hex Bolt 3/4-10x2 1/2 Grade 5 Zinc Plated Hex Cap Screw
22	3	HB 3/4-10X3 Z5	Hex Bolt 3/4-10x3 Grade 5 Zinc Plated Hex Cap Screw
23	8	HB 3/8-16X1.5 Z5	Hex Bolt 3/8-16x1 1/2 Grade 5 Zinc Plated Hex Cap Screw
24	4	HB 5/16-18X1.25 FHSCS	Hex Bolt - 5/16"-18 x 1 1/4" Flat Socket Cap Screw
25	2	LN 1 N	LN 1-8 Zinc Plated Nylon Insert Lock Nut
26	2	LN 1/4 N	LN 1/4-20 Zinc Plated Nylon Insert Lock Nut
27	5	LN 3/4 N	LN 3/4-10 Zinc Plated Nylon Insert Lock Nut
28	36	LN 3/8 N	LN 3/8-16 Zinc Plated Nylon Insert Lock Nut
29	4	LN 5/16 N	LN 5/16-18 Zinc Plated Nylon Insert Lock Nut
30	2	T650RL04	Small Roller Bearing

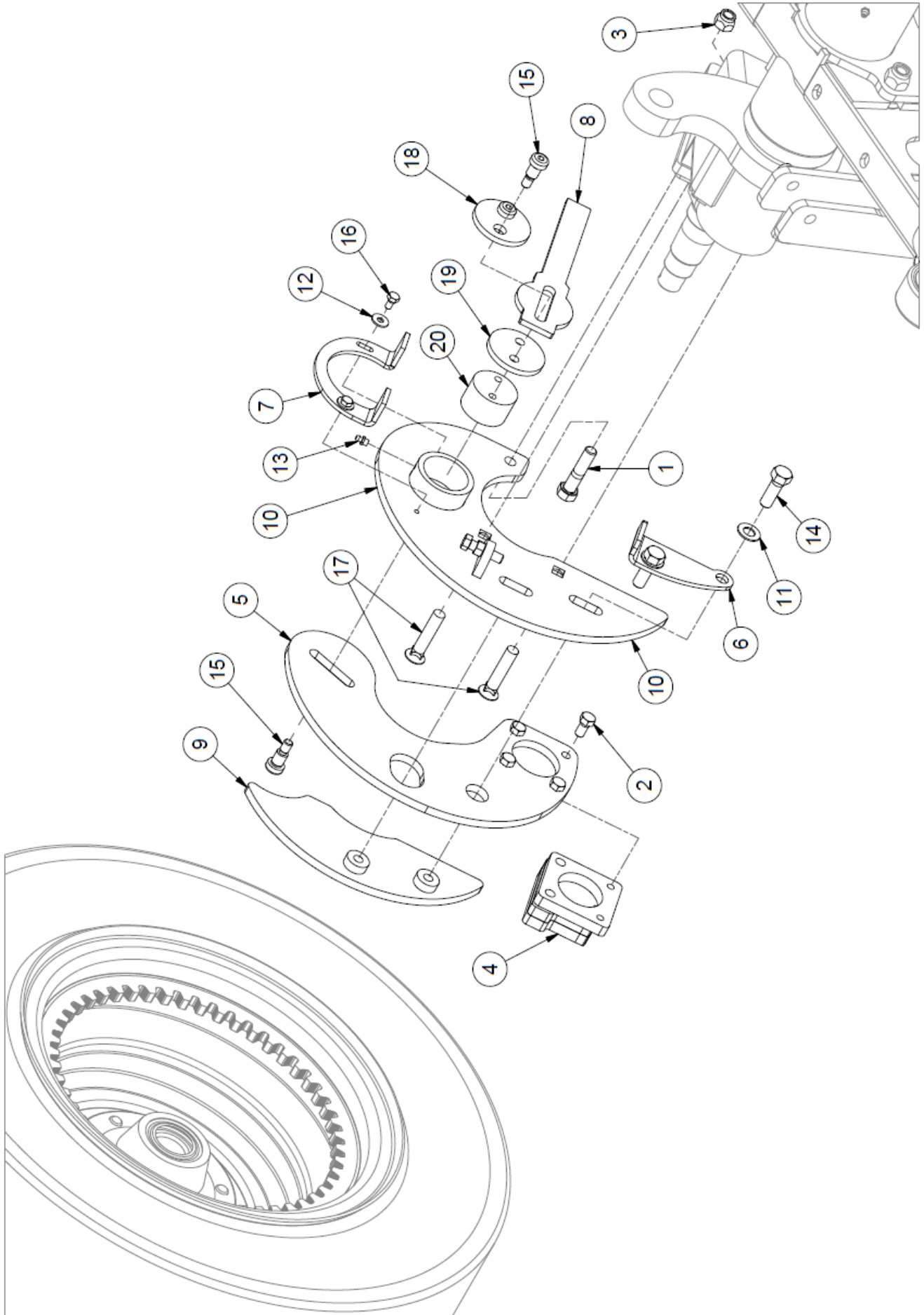
Rear Axle



Rear Axle

ITEM	QTY	PART NUMBER	DESCRIPTION
1	2	HUB4000-CCS	Complete Bearing and Seals Kit
2	2	HUB 4000#	Hub 4000 lb
3	12	TL500-100-072	Wheel Stud - Wheel Bolt 9/16 x 1 3/4
4	1	25680	Lynch Pin 3/16 x 1.5
5	1	27566	Last Pushoff Spring Pin
6	1	43395	Left Side Lock Yoke
7	1	44563	Bed Lock Handle
8	1	44662	Right Side Lock Yoke
9	1	44840	TL60 Cam Axle
10	8	CP.188 X 2	3-16 x 2.25 Cotter Pin, Brass
11	7	HB 1/2-13X1.75 Z5	Hex Bolt 1/2-13x1 3/4 Grade 5 Zinc Plated Hex Cap Screw
12	3	HB 1/2-13X2 Z5	Hex Bolt 1/2-13x2 Grade 5 Zinc Plated Hex Cap Screw
13	4	HB 3/4-10X2.5 Z5	Hex Bolt 3/4-10x2 1/2 Grade 5 Zinc Plated Hex Cap Screw
14	4	HB 3/8-16X0.75 Z5	Hex Bolt 3/8-16x3/4 Grade 5 Zinc Plated Hex Cap Screw
15	5	LN 1/2 N	LN 1/2-13 Zinc Plated Nylon Insert Lock Nut
16	1	RP 1/4 x 2 1/4	Pin - Roll Pin 1/4 x 2 1/4
17	1	RP 3/8 x 2 1/2	Pin - Roll Pin 3/8 x 2 1/2
18	2	TL5X2-100-207	Cylinder, 3 .5 x 8
19	2	TL5X2-500-114	Lug Tire
20	1	TL109-100-345	Brake Pad
21	2	TL109-100-356	Rear Axle Spindle
22	1	TL109-100-360	Power Drive Assembly RH
23	2	TL550-200-134	Rim c/w Gear
24	4	43229	1" Cylinder Pin
25	8	FW 1.0	Flatwasher - 1" Zinc Plated USS

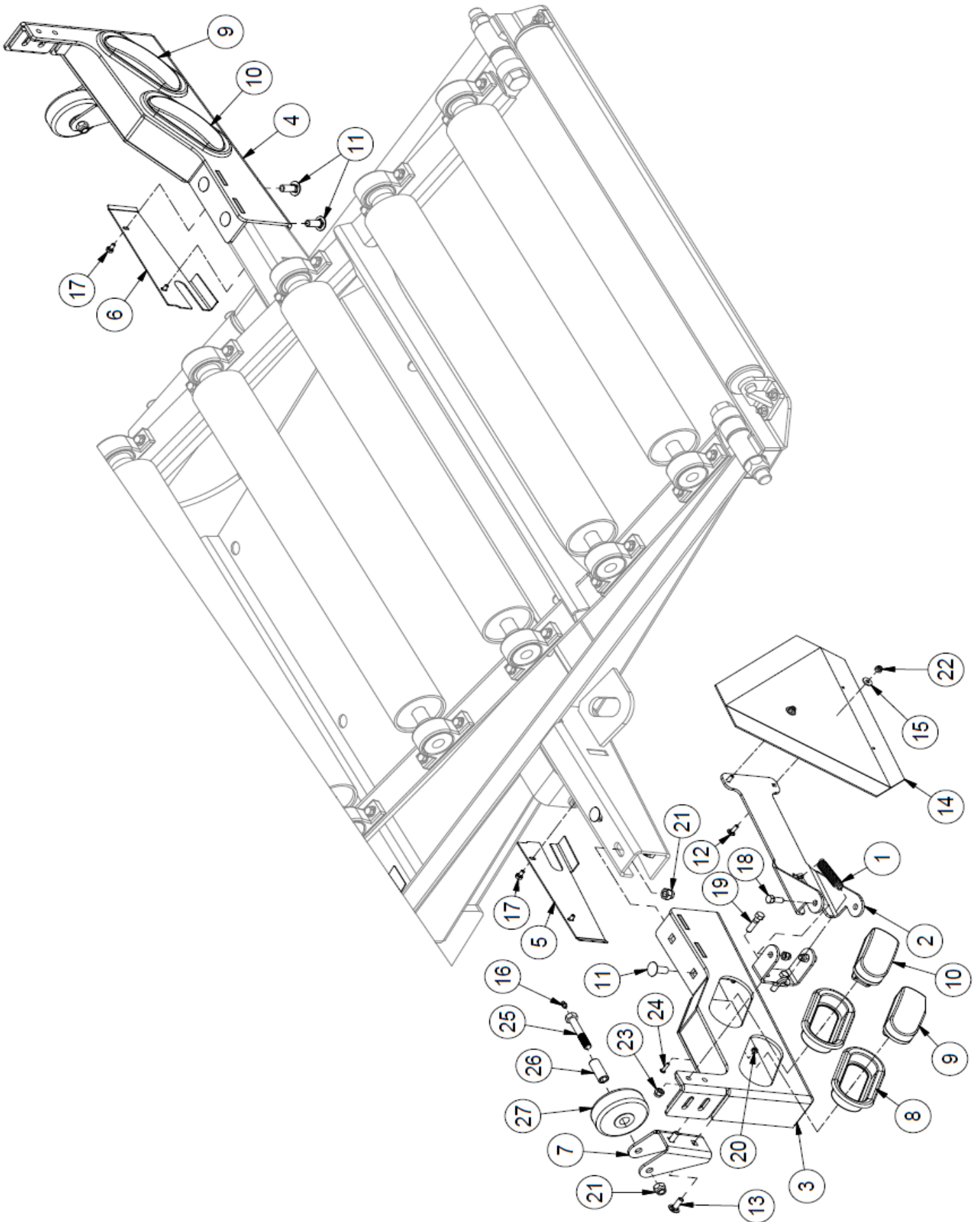
Parking Brake



Parking Brake

ITEM	QTY	PART NUMBER	DESCRIPTION
1	1	HB 1/2-13X2.25 Z5	Hex Bolt 1/2-13x2 1/4 Grade 5 Zinc Plated Hex Cap Screw
2	4	HB 3/8-16X0.75 Z5	Hex Bolt 3/8-16x3/4 Grade 5 Zinc Plated Hex Cap Screw
3	1	LN 1/2 N	LN 1/2-13 Zinc Plated Nylon Insert Lock Nut
4	1	TL109-100-345	Brake Pad
5	1	25116	Drive Engaging Plate
6	1	25119	Outside Plate Guide
7	1	25121	Handle Lock
8	1	25122	Handle
9	1	25123	Bolt-on Plate
10	1	25124	Plate - Power Drive Weldment
11	2	FW 1/2	Flatwasher - 1/2" Zinc Plated USS
12	2	FW 1/4	Flatwasher - 1/4" Zinc Plated USS
13	1	GR 1/4 X 28	Grease Fitting 1/4-28 Straight Standard Zerk
14	2	HB 1/2-13X1.5 Z5	Hex Bolt 1/2-13x1 1/2 Grade 5 Zinc Plated Hex Cap Screw
15	3	HB 1/2X5/8 SS	Socket Head Shoulder Screws - 1/2 Shldr x 5/8 x 3/8-16
16	2	HB 1/4-20X0.5 Z5	Hex Bolt 1/4-20x1/2 Grade 5 Zinc Plated Hex Cap Screw
17	2	PB 1/2-13X2.5	Plow Bolts - 1/2-13 x 2 1/2 Flat Head Gr.5
18	1	WHEEL2012	Outside Handle Washer
19	1	WHEEL20121	Inside Handle Washer
20	1	WHEEL9	Eccentric

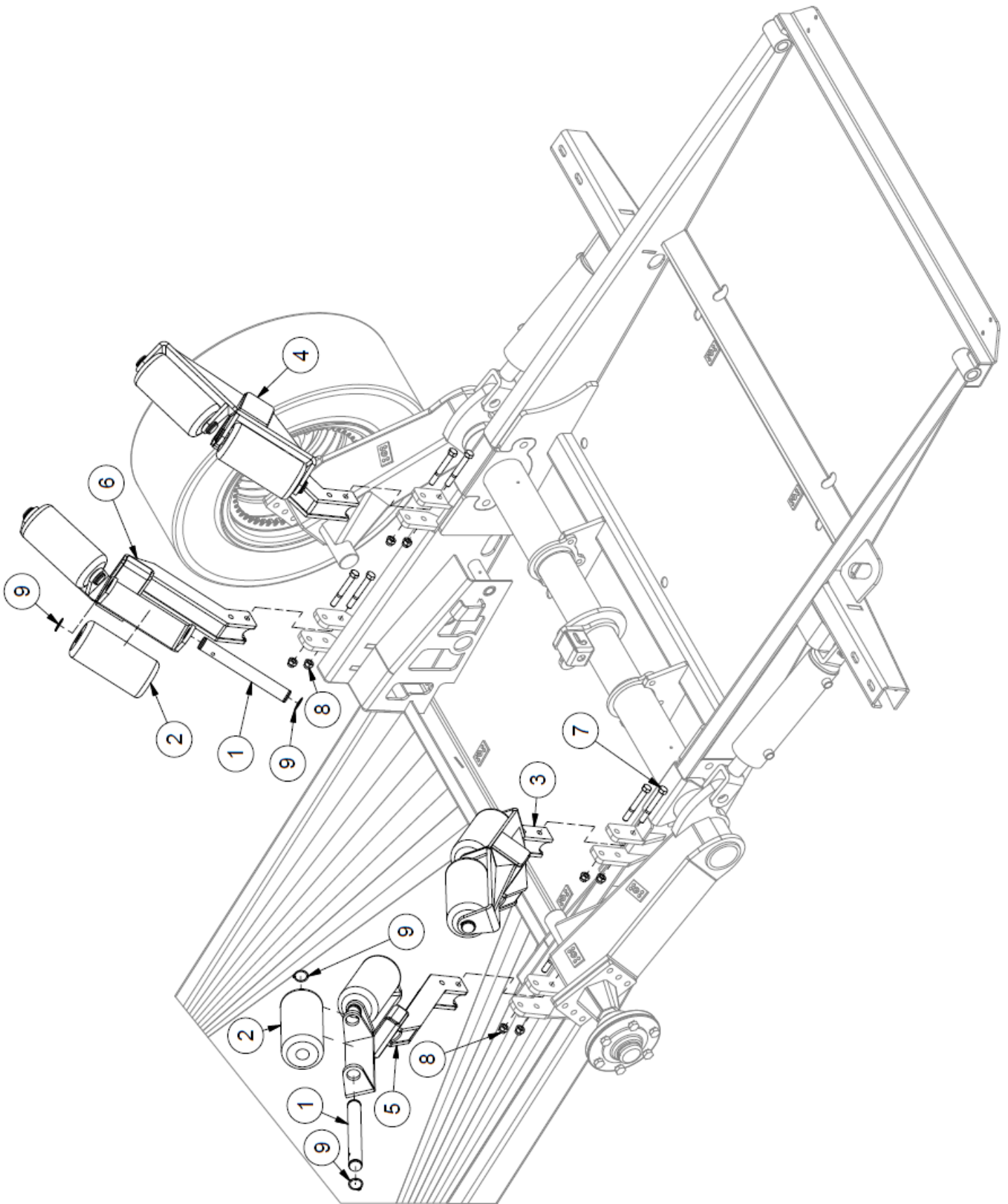
Rear Light Brackets



Rear Light Brackets

ITEM	QTY	PART NUMBER	DESCRIPTION
1	1	28771	SMV Spring
2	1	44204	SMV Attachment
3	1	44673	Left Side Light Bracket
4	1	44680	Right Side Light Bracket
5	1	44682	Rear Left Cap
6	1	44683	Rear Right Cap
7	2	44684	Back Guide Wheel Mount
8	1	TL5X2-500-136	Light Mount Grommet
9	1	TL5X2-500-138	Amber Light
10	1	TL5X2-500-137	Red Brake Light
11	8	CB 1/2-13 X1.25 Z5	Carriage Bolt - 1/2-13 x 1 1/4" Grade 5 Zinc
12	2	CB 1/4-20 X0.75 Z5	Carriage Bolt - 1/4-20 x 3/4" Grade 5 Zinc
13	4	CB 3/8-16 X1 Z5	Carriage Bolt - 3/8-16 x 1" Grade 5 Zinc
14	1	DESMV	Slow Moving Vehicle Sign
15	2	FW 1/4	Flatwasher - 1/4" Zinc Plated USS
16	2	GR 1/4 X 28	Grease Fitting 1/4-28 Strght-Standr Zerk
17	4	HB 1/4-20X0.5 Z5	Hex Bolt 1/4-20x1/2 Grade 5 Zinc Plated Hex Cap Screw
18	2	HB 3/8-16X1 Z5	Hex Bolt 3/8-16x1 Grade 5 Zinc Plated Hex Cap Screw
19	2	HB 3/8-16X1.5 Z5	Hex Bolt 3/8-16x1 1/2 Grade 5 Zinc Plated Hex Cap Screw
20	2	LN #10 N	LN 3/16-24 Zinc Plated Nylon Insert Lock Nut
21	8	LN 1/2 N	LN 1/2-13 Zinc Plated Nylon Insert Lock Nut
22	4	LN 1/4 N	LN 1/4-20 Zinc Plated Nylon Insert Lock Nut
23	4	LN 3/8 N	LN 3/8-16 Zinc Plated Nylon Insert Lock Nut
24	2	MS #10X24X0.75	Machine Screw - (Inch)
25	2	TL500-100-015	Hoop Wheel Axle Bolt
26	2	TL550-200-016	Spanner
27	2	TLWHEEL01	Hoop Wheel

Guide Rollers - Standard

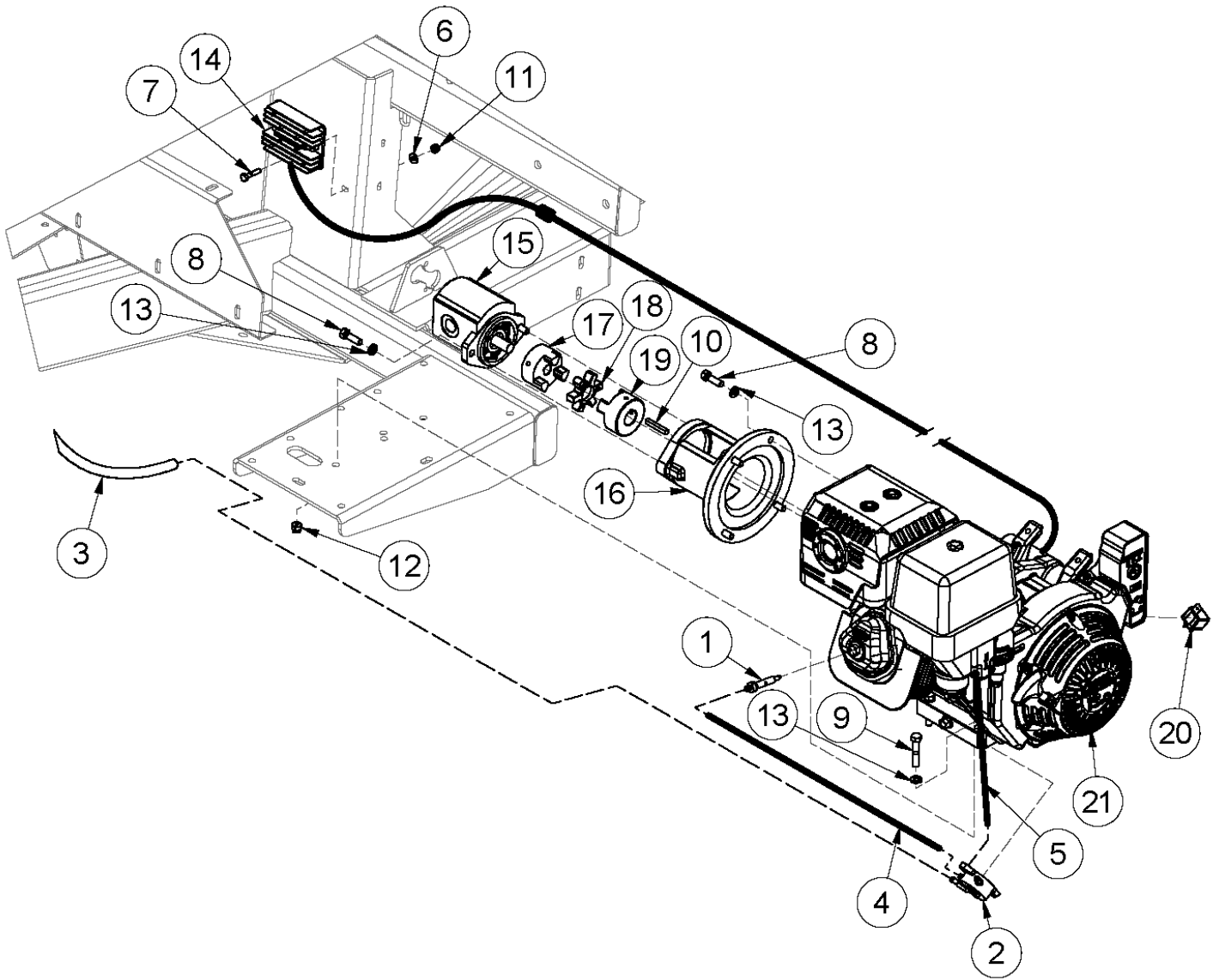


Guide Rollers - Standard

ITEM	QTY	PART NUMBER	DESCRIPTION
1	8	41302	Guide Roller Shaft
2	8	41604	8" UHMW Guide Roller
3	1	43389	Left Back Guid Roller Mount
4	1	43392	Right Back Guide Roller Mount
5	1	44685	Left Front Guide Roller Mount
6	1	44696	Right Front Guide Roller Mount
7	8	HB 1/2-13X4 Z5	Hex Bolt 1/2-13x4 Grade 5 Zinc Plated Hex Cap Screw
8	8	LN 1/2 N	LN 1/2-13 Zinc Plated Nylon Insert Lock Nut
9	16	RR 1.188	Retaining Ring-1 3/16- External

Section 2: Engines

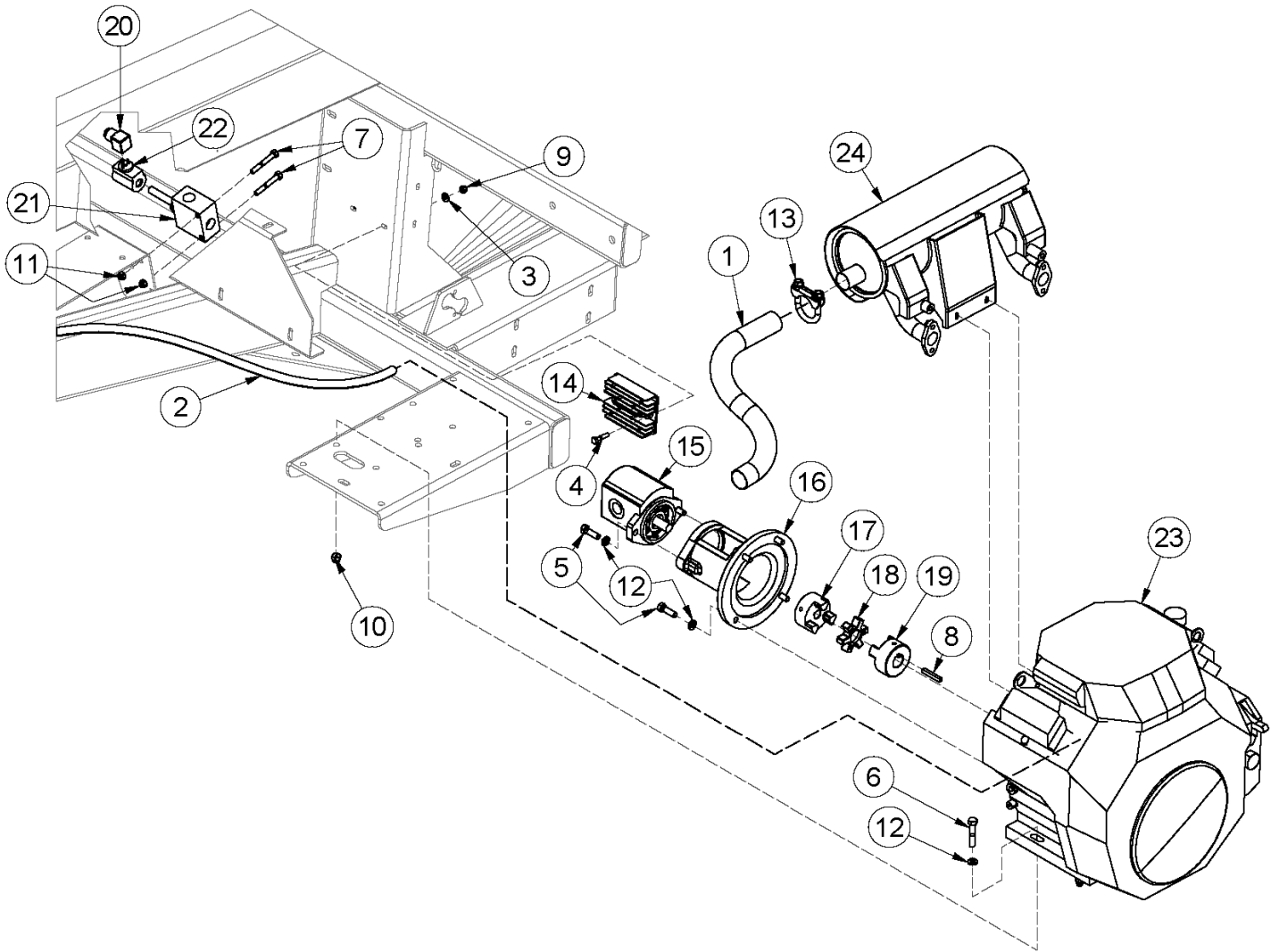
TL13HP - 13hp Honda



TL13Hp - 13hp Honda

ITEM	QTY	PART NUMBER	DESCRIPTION
1	1	25591	13HP Valve Cover Bolt for Fuel Pump
2	1	25649	Fuel Pump (Honda #16700Z0J013)
3	1	40957	Long Fuel Line
4	1	40962	Piston Discharge Line
5	1	40963	Engine Fuel Line
6	2	FW 1/4	Flatwasher - 1/4" Zinc Plated USS
7	2	HB 1/4-20X1.1/4 Z5	Hex Bolt - 1/4"-20 x 1-1/4" Grade 5 Zinc Plated Hex Cap Screw
8	6	HB 3/8-16X1.1/4 Z5	Hex Bolt 3/8-16 x 1 1/4" Grade 5 Zinc Plated Hex Cap Screw N.C.
9	4	HB 3/8-16X2.0 Z5	Hex Bolt 3/8-16 x 2" Grade 5 Zinc Plated Hex Cap Screw N.C.
10	1	KS40960	Key .25 x 1.75
11	2	LN 1/4 N	Locknuts - 1/4-20 Zinc Plated Nylon Insert
12	4	LN 3/8 N	Locknuts - 3/8-16 Zinc Plated Nylon Insert Lock Nut
13	10	LW 3/8	Lockwasher - 3/8" Zinc Plated Medium Split
14	1	TL31620-ZG5-033	Honda 20 Amp Rectifier for 13.5 & 20 HP (GX620 Engine Only)
15	1	TL500-100-181	Hydraulic Pump (13 HP Engine)
16	1	TL500-100-182	Adapter, Engine to Pump
17	1	TL500-100-183	Lovejoy Coupling Pump Side
18	1	TL500-100-184	Coupling Spacer
19	1	TL500-100-185	Love Joy Coupling Engine Side
20	1	TL500-100-220	35 AMP Relay
21	1	TL5X2-100-200	13 HP Honda 18 Amp Engine

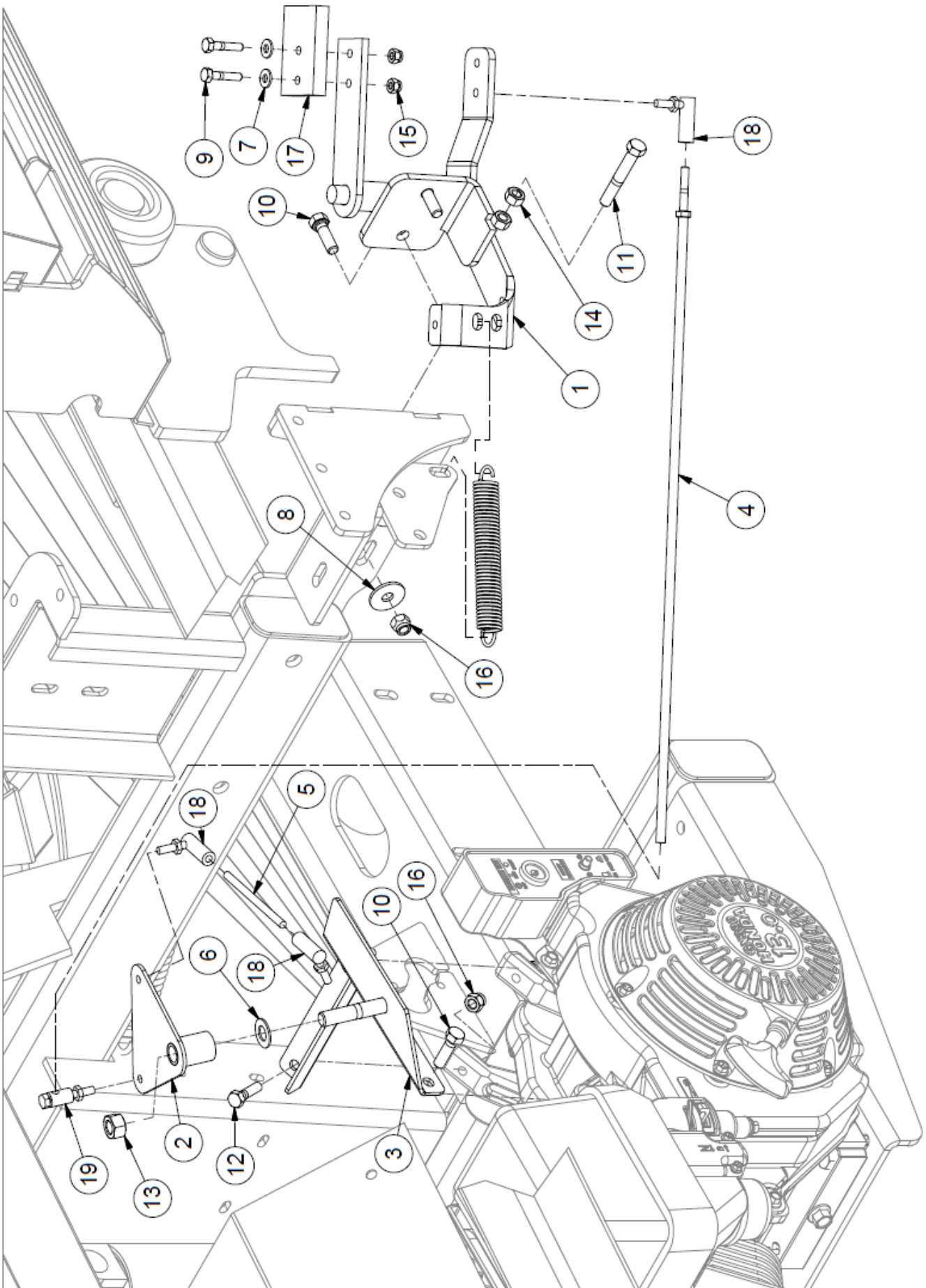
TL20HP - 20hp Honda



TL20HP - 20hp Honda

ITEM	QTY	PART NUMBER	DESCRIPTION
1	1	36945	20 HP Muffler Pipe
2	1	40957	Long Fuel Line
3	2	FW 1/4	Flatwasher - 1/4" Zinc Plated USS (6480)
4	2	HB 1/4-20X1.1/4 Z5	Hex Bolt - 1/4"-20 x 1-1/4" Grade 5 Zinc Plated Hex Cap Screw
5	6	HB 3/8-16X1.1/4 Z5	Hex Bolt 3/8-16 x 1 1/4" Grade 5 Zinc Plated Hex Cap Screw N.C.
6	4	HB 3/8-16X2.0 Z5	Hex Bolt 3/8-16 x 2" Grade 5 Zinc Plated Hex Cap Screw N.C.
7	2	HB 5/16-18X2.1/4 Z5	Hex Bolt - 5/16-18 x 2-1/4 Grade 5 Zinc Hex Cap Screw
8	1	KS40960	Key .25 x 1.75
9	2	LN 1/4 N	Locknuts - 1/4-20 Zinc Plated Nylon Insert
10	4	LN 3/8 N	Locknuts - 3/8-16 Zinc Plated Nylon Insert Lock Nut
11	2	LN 5/16 N	Locknut - 5/16-18 Type NE Zinc Plated Nylon Insert
12	10	LW 3/8	Lockwasher - 3/8" Zinc Plated Medium Split (5500)
13	1	MC 1 1/2	Muffler Clamp 1 1/2" Pipe (MC7112)
14	1	TL31750-Z2E-803	Honda 20AMP Rectifier for GX630 Engine
15	1	TL5X2-101-181	Hydraulic Pump (20 HP Engine)
16	1	TL500-100-182	Adapter, Engine to Pump
17	1	TL500-100-183	Lovejoy Coupling Pump Side
18	1	TL500-100-184	Coupling Spacer
19	1	TL500-100-185	Love Joy Coupling Engine Side
20	1	31305	Wiring Harness for Dump Valve
21	1	TL6X2-102-202	Dump Valve (Includes Base and Relief)
21A	1	31545	Dump Valve Body and Cartridge (20 HP)
22	1	TL6X2-102-204	Dump Valve Solenoid (Coil) Round Coil
22A	1	31546	Dump Valve Solenoid (Coil) Square Coil
23	1	TL6X2-100-200	20 HP Honda Engine
24	1	TLVHRM6	Muffler

13hp Throttle Linkage



13hp Throttle Linkage

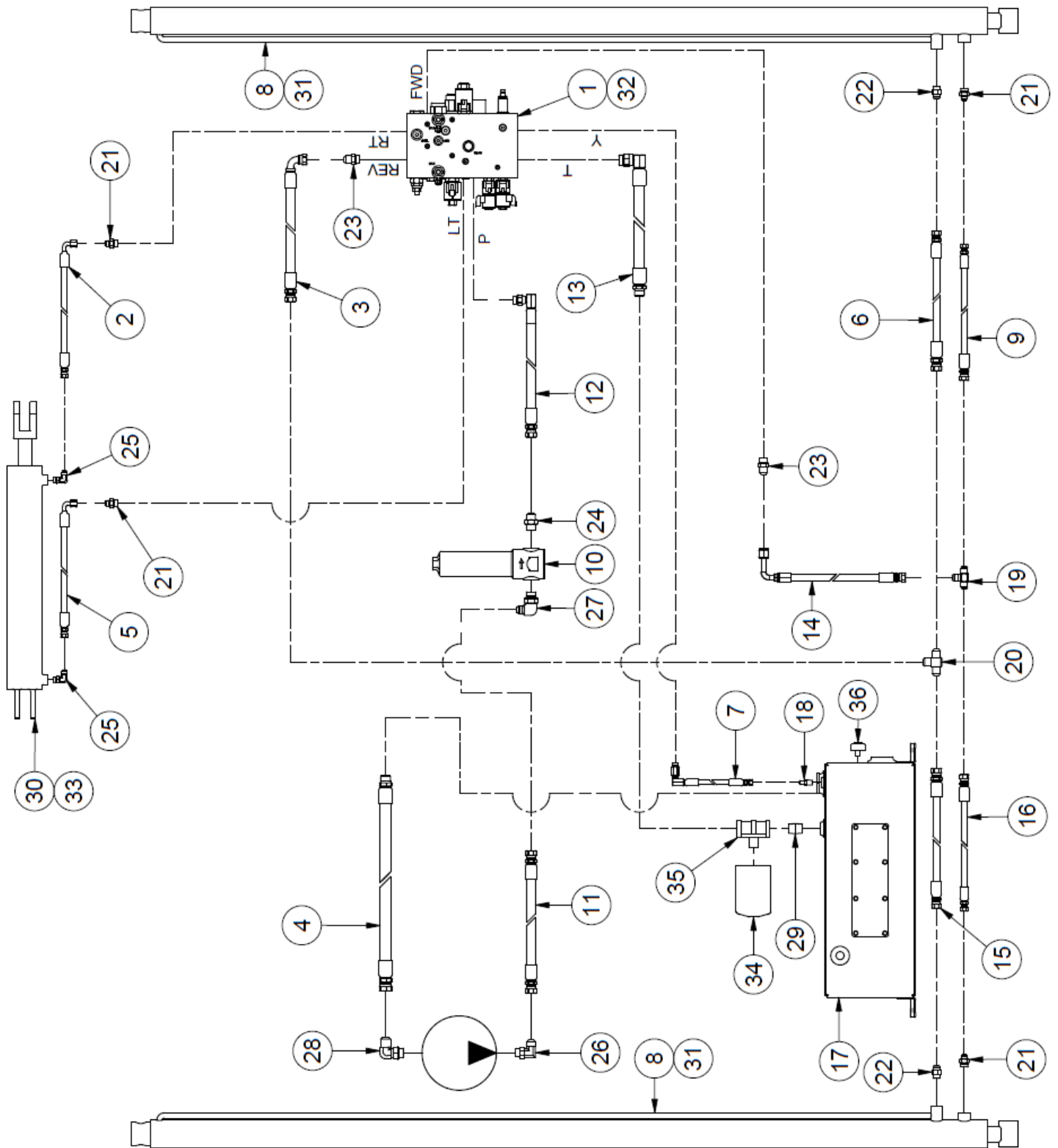
ITEM	QTY	PART NUMBER	DESCRIPTION
1	1	43821	Throttle Bracket
2	1	43822	Throttle Swivel Plate
3	1	43823	Throttle Swivel Mount Base
4	1	43828	13hp Control Rod
5	1	43831	1/4 x 4 UNF Rod
6	1	FW 1/2	Flatwasher - 1/2" Zinc Plated USS
7	2	FW 1/4	Flatwasher - 1/4" Zinc Plated USS
8	2	FW 3/8	Flatwasher - 3/8" Zinc Plated USS
9	2	HB 1/4-20X1.25 Z5	Hex Bolt 1/4-20x1 1/4 Grade 5 Zinc Plated Hex Cap Screw
10	1	HB 3/8-16X1.25 Z5	Hex Bolt 3/8-16x1 1/4 Grade 5 Zinc Plated Hex Cap Screw
11	1	HB 3/8-16X2.5 Z5	Hex Bolt 3/8-16x2 1/2 Grade 5 Zinc Plated Hex Cap Screw
12	2	HB 5/16-18X1.25 Z5	Hex Bolt 5/16-18x1 1/4 Grade 5 Zinc Plated Hex Cap Screw
13	1	HN 1/2	Hex Nut 1/2"-13 Grade 5 Zinc Plated Finished
14	1	HN 3/8	Hex Nut 3/8"-16 Grade 5 Zinc Plated Finished
15	2	LN 1/4 N	LN 1/4-20 Zinc Plated Nylon Insert Lock Nut
16	5	LN 3/8 N	LN 3/8-16 Zinc Plated Nylon Insert Lock Nut
17	1	TL5X2-100-232	Striker Block
18	3	TL550-100-065	Ball Joint
19	1	TL550-100-067	Pivot/Linkage

20hp Throttle Linkage

ITEM	QTY	PART NUMBER	DESCRIPTION
1	1	25715	20hp Rod
2	1	43821	Throttle Bracket
3	1	43827	20hp Throttle Base
4	1	43833	20hp Rod Weldment
5	1	FW 1/2	Flatwasher - 1/2" Zinc Plated USS
6	2	FW 1/4	Flatwasher - 1/4" Zinc Plated USS
7	2	FW 3/8	Flatwasher - 3/8" Zinc Plated USS
8	2	HB 1/4-20X1.25 Z5	Hex Bolt 1/4-20x1 1/4 Grade 5 Zinc Plated Hex Cap Screw
9	2	HB 3/8-16X1.25 Z5	Hex Bolt 3/8-16x1 1/4 Grade 5 Zinc Plated Hex Cap Screw
10	1	HB 3/8-16X2.5 Z5	Hex Bolt 3/8-16x2 1/2 Grade 5 Zinc Plated Hex Cap Screw
11	2	HB 5/16-18X0.75 Z5	Hex Bolt 5/16-18x3/4 Grade 5 Zinc Plated Hex Cap Screw
12	1	HN 1/2	Hex Nut 1/2"-13 Grade 5 Zinc Plated Finished
13	1	HN 3/8	Hex Nut 3/8"-16 Grade 5 Zinc Plated Finished
14	2	LN 1/4 N	LN 1/4-20 Zinc Plated Nylon Insert Lock Nut
15	2	LN 3/8 N	LN 3/8-16 Zinc Plated Nylon Insert Lock Nut
16	1	TL5X2-100-232	Striker Block
17	1	TL550-100-065	Ball Joint
18	3	TL550-100-067	Pivot/Linkage
19	2	TL550-100-069	Throttle Spring

Section 3: Hydraulics

Hydraulic Layout - Front Circuits



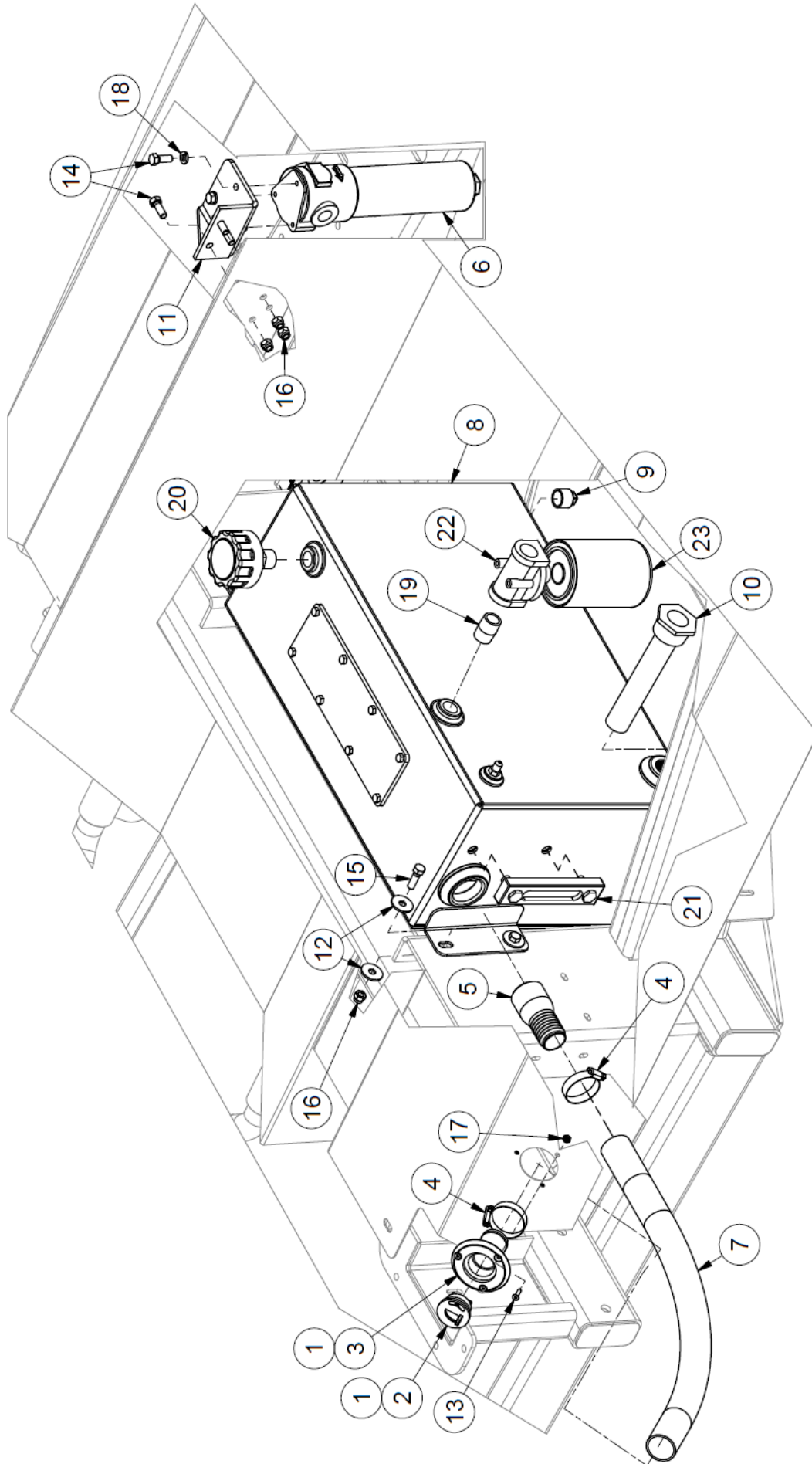
Hydraulic Layout - Front Circuits

ITEM	QTY	PART NUMBER	DESCRIPTION
1	1	30298	ECV Bale Wrapper Main Manifold Block
2	1	31775	HH78-6AT1(6FJX90S,6FJX) HCL 78"
3	1	31776	HH61.5-10AT1(10FJX90S,10FJX) HCL61.5"
4	1	31779	HH40-12G4H(12MP,12FJX) HCL40"
5	1	32501	HH95-6AT1(6FJX90L,6FJX) HCL 95"
6	1	36031	Hose - HH 8AT1 (8FJX,10FJX) HCL 53"
7	1	36032	Hose - HH 4AT1 (4FJXH-6MBX90) HCL 33"
8	2	40253	Ram Cylinder
9	1	41832	Hose - HH56"- 6ATI(6FJX-8FJX)56" HCL
10	1	41878	High Pressure Filter
11	1	42760	Hose - HH16 - 10AT1(10FJX,10FJX) HCL 16"
12	1	43100	Hose - HH48-10AT1(10MBX90,10FJX) HCL48.0"
13	1	43101	Hose - HH36- 12G4H(12MP,12MBX90) 36HCL
14	1	43102	Hose - HH61.5-8AT1(10FJX90L,8FJX) HCL61.5"
15	1	43103	Hose - HH28 - 8AT1(10FJXH,8FJXH) HCL 28"
16	1	43105	Hose - HH30"- 6ATI(8FJX-6FJX)30" HCL
17	1	44345	ECV, Wrapper, Hydraulic Oil Tank
18	1	HF 2404-4	Hydraulic Fitting - Male JIC - Male Pipe
19	1	HF 2603-8-8-8	Hydraulic Fitting
20	1	HF 2603-10-10-10	Hyd Fitting MJIC to MJIC to MJIC
21	4	HF 6400-6-8	Hydraulic Fitting - Male JIC - Male ORB
22	2	HF 6400-8-8	Hydraulic Fitting - O-Ring to JIC Adapter
23	2	HF 6400-10-10	Hydraulic Fitting - Male JIC - Male ORB
24	1	HF 6400-10-12	Hydraulic Adapter - JIC to O-Ring
25	2	HF 6801-6-6	Hydraulic Fitting - 90 Degree O-Ring to JIC
26	1	HF 6801-10-10	Forged Fitting - 5/8" JIC x 5/8" SAE 90 Deg. Elbow
27	1	HF 6801-10-12	Hyd Fitting - 5/8" JIC x 5/8" SAE 90 Deg. Elbow
28	1	HF 6801-12-12	Forged Fitting - 3/4" JIC X 3/4" SAE 90 Degree Elbow
29	1	PI 3/4 CLOSE NIPPLE	Close Nipple SCH 80 3/4
30	1	SK AGU201125-10	Seal Kit
31	2	SK25	Seal Kit for Ram Cylinder
32	1	SK1031DBSK	Seal Kit for Main ECV Manifold
33	1	TL500-100-103	Hydraulic Cylinder, 2 x 16
34	1	VAL HEK44	HEK44-20-135-AS-SP010-B Filter Element
35	1	VAL HF620	HF620.20-B17-NE-XA-NA-XB-NA Filter Base
36	1	VAL HL91	HL91-20-T1-T-B Level Gauge

Hydraulic Layout - Rear Circuits

ITEM	QTY	PART NUMBER	DESCRIPTION	NOTE
1	2	31778	HH69-8AT1(8FJX90S,8FJX) HCL 69"	
2	1	32649	ECV Spindown Check Valve Assembly (in Body with Adaptors)	Items 3 - 6
3	1	43576	CV10-20 Spindown Check Valve Cartridge	
4	1	HF 2601-8-8-8	JIC to Pipe Branch Tee	
5	2	HF 6400-8-8	Hydraulic Fitting - O-Ring to JIC Adapter	
6	1	SK43577	CV10-20 Spindown Check Valve Seal Kit	
7	1	32650	HH5 - 8AT1(10MBX90,8FJX) HCL 5"	
8	1	32665	ECV Hoop Speed Sensor	
9	1	36033	HH10-8AT1(10MBX90,8FJX) HCL 10"	
10	1	41839	Hose - HH62"- 4ATI(4FJX-4FJX)62" HCL	
11	1	41840	Hose - HH52"- 4ATI(4FJX-4FJX)52" HCL	
12	1	41841	Hose - HH24"- 4ATI(4FJX-4FJX)24" HCL	
13	1	41842	Hose - HH14"- 4ATI(4FJX-4FJX)14" HCL	
14	2	43104	Hose - HH184"- 4ATI(4FJX-6FJX90S)184" HCL	
15	2	HF 2603-4	Hydraulic Fitting - Male JIC Tee	
16	2	HF 6400-6-6	Hydraulic Fitting - Male JIC - Male ORB	
17	2	HF 6400-8-8	Hydraulic Fitting - O-Ring to JIC Adapter	
18	4	HF 6801-4-6	Hydraulic Fitting - Male JIC - Male ORB 90 Degree	
19	2	TL500-100-082	Hydraulic Cylinder	
20	2	SK AGU251125-10	Seal Kit for 25 Series Cylinder	
21	1	VAL MLHPQ200C7URS-NE	Hyd. Motor (Hoop Motor) Rear Ported with Sensor	
22	1	SKMLHPQUDE	Seal Kit 400 Motor	

Hydraulic Oil Tank



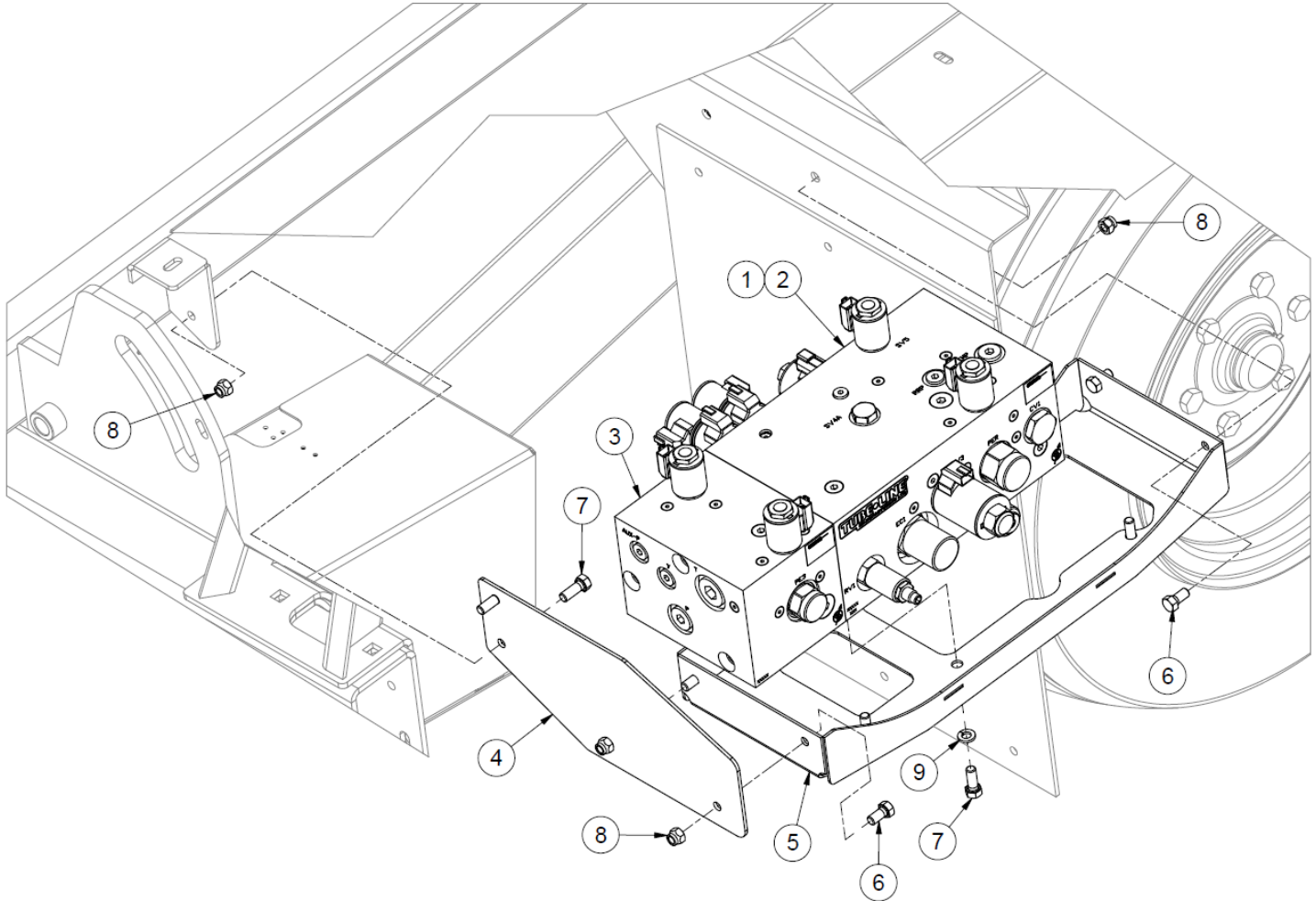
Hydraulic Oil Tank

ITEM	QTY	PART NUMBER	DESCRIPTION	NOTE
1	1	30870	Hydraulic Oil Fill	Inc. Items 2 & 3
2	1	30868	Hydraulic Oil Fill Cap	
3	1	30869	Hydraulic Oil Fill Body	
4	2	30884	2" Gear Clamp	
5	1	30894	Oil Fill Barbed Fitting	
6	1	41878	High Pressure Filter	
7	1	44111	Oil Fill Tube	
8	1	44345	Hydraulic Oil Tank	
9	1	TL500-100-174	Plug, Magnetic 3/4"	
10	1	TL500-100-175	Suction Strainer	
11	1	44358	High Pressure Filter Bracket	
12	8	FW 3/8	Flatwasher - 3/8" Zinc Plated USS	
13	3	HB #10-32X0.75 FHSCS	Hex Bolt - 3/16"-32 x 3/4" Flat Socket Cap Screw	
14	6	HB 3/8-16X1 Z5	Hex Bolt 3/8-16x1 Grade 5 Zinc Plated Hex Cap Screw	
15	4	HB 3/8-16X1.25 Z5	Hex Bolt 3/8-16x1 1/4 Grade 5 Zinc Plated Hex Cap Screw	
16	7	LN 3/8 N	LN 3/8-16 Zinc Plated Nylon Insert Lock Nut	
17	3	LN 10-24	K-Lok Locknut	
18	3	LW 3/8	LW - 3/8" Zinc Plated Medium Split	
19	1	PI 3/4 CLOSE NIPPLE	Close Nipple Sch 80 3/4	
20	1	TL500-100-169	Breather Cap	
21	1	TL500-100-171	Sight Gauge	
22	1	TL500-100-172	Filter Base	
23	1	TL500-100-173	10 Micron Filter	

Oil in Unit: AW32 SAE10 Hydraulic Oil

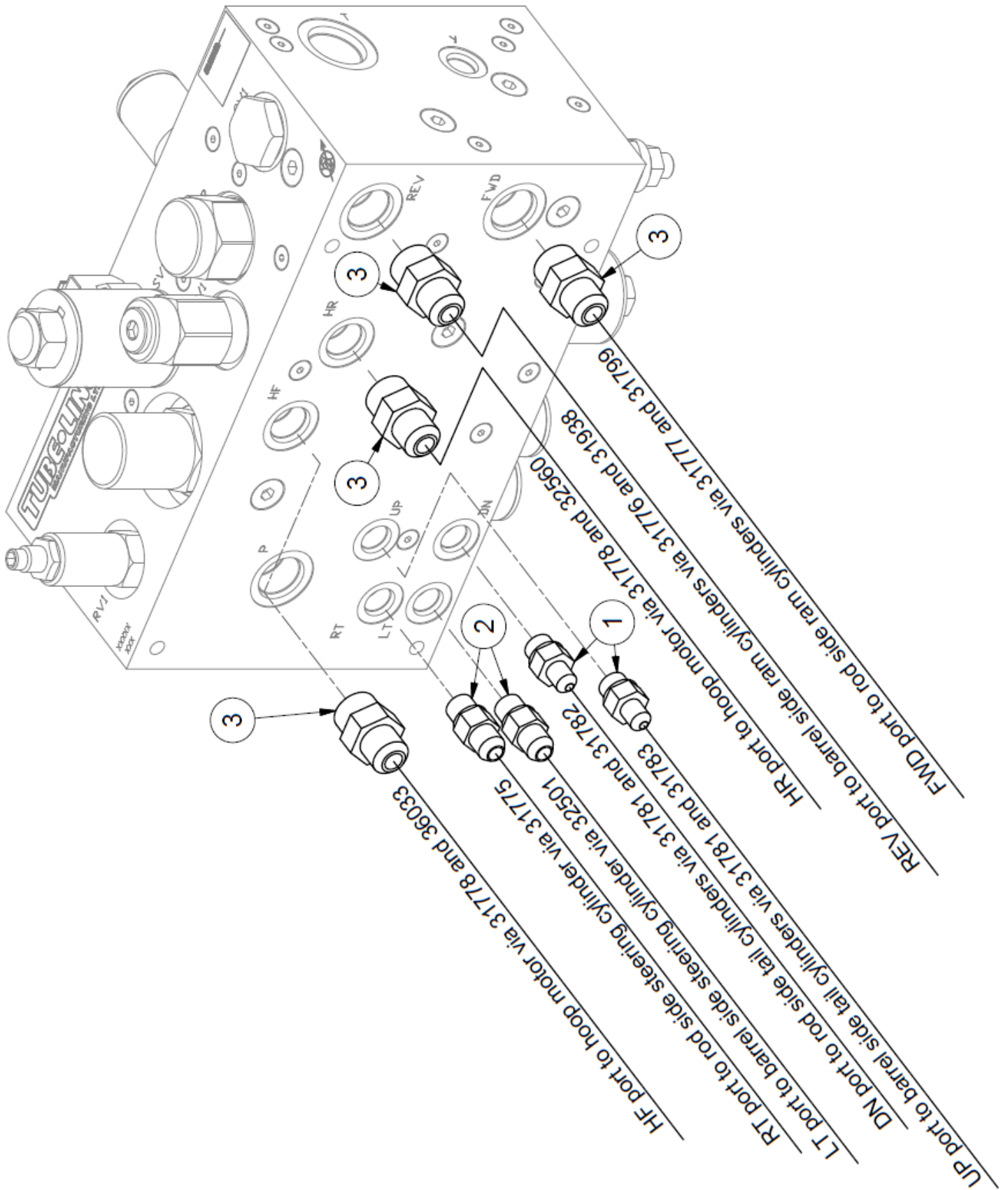
FILTER CROSS REFERENCE	
FILTER	REFERENCE
Stauf	SF6520
Gresen	F22001
Fram	P1653-A
Fleetguard	HF6510
Cross	1A9021

Hydraulic Manifold Mount

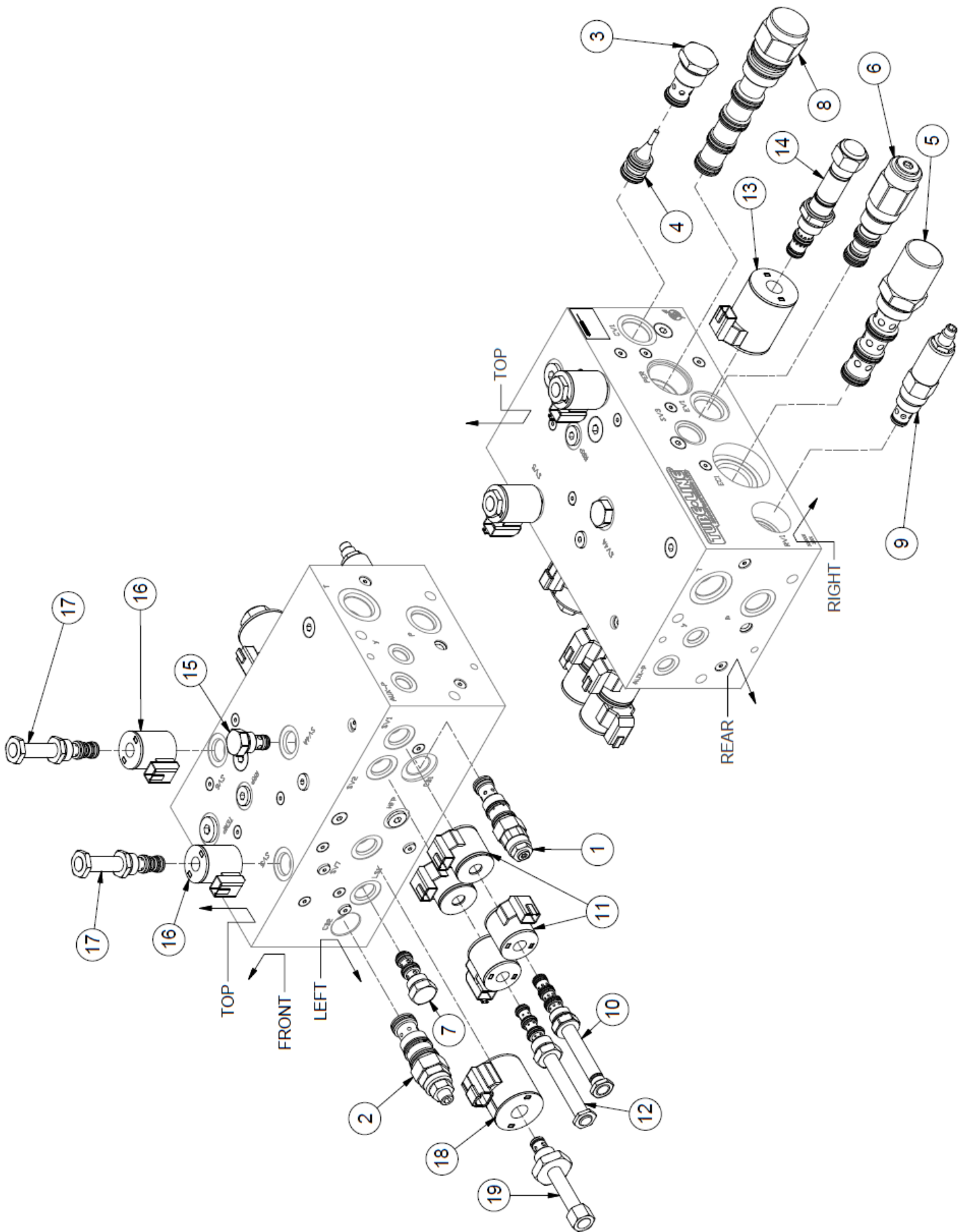


ITEM	QTY	PART NUMBER	DESCRIPTION	NOTE
1	1	SK1031DBSK	Seal Kit for Main ECV Manifold	
2	1	30298	ECV Bale Wrapper Main Manifold Block	
3	1	30299	ECV Bale Wrapper Powerdrive Manifold Block	Req. Powerdrive Option
4	1	41144	ECV Manifold Mount Plate	
5	1	41146	ECV Valve Mount	
6	4	HB 3/8-16X0.75 Z5	Hex Bolt 3/8-16x3/4 Grade 5 Zinc Plated Hex Cap Screw	
7	8	HB 3/8-16X1 Z5	Hex Bolt 3/8-16x1 Grade 5 Zinc Plated Hex Cap Screw	
8	6	LN 3/8 N	LN 3/8-16 Zinc Plated Nylon Insert Lock Nut	
9	6	LW 3/8	LW - 3/8" Zinc Plated Medium Split	

Hydraulic Manifold Connections



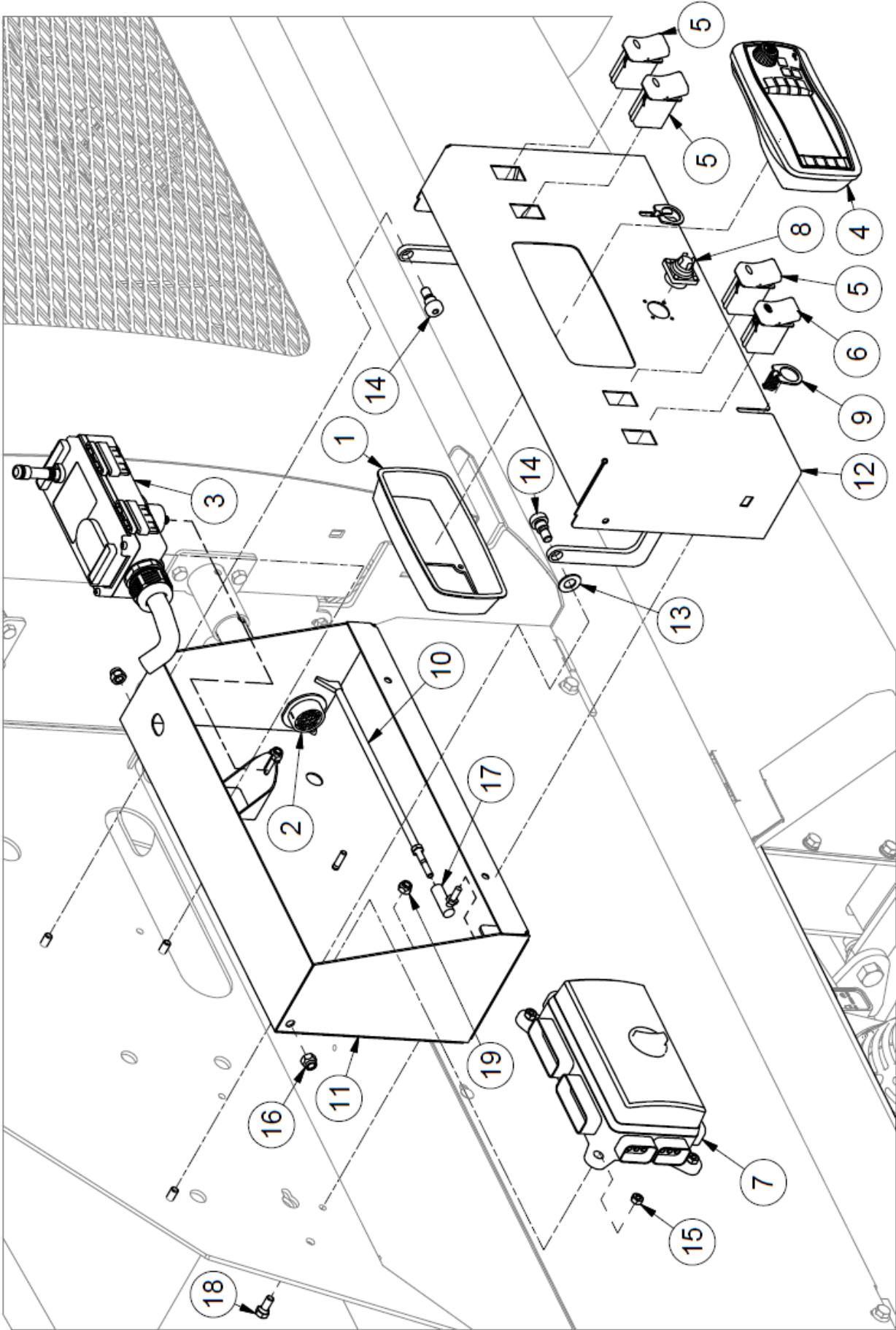
Hydraulic Manifold Valves



Hydraulic Manifold Valves

ITEM	QTY	PORT	PART NUMBER	DESCRIPTION	FUNCTION	FPS NUMBER
1	1	CB1	40981	Counter Balance Valve	Bed	3125011
2	1	CB2	43664	Counter Balance Valve	Ram FWD	3125031.05
3	1	CV1	43667	Check Valve	Ram REV	2115001.25
4	1	CV1	43668	Pilot Piston	Ram REV Pilot	2190044
5	1	EC1	43626	Cartridge Logic Valve		2115287.15
6	1	EV1	43625	Cartridge Logic Valve		2115048.16
7	1	LS1	43627	Shuttle Valve		2115042
8	1	PER	43665	Directional Valve	Ram FWD/REV	2115168.K
9	1	RV1	43663	Relief Valve	Main Relief	2125000.3
10	1	SV1	43669	Solenoid Valve	Steering	2110073.C
11	4	SV1, SV2	43629	12V DC Solenoid Valve Coil		2135075
12	1	SV2	32664	Solenoid Valve	Bed	2110015.E
13	1	SV3	43660	12V DC Solenoid Valve Coil	Hoop	2135144
14	1	SV3	43661	Pilot Flow Control Solenoid Valve	Hoop	2120130.A
15	1	SV4A	43662	Flow Control Valve	Hoop Anti-Creep	2120195
16	2	SV5,SV6	43628	12V DC Solenoid Valve Coil		2135048
17	2	SV5,SV6	43666	Pilot Reducing Solenoid Valve	Ram FWD/REV	2125107
18	1	SV7	43670	12V DC Solenoid Valve Coil	System Pressure	2135049
19	1	SV7	38784	Pilot Relief Solenoid Valve	System Pressure	2125025.B

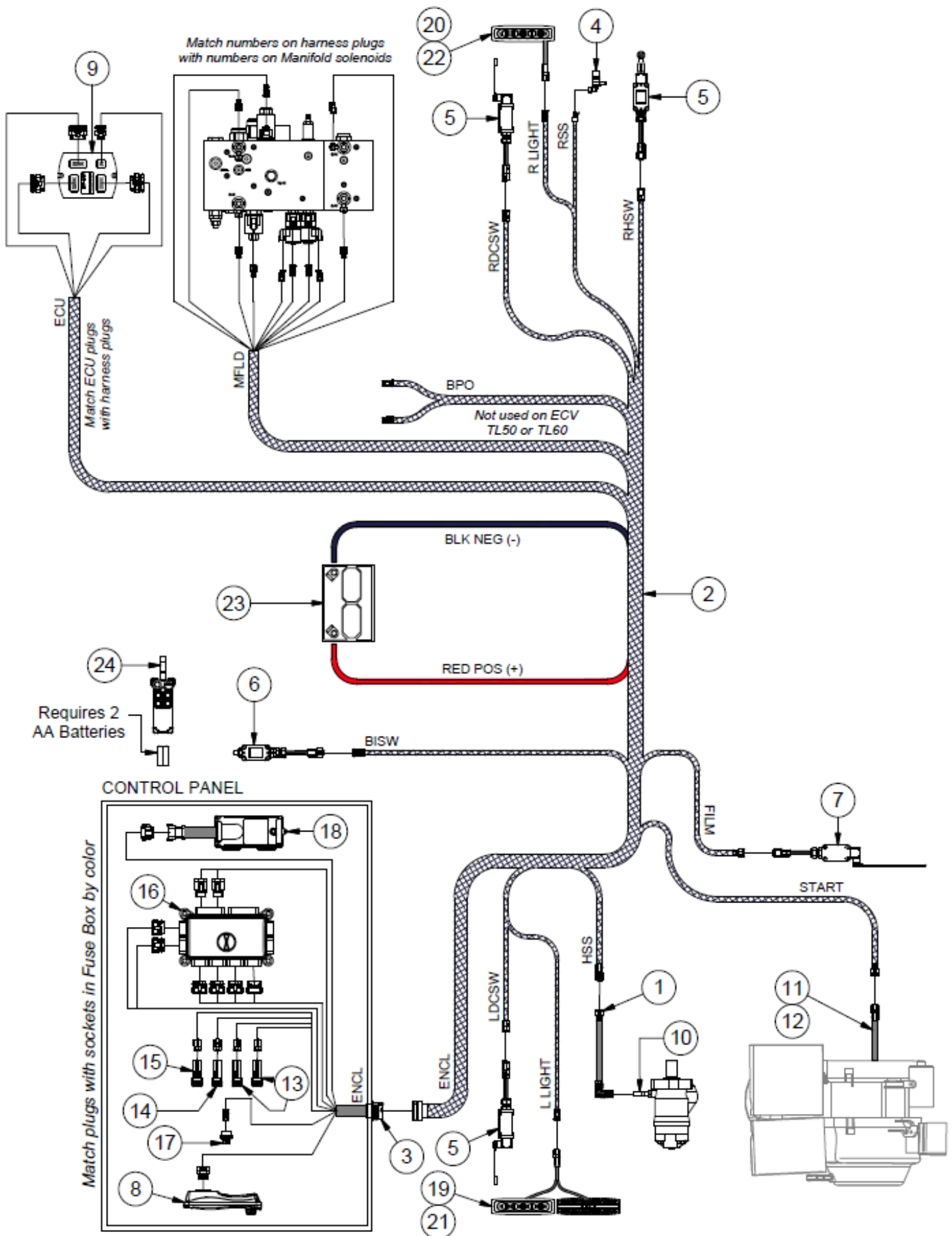
Section 4: Electrical Control Panel



Control Panel

ITEM	QTY	PART NUMBER	DESCRIPTION
1	1	32630	Display Mount
2	1	32642	Control Panel Harness
3	1	32648	Remote Antenna
4	1	32652	Display Screen
5	3	33322	Function Switch
6	1	33323	E-Stop Switch
7	1	33324	Fuse Box
8	1	33325	Steering Joystick
9	2	36268	Camlock
10	1	43415	Lid Holder
11	1	43417	Control Panel Box
12	1	43489	Control Panel Lid
13	1	FW 1/2	Flatwasher - 1/2" Zinc Plated USS
14	2	HB 1/2X3/8 SS	Socket Head Shoulder Screws - 1/2 Shldr x 3/8 x 3/8-16
15	4	HN 1/4	Hex Nut 1/4"-20 Grade 5 Zinc Plated Finished
16	2	LN 3/8 N	LN 3/8-16 Zinc Plated Nylon Insert Lock Nut
17	1	TL550-100-065	Ball Joint
18	4	HB 5/16-18X0.75 Z5	Hex Bolt 5/16-18x3/4 Grade 5 Zinc Plated Hex Cap Screw
19	4	LN 5/16 N	LN 5/16-18 Zinc Plated Nylon Insert Lock Nut

Main Electrical Harness



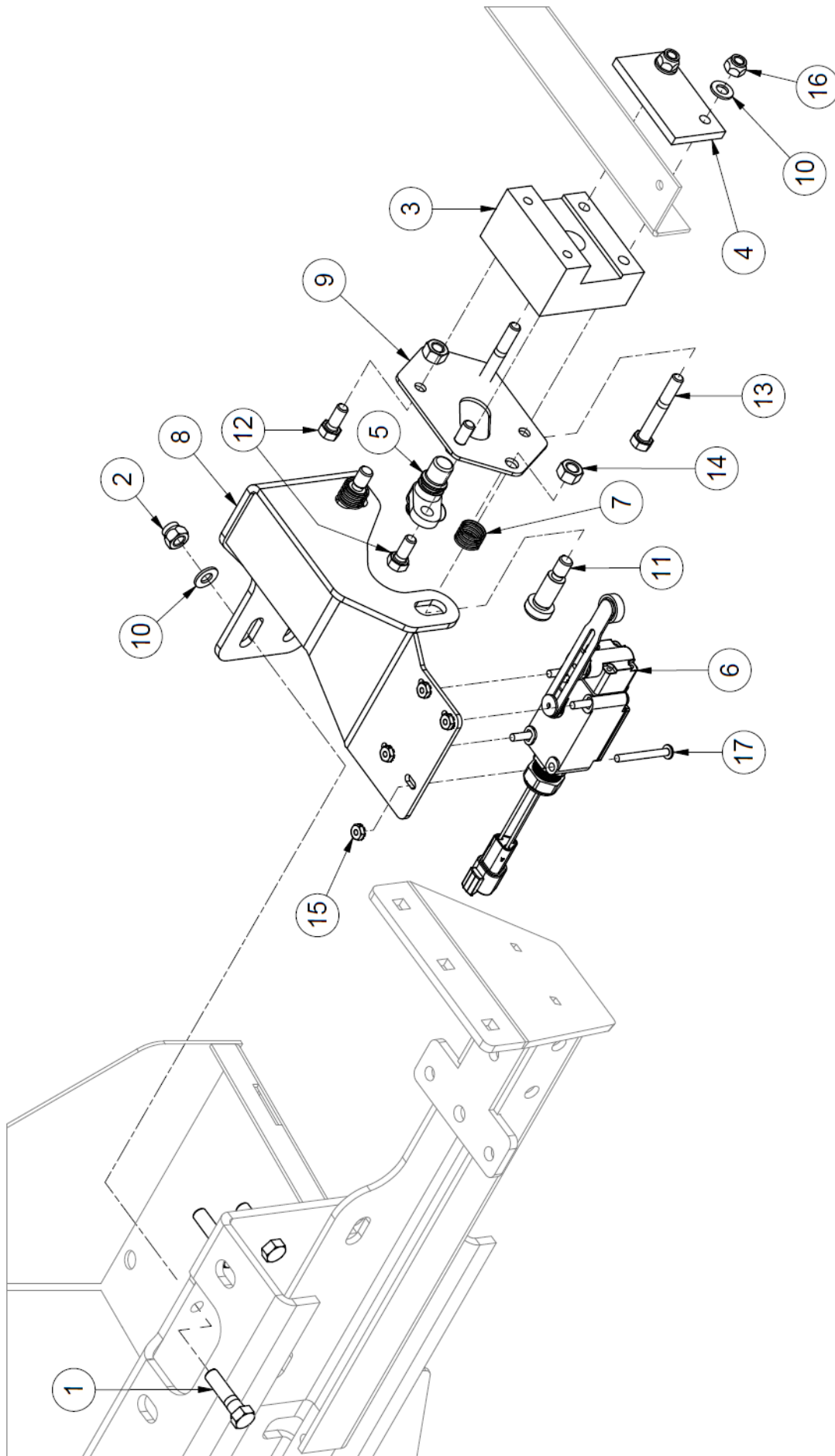
Main Electrical Harness

ITEM	QTY	PART NUMBER	DESCRIPTION
1	1	32607	ECV Wrapper and Liner, M12 to Duetch Jumper
2	1	32625	ECV Wrapper, Main Wiring Harness
3	1	32626	ECV Wrapper, Panel Harness
4	1	32632	ECV Wrapper and Liner, Speed Sensor
5	3	32633	ECV Wrapper, Left and Right Door Switch, Ram Home Switch
6	1	32634	ECV Wrapper, Bale Trigger Switch
7	1	32635	ECV Wrapper, Film Sensor Switch
8	1	32647	ECV Controller - 2415 Programmed for ECV Wrapper
9	1	32652	ECV, ECU Programmed for Balewrapper (Current Rev)
10	1	32665	ECV Hoop Speed Sensor
11	1	32666	Wiring Engine Harness for 13 HP Honda - ECV Wrapper
12	1	32667	Wiring Engine Harness for 20 HP Honda - ECV Wrapper
13	2	33322	Light Function Switch & Remote Engine By-pass
14	1	33322-L	Function Switch with Light ON-OFF
15	1	33323	Function Switch for E-Stop
16	1	33324	Fuse Box for ECV Wrapper Control Box
17	1	33325	Steering Joystick for ECV
18	1	36968	Remote Control Reciever & Antenna
19	1	43952	TLNWLKLED-ECV Triple Harness
20	1	43953	TLNWLKLED-ECV Single Harness
21	1	43619	TLNWLK-ECV Twin Harness
22	3	43620	TLNWLK-ECV Single Harness
23	1	TLBATSP35	SP-35 Interstate Battery
24	1	TLHHCX2HD	Hand Held Remote (Orange)

Battery

ITEM	QTY	PART NUMBER	DESCRIPTION
1	1	30873	Battery Post
2	1	38048	Rubber Latch
3	1	38343	T Strap Brace
4	1	44562	Battery Cover
5	1	44590	Battery Jumper Post Mount
6	2	HB 3/8-16X1.0 Z5	Hex Bolt 3/8-16 x 1" Grade 5 Zinc Plated Hex Cap Screw NC
7	1	HB 5/16-18X6.0 Z5	Hex Bolt - 5/16-18 x 6 Grade 5 Zinc Hex Cap Screw
8	1	HB 5/16-18X7.0 Z5	Hex Bolt - 5/16"-18 x 7" Grade 5 Zinc Plated Hex Cap Screw
9	5	HN 6	Hex Nut #6-32 Zinc
10	2	LN 5/16 N	Locknut - 5/16-18 Type NE Zinc Plated Nylon Insert
11	5	MS 6X1/2	Machine Screw #6-32x1/2
12	1	TL500-301-221	Battery Hold-Down
13	1	TLBATSP35	SP-35 Interstate Battery
14	1	TL5X2-500-159	Red Battery Cable
15	1	TL5X2-500-160	Black Battery Cable

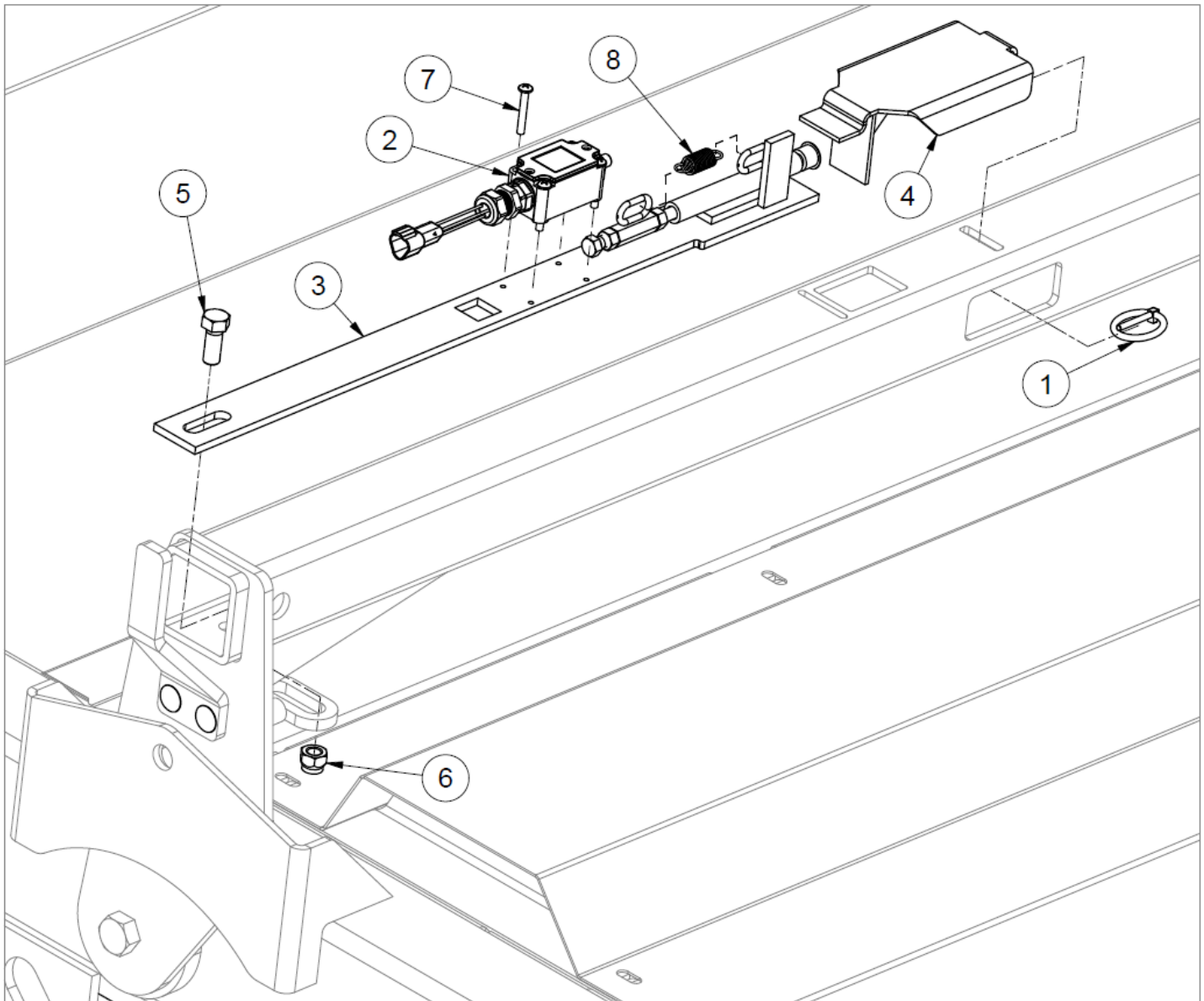
Speed Sensor



Speed Sensor

ITEM	QTY	PART NUMBER	DESCRIPTION
1	4	HB 3/8-16X1.5 Z5	Hex Bolt 3/8-16x1 1/2 Grade 5 Zinc Plated Hex Cap Screw
2	4	LN 3/8 N	LN 3/8-16 Zinc Plated Nylon Insert Lock Nut
3	1	31712	Sensor Guide Block
4	1	31713	Sensor Guide Strip
5	1	32632	Speed Sensor
6	1	32633	ECV Ram Switch
7	2	36034	Ram Speed Sensor Spring
8	1	44723	ECV Ram Position Sensor Mount
9	1	44725	Speed Sensor Spacer
10	6	FW 5/16	Flatwasher - 5/16" Zinc Plated USS
11	2	HB 1/2X1 SS	Socket Head Shoulder Screws - 1/2 Shldr x 1 x 3/8-16
12	3	HB 5/16-18X0.75 Z5	Hex Bolt 5/16-18x3/4 Grade 5 Zinc Plated Hex Cap Screw
13	2	HB 5/16-18X2.25 Z5	Hex Bolt 5/16-18x2 1/4 Grade 5 Zinc Plated Hex Cap Screw
14	2	HN 3/8	Hex Nut 3/8"-16 Grade 5 Zinc Plated Finished
15	4	LN 10-24	K-Lok Locknut
16	2	LN 5/16 N	LN 5/16-18 Zinc Plated Nylon Insert Lock Nut
17	4	MS #10X24X1.75	Machine Screw - (Inch)

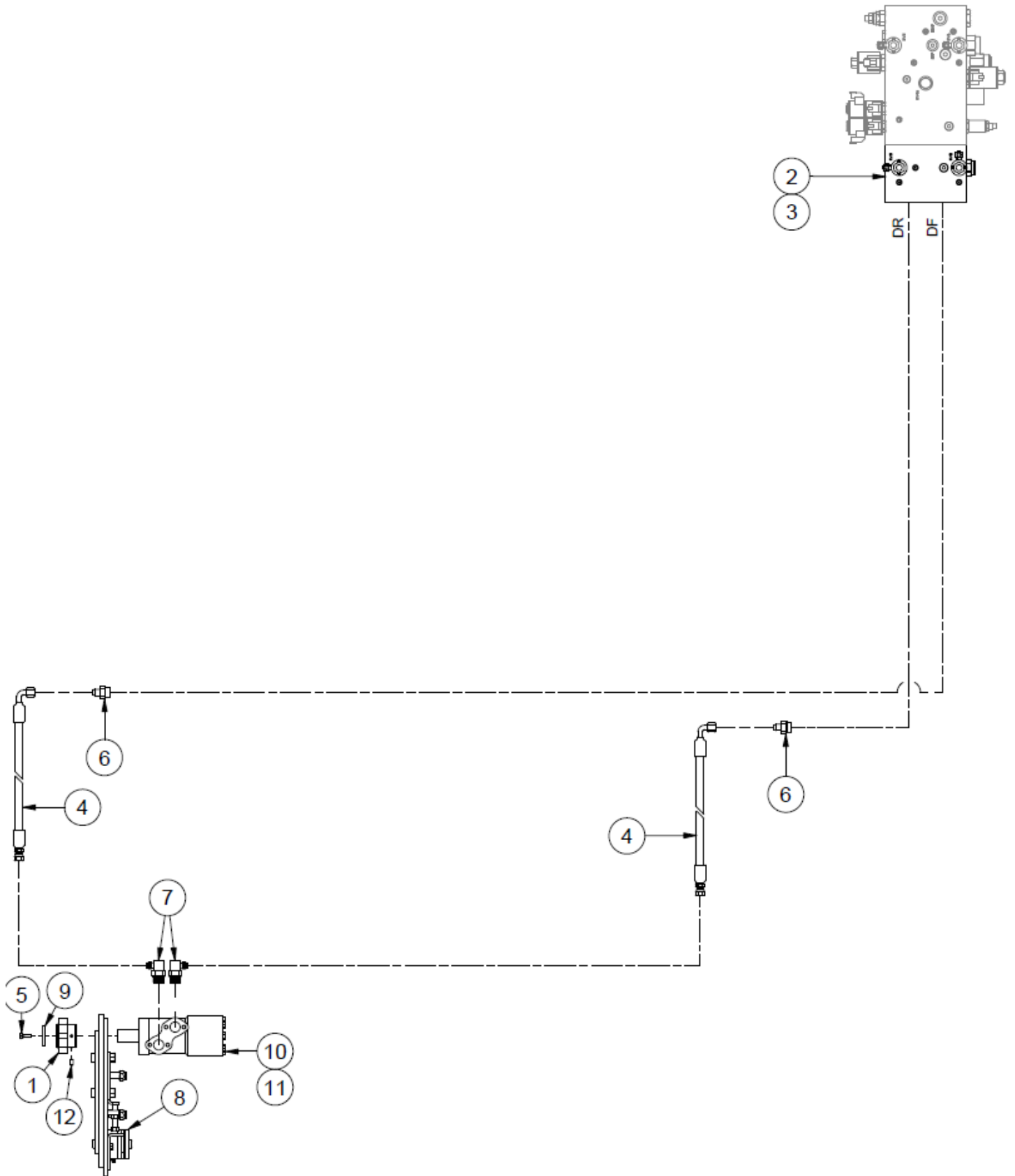
Table Trigger



ITEM	QTY	PART NUMBER	DESCRIPTION
1	1	25680	Lynch Pin 3/16 X 1.5
2	1	32634	ECV Wrapper, Bale Trigger Switch
3	1	44576	Trigger Switch
4	1	44582	Bale Trigger
5	1	HB 1/2-13X1.25 Z5	Hex Bolt 1/2-13x1 1/4 Grade 5 Zinc Plated Hex Cap Screw
6	1	LN 1/2 N	LN 1/2-13 Zinc Plated Nylon Insert Lock Nut
7	4	MS #12X24X1.5	Machine Screw - (Inch)
8	1	TL500-100-062	Extension Spring (Trigger)

Section 5: Options

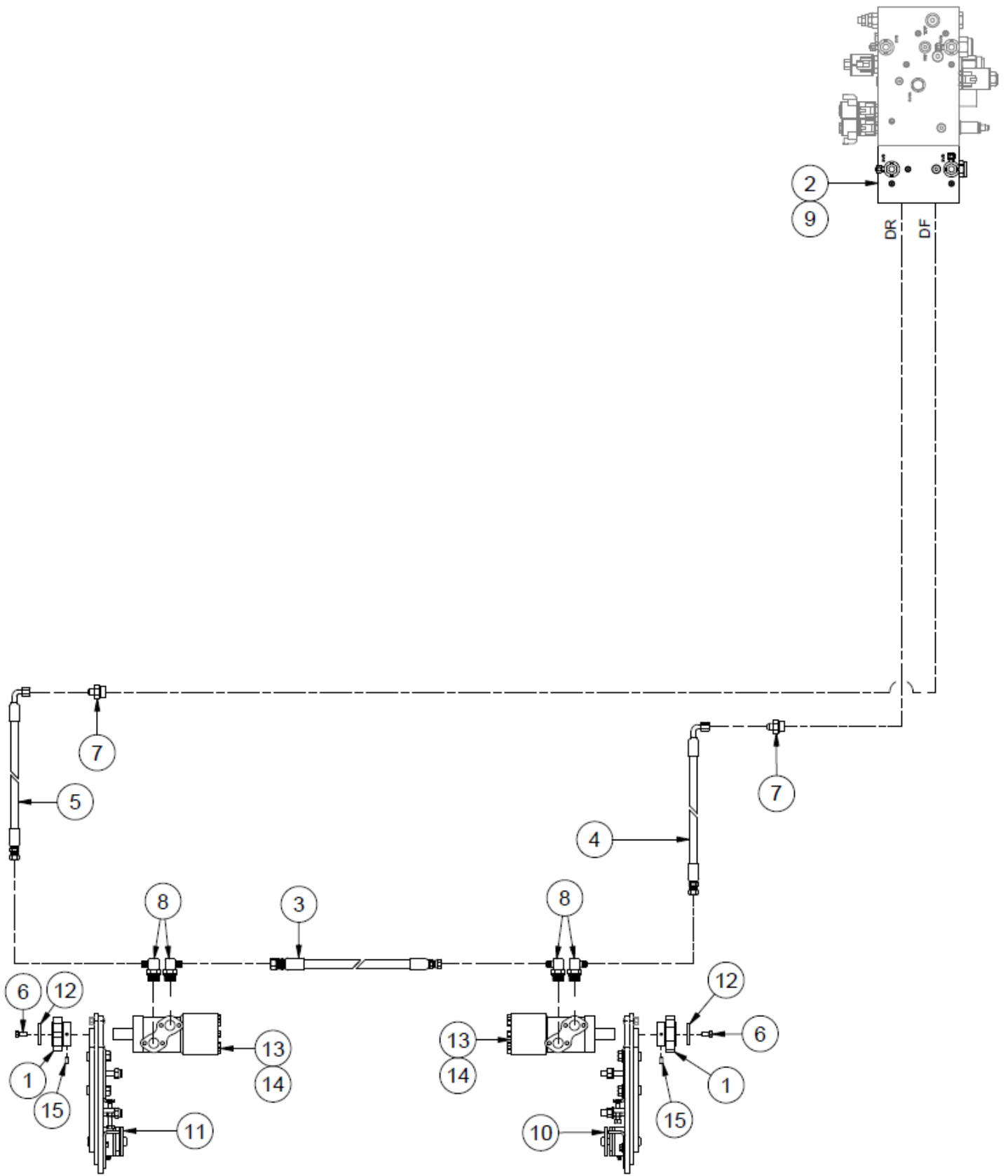
TLHPD60ECV - Single Power Drive



TLHPD60ECV - Single Power Drive

ITEM	QTY	PART NUMBER	DESCRIPTION	NOTE
1	1	28772	Power Drive Sprocket	
2	1	30299	ECV Bale Wrapper Powerdrive Block	
3	1	SK1032AASK	ECV Powerdrive Manifold Seal Kit	
4	2	45355	Hose - HH194 - 6AT1(6FJX,6FJX90L)HCL 194"	
5	1	HB 1/4-20X0.75 Z5	Hex Bolt 1/4-20x3/4 Grade 5 Zinc Plated Hex Cap Screw	
6	2	HF 6400-6-10	Hyd Fitting -Male JIC - Male ORB	
7	2	HF 6801-6-10	Hyd. Fitting -Male JIC - Male ORB 90 Degree Elbow	
8	1	TL109-100-360	Power Drive Assembly	Refer to Pg.1-34
9	1	TL500-100-060	Wheel Hub Washer	
10	1	VAL 1008	Motor, Hydraulic - EAT101-1008-009	
11	1	SKMLHPQUDE	Seal Kit 400 Motor	
12	2	SS 14X12	Allan Head Set Screw, 1/4-20 x 1/2	

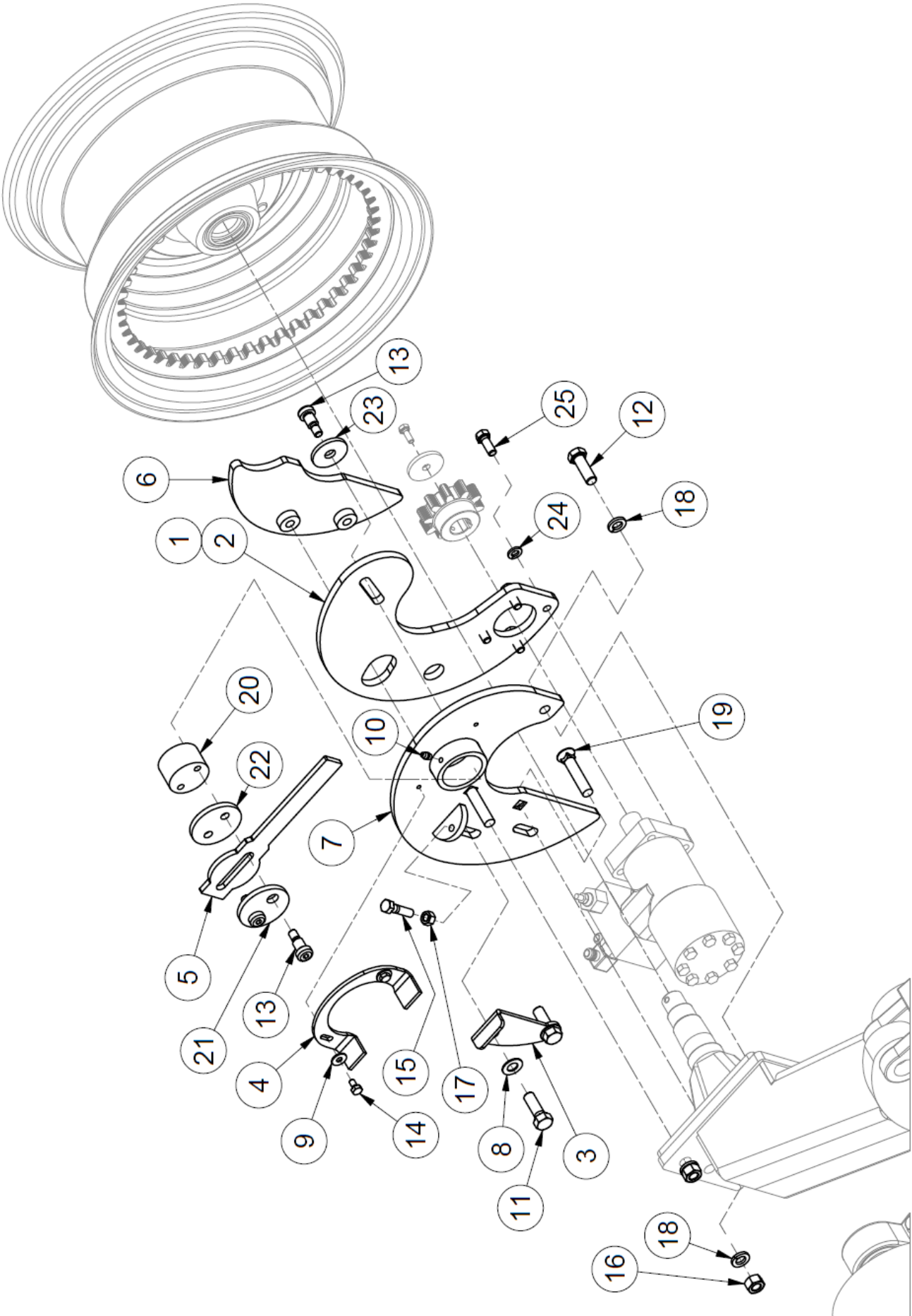
TLHPDD60ECV - Dual Power Drive



TLHPDD60ECV - Dual Power Drive

ITEM	QTY	PART NUMBER	DESCRIPTION	NOTE
1	2	28772	Powerdrive Sprocket	
2	1	30299	ECV Bale Wrapper Powerdrive Block	
3	1	31784	HH93 - 6ATI(6FJX,6FJX) 93" E/E	
4	1	45354	Hose - HH232 - 6AT1(6FJX,6FJX90S)HCL 232"	
5	1	45355	Hose - HH194 - 6AT1(6FJX,6FJX90L)HCL 194"	
6	2	HB 1/4-20X0.75 Z5	Hex Bolt 1/4-20x3/4 Grade 5 Zinc Plated Hex Cap Screw	
7	2	HF 6400-6-10	Hyd Fitting -Male JIC - Male ORB	
8	4	HF 6801-6-10	Hyd. Fitting -Male JIC - Male ORB 90 Degree Elbow	
9	1	SK1032AASK	ECV Powerdrive Manifold Seal Kit	
10	1	TL109-100-355	Power Drive Assembly	Refer to Pg.5-6
11	1	TL109-100-360	Power Drive Assembly	Refer to Pg.1-34
12	2	TL500-100-060	Wheel Hub Washer	
13	2	VAL 1008	Motor, Hydraulic - EAT101-1008-009	
14	2	SKMLHPQUDE	Seal Kit 400 Motor	
15	4	SS 14X12	Allan Head Set Screw, 1/4-20 x 1/2	

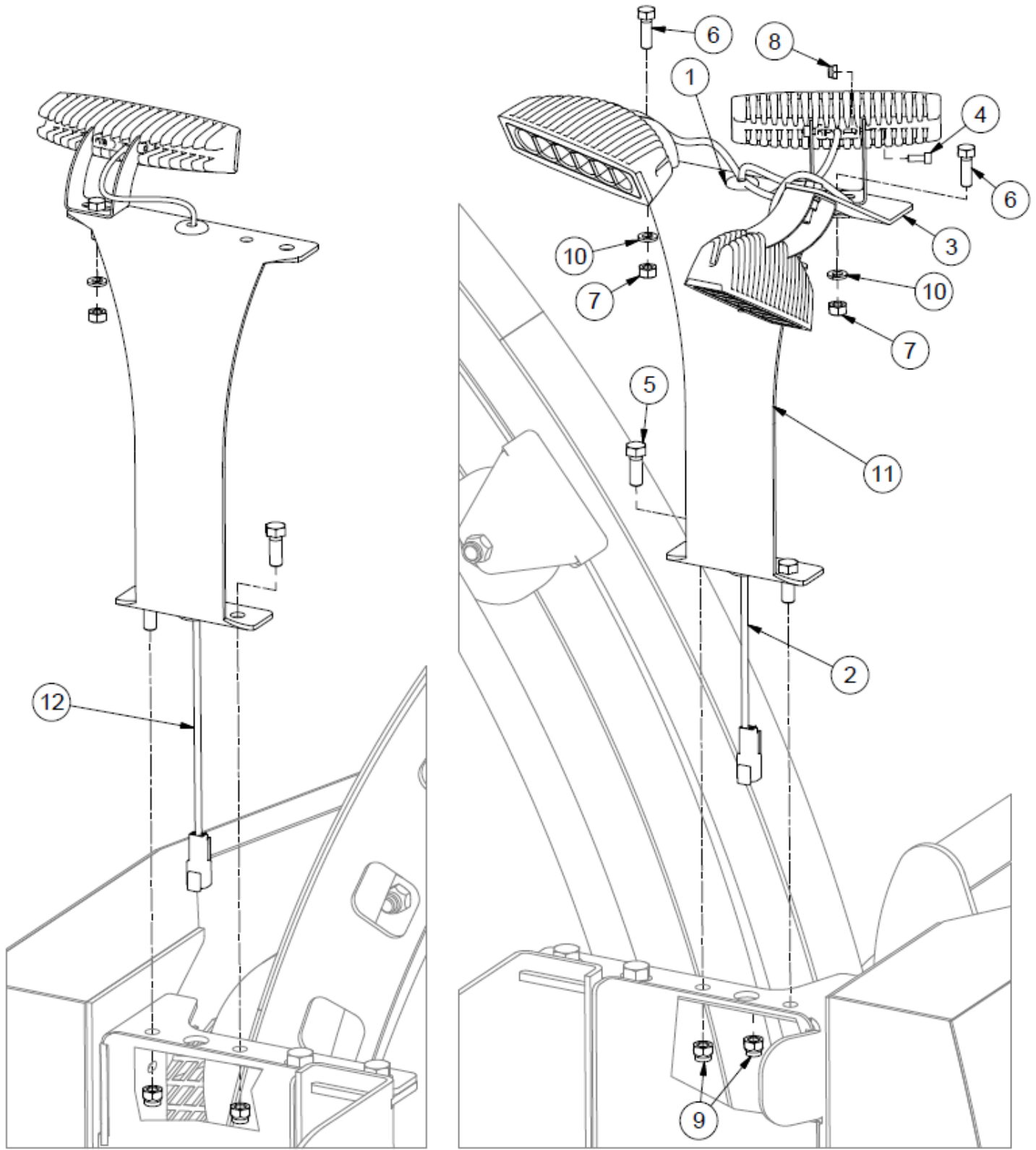
TL500-100-060 - Dual Power Drive Assembly



TL500-100-060 - Dual Power Drive Assembly

ITEM	QTY	PART NUMBER	DESCRIPTION
1	1	TL109-100-355	Power Drive Assembly
2	1	25116	Drive Engaging Plate
3	1	25119	Outside Plate Guide
4	1	25121	Handle Lock
5	1	25122	Handle
6	1	25123	Bolt On Plate
7	1	25124	Plate - Power Drive Weldment
8	2	FW 1/2	Flatwasher - 1/2" Zinc Plated USS
9	2	FW 1/4	Flatwasher - 1/4" Zinc Plated USS
10	1	GR 1/4 X 28	Grease Fitting 1/4-28 Straight-Standard Zerk
11	2	HB 1/2-13X1.5 Z5	Hex Bolt 1/2-13x1 1/2 Grade 5 Zinc Plated Hex Cap Screw
12	1	HB 1/2-20 X1.5 YZ8	Hex Bolt 1/2-20x1 1/2 Grade 8 Zinc Hex Cap Screw
13	3	HB 1/2X5/8 SS	Socket Head Shoulder Screws - 1/2 Shldr x 5/8 x 3/8-16
14	2	HB 1/4-20X0.5 Z5	Hex Bolt 1/4-20x1/2 Grade 5 Zinc Plated Hex Cap Screw
15	1	HB 3/8-16X1.5 Z5	Hex Bolt 3/8-16x1 1/2 Grade 5 Zinc Plated Hex Cap Screw
16	2	HN 1/2	Hex Nut 1/2"-13 Grade 5 Zinc Plated Finished
17	1	HN 3/8	Hex Nut 3/8"-16 Grade 5 Zinc Plated Finished
18	3	LW 1/2	LW - 1/2" Zinc Plated Medium Split
19	2	PB 1/2-13X2.5	Plow Bolts - 1/2-13 x 2 1/2 Flat Head Gr.5
20	1	TLWHEEL9	Power Drive Eccentric
21	1	WHEEL2012	Outside Handle Washer
22	1	WHEEL20121	Inside Handle Washer
23	1	WHEEL2013	Inside Cam Washer
24	4	LW 3/8	LW - 3/8" Zinc Plated Medium Split
25	4	HB 3/8-16X1 Z5	Hex Bolt 3/8-16x1 Grade 5 Zinc Plated Hex Cap Screw

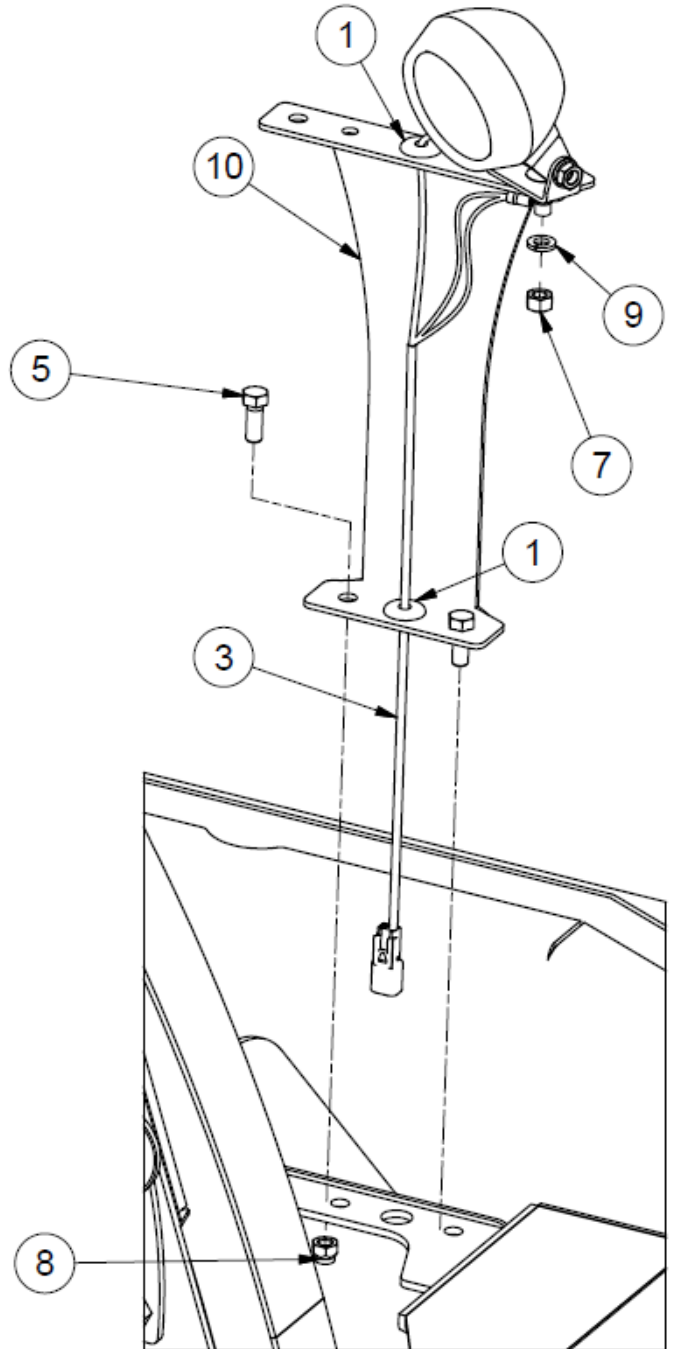
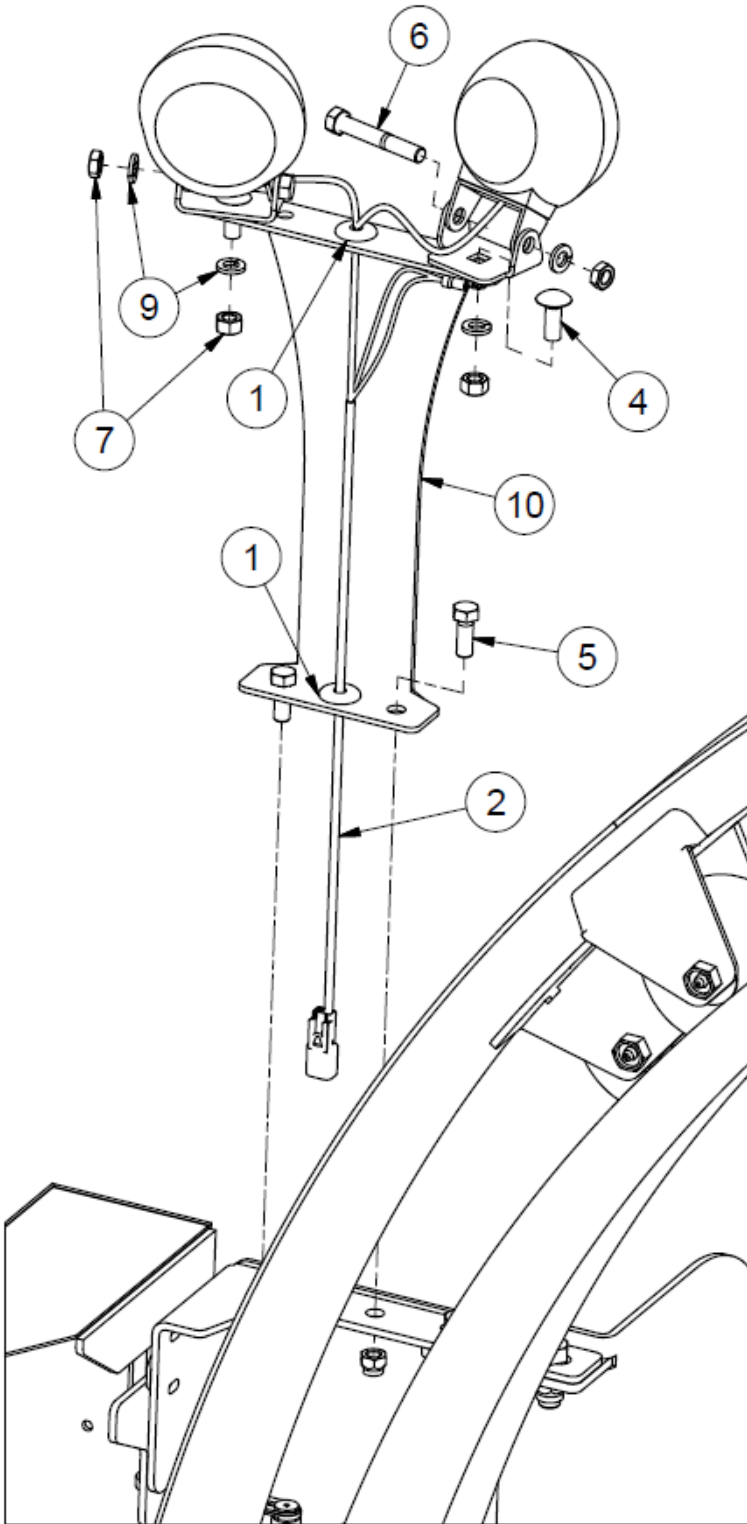
TLNWLKLED-ECV - LED Night Light Kit



TLNWLKLED-ECV - LED Night Light Kit

ITEM	QTY	PART NUMBER	DESCRIPTION
1	4	30862	Grommet for Night Lights
2	1	43952	TLNWLKLED-ECV Triple Wiring Harness
3	1	44864	Control Panel Light Bracket
4	8	HB #10-32X.5 SHCS	Hex Bolt - 3/16-32 x 1/2 Socket Head Cap Screw
5	4	HB 3/8-16X1 Z5	Hex Bolt 3/8-16x1 Grade 5 Zinc Plated Hex Cap Screw
6	4	HB 5/16-18X1 Z5	Hex Bolt 5/16-18x1 Grade 5 Zinc Plated Hex Cap Screw
7	4	HN 5/16	Hex Nut 5/16"-18 Grade 5 Zinc Plated Finished
8	8	LN #10 F	Center Locknuts (3/16-32) 2-Way Fine Thread
9	4	LN 3/8 N	LN 3/8-16 Zinc Plated Nylon Insert Lock Nut
10	4	LW 5/16	LW - 5/16" Zinc Plated Medium Split
11	2	TL5X2-100-201	Light Bracket
12	1	43953	TLNWLKLED-ECV Single Harness

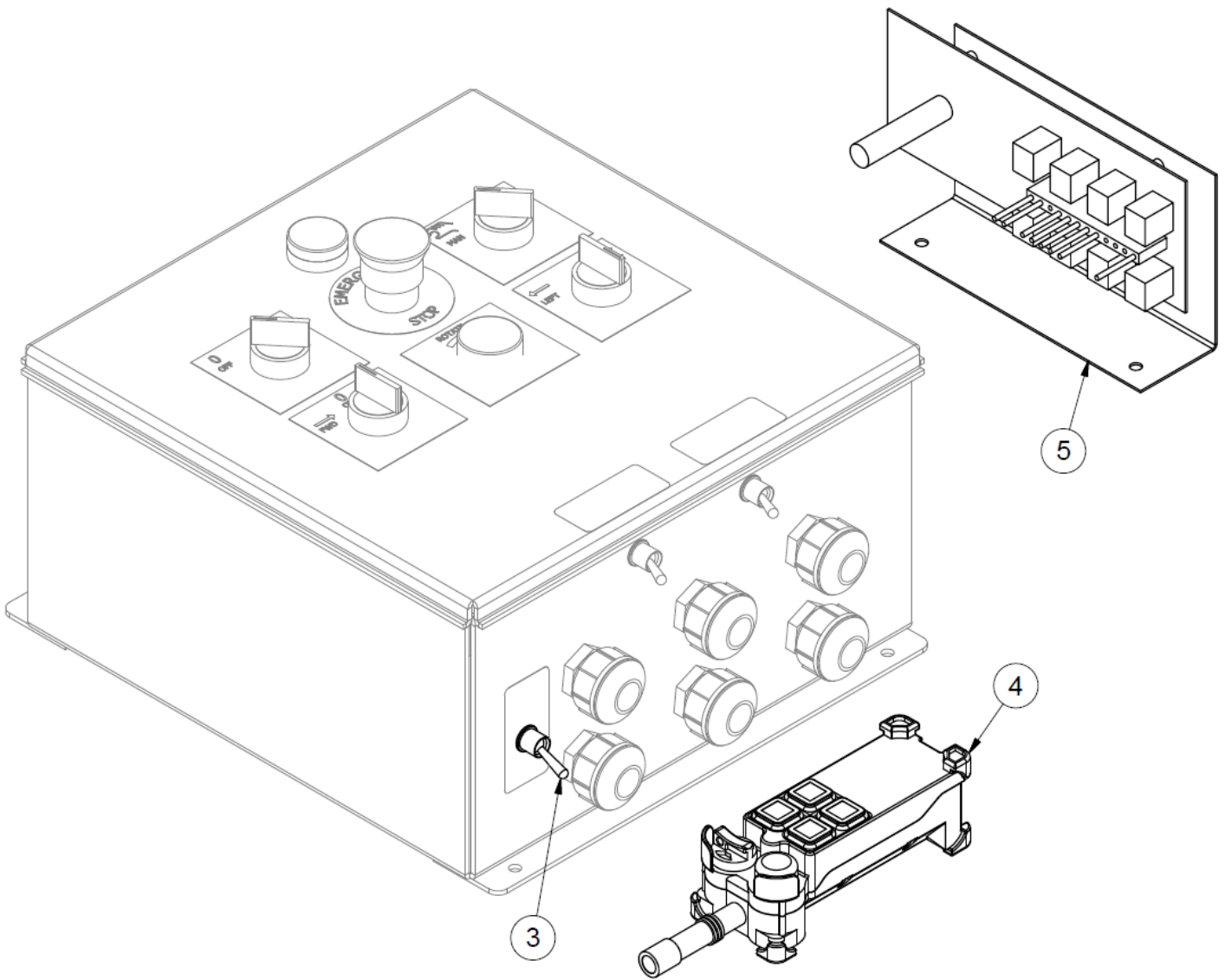
TLNWLK-ECV - Halogen Night Light Kit



TLNWLK-ECV - Halogen Night Light Kit

ITEM	QTY	PART NUMBER	DESCRIPTION	NOTE
1	4	30862	Grommet for Night Lights	
2	1	43619	TLNWLK-ECV Twin Harness	Inc. Lights
3	1	43620	TLNWLK-ECV Single Harness	Inc. Light
4	3	CB 3/8-16 X1 Z5	Carriage Bolt - 3/8-16 x 1" Grade 5 Zinc	
5	4	HB 3/8-16X1 Z5	Hex Bolt 3/8-16x1 Grade 5 Zinc Plated Hex Cap Screw	
6	3	HB 3/8-24X2.5 Z5	Hex Bolt 3/8-24x2 1/2 Grade 5 Zinc Plated Hex Cap Screw	
7	3	HN 3/8	Hex Nut 3/8"-16 Grade 5 Zinc Plated Finished	
8	4	LN 3/8 N	LN 3/8-16 Zinc Plated Nylon Insert Lock Nut	
9	6	LW 3/8	LW - 3/8" Zinc Plated Medium Split	
10	2	TL5X2-100-201	Light Bracket	

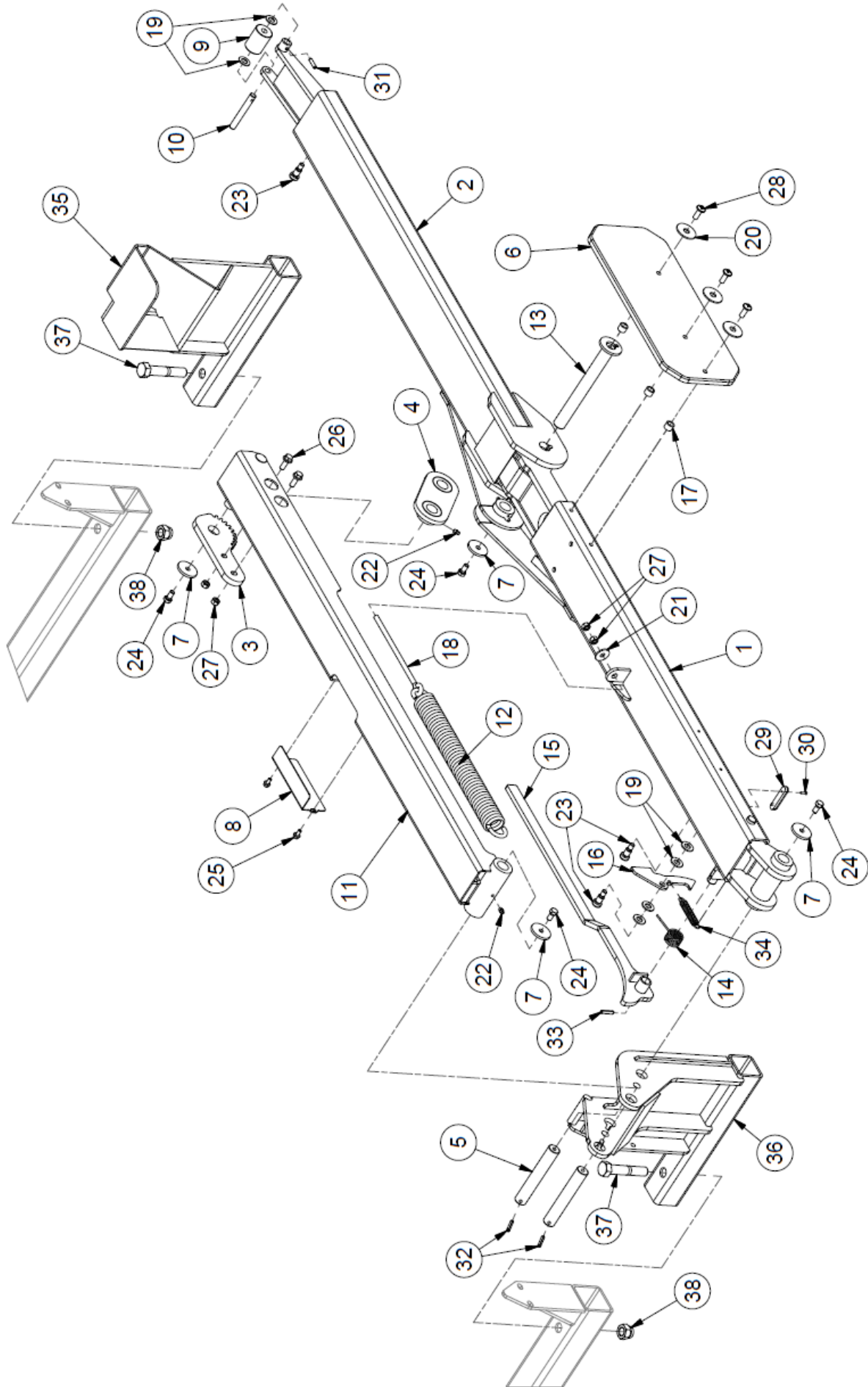
TLRSSKX2HD(E) - Remote Control Kits



TLRSKKX2HD(E) - Remote Control Kits

ITEM	QTY	PART NUMBER	DESCRIPTION	NOTE
1	1	TLRSSKX2HD	Remote Steering & Shutdown Kit X2 Series	Items 4-5
2	1	TLRSSKX2HDE	Remote Steering & Shutdown Kit X2 Series (Includes Engine Start)	Items 3-5
3	1	31727	Remote Start Stop Kit Wiring Harness for Balewrapper	
4	1	TLHHCX2HD	Hand Held Remote (Orange)	
5	1	TLR SSKX2HDL	Receiver Unit	

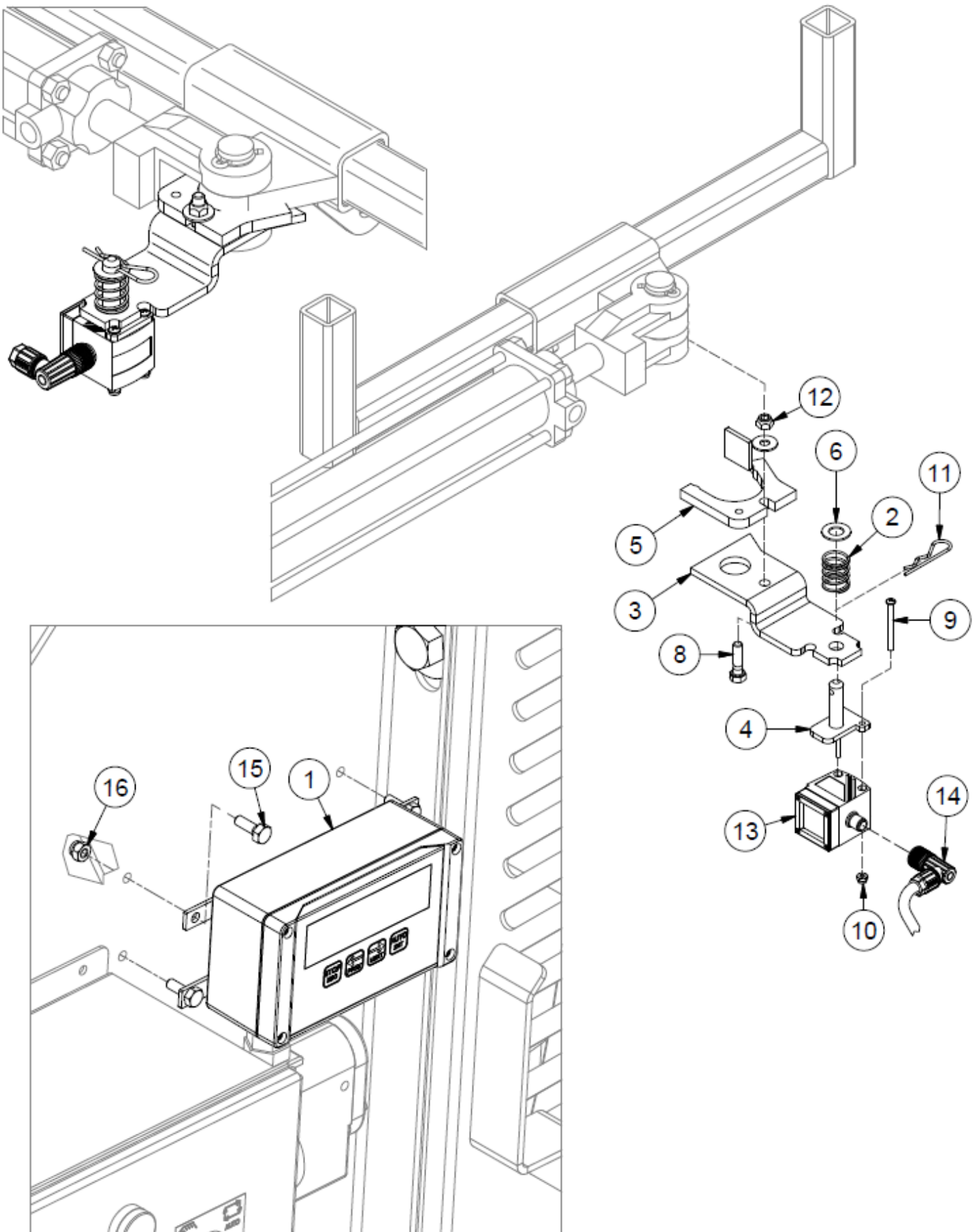
TLMPO-5000 - Bale Dispatch Arm



TLMPO-5000 - Bale Dispatch Arm

ITEM	QTY	PART NUMBER	DESCRIPTION
1	1	31186	Folding Pushoff Left Arm
2	1	31188	Folding Pushoff
3	1	31192	Top Pushoff Arm Sprocket
4	1	31300	Folding Pushoff Arm Link
5	2	31301	Pushoff Pin
6	1	31302	Rubber Pushoff Pad
7	4	31303	Pin Endcap
8	1	31367	Spring Tension Access Cover
9	1	31369	Last Pushoff Roller
10	1	31385	Pushoff Roller Pivot Pin
11	1	31388	Folding Pushoff Guide Arm
12	1	31395	Tension Spring
13	1	31535	Pushoff Center Pivot Pin
14	1	33230	Torsion Spring
15	1	33231	Folding Pushoff Handle
16	1	36690	HRP 0.188 in
17	3	36942	3/8" #40 Pipe
18	1	EB3/8-16X6.0	Eye Bolt - 3/8-16 x 6" Shank Zinc Plated Turned
19	9	FW 1/2	Flatwasher - 1/2" Zinc Plated USS
20	3	FWSAE 1/2	Flatwasher - 1/2" Zinc Plated USS (1096)
21	1	FW 3/8	Flatwasher - 3/8" Zinc Plated USS
22	7	GR 1/4 X 28	Grease Fitting 1/4-28 Straight Standard Zerk
23	3	HB 1/2X5/8 SS	Socket Head Shoulder Screws - 1/2 Shldr x 5/8 x 3/8-16
24	4	HB 3/8-16X0.75 Z5	Hex Bolt 3/8-16x3/4 Grade 5 Zinc Plated Hex Cap Screw
25	2	HBC1/4X0.5	Hex Bolt Cerrated 1/4-20 x 1/2 Zinc Flange Bolt
26	2	HBC3/8X1	Hex Bolt Cerrated 3/8-16 x 1 Zinc Flange Bolt
27	4	HN 3/8	Hex Nut 3/8"-16 Grade 5 Zinc Plated Finished
28	3	MS 3/8X16X1	Machine Screw - (Inch)
29	1	PP-00685	Rubber Stop
30	2	PP-00686	Wood Screw,#6 x5/8" Roberts end
31	1	RP 1/4 x 1	Pin - Roll Pin 1/4 x 1
32	2	RP 1/4 x 1 1/2	Pin - Roll Pin 1/4 x 1 1/2
33	1	RP 1/4 x 1 1/4	Pin - Roll Pin 1/4 x 1 1/4
34	1	TL550-100-069	Throttle Spring
35	1	39696	Folding Pushoff Right Base
36	1	39697	Folding Pushoff Left Base
37	2	HB 3/4-10X4 Z5	Hex Bolt 3/4-10x4 Grade 5 Zinc Plated Hex Cap Screw
38	2	LN 3/4 N	LN 3/4-10 Zinc Plated Nylon Insert Lock Nut

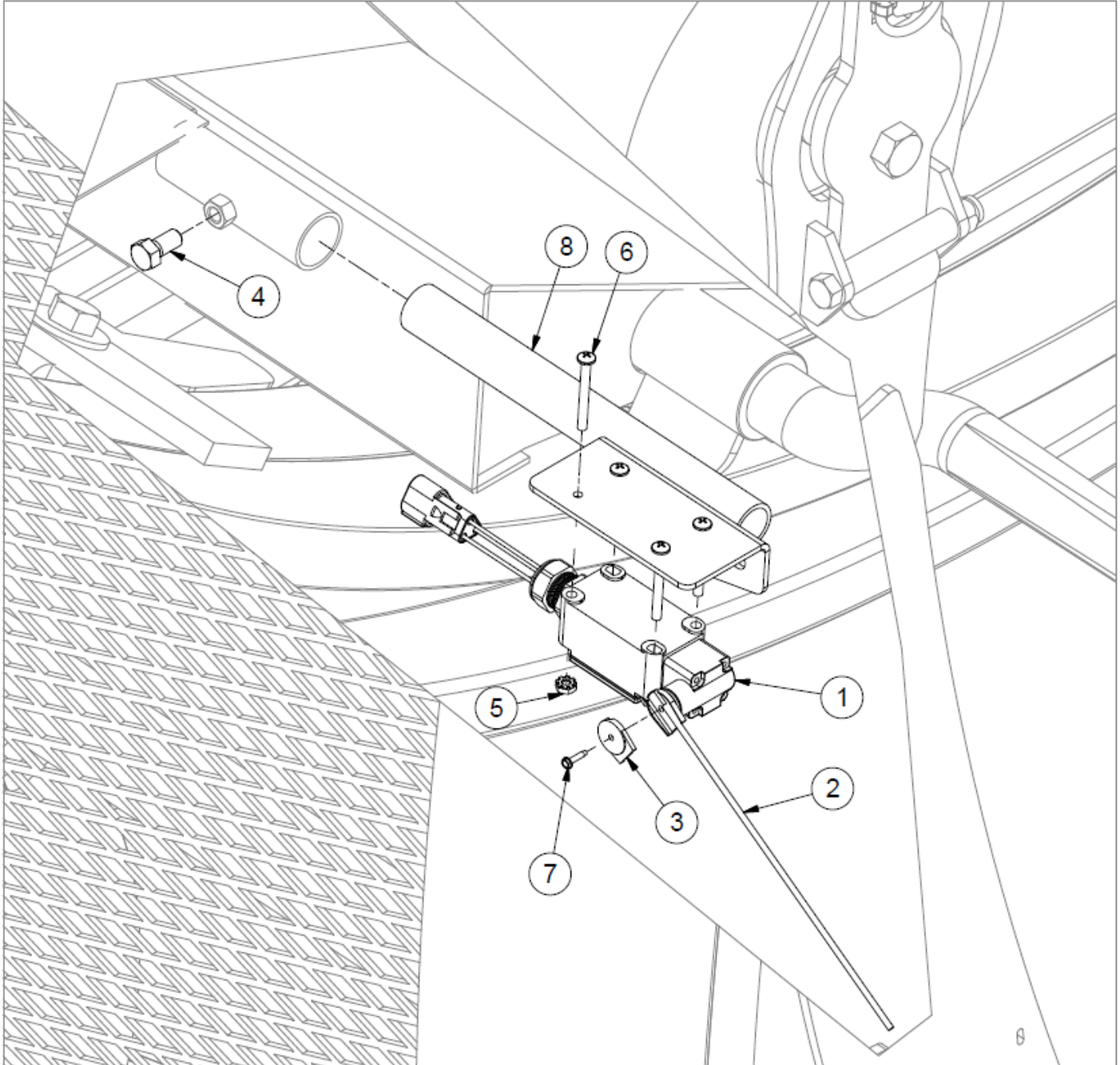
TLGSECV - Laser Guidance System



TLGSECV - Laser Guidance System

ITEM	QTY	PART NUMBER	DESCRIPTION
1	1	27566	Spring Compression .97 OD x 2.0 Long
2	1	39367	Laser Pin Bracket
3	1	39372	Pivot Bracket
4	1	40846	Stiffener Plate
5	1	FW 1/2	Flatwasher - 1/2" Zinc Plated USS (1096)
6	1	FW 5/16	Flatwasher - 5/16" Zinc Plated USS (3840)
7	1	HB 5/16-18X1.1/4 Z5	Hex Bolt - 5/16"-18 x 1 1/4" Grade 5 Zinc Plated Hex Cap Screw
8	2	HB 8-32X32 Z5	Hex Bolt - #8-32 x 2 Zinc Finish Flat Socket Cap Screw
9	2	HN 8	Hex Nut #8-32 Zinc
10	1	HP .125 X 1.5	Hair Pin
11	1	LN 5/16	Center Locknuts
12	1	39387	Sensor for Wrapper Guiding System
	1	42314	ECV Laser Guidance Wire Assembly

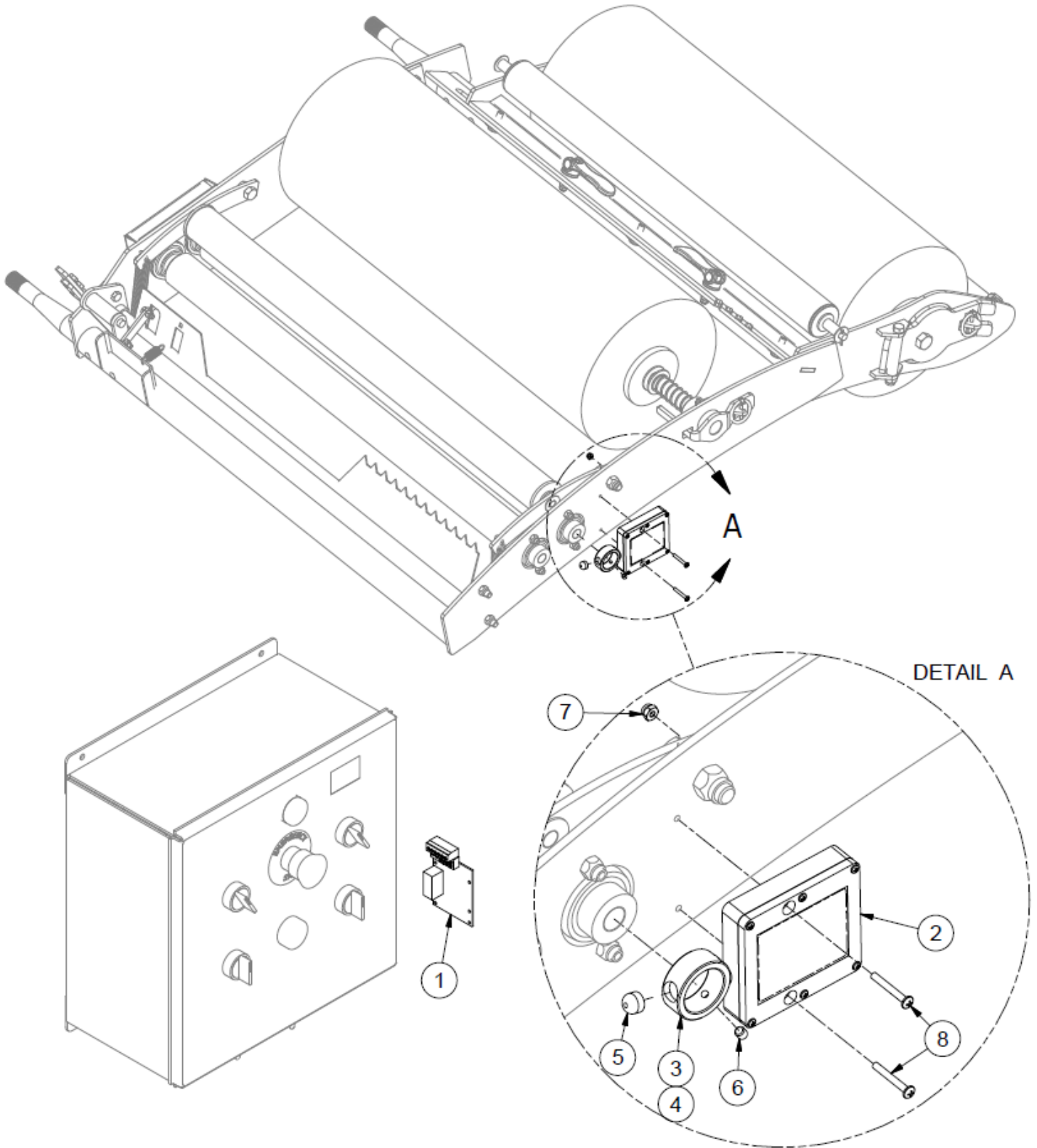
TLPSSK-ECV - Plastic Sensor Shutdown Kit



TLPSSK-ECV - Plastic Sensor Shutdown Kit

ITEM	QTY	PART NUMBER	DESCRIPTION	NOTE
1	1	32635	ECV Wrapper, Film Sensor Switch	Inc Items 2 & 3
2	1	TL550-100-049	Wire Arm	
3	1	TL550-100-082	Wire Clamp	
4	1	HB 3/8-16X0.75 Z5	Hex Bolt 3/8-16x3/4 Grade 5 Zinc Plated Hex Cap Screw	
5	4	LN 10-24	K-Lok Locknut	
6	4	MS #10X24X1.75	Machine Screw - (Inch)	
7	1	MS 4 X 0.5 SDS	Machine Screw - 1/8 x 1/2 Hex Washer Head Self Drilling Screw Zinc	
8	1	TLFSB2007	Film Sensor Mtg. Brkt.	

TLPSSKW - Wireless Plastic Sensor Shutdown Kit



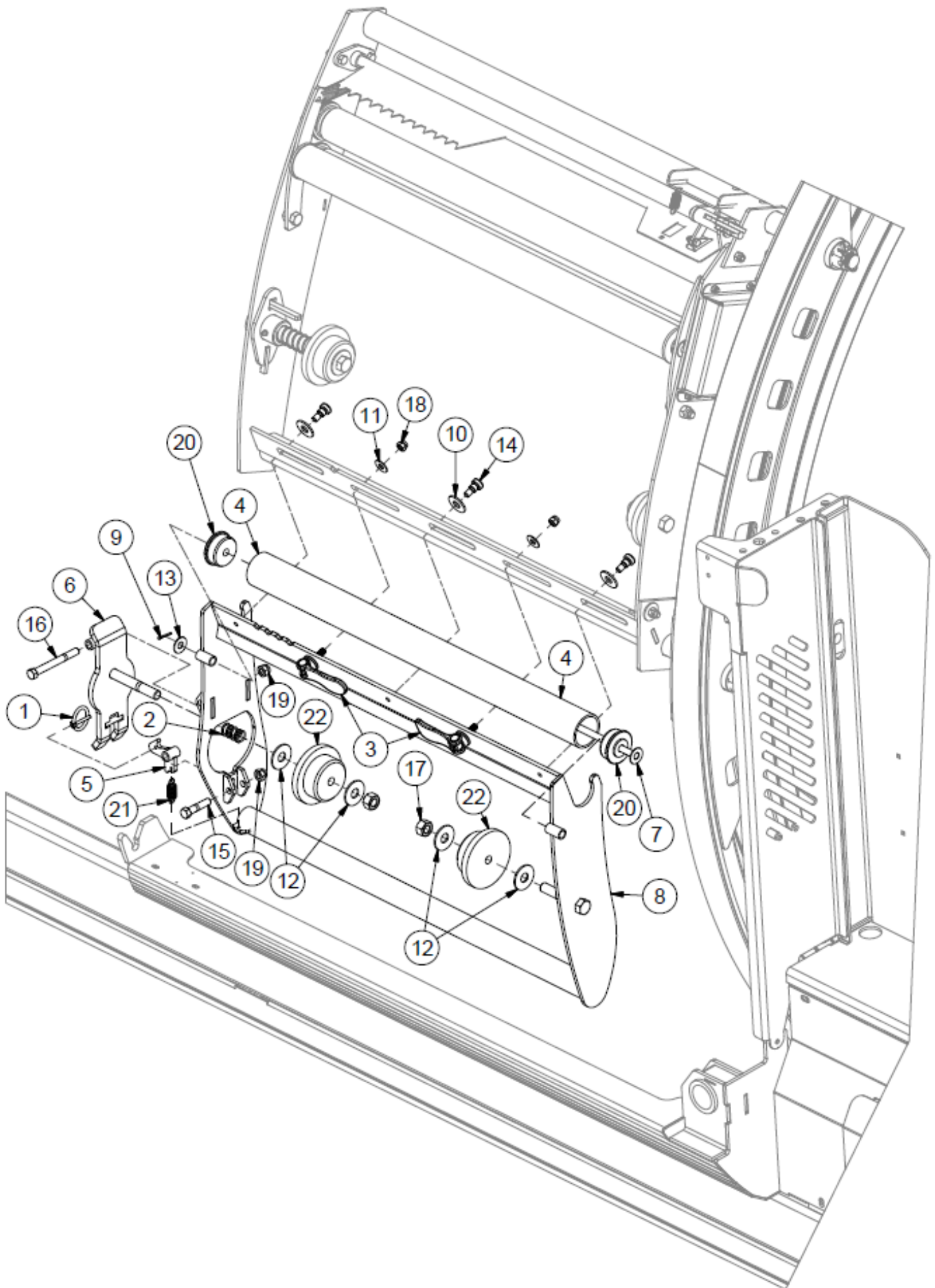
TLPSSKW - Wireless Plastic Sensor Shutdown Kit

ITEM	QTY	PART NUMBER	DESCRIPTION	NOTE
1	1	41969	Film Sensor Reciever Board	
2	2	41970	Film Sensor Transmitter Board	
3	2	42697	Film Sensor Bushing Assembly	Inc Items 4 - 6
4	2	42698	Film Sensor Bushing	
5	4	42699	1/2" Rare Earth Magnet	
6	2	SS 14X14	Allan Head Set Screw, Cup Point Set Screw 1/4-20 x 1/4	
7	2	LN #8 N	LN 3/16-32 Zinc Plated Nylon Insert Lock Nut	
8	2	MS #8X32X1.25	Machine Screw - (Inch)	

TLGR50 - Optional Guide Rollers

ITEM	QTY	PART NUMBER	DESCRIPTION
1	2	43631	Guide Roller
2	2	43723	Guide Roller Mount
3	2	43808	Guide Roller Shaft
4	2	HB 1/2-13X3.25 Z5	Hex Bolt 1/2-13x3 1/4 Grade 5 Zinc Plated Hex Cap Screw
5	2	LN 1/2 N	LN 1/2-13 Zinc Plated Nylon Insert Lock Nut
6	4	RR 1.188	Retaining Ring-1 3/16- External

TLTWKOFF - Offset Twin Wrap Kit



TLTWKOFF - Offset Twin Wrap Kit

ITEM	QTY	PART NUMBER	DESCRIPTION	NOTE
	1	TLTWKOFF	Complete Offset Twin Wrap Kit	Inc. 2 of 44277
	2	44277	Offset Twin Wrap Assembly	Items 1-22 (Qty for 1 side only)
1	1	25680	Lynch Pin 3/16 X 1.5	
2	1	41916	Twin Wrap Spring	
3	2	41927	Cam Handle	
4	1	44279	Plastic Roller	
5	1	44280	Latch Hook	
6	1	44281	Spool Latch	
7	1	44282	Twin Wrap Roller Pin	
8	1	44283	Twin Wrap Frame	
9	1	CP 18X1	Pin, Cotter - 1/8" X 1.0"	
10	3	FW 1/2	Flatwasher - 1/2" Zinc Plated USS	
11	2	FW 3/8	Flatwasher - 3/8" Zinc Plated USS	
12	4	FW 5/8	Flatwasher - 5/8" Zinc Plated USS	
13	1	FW 7/16	Flatwasher - 7/16" Zinc Plated USS	
14	3	HB 1/2X3/8 SS	Socket Head Shoulder Screws - 1/2 Shldr x 3/8 x 3/8-16	
15	1	HB 7/16-14X2 Z5	Hex Bolt 7/16-14x2 Grade 5 Zinc Plated Hex Cap Screw	
16	1	HB 7/16-14X4 Z5	Hex Bolt 7/16-14x4 Grade 5 Zinc Plated Hex Cap Screw	
17	2	HN 5/8	Hex Nut 5/8"-11 Grade 5 Zinc Plated Finished	
18	2	LN 3/8 N	LN 3/8-16 Zinc Plated Nylon Insert Lock Nut	
19	2	LN 7/16 N	LN 7/16-14 Zinc Plated Nylon Insert Lock Nut	
20	2	TL500-100-021	Plastic Roller Cap	
21	1	TL500-100-062	Trigger Spring	
22	2	TL550-200-012	Plastic Wrap Spool	

TLRF - Roadflex Suspension Axle

Not available at time of publication.

TLRF - Roadflex Suspension Axle












Not available at time of publication.

Safety Decal List

ITEM	QTY	PART NUMBER	DESCRIPTION
1	1	DE23941	Canada/USA Patent Decal
2	1	DE23959	Bale Settings Correct and Incorrect
3	1	DE23971	Wrapping and Storage Decal
4	2	DE23974	Wrap Instruction Decal
5	1	DE30871	Oil Fill Cap Decal
6	1	DE30879	Remote Control Decal
7	1	DE30880	Battery Boost Decal
8	2	DE30881	Tape Holder Decal
9	1	DE41713H	ISO Decal - High Pressure Fluid Horizontal
10	1	DE41714S	ISO Decal - Read Operator's Manual (50mm X 96mm)
11	1	DE41715S	ISO Decal - Remove Key Before Repair (50mm X 96mm)
12	2	DE41921	ISO Decal - Do Not Stand on Rollers
13	1	DE41924	ISO Decal - TL6000 Transport Lock Arm
14	1	DE41925	ISO Decal - Hoop Wheel Entanglement
15	1	DE41932	Right Bale Saddle Decal
16	1	DE41933	Left Bale Saddle Decal
17	1	DE41935H	ISO Decal - Transport Speed Limit
18	1	DE42784S	ISO Decal - Read OM Decal Section (50mm x 96mm)
19	2	DE43049	ISO Decal - Wheel Crush
20	1	DE43873S	ISO Decal - Engine Start in MAN
21	1	DE43874S	ISO Decal - Panel OFF Before Boosting
22	1	DE43875H	ISO Decal - Hand Crush
23	1	DECANADA	Decal Made In Canada

Imperial Torque Value Chart

UNIFIED INCH BOLT AND CAP SCREW TORQUE VALUES

SAE Grade and Head Markings	1 or 2 ^b	5	5.1	5.2	8	8.2
	NO MARK 					
SAE Grade and Nut Markings	2	5		8		
	NO MARK 					

T81162 -19-03M4109

Size	Grade 1				Grade 2 ^b				Grade 5, 5.1, or 5.2				Grade 8 or 8.2			
	Lubricated ^a		Dry ^a		Lubricated ^a		Dry ^a		Lubricated ^a		Dry ^a		Lubricated ^a		Dry ^a	
	N-m	lb-ft	N-m	lb-ft	N-m	lb-ft	N-m	lb-ft	N-m	lb-ft	N-m	lb-ft	N-m	lb-ft	N-m	lb-ft
1/4	3.7	2.8	4.7	3.5	6	4.5	7.5	5.5	9.5	7	12	9	13.5	10	17	12.5
5/16	7.7	5.5	10	7	12	9	15	11	20	15	25	18	28	21	35	26
3/8	14	10	17	13	22	16	27	20	35	26	44	33	50	36	63	46
7/16	22	16	28	20	35	26	44	32	55	41	70	52	80	58	100	75
1/2	33	25	42	31	53	39	67	50	85	63	110	80	120	90	150	115
9/16	48	36	60	45	75	56	95	70	125	90	155	115	175	130	225	160
5/8	67	50	85	62	105	78	135	100	170	125	215	160	240	175	300	225
3/4	120	87	150	110	190	140	240	175	300	225	375	280	425	310	550	400
7/8	190	140	240	175	190	140	240	175	490	360	625	450	700	500	875	650
1	290	210	360	270	290	210	360	270	725	540	925	675	1050	750	1300	975
1-1/8	400	300	510	375	400	300	510	375	900	675	1150	850	1450	1075	1850	1350
1-1/4	570	425	725	530	570	425	725	530	1300	950	1650	1200	2050	1500	2600	1950
1-3/8	750	550	950	700	750	550	950	700	1700	1250	2150	1550	2700	2000	3400	2550
1-1/2	1000	725	1250	925	990	725	1250	930	2250	1650	2850	2100	3600	2650	4550	3350

DO NOT use these values if a different torque value or tightening procedure is given for a specific application. Torque values listed are for general use only. Check tightness of fasteners periodically.

Shear bolts are designed to fail under predetermined loads. Always replace shear bolts with identical grade.

^a "Lubricated" means coated with a lubricant such as engine oil, or fasteners with phosphate and oil coatings. "Dry" means plain or zinc plated without any lubrication.

^b Grade 2 applies for hex cap screws (not hex bolts) up to 152 mm (6-in.) long. Grade 1 applies for hex cap screws over 152 mm (6-in.) long, and for all other types of bolts and screws of any length.

Fasteners should be replaced with the same or higher grade. If higher grade fasteners are used, these should only be tightened to the strength of the original.

Make sure fasteners threads are clean and that you properly start thread engagement. This will prevent them from failing when tightening.

Tighten plastic insert or crimped steel-type lock nuts to approximately 50 percent of the dry torque shown in the chart, applied to the nut, not to the bolt head. Tighten toothed or serrated-type lock nuts to the full torque value.

Metric Torque Value Chart

METRIC BOLT AND CAP SCREW TORQUE VALUES

Property Class and Head Markings	4.8		8.8		9.8		10.9		12.9	
Property Class and Nut Markings	5		10		10		10		12	

Size	Class 4.8				Class 8.8 or 9.8				Class 10.9				Class 12.9			
	Lubricated*		Dry*		Lubricated*		Dry*		Lubricated*		Dry*		Lubricated*		Dry*	
	N-m	lb-ft	N-m	lb-ft	N-m	lb-ft	N-m	lb-ft	N-m	lb-ft	N-m	lb-ft	N-m	lb-ft	N-m	lb-ft
M6	4.8	3.5	6	4.5	9	6.5	11	8.5	13	9.5	17	12	15	11.5	19	14.5
M8	12	8.5	15	11	22	16	28	20	32	24	40	30	37	28	47	35
M10	23	17	29	21	43	32	55	40	63	47	80	60	75	55	95	70
M12	40	29	50	37	75	55	95	70	110	80	140	105	130	95	165	120
M14	63	47	80	60	120	88	150	110	175	130	225	165	205	150	260	190
M16	100	73	125	92	190	140	240	175	275	200	350	255	320	240	400	300
M18	135	100	175	125	260	195	330	250	375	275	475	350	440	325	560	410
M20	190	140	240	180	375	275	475	350	530	400	675	500	625	460	800	580
M22	260	190	330	250	510	375	650	475	725	540	925	675	850	625	1075	800
M24	330	250	425	310	650	475	825	600	925	675	1150	850	1075	800	1350	1000
M27	490	360	625	450	950	700	1200	875	1350	1000	1700	1250	1600	1150	2000	1500
M30	675	490	850	625	1300	950	1650	1200	1850	1350	2300	1700	2150	1600	2700	2000
M33	900	675	1150	850	1750	1300	2200	1650	2500	1850	3150	2350	2900	2150	3700	2750
M36	1150	850	1450	1075	2250	1650	2850	2100	3200	2350	4050	3000	3750	2750	4750	3500

DO NOT use these values if a different torque value or tightening procedure is given for a specific application. Torque values listed are for general use only. Check tightness of fasteners periodically.

Shear bolts are designed to fail under predetermined loads. Always replace shear bolts with identical property class.

Fasteners should be replaced with the same or higher property class. If higher property class fasteners are used, these should only be tightened to the strength of the original.

* "Lubricated" means coated with a lubricant such as engine oil, or fasteners with phosphate and oil coatings. "Dry" means plain or zinc plated without any lubrication.

Make sure fasteners threads are clean and that you properly start thread engagement. This will prevent them from failing when tightening.

Tighten plastic insert or crimped steel-type lock nuts to approximately 50 percent of the dry torque shown in the chart, applied to the nut, not to the bolt head. Tighten toothed or serrated-type lock nuts to the full torque value.

Index

13hp Throttle Linkage2-5
20hp Throttle Linkage2-7
Bale Deck	1-24
Bale Saddles	1-26
Battery4-5
Control Panel4-1
Cylinder Supports	1-16
Front Corners	1-18
Front Pushoff	1-22
Guide Rollers - Standard	1-38
Hoop1-2
Hoop Drive1-4
Hydraulic Layout - Front Circuits3-1
Hydraulic Layout - Rear Circuits3-3
Hydraulic Manifold Connections3-8
Hydraulic Manifold Mount3-7
Hydraulic Manifold Valves3-9
Hydraulic Oil Tank3-5
Imperial Torque Value Chart7-1
Inline Wrapper 3 Year Limited Warranty Statement (<i>Excludes Individual Wrapper</i>)	II
Left Hoop Brace1-8
Main Electrical Harness4-3
Maintenance Guard	1-14
Manuals	I
Metric Torque Value Chart8-1
Parking Brake	1-34
Part Orders	I
Parts Manual	I
Parts Manual Usage	I
Plastic Film Carrier1-6
Rear Axle	1-32
Rear Light Brackets	1-36
Right Hoop Brace	1-10
Roller Bed	1-30
Safety Decal List6-2
Safety Decal Locations6-1
Safety Guard	1-12
Section 1: Basic Parts1-1
Section 2: Engines2-1
Section 3: Hydraulics3-1
Section 4: Electrical4-1
Section 5: Options5-1
Section 6: Decals6-1
Serial Number	I

Side Rails	1-20
Speed Sensor4-7
Steering.	1-28
Table Trigger4-9
TL13HP - 13hp Honda2-1
TL20HP - 20hp Honda2-3
TL500-100-060 - Dual Power Drive Assembly5-6
TLGR50 - Optional Guide Rollers.	5-22
TLGSECV - Laser Guidance System.	5-16
TLHPD60ECV - Single Power Drive5-2
TLHPDD60ECV - Dual Power Drive5-4
TLMPO-5000 - Bale Dispatch Arm	5-14
TLNWLK-ECV - Halogen Night Light Kit.	5-10
TLNWLKLED-ECV - LED Night Light Kit5-8
TLPSSK-ECV - Plastic Sensor Shutdown Kit	5-18
TLPSSKW - Wireless Plastic Sensor Shutdown Kit	5-20
TLRF - Roadflex Suspension Axle	5-26
TLRSSKX2HD(E) - Remote Control Kits	5-12
TLTWKOFF - Offset Twin Wrap Kit	5-24



WARNING

The engine exhaust from this product contains chemicals known in the state of California to cause cancer, birth defects, or other reproductive harm.

TUBE•LINE™