

TUBE•LINE™

Tubeline Manufacturing Limited
6455 Reid Woods Drive RR #4
Elmira, Ontario, Canada N3B 2Z3

Email: sales@tubeline.ca

Fax: 519.669.5808

Tel: 519.669.9488

Toll-free (North America): 1.888.856.6613

www.tubeline.ca

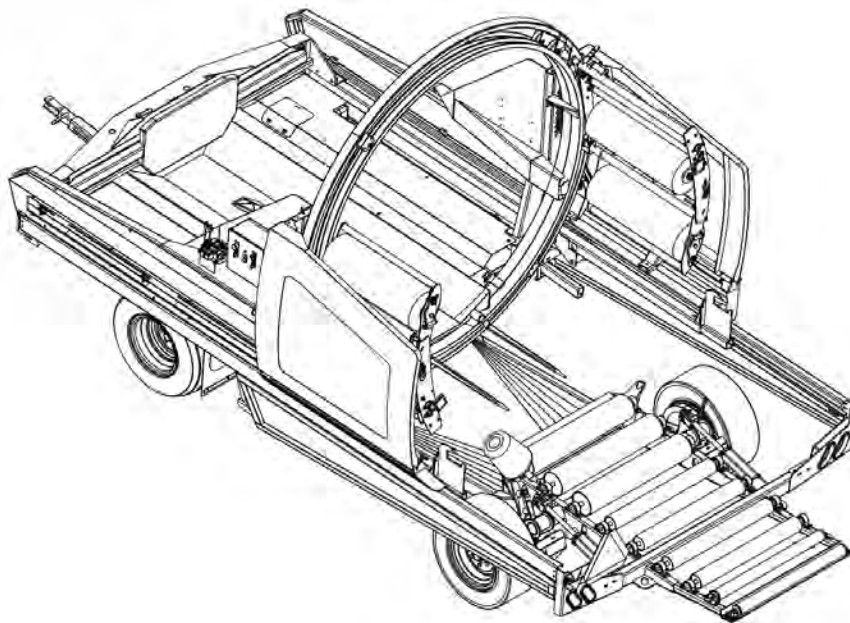
Parts Manual

Keep this manual with the machine at all times.

TL50LSV

Balewrapper

TL50LSV



Parts Manual

Thank you for choosing the Tubeline TL50LSV Balewrapper. Our hope is that it will give you many years of productive service. This machine is designed to wrap bales in a continual line with plastic film.

Parts Manual Usage

This parts manual is used to order replacement parts by means of part breakdowns and their corresponding part lists. Each page contains a different range of integrated parts. Each illustration visually represents machine components. The part lists contain information needed to order replacement parts. Part lists include the following columns:

ITEM - Number matching parts breakdown balloons.

QTY - Quantity of components included in this breakdown, not entire machine.

PART NUMBER - The number to be used when placing an order.

DESCRIPTION - Term used to confirm its matching part number.

NOTE - Column may be added to part lists when a serial break or additional information is required.

Remember to always have your machine model and serial number on hand when ordering parts.

Part Orders

Part orders are taken by your local Tubeline dealer and fulfilled through a regional distributor. For quick service please record your dealer name and contact information in the [Serial Number](#) section.

Manuals

Parts manuals are printed and shipped with machines as they leave the manufacturer. Your machine may include parts or features not yet included in the initially shipped manual. The latest manual version can be found at www.tubeline.ca/support. Tubeline reserves the right to update and change manuals as seen fit. Dealers are informed of any pressing changes/ modifications. They can help you with any questions regarding replacement parts.

Serial Number

The implement serial number is located on the front left corner of the frame. (See below) This number helps us to track changes and improvements and must be mentioned when ordering parts or requesting service. For your convenience, a space has been provided inside the front cover of this manual to record the serial number, model number, purchase date, and dealer name.

Model No: _____ TL50LSV _____

Serial No: _____

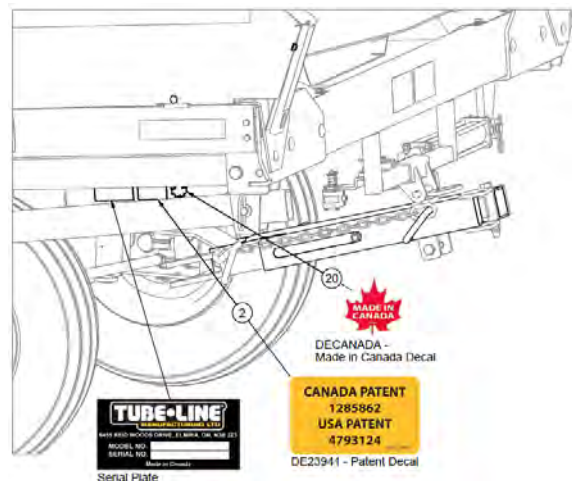
Date Purchased: _____

Dealer Name: _____

Dealer Contact: _____

Engine Model No: _____

Engine Serial No: _____





Inline Wrapper 3 Year Limited Warranty Statement *(Excludes Individual Wrapper)*

All Equipment is sold subject to mutual agreement that it is warranted by Tube-Line Manufacturing Ltd (hereinafter the company) to be free from defects in material and workmanship. The company's liability shall be limited exclusively to the original owner to replace or repair without charge, at its factory or elsewhere, at its discretion, any defects in material or workmanship which become apparent in the first year from the date on which the equipment was purchased. In the second and third year the company will supply at no charge replacement of defective parts only. Installation and freight will be at the expense of the owner.

Components supplied by third parties and not manufactured by the company will carry such warranty as extended by such parties, such as but not limited to, tires, batteries, electrical components, hydraulics and engines.

The buyer by the acceptance of the equipment will assume all liability for any damages which may result from accident, abuse or misuse by his employees or others. Any equipment that has been altered or modified without prior written authorization by the company will render the warranty null and void.

No employee or representative of the company is authorized to make changes to this warranty or grant additional warranty terms unless authorized in writing by management of the company.

The company shall not be liable for special, indirect or consequential damages of any kind including but not limited to, loss of revenue, rental replacement costs or other losses.

Normal wear and tear from normal use of the equipment is not warranted. The end user is expected to maintain and service the equipment in accordance with accepted practices. Failure to do so will void the terms of this warranty.

Warranty coverage is null and void unless Warranty Registration form has been completely filled in and is on file at Tube-Line Manufacturing Ltd.

NOTE: Newest manual version can be found at www.tubeline.ca/support

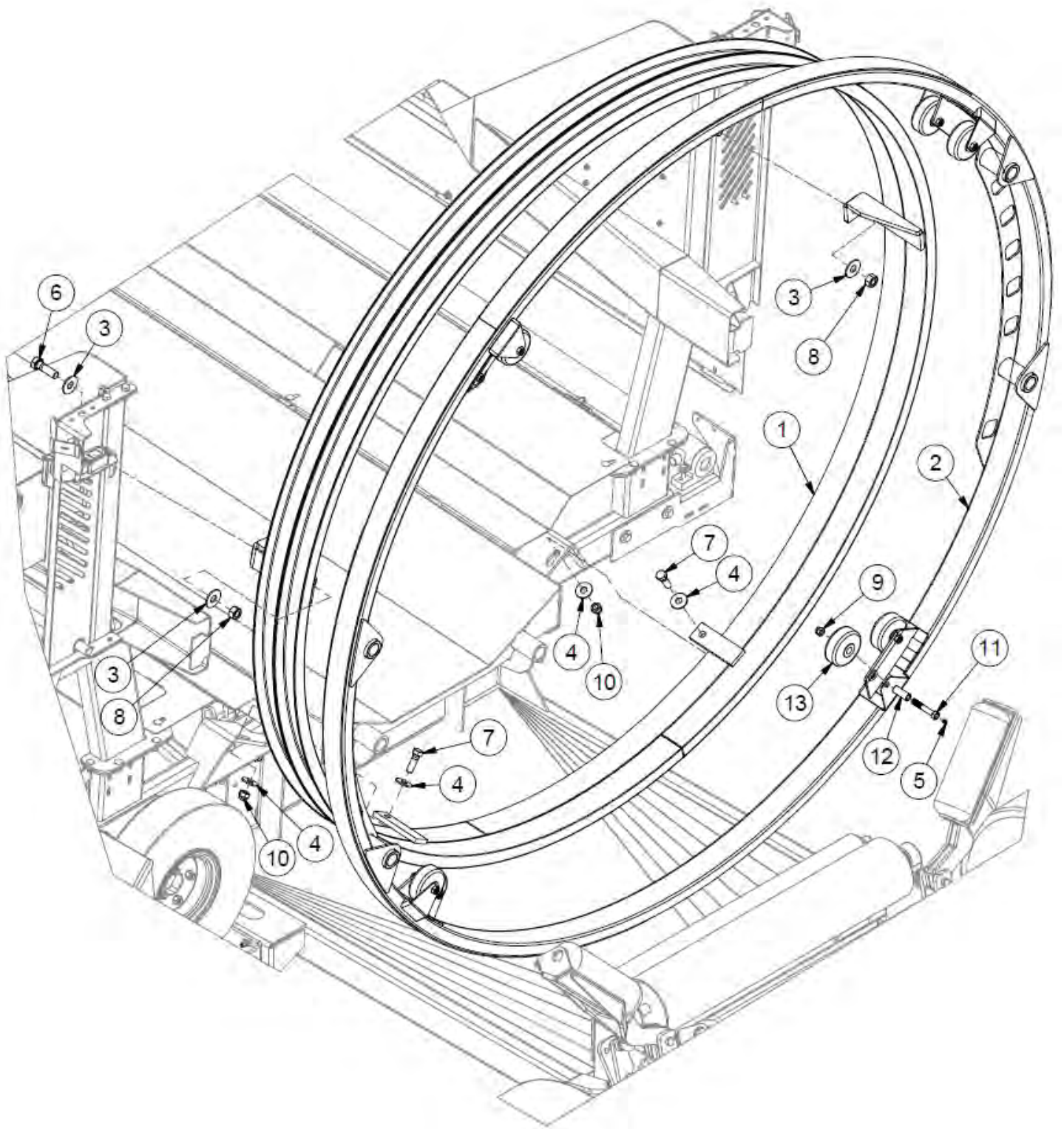
Table of Contents

Parts Manual	I
Parts Manual Usage	I
Part Orders	I
Manuals	I
Serial Number	I
Inline Wrapper 3 Year Limited Warranty Statement (<i>Excludes Individual Wrapper</i>)	II
Section 1: Basic Parts	1-1
Hoop	1-2
Hoop Drive	1-4
Plastic Film Carrier	1-6
Left Hoop Brace	1-8
Right Hoop Brace	1-10
Safety Guard	1-12
Maintenance Guard	1-14
Cylinder Supports	1-16
Front Corners	1-18
Side Rails	1-20
Front Pushoff	1-22
Bale Deck	1-24
Table Trigger	1-26
Steering	1-28
Roller Bed	1-30
Rear Axle	1-32
TL109-100-355 - Parking Brake	1-34
Rear Light Brackets	1-36
Standard Guide Rollers - TLGR50 - Up to SN 2050L172	1-38
Standard Guide Rollers - 48001 - SN 2150L001 to Current	1-39
Section 2: Engines	2-1
TL13HP - 13hp Honda	2-1
TL20HP - 20hp Honda	2-3
13hp Throttle Linkage	2-5
20hp Throttle Linkage	2-6
Section 3: Hydraulics	3-1
Hydraulic Layout - Front Circuits	3-1
Hydraulic Layout - Rear Circuits	3-3
Hydraulic Oil Tank	3-5
Hydraulic Manifold	3-7
Hydraulic Manifold Connections	3-9
Section 4: Electrical	4-1
Control Panel	4-1
Battery	4-3
Running Lights	4-5
Section 5: Options	5-1
TLHPD5000 - Single Power Drive	5-2
TLHPDD5000 - Dual Power Drive	5-4
TL109-100-360 - Dual Power Drive Bracket	5-6
TLNWLKLED - LED Night Light Kit	5-8
TLNWLK - Halogen Night Light Kit	5-10
TLRSSKX2HD(E) - Remote Control Kits	5-12

TLMPO-5000 - Bale Dispatch Arm	5-14
TLGS - Laser Guidance System	5-16
TLPSSK - Plastic Sensor Shutdown Kit	5-18
TLPSSKW - Wireless Plastic Sensor Shutdown Kit	5-20
Optional Guide Rollers - TLGR50 - Up to SN 2150L172.....	5-22
Optional Guide Rollers - 48001 - SN 2150L001 to Current.....	5-23
TLTWKOFF - Offset Twin Wrap Kit	5-26
TLOGS - Optional Safety Guard	5-28
TLRF - Roadflex Suspension Axle.....	5-30
Section 6: Decals	6-1
Safety Decal Locations	6-1
Safety Decal List	6-2
Model Decal Locations	6-3
Model Decal List	6-4
Imperial Torque Value Chart	7-1
Metric Torque Value Chart	8-1

Section 1: Basic Parts

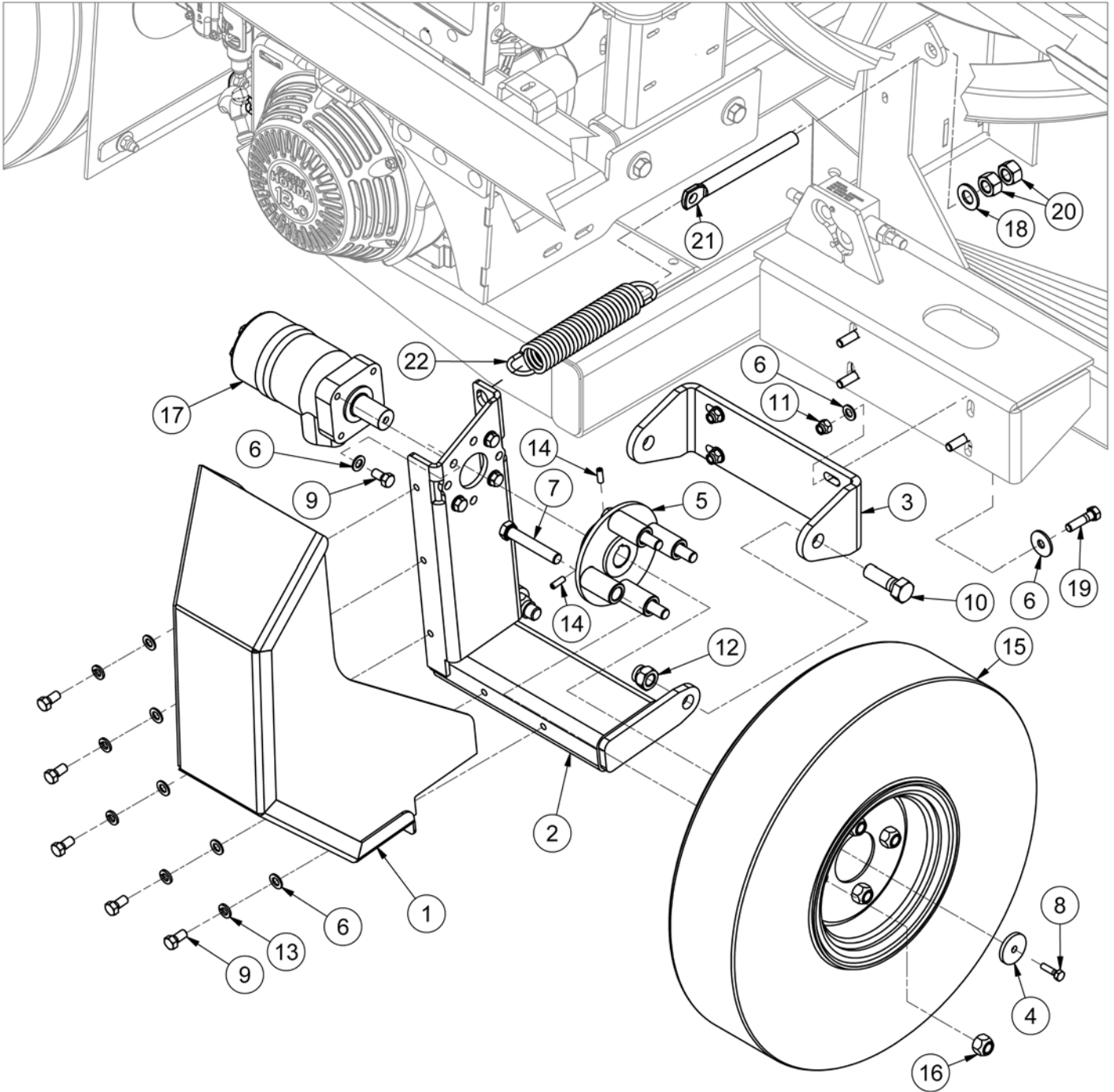
Hoop



Hoop

ITEM	QTY	PART NUMBER	DESCRIPTION
1	1	44258	Large 5000 Inner Hoop
2	1	44265	Large 5000 Outer Hoop
3	2	FW 3/4	Flatwasher - 3/4" Zinc Plated USS
4	4	FW 5/8	Flatwasher - 5/8" Zinc Plated USS
5	8	GR 1/4 X 28	Grease Fitting 1/4-28 Straight-Standard Zerk
6	2	HB 3/4-10X2.5 Z5	Hex Bolt 3/4-10x2 1/2 Grade 5 Zinc Plated Hex Cap Screw
7	2	HB 5/8-11X2 Z5	Hex Bolt 5/8-11x2 Grade 5 Zinc Plated Hex Cap Screw
8	2	HN 3/4	Hex Nut 3/4"-10 Grade 5 Zinc Plated Finished
9	8	LN 1/2 N	LN 1/2-13 Zinc Plated Nylon Insert Lock Nut
10	2	LN 5/8 N	LN 5/8-11 Zinc Plated Nylon Insert Lock Nut
11	8	TL500-100-015	Hoop Wheel Axle Bolt
12	8	TL550-200-016	Spanner
13	8	TLWHEEL01	Hoop Wheel

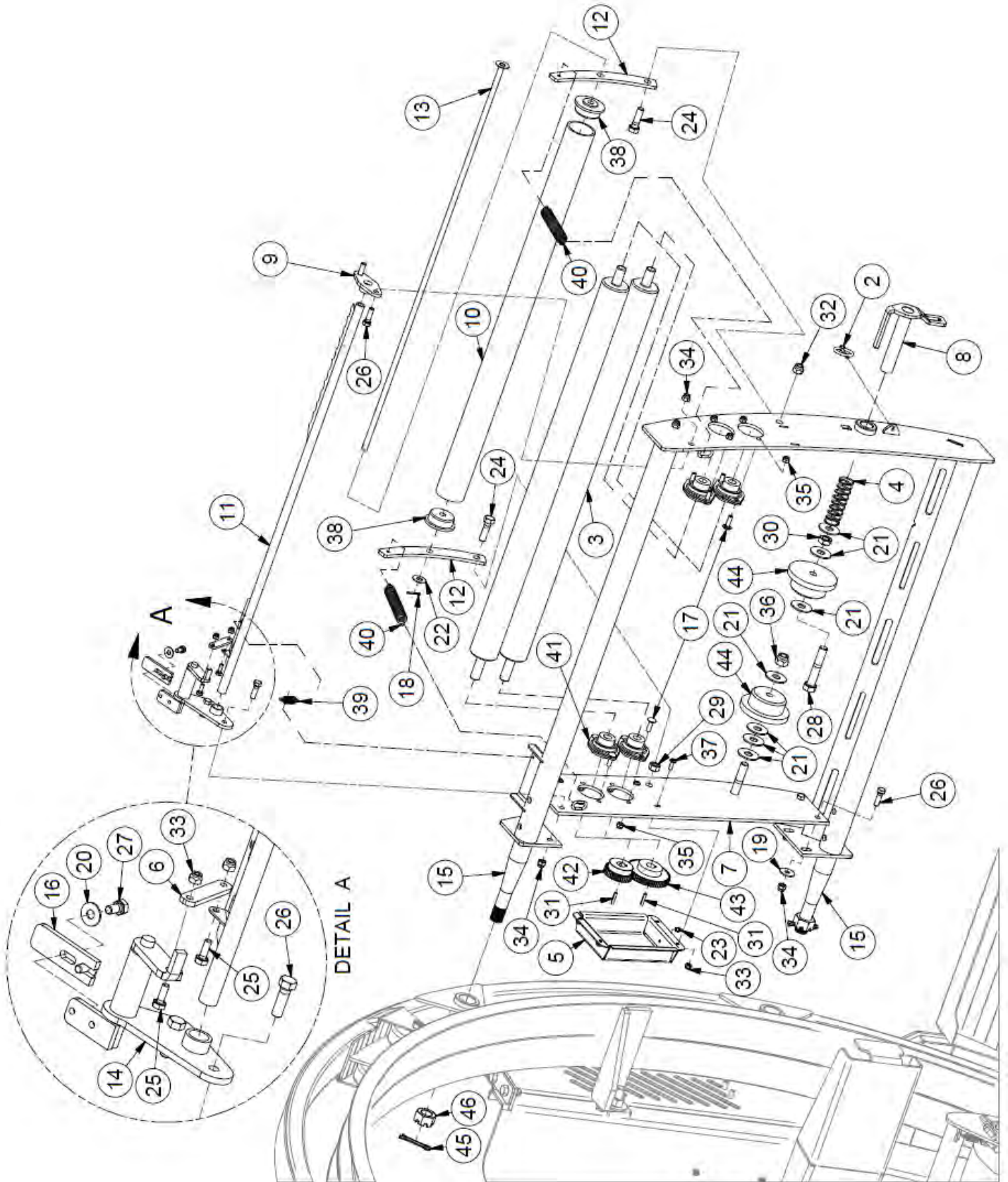
Hoop Drive



Hoop Drive

ITEM	QTY	PART NUMBER	DESCRIPTION
1	1	44237	Hoop Wheel Guard
2	1	44238	Hoop Motor Mount
3	1	44239	Hoop Wheel Base
4	1	44240	Hoop Motor Plate
5	1	44241	Hoop Drive Wheel Hub
6	17	FW 3/8	Flatwasher - 3/8" Zinc Plated USS
7	4	HB 1/2-20 X3 YZ8	Hex Bolt 1/2-20x3 Grade 8 Zinc Hex Cap Screw
8	1	HB 1/4-20X1 Z5	Hex Bolt 1/4-20x1 Grade 5 Zinc Plated Hex Cap Screw
9	9	HB 3/8-16X0.75 Z5	Hex Bolt 3/8-16x3/4 Grade 5 Zinc Plated Hex Cap Screw
10	2	HB 5/8-11X2 Z5	Hex Bolt 5/8-11x2 Grade 5 Zinc Plated Hex Cap Screw
11	4	LN 3/8 N	LN 3/8-16 Zinc Plated Nylon Insert Lock Nut
12	2	LN 5/8 N	LN 5/8-11 Zinc Plated Nylon Insert Lock Nut
13	5	LW 3/8	LW - 3/8" Zinc Plated Medium Split
14	2	SS 14X34	Allan Head Set Screw, 1/4-20 x 3/4
15	1	TL500-100-052	Drive Wheel
16	4	TL500-100-054	Wheel Nut, 1/2"
17	1	TL5X2-200-050	Hydraulic Motor
18	5	FW 5/8	Flatwasher - 5/8" Zinc Plated USS
19	4	HB 3/8-16X1.5 Z5	Hex Bolt 3/8-16x1 1/2 Grade 5 Zinc Plated Hex Cap Screw
20	2	HN 5/8	Hex Nut 5/8"-11 Grade 5 Zinc Plated Finished
21	1	PP00051	Flat Eye Bolt 5/8 X 7.0
22	1	TL500-101-231	Wheel Tensioner Spring

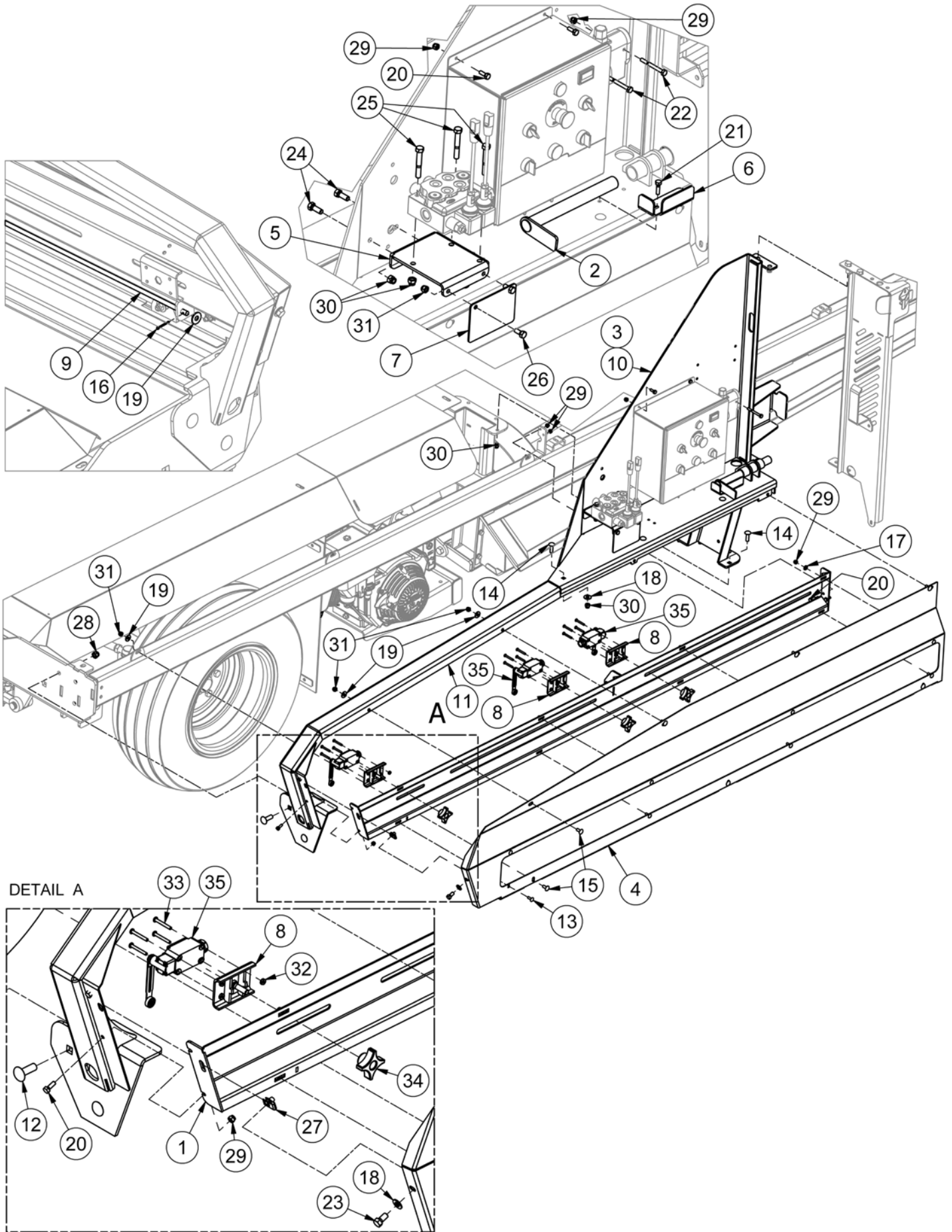
Plastic Film Carrier



Plastic Film Carrier

ITEM	QTY	PART NUMBER	DESCRIPTION	NOTE
1	2	44278	Offset Plastic Wrap Carrier	Items 2-44
2	1	25680	Linchpin 3/16 x 1.5"	
3	2	39916	Extended Tensioner Roller	
4	1	41888	Offset Tensioner Spring	
5	1	44284	Grease Box	
6	1	44285	Swivel Plate	
7	1	44286	Main Wrap Side Plate	
8	1	44287	Wrap Spool Slider Shaft	
9	1	44288	Pivot Support Bracket	
10	1	44289	Extended Plastic Roller	
11	1	44290	Wrap Cut	
12	2	44291	Plastic Roller Mount	
13	1	44292	Plastic Roller Pin	
14	1	44293	Wrap Cut Swivel Handle	
15	1	44294	Main Wrap Frame	
16	1	44400	Snap Adjuster Plate	
17	8	CB 5/16-18 X1 Z5	Carriage Bolt - 5/16-18 x 1" Grade 5 Zinc	
18	1	CP 18X1	Pin, Cotter 1/8 x 1.0	
19	2	FW 3/8	Flatwasher - 3/8" Zinc Plated USS	
20	2	FW 5/16	Flatwasher - 5/16" Zinc Plated USS	
21	7	FW 5/8	Flatwasher - 5/8" Zinc Plated USS	
22	1	FW 7/16	Flatwasher - 7/16" Zinc Plated USS	
23	2	GR 1/4 X 28	Grease Fitting 1/4-28 Strght-Standrd Zerk	
24	2	HB 1/2-13X1.75 Z5	Hex Bolt 1/2-13x1 3/4 Grade 5 Zinc Plated Hex Cap Screw	
25	2	HB 1/4-20X0.75 Z5	Hex Bolt 1/4-20x3/4 Grade 5 Zinc Plated Hex Cap Screw	
26	6	HB 3/8-16X1.25 Z5	Hex Bolt 3/8-16x1 1/4 Grade 5 Zinc Plated Hex Cap Screw	
27	2	HB 5/16-18X0.625 Z5	Hex Bolt 5/16-18x5/8 Grade 5 Zinc Plated Hex Cap Screw	
28	1	HB 5/8-11X3.5 Z5	Hex Bolt 5/8-11x3 1/2 Grade 5 Zinc Plated Hex Cap Screw	
29	2	HN 1/2	Hex Nut 1/2"-13 Grade 5 Zinc Plated Finished	
30	1	HN 5/8 JAM	Hex Nut - 5/8-11 Zinc Plated Hex Jam Nut	
31	2	KS44823	Keystock .188 X 1	
32	2	LN 1/2 N	LN 1/2-13 Zinc Plated Nylon Insert Lock Nut	
33	6	LN 1/4 N	LN 1/4-20 Zinc Plated Nylon Insert Lock Nut	
34	6	LN 3/8 N	LN 3/8-16 Zinc Plated Nylon Insert Lock Nut	
35	8	LN 5/16 N	LN 5/16-18 Zinc Plated Nylon Insert Lock Nut	
36	1	LN 5/8 N	LN 5/8-11 Zinc Plated Nylon Insert Lock Nut	
37	4	MS 1/4X20X0.75	Machine Screw - (Inch)	
38	2	TL500-100-021	HMWPVC - Plastic End Cap	
39	1	TL500-100-062	Extension Spring	
40	2	TL500-100-135	Spring - Tensioner	
41	4	TL550-100-007	Flange Bearing, 3/4" (2 Flanges & Bearing)	
42	1	TL550-100-008	Small Gear - 3/4 Bore, KW, SS, 14 1/2 deg, 2.25 P.D.	C/w 2 Set Screws
43	1	TL550-100-009	Large Gear - 3/4 Bore, KW, SS, 14 1/2 deg, 3.50 P.D.	C/w 2 Set Screws
44	2	TL550-200-012	Plastic Wrap Spool	
45	4	CP 1/4 x 2.0	Pin, Cotter - 1/4" x 2" Zinc Plated	
46	4	HN 1.0-14NFCastle	Hex Nut 1"-14 Slotted Plain Finish (NF Castle Nut Bare)	

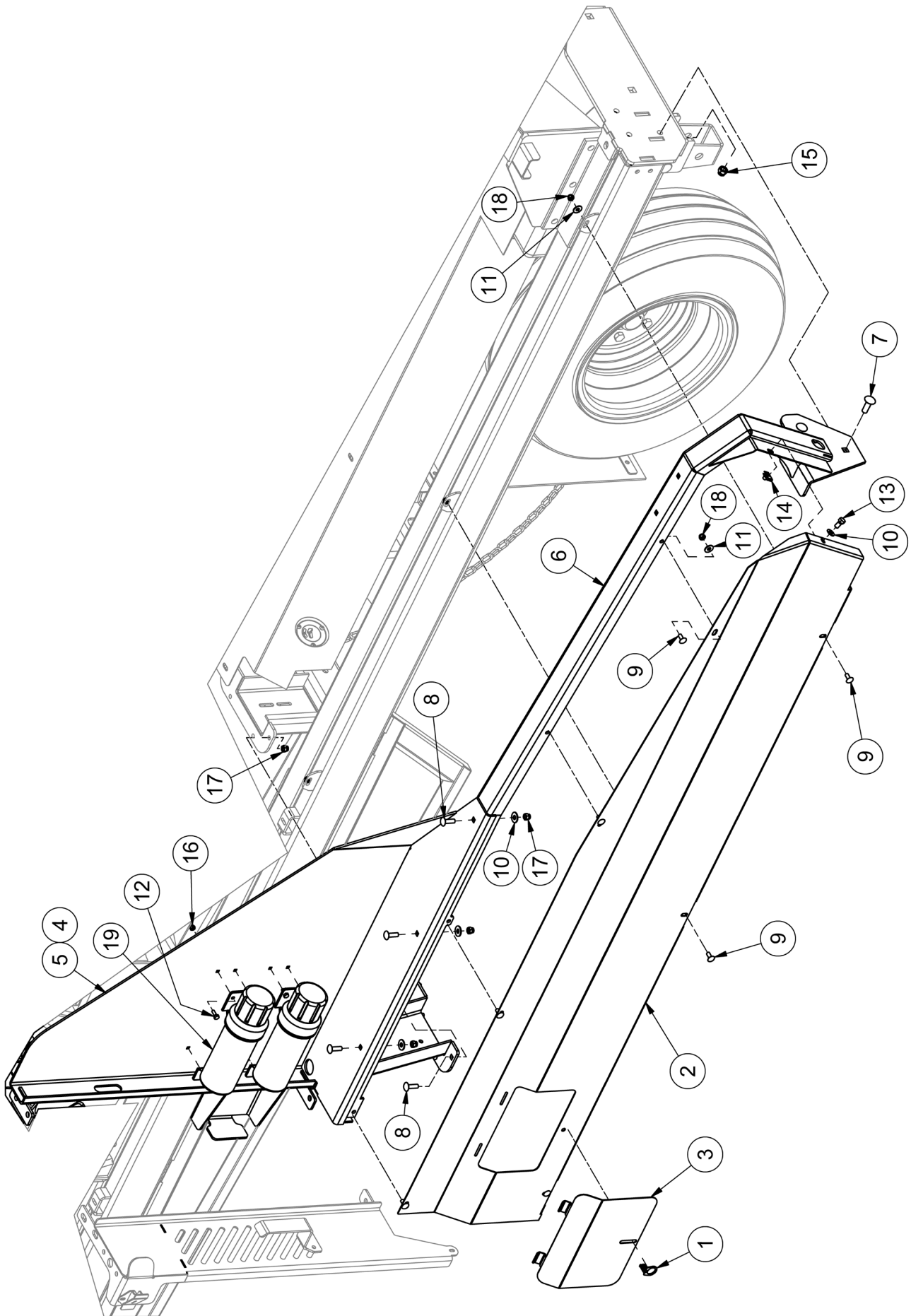
Left Hoop Brace



Left Hoop Brace

ITEM	QTY	PART NUMBER	DESCRIPTION	S/N BREAK
1	1	42490	Limit Switch Track	
2	1	43243	Hoop Lock Pin	
3	1	43323	Left Hoop Brace	Up to 1950L190
4	1	43332	Left Side Shield	
5	1	44224	Spool Valve Mount	
6	1	44227	Hoop Handle Lock	
7	1	44266	Decal Plate	
8	3	44355	Limit Switch Mount Bracket	
9	1	44826	TL50LSV Cable Slider	
10	1	45692	Left Hoop Brace	2050L001 - Current
11	1	45693	Left Hoop Brace Support	2050L001 - Current
12	3	CB 1/2-13 X1.5 Z5	Carriage Bolt - 1/2-13 x 1 1/2" Grade 5 Zinc	
13	8	CB 1/4-20 X0.75 Z5	Carriage Bolt - 1/4-20 x 3/4" Grade 5 Zinc	
14	7	CB 3/8-16 X1.25 Z5	Carriage Bolt - 3/8-16 x 1 1/4" Grade 5 Zinc	
15	7	CB 5/16-18 X0.75 Z5	Carriage Bolt - 5/16-18 x 3/4" Grade 5 Zinc	
16	1	CP 18X1	Pin, Cotter - 1/8" X 1.0"	
17	10	FW 1/4	Flatwasher - 1/4" Zinc Plated USS	
18	4	FW 3/8	Flatwasher - 3/8" Zinc Plated USS	
19	8	FW 5/16	Flatwasher - 5/16" Zinc Plated USS	
20	6	HB 1/4-20X0.75 Z5	Hex Bolt 1/4-20x3/4 Grade 5 Zinc Plated Hex Cap Screw	
21	2	HB 1/4-20X1 Z5	Hex Bolt 1/4-20x1 Grade 5 Zinc Plated Hex Cap Screw	
22	2	HB 1/4-20X2.5 Z5	Hex Bolt 1/4-20x2 1/2 Grade 5 Zinc Plated Hex Cap Screw	
23	1	HB 3/8-16X0.75 Z5	Hex Bolt 3/8-16x3/4 Grade 5 Zinc Plated Hex Cap Screw	
24	2	HB 3/8-16X1 Z5	Hex Bolt 3/8-16x1 Grade 5 Zinc Plated Hex Cap Screw	
25	3	HB 3/8-16X2.5 Z5	Hex Bolt 3/8-16x2 1/2 Grade 5 Zinc Plated Hex Cap Screw	
26	2	HB 5/16-18X0.75 Z5	Hex Bolt 5/16-18x3/4 Grade 5 Zinc Plated Hex Cap Screw	
27	1	HNP 3/8	Panel Nut - 3/8" U-Type Spring	
28	3	LN 1/2 N	LN 1/2-13 Zinc Plated Nylon Insert Lock Nut	
29	16	LN 1/4 N	LN 1/4-20 Zinc Plated Nylon Insert Lock Nut	
30	12	LN 3/8 N	LN 3/8-16 Zinc Plated Nylon Insert Lock Nut	
31	9	LN 5/16 N	LN 5/16-18 Zinc Plated Nylon Insert Lock Nut	
32	12	LN 10-24	K-Lok Locknut	
33	12	MS #10X24X1.5	Machine Screw - (Inch)	
34	3	TL5X2-100-104	Switch Adjuster Screw	
35	3	TL550-100-060	Limit Switch	

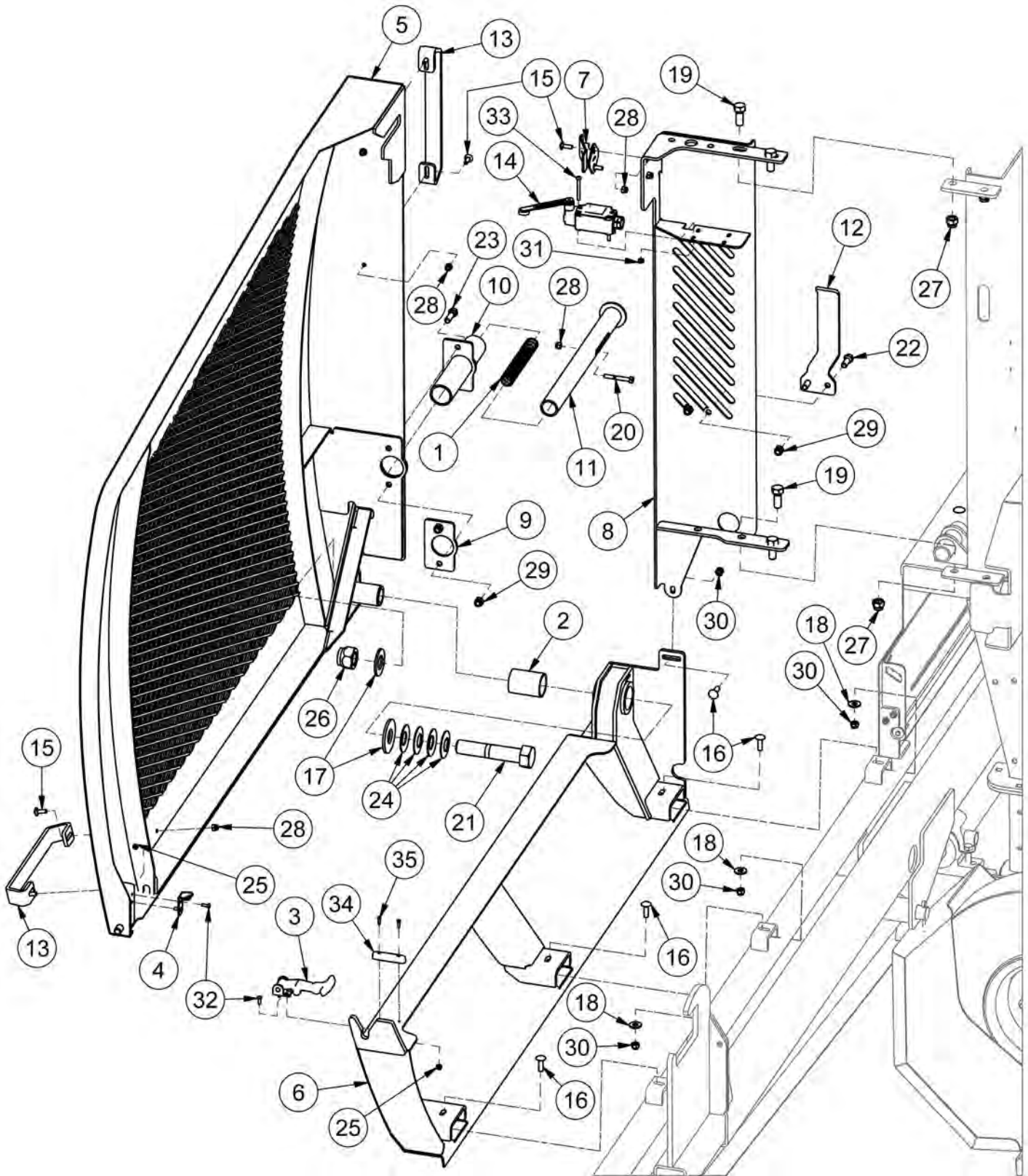
Right Hoop Brace



Right Hoop Brace

ITEM	QTY	PART NUMBER	DESCRIPTION	S/N BREAK
1	1	36268	Cam Lock	
2	1	43357	Right Side Shield	
3	1	43573	Oil Cap Access Lid	
4	1	43311	Right Hoop Brace	Up to 1950L190
5	1	45694	Right Hoop Brace	2050L001-Current
6	1	45695	Right Hoop Brace Support	2050L001-Current
7	3	CB 1/2-13 X1.5 Z5	Carriage Bolt - 1/2-13 x 1 1/2" Grade 5 Zinc	
8	7	CB 3/8-16 X1.25 Z5	Carriage Bolt - 3/8-16 x 1 1/4" Grade 5 Zinc	
9	7	CB 5/16-18 X0.75 Z5	Carriage Bolt - 5/16-18 x 3/4" Grade 5 Zinc	
10	4	FW 3/8	Flatwasher - 3/8" Zinc Plated USS	
11	7	FW 5/16	Flatwasher - 5/16" Zinc Plated USS	
12	6	HB 1/4-20X0.75 Z5	Hex Bolt 1/4-20x3/4 Grade 5 Zinc Plated Hex Cap Screw	
13	1	HB 3/8-16X0.75 Z5	Hex Bolt 3/8-16x3/4 Grade 5 Zinc Plated Hex Cap Screw	
14	1	HNP 3/8	Panel Nut - 3/8" U-Type Spring	
15	4	LN 1/2 N	LN 1/2-13 Zinc Plated Nylon Insert Lock Nut	
16	6	LN 1/4 N	LN 1/4-20 Zinc Plated Nylon Insert Lock Nut	
17	7	LN 3/8 N	LN 3/8-16 Zinc Plated Nylon Insert Lock Nut	
18	7	LN 5/16 N	LN 5/16-18 Zinc Plated Nylon Insert Lock Nut	
19	2	TL5X2-201-111	Operator's Manual Holder	

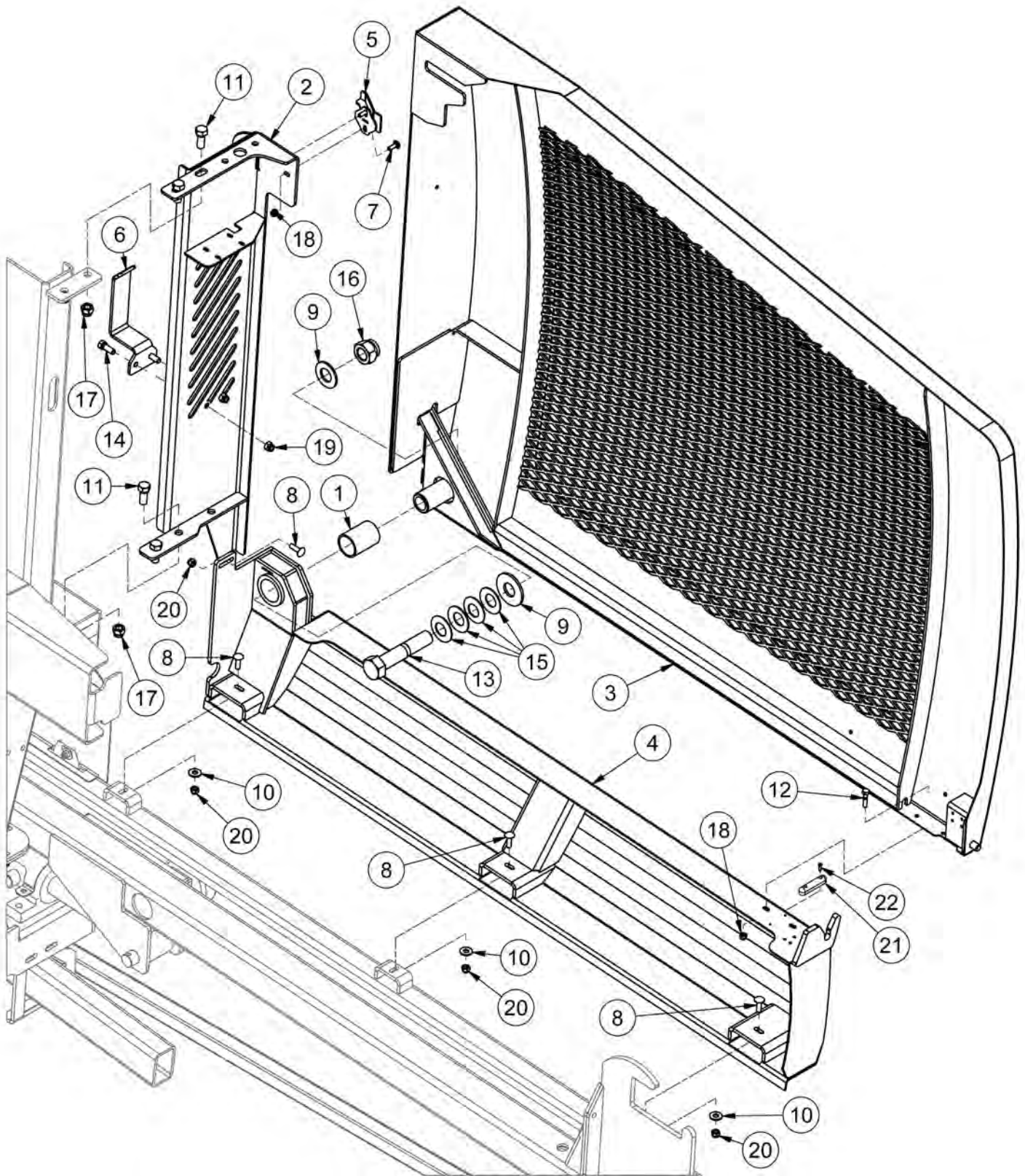
Safety Guard



Safety Guard

ITEM	QTY	PART NUMBER	DESCRIPTION
1	1	36900	Film Snap Spring
2	1	37845	Polygon 1.75 OD x1.52 ID x2.38 LG
3	1	38048	Battery Cover Hold Down
4	1	38343	Battery Latch
5	1	41685	Left Door
6	1	41692	Left Bottom Door Mount
7	1	43266	Door Hold
8	1	43333	Left Door Mount
9	1	43381	Pipe Support
10	1	43383	Wrap Cut Tube Support
11	1	44352	Cut Push Tube
12	1	44359	Single Tape Holder
13	2	44858	Door Handle
14	1	45920	Door Limit Switch
15	6	CB 1/4-20 X0.75 Z5	Carriage Bolt - 1/4-20 x 3/4" Grade 5 Zinc
16	4	CB 5/16-18 X1 Z5	Carriage Bolt - 5/16-18 x 1" Grade 5 Zinc
17	1	FW 1.0	Flatwasher - 1" Zinc Plated USS
18	3	FW 5/16	Flatwasher - 5/16" Zinc Plated USS
19	4	HB 1/2-13X1.25 Z5	Hex Bolt 1/2-13x1 1/4 Grade 5 Zinc Plated Hex Cap Screw
20	1	HB 1/4-20X2 Z5	Hex Bolt 1/4-20x2 Grade 5 Zinc Plated Hex Cap Screw
21	1	HB 1-8X5 Z5	Hex Bolt 1-8x5 Grade 5 Zinc Plated Hex Cap Screw
22	2	HB 3/8-16X1 Z5	Hex Bolt 3/8-16x1 Grade 5 Zinc Plated Hex Cap Screw
23	1	HB 3/8-16X1.25 Z5	Hex Bolt 3/8-16x1 1/4 Grade 5 Zinc Plated Hex Cap Screw
24	4	LA-BK-43	2" OD 1" ID H Steel Disc Spring Washer
25	5	LN #8 N	LN 3/16-32 Zinc Plated Nylon Insert Lock Nut
26	1	LN 1 N	LN 1-8 Zinc Plated Nylon Insert Lock Nut
27	4	LN 1/2 N	LN 1/2-13 Zinc Plated Nylon Insert Lock Nut
28	10	LN 1/4 N	LN 1/4-20 Zinc Plated Nylon Insert Lock Nut
29	4	LN 3/8 N	LN 3/8-16 Zinc Plated Nylon Insert Lock Nut
30	1	LN 5/16 N	LN 5/16-18 Zinc Plated Nylon Insert Lock Nut
31	4	LN 10-24	K-Lok Locknut
32	5	MS #8X32X0.5	Machine Screw - (Inch)
33	4	MS #10X24X1.75	Machine Screw - (Inch)
34	1	PP00685	Rubber Stop
35	2	PP-00686	Wood Screw,#6 x5/8" Roberts end

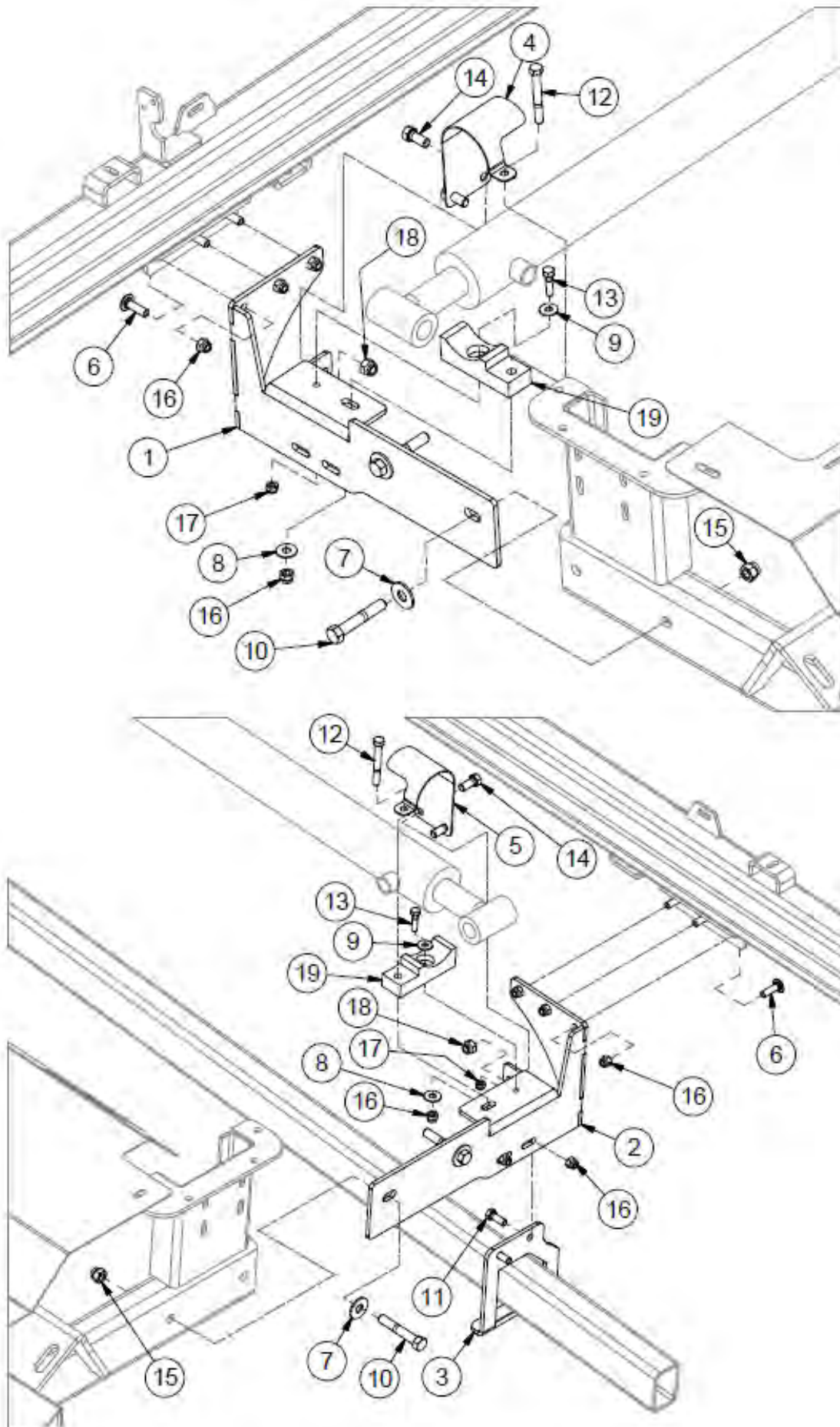
Maintenance Guard



Maintenance Guard

ITEM	QTY	PART NUMBER	DESCRIPTION
1	1	37845	Polygon 1.75 OD x1.52 ID x2.38 LG
2	1	42510	Right Door Mount
3	1	43250	Right Door
4	1	43259	Right Bottom Door Mount
5	1	43266	Door Hold
6	1	44359	Single Tape Holder
7	2	CB 1/4-20 X0.75 Z5	Carriage Bolt - 1/4-20 x 3/4" Grade 5 Zinc
8	4	CB 5/16-18 X1 Z5	Carriage Bolt - 5/16-18 x 1" Grade 5 Zinc
9	2	FW 1.0	Flatwasher - 1" Zinc Plated USS
10	3	FW 5/16	Flatwasher - 5/16" Zinc Plated USS
11	4	HB 1/2-13X1.25 Z5	Hex Bolt 1/2-13x1 1/4 Grade 5 Zinc Plated Hex Cap Screw
12	5	HB 1/4-20X1.25 Z5	Hex Bolt 1/4-20x1 1/4 Grade 5 Zinc Plated Hex Cap Screw
13	2	HB 1-8X5 Z5	Hex Bolt 1-8x5 Grade 5 Zinc Plated Hex Cap Screw
14	2	HB 3/8-16X1 Z5	Hex Bolt 3/8-16x1 Grade 5 Zinc Plated Hex Cap Screw
15	4	LA-BK-43	2" OD 1" ID H Steel Disc Spring Washer
16	1	LN 1 N	LN 1-8 Zinc Plated Nylon Insert Lock Nut
17	4	LN 1/2 N	LN 1/2-13 Zinc Plated Nylon Insert Lock Nut
18	7	LN 1/4 N	LN 1/4-20 Zinc Plated Nylon Insert Lock Nut
19	2	LN 3/8 N	LN 3/8-16 Zinc Plated Nylon Insert Lock Nut
20	1	LN 5/16 N	LN 5/16-18 Zinc Plated Nylon Insert Lock Nut
21	1	PP00685	Rubber Stop
22	2	PP-00686	Wood Screw,#6 x5/8" Roberts end

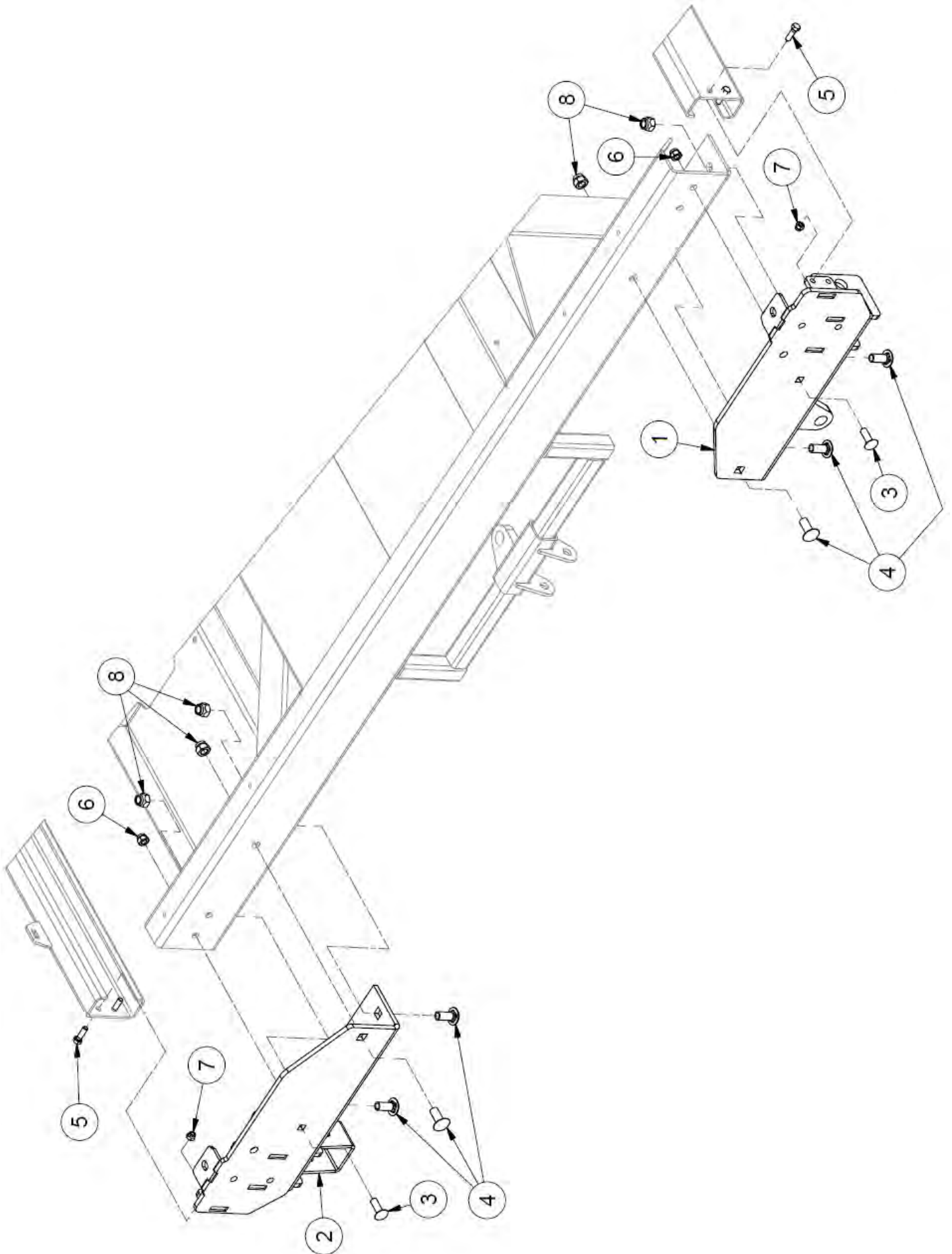
Cylinder Supports



Cylinder Supports

ITEM	QTY	PART NUMBER	DESCRIPTION
1	1	43344	Left Cylinder Mount
2	1	43348	Right Cylinder Mount
3	1	44235	Pushoff Tube Holder
4	1	44369	Left Cylinder Clamp
5	1	44370	Right Cylinder Clamp
6	6	CB 3/8-16 X1.25 Z5	Carriage Bolt - 3/8-16 x 1 1/4" Grade 5 Zinc
7	4	FW 1/2	Flatwasher - 1/2" Zinc Plated USS
8	2	FW 3/8	Flatwasher - 3/8" Zinc Plated USS
9	2	FW 5/16	Flatwasher - 5/16" Zinc Plated USS
10	4	HB 1/2-13X3 Z5	Hex Bolt 1/2-13x3 Grade 5 Zinc Plated Hex Cap Screw
11	2	HB 3/8-16X1 Z5	Hex Bolt 3/8-16x1 Grade 5 Zinc Plated Hex Cap Screw
12	2	HB 3/8-16X3 Z5	Hex Bolt 3/8-16x3 Grade 5 Zinc Plated Hex Cap Screw
13	2	HB 5/16-18X1.25 Z5	Hex Bolt 5/16-18x1 1/4 Grade 5 Zinc Plated Hex Cap Screw
14	4	HB 7/16-14X1 Z5	Hex Bolt 7/16-14x1 Grade 5 Zinc Plated Hex Cap Screw
15	4	LN 1/2 N	LN 1/2-13 Zinc Plated Nylon Insert Lock Nut
16	8	LN 3/8 N	LN 3/8-16 Zinc Plated Nylon Insert Lock Nut
17	2	LN 5/16 N	LN 5/16-18 Zinc Plated Nylon Insert Lock Nut
18	4	LN 7/16 N	LN 7/16-14 Zinc Plated Nylon Insert Lock Nut
19	2	TL550-200-109	Cylinder Support

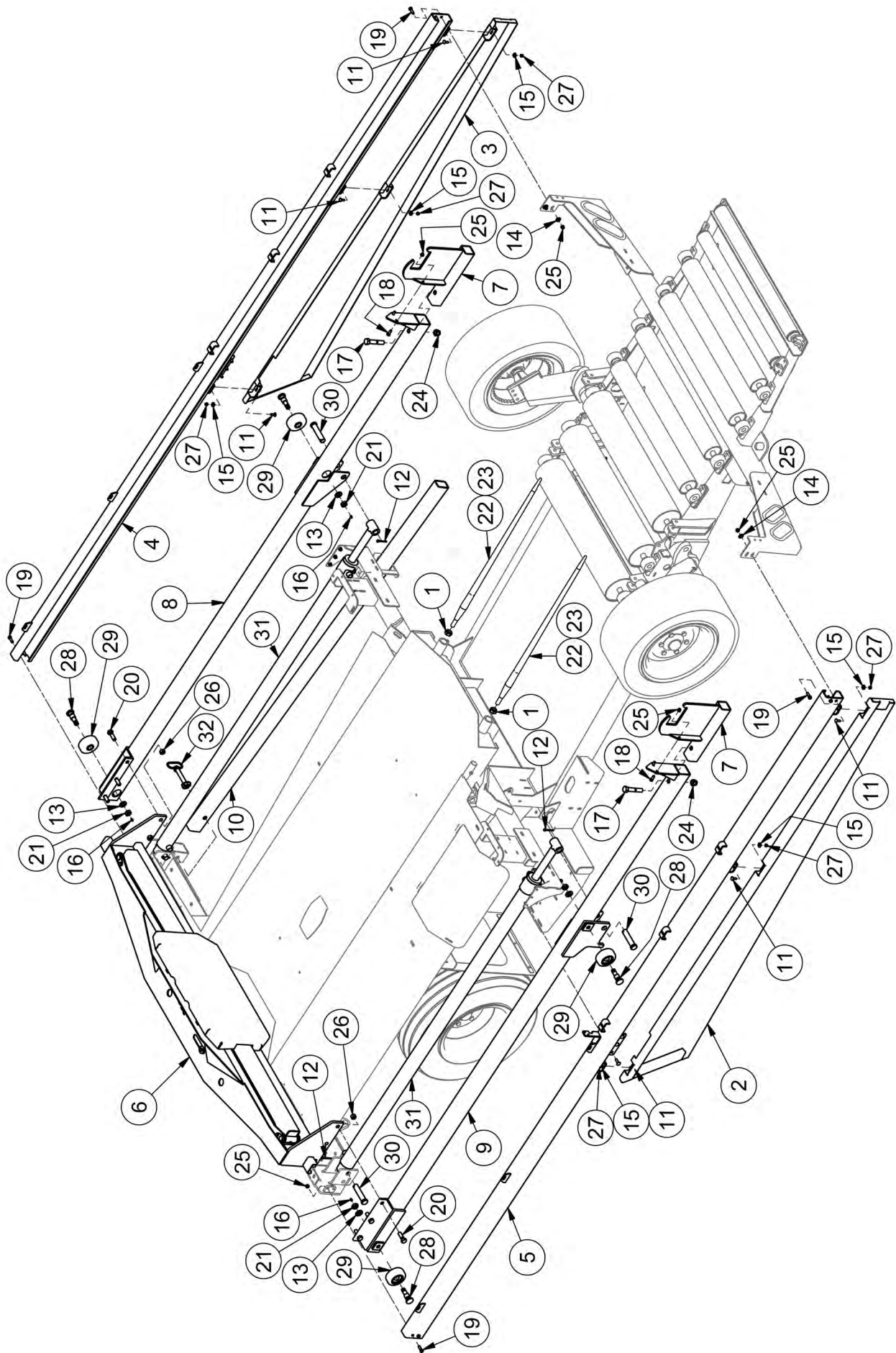
Front Corners



Front Corners

ITEM	QTY	PART NUMBER	DESCRIPTION
1	1	43359	Front Left Corner
2	1	43361	Front Right Corner
3	2	CB 1/2-13 X1.5 Z5	Carriage Bolt - 1/2-13 x 1 1/2" Grade 5 Zinc
4	6	CB 5/8-11 X1.5 Z5	Carriage Bolt - 5/8-11 x 1 1/2" Grade 5 Zinc
5	4	HB 3/8-16X1.25 Z5	Hex Bolt 3/8-16x1 1/4 Grade 5 Zinc Plated Hex Cap Screw
6	2	LN 1/2 N	LN 1/2-13 Zinc Plated Nylon Insert Lock Nut
7	4	LN 3/8 N	LN 3/8-16 Zinc Plated Nylon Insert Lock Nut
8	6	LN 5/8 N	LN 5/8-11 Zinc Plated Nylon Insert Lock Nut

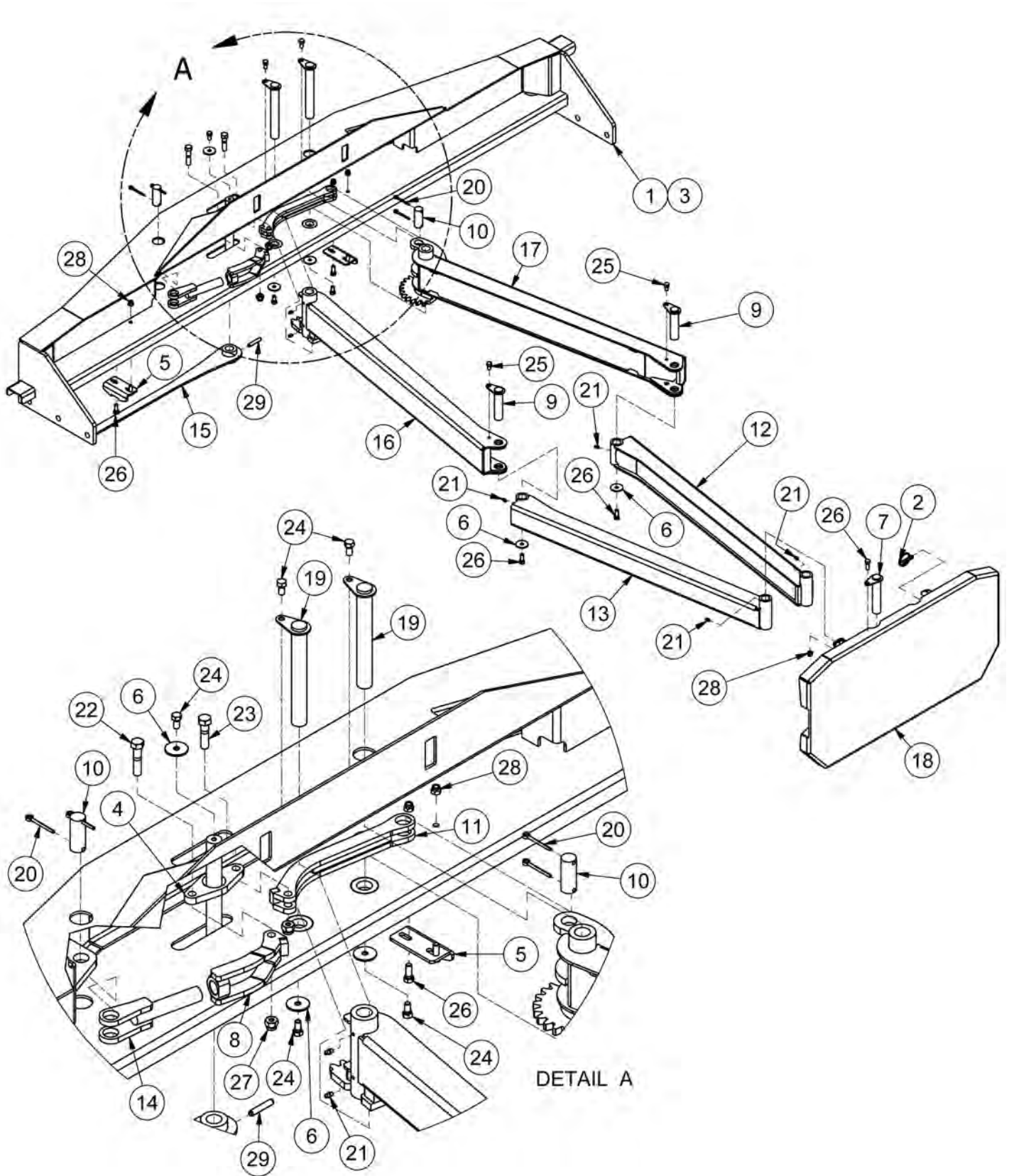
Side Rails



Side Rails

ITEM	QTY	PART NUMBER	DESCRIPTION	S/N BREAK	NOTE
1	2	39510	Conus 1 Bale Spear Nut		
2	1	43338	Left Side Shield		
3	1	43353	Right Side Shield		
4	1	43367	Right Side Rail		
5	1	43368	Left Side Rail		
6	1	44101	TL50 Complete Front Ram		See Pg.1-22
7	2	44154	Basic Pushoff		
8	1	44158	Right Ram Tube		
9	1	44168	Left Ram Tube		
10	1	44229	Pushoff Tube		
11	6	CB5/16-18X1CZ5	Carriage Bolt - 5/16-18 x 1" Grade 5 Zinc		
12	4	CP 3/16 X 2.0	Pin, Cotter - 3/16 x 2.0		
13	4	FW 3/4	Flatwasher - 3/4" Zinc Plated USS		
14	8	FW 3/8	Flatwasher - 3/8" Zinc Plated USS		
15	6	FW 5/16	Flatwasher - 5/16" Zinc Plated USS		
16	4	GR 1/4 X 28	Grease Fitting 1/4-28 Straight-Standard Zerk		
17	2	HB3/4-10X4Z5	Hex Bolt 3/4-10x4 Grade 5 Zinc Plated Hex Cap Screw		
18	4	HB3/8-16X1Z5	Hex Bolt 3/8-16x1 Grade 5 Zinc Plated Hex Cap Screw		
19	8	HB3/8-16X1.25Z5	Hex Bolt 3/8-16x1 1/4 Grade 5 Zinc Plated Hex Cap Screw		
20	6	HB5/8-11X2Z5	Hex Bolt 5/8-11x2 Grade 5 Zinc Plated Hex Cap Screw		
21	4	HNJ3/4-16	Hex Nut - 3/4-16 Zinc Plated Hex Jam Nut		
22	2	LA-MFE43	Bale Spear - 43"	1950L171 - Current	
23	2	LA-MFE35	Bale Spear Cranked Tine 35"	Up to 1950L170	
24	2	LN3/4-10NCZ5	LN 3/4-10 Zinc Plated Nylon Insert Lock Nut		
25	12	LN3/8-16NCZ5	LN 3/8-16 Zinc Plated Nylon Insert Lock Nut		
26	6	LN5/8-11TCZ5	LN5/8-11 Gr.C Zinc Top Lock Nut		
27	6	LN5/16-18NCZ5	LN 5/16-18 Zinc Plated Nylon Insert Lock Nut		
28	4	TL5X2-301-156	Ram Wheel Axle		
29	4	TL5X2-301-157	Ram Wheel		
30	4	TL550-100-042	Ram Cylinder Pin		
31	2	TL550-100-043	Ram Cylinder		
32	1	TL550-100-050	Pushoff Pin		

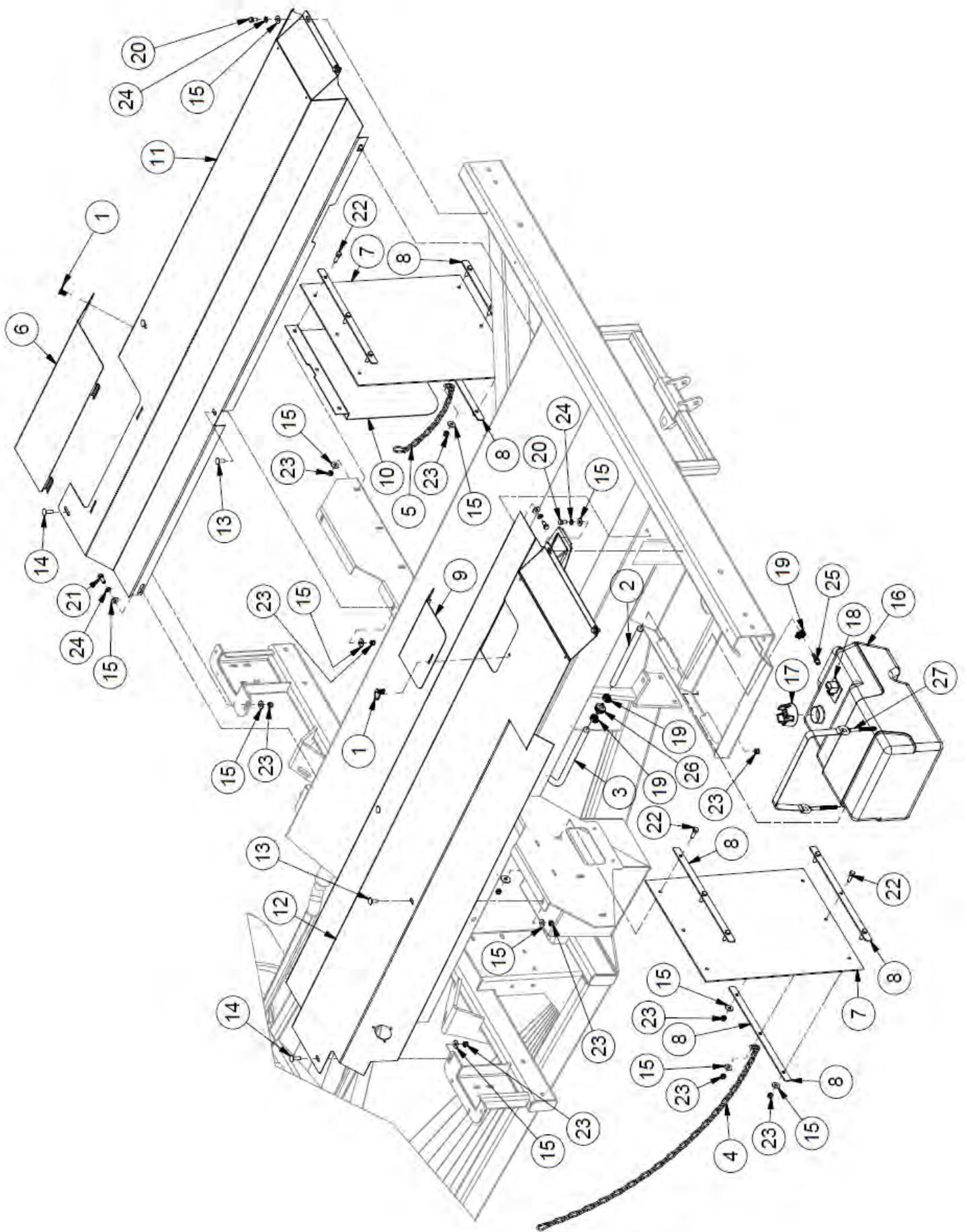
Front Pushoff



Front Pushoff

ITEM	QTY	PART NUMBER	DESCRIPTION	NOTE
1	1	44101	TL50 Complete Front Ram	Incl. All Items
2	2	28940	Lynch Pin - 3/8 X 1-3/4"	
3	1	43706	Offset Tensioner Ram	
4	1	44102	Linkage Pivot	
5	2	44103	Handle Holder	
6	5	44104	Pin Washer	
7	2	44105	Last Pushoff Plate Pin	
8	1	44107	Pivot Adjuster	
9	2	44108	Arm Joint Pin	
10	2	44109	Ram Linkage Mount Pin	
11	1	44110	Solid Pivot Arm	
12	1	44112	Right Small Arm	
13	1	44113	Left Small Arm	
14	1	44114	Linkage Adjuster	
15	1	44115	Last Pushoff Handle	
16	1	44116	Left Large Arm	
17	1	44117	Right Large Arm	
18	1	44118	Push Plate	
19	2	49312	Pushoff Middle Pin	
20	4	CP 3/16 X 2	Pin, Cotter - 3/16 x 2.0	
21	8	GR 1/4 X 28	Grease Fitting 1/4-28 Straight-Standard Zerk	
22	1	HB1/2-13X2.25Z5	Hex Bolt 1/2-13x2 1/4 Grade 5 Zinc Plated Hex Cap Screw	
23	1	HB1/2-13X2Z5	Hex Bolt 1/2-13x2 Grade 5 Zinc Plated Hex Cap Screw	
24	5	HB3/8-16X0.75Z5	Hex Bolt 3/8-16x3/4 Grade 5 Zinc Plated Hex Cap Screw	
25	2	HB3/8-16X0.625Z5	Hex Bolt 3/8-16x5/8 Grade 5 Zinc Plated Hex Cap Screw	
26	8	HB3/8-16X1Z5	Hex Bolt 3/8-16x1 Grade 5 Zinc Plated Hex Cap Screw	
27	2	LN1/2-13NCZ5	LN 1/2-13 Zinc Plated Nylon Insert Lock Nut	
28	6	LN3/8-16NCZ5	LN 3/8-16 Zinc Plated Nylon Insert Lock Nut	
29	1	RP 3/8 x 2	Pin - Roll Pin 3/8 x 2	

Bale Deck



Bale Deck

ITEM	QTY	PART NUMBER	DESCRIPTION
1	2	36268	Cam Lock
2	1	40956	Short Fuel Line
3	1	40957	Long Fuel Line
4	1	40958	Right Mud Flap Chain
5	1	40959	Left Mud Flap Chain
6	1	44222	Heat Shield
7	2	44231	Mud Flap
8	6	44232	Metal Strip Mud Flap
9	1	44233	Fuel Cap Cover
10	1	44234	Mud Flap Shield
11	1	44364	Left Side Fender
12	1	44366	Right Side Fender
13	4	CB 3/8-16 X1 Z5	Carriage Bolt - 3/8-16 x 1" Grade 5 Zinc
14	14	CB 3/8-16 X1.25 Z5	Carriage Bolt - 3/8-16 x 1 1/4" Grade 5 Zinc
15	48	FW 3/8	Flatwasher - 3/8" Zinc Plated USS
16	1	TL550-204-100	Fuel Tank
17	1	TL550-204-101	Vented Cap for Fuel Tank
18	1	TL550-204-103	Fuel Gauge - Bale Wrapper
19	3	GC 4	Gear Clamp #4 .25 to .625"
20	10	HB 3/8-16X0.75 Z5	Hex Bolt 3/8-16x3/4 Grade 5 Zinc Plated Hex Cap Screw
21	19	HB 3/8-16X1 Z5	Hex Bolt 3/8-16x1 Grade 5 Zinc Plated Hex Cap Screw
22	26	HB 3/8-16X1.25 Z5	Hex Bolt 3/8-16x1 1/4 Grade 5 Zinc Plated Hex Cap Screw
23	69	LN 3/8 N	LN 3/8-16 Zinc Plated Nylon Insert Lock Nut
24	8	LW 3/8	LW - 3/8" Zinc Plated Medium Split
25	1	TL5X2-201-108	1/4 Barb x 1/4 NPT Fitting
26	1	TL550-200-111	Fuel Filter
27	1	TL550-204-110	Tie Down Strap (Fuel Tank)

Table Trigger

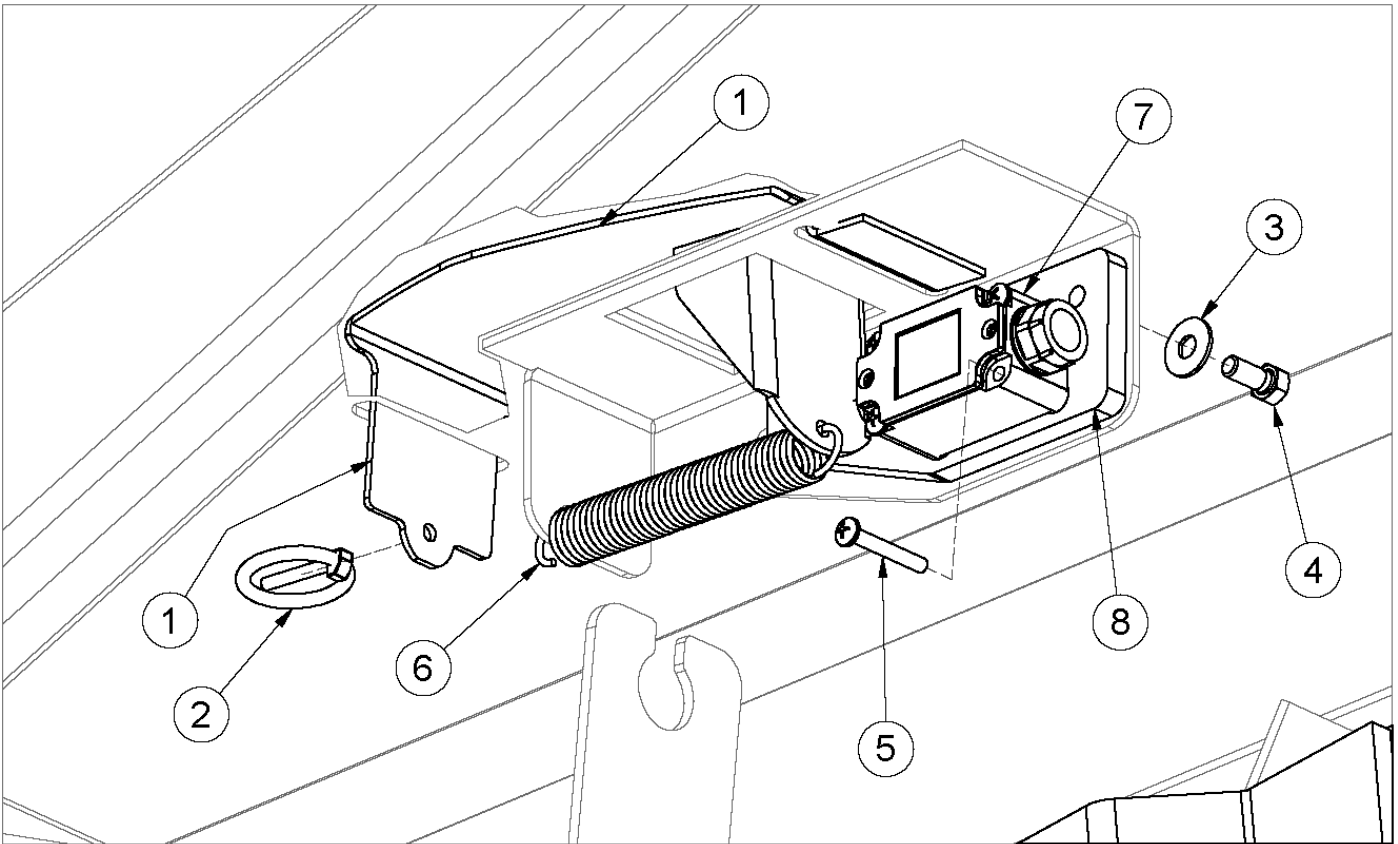
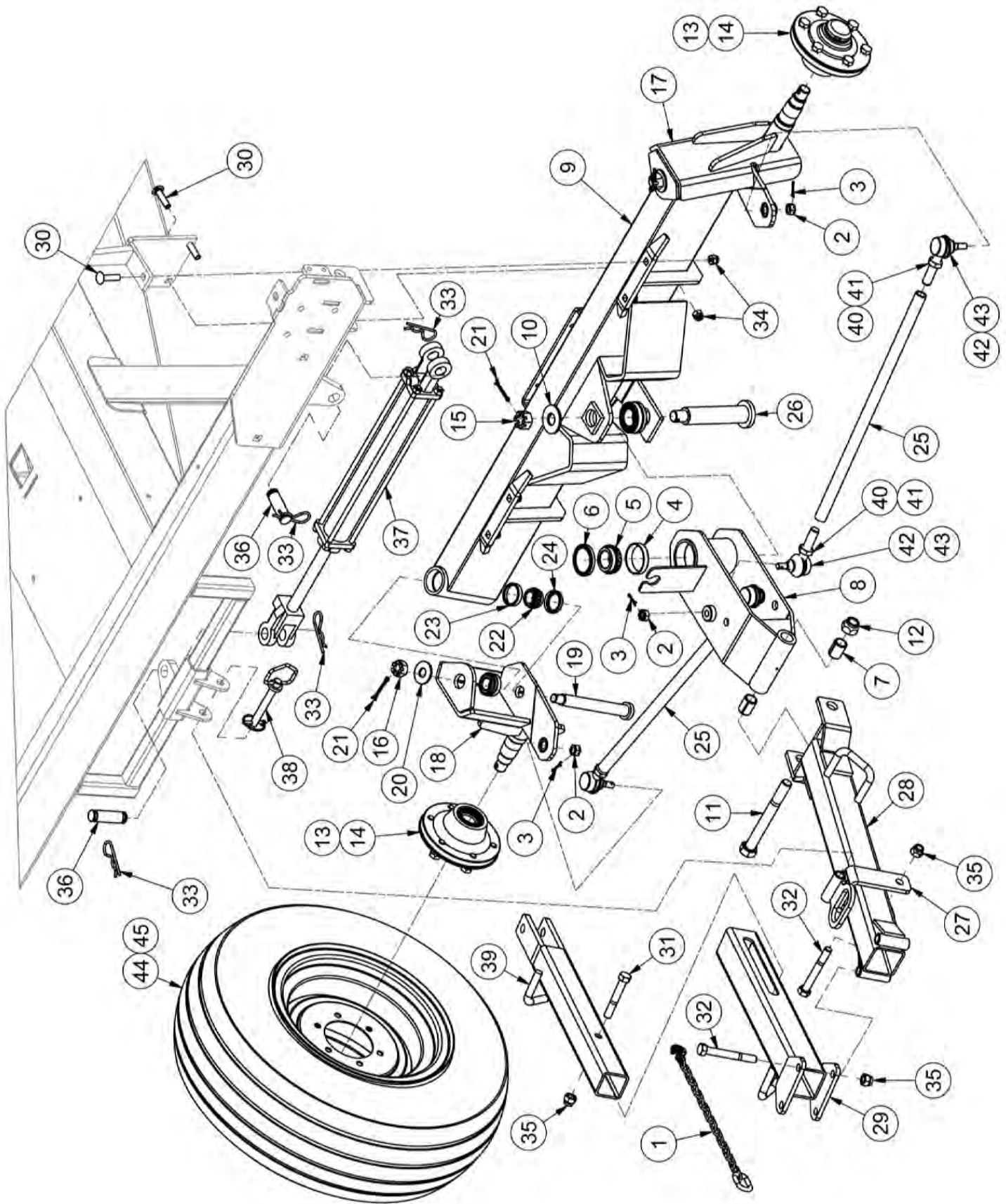


Table Trigger

ITEM	QTY	PART NUMBER	DESCRIPTION
1	1	44900	Trigger Plate
2	1	25680	Lynch Pin 3/16 x 1.5
3	2	FW 5/16	Flatwasher - 5/16" Zinc Plated USS
4	2	HB 5/16-18X 3/4 Z5	Hex Bolt - 5/16"-18 x 3/4" Grade 5 Zinc Plated Hex Cap Screw N.C.
5	4	MS 10X1 1/2	Machine Screw 10-24x1-1/2
6	1	TL550-100-069	Throttle Spring
7	1	TL5X2-100-221	Switch
8	1	TL5X2-500-153	Table Switch Mount Plate

Steering

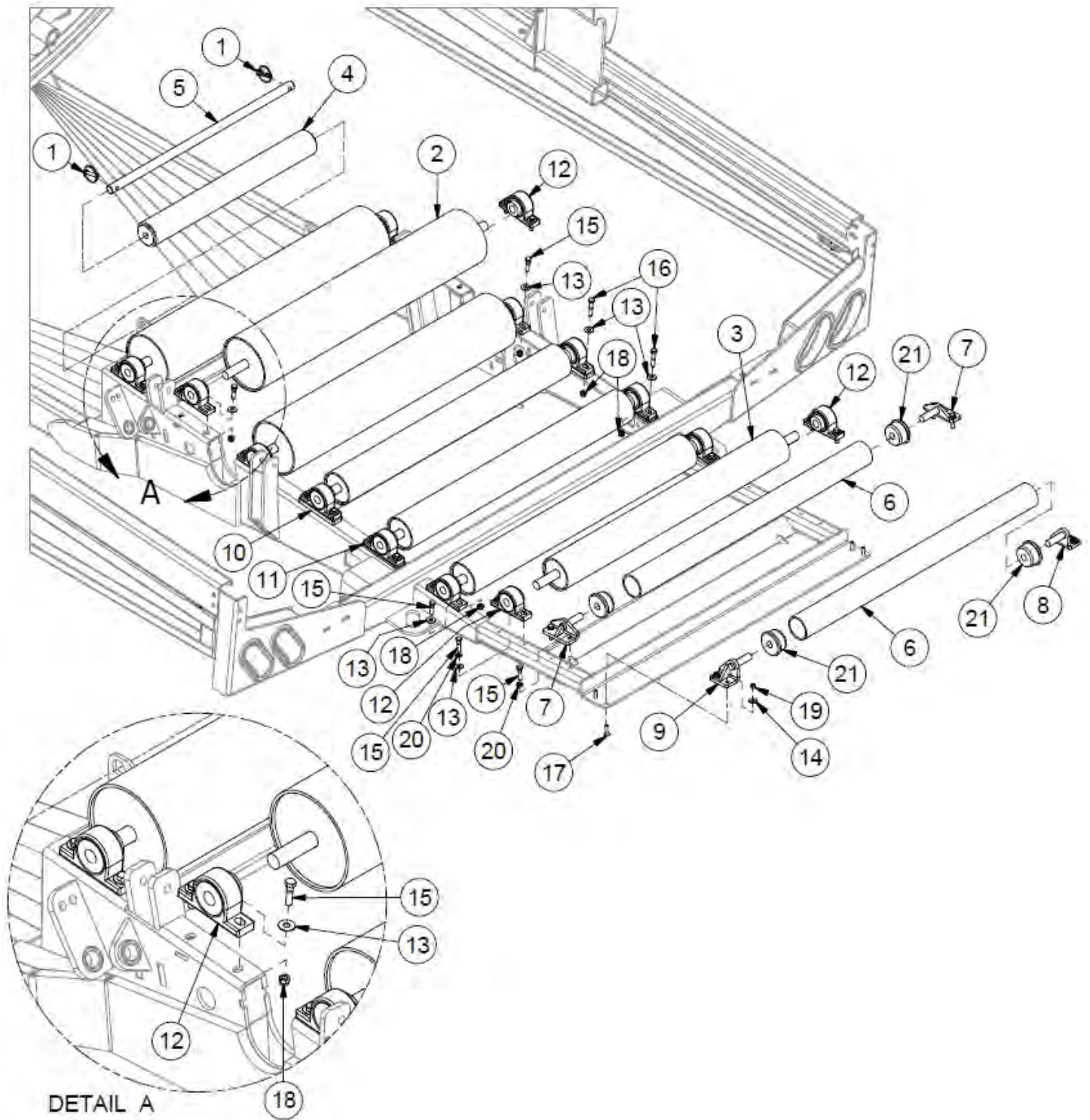


*When ordering tie rod ends check if you need a left hand or right hand thread. Tie rods require both a left and right hand thread.

Steering

ITEM	QTY	PART NUMBER	DESCRIPTION	NOTE
1	1	25261	Safety Chain 10000 # 59"	
2	1	TL550-111-004	Hex Nut, Slotted 9/16" NF	
3	1	TL550-111-005	Cotter Pin, 1/8 x 1	
4	2	TL550-111-009	Tongue Bracket Timkin Cup	
5	2	TL550-111-010	Tongue Bracket Timkin Cone	
6	2	TL550-111-011	Tongue Bracket Seal	
7	2	TL550-111-012	Tongue Bracket Bushing	
8	1	TL550-221-008	Tongue Bracket	
9	1	41971	Front Axle Weldment	
10	1	FW 1.0	Flatwasher - 1" Zinc Plated USS	
11	1	HB7/8-9X8Z5	Hex Bolt 7/8-9x8 Grade 5 Zinc Plated Hex Cap Screw	
12	1	LN7/8-9NCZ5	LN 7/8-9 Zinc Plated Nylon Insert Lock Nut	
13	2	HUB 4000-CCS	Complete Bearing and Seals for Hub 4000	
14	2	HUB 4000#	Complete Assembly Hub 4000	
15	1	TL500-100-070	Hex Nut, Slotted 1"	
16	2	TL550-111-015-06	Slotted Hex Nut 3/4	
17	1	TL550-100-083	Front Left Spindle Assembly	
18	1	TL550-100-084	Front Right Spindle Assembly	
19	2	TL550-100-085	Spindle Pin	
20	2	TL550-111-014	Flat Washer, 13/16	
21	3	TL550-111-016	Cotter Pin, 3/16 x 2	
22	4	TL550-200-080	Spindle Bearing Timkin Cone	
23	4	TL550-200-081	Spindle Bearing Timkin Cup	
24	4	TL550-200-082	Spindle Bearing Seal	
25	2	TL550-220-001	Tie Rod	
26	1	TL550-221-013	Tongue Bracket Pin	
27	1	44170	Tongue Holder	
28	1	TL550-100-051	Upper Tongue Assembly	
29	1	TL550-100-052	Tongue Swinging End	
30	8	CB1/2-13X2CZ5	Carriage Bolt - 1/2-13 x 2" Grade 5 Zinc	
31	1	HB 5/8-11X4 Z5	Hex Bolt 5/8-11x4 Grade 5 Zinc Plated Hex Cap Screw	
32	2	HB5/8-11X5Z5	Hex Bolt 5/8-11x5 Grade 5 Zinc Plated Hex Cap Screw	
33	4	HP 5/32 X 3.0	Pin Hair - #9 9Ga 3-1/16" OAL Zinc Plated	
34	8	LN1/2-13NCZ5	LN 1/2-13 Zinc Plated Nylon Insert Lock Nut	
35	3	LN5/8-11NCZ5	LN 5/8-11 Zinc Plated Nylon Insert Lock Nut	
36	6	TL5X2-500-116	Cylinder Pin	
37	1	TL500-100-103	Hydraulic Cylinder, 2 x 16	
38	1	TL500-100-154	Tongue Pin	
39	1	TL550-100-053	Sliding Tongue	
40	2	TL550-111-002*	Jam Nut, 3/4 (NF LH)	
41	2	TL550-111-003*	Jam Nut, 3/4 (NF RH)	
42	2	TL550-111-006*	Tie Rod End Right Thread	
43	2	TL550-111-007*	Tie Rod End Left Thread	
44	2	WHE 11LX15X8	11L X 15 8 Ply Tubeless Tire	Inc. Item 45
45	1	WHE 1586	Bolt Rim - 15 x 8 x 6	

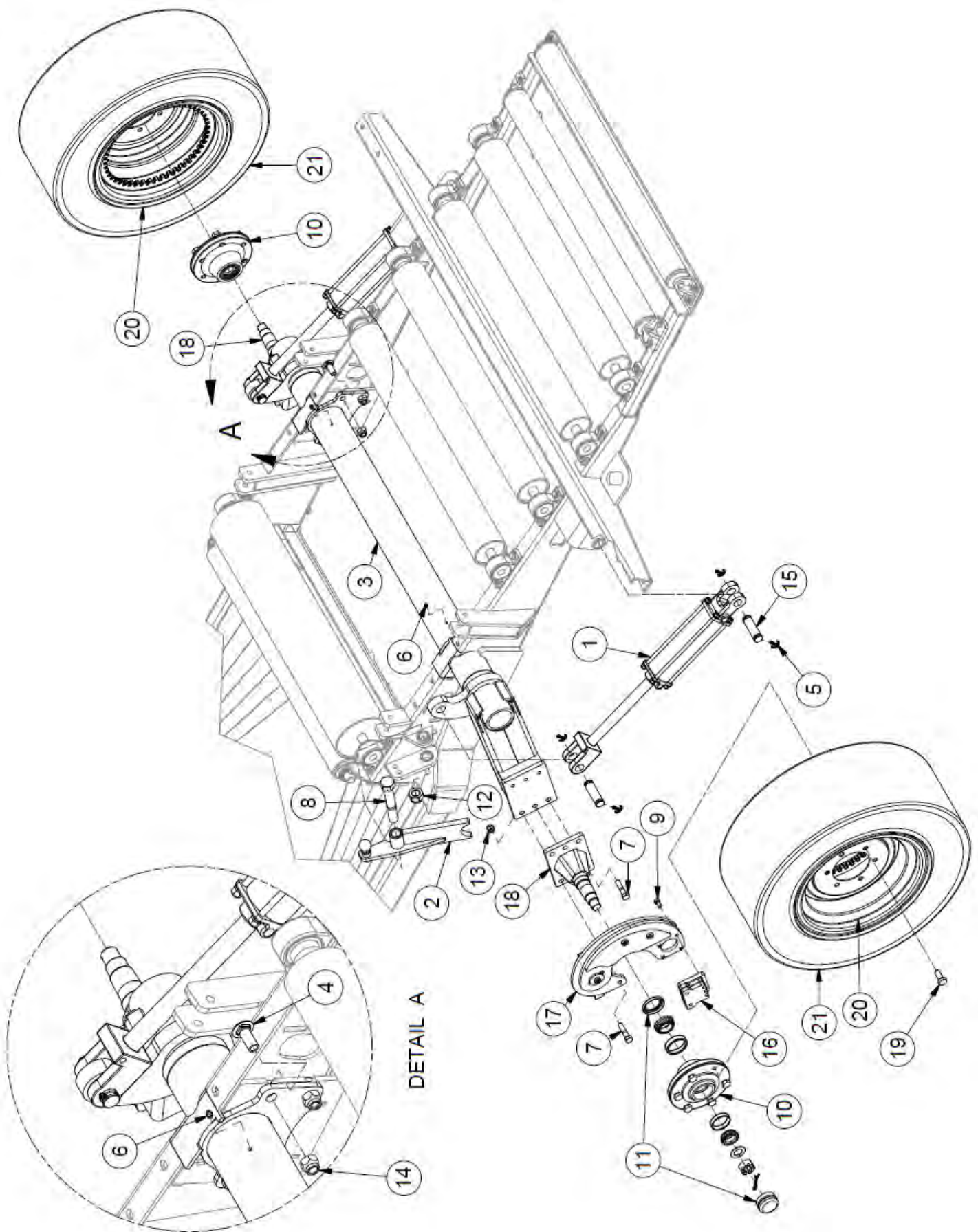
Roller Bed



Roller Bed

ITEM	QTY	PART NUMBER	DESCRIPTION	S/N BREAK
1	2	28940	LP .375 X 1.75	Up to 1950L170
2	3	44181	6 5/8" Roller	
3	4	44186	4" Roller	
4	1	44189	4" Roller	Up to 1950L170
5	1	44192	Roller Shaft	Up to 1950L170
6	2	44193	Roller	
7	2	44194	Small Roller Mount	
8	1	44198	Right Rear Small Roller Mount	
9	1	44200	Left Rear Small Roller Mount	
10	2	44901	Tail Roller Spacer 1/2"	
11	2	44902	Tail Roller Spacer 1/4"	
12	14	BEA P205-16-1	Pillow Block Bearing 1"- BEA SBP205-16-1	
13	28	FW 3/8	Flatwasher - 3/8" Zinc Plated USS	
14	4	FW 5/16	Flatwasher - 5/16" Zinc Plated USS	
15	24	HB 3/8-16X1.5 Z5	Hex Bolt 3/8-16x1 1/2 Grade 5 Zinc Plated Hex Cap Screw	
16	8	HB 3/8-16X2 Z5	Hex Bolt 3/8-16x2 Grade 5 Zinc Plated Hex Cap Screw	
17	4	HB 5/16-18X1.25 FHSCS	Hex Bolt - 5/16"-18 x 1 1/4" Flat Socket Cap Screw	
18	24	LN 3/8 N	LN 3/8-16 Zinc Plated Nylon Insert Lock Nut	
19	4	LN 5/16 N	LN 5/16-18 Zinc Plated Nylon Insert Lock Nut	
20	4	LW 3/8	LW - 3/8" Zinc Plated Medium Split	
21	4	T650RL04	Small Roller Bearing	

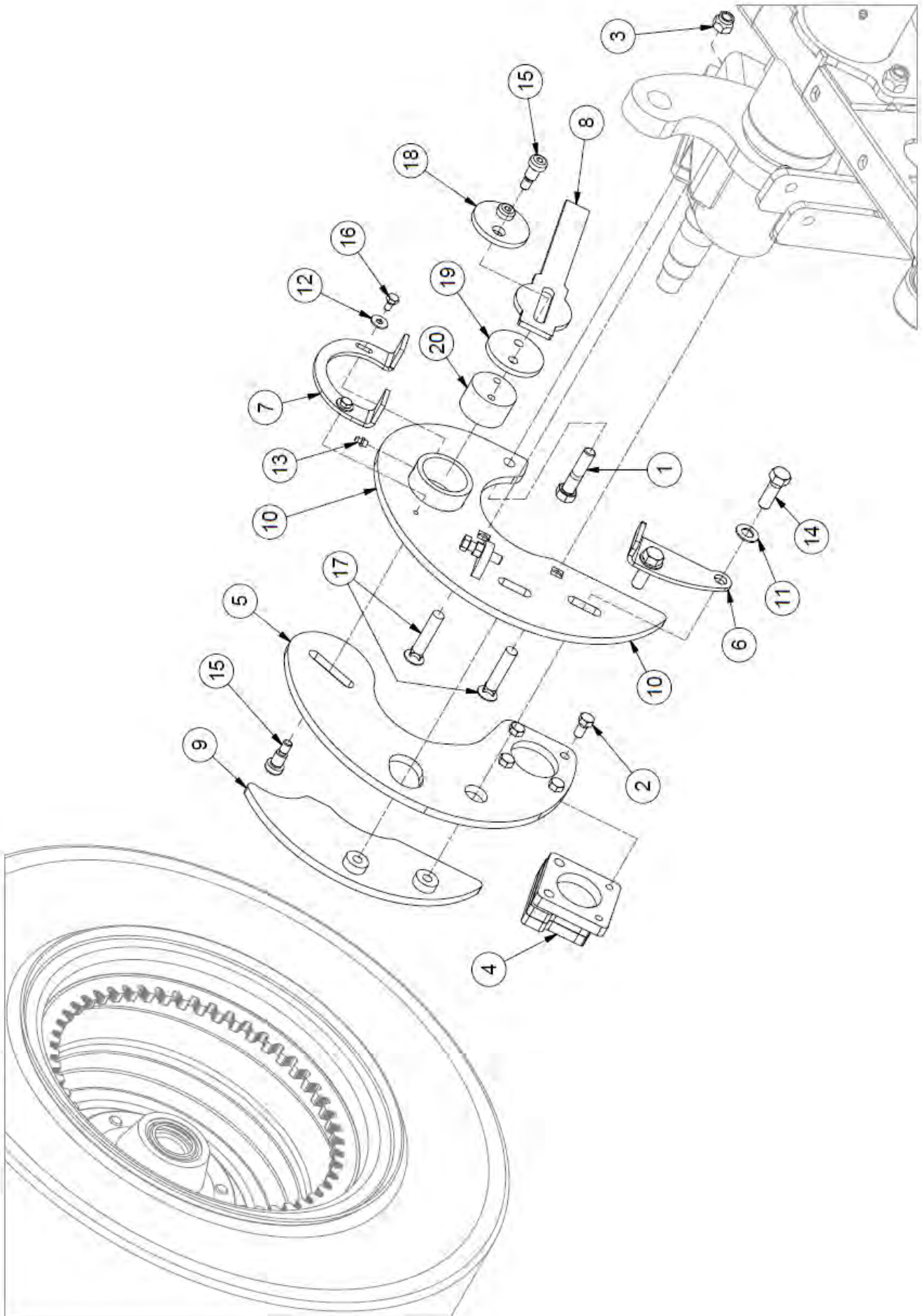
Rear Axle



Rear Axle

ITEM	QTY	PART NUMBER	DESCRIPTION
1	2	36422	Hydraulic Tail Lift Cylinder
2	1	43595	Transport Lock Arm
3	1	44371	TL50 Cam Axle
4	4	CB 5/8-11 X1.5 Z5	Carriage Bolt - 5/8-11 x 1 1/2" Grade 5 Zinc
5	8	CP 3/16 X 1.75	Pin, Cotter 3/16 x 1.75
6	2	GR 1/4 X 28	Grease Fitting 1/4-28 Straight-Standard Zerk
7	3	HB 1/2-13X2.25 Z5	Hex Bolt 1/2-13x2 1/4 Grade 5 Zinc Plated Hex Cap Screw
8	1	HB 1-8X6.5 Z5	Hex Bolt 1-8x6 1/2 Grade 5 Zinc Plated Hex Cap Screw
9	4	HB 3/8-16X0.75 Z5	Hex Bolt 3/8-16x3/4 Grade 5 Zinc Plated Hex Cap Screw
10	2	HUB 4000#	Complete Assembly Hub 4000
11	2	HUB4000-CCS	Complete Bearing and Seal Kit
12	1	LN 1 N	LN 1-8 Zinc Plated Nylon Insert Lock Nut
13	3	LN 1/2 N	LN 1/2-13 Zinc Plated Nylon Insert Lock Nut
14	8	LN 5/8 N	LN 5/8-11 Zinc Plated Nylon Insert Lock Nut
15	4	TL5X2-500-116	Cylinder Pin
16	1	TL109-100-345	Brake Pad
17	1	TL109-100-355	Powerdrive Assembly
18	2	TL109-100-356	Rear Axle Spindle
19	12	TL500-100-072	Wheel Stud - Wheel Bolt 9/16 x 1 3/4
20	2	TL550-200-134	Rim c/w Gear
21	2	WHE 27X10.5-15	27 X 10.5-15 Track Chief 6 Ply (Tire Only)

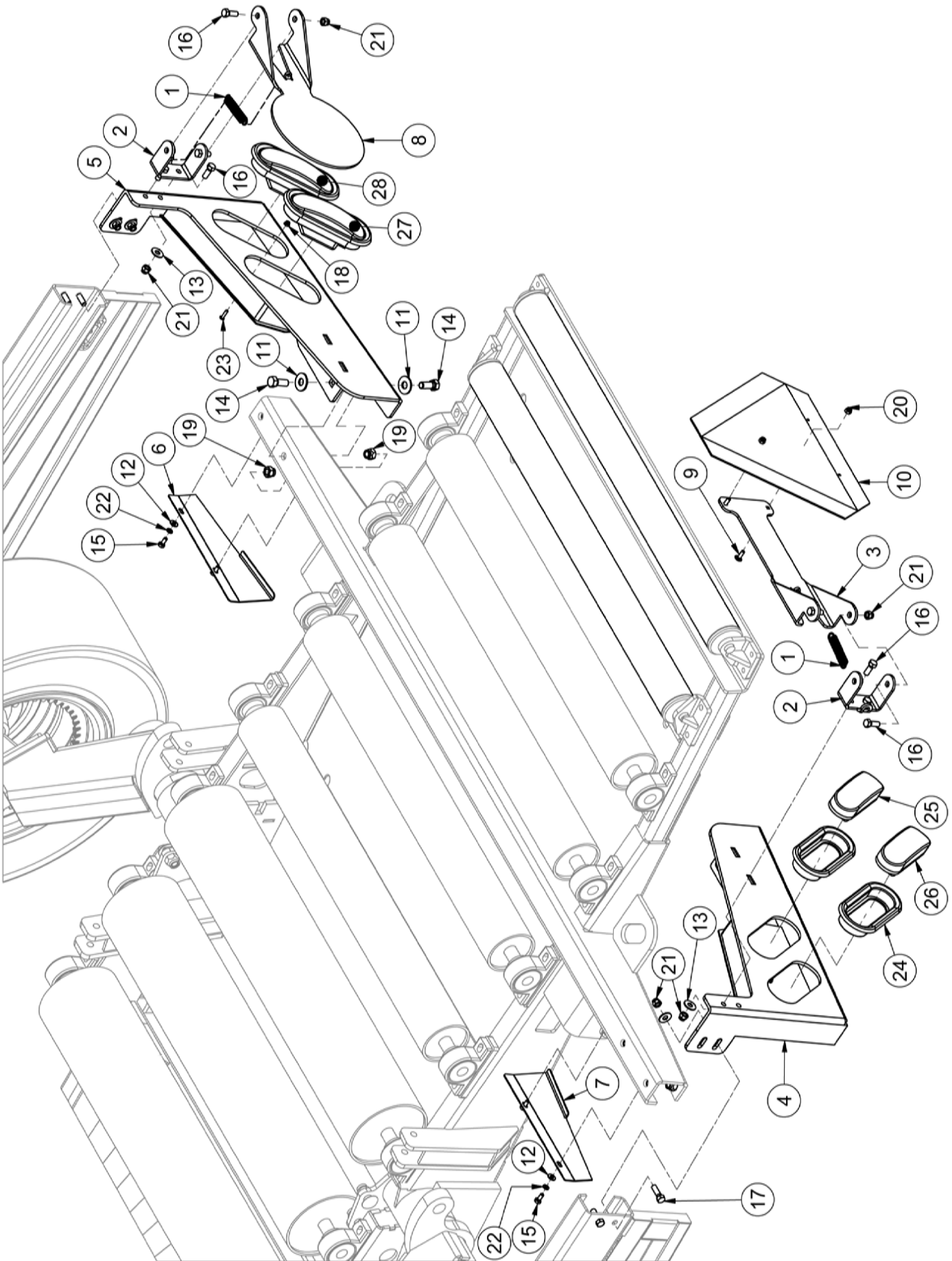
TL109-100-355 - Parking Brake



TL109-100-355 - Parking Brake

ITEM	QTY	PART NUMBER	DESCRIPTION
1	1	HB 1/2-13X2.25 Z5	Hex Bolt 1/2-13x2 1/4 Grade 5 Zinc Plated Hex Cap Screw
2	4	HB 3/8-16X0.75 Z5	Hex Bolt 3/8-16x3/4 Grade 5 Zinc Plated Hex Cap Screw
3	1	LN 1/2 N	LN 1/2-13 Zinc Plated Nylon Insert Lock Nut
4	1	TL109-100-345	Brake Pad
5	1	25116	Drive Engaging Plate
6	1	25119	Outside Plate Guide
7	1	25121	Handle Lock
8	1	25122	Handle
9	1	25123	Bolt-on Plate
10	1	25124	Plate - Power Drive Weldment
11	2	FW 1/2	Flatwasher - 1/2" Zinc Plated USS
12	2	FW 1/4	Flatwasher - 1/4" Zinc Plated USS
13	1	GR 1/4 X 28	Grease Fitting 1/4-28 Straight Standard Zerk
14	2	HB 1/2-13X1.5 Z5	Hex Bolt 1/2-13x1 1/2 Grade 5 Zinc Plated Hex Cap Screw
15	3	HB 1/2X5/8 SS	Socket Head Shoulder Screws - 1/2 Shldr x 5/8 x 3/8-16
16	2	HB 1/4-20X0.5 Z5	Hex Bolt 1/4-20x1/2 Grade 5 Zinc Plated Hex Cap Screw
17	2	PB 1/2-13X2.5	Plow Bolts - 1/2-13 x 2 1/2 Flat Head Gr.5
18	1	WHEEL2012	Outside Handle Washer
19	1	WHEEL20121	Inside Handle Washer
20	1	WHEEL9	Eccentric

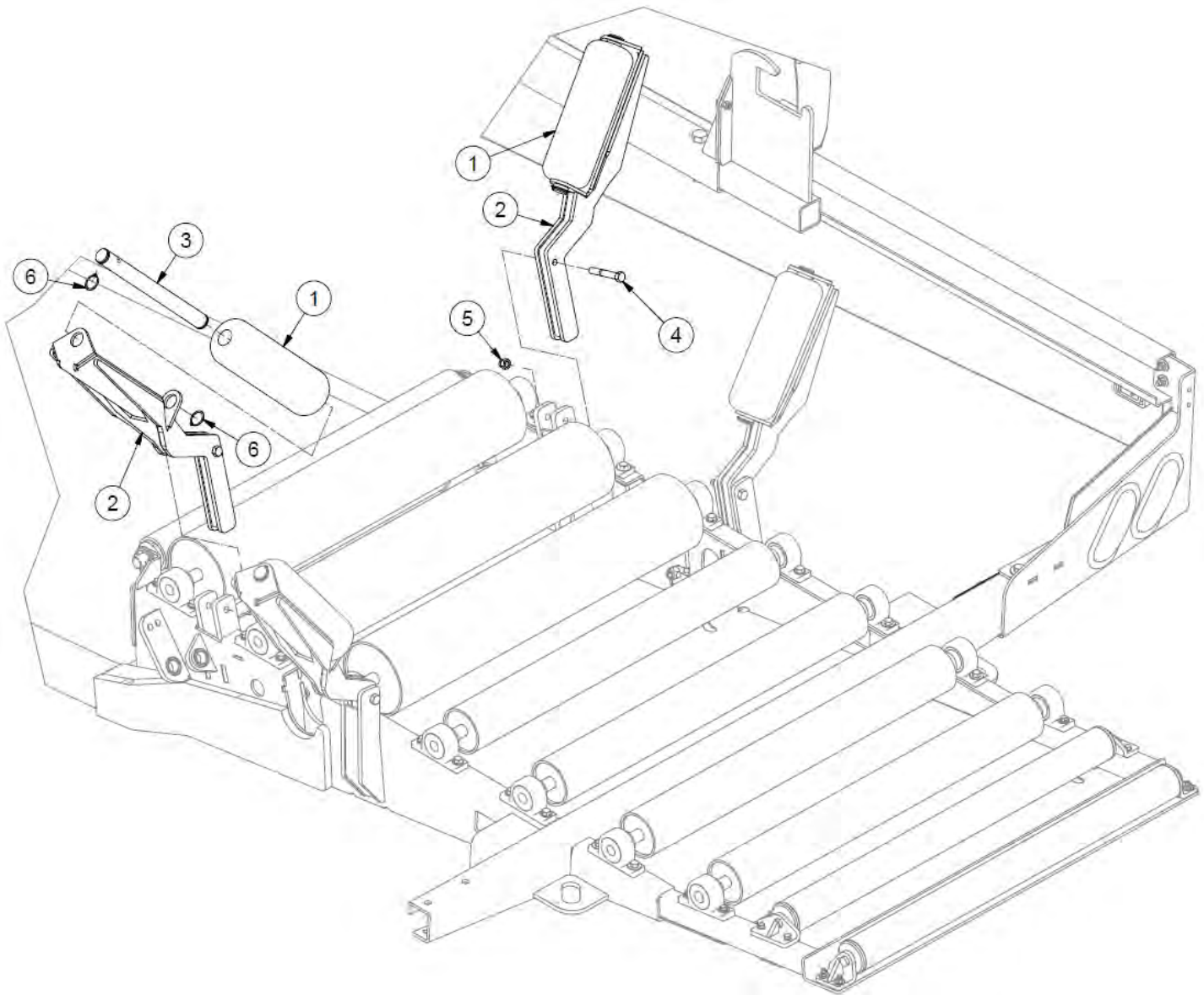
Rear Light Brackets



Rear Light Brackets

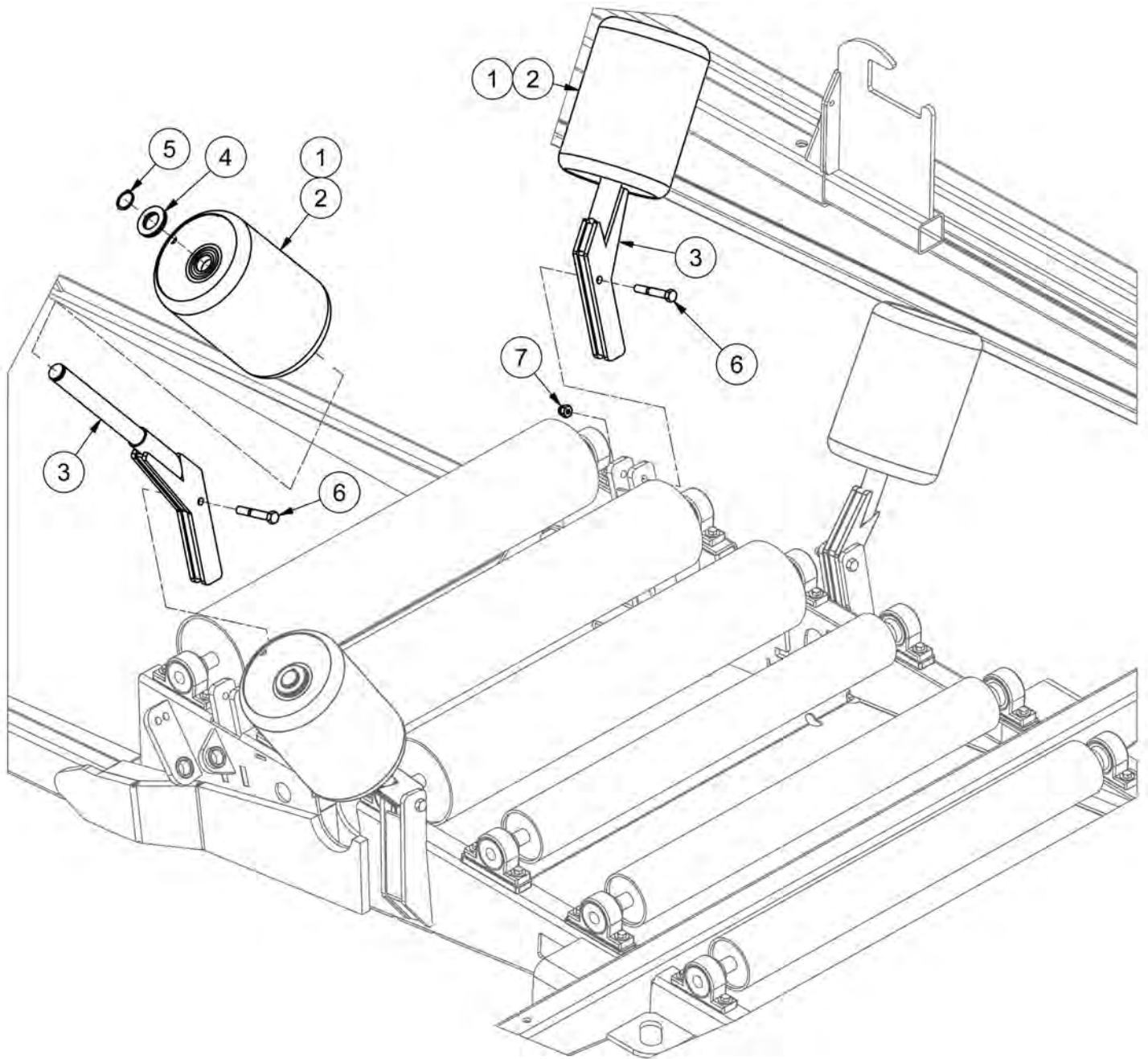
ITEM	QTY	PART NUMBER	DESCRIPTION	NOTE
1	2	28771	SMV Spring	
2	2	44203	SMV Bracket	
3	1	44204	SMV Attachment	
4	1	44205	Left Rear Corner	
5	1	44209	Rear Right Light Mount	
6	1	44367	Right Rear Cross Member Cap	
7	1	44368	Left Rear Cross Member Cap	
8	1	45923	SIS Mount	2050L001-Current
9	2	CB 1/4-20 X0.75 Z5	Carriage Bolt - 1/4-20 x 3/4" Grade 5 Zinc	
10	1	DESMV	Slow Moving Vehicle Sign	
11	8	FW 1/2	Flatwasher - 1/2" Zinc Plated USS	
12	4	FW 1/4	Flatwasher - 1/4" Zinc Plated USS	
13	4	FW 3/8	Flatwasher - 3/8" Zinc Plated USS	
14	8	HB 1/2-13X1.25 Z5	Hex Bolt 1/2-13x1 1/4 Grade 5 Zinc Plated Hex Cap Screw	
15	4	HB 1/4-20X0.625 Z5	Hex Bolt 1/4-20x5/8 Grade 5 Zinc Plated Hex Cap Screw	
16	4	HB 3/8-16X1 Z5	Hex Bolt 3/8-16x1 Grade 5 Zinc Plated Hex Cap Screw	
17	4	HB 3/8-16X1.25 Z5	Hex Bolt 3/8-16x1 1/4 Grade 5 Zinc Plated Hex Cap Screw	
18	2	LN #10 N	LN 3/16-24 Zinc Plated Nylon Insert Lock Nut	
19	8	LN 1/2 N	LN 1/2-13 Zinc Plated Nylon Insert Lock Nut	
20	2	LN 1/4 N	LN 1/4-20 Zinc Plated Nylon Insert Lock Nut	
21	8	LN 3/8 N	LN 3/8-16 Zinc Plated Nylon Insert Lock Nut	
22	4	LW 1/4	LW - 1/4" Zinc Plated Medium Split	
23	2	MS #10X24X0.75	Machine Screw - (Inch)	
24	4	TL5X2-500-136	Light Grommet	
25	2	TL5X2-500-137	Red Brake Light	
26	2	TL5X2-500-138	Amber Brake Light	
27	2	TL5X2-500-140	Red Light Kit	Items 24 & 25
28	2	TL5X2-500-141	Amber Light Kit	Items 25 & 26

Standard Guide Rollers - TLGR50 - Up to SN 2050L172



ITEM	QTY	PART NUMBER	DESCRIPTION
1	2	43631	Guide Roller
2	2	43723	Guide Roller Mount
3	2	43808	Guide Roller Shaft
4	2	HB 1/2-13X3.25 Z5	Hex Bolt 1/2-13x3 1/4 Grade 5 Zinc Plated Hex Cap Screw
5	2	LN 1/2 N	LN 1/2-13 Zinc Plated Nylon Insert Lock Nut
6	4	RR 1.188	Retaining Ring-1 3/16- External

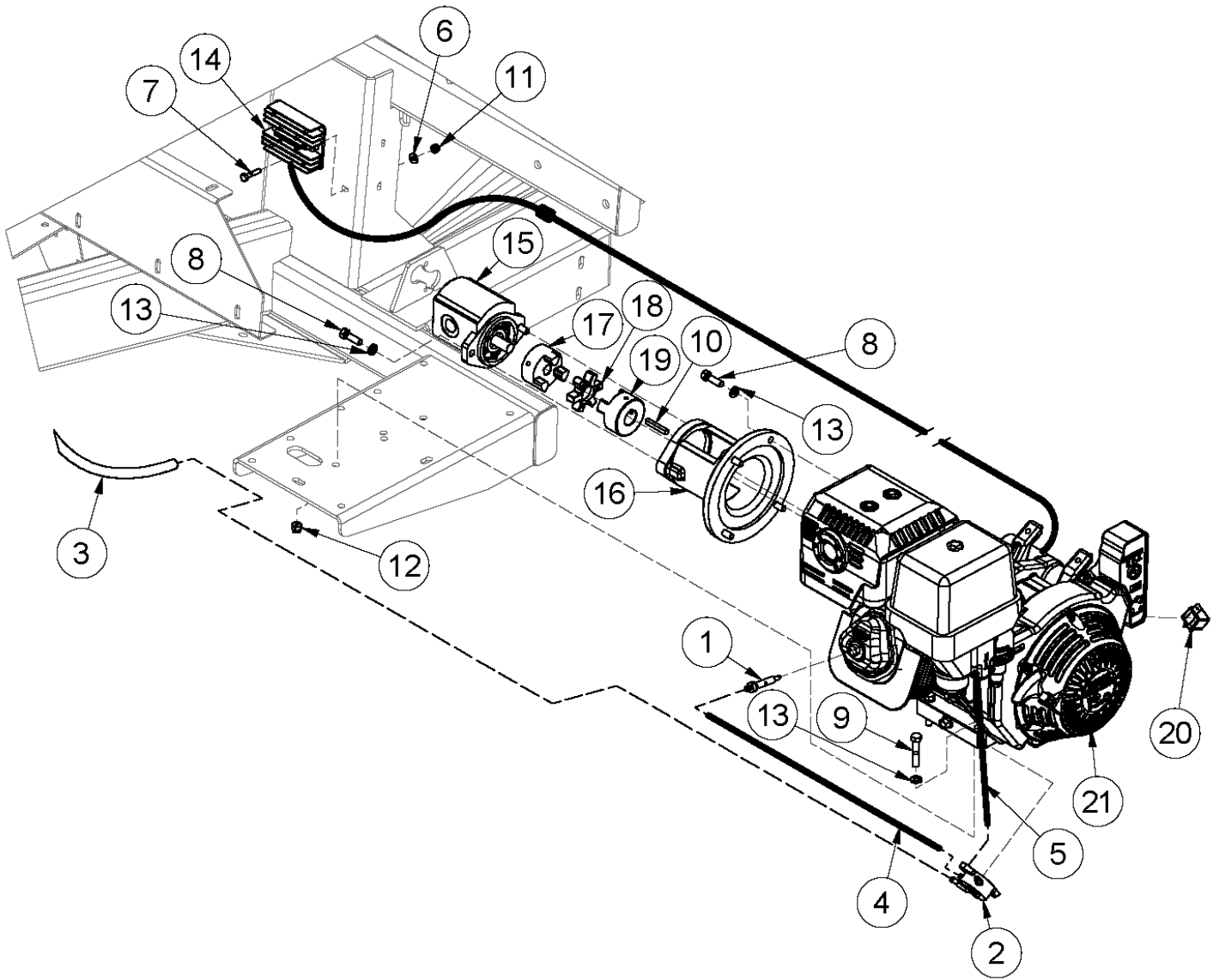
Standard Guide Rollers - 48001 - SN 2150L001 to Current



ITEM	QTY	PART NUMBER	DESCRIPTION	NOTE
1	2	46943	Complete Guide Roller Asm	Incl. Items 2-5
2	1	46693	TL50 Steel Bobbin w/Bearings	
3	1	46944	Front Guide Roller Mount	
4	2	FW 1.1/4	Flatwasher - 1 1/4" Zinc Plated USS	
5	1	RR 1.25	Retaining Ring-1 1/4- External	
6	2	HB1/2-13X3.25Z5	Hex Bolt 1/2-13x3 1/4 Grade 5 Zinc Plated Hex Cap Screw	
7	2	LN1/2-13NCZ5	LN 1/2-13 Zinc Plated Nylon Insert Lock Nut	

Section 2: Engines

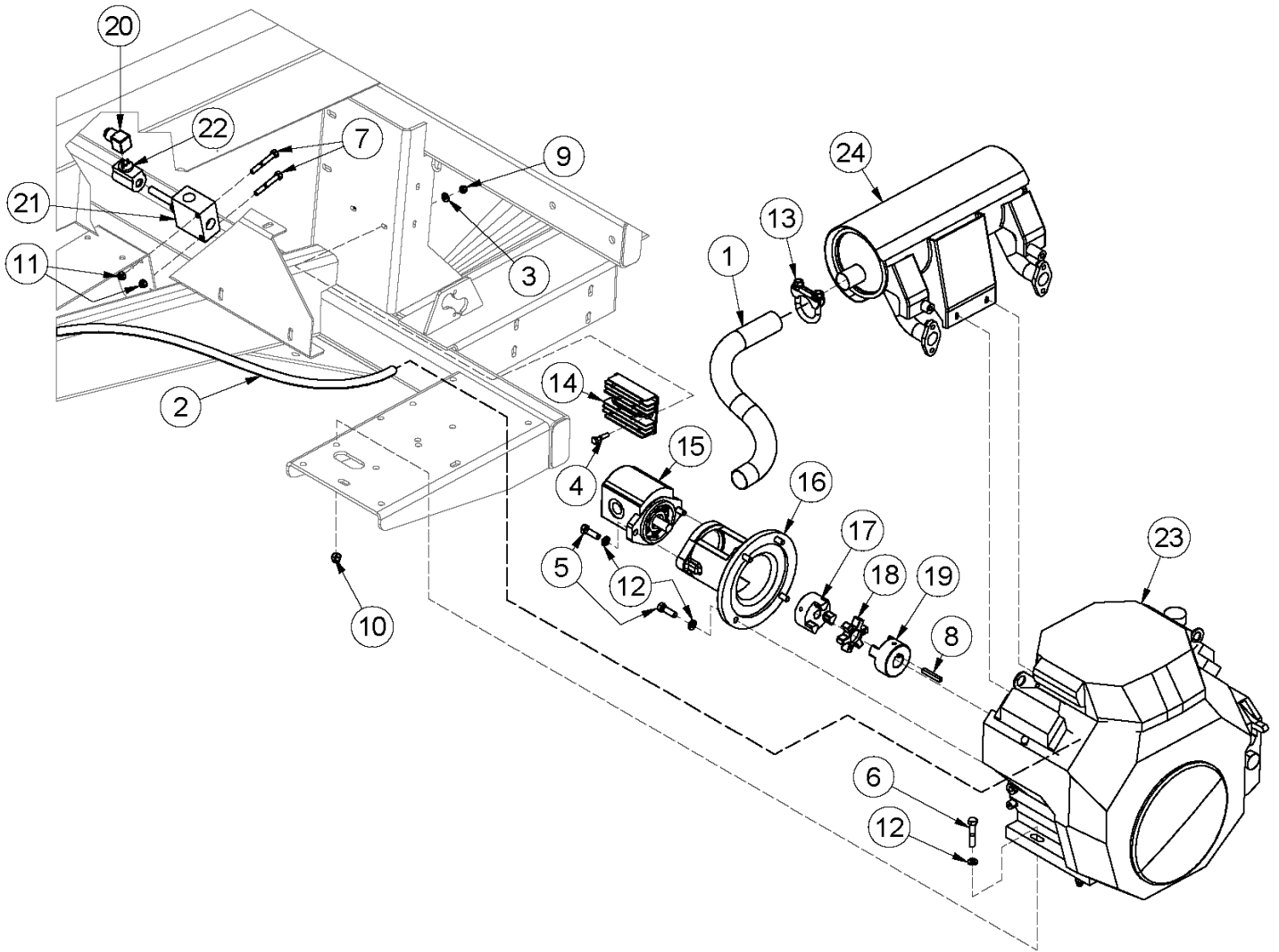
TL13HP - 13hp Honda



TL13Hp - 13hp Honda

ITEM	QTY	PART NUMBER	DESCRIPTION
1	1	25591	13HP Valve Cover Bolt for Fuel Pump
2	1	25649	Fuel Pump (Honda #16700Z0J013)
3	1	40957	Long Fuel Line
4	1	40962	Piston Discharge Line
5	1	40963	Engine Fuel Line
6	2	FW 1/4	Flatwasher - 1/4" Zinc Plated USS
7	2	HB 1/4-20X1.1/4 Z5	Hex Bolt - 1/4"-20 x 1-1/4" Grade 5 Zinc Plated Hex Cap Screw
8	6	HB 3/8-16X1.1/4 Z5	Hex Bolt 3/8-16 x 1 1/4" Grade 5 Zinc Plated Hex Cap Screw N.C.
9	4	HB 3/8-16X2.0 Z5	Hex Bolt 3/8-16 x 2" Grade 5 Zinc Plated Hex Cap Screw N.C.
10	1	KS40960	Key .25 x 1.75
11	2	LN 1/4 N	Locknuts - 1/4-20 Zinc Plated Nylon Insert
12	4	LN 3/8 N	Locknuts - 3/8-16 Zinc Plated Nylon Insert Lock Nut
13	10	LW 3/8	Lockwasher - 3/8" Zinc Plated Medium Split
14	1	TL31620-ZG5-033	Honda 20 Amp Rectifier for 13.5 & 20 HP (GX620 Engine Only)
15	1	TL500-100-181	Hydraulic Pump (13 HP Engine)
16	1	TL500-100-182	Adapter, Engine to Pump
17	1	TL500-100-183	Lovejoy Coupling Pump Side
18	1	TL500-100-184	Coupling Spacer
19	1	TL500-100-185	Love Joy Coupling Engine Side
20	1	TL500-100-220	35 AMP Relay
21	1	TL5X2-100-200	13 HP Honda 18 Amp Engine

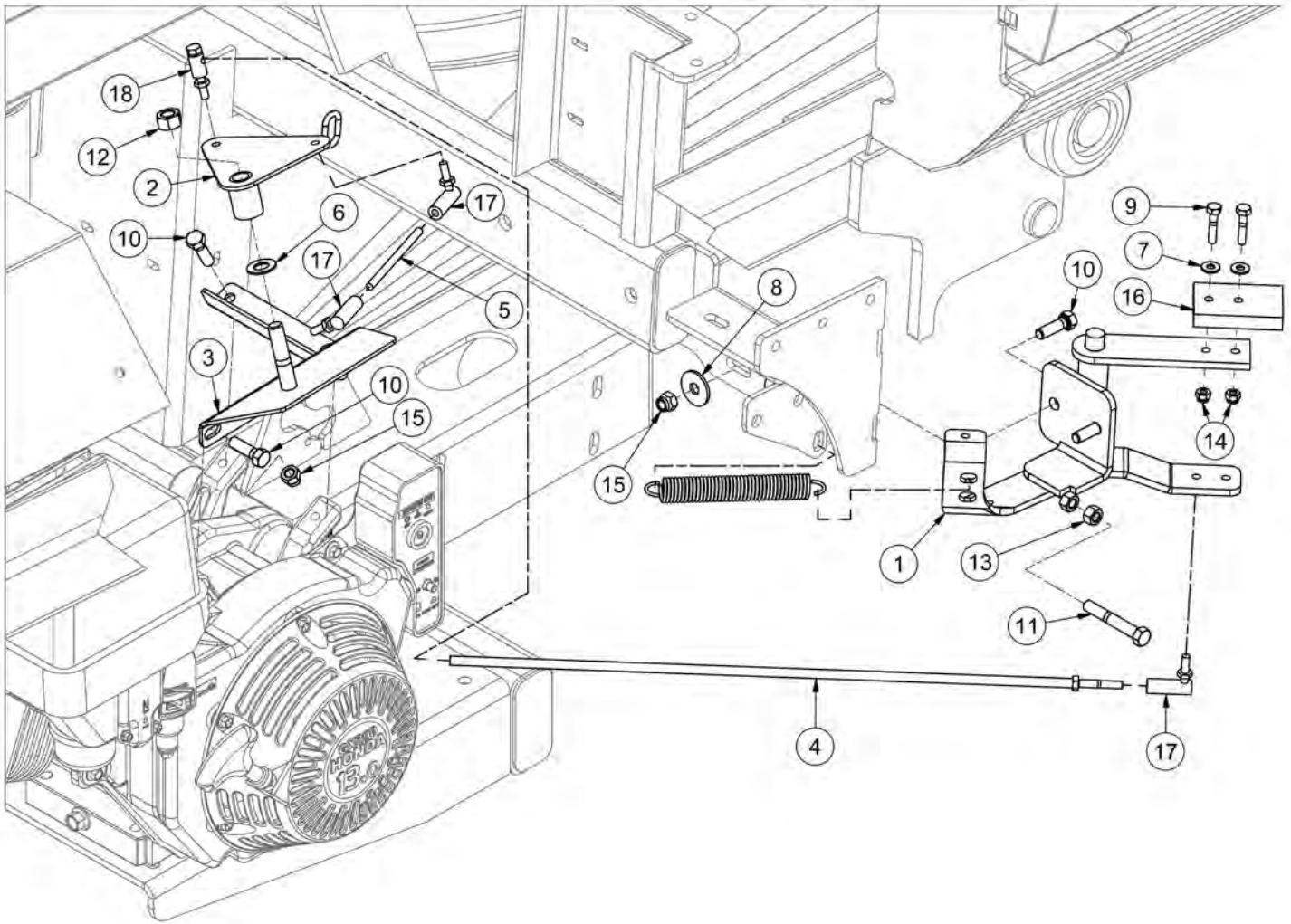
TL20HP - 20hp Honda



TL20HP - 20hp Honda

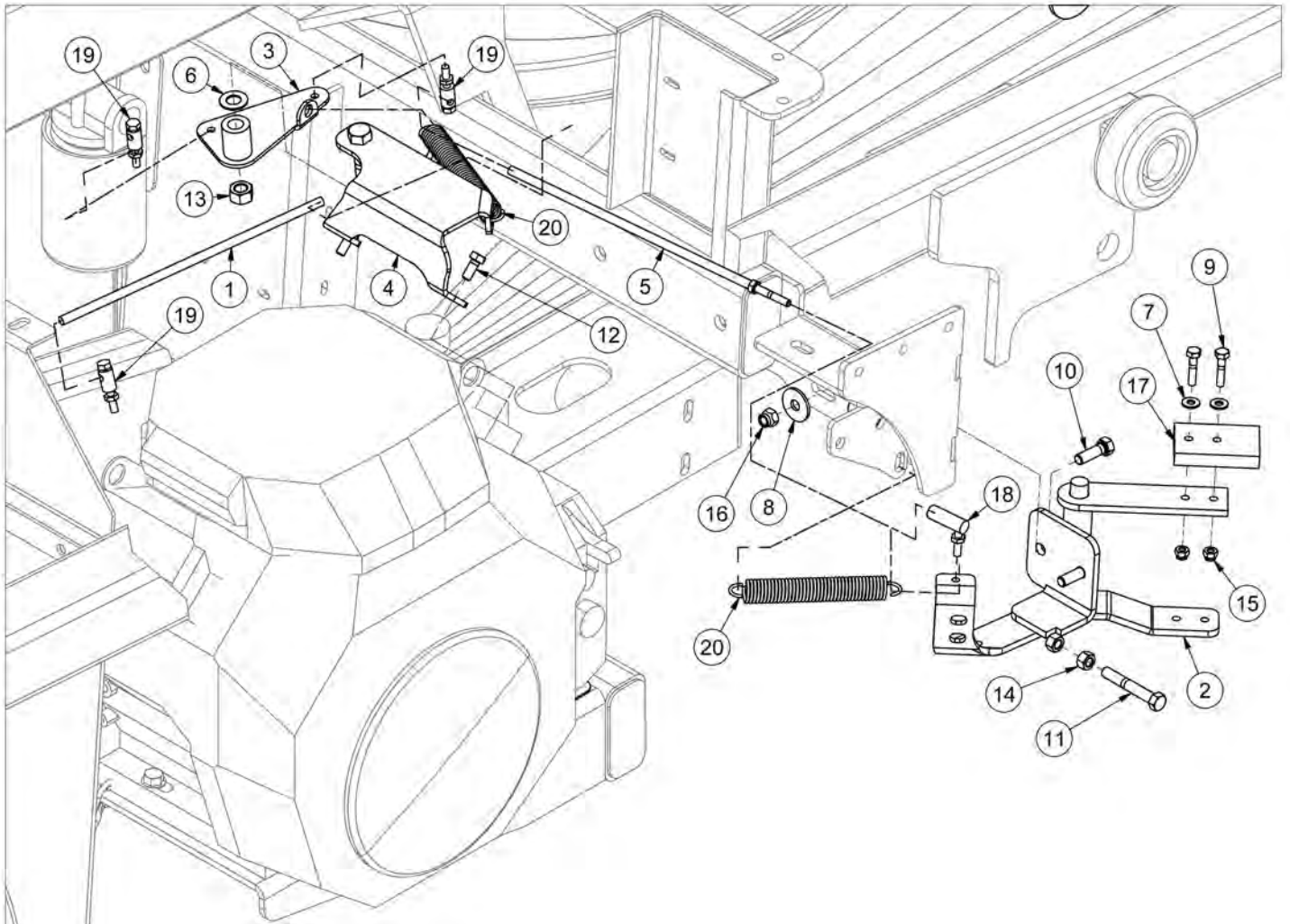
ITEM	QTY	PART NUMBER	DESCRIPTION
1	1	36945	20 HP Muffler Pipe
2	1	40957	Long Fuel Line
3	2	FW 1/4	Flatwasher - 1/4" Zinc Plated USS (6480)
4	2	HB 1/4-20X1.1/4 Z5	Hex Bolt - 1/4"-20 x 1-1/4" Grade 5 Zinc Plated Hex Cap Screw
5	6	HB 3/8-16X1.1/4 Z5	Hex Bolt 3/8-16 x 1 1/4" Grade 5 Zinc Plated Hex Cap Screw N.C.
6	4	HB 3/8-16X2.0 Z5	Hex Bolt 3/8-16 x 2" Grade 5 Zinc Plated Hex Cap Screw N.C.
7	2	HB 5/16-18X2.1/4 Z5	Hex Bolt - 5/16-18 x 2-1/4 Grade 5 Zinc Hex Cap Screw
8	1	KS40960	Key .25 x 1.75
9	2	LN 1/4 N	Locknuts - 1/4-20 Zinc Plated Nylon Insert
10	4	LN 3/8 N	Locknuts - 3/8-16 Zinc Plated Nylon Insert Lock Nut
11	2	LN 5/16 N	Locknut - 5/16-18 Type NE Zinc Plated Nylon Insert
12	10	LW 3/8	Lockwasher - 3/8" Zinc Plated Medium Split (5500)
13	1	MC 1 1/2	Muffler Clamp 1 1/2" Pipe (MC7112)
14	1	TL31750-Z2E-803	Honda 20AMP Rectifier for GX630 Engine
15	1	TL5X2-101-181	Hydraulic Pump (20 HP Engine)
16	1	TL500-100-182	Adapter, Engine to Pump
17	1	TL500-100-183	Lovejoy Coupling Pump Side
18	1	TL500-100-184	Coupling Spacer
19	1	TL500-100-185	Love Joy Coupling Engine Side
20	1	31305	Wiring Harness for Dump Valve
21	1	TL6X2-102-202	Dump Valve (Includes Base and Relief)
21A	1	31545	Dump Valve Body and Cartridge (20 HP)
22	1	TL6X2-102-204	Dump Valve Solenoid (Coil) Round Coil
22A	1	31546	Dump Valve Solenoid (Coil) Square Coil
23	1	TL6X2-100-200	20 HP Honda Engine
24	1	TLVHRM6	Muffler

13hp Throttle Linkage



ITEM	QTY	PART NUMBER	DESCRIPTION
1	1	43821	Throttle Bracket
2	1	43822	Throttle Swivel Plate
3	1	43823	Throttle Swivel Mount Base
4	1	43828	13hp Control Rod
5	1	43831	1/4 x 4 UNF Rod
6	1	FW 1/2	Flatwasher - 1/2" Zinc Plated USS
7	2	FW 1/4	Flatwasher - 1/4" Zinc Plated USS
8	2	FW 3/8	Flatwasher - 3/8" Zinc Plated USS
9	2	HB1/4-20X1.25Z5	Hex Bolt 1/4-20x1 1/4 Grade 5 Zinc Plated Hex Cap Screw
10	5	HB3/8-16X1.25Z5	Hex Bolt 3/8-16x1 1/4 Grade 5 Zinc Plated Hex Cap Screw
11	1	HB3/8-16X2.5Z5	Hex Bolt 3/8-16x2 1/2 Grade 5 Zinc Plated Hex Cap Screw
12	1	HN1/2-13CZ5	Hex Nut 1/2"-13 Grade 5 Zinc Plated Finished
13	1	HN3/8-16CZ5	Hex Nut 3/8"-16 Grade 5 Zinc Plated Finished
14	4	LN1/4-20NCZ5	LN 1/4-20 Zinc Plated Nylon Insert Lock Nut
15	5	LN3/8-16NCZ5	LN 3/8-16 Zinc Plated Nylon Insert Lock Nut
16	1	TL5X2-100-232	Striker Block
17	3	TL550-100-065	Ball Joint
18	1	TL550-100-067	Pivot/Linkage

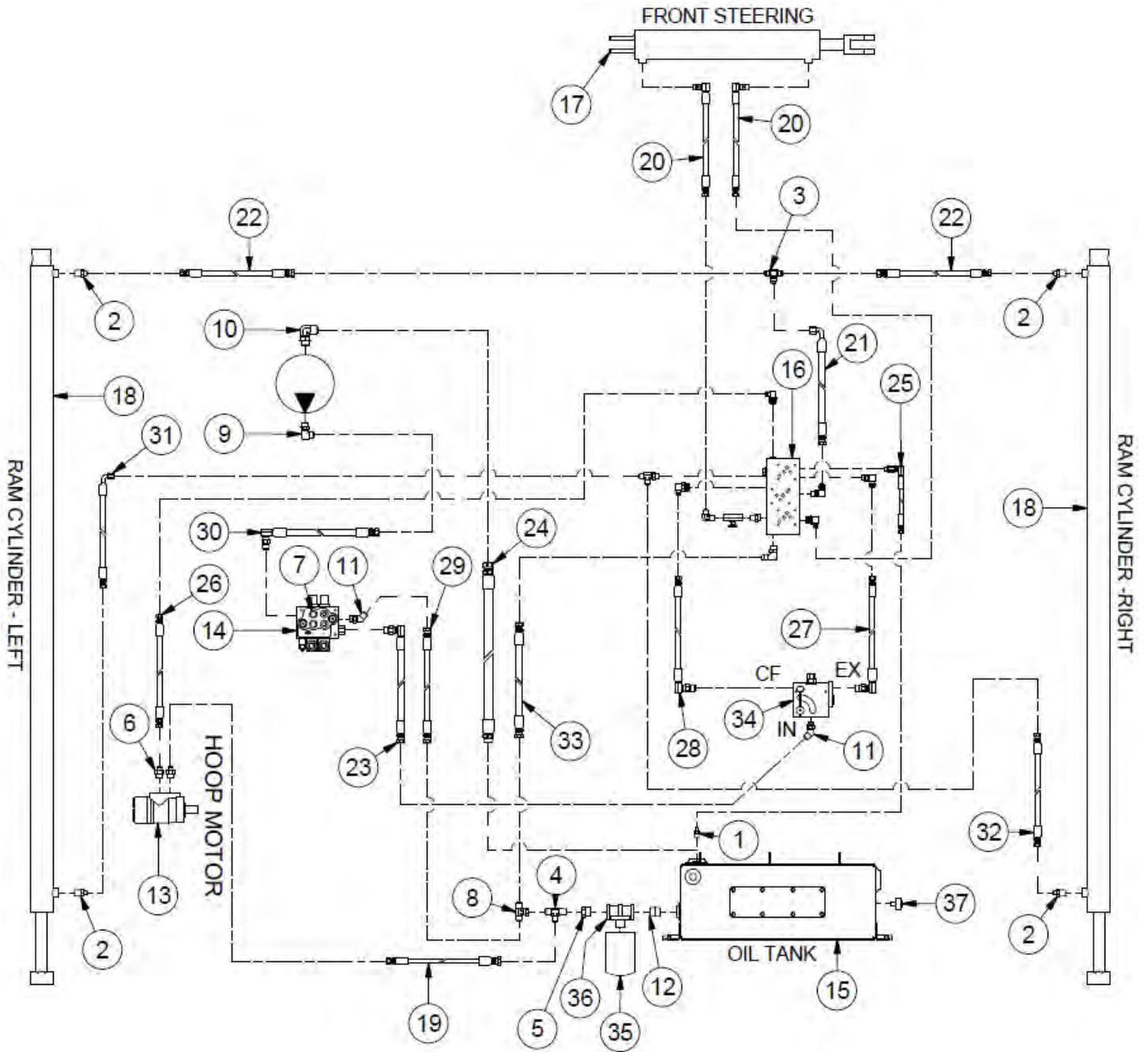
20hp Throttle Linkage



ITEM	QTY	PART NUMBER	DESCRIPTION
1	1	25715	20hp Rod
2	1	43821	Throttle Bracket
3	1	43826	20HP Swing Link
4	1	43827	20hp Throttle Base
5	1	43833	20hp Rod Weldment
6	1	FW 1/2	Flatwasher - 1/2" Zinc Plated USS
7	2	FW 1/4	Flatwasher - 1/4" Zinc Plated USS
8	2	FW 3/8	Flatwasher - 3/8" Zinc Plated USS
9	2	HB1/4-20X1.25Z5	Hex Bolt 1/4-20x1 1/4 Grade 5 Zinc Plated Hex Cap Screw
10	2	HB3/8-16X1.25Z5	Hex Bolt 3/8-16x1 1/4 Grade 5 Zinc Plated Hex Cap Screw
11	1	HB3/8-16X2.5Z5	Hex Bolt 3/8-16x2 1/2 Grade 5 Zinc Plated Hex Cap Screw
12	2	HB5/16-18X0.75Z5	Hex Bolt 5/16-18x3/4 Grade 5 Zinc Plated Hex Cap Screw
13	1	HN1/2-13CZ5	Hex Nut 1/2"-13 Grade 5 Zinc Plated Finished
14	1	HN3/8-16CZ5	Hex Nut 3/8"-16 Grade 5 Zinc Plated Finished
15	2	LN1/4-20NCZ5	LN 1/4-20 Zinc Plated Nylon Insert Lock Nut
16	2	LN3/8-16NCZ5	LN 3/8-16 Zinc Plated Nylon Insert Lock Nut
17	1	TL5X2-100-232	Striker Block
18	1	TL550-100-065	Ball Joint
19	3	TL550-100-067	Pivot/Linkage
20	2	TL550-100-069	Throttle Spring

Section 3: Hydraulics

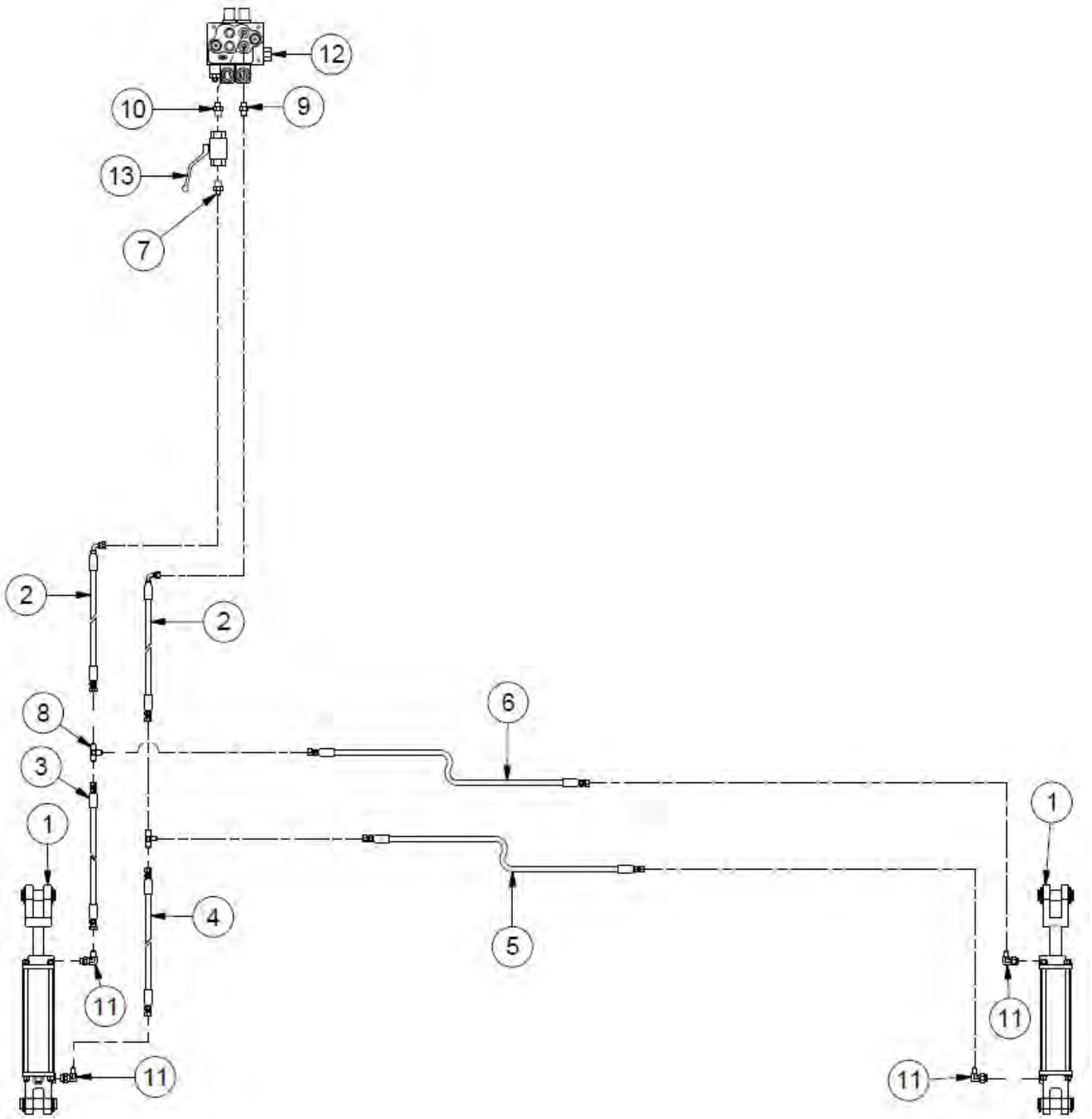
Hydraulic Layout - Front Circuits



Hydraulic Layout - Front Circuits

ITEM	QTY	PART NUMBER	DESCRIPTION
1	1	HF 2404-4-4	Hyd. Fitting - Male JIC - Male Pipe
2	4	HF 2404-6-8	Hyd Fitting, Male JIC - Male Pipe
3	1	HF 2603-8-8-8	Hyd Fitting - Male JIC Tee
4	1	HF 2605-8-8-8	Male JIC - Male Pipe
5	1	HF 5406-12-8	Hyd. Fitting - Reducer Bushing
6	2	HF 6400-6-10	Hyd Fitting -Male JIC - Male ORB
7	2	HF 6408-6	Hex Plug O-Ring
8	1	HF 6600-8-8-8	Hyd. Fitting - Male JIC - Female JIC Tee
9	1	HF 6801-8-10	Hyd. Fitting -1/2" JIC - 5/8" 90 Degree Elbow
10	1	HF 6801-12-12	Forged Fitting - 3/4" JIC x 3/4" SAE 90 Deg. Elbow
11	2	HF 6802-8-8	Hyd. Fitting- Male JIC- Male ORB 45 Deg
12	1	PI .75 CLOSE NIPPLE	Close Nipple Sch 80 3/4
13	1	TL5X2-200-050	Hydraulic Motor (M t S 2009 Models)
	1	SKMLHPQUDE	Seal Kit for 200 & 400 Series Motors (for MLHPQ-U/D)
14	1	TL5X2-201-055	2 Spool Monoblock Valve
15	1	44251	Hydraulic Oil Tank
16	1	TL500-100-056	3 Station Custom Manifold
17	1	TL500-100-103	Hydraulic Cylinder, 2 x 16
	1	SK AGU201125-10	Seal Kit - 2" Kinacor Cylinder
18	2	TL550-100-043	Hydraulic Cylinder (Ram)
	2	SK25	Seal Kit for Ram Cylinder
19	1	TLT5E102-09	HH48 - 6ATI(8FJXH-6FJXH)48HCL
20	2	TLT5E606-09	HH92.50 - 6ATI(6MBX90,6FJXH) 92.50" E/E
21	1	TLT5E609-09	HH84.25-8ATI(8FJX90S-8FJX)84.25-CL/E
22	2	TLT5E610-09	HH45.75-6ATI(8FJX-6FJX)45.75-E/E
23	1	TLT5M111-09	HH24.75- 8ATI(8MBX90-8FJX)24.75 - E/E
24	1	TLT5M117-09	HH24.75- 8ATI(8MBX90-8FJX)24.75 - E/E
25	1	TLTLE101-09	HH25-4ATI(4FJXH-6MBX90)25"HCL
26	1	TLX202-09	HH54.75-6ATI-6FJX-6FJX-54.75-E/E
27	1	TLX203-09	HH86-6ATI-8MBX90-6FJX-86 CL/E
28	1	TLX204-09	HH80-6ATI-8MBX90-6FJX-80-CL/E
29	1	TLX205-09	HH74.25-6ATI-8FJX-8FJX-74.25-E/E
30	1	TLX206-09	HH93.25-8ATI-8MBX90-8FJX-93.25 CL/E
31	1	TLX208-09	HH48.75-6ATI(6FJX90S-6FJX)48.75-CL/E
32	1	TLX209-09	HH78-6AT(6FJX-6FJX)78-E/E
33	1	TLX210-09	HH22.25 - 8ATI(8FJX-8FJX) 22.25-CL/E
34	1	TL500-100-193	Flow Control - RD 150-08
35	1	TL500-100-173	10 Micron Filter
36	1	TL500-100-172	Filter Base
37	1	TL500-100-171	Sight Gauge

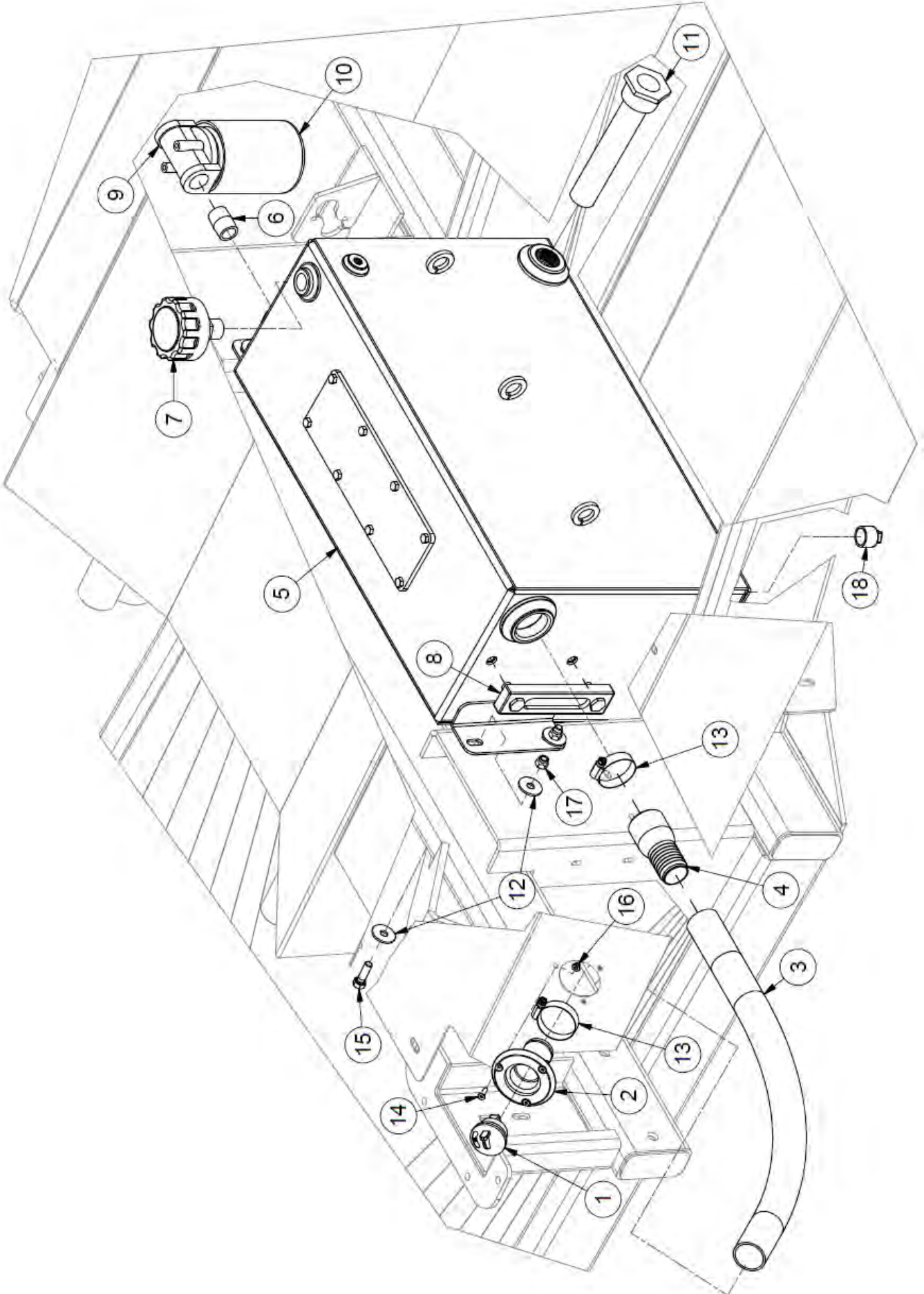
Hydraulic Layout - Rear Circuits



Hydraulic Layout - Rear Circuits

ITEM	QTY	PART NUMBER	DESCRIPTION
1	2	36422	Hydraulic Cylinder for TLR5000 Lift Tail
2	2	43865	HH178-4ATI(4FJX90S-4FJX)178-CL/E
3	1	43866	HH17 - 4AT1(4FJXH,4FJXH) HCL 17"
4	1	43867	HH10 - 4AT1(4FJXH,4FJXH) HCL 10"
5	1	43868	HH45 - 4AT1(4FJXH,4FJXH) HCL 45"
6	1	43869	HH52 - 4AT1(4FJXH,4FJXH) HCL 52"
7	1	HF 2404-4-6	Hyd. Fitting - Male JIC - Male Pipe
8	2	HF 2603-4	Hyd Fitting - Male JIC Tee
9	1	HF 6400-4-6	Hyd Fitting - Male JIC - Male ORB
10	1	HF 6401-6-6	Hydraulic Adapter - Male OTB - Male Pipe
11	4	HF 6801-4-6	Hyd Fitting - Male JIC - Male ORB 90 Degree
12	1	TL5X2-201-055	2 Spool Monoblock Valve
13	1	VAL BV73-100	Valve 1/2" Ball

Hydraulic Oil Tank



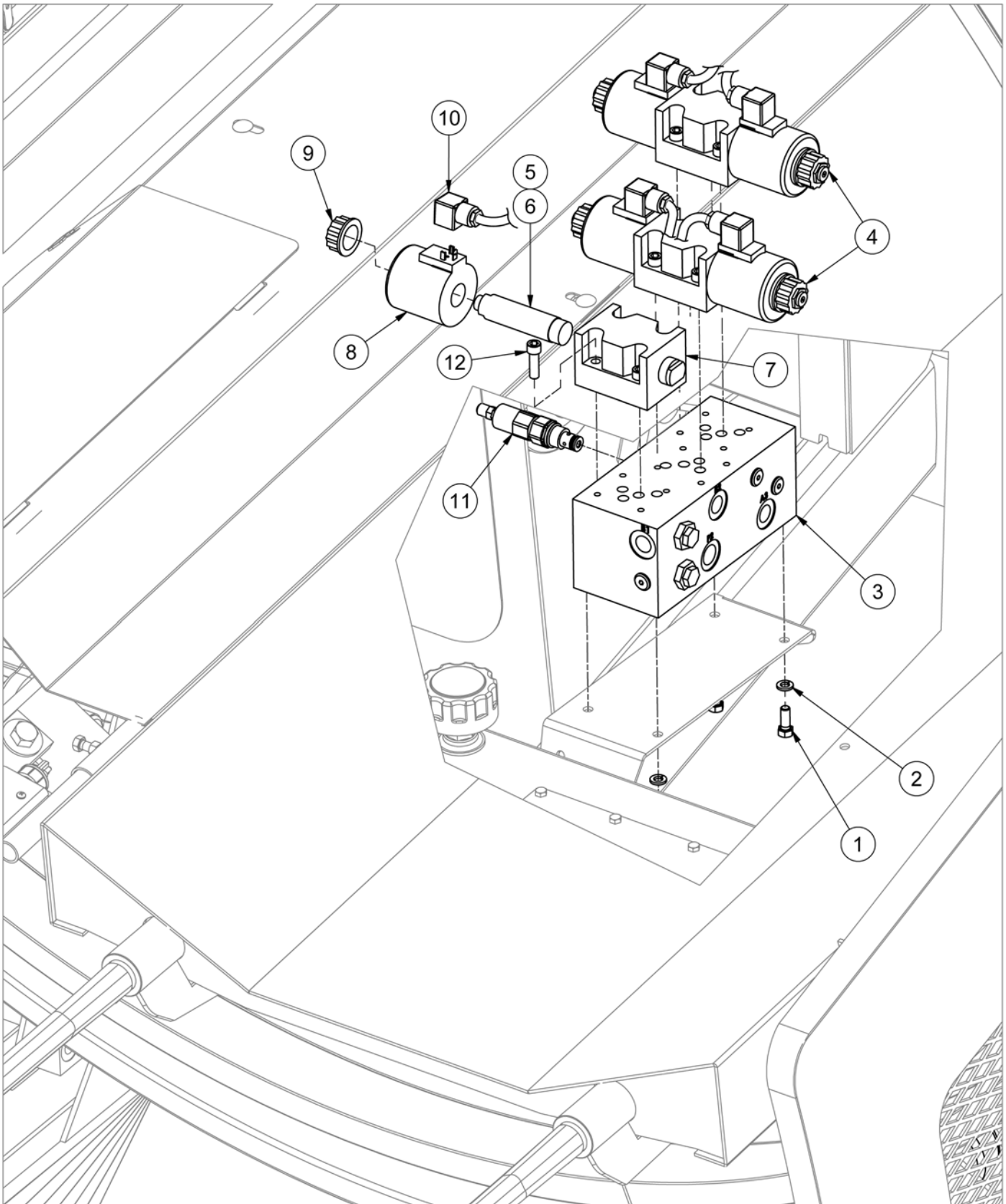
Hydraulic Oil Tank

ITEM	QTY	PART NUMBER	DESCRIPTION
1	1	30868	Hydraulic Oil Fill Cap
2	1	30869	Hydraulic Oil Fill Body
3	1	44111	Hydraulic Fill Hose
4	1	30894	Oil Fill Barbed Fitting
5	1	44251	Hydraulic Oil Tank
6	1	PI .75 CLOSE NIPPLE	Close Nipple Sch 80 3/4
7	1	TL500-100-169	Breather Cap
8	1	TL500-100-171	Sight Gauge
9	1	TL500-100-172	Filter Base
10	1	TL500-100-173	10 Micron Filter
11	1	TL500-100-175	Suction Strainer
12	8	FW 3/8	Flatwasher - 3/8" Zinc Plated USS
13	2	GC 24	Gear Clamp #24 1" to 2"
14	3	HB #10-24X0.75 FHSCS	Hex Bolt - 3/16"-24 x 3/4" Flat Socket Cap Screw
15	4	HB 3/8-16X1.25 Z5	Hex Bolt 3/8-16x1 1/4 Grade 5 Zinc Plated Hex Cap Screw
16	3	LN #10 N	LN 3/16-24 Zinc Plated Nylon Insert Lock Nut
17	4	LN 3/8 N	LN 3/8-16 Zinc Plated Nylon Insert Lock Nut
18	1	TL500-100-174	Magnetic Plug

Oil in Unit: AW32 SAE10 Hydraulic Oil

FILTER CROSS REFERENCE	
FILTER	REFERENCE
Stauf	SF6520
Gresen	F22001
Fram	P1653-A
Fleetguard	HF6510
Cross	1A9021

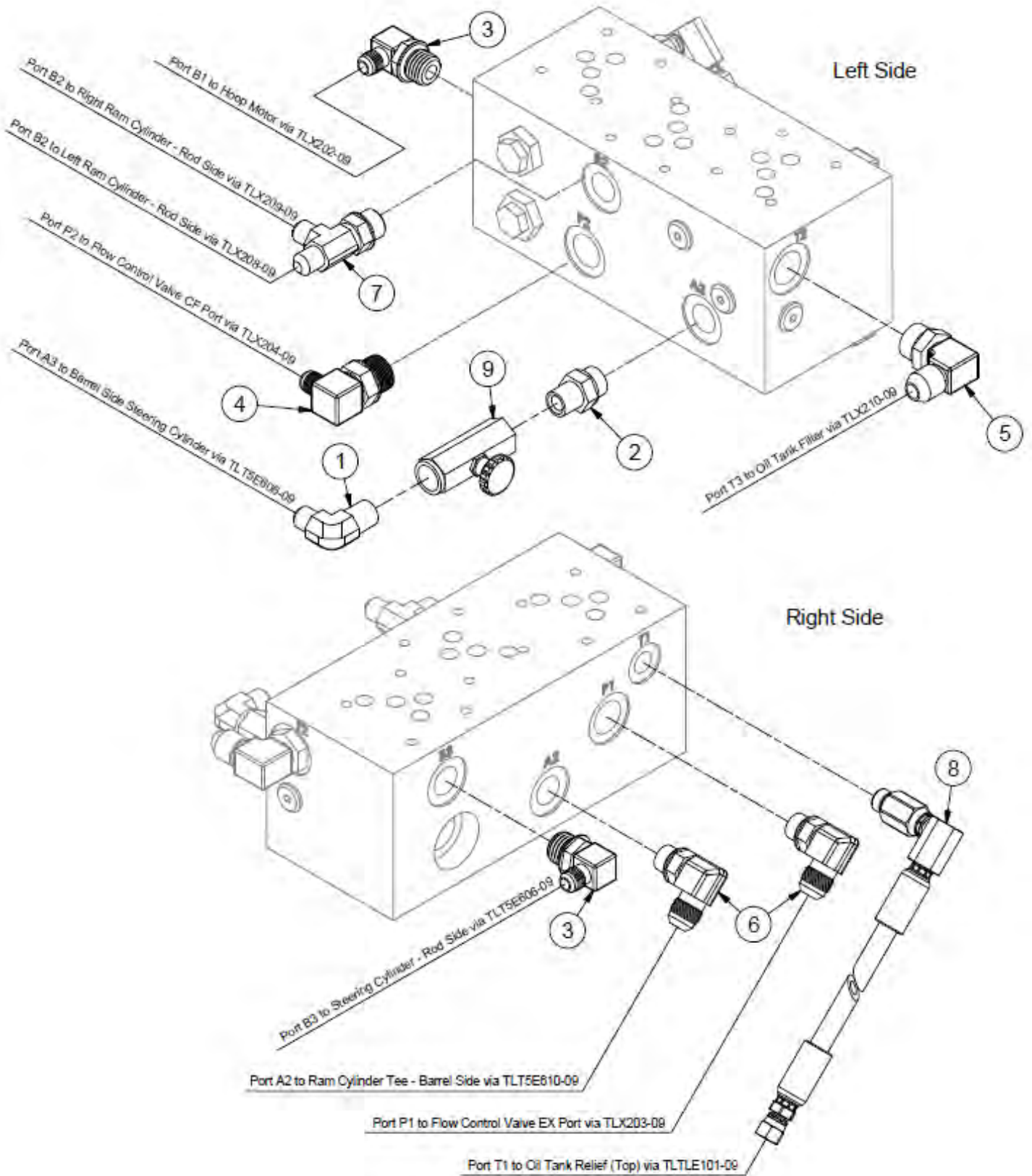
Hydraulic Manifold



Hydraulic Manifold

ITEM	QTY	PART NUMBER	DESCRIPTION	NOTE
1	4	HB 3/8-16X1 Z5	Hex Bolt 3/8-16x1 Grade 5 Zinc Plated Hex Cap Screw	
2	4	LW 3/8	LW - 3/8" Zinc Plated Medium Split	
3	1	TL500-100-056	3 Station Custom Manifold	Incl. Items 4-12
4	2	28532	Tandem 12V DC Valve (Complete)	Incl. Items 6-9 (6,8,9 x2 Qty)
5	1	28533	Single 12V DC Valve (Complete)	Incl. Items 6-9
6	1	VAL 25288	Hystar DSG-03 Tube (DC)	
7	1	Val 25295	Valve Body	
8	1	28531	Valve Coil	
9	1	VAL 25285	Plastic Nut	
10	5	28534	Tandem Valve DIN Connector	
11	1	VAL MW10A/OS2B	Double Cross Over Relief Cartridge (Solenoid Valve)	Port 5
12	12	HB 1/4-20X1.375 SHCS	Hex Bolt - 1/4-20 x 1 3/8 Socket Head Cap Screw	

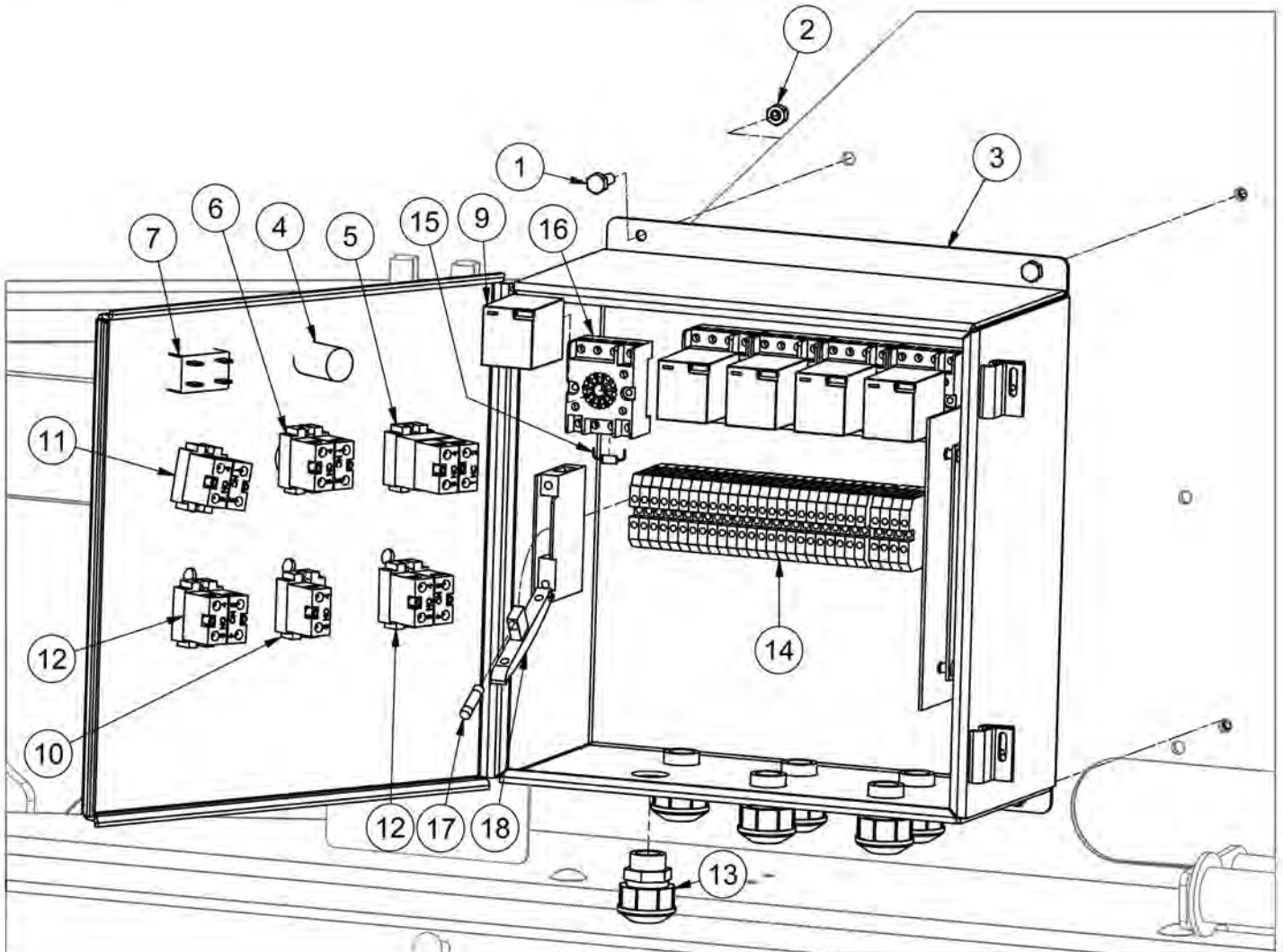
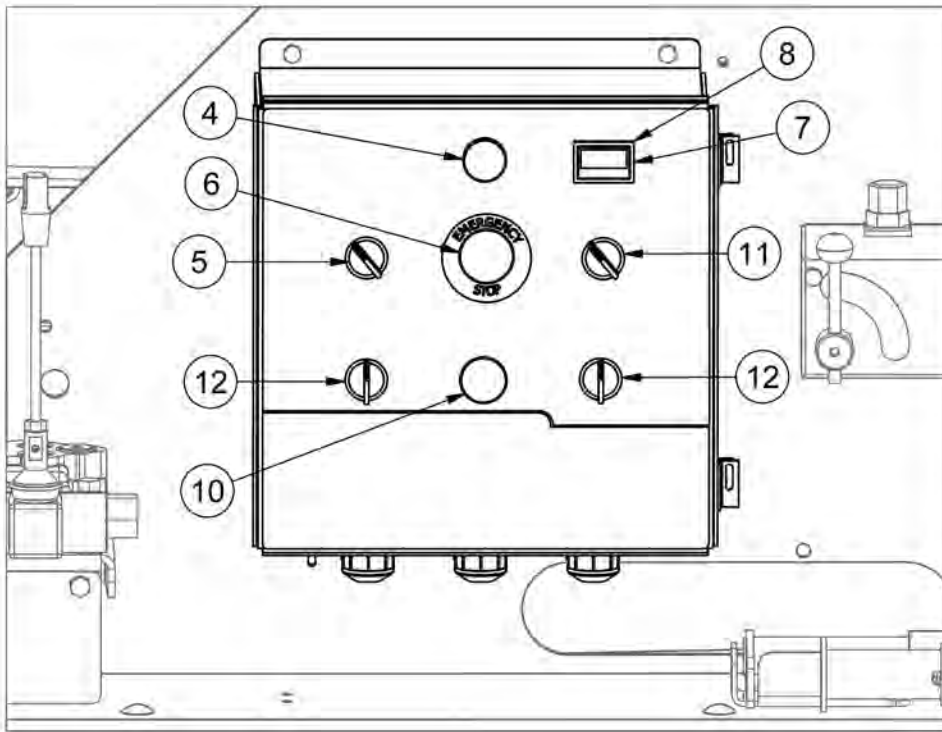
Hydraulic Manifold Connections



Hydraulic Manifold Connections

ITEM	QTY	PART NUMBER	DESCRIPTION
1	1	HF 2501-6-6	Hyd Fitting - Male JIC - Male Pipe 90 Degree
2	1	HF 6401-8-6	Hyd Fitting
3	2	HF 6801-6-8	Hyd Fitting - Male JIC - Male ORB 90 Degree
4	1	HF 6801-6-10	Hyd. Fitting -Male JIC - Male ORB 90 Degree Elbow
5	1	HF 6801-8-6	Adapter
6	2	HF 6801-8-8	Hyd. Fitting- 1/2" JIC- 1/2" SAE 90 Deg Elbow
7	1	HF 6804-6-8-6	Hyd Fitting - Male JIC - Male ORB Tee
8	1	TLTLE101-09	HH25-4ATI(4FJXH-6MBX90)25"HCL
9	1	VAL FT-03-2090 NPT	Flow Control Valve

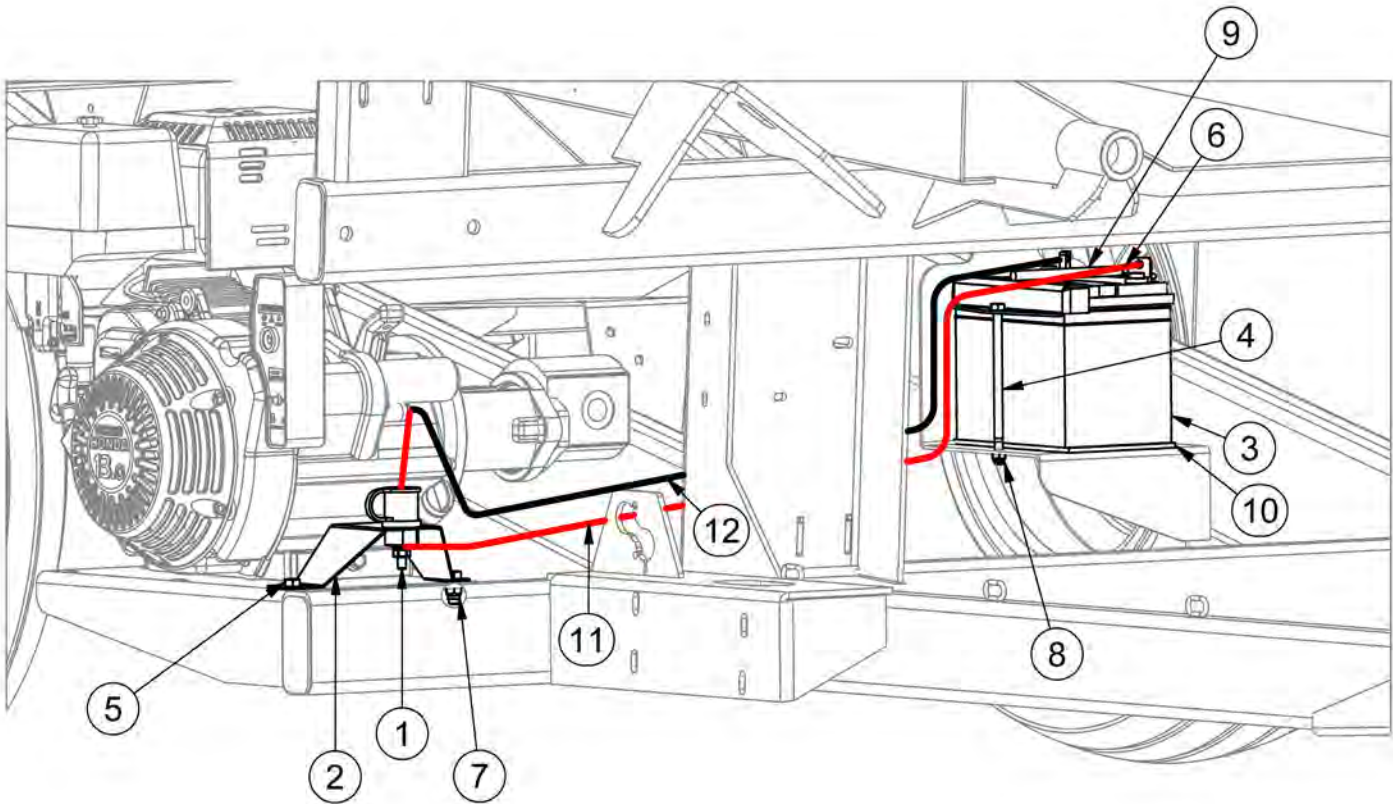
Section 4: Electrical Control Panel



Control Panel

ITEM	QTY	PART NUMBER	DESCRIPTION	NOTE
1	4	HB1/4-20X0.75Z5	Hex Bolt 1/4-20x3/4 Grade 5 Zinc Plated Hex Cap Screw	
2	4	LN1/4-20NCZ5	LN 1/4-20 Zinc Plated Nylon Insert Lock Nut	
3	1	TLCONTROLPANEL	Control Panel	Items 4-18
4	1	25674	LED Light	
5	1	25762	On/Off Switch	
6	1	25763	Emergency Stop Button	
7	1	44917	Bale Count Screen	
8	1	44918	Bale Count Screen Gasket	
9	5	TL500-100-221	Control Relay	
10	1	TL550-100-075	Rotate Switch	
11	1	TL550-100-076	Man/Auto Switch	
12	2	TL550-100-077	Steering Switch	
13	6	TL550-100-086	PVC Wire Holder	
14	26	TL550-150-084	DIN Rail Terminal Block	
15	2	TL550-150-085	Diode 1N5406 3amp 600V	
16	5	TL5X2-500-158	11 Pin Relay Base	
17	1	TL550-100-079	15 AMP Fuse	
18	1	TL550-150-083	DIN Rail Fuse Holder	

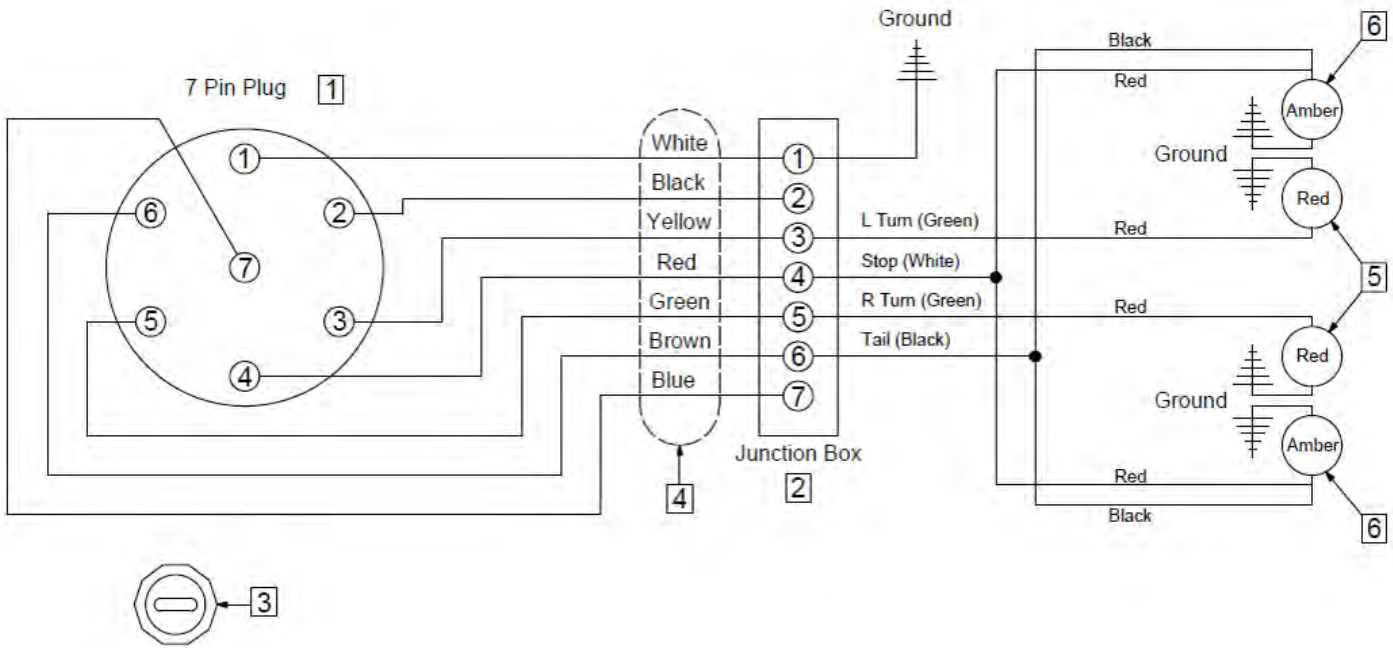
Battery



Battery

ITEM	QTY	PART NUMBER	DESCRIPTION
1	1	30873	Battery Post
2	1	44899	Insulated Jumper Mount
3	1	45924	SP-40 Battery
4	1	HB 5/16-18X6 Z5	Hex Bolt 5/16-18x6 Grade 5 Zinc Plated Hex Cap Screw
5	2	HB3/8-16X1Z5	Hex Bolt 3/8-16x1 Grade 5 Zinc Plated Hex Cap Screw
6	1	HB5/16-18X7Z5	Hex Bolt 5/16-18x7 Grade 5 Zinc Plated Hex Cap Screw
7	2	LN3/8-16NCZ5	LN 3/8-16 Zinc Plated Nylon Insert Lock Nut
8	2	LN5/16-18NCZ5	LN 5/16-18 Zinc Plated Nylon Insert Lock Nut
9	1	TL500-301-221	Battery Hold-Down
10	1	TL5X2-007-101	Battery Rubber, 3/16 x 5 x 8 Mud Flap
11	1	TL5X2-500-159	Red Battery Cable
12	1	TL5X2-500-160	Black Battery Cable

Running Lights



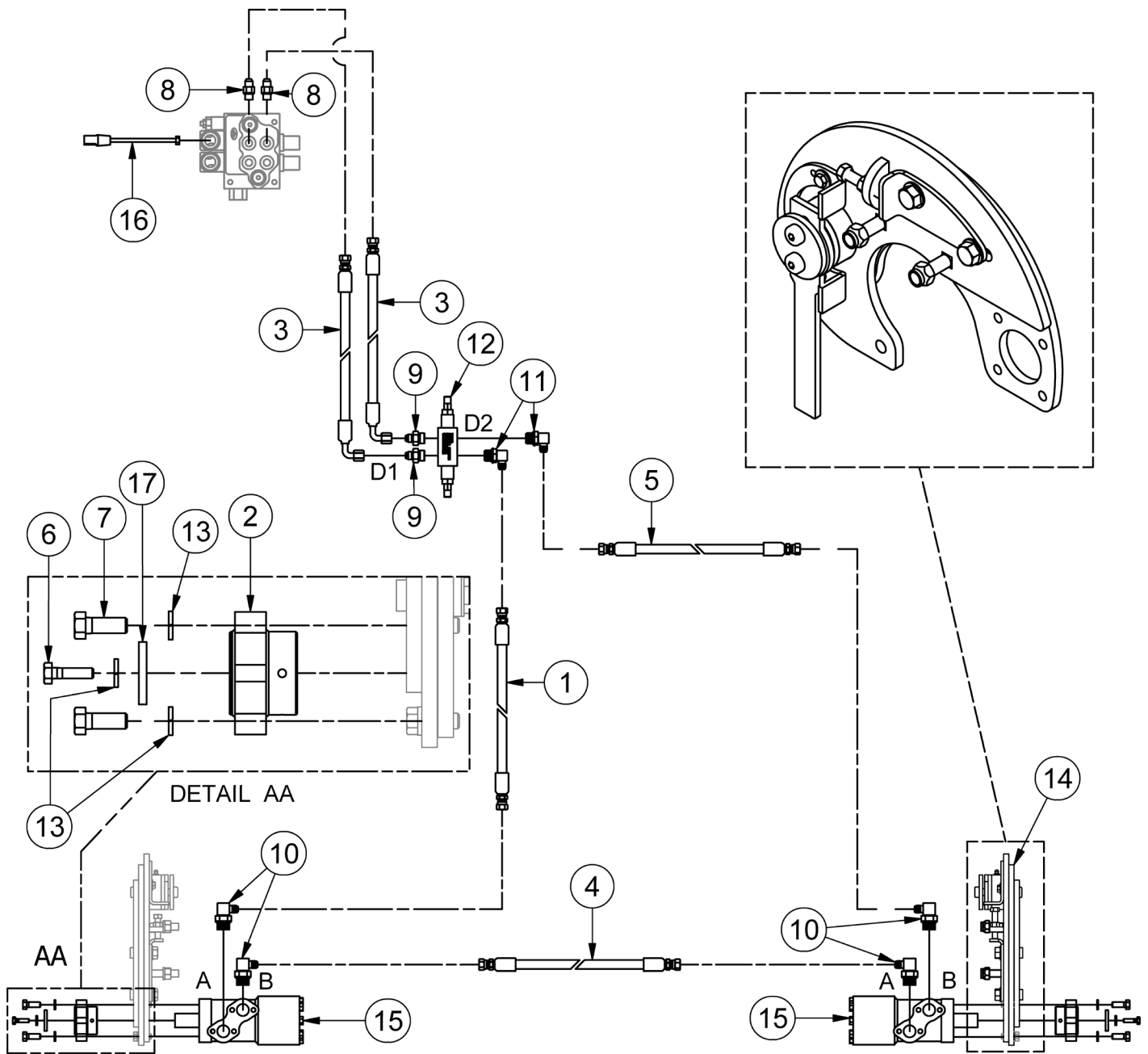
ITEM	QTY	PART NUMBER	DESCRIPTION
1	1	TL550-200-117	7 Pin Plug
2	1	TL550-200-118	Junction Box
3	1	TL550-200-119	Strain Relief
4	1	TL550-200-120	7 Wire Conductor
5	2	TL550-200-121	Red Lamp
6	2	TL550-200-122	Amber Lamp

Section 5: Options

TLHPD5000 - Single Power Drive

ITEM	QTY	PART NUMBER	DESCRIPTION
1	1	28772	Power Drive Sprocket for TL5500,TLR5000
2	2	26919	Hose - HH120 - 6AT1(6FJX,6FJX) HCL 120"
3	2	41512	HH80- 6AT1(6FJXH-6FJX90S) HCL80"
4	1	HB 1/4-20X1 Z5	Hex Bolt 1/4-20x1 Grade 5 Zinc Plated Hex Cap Screw
5	4	HB 3/8-16X1 Z5	Hex Bolt 3/8-16x1 Grade 5 Zinc Plated Hex Cap Screw
6	2	HF 6400-6-6	Hyd Fitting
7	2	HF 6400-6-8	Hyd Fitting -Male JIC - Male ORB
8	2	HF 6801-6-10	Hyd. Fitting -Male JIC - Male ORB 90 Degree Elbow
9	2	HF 6801-6-8	Hyd Fitting - Male JIC - Male ORB 90 Degree
10	1	LA-SB2000RV	Relief Valves
11	3	LW 3/8	LW - 3/8" Zinc Plated Medium Split
12	1	VAL 1008	Motor, Hydraulic - (BS208107A)
13	1	VAL 21733	Valvoil SD/5 2 Lever Handle
14	1	TL552404	Motor Plate

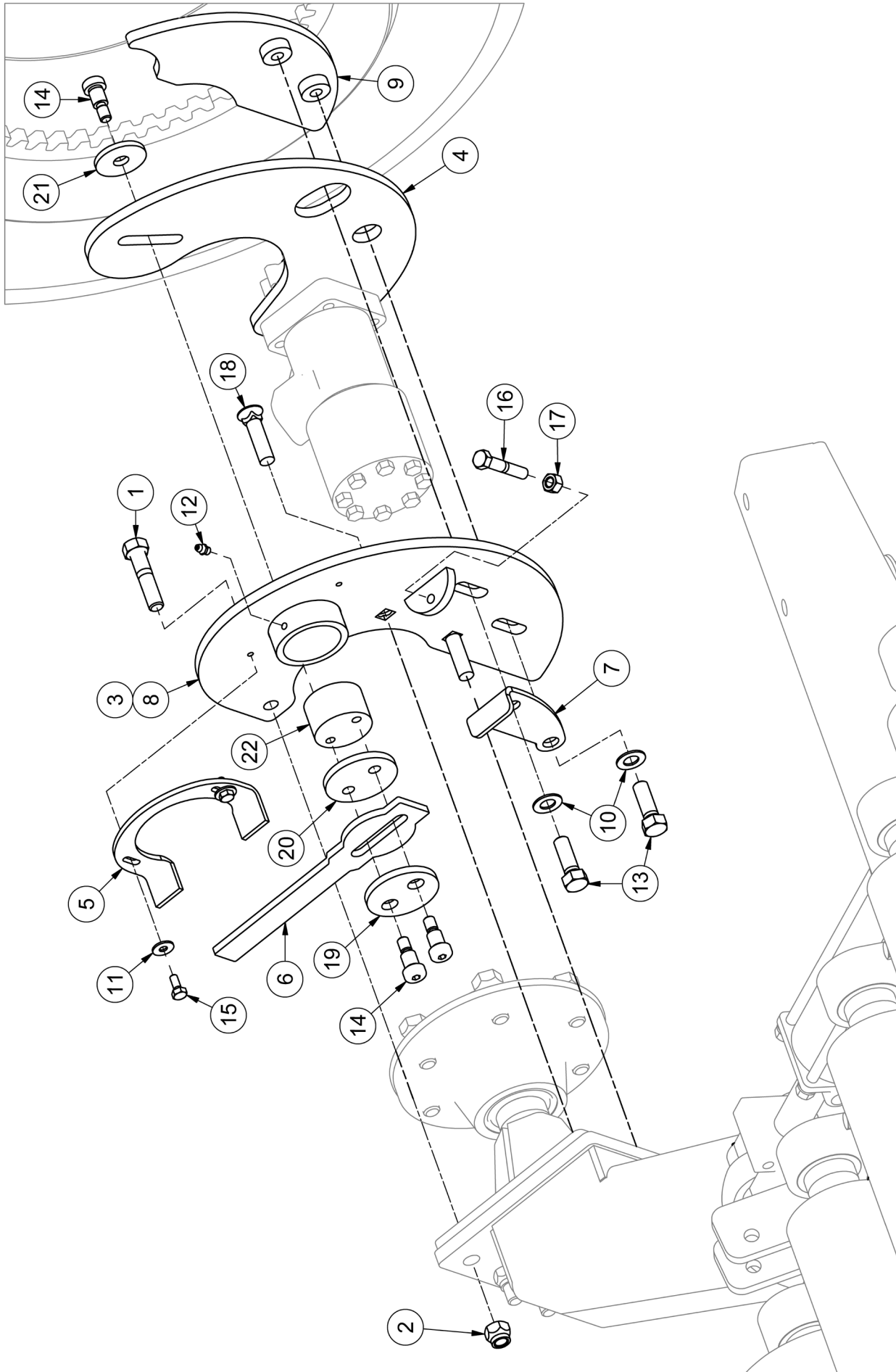
TLHPDD5000 - Dual Power Drive



TLHPDD5000 - Dual Power Drive

ITEM	QTY	PART NUMBER	DESCRIPTION	NOTE
1	1	26919	Hose - HH120 - 6AT1(6FJX,6FJX) HCL 120"	
2	2	28772	Power Drive Sprocket for TL5500,TLR5000	
3	2	41512	HH80- 6AT1(6FJXH-6FJX90S) HCL80"	
4	1	44903	Hose - HH117 6AT1 (6FJXH-6FJXH) HCL 117"	
5	1	44904	Hose - HH160 6AT1 (6FJXH-6FJXH) HCL 160"	
6	2	HB 1/4-20X1 Z5	Hex Bolt 1/4-20x1 Grade 5 Zinc Plated Hex Cap Screw	
7	8	HB 3/8-16X1 Z5	Hex Bolt 3/8-16x1 Grade 5 Zinc Plated Hex Cap Screw	
8	2	HF 6400-6-6	Hyd Fitting	
9	2	HF 6400-6-8	Hyd Fitting -Male JIC - Male ORB	
10	4	HF 6801-6-10	Hyd. Fitting -Male JIC - Male ORB 90 Degree Elbow	
11	2	HF 6801-6-8	Hyd Fitting - Male JIC - Male ORB 90 Degree	
12	1	LA-SB2000RV	Relief Valves	
13	10	LW 3/8	LW - 3/8" Zinc Plated Medium Split	
14	1	TL109-100-360	Power Drive Assembly RH	See Pg.5-6
15	2	VAL 1008	Motor, Hydraulic - (BS208107A)	
16	1	VAL 21733	Valvoil SD/5 2 Lever Handle	
17	2	TL552404	Motor Plate	

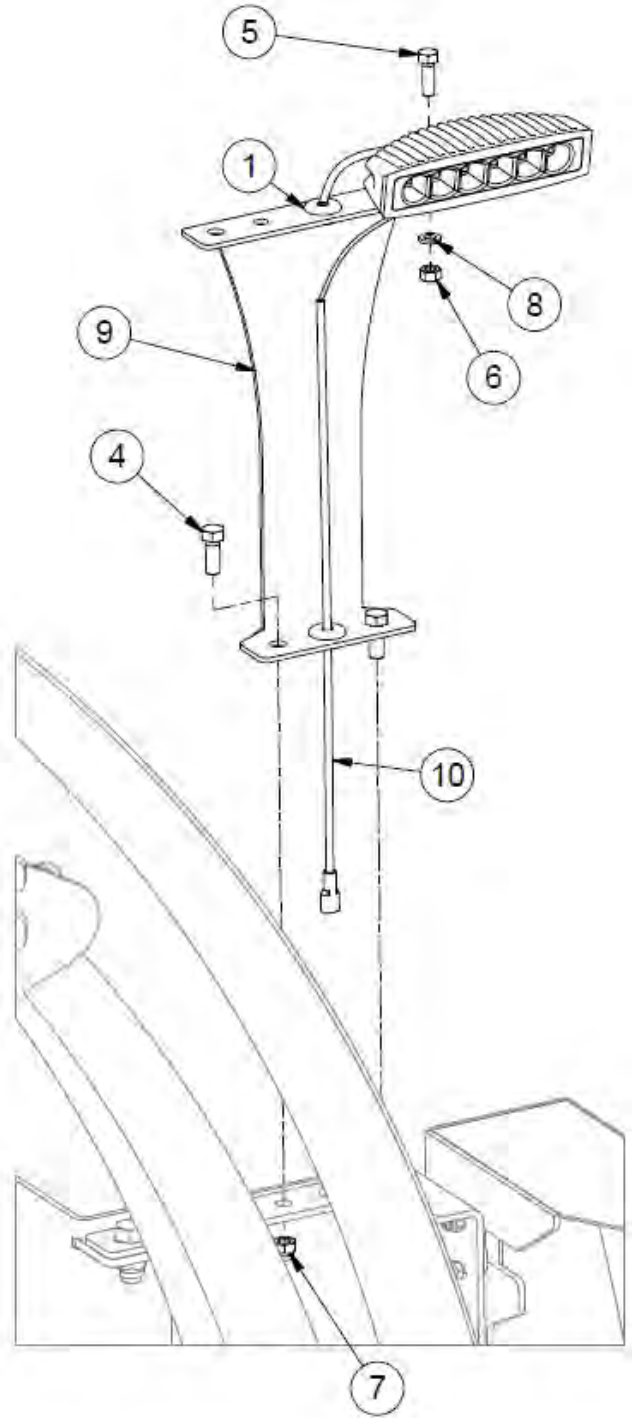
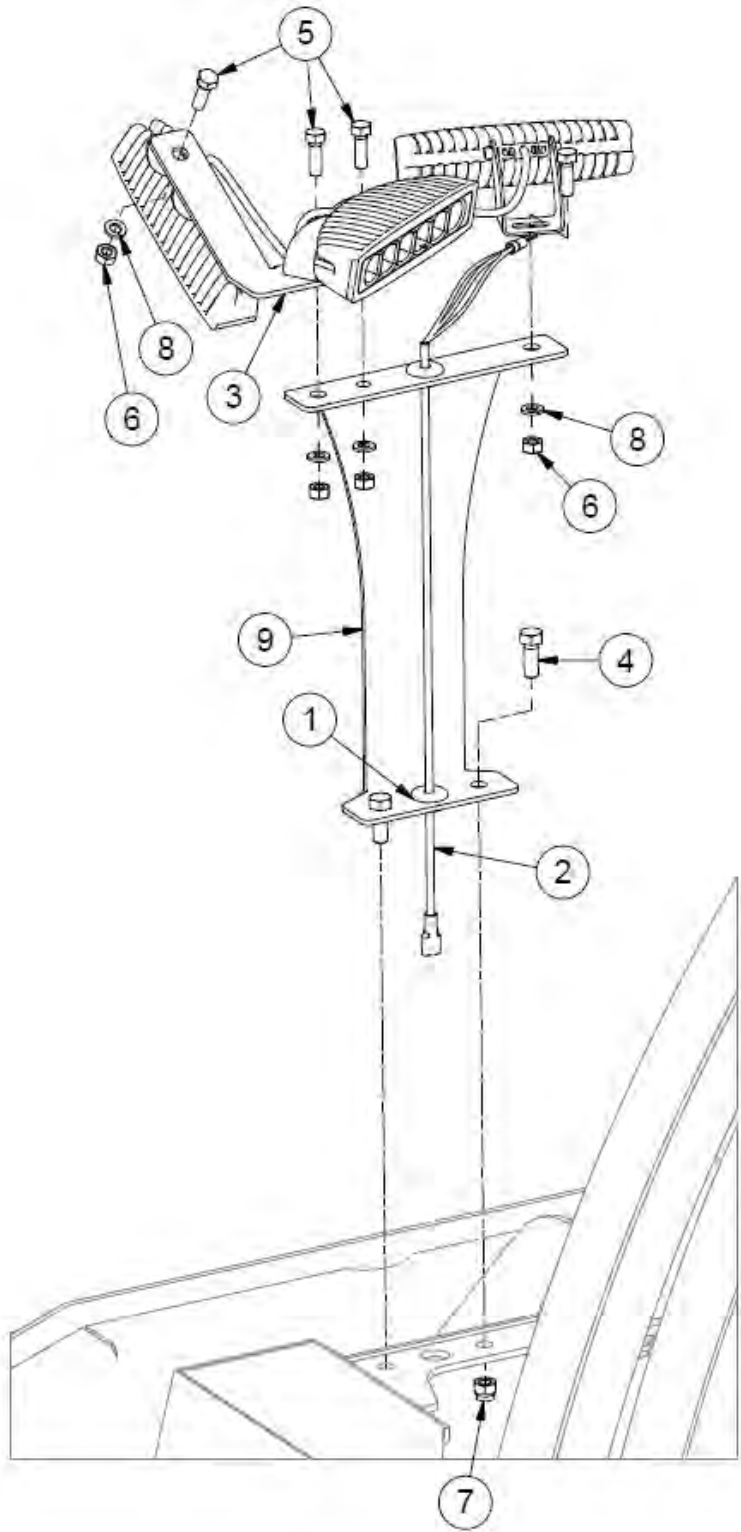
TL109-100-360 - Dual Power Drive Bracket



TL109-100-360 - Dual Power Drive Bracket

ITEM	QTY	PART NUMBER	DESCRIPTION	NOTE
1	1	HB 1/2-13X2.25 Z5	Hex Bolt 1/2-13x2 1/4 Grade 5 Zinc Plated Hex Cap Screw	
2	1	LN 1/2 N	LN 1/2-13 Zinc Plated Nylon Insert Lock Nut	
3	1	TL109-100-360	Power Drive Assembly	Inc. Items 4-22
4	1	25116	Drive Engaging Plate	
5	1	25121	Handle Lock	
6	1	25122	Handle	
7	1	25687	Outside Plate Guide	
8	1	25688	Power Drive Base	
9	1	25703	Bolt-on Plate	
10	2	FW 1/2	Flatwasher - 1/2" Zinc Plated USS	
11	2	FW 1/4	Flatwasher - 1/4" Zinc Plated USS	
12	1	GR 1/4 X 28	Grease Fitting 1/4-28 Straight Standard Zerk	
13	2	HB 1/2-20X1.5 Z5	Hex Bolt 1/2-20x1 1/2 Grade 5 Zinc Plated Hex Cap Screw	
14	2	HB 1/2X5/8 SS	Socket Head Shoulder Screws - 1/2 Shldr x 5/8 x 3/8-16	
15	2	HB 1/4-20X0.625 Z5	Hex Bolt 1/4-20x5/8 Grade 5 Zinc Plated Hex Cap Screw	
16	1	HB 3/8-16X2 Z5	Hex Bolt 3/8-16x2 Grade 5 Zinc Plated Hex Cap Screw	
17	1	HN 3/8	Hex Nut 3/8"-16 Grade 5 Zinc Plated Finished	
18	2	PB 1/2-13X2	Plow Bolts - 1/2-13 x 2 Flat Head Gr.5	
19	1	WHEEL2012	Outside Handle Washer	
20	1	WHEEL20121	Inside Handle Washer	
21	1	WHEEL2013	Inside Cam Washer	
22	1	WHEEL9	Eccentric	

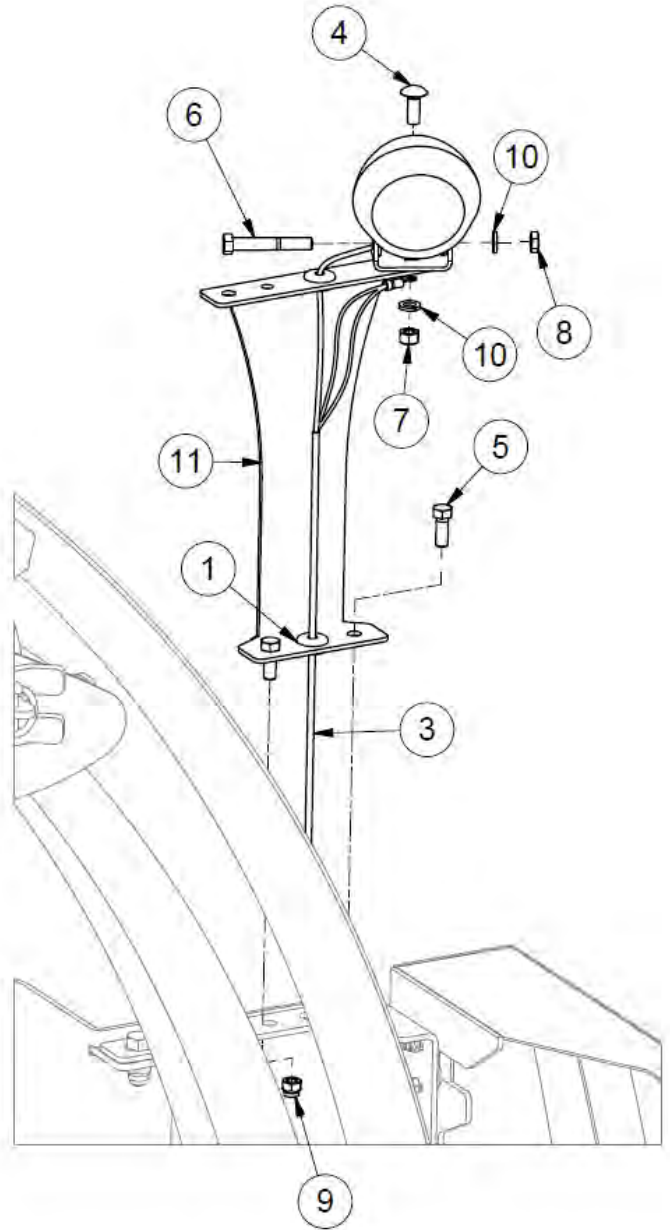
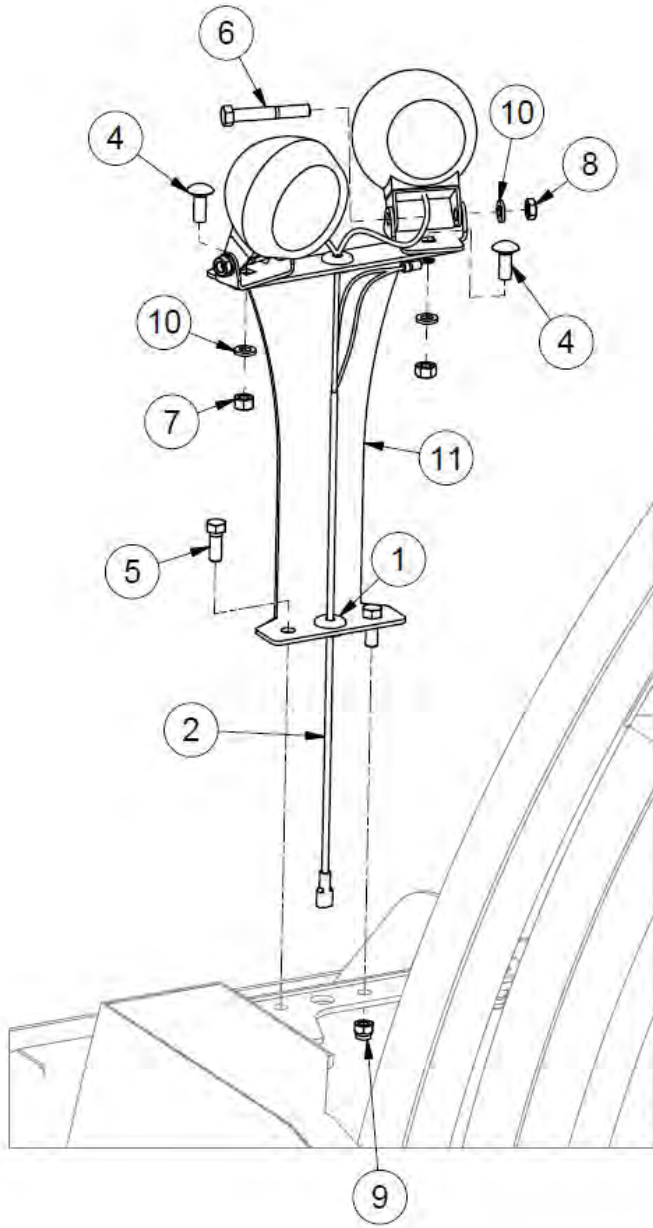
TLNWLKLED - LED Night Light Kit



TLNWLKLED - LED Night Light Kit

ITEM	QTY	PART NUMBER	DESCRIPTION	NOTE
1	4	30862	Grommet for Night Lights	
2	1	43952	TLNWLKLED Triple Wiring Harness	Inc Lights
3	1	44864	Control Box Light Bracket	
4	4	HB 3/8-16X1 Z5	Hex Bolt 3/8-16x1 Grade 5 Zinc Plated Hex Cap Screw	
5	5	HB 5/16-18X1 Z5	Hex Bolt 5/16-18x1 Grade 5 Zinc Plated Hex Cap Screw	
6	5	HN 5/16	Hex Nut 5/16"-18 Grade 5 Zinc Plated Finished	
7	4	LN 3/8 N	LN 3/8-16 Zinc Plated Nylon Insert Lock Nut	
8	5	LW 5/16	LW - 5/16" Zinc Plated Medium Split	
9	2	TL5X2-100-201	Light Bracket	
10	1	43953	TLNWLKLED Single Wiring Harness	Inc Light

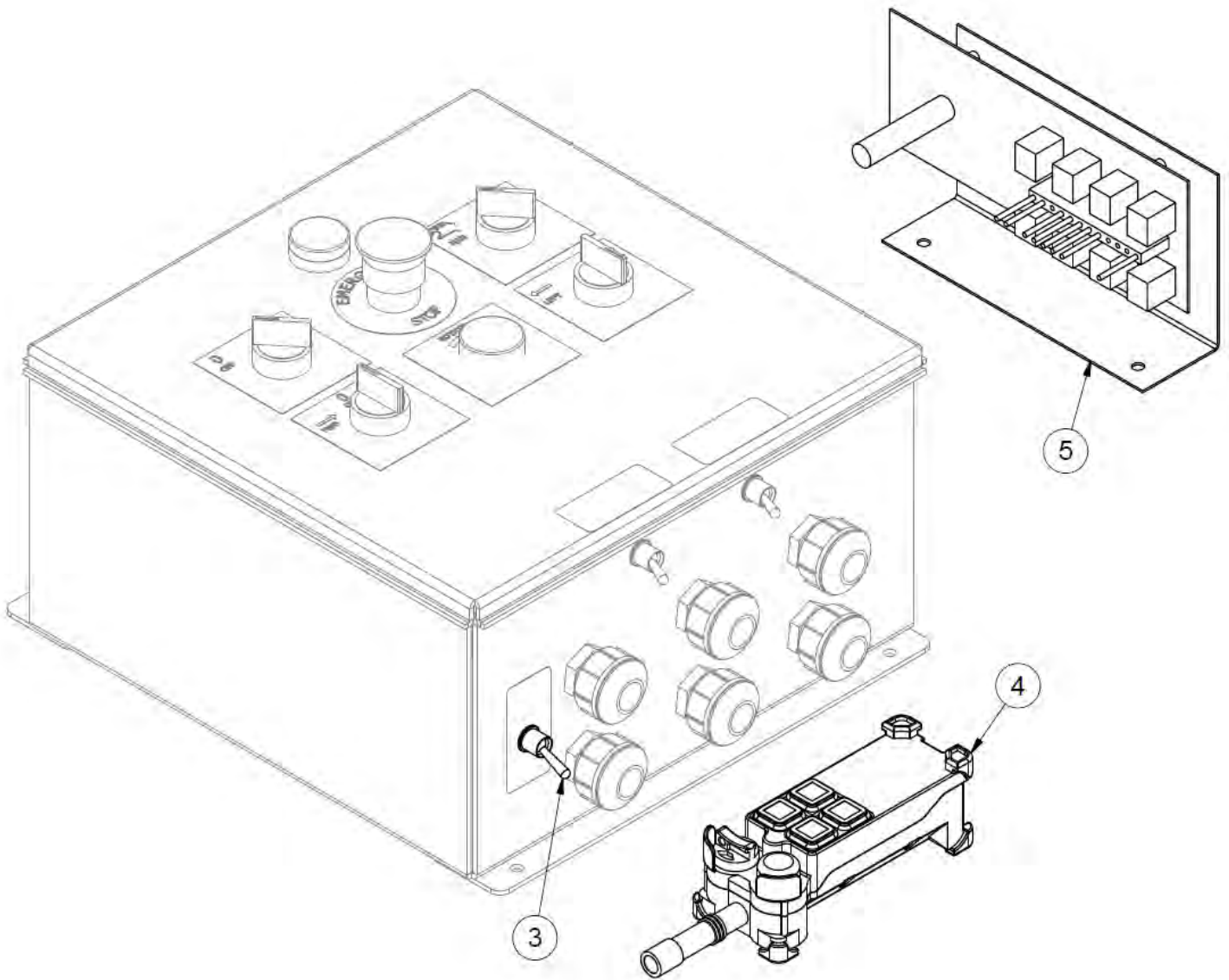
TLNWLK - Halogen Night Light Kit



TLNWLK - Halogen Night Light Kit

ITEM	QTY	PARTNUMBER	DESCRIPTION	NOTE
1	4	30862	Grommet for Night Lights	
2	1	43950	TLNWLK Twin Harness	Inc Lights
3	1	43951	TLNWLK Single Harness	Inc Light
4	3	CB 3/8-16 X1 Z5	Carriage Bolt - 3/8-16 x 1" Grade 5 Zinc	
5	4	HB 3/8-16X1 Z5	Hex Bolt 3/8-16x1 Grade 5 Zinc Plated Hex Cap Screw	
6	3	HB 3/8-24X2.5 Z5	Hex Bolt 3/8-24x2 1/2 Grade 5 Zinc Plated Hex Cap Screw	
7	3	HN 3/8	Hex Nut 3/8"-16 Grade 5 Zinc Plated Finished	
8	3	HN 3/8 JAM	Hex Nut - 3/8-24 Zinc Plated Hex Jam Nut	
9	4	LN 3/8 N	LN 3/8-16 Zinc Plated Nylon Insert Lock Nut	
10	6	LW 3/8	LW - 3/8" Zinc Plated Medium Split	
11	2	TL5X2-100-201	Light Bracket	

TLRSSKX2HD(E) - Remote Control Kits



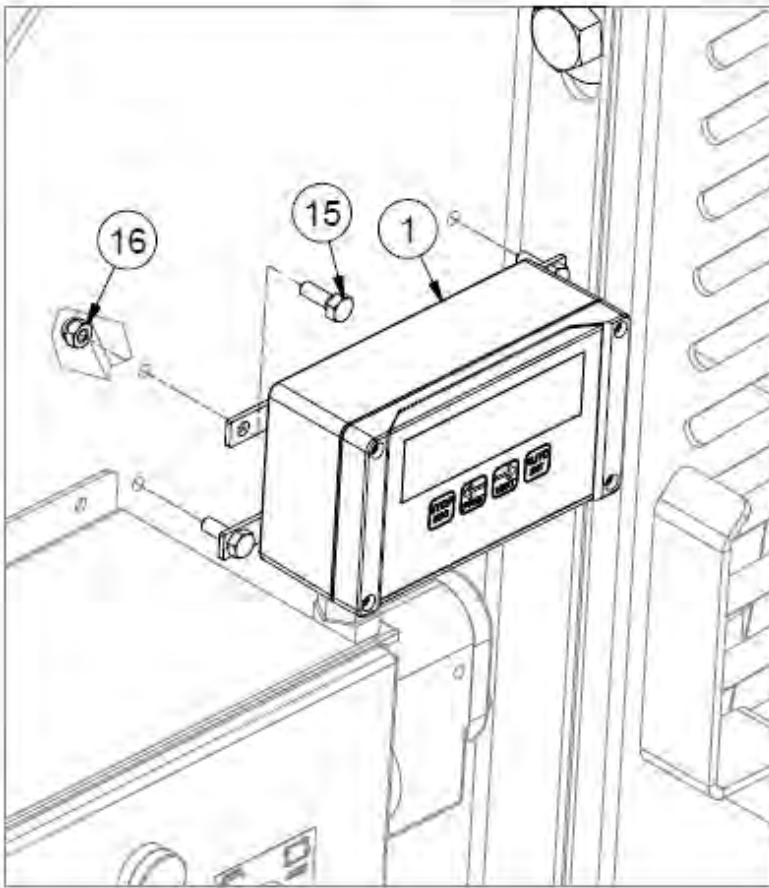
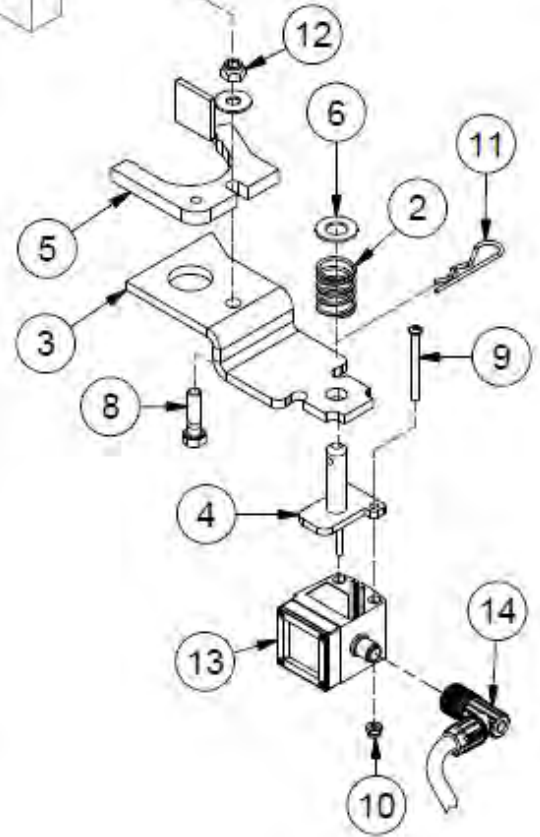
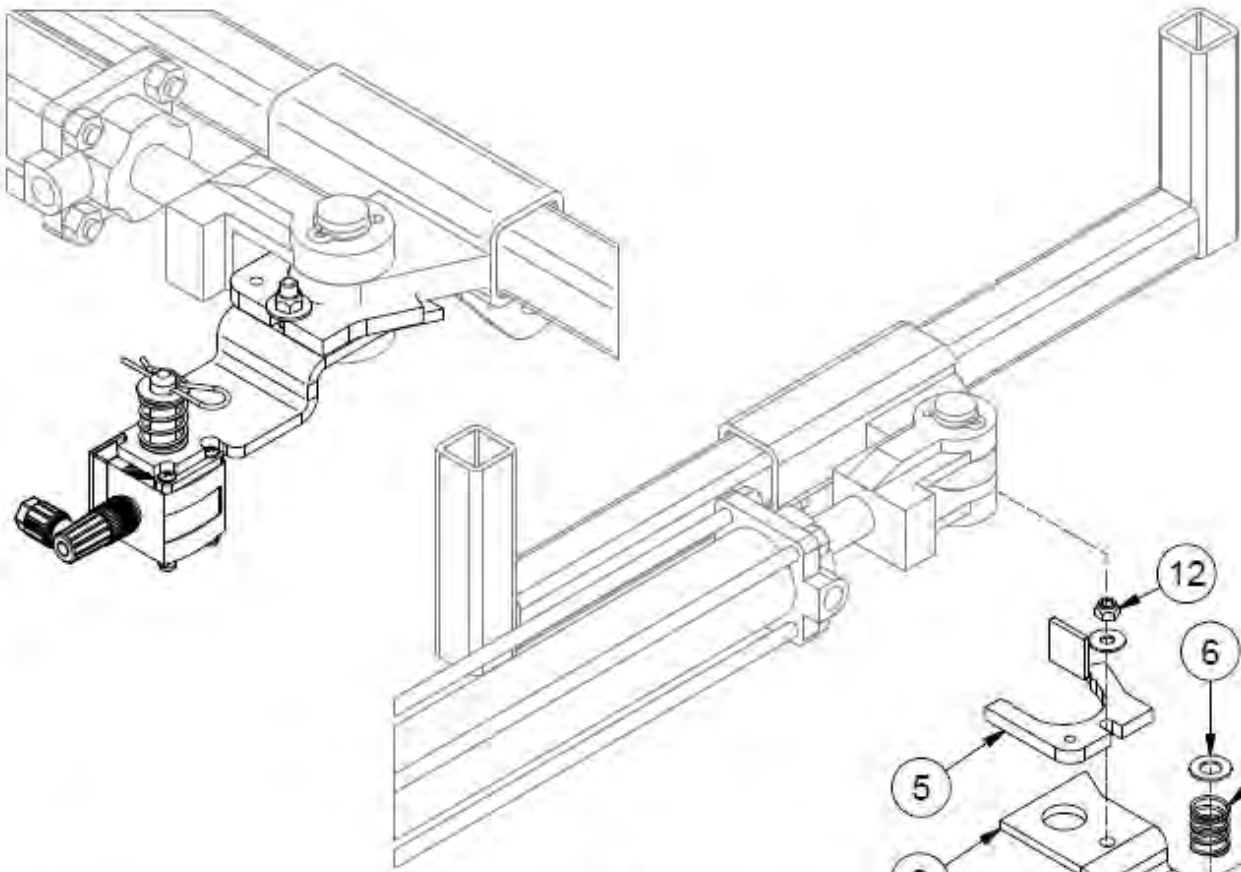
TLRSKKX2HD(E) - Remote Control Kits

ITEM	QTY	PART NUMBER	DESCRIPTION	NOTE
1	1	TLRSSKX2HD	Remote Steering & Shutdown Kit X2 Series	Items 4-5
2	1	TLRSSKX2HDE	Remote Steering & Shutdown Kit X2 Series (Includes Engine Start)	Items 3-5
3	1	31727	Remote Start Stop Kit Wiring Harness for Balewrapper	
4	1	TLHHCX2HD	Hand Held Remote (Orange)	
5	1	TLR SSKX2HDL	Receiver Unit	

TLMPO-5000 - Bale Dispatch Arm

ITEM	QTY	PART NUMBER	DESCRIPTION
1	1	31186	Folding Pushoff Left Arm
2	1	31188	Folding Pushoff
3	1	31192	Top Pushoff Arm Sprocket
4	1	31300	Folding Pushoff Arm Link
5	2	31301	Pushoff Pin
6	1	31302	Rubber Pushoff Pad
7	4	31303	Pin Endcap
8	1	31367	Spring Tension Access Cover
9	1	31369	Last Pushoff Roller
10	1	31385	Pushoff Roller Pivot Pin
11	1	31388	Folding Pushoff Guide Arm
12	1	31395	Tension Spring
13	1	31535	Pushoff Center Pivot Pin
14	1	33230	Torsion Spring
15	1	33231	Folding Pushoff Handle
16	1	36690	HRP 0.188 in
17	3	36942	3/8" #40 Pipe
18	1	EB3/8-16X6.0	Eye Bolt - 3/8-16 x 6" Shank Zinc Plated Turned
19	9	FW 1/2	Flatwasher - 1/2" Zinc Plated USS
20	3	FWSAE 1/2	Flatwasher - 1/2" Zinc Plated USS (1096)
21	1	FW 3/8	Flatwasher - 3/8" Zinc Plated USS
22	7	GR 1/4 X 28	Grease Fitting 1/4-28 Straight Standard Zerk
23	3	HB 1/2X5/8 SS	Socket Head Shoulder Screws - 1/2 Shldr x 5/8 x 3/8-16
24	4	HB 3/8-16X0.75 Z5	Hex Bolt 3/8-16x3/4 Grade 5 Zinc Plated Hex Cap Screw
25	2	HBC1/4X0.5	Hex Bolt Cerrated 1/4-20 x 1/2 Zinc Flange Bolt
26	2	HBC3/8X1	Hex Bolt Cerrated 3/8-16 x 1 Zinc Flange Bolt
27	4	HN 3/8	Hex Nut 3/8"-16 Grade 5 Zinc Plated Finished
28	3	MS 3/8X16X1	Machine Screw - (Inch)
29	1	PP-00685	Rubber Stop
30	2	PP-00686	Wood Screw,#6 x5/8" Roberts end
31	1	RP 1/4 x 1	Pin - Roll Pin 1/4 x 1
32	2	RP 1/4 x 1 1/2	Pin - Roll Pin 1/4 x 1 1/2
33	1	RP 1/4 x 1 1/4	Pin - Roll Pin 1/4 x 1 1/4
34	1	TL550-100-069	Throttle Spring
35	1	39696	Folding Pushoff Right Base
36	1	39697	Folding Pushoff Left Base
37	2	HB 3/4-10X4 Z5	Hex Bolt 3/4-10x4 Grade 5 Zinc Plated Hex Cap Screw
38	2	LN 3/4 N	LN 3/4-10 Zinc Plated Nylon Insert Lock Nut

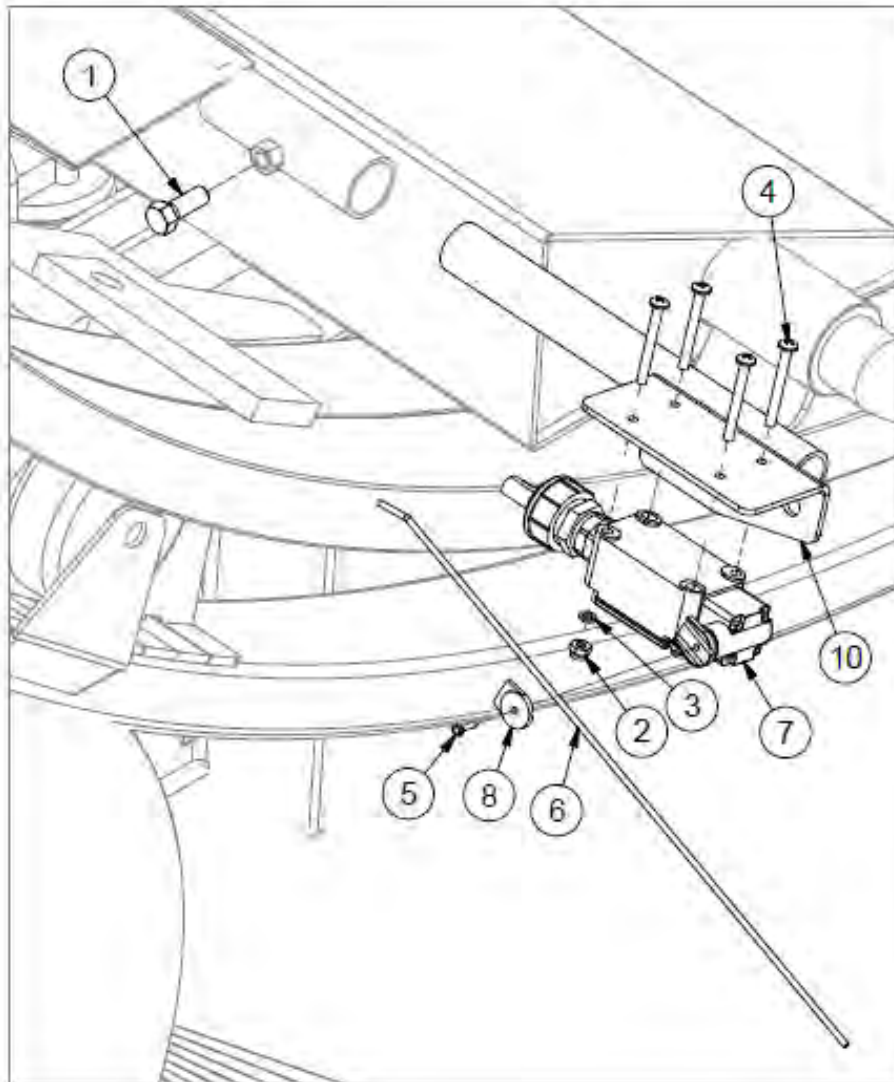
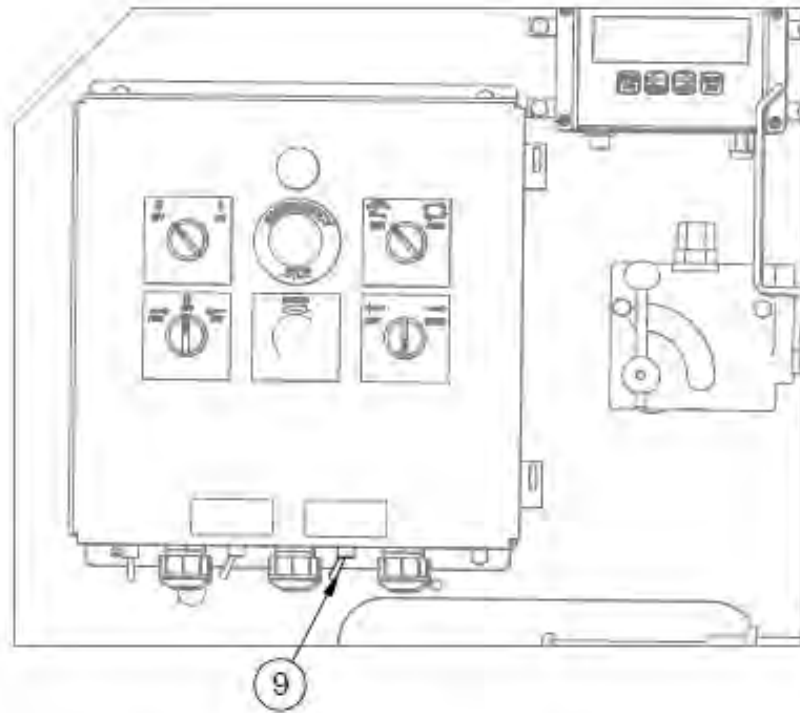
TLGS - Laser Guidance System



TLGs - Laser Guidance System

ITEM	QTY	PART NUMBER	DESCRIPTION
1	1	31380	Guidance System Controller
2	1	27566	Spring Compression .97 OD x 2.0 Long
3	1	39367	Laser Pin Bracket
4	1	39372	Pivot Bracket
5	1	40846	Stiffener Plate
6	1	FW 1/2	Flatwasher - 1/2" Zinc Plated USS (1096)
7	1	FW 5/16	Flatwasher - 5/16" Zinc Plated USS (3840)
8	1	HB 5/16-18X1.1/4 Z5	Hex Bolt - 5/16"-18 x 1 1/4" Grade 5 Zinc Plated Hex Cap Screw
9	2	HB 8-32X32 Z5	Hex Bolt - #8-32 x 2 Zinc Finish Flat Socket Cap Screw
10	2	HN 8	Hex Nut #8-32 Zinc
11	1	HP .125 X 1.5	Hair Pin
12	1	LN 5/16	Center Locknuts
13	1	39387	Wrapper Guiding System Sensor
14	1	40521	Laser Guidance System Power Cable
15	4	HB 1/4-20X0.75 Z5	Hex Bolt 1/4-20x3/4 Grade 5 Zinc Plated Hex Cap Screw
16	4	LN 1/4 N	LN 1/4-20 Zinc Plated Nylon Insert Lock Nut

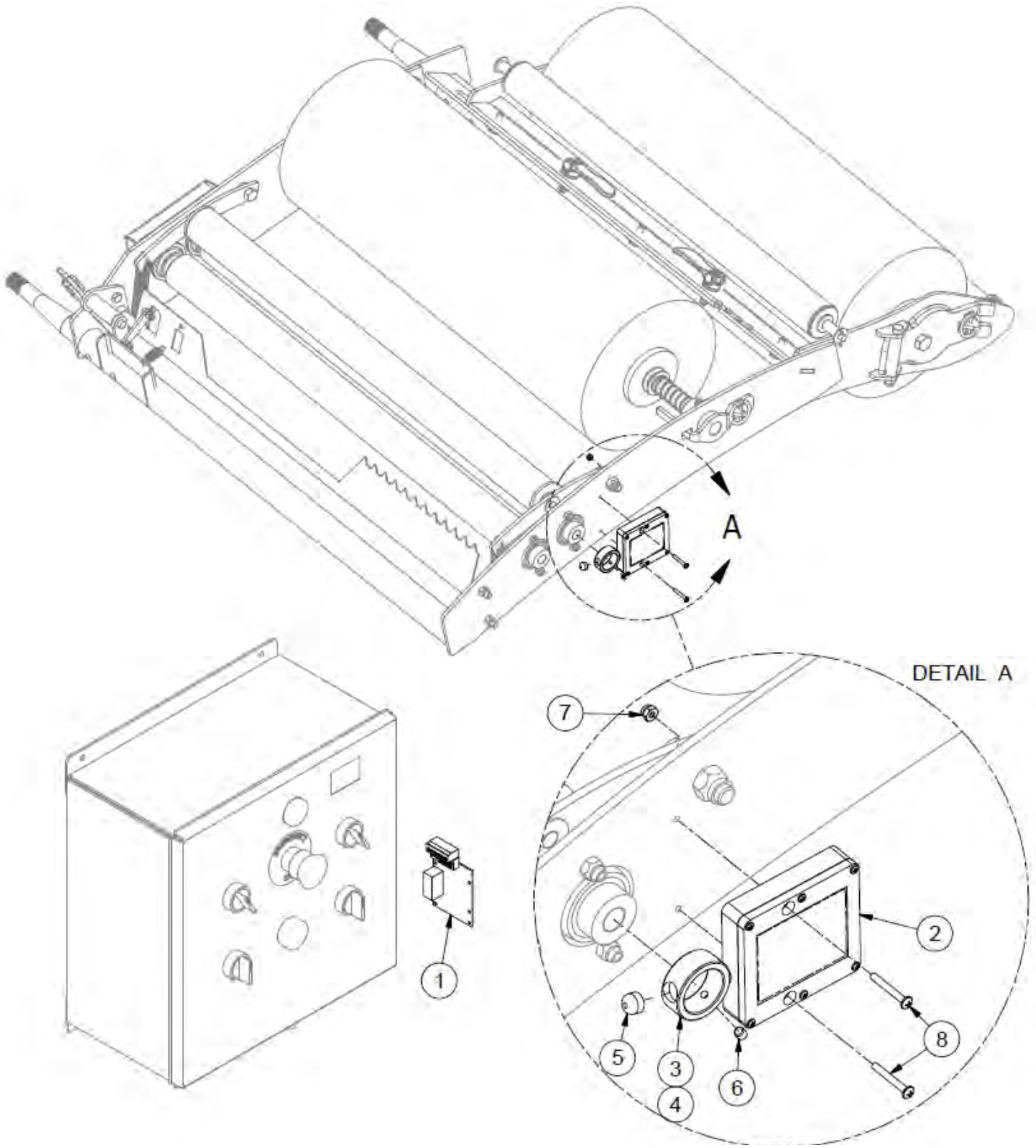
TLPSSK - Plastic Sensor Shutdown Kit



TLPSSK - Plastic Sensor Shutdown Kit

ITEM	QTY	PART NUMBER	DESCRIPTION
1	1	HB 3/8-16X1 Z5	Hex Bolt 3/8-16x1 Grade 5 Zinc Plated Hex Cap Screw
2	4	LN #10 F	Center Locknuts (3/16-32) 2-Way Fine Thread
3	4	LW No.10	LW - 3/16" Zinc Plated Medium Split
4	4	MS #10X32X1.75	Machine Screw - (Inch)
5	1	MS 4 X 0.5 SDS	Machine Screw - 1/8 x 1/2 Hex Washer Head Self Drilling Screw Zinc
6	1	30895	Film Sensor Wire
7	1	TL109-100-348	Film Sensor Limit Switch
8	1	TL550-100-082	Wire Arm Clamp
9	1	TL550-200-235	Toggle Switch
10	1	TLFSB2007	Film Sensor Mounting Bracket

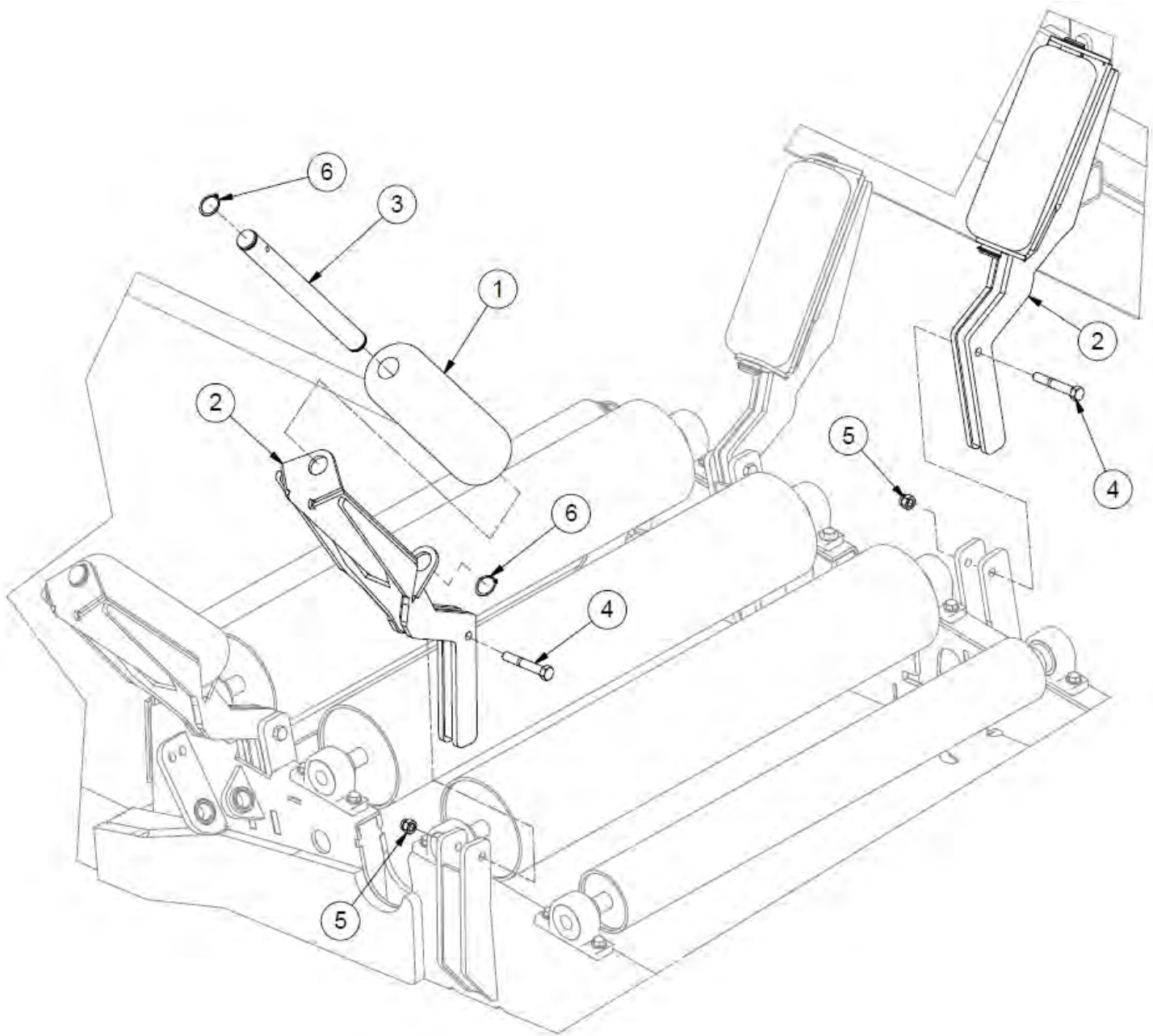
TLPSSKW - Wireless Plastic Sensor Shutdown Kit



TLPSSKW - Wireless Plastic Sensor Shutdown Kit

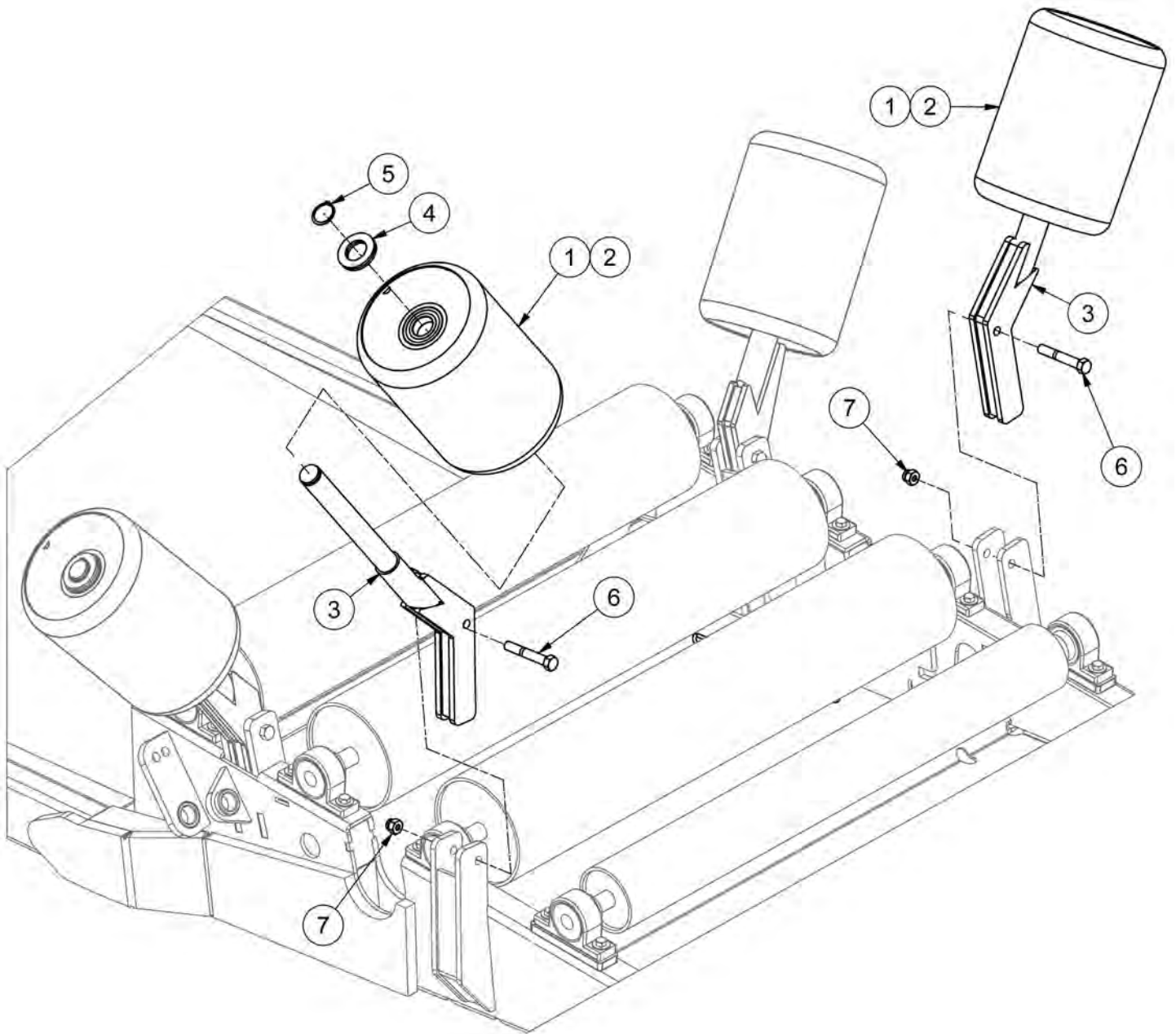
ITEM	QTY	PART NUMBER	DESCRIPTION	NOTE
1	1	41969	Film Sensor Reciever Board	
2	2	41970	Film Sensor Transmitter Board	
3	2	42697	Film Sensor Bushing Assembly	Inc Items 4 - 6
4	2	42698	Film Sensor Bushing	
5	4	42699	1/2" Rare Earth Magnet	
6	2	SS 14X14	Allan Head Set Screw, Cup Point Set Screw 1/4-20 x 1/4	
7	2	LN #8 N	LN 3/16-32 Zinc Plated Nylon Insert Lock Nut	
8	2	MS #8X32X1.25	Machine Screw - (Inch)	

Optional Guide Rollers - TLGR50 - Up to SN 2150L172



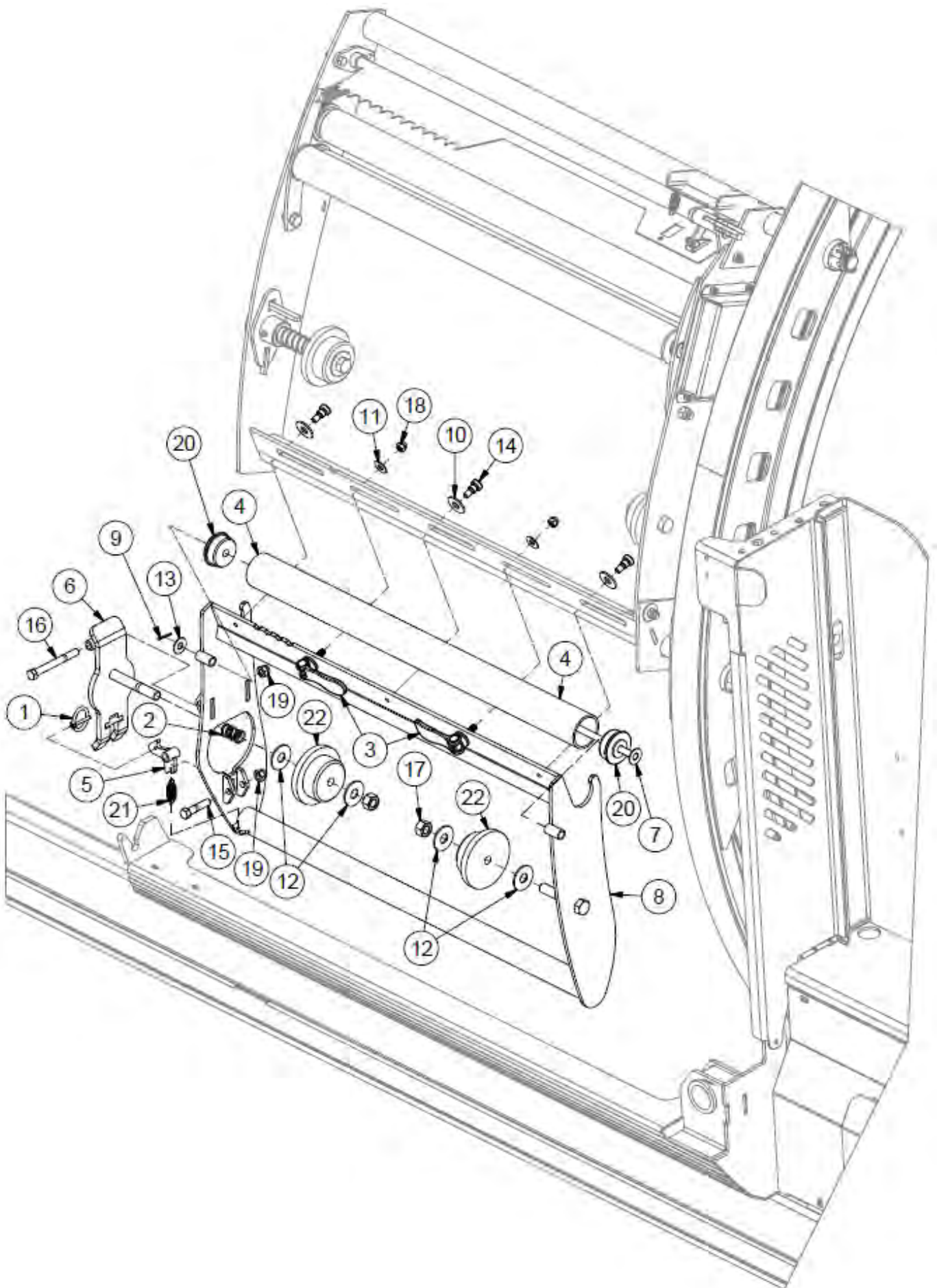
ITEM	QTY	PART NUMBER	DESCRIPTION
1	2	43631	Guide Roller
2	2	43723	Guide Roller Mount
3	2	43808	Guide Roller Shaft
4	2	HB 1/2-13X3.25 Z5	Hex Bolt 1/2-13x3 1/4 Grade 5 Zinc Plated Hex Cap Screw
5	2	LN 1/2 N	LN 1/2-13 Zinc Plated Nylon Insert Lock Nut
6	4	RR 1.188	Retaining Ring-1 3/16- External

Optional Guide Rollers - 48001 - SN 2150L001 to Current



ITEM	QTY	PART NUMBER	DESCRIPTION	NOTE
1	2	46969	Complete Rear Guide Roller Asm	Incl. Items 2-5
2	1	46693	TL50 Steel Bobbin w/Bearings	
3	1	46965	Rear Guide Roller Mount	
4	2	FW 1.1/4	Flatwasher - 1 1/4" Zinc Plated USS	
5	1	RR 1.25	Retaining Ring-1 1/4- External	
6	2	HB1/2-13X3.25Z5	Hex Bolt 1/2-13x3 1/4 Grade 5 Zinc Plated Hex Cap Screw	
7	2	LN1/2-13NCZ5	LN 1/2-13 Zinc Plated Nylon Insert Lock Nut	

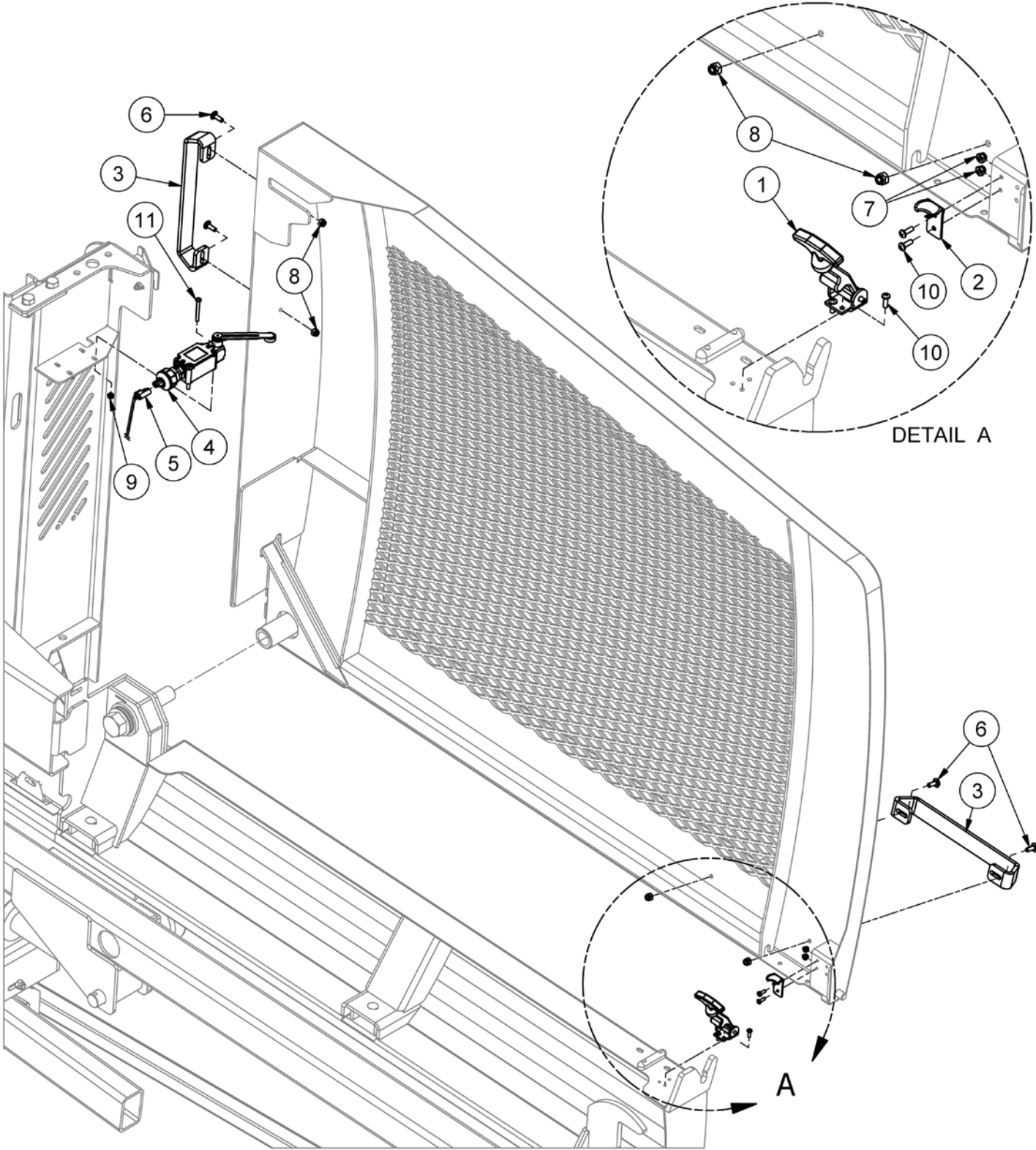
TLTWKOFF - Offset Twin Wrap Kit



TLTWKOFF - Offset Twin Wrap Kit

ITEM	QTY	PART NUMBER	DESCRIPTION	NOTE
	1	TLTWKOFF	Complete Offset Twin Wrap Kit	Inc. 2 of 44277
	2	44277	Offset Twin Wrap Assembly	Items 1-22 (Qty for 1 side only)
1	1	25680	Lynch Pin 3/16 X 1.5	
2	1	41916	Twin Wrap Spring	
3	2	41927	Cam Handle	
4	1	44279	Plastic Roller	
5	1	44280	Latch Hook	
6	1	44281	Spool Latch	
7	1	44282	Twin Wrap Roller Pin	
8	1	44283	Twin Wrap Frame	
9	1	CP 18X1	Pin, Cotter - 1/8" X 1.0"	
10	3	FW 1/2	Flatwasher - 1/2" Zinc Plated USS	
11	2	FW 3/8	Flatwasher - 3/8" Zinc Plated USS	
12	4	FW 5/8	Flatwasher - 5/8" Zinc Plated USS	
13	1	FW 7/16	Flatwasher - 7/16" Zinc Plated USS	
14	3	HB 1/2X3/8 SS	Socket Head Shoulder Screws - 1/2 Shldr x 3/8 x 3/8-16	
15	1	HB 7/16-14X2 Z5	Hex Bolt 7/16-14x2 Grade 5 Zinc Plated Hex Cap Screw	
16	1	HB 7/16-14X4 Z5	Hex Bolt 7/16-14x4 Grade 5 Zinc Plated Hex Cap Screw	
17	2	HN 5/8	Hex Nut 5/8"-11 Grade 5 Zinc Plated Finished	
18	2	LN 3/8 N	LN 3/8-16 Zinc Plated Nylon Insert Lock Nut	
19	2	LN 7/16 N	LN 7/16-14 Zinc Plated Nylon Insert Lock Nut	
20	2	TL500-100-021	Plastic Roller Cap	
21	1	TL500-100-062	Trigger Spring	
22	2	TL550-200-012	Plastic Wrap Spool	

TLOSG - Optional Safety Guard



TLOSG - Optional Safety Guard

ITEM	QTY	PART NUMBER	DESCRIPTION
1	1	38048	Battery Cover Hold Down
2	1	38343	Battery Latch
3	2	44858	Door Handle
4	1	45920	Door Limit Switch
5	1	45949	LSV Right Safety Guard Harness
6	4	CB 1/4-20 X0.75 Z5	Carriage Bolt - 1/4-20 x 3/4" Grade 5 Zinc
7	5	LN #8 N	LN 3/16-32 Zinc Plated Nylon Insert Lock Nut
8	4	LN 1/4 N	LN 1/4-20 Zinc Plated Nylon Insert Lock Nut
9	4	LN 10-24	K-Lok Locknut
10	5	MS #8X32X0.5	Machine Screw - (Inch)
11	4	MS #10X24X1.75	Machine Screw - (Inch)

TLRF - Roadflex Suspension Axle

Not available at time of publication.

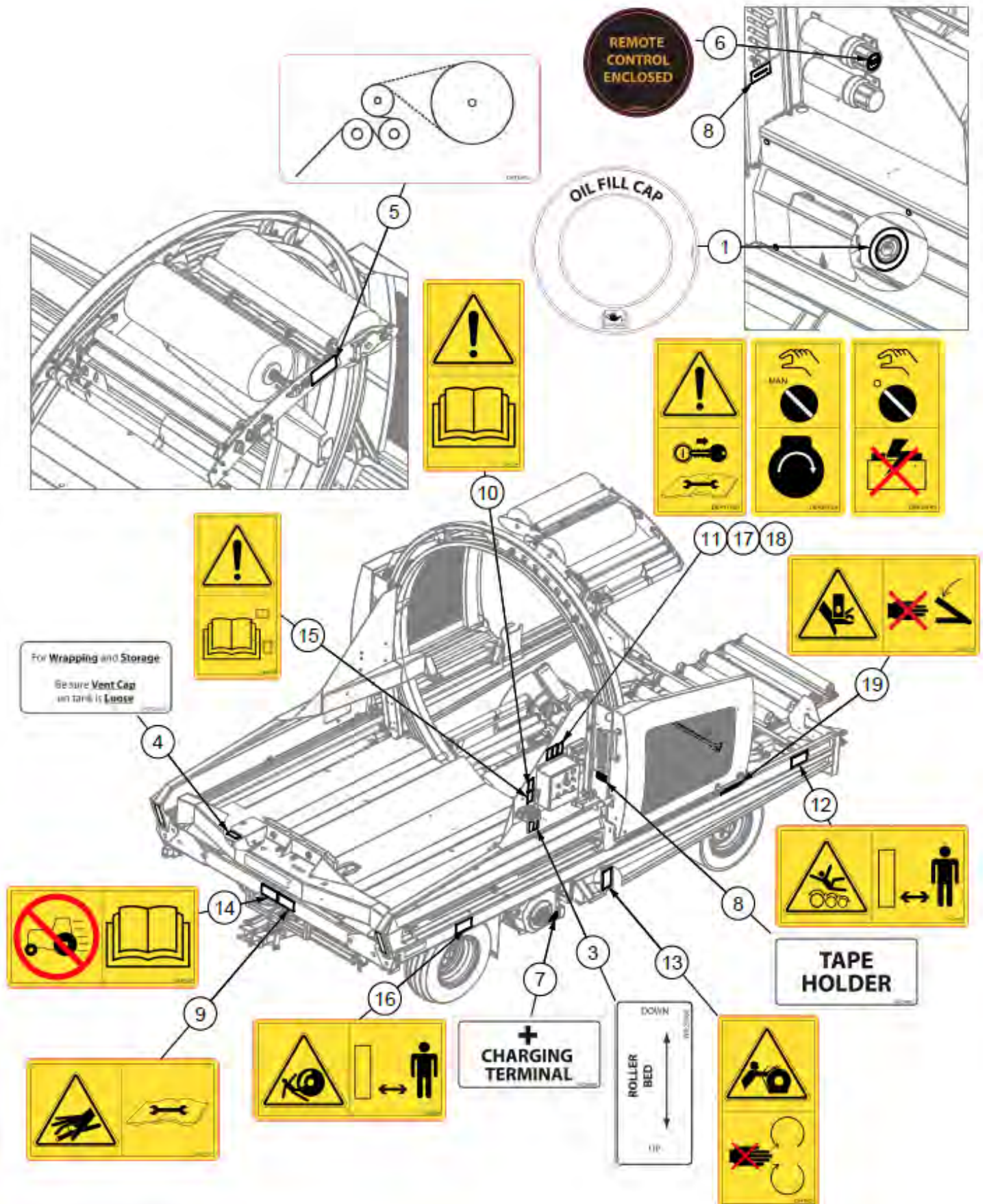
TLRF - Roadflex Suspension Axle

Not available at time of publication.

Section 6: Decals

Safety Decal Locations

NOTE: Decals not to scale.

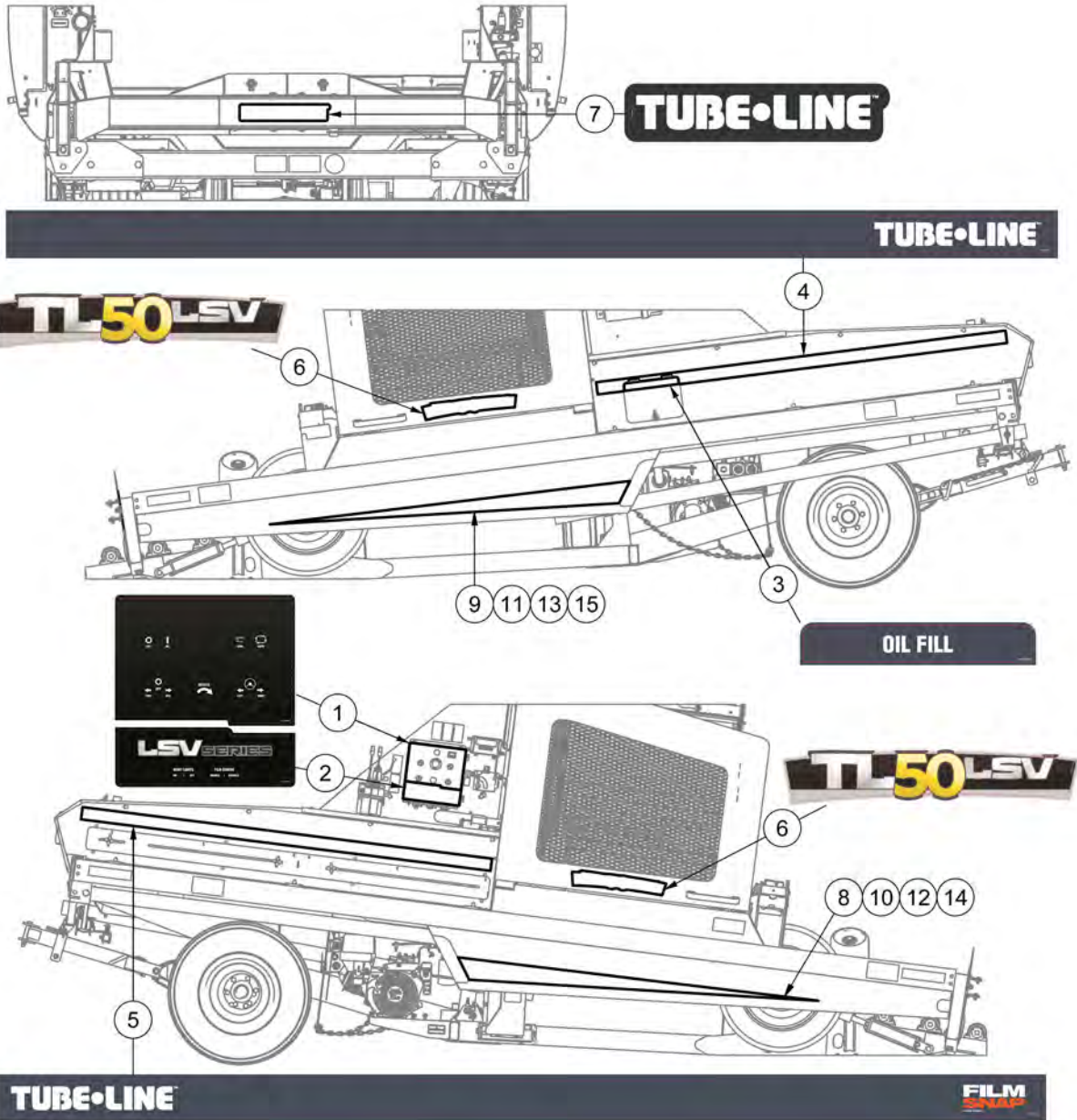


Safety Decal List

ITEM	QTY	PART NUMBER	DESCRIPTION	NOTE
1	1	DE30871	Oil Fill Decal	
2	1	DE23941	Canada/USA Patent Decal	See pg.I
3	1	DE23968	Roller Bed Decal	
4	1	DE23971	Wrapping and Storage Decal	
5	2	DE23974	Wrap Instruction Decal	
6	1	DE30879	Remote Enclosed Decal	
7	1	DE30880	Charging Terminal Decal	
8	2	DE30881	Tape Holder Decal	
9	1	DE41713H	ISO Decal - High Pressure Fluid Horizontal	
10	1	DE41714S	ISO Decal - Read Operator's Manual	
11	1	DE41715S	ISO Decal - Remove Key Before Repair	
12	2	DE41921	ISO Decal - Do Not Stand on Rollers	
13	1	DE41925	ISO Decal - Hoop Wheel Entanglement	
14	1	DE41935H	ISO Decal - Transport Speed Limit	
15	1	DE42784S	ISO Decal - Read OM Decal Section	
16	2	DE43049	ISO Decal - Wheel Crush	
17	1	DE43873S	ISO Decal - Engine Start in MAN	
18	1	DE43874S	ISO Decal - Panel OFF Before Boosting	
19	1	DE43875H	ISO Decal - Hand Crush	
20	1	DECANADA	Decal Made In Canada	See pg.I

NOTE: See Operator's Manual for in depth decal explanations.











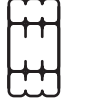
Model Decal Locations



Model Decal List

ITEM	QTY	PART NUMBER	DESCRIPTION
1	1	DE44827	LSV Control Panel Top Decal
2	1	DE44860	LSV Control Panel Bottom Decal
3	1	DE43760	TL50 Oil Fill Decal
4	1	DE43761	TL50 Right Side Decal
5	1	DE43762	TL50 Left Side Decal
6	2	DE43766	TL50LSV Model Decal
7	1	DE44845	2019 Tubeline Decal
8	1	DE44867	Standard Brand Left Decal
9	1	DE44868	Standard Brand Right Decal
10	1	DE44852	Silver Brand Left Decal
11	1	DE44853	Silver Brand Right Decal
12	1	DE44854	Gold Brand Left Decal
13	1	DE44855	Gold Brand Right Decal
14	1	DE44856	Platinum Brand Left Decal
15	1	DE44857	Platinum Brand Right Decal

Imperial Torque Value Chart

SAE Grade and Head Markings	1 or 2 ^b	5	5.1	5.2	8	8.2
	NO MARK 					
SAE Grade and Nut Markings	2	5		8		
	NO MARK 					

Size	Grade 1				Grade 2 ^b				Grade 5, 5.1, or 5.2				Grade 8 or 8.2			
	Lubricated ^a		Dry ^a		Lubricated ^a		Dry ^a		Lubricated ^a		Dry ^a		Lubricated ^a		Dry ^a	
	N-m	lb-ft	N-m	lb-ft	N-m	lb-ft	N-m	lb-ft	N-m	lb-ft	N-m	lb-ft	N-m	lb-ft	N-m	lb-ft
1/4	3.7	2.8	4.7	3.5	6	4.5	7.5	5.5	9.5	7	12	9	13.5	10	17	12.5
5/16	7.7	5.5	10	7	12	9	15	11	20	15	25	18	28	21	35	26
3/8	14	10	17	13	22	16	27	20	35	26	44	33	50	36	63	46
7/16	22	16	28	20	35	26	44	32	55	41	70	52	80	58	100	75
1/2	33	25	42	31	53	39	67	50	85	63	110	80	120	90	150	115
9/16	48	36	60	45	75	56	95	70	125	90	155	115	175	130	225	160
5/8	67	50	85	62	105	78	135	100	170	125	215	160	240	175	300	225
3/4	120	87	150	110	190	140	240	175	300	225	375	280	425	310	550	400
7/8	190	140	240	175	190	140	240	175	490	360	625	450	700	500	875	650
1	290	210	360	270	290	210	360	270	725	540	925	675	1050	750	1300	975
1-1/8	400	300	510	375	400	300	510	375	900	675	1150	850	1450	1075	1850	1350
1-1/4	570	425	725	530	570	425	725	530	1300	950	1650	1200	2050	1500	2600	1950
1-3/8	750	550	950	700	750	550	950	700	1700	1250	2150	1550	2700	2000	3400	2550
1-1/2	1000	725	1250	925	990	725	1250	930	2250	1650	2850	2100	3600	2650	4550	3350

DO NOT use these values if a different torque value or tightening procedure is given for a specific application. Torque values listed are for general use only. Check tightness of fasteners periodically.

Shear bolts are designed to fail under predetermined loads. Always replace shear bolts with identical grade.

Fasteners should be replaced with the same or higher grade. If higher grade fasteners are used, these should only be tightened to the strength of the original.

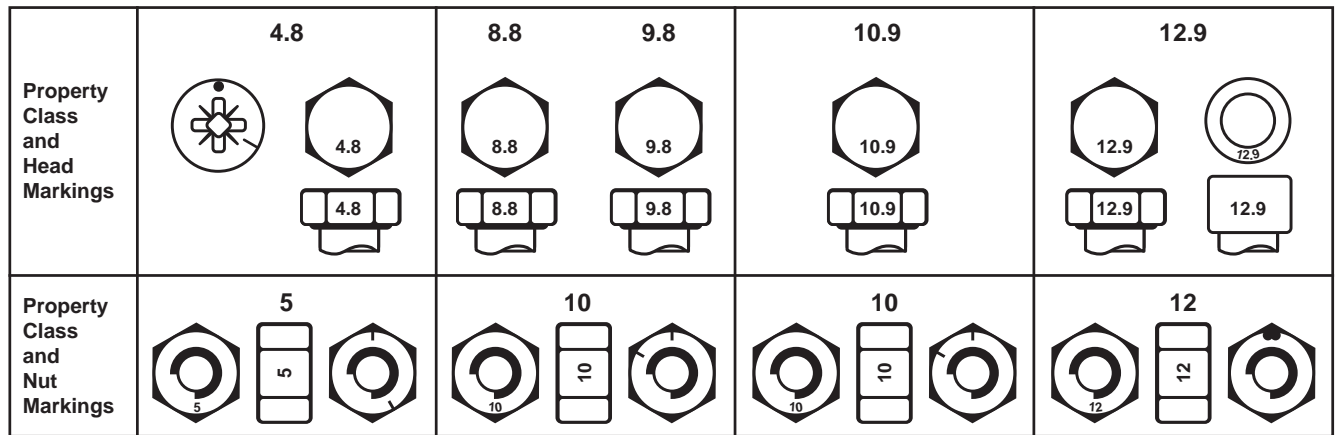
Make sure fasteners threads are clean and that you properly start thread engagement. This will prevent them from failing when tightening.

Tighten plastic insert or crimped steel-type lock nuts to approximately 50 percent of the dry torque shown in the chart, applied to the nut, not to the bolt head. Tighten toothed or serrated-type lock nuts to the full torque value.

^a "Lubricated" means coated with a lubricant such as engine oil, or fasteners with phosphate and oil coatings. "Dry" means plain or zinc plated without any lubrication.

^b Grade 2 applies for hex cap screws (not hex bolts) up to 152 mm (6-in.) long. Grade 1 applies for hex cap screws over 152 mm (6-in.) long, and for all other types of bolts and screws of any length.

Metric Torque Value Chart



Size	Class 4.8				Class 8.8 or 9.8				Class 10.9				Class 12.9			
	Lubricated ^a		Dry ^a		Lubricated ^a		Dry ^a		Lubricated ^a		Dry ^a		Lubricated ^a		Dry ^a	
	N-m	lb-ft	N-m	lb-ft	N-m	lb-ft	N-m	lb-ft	N-m	lb-ft	N-m	lb-ft	N-m	lb-ft	N-m	lb-ft
M6	4.8	3.5	6	4.5	9	6.5	11	8.5	13	9.5	17	12	15	11.5	19	14.5
M8	12	8.5	15	11	22	16	28	20	32	24	40	30	37	28	47	35
M10	23	17	29	21	43	32	55	40	63	47	80	60	75	55	95	70
M12	40	29	50	37	75	55	95	70	110	80	140	105	130	95	165	120
M14	63	47	80	60	120	88	150	110	175	130	225	165	205	150	260	190
M16	100	73	125	92	190	140	240	175	275	200	350	255	320	240	400	300
M18	135	100	175	125	260	195	330	250	375	275	475	350	440	325	560	410
M20	190	140	240	180	375	275	475	350	530	400	675	500	625	460	800	580
M22	260	190	330	250	510	375	650	475	725	540	925	675	850	625	1075	800
M24	330	250	425	310	650	475	825	600	925	675	1150	850	1075	800	1350	1000
M27	490	360	625	450	950	700	1200	875	1350	1000	1700	1250	1600	1150	2000	1500
M30	675	490	850	625	1300	950	1650	1200	1850	1350	2300	1700	2150	1600	2700	2000
M33	900	675	1150	850	1750	1300	2200	1650	2500	1850	3150	2350	2900	2150	3700	2750
M36	1150	850	1450	1075	2250	1650	2850	2100	3200	2350	4050	3000	3750	2750	4750	3500

DO NOT use these values if a different torque value or tightening procedure is given for a specific application. Torque values listed are for general use only. Check tightness of fasteners periodically.

Shear bolts are designed to fail under predetermined loads. Always replace shear bolts with identical property class.

Fasteners should be replaced with the same or higher property class. If higher property class fasteners are used, these should only be tightened to the strength of the original.

Make sure fasteners threads are clean and that you properly start thread engagement. This will prevent them from failing when tightening.

Tighten plastic insert or crimped steel-type lock nuts to approximately 50 percent of the dry torque shown in the chart, applied to the nut, not to the bolt head. Tighten toothed or serrated-type lock nuts to the full torque value.

^a "Lubricated" means coated with a lubricant such as engine oil, or fasteners with phosphate and oil coatings. "Dry" means plain or zinc plated without any lubrication.

Index

13hp Throttle Linkage2-5
20hp Throttle Linkage2-6
Bale Deck	1-24
Battery4-3
Control Panel4-1
Cylinder Supports	1-16
Front Corners	1-18
Front Pushoff	1-22
Hoop1-2
Hoop Drive1-4
Hydraulic Layout - Front Circuits3-1
Hydraulic Layout - Rear Circuits3-3
Hydraulic Manifold3-7
Hydraulic Manifold Connections3-9
Hydraulic Oil Tank3-5
Imperial Torque Value Chart7-1
Inline Wrapper 3 Year Limited Warranty Statement (<i>Excludes Individual Wrapper</i>)	//
Left Hoop Brace1-8
Maintenance Guard	1-14
Manuals I
Metric Torque Value Chart8-1
Model Decal List6-4
Model Decal Locations6-3
Optional Guide Rollers - 48001 - SN 2150L001 to Current	5-23
Optional Guide Rollers - TLGR50 - Up to SN 2150L172	5-22
Part Orders I
Parts Manual I
Parts Manual Usage I
Plastic Film Carrier1-6
Rear Axle	1-32
Rear Light Brackets	1-36
Right Hoop Brace	1-10
Roller Bed	1-30
Running Lights4-5
Safety Decal List6-2
Safety Decal Locations6-1
Safety Guard	1-12
Section 1: Basic Parts1-1
Section 2: Engines2-1
Section 3: Hydraulics3-1
Section 4: Electrical4-1
Section 5: Options5-1
Section 6: Decals6-1
Serial Number I

Side Rails	1-20
Standard Guide Rollers - 48001 - SN 2150L001 to Current	1-39
Standard Guide Rollers - TLGR50 - Up to SN 2050L172	1-38
Steering.	1-28
Table Trigger	1-26
TL13HP - 13hp Honda2-1
TL20HP - 20hp Honda2-3
TL109-100-355 - Parking Brake	1-34
TL109-100-360 - Dual Power Drive Bracket5-6
TLGS - Laser Guidance System	5-16
TLHPD5000 - Single Power Drive5-2
TLHPDD5000 - Dual Power Drive5-4
TLMPO-5000 - Bale Dispatch Arm	5-14
TLNWLK - Halogen Night Light Kit	5-10
TLNWLKLED - LED Night Light Kit5-8
TLOSG - Optional Safety Guard	5-26
TLPSSK - Plastic Sensor Shutdown Kit	5-18
TLPSSKW - Wireless Plastic Sensor Shutdown Kit	5-20
TLRF - Roadflex Suspension Axle	5-28
TLRSSKX2HD(E) - Remote Control Kits	5-12
TLTWKOFF - Offset Twin Wrap Kit	5-24

CALIFORNIA

Proposition 65 Warning

Battery posts, terminals, and similar parts may contain lead which are known to the State of California to cause cancer and reproductive harm.
Wear gloves and wash hands after handling.



WARNING

The engine exhaust from this product contains chemicals known in the state of California to cause cancer, birth defects, or other reproductive harm.

TUBE•LINE™