

# TUBE•LINE™

Tubeline Manufacturing Limited  
6455 Reid Woods Drive RR #4  
Elmira, Ontario, Canada N3B 2Z3

Email: [sales@tubeline.ca](mailto:sales@tubeline.ca)

Fax: 519.669.5808

Tel: 519.669.9488

Toll-free (North America): 1.888.856.6613

[www.tubeline.ca](http://www.tubeline.ca)

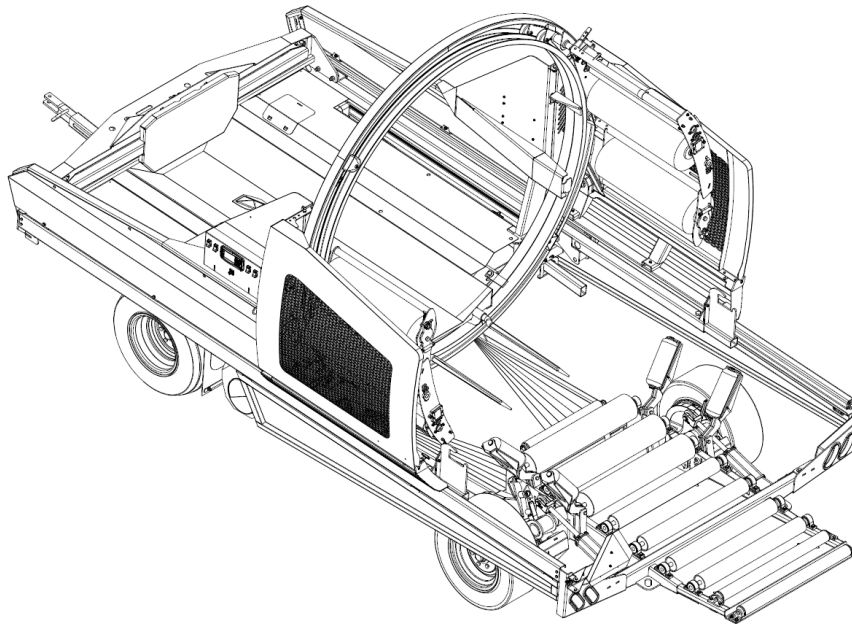
# Parts Manual

Keep this manual with the machine at all times.

## TL50 ECV

### Balewrapper

# TL50 ECV



# Parts Manual

Thank you for choosing the Tubeline TL50ECV Balewrapper. Our hope is that it will give you many years of productive service. This machine is designed to wrap bales in a continual line with plastic film.

## Parts Manual Usage

This parts manual is used to order replacement parts by means of part breakdowns and their corresponding part lists. Each page contains a different range of integrated parts. Each illustration visually represents machine components. The part lists contain information needed to order replacement parts. Part lists include the following columns:

**ITEM** - Number matching parts breakdown balloons.

**QTY** - Quantity of components included in this breakdown, not entire machine.

**PART NUMBER** - The number to be used when placing an order.

**DESCRIPTION** - Term used to confirm its matching part number.

**NOTE** - Column may be added to part lists when a serial break or additional information is required.

Remember to always have your machine model and serial number on hand when ordering parts.

## Part Orders

Part orders are taken by your local Tubeline dealer and fulfilled through a regional distributor. For quick service please record your dealer name and contact information in the [Serial Number](#) section.

## Manuals

Parts manuals are printed and shipped with machines as they leave the manufacturer. Your machine may include parts or features not yet included in the initially shipped manual. The latest manual version can be found at [www.tubeline.ca/support](http://www.tubeline.ca/support). Tubeline reserves the right to update and change manuals as seen fit. Dealers are informed of any pressing changes/ modifications. They can help you with any questions regarding replacement parts.

## Serial Number

The implement serial number is located on the front left corner of the frame. (See below) This number helps us to track changes and improvements and must be mentioned when ordering parts or requesting service. For your convenience, a space has been provided inside the front cover of this manual to record the serial number, model number, purchase date, and dealer name.

Model No: \_\_\_\_\_

Serial No: \_\_\_\_\_

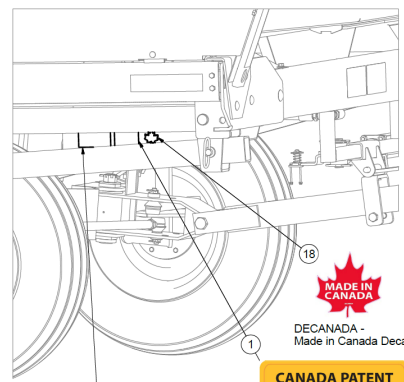
Date Purchased: \_\_\_\_\_

Dealer Name: \_\_\_\_\_

Dealer Contact: \_\_\_\_\_

Engine Model No: \_\_\_\_\_

Engine Serial No: \_\_\_\_\_





### **Inline Wrapper 3 Year Limited Warranty Statement** *(Excludes Individual Wrapper)*

All Equipment is sold subject to mutual agreement that it is warranted by Tube-Line Manufacturing Ltd (hereinafter the company) to be free from defects in material and workmanship. The company's liability shall be limited exclusively to the original owner to replace or repair without charge, at its factory or elsewhere, at its discretion, any defects in material or workmanship which become apparent in the first year from the date on which the equipment was purchased. In the second and third year the company will supply at no charge replacement of defective parts only. Installation and freight will be at the expense of the owner.

Components supplied by third parties and not manufactured by the company will carry such warranty as extended by such parties, such as but not limited to, tires, batteries, electrical components, hydraulics and engines.

The buyer by the acceptance of the equipment will assume all liability for any damages which may result from accident, abuse or misuse by his employees or others. Any equipment that has been altered or modified without prior written authorization by the company will render the warranty null and void.

No employee or representative of the company is authorized to make changes to this warranty or grant additional warranty terms unless authorized in writing by management of the company.

The company shall not be liable for special, indirect or consequential damages of any kind including but not limited to, loss of revenue, rental replacement costs or other losses.

Normal wear and tear from normal use of the equipment is not warranted. The end user is expected to maintain and service the equipment in accordance with accepted practices. Failure to do so will void the terms of this warranty.

Warranty coverage is null and void unless Warranty Registration form has been completely filled in and is on file at Tube-Line Manufacturing Ltd.

**NOTE:** Latest manual version can be found at [www.tubeline.ca/support](http://www.tubeline.ca/support)

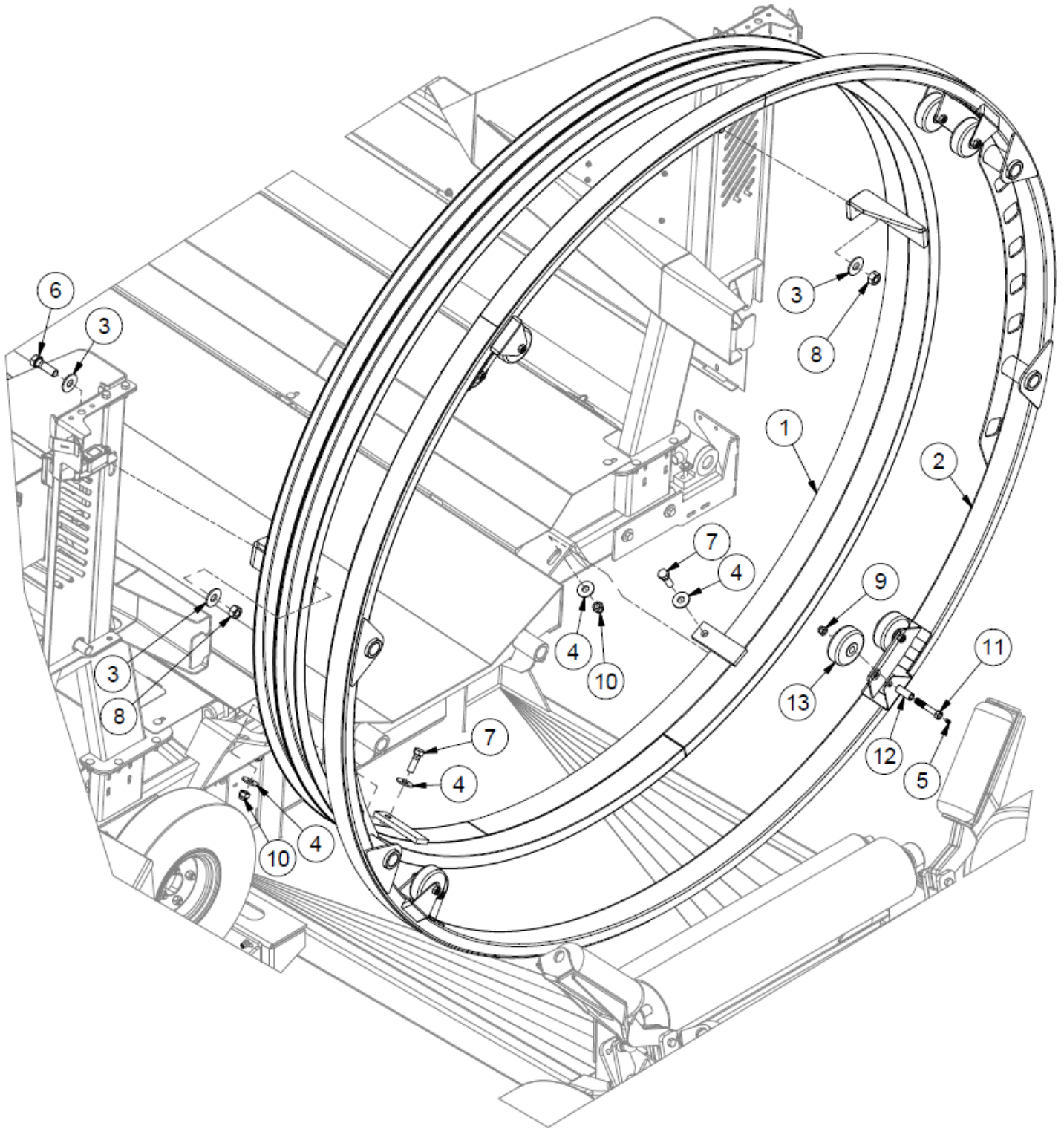
# Table of Contents

|   |            |
|---|------------|
| <b>Parts Manual</b>   | <b>I</b>   |
| Parts Manual Usage  | I          |
| Part Orders   | I          |
| Manuals   | I          |
| Serial Number   | I          |
| Inline Wrapper 3 Year Limited Warranty Statement ( <i>Excludes Individual Wrapper</i> ) | II         |
| <b>Section 1: Basic Parts</b>   | <b>1-1</b> |
| Hoop  | 1-2        |
| Hoop Drive  | 1-4        |
| Plastic Film Carrier  | 1-6        |
| Left Hoop Brace   | 1-8        |
| Right Hoop Brace  | 1-10       |
| Safety Guard  | 1-12       |
| Maintenance Guard   | 1-14       |
| Cylinder Supports   | 1-16       |
| Front Corners   | 1-18       |
| Side Rails  | 1-20       |
| Front Pushoff   | 1-22       |
| Bale Deck   | 1-24       |
| Steering  | 1-26       |
| Roller Bed  | 1-28       |
| Rear Axle   | 1-30       |
| Parking Brake   | 1-32       |
| Rear Light Brackets   | 1-34       |
| Guide Rollers - Standard  | 1-36       |
| <b>Section 2: Engines</b>   | <b>2-1</b> |
| TL13HP - 13hp Honda   | 2-1        |
| TL20HP - 20hp Honda   | 2-3        |
| 13hp Throttle Linkage   | 2-5        |
| 20hp Throttle Linkage   | 2-7        |
| <b>Section 3: Hydraulics</b>  | <b>3-1</b> |
| Hydraulic Layout - Front Circuits   | 3-1        |
| Hydraulic Layout - Rear Circuits  | 3-3        |
| Hydraulic Oil Tank  | 3-5        |
| Hydraulic Manifold Mount  | 3-7        |
| Hydraulic Manifold Connections  | 3-8        |
| Hydraulic Manifold Valves   | 3-9        |
| <b>Section 4: Electrical</b>  | <b>4-1</b> |
| Control Panel   | 4-1        |
| Main Electrical Harness   | 4-3        |
| Battery   | 4-5        |
| Speed Sensor  | 4-7        |
| Table Trigger   | 4-9        |

|  |            |
|--|------------|
| <b>Section 5: Options</b>                          | <b>5-1</b> |
| TLHPD5000ECV - Single Power Drive                  | 5-2        |
| TLHPDD5000ECV - Dual Power Drive                   | 5-4        |
| TLNWLKLED-ECV - LED Night Light Kit                | 5-6        |
| TLNWLK-ECV - Halogen Night Light Kit               | 5-8        |
| TLRSSKX2HDECV - Remote Control Kit                 | 5-10       |
| TLMPO-5000 - Bale Dispatch Arm                     | 5-12       |
| TLGSECV - Laser Guidance System                    | 5-14       |
| TLPSSK-ECV - Plastic Sensor Shutdown Kit           | 5-16       |
| TLPSSKWEVCV - Wireless Plastic Sensor Shutdown Kit | 5-18       |
| TLGR50 - Optional Guide Rollers                    | 5-20       |
| TLTWKOFF - Offset Twin Wrap Kit                    | 5-22       |
| TLRF - Roadflex Suspension Axle                    | 5-24       |
| <b>Section 6: Decals</b>                           | <b>6-1</b> |
| Safety Decal Locations                             | 6-1        |
| Safety Decal List                                  | 6-2        |
| <b>Imperial Torque Value Chart</b>                 | <b>7-1</b> |
| <b>Metric Torque Value Chart</b>                   | <b>8-1</b> |

# Section 1: Basic Parts

# Hoop

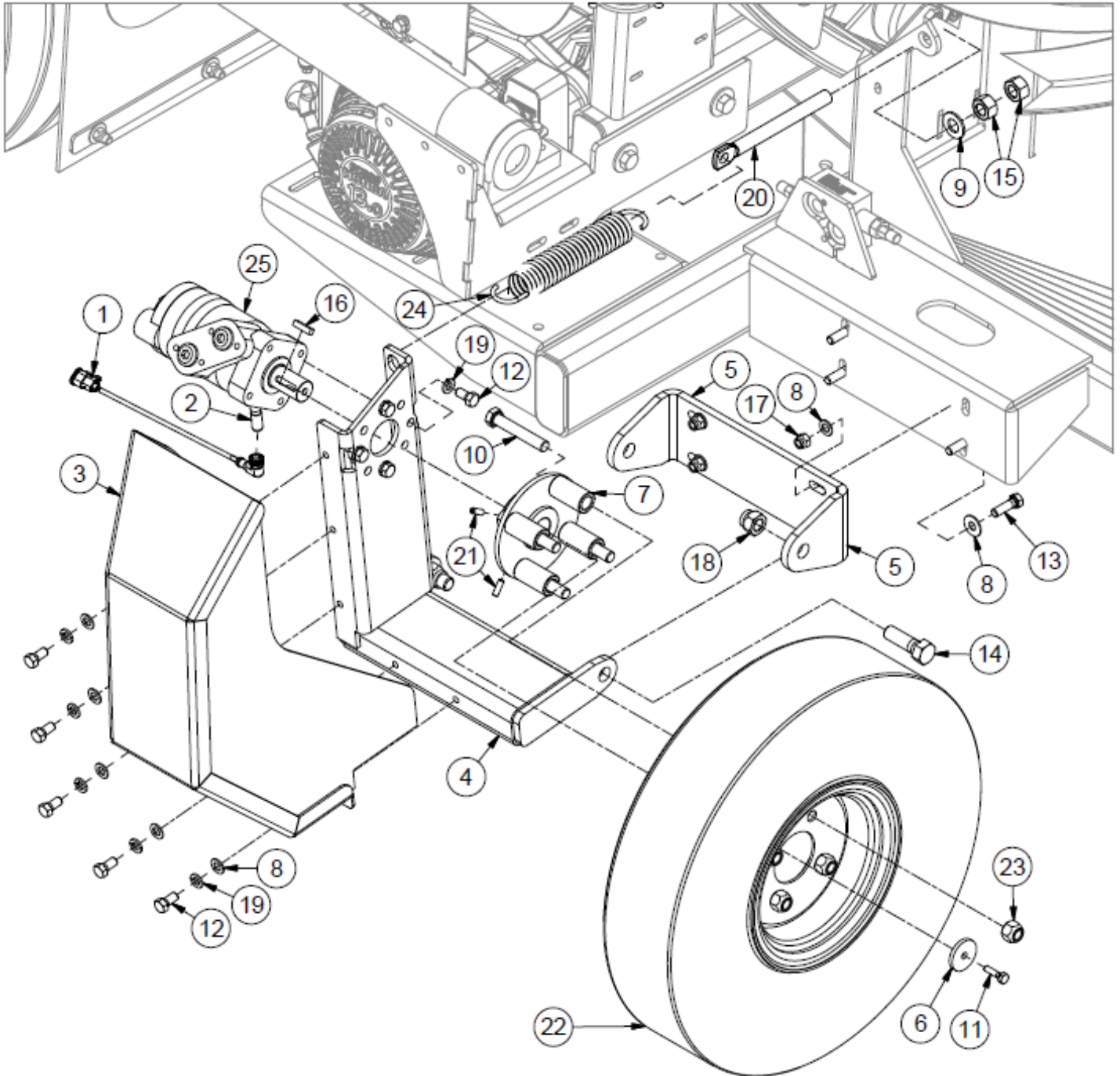


## Hoop

| ITEM | QTY | PART NUMBER      | DESCRIPTION   |
|------|-----|------------------|---|
| 1    | 1   | 44258            | Large 5000 Inner Hoop                                   |
| 2    | 1   | 44265            | Large 5000 Outer Hoop                                   |
| 3    | 2   | FW 3/4           | Flatwasher - 3/4" Zinc Plated USS                       |
| 4    | 4   | FW 5/8           | Flatwasher - 5/8" Zinc Plated USS                       |
| 5    | 8   | GR 1/4 X 28      | Grease Fitting 1/4-28 Straight-Standard Zerk            |
| 6    | 2   | HB 3/4-10X2.5 Z5 | Hex Bolt 3/4-10x2 1/2 Grade 5 Zinc Plated Hex Cap Screw |
| 7    | 2   | HB 5/8-11X2 Z5   | Hex Bolt 5/8-11x2 Grade 5 Zinc Plated Hex Cap Screw     |
| 8    | 2   | HN 3/4           | Hex Nut 3/4"-10 Grade 5 Zinc Plated Finished            |
| 9    | 8   | LN 1/2 N         | LN 1/2-13 Zinc Plated Nylon Insert Lock Nut             |
| 10   | 2   | LN 5/8 N         | LN 5/8-11 Zinc Plated Nylon Insert Lock Nut             |
| 11   | 8   | TL500-100-015    | Hoop Wheel Axle Bolt                                    |
| 12   | 8   | TL550-200-016    | Spanner   |
| 13   | 8   | TLWHEEL01        | Hoop Wheel  |



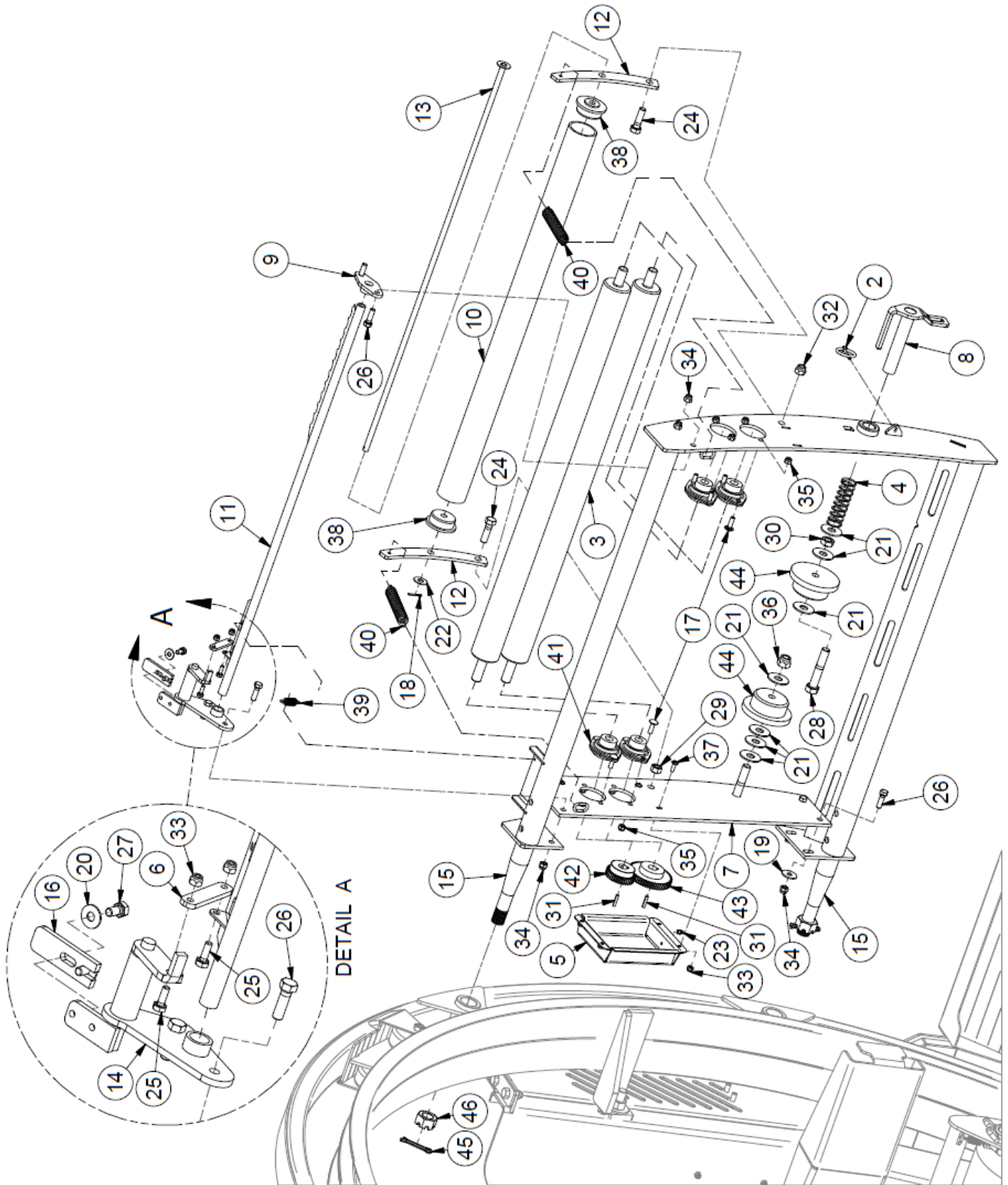
# Hoop Drive



## Hoop Drive

| ITEM | QTY | PART NUMBER          | DESCRIPTION   |
|------|-----|----------------------|---|
| 1    | 1   | 32607                | ECV Hoop Speed Sensor Harness                           |
| 2    | 1   | 32665                | Hoop Speed Sensor for ECV Wrappers                      |
| 3    | 1   | 44237                | Hoop Wheel Guard  |
| 4    | 1   | 44238                | Hoop Motor Mount  |
| 5    | 1   | 44239                | Hoop Wheel Base   |
| 6    | 1   | 44240                | Hoop Motor Plate  |
| 7    | 1   | 44241                | Hoop Drive Wheel Hub                                    |
| 8    | 13  | FW 3/8               | Flatwasher - 3/8" Zinc Plated USS                       |
| 9    | 1   | FW 5/8               | Flatwasher - 5/8" Zinc Plated USS                       |
| 10   | 4   | HB 1/2-20 X3 YZ8     | Hex Bolt 1/2-20x3 Grade 8 Zinc Hex Cap Screw            |
| 11   | 4   | HB 1/4-20X1 Z5       | Hex Bolt 1/4-20x1 Grade 5 Zinc Plated Hex Cap Screw     |
| 12   | 9   | HB 3/8-16X0.75 Z5    | Hex Bolt 3/8-16x3/4 Grade 5 Zinc Plated Hex Cap Screw   |
| 13   | 4   | HB 3/8-16X1.25 Z5    | Hex Bolt 3/8-16x1 1/4 Grade 5 Zinc Plated Hex Cap Screw |
| 14   | 2   | HB 5/8-11X2 Z5       | Hex Bolt 5/8-11x2 Grade 5 Zinc Plated Hex Cap Screw     |
| 15   | 2   | HN 5/8               | Hex Nut 5/8"-11 Grade 5 Zinc Plated Finished            |
| 16   | 1   | KS40254              | Keystock .25 x 1  |
| 17   | 4   | LN 3/8 N             | LN 3/8-16 Zinc Plated Nylon Insert Lock Nut             |
| 18   | 2   | LN 5/8 N             | LN 5/8-11 Zinc Plated Nylon Insert Lock Nut             |
| 19   | 9   | LW 3/8               | LW - 3/8" Zinc Plated Medium Split                      |
| 20   | 1   | PP00051              | Flat Eye Bolt 5/8 X 7.0                                 |
| 21   | 2   | SS 14X34             | Allan Head Set Screw, 1/4-20 x 3/4                      |
| 22   | 1   | TL500-100-052        | Drive Wheel   |
| 23   | 4   | TL500-100-054        | Wheel Nut, 1/2"   |
| 24   | 1   | TL500-101-231        | Wheel Tensioner Spring                                  |
| 25   | 1   | VAL MLHPQ200C7URS-NE | Hyd. Motor (Hoop Motor) Rear Ported with Sensor         |

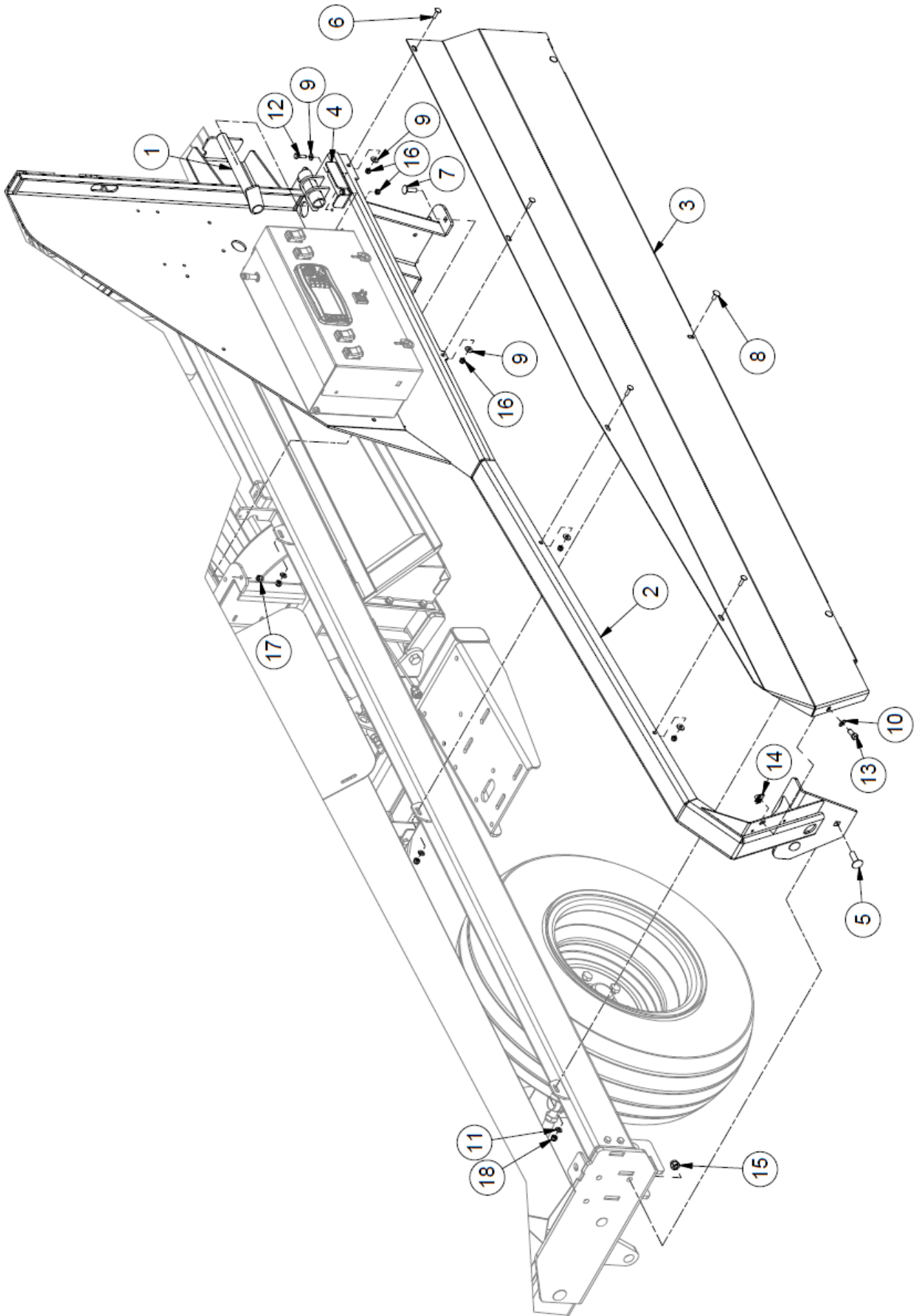
# Plastic Film Carrier



## Plastic Film Carrier

| ITEM | QTY | PART NUMBER         | DESCRIPTION   | NOTE             |
|------|-----|---------------------|---|------------------|
| 1    | 2   | 44278               | Offset Plastic Wrap Carrier                             | Items 2-44       |
| 2    | 1   | 25680               | Linchpin 3/16 x 1.5"                                    |                  |
| 3    | 2   | 39916               | Extended Tensioner Roller                               |                  |
| 4    | 1   | 41888               | Offset Tensioner Spring                                 |                  |
| 5    | 1   | 44284               | Grease Box  |                  |
| 6    | 1   | 44285               | Swivel Plate  |                  |
| 7    | 1   | 44286               | Main Wrap Side Plate                                    |                  |
| 8    | 1   | 44287               | Wrap Spool Slider Shaft                                 |                  |
| 9    | 1   | 44288               | Pivot Support Bracket                                   |                  |
| 10   | 1   | 44289               | Extended Plastic Roller                                 |                  |
| 11   | 1   | 44290               | Wrap Cut  |                  |
| 12   | 2   | 44291               | Plastic Roller Mount                                    |                  |
| 13   | 1   | 44292               | Plastic Roller Pin                                      |                  |
| 14   | 1   | 44293               | Wrap Cut Swivel Handle                                  |                  |
| 15   | 1   | 44294               | Main Wrap Frame   |                  |
| 16   | 1   | 44400               | Snap Adjuster Plate                                     |                  |
| 17   | 8   | CB 5/16-18 X1 Z5    | Carriage Bolt - 5/16-18 x 1" Grade 5 Zinc               |                  |
| 18   | 1   | CP 18X1             | Pin, Cotter 1/8 x 1.0                                   |                  |
| 19   | 2   | FW 3/8              | Flatwasher - 3/8" Zinc Plated USS                       |                  |
| 20   | 2   | FW 5/16             | Flatwasher - 5/16" Zinc Plated USS                      |                  |
| 21   | 7   | FW 5/8              | Flatwasher - 5/8" Zinc Plated USS                       |                  |
| 22   | 1   | FW 7/16             | Flatwasher - 7/16" Zinc Plated USS                      |                  |
| 23   | 2   | GR 1/4 X 28         | Grease Fitting 1/4-28 Strght-Standrd Zerk               |                  |
| 24   | 2   | HB 1/2-13X1.75 Z5   | Hex Bolt 1/2-13x1 3/4 Grade 5 Zinc Plated Hex Cap Screw |                  |
| 25   | 2   | HB 1/4-20X0.75 Z5   | Hex Bolt 1/4-20x3/4 Grade 5 Zinc Plated Hex Cap Screw   |                  |
| 26   | 6   | HB 3/8-16X1.25 Z5   | Hex Bolt 3/8-16x1 1/4 Grade 5 Zinc Plated Hex Cap Screw |                  |
| 27   | 2   | HB 5/16-18X0.625 Z5 | Hex Bolt 5/16-18x5/8 Grade 5 Zinc Plated Hex Cap Screw  |                  |
| 28   | 1   | HB 5/8-11X3.5 Z5    | Hex Bolt 5/8-11x3 1/2 Grade 5 Zinc Plated Hex Cap Screw |                  |
| 29   | 2   | HN 1/2              | Hex Nut 1/2"-13 Grade 5 Zinc Plated Finished            |                  |
| 30   | 1   | HN 5/8 JAM          | Hex Nut - 5/8-11 Zinc Plated Hex Jam Nut                |                  |
| 31   | 2   | KS44823             | Keystock .188 X 1                                       |                  |
| 32   | 2   | LN 1/2 N            | LN 1/2-13 Zinc Plated Nylon Insert Lock Nut             |                  |
| 33   | 6   | LN 1/4 N            | LN 1/4-20 Zinc Plated Nylon Insert Lock Nut             |                  |
| 34   | 6   | LN 3/8 N            | LN 3/8-16 Zinc Plated Nylon Insert Lock Nut             |                  |
| 35   | 8   | LN 5/16 N           | LN 5/16-18 Zinc Plated Nylon Insert Lock Nut            |                  |
| 36   | 1   | LN 5/8 N            | LN 5/8-11 Zinc Plated Nylon Insert Lock Nut             |                  |
| 37   | 4   | MS 1/4X20X0.75      | Machine Screw - (Inch)                                  |                  |
| 38   | 2   | TL500-100-021       | HMWPVC - Plastic End Cap                                |                  |
| 39   | 1   | TL500-100-062       | Extension Spring  |                  |
| 40   | 2   | TL500-100-135       | Spring - Tensioner                                      |                  |
| 41   | 4   | TL550-100-007       | Flange Bearing, 3/4" (2 Flanges & Bearing)              |                  |
| 42   | 1   | TL550-100-008       | Small Gear - 3/4 Bore, KW, SS, 14 1/2 deg, 2.25 P.D.    | C/w 2 Set Screws |
| 43   | 1   | TL550-100-009       | Large Gear - 3/4 Bore, KW, SS, 14 1/2 deg, 3.50 P.D.    | C/w 2 Set Screws |
| 44   | 2   | TL550-200-012       | Plastic Wrap Spool                                      |                  |
| 45   | 4   | CP 1/4 x 2.0        | Pin, Cotter - 1/4" x 2" Zinc Plated                     |                  |
| 46   | 4   | HN 1.0-14NFCastle   | Hex Nut 1"-14 Slotted Plain Finish (NF Castle Nut Bare) |                  |

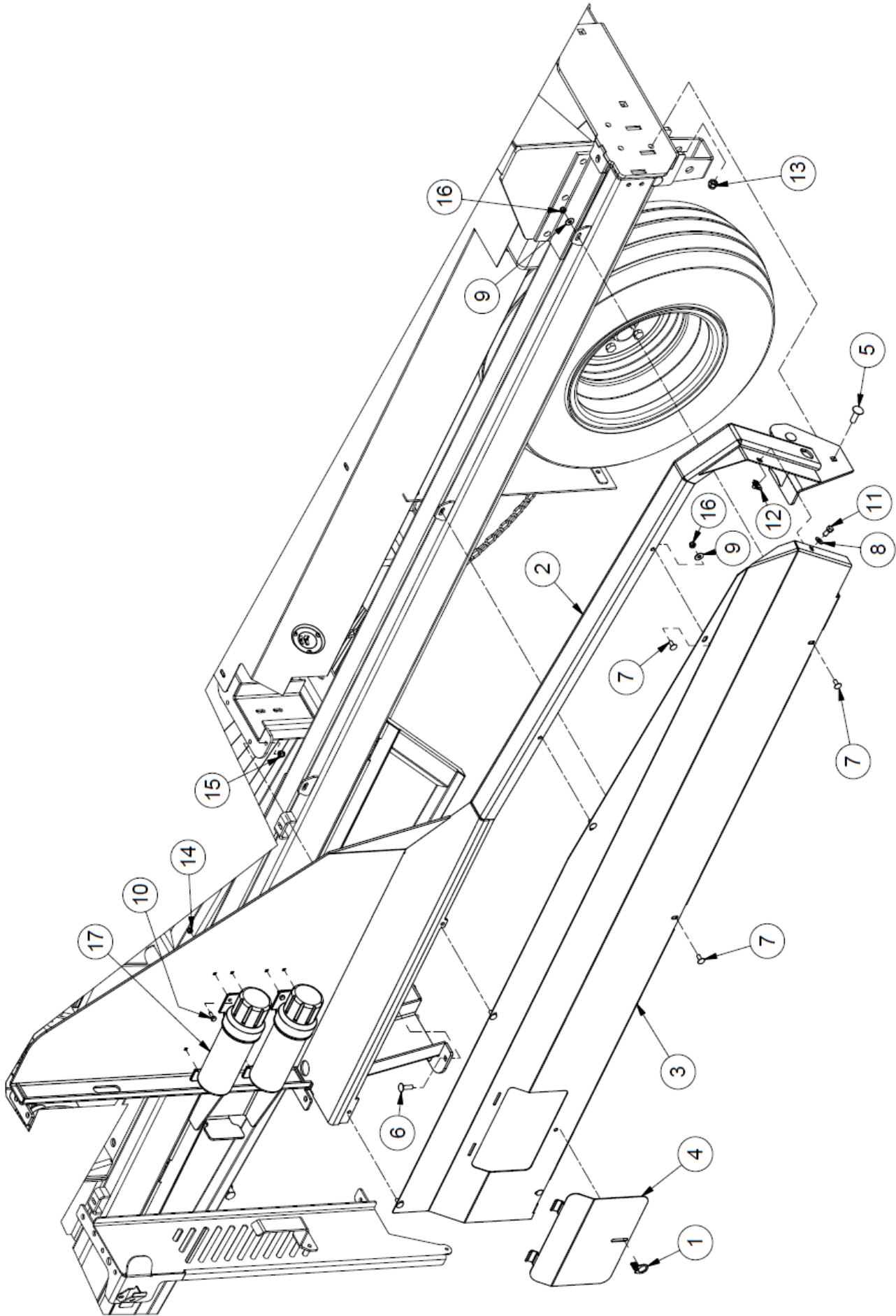
# Left Hoop Brace



## Left Hoop Brace

| ITEM | QTY | PART NUMBER         | DESCRIPTION   |
|------|-----|---------------------|---|
| 1    | 1   | 43243               | Weldment  |
| 2    | 1   | 43323               | Left Hoop Brace                                       |
| 3    | 1   | 43363               | Left Side Shield                                      |
| 4    | 1   | 44227               | Hoop Handle Lock                                      |
| 5    | 3   | CB 1/2-13 X1.5 Z5   | Carriage Bolt - 1/2-13 x 1 1/2" Grade 5 Zinc          |
| 6    | 4   | CB 1/4-20 X1 Z5     | Carriage Bolt - 1/4-20 x 1" Grade 5 Zinc              |
| 7    | 4   | CB 3/8-16 X1.25 Z5  | Carriage Bolt - 3/8-16 x 1 1/4" Grade 5 Zinc          |
| 8    | 3   | CB 5/16-18 X0.75 Z5 | Carriage Bolt - 5/16-18 x 3/4" Grade 5 Zinc           |
| 9    | 6   | FW 1/4              | Flatwasher - 1/4" Zinc Plated USS                     |
| 10   | 1   | FW 3/8              | Flatwasher - 3/8" Zinc Plated USS                     |
| 11   | 3   | FW 5/16             | Flatwasher - 5/16" Zinc Plated USS                    |
| 12   | 2   | HB 1/4-20X1 Z5      | Hex Bolt 1/4-20x1 Grade 5 Zinc Plated Hex Cap Screw   |
| 13   | 1   | HB 3/8-16X0.75 Z5   | Hex Bolt 3/8-16x3/4 Grade 5 Zinc Plated Hex Cap Screw |
| 14   | 1   | HNP 5/16            | Panel Nut - 5/16" U-Type Spring                       |
| 15   | 3   | LN 1/2 N            | LN 1/2-13 Zinc Plated Nylon Insert Lock Nut           |
| 16   | 6   | LN 1/4 N            | LN 1/4-20 Zinc Plated Nylon Insert Lock Nut           |
| 17   | 4   | LN 3/8 N            | LN 3/8-16 Zinc Plated Nylon Insert Lock Nut           |
| 18   | 3   | LN 5/16 N           | LN 5/16-18 Zinc Plated Nylon Insert Lock Nut          |

# Right Hoop Brace

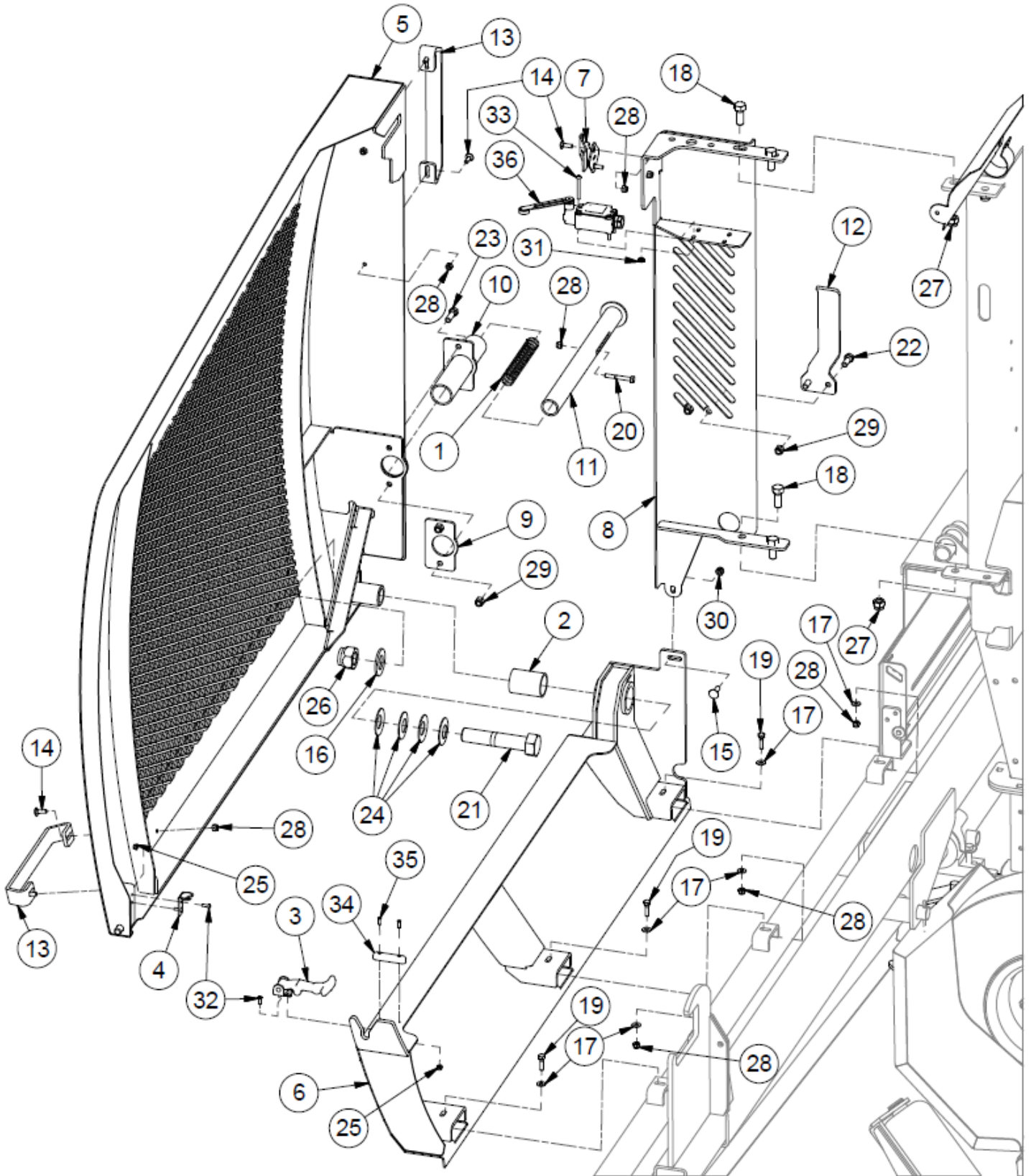


## Right Hoop Brace

| ITEM | QTY | PART NUMBER         | DESCRIPTION   |
|------|-----|---------------------|---|
| 1    | 1   | 36268               | Cam Lock  |
| 2    | 1   | 43311               | Right Hoop Brace                                      |
| 3    | 1   | 43357               | Right Side Shield                                     |
| 4    | 1   | 43573               | Oil Cap Access Lid                                    |
| 5    | 3   | CB 1/2-13 X1.5 Z5   | Carriage Bolt - 1/2-13 x 1 1/2" Grade 5 Zinc          |
| 6    | 4   | CB 3/8-16 X1.25 Z5  | Carriage Bolt - 3/8-16 x 1 1/4" Grade 5 Zinc          |
| 7    | 7   | CB 5/16-18 X0.75 Z5 | Carriage Bolt - 5/16-18 x 3/4" Grade 5 Zinc           |
| 8    | 1   | FW 3/8              | Flatwasher - 3/8" Zinc Plated USS                     |
| 9    | 7   | FW 5/16             | Flatwasher - 5/16" Zinc Plated USS                    |
| 10   | 6   | HB 1/4-20X0.75 Z5   | Hex Bolt 1/4-20x3/4 Grade 5 Zinc Plated Hex Cap Screw |
| 11   | 1   | HB 3/8-16X0.75 Z5   | Hex Bolt 3/8-16x3/4 Grade 5 Zinc Plated Hex Cap Screw |
| 12   | 1   | HNP 3/8             | Panel Nut - 3/8" U-Type Spring                        |
| 13   | 4   | LN 1/2 N            | LN 1/2-13 Zinc Plated Nylon Insert Lock Nut           |
| 14   | 6   | LN 1/4 N            | LN 1/4-20 Zinc Plated Nylon Insert Lock Nut           |
| 15   | 4   | LN 3/8 N            | LN 3/8-16 Zinc Plated Nylon Insert Lock Nut           |
| 16   | 7   | LN 5/16 N           | LN 5/16-18 Zinc Plated Nylon Insert Lock Nut          |
| 17   | 2   | TL5X2-201-111       | Operator's Manual Holder                              |



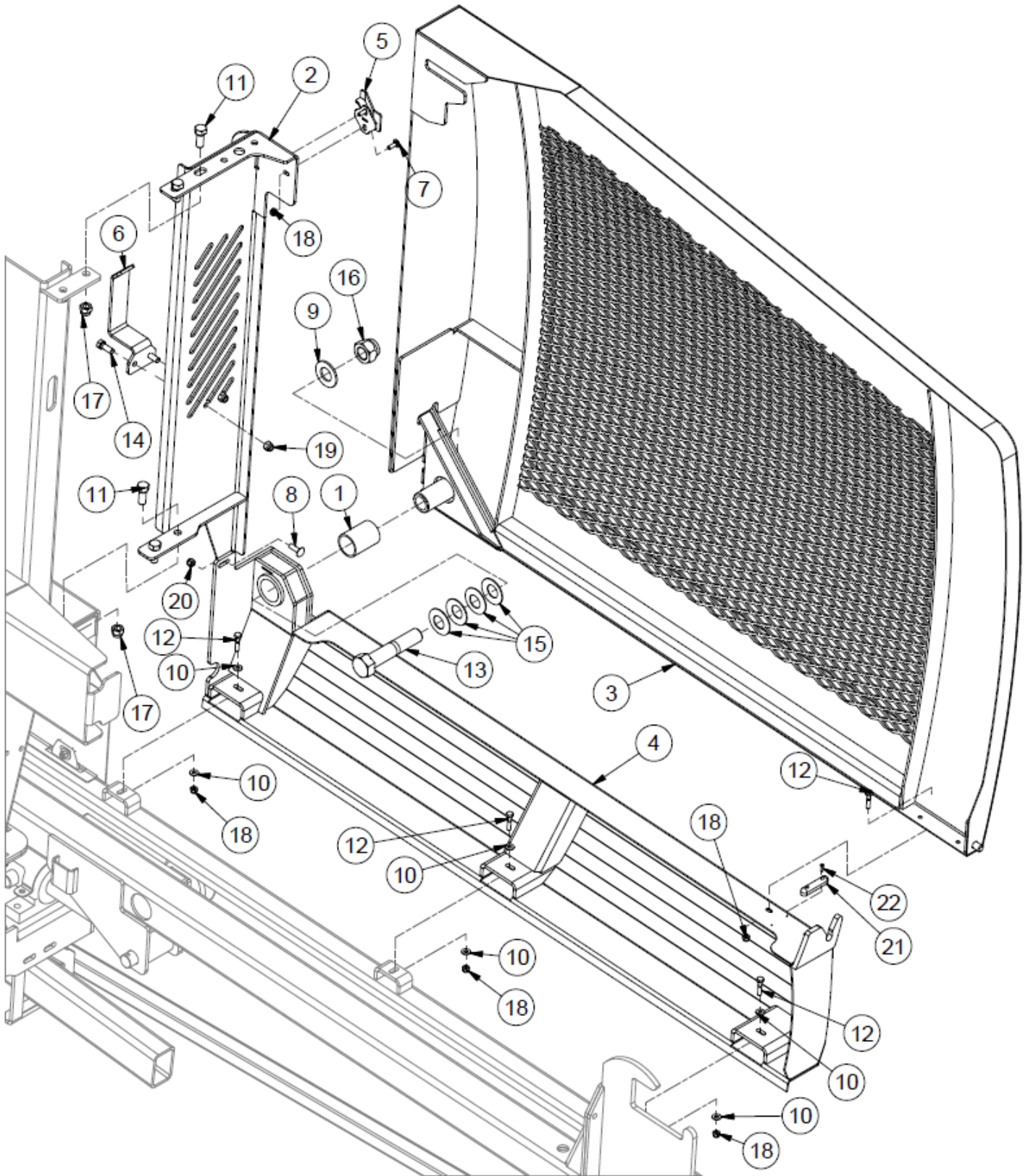
# Safety Guard



## Safety Guard

| ITEM | QTY | PART NUMBER        | DESCRIPTION   |
|------|-----|--------------------|---|
| 1    | 1   | 36900              | Film Snap Spring  |
| 2    | 1   | 37845              | Polygon 1.75 OD x1.52 ID x2.38 LG                       |
| 3    | 1   | 38048              | Battery Cover Hold Down                                 |
| 4    | 1   | 38343              | Battery Latch   |
| 5    | 1   | 41685              | Left Door   |
| 6    | 1   | 41692              | Left Bottom Door Mount                                  |
| 7    | 1   | 43266              | Door Hold   |
| 8    | 1   | 43333              | Left Door Mount   |
| 9    | 1   | 43381              | Pipe Support  |
| 10   | 1   | 43383              | Wrap Cut Tube Support                                   |
| 11   | 1   | 44352              | Cut Push Tube   |
| 12   | 1   | 44359              | Single Tape Holder                                      |
| 13   | 2   | 44858              | Door Handle   |
| 14   | 6   | CB 1/4-20 X0.75 Z5 | Carriage Bolt - 1/4-20 x 3/4" Grade 5 Zinc              |
| 15   | 1   | CB 5/16-18 X1 Z5   | Carriage Bolt - 5/16-18 x 1" Grade 5 Zinc               |
| 16   | 1   | FW 1.0             | Flatwasher - 1" Zinc Plated USS                         |
| 17   | 6   | FW 1/4             | Flatwasher - 1/4" Zinc Plated USS                       |
| 18   | 4   | HB 1/2-13X1.25 Z5  | Hex Bolt 1/2-13x1 1/4 Grade 5 Zinc Plated Hex Cap Screw |
| 19   | 7   | HB 1/4-20X1 Z5     | Hex Bolt 1/4-20x1 Grade 5 Zinc Plated Hex Cap Screw     |
| 20   | 1   | HB 1/4-20X2 Z5     | Hex Bolt 1/4-20x2 Grade 5 Zinc Plated Hex Cap Screw     |
| 21   | 2   | HB 1-8X5 Z5        | Hex Bolt 1-8x5 Grade 5 Zinc Plated Hex Cap Screw        |
| 22   | 2   | HB 3/8-16X1 Z5     | Hex Bolt 3/8-16x1 Grade 5 Zinc Plated Hex Cap Screw     |
| 23   | 1   | HB 3/8-16X1.25 Z5  | Hex Bolt 3/8-16x1 1/4 Grade 5 Zinc Plated Hex Cap Screw |
| 24   | 4   | LA-BK-43           | 2" OD 1" ID H Steel Disc Spring Washer                  |
| 25   | 9   | LN #8 N            | LN 3/16-32 Zinc Plated Nylon Insert Lock Nut            |
| 26   | 1   | LN 1 N             | LN 1-8 Zinc Plated Nylon Insert Lock Nut                |
| 27   | 4   | LN 1/2 N           | LN 1/2-13 Zinc Plated Nylon Insert Lock Nut             |
| 28   | 10  | LN 1/4 N           | LN 1/4-20 Zinc Plated Nylon Insert Lock Nut             |
| 29   | 4   | LN 3/8 N           | LN 3/8-16 Zinc Plated Nylon Insert Lock Nut             |
| 30   | 1   | LN 5/16 N          | LN 5/16-18 Zinc Plated Nylon Insert Lock Nut            |
| 31   | 4   | LN 10-24           | K-Lok Locknut   |
| 32   | 5   | MS #8X32X0.5       | Machine Screw - (Inch)                                  |
| 33   | 4   | MS #10X24X1.75     | Machine Screw - (Inch)                                  |
| 34   | 1   | PP-00685           | Rubber Stop   |
| 35   | 2   | PP-00686           | Wood Screw,#6 x5/8" Roberts end                         |
| 36   | 1   | TL550-100-060      | Limit Switch  |

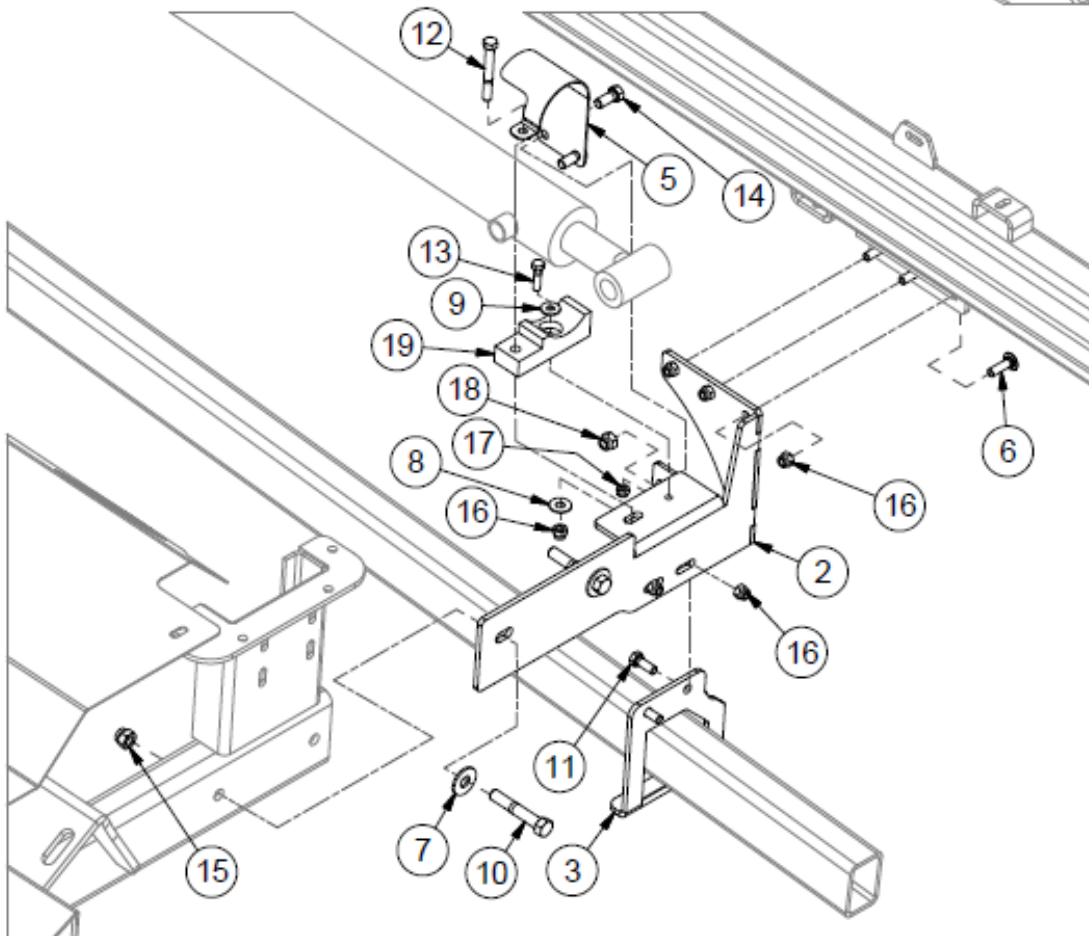
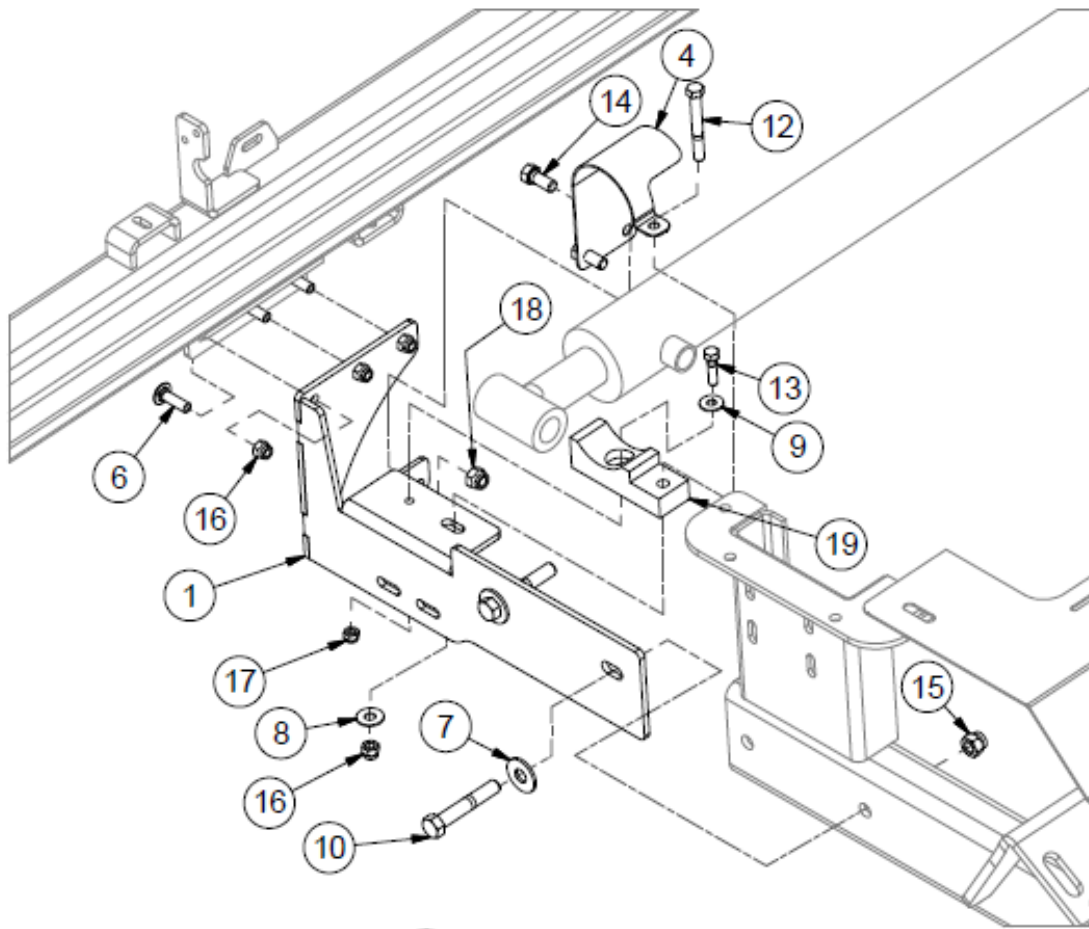
# Maintenance Guard



## Maintenance Guard

| ITEM | QTY | PART NUMBER        | DESCRIPTION   |
|------|-----|--------------------|---|
| 1    | 1   | 37845              | Polygon 1.75 OD x1.52 ID x2.38 LG                       |
| 2    | 1   | 42510              | Right Door Mount  |
| 3    | 1   | 43250              | Right Door  |
| 4    | 1   | 43259              | Right Bottom Door Mount                                 |
| 5    | 1   | 43266              | Door Hold   |
| 6    | 1   | 44359              | Single Tape Holder                                      |
| 7    | 2   | CB 1/4-20 X0.75 Z5 | Carriage Bolt - 1/4-20 x 3/4" Grade 5 Zinc              |
| 8    | 1   | CB 5/16-18 X1 Z5   | Carriage Bolt - 5/16-18 x 1" Grade 5 Zinc               |
| 9    | 1   | FW 1.0             | Flatwasher - 1" Zinc Plated USS                         |
| 10   | 6   | FW 1/4             | Flatwasher - 1/4" Zinc Plated USS                       |
| 11   | 4   | HB 1/2-13X1.25 Z5  | Hex Bolt 1/2-13x1 1/4 Grade 5 Zinc Plated Hex Cap Screw |
| 12   | 5   | HB 1/4-20X1.25 Z5  | Hex Bolt 1/4-20x1 1/4 Grade 5 Zinc Plated Hex Cap Screw |
| 13   | 2   | HB 1-8X5 Z5        | Hex Bolt 1-8x5 Grade 5 Zinc Plated Hex Cap Screw        |
| 14   | 2   | HB 3/8-16X1 Z5     | Hex Bolt 3/8-16x1 Grade 5 Zinc Plated Hex Cap Screw     |
| 15   | 4   | LA-BK-43           | 2" OD 1" ID H Steel Disc Spring Washer                  |
| 16   | 1   | LN 1 N             | LN 1-8 Zinc Plated Nylon Insert Lock Nut                |
| 17   | 4   | LN 1/2 N           | LN 1/2-13 Zinc Plated Nylon Insert Lock Nut             |
| 18   | 7   | LN 1/4 N           | LN 1/4-20 Zinc Plated Nylon Insert Lock Nut             |
| 19   | 2   | LN 3/8 N           | LN 3/8-16 Zinc Plated Nylon Insert Lock Nut             |
| 20   | 1   | LN 5/16 N          | LN 5/16-18 Zinc Plated Nylon Insert Lock Nut            |
| 21   | 1   | PP-00685           | Rubber Stop   |
| 22   | 2   | PP-00686           | Wood Screw,#6 x5/8" Roberts end                         |

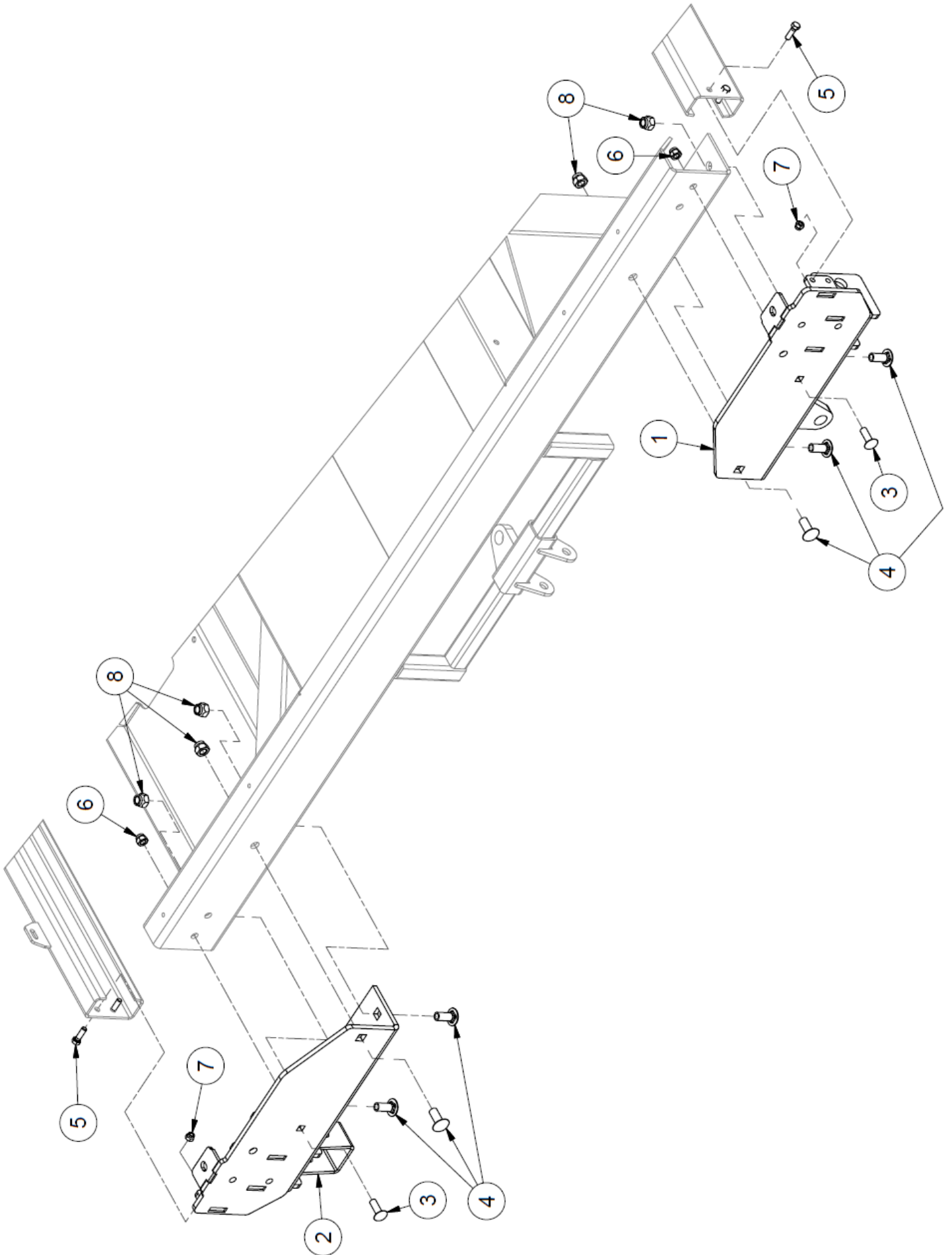
## Cylinder Supports



## Cylinder Supports

| ITEM | QTY | PART NUMBER        | DESCRIPTION  |
|------|-----|--------------------|--|
| 1    | 1   | 43344              | Left Cylinder Mount                                      |
| 2    | 1   | 43348              | Right Cylinder Mount                                     |
| 3    | 1   | 44235              | Pushoff Tube Holder                                      |
| 4    | 1   | 44369              | Left Cylinder Clamp                                      |
| 5    | 1   | 44370              | Right Cylinder Clamp                                     |
| 6    | 6   | CB 3/8-16 X1.25 Z5 | Carriage Bolt - 3/8-16 x 1 1/4" Grade 5 Zinc             |
| 7    | 4   | FW 1/2             | Flatwasher - 1/2" Zinc Plated USS                        |
| 8    | 2   | FW 3/8             | Flatwasher - 3/8" Zinc Plated USS                        |
| 9    | 2   | FW 5/16            | Flatwasher - 5/16" Zinc Plated USS                       |
| 10   | 4   | HB 1/2-13X3 Z5     | Hex Bolt 1/2-13x3 Grade 5 Zinc Plated Hex Cap Screw      |
| 11   | 2   | HB 3/8-16X1 Z5     | Hex Bolt 3/8-16x1 Grade 5 Zinc Plated Hex Cap Screw      |
| 12   | 2   | HB 3/8-16X3 Z5     | Hex Bolt 3/8-16x3 Grade 5 Zinc Plated Hex Cap Screw      |
| 13   | 2   | HB 5/16-18X1.25 Z5 | Hex Bolt 5/16-18x1 1/4 Grade 5 Zinc Plated Hex Cap Screw |
| 14   | 4   | HB 7/16-14X1 Z5    | Hex Bolt 7/16-14x1 Grade 5 Zinc Plated Hex Cap Screw     |
| 15   | 4   | LN 1/2 N           | LN 1/2-13 Zinc Plated Nylon Insert Lock Nut              |
| 16   | 8   | LN 3/8 N           | LN 3/8-16 Zinc Plated Nylon Insert Lock Nut              |
| 17   | 2   | LN 5/16 N          | LN 5/16-18 Zinc Plated Nylon Insert Lock Nut             |
| 18   | 4   | LN 7/16 N          | LN 7/16-14 Zinc Plated Nylon Insert Lock Nut             |
| 19   | 2   | TL550-200-109      | Cylinder Support   |

# Front Corners

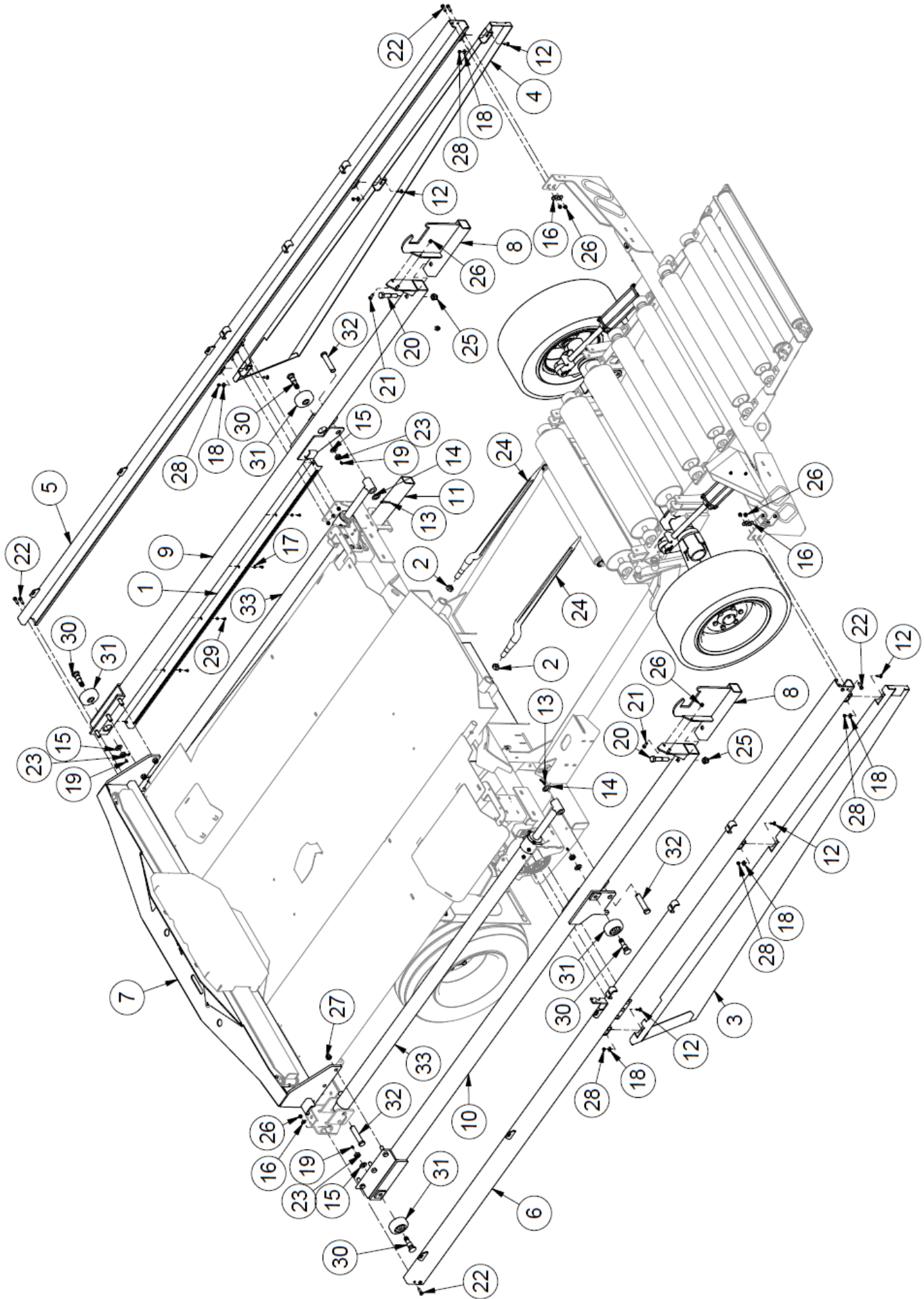


## Front Corners

| ITEM | QTY | PART NUMBER       | DESCRIPTION   |
|------|-----|-------------------|---|
| 1    | 1   | 43359             | Front Left Corner                                       |
| 2    | 1   | 43361             | Front Right Corner                                      |
| 3    | 2   | CB 1/2-13 X1.5 Z5 | Carriage Bolt - 1/2-13 x 1 1/2" Grade 5 Zinc            |
| 4    | 6   | CB 5/8-11 X1.5 Z5 | Carriage Bolt - 5/8-11 x 1 1/2" Grade 5 Zinc            |
| 5    | 4   | HB 3/8-16X1.25 Z5 | Hex Bolt 3/8-16x1 1/4 Grade 5 Zinc Plated Hex Cap Screw |
| 6    | 2   | LN 1/2 N          | LN 1/2-13 Zinc Plated Nylon Insert Lock Nut             |
| 7    | 4   | LN 3/8 N          | LN 3/8-16 Zinc Plated Nylon Insert Lock Nut             |
| 8    | 6   | LN 5/8 N          | LN 5/8-11 Zinc Plated Nylon Insert Lock Nut             |



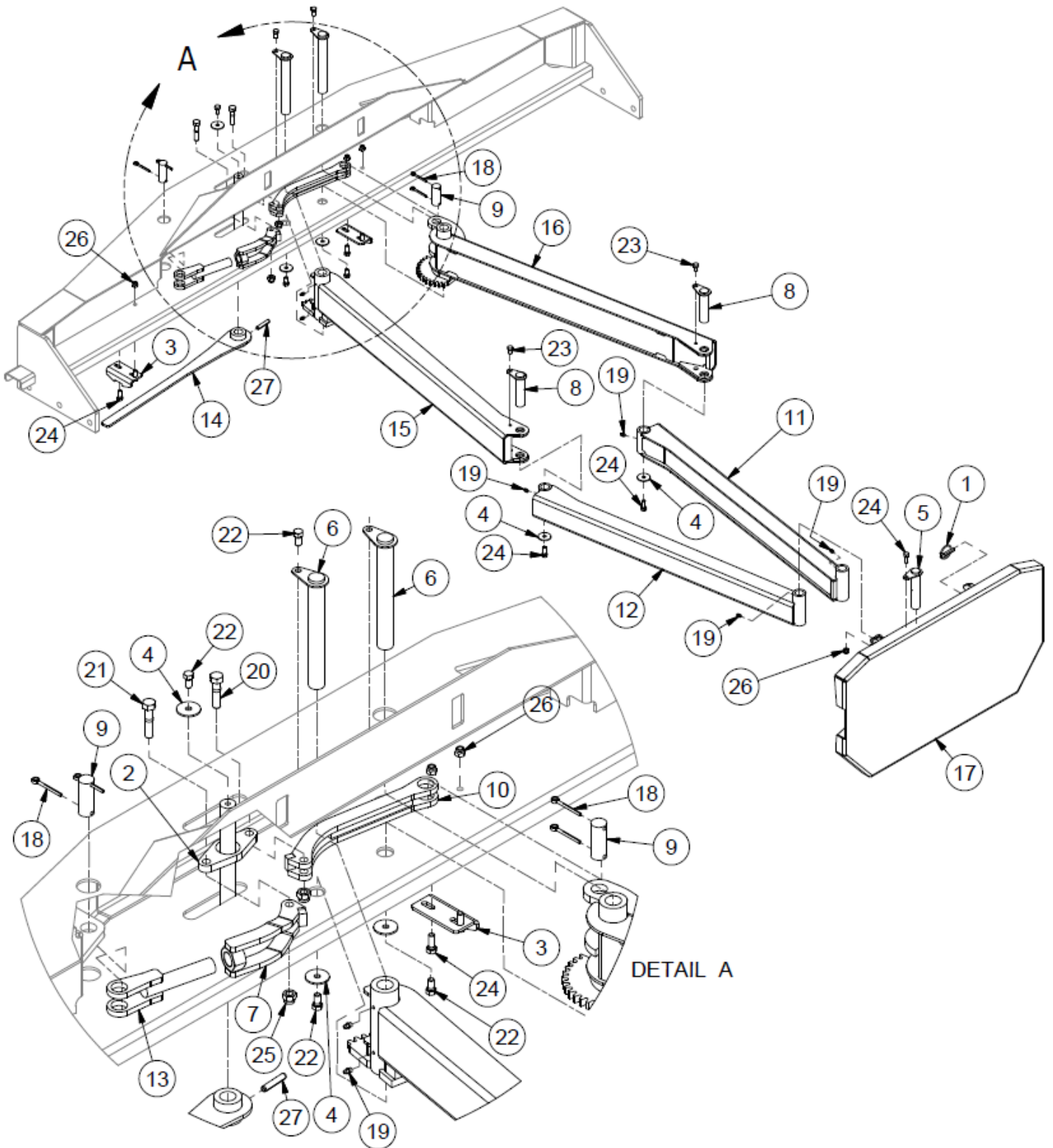
# Side Rails



## Side Rails

| ITEM | QTY | PART NUMBER       | DESCRIPTION   |
|------|-----|-------------------|---|
| 1    | 1   | 31710             | Speed Sensor Guide  |
| 2    | 2   | 39510             | Conus 1 Bale Spear Nut  |
| 3    | 1   | 43338             | Left Side Shield  |
| 4    | 1   | 43353             | Right Side Shield   |
| 5    | 1   | 43367             | Right Side Rail   |
| 6    | 1   | 43368             | Left Side Rail  |
| 7    | 1   | 43706             | Offset Tensioner Ram  |
| 8    | 2   | 44154             | Basic Pushoff   |
| 9    | 1   | 44158             | Right Side Ram Tube   |
| 10   | 1   | 44168             | Left Side Ram Tube  |
| 11   | 1   | 44229             | Pushoff Tube  |
| 12   | 6   | CB 5/16-18 X1 Z5  | Carriage Bolt - 5/16-18 x 1" Grade 5 Zinc                           |
| 13   | 4   | CP 3/16 X 2.0     | Pin, Cotter - 3/16 x 2.0  |
| 14   | 6   | FW 1.0            | Flatwasher - 1" Zinc Plated USS                                     |
| 15   | 4   | FW 3/4            | Flatwasher - 3/4" Zinc Plated USS                                   |
| 16   | 8   | FW 3/8            | Flatwasher - 3/8" Zinc Plated USS                                   |
| 17   | 6   | FW 3/8 N          | Flatwasher - #10 X 0.375" OD 6/6 Natural Nylon Flatwasher           |
| 18   | 6   | FW 5/16           | Flatwasher - 5/16" Zinc Plated USS                                  |
| 19   | 4   | GR 1/4 X 28       | Grease Fitting 1/4-28 Straight-Standard Zerk                        |
| 20   | 2   | HB 3/4-10X4 Z5    | Hex Bolt 3/4-10x4 Grade 5 Zinc Plated Hex Cap Screw                 |
| 21   | 4   | HB 3/8-16X1 Z5    | Hex Bolt 3/8-16x1 Grade 5 Zinc Plated Hex Cap Screw                 |
| 22   | 8   | HB 3/8-16X1.25 Z5 | Hex Bolt 3/8-16x1 1/4 Grade 5 Zinc Plated Hex Cap Screw             |
| 23   | 4   | HN 3/4 JAM        | Hex Nut - 3/4-16 Zinc Plated Hex Jam Nut                            |
| 24   | 2   | LA-MFE35          | Bale Spear Cranked Tine 35"   |
| 25   | 2   | LN 3/4 N          | LN 3/4-10 Zinc Plated Nylon Insert Lock Nut                         |
| 26   | 12  | LN 3/8 N          | LN 3/8-16 Zinc Plated Nylon Insert Lock Nut                         |
| 27   | 6   | LN 5/8 N          | LN 5/8-11 Zinc Plated Nylon Insert Lock Nut                         |
| 28   | 6   | LN 5/16 N         | LN 5/16-18 Zinc Plated Nylon Insert Lock Nut                        |
| 29   | 6   | MS 10X34 SDS      | Machine Screw - #10 x 3/4" Hex Washer Head Self Drilling Screw Zinc |
| 30   | 4   | TL5X2-301-156     | Ram Wheel Axle  |
| 31   | 4   | TL5X2-301-157     | Ram Wheel   |
| 32   | 4   | TL550-100-042     | Ram Cylinder Pin  |
| 33   | 2   | TL550-100-043     | Ram Cylinder  |

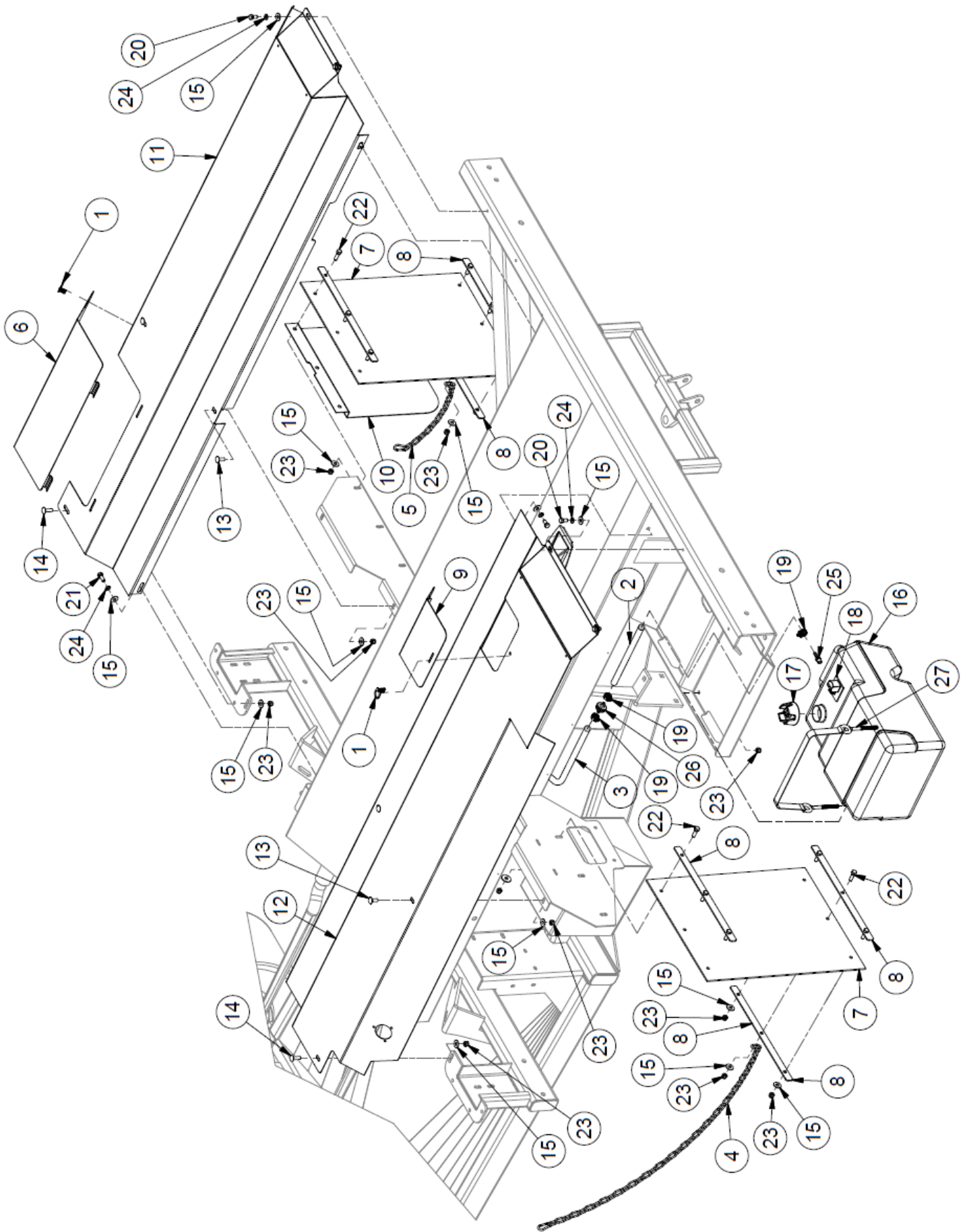
# Front Pushoff



## Front Pushoff

| ITEM | QTY | PART NUMBER        | DESCRIPTION   |
|------|-----|--------------------|---|
| 1    | 2   | 28940              | Lynch Pin - 3/8 X 1-3/4"                                |
| 2    | 1   | 44102              | Linkage Pivot   |
| 3    | 2   | 44103              | Handle Holder   |
| 4    | 5   | 44104              | Pin Washer  |
| 5    | 2   | 44105              | Last Pushoff Plate Pin                                  |
| 6    | 2   | 44106              | Pushoff Middle Pin                                      |
| 7    | 1   | 44107              | Pivot Adjuster  |
| 8    | 2   | 44108              | Arm Joint Pin   |
| 9    | 2   | 44109              | Ram Linkage Mount Pin                                   |
| 10   | 1   | 44110              | Solid Pivot Arm   |
| 11   | 1   | 44112              | Right Small Arm   |
| 12   | 1   | 44113              | Left Small Arm  |
| 13   | 1   | 44114              | Linkage Adjuster  |
| 14   | 1   | 44115              | Last Pushoff Handle                                     |
| 15   | 1   | 44116              | Left Large Arm  |
| 16   | 1   | 44117              | Right Large Arm   |
| 17   | 1   | 44118              | Push Plate  |
| 18   | 4   | CP 3/16 X 2        | Pin, Cotter - 3/16 x 2.0                                |
| 19   | 8   | GR 1/4 X 28        | Grease Fitting 1/4-28 Straight-Standard Zerk            |
| 20   | 1   | HB 1/2-13X2 Z5     | Hex Bolt 1/2-13x2 Grade 5 Zinc Plated Hex Cap Screw     |
| 21   | 1   | HB 1/2-13X2.25 Z5  | Hex Bolt 1/2-13x2 1/4 Grade 5 Zinc Plated Hex Cap Screw |
| 22   | 5   | HB 3/8-16X0.75 Z5  | Hex Bolt 3/8-16x3/4 Grade 5 Zinc Plated Hex Cap Screw   |
| 23   | 2   | HB 3/8-16X0.625 Z5 | Hex Bolt 3/8-16x5/8 Grade 5 Zinc Plated Hex Cap Screw   |
| 24   | 8   | HB 3/8-16X1 Z5     | Hex Bolt 3/8-16x1 Grade 5 Zinc Plated Hex Cap Screw     |
| 25   | 2   | LN 1/2 N           | LN 1/2-13 Zinc Plated Nylon Insert Lock Nut             |
| 26   | 6   | LN 3/8 N           | LN 3/8-16 Zinc Plated Nylon Insert Lock Nut             |
| 27   | 1   | RP 3/8 x 2         | Pin - Roll Pin 3/8 x 2                                  |

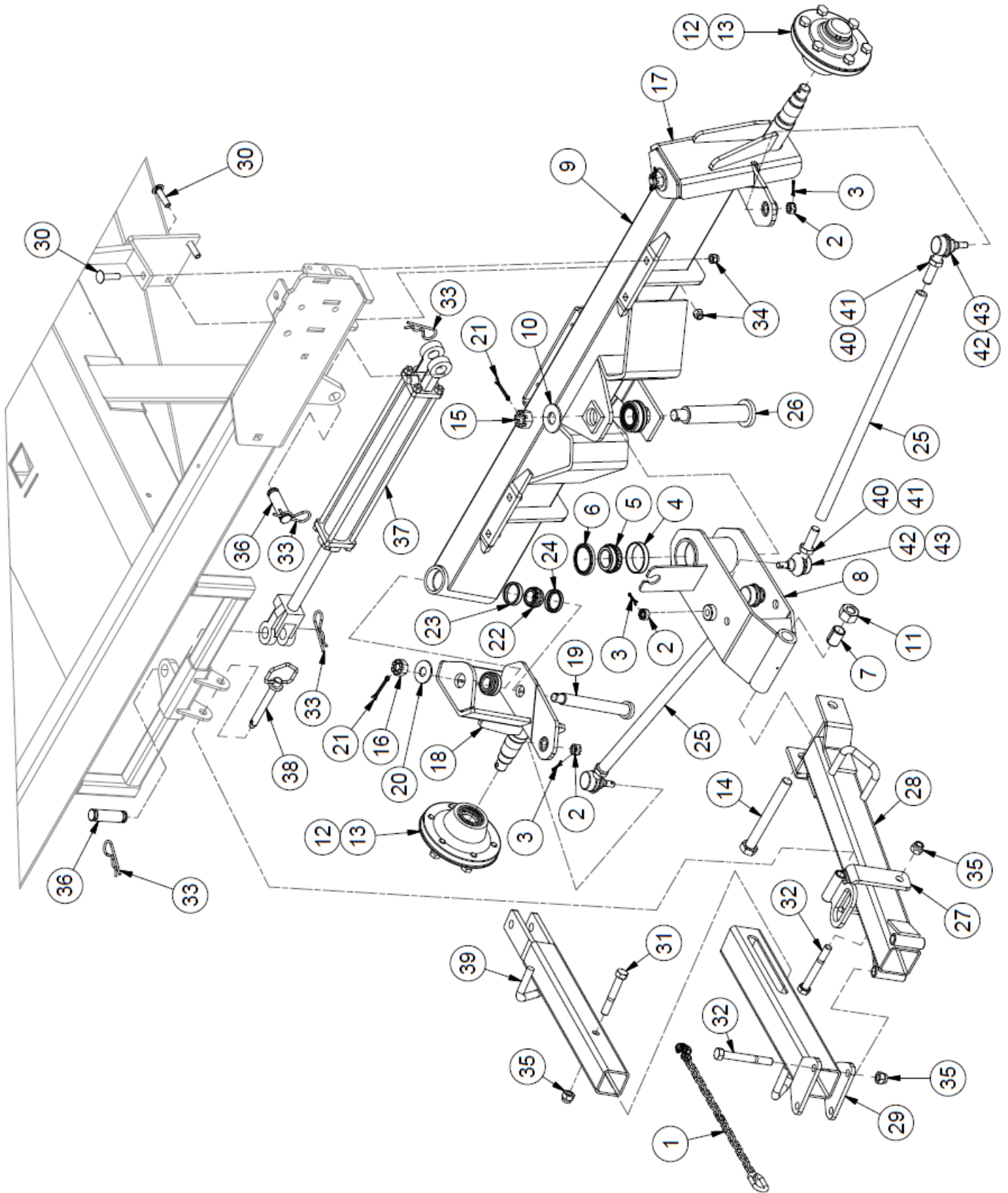
# Bale Deck



## Bale Deck

| ITEM | QTY | PART NUMBER        | DESCRIPTION   |
|------|-----|--------------------|---|
| 1    | 2   | 36268              | Cam Lock  |
| 2    | 1   | 40956              | Short Fuel Line   |
| 3    | 1   | 40957              | Long Fuel Line  |
| 4    | 1   | 40958              | Right Mud Flap Chain                                    |
| 5    | 1   | 40959              | Left Mud Flap Chain                                     |
| 6    | 1   | 44222              | Heat Shield   |
| 7    | 2   | 44231              | Mud Flap  |
| 8    | 6   | 44232              | Metal Strip Mud Flap                                    |
| 9    | 1   | 44233              | Fuel Cap Cover  |
| 10   | 1   | 44234              | Mud Flap Shield   |
| 11   | 1   | 44364              | Left Side Fender  |
| 12   | 1   | 44366              | Right Side Fender                                       |
| 13   | 4   | CB 3/8-16 X1 Z5    | Carriage Bolt - 3/8-16 x 1" Grade 5 Zinc                |
| 14   | 14  | CB 3/8-16 X1.25 Z5 | Carriage Bolt - 3/8-16 x 1 1/4" Grade 5 Zinc            |
| 15   | 48  | FW 3/8             | Flatwasher - 3/8" Zinc Plated USS                       |
| 16   | 1   | TL550-204-100      | Fuel Tank   |
| 17   | 1   | TL550-204-101      | Vented Cap for Fuel Tank                                |
| 18   | 1   | TL550-204-103      | Fuel Gauge - Bale Wrapper                               |
| 19   | 3   | GC 4               | Gear Clamp #4 .25 to .625"                              |
| 20   | 10  | HB 3/8-16X0.75 Z5  | Hex Bolt 3/8-16x3/4 Grade 5 Zinc Plated Hex Cap Screw   |
| 21   | 19  | HB 3/8-16X1 Z5     | Hex Bolt 3/8-16x1 Grade 5 Zinc Plated Hex Cap Screw     |
| 22   | 26  | HB 3/8-16X1.25 Z5  | Hex Bolt 3/8-16x1 1/4 Grade 5 Zinc Plated Hex Cap Screw |
| 23   | 69  | LN 3/8 N           | LN 3/8-16 Zinc Plated Nylon Insert Lock Nut             |
| 24   | 8   | LW 3/8             | LW - 3/8" Zinc Plated Medium Split                      |
| 25   | 1   | TL5X2-201-108      | 1/4 Barb x 1/4 NPT Fitting                              |
| 26   | 1   | TL550-200-111      | Fuel Filter   |
| 27   | 1   | TL550-204-110      | Tie Down Strap (Fuel Tank)                              |

# Steering



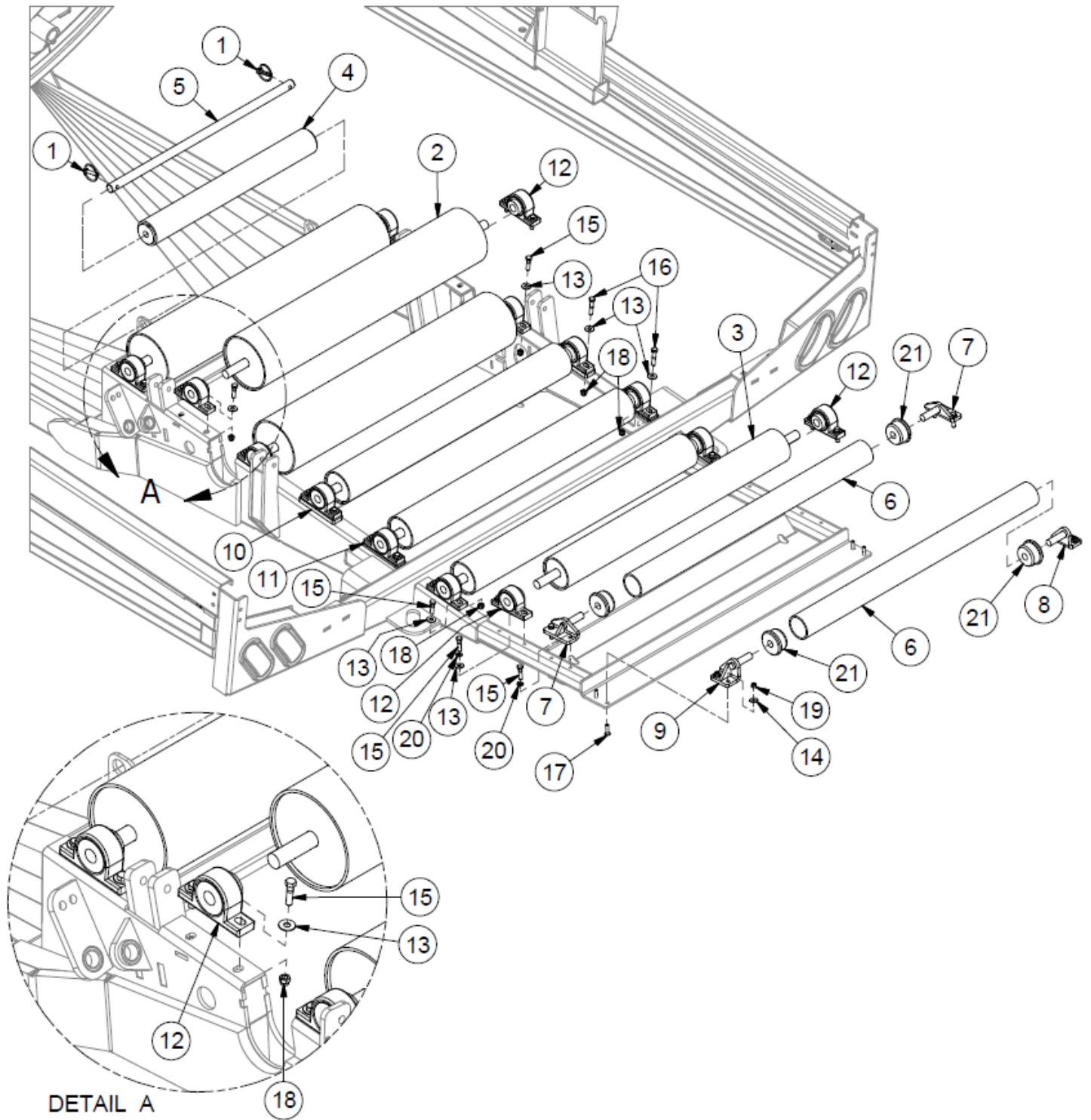
## Steering

| ITEM | QTY | PART NUMBER     | DESCRIPTION   |
|------|-----|-----------------|---|
| 1    | 1   | 25261           | Safety Chain 10000 # 59"                            |
| 2    | 1   | TL550-111-004   | Hex Nut, Slotted 9/16" NF                           |
| 3    | 1   | TL550-111-005   | Cotter Pin, 1/8 x 1                                 |
| 4    | 2   | TL550-111-009   | Tongue Bracket Timkin Cup                           |
| 5    | 2   | TL550-111-010   | Tongue Bracket Timkin Cone                          |
| 6    | 2   | TL550-111-011   | Tongue Bracket Seal                                 |
| 7    | 2   | TL550-111-012   | Tongue Bracket Bushing                              |
| 8    | 1   | TL550-221-008   | Tongue Bracket                                      |
| 9    | 1   | 41971           | Front Axle Weldment                                 |
| 10   | 1   | FW 1.0          | Flatwasher - 1" Zinc Plated USS                     |
| 11   | 1   | HB 7/8-9X8.0 Z5 | Hex Bolt Plated Gr. 5 NC                            |
| 12   | 2   | HUB 4000-CCS    | Complete Bearing and Seals for Hub 4000             |
| 13   | 2   | HUB 4000#       | Complete Assembly Hub 4000                          |
| 14   | 1   | LN 7/8 N        | Locknuts 7/8-9 Zinc Plated Nylon Insert Lock Nut    |
| 15   | 1   | TL500-100-070   | Hex Nut, Slotted 1"                                 |
| 16   | 2   | TL500-100-070   | Hex Nut, Slotted 1"                                 |
| 17   | 1   | TL550-100-083   | Front Left Spindle Assembly                         |
| 18   | 1   | TL550-100-084   | Front Right Spindle Assembly                        |
| 19   | 2   | TL550-100-085   | Spindle Pin   |
| 20   | 2   | TL550-111-014   | Flat Washer, 13/16                                  |
| 21   | 3   | TL550-111-016   | Cotter Pin, 3/16 x 2                                |
| 22   | 4   | TL550-200-080   | Spindle Bearing Timkin Cone                         |
| 23   | 4   | TL550-200-081   | Spindle Bearing Timkin Cup                          |
| 24   | 4   | TL550-200-082   | Spindle Bearing Seal                                |
| 25   | 2   | TL550-220-001   | Tie Rod   |
| 26   | 1   | TL550-221-013   | Tongue Bracket Pin                                  |
| 27   | 1   | 44170           | Tongue Holder                                       |
| 28   | 1   | 44176           | Upper Tongue Assembly                               |
| 29   | 1   | 44179           | Tongue Swinging End                                 |
| 30   | 8   | CB 1/2-13 X2 Z5 | Carriage Bolt - 1/2-13 x 2" Grade 5 Zinc            |
| 31   | 1   | HB 5/8-11X4 Z5  | Hex Bolt 5/8-11x4 Grade 5 Zinc Plated Hex Cap Screw |
| 32   | 2   | HB 5/8-11X5 Z5  | Hex Bolt 5/8-11x5 Grade 5 Zinc Plated Hex Cap Screw |
| 33   | 4   | HP 5/32 X 3.0   | Pin Hair - #9 9Ga 3-1/16" OAL Zinc Plated           |
| 34   | 8   | LN 1/2 N        | LN 1/2-13 Zinc Plated Nylon Insert Lock Nut         |
| 35   | 3   | LN 5/8 N        | LN 5/8-11 Zinc Plated Nylon Insert Lock Nut         |
| 36   | 6   | TL5X2-500-116   | Cylinder Pin  |
| 37   | 1   | TL500-100-103   | Hydraulic Cylinder, 2 x 16                          |
| 38   | 1   | TL500-100-154   | Tongue Pin  |
| 39   | 1   | TL550-100-053   | Sliding Tongue                                      |
| 40   | 2   | TL550-111-002*  | Jam Nut, 3/4 (NF LH)                                |
| 41   | 2   | TL550-111-003*  | Jam Nut, 3/4 (NF RH)                                |
| 42   | 2   | TL550-111-006*  | Tie Rod End Right Thread                            |
| 43   | 2   | TL550-111-007*  | Tie Rod End Left Thread                             |

\*When ordering tie rod ends check if you need a left hand or right hand thread.  
Tie rods require both a left and right hand thread.



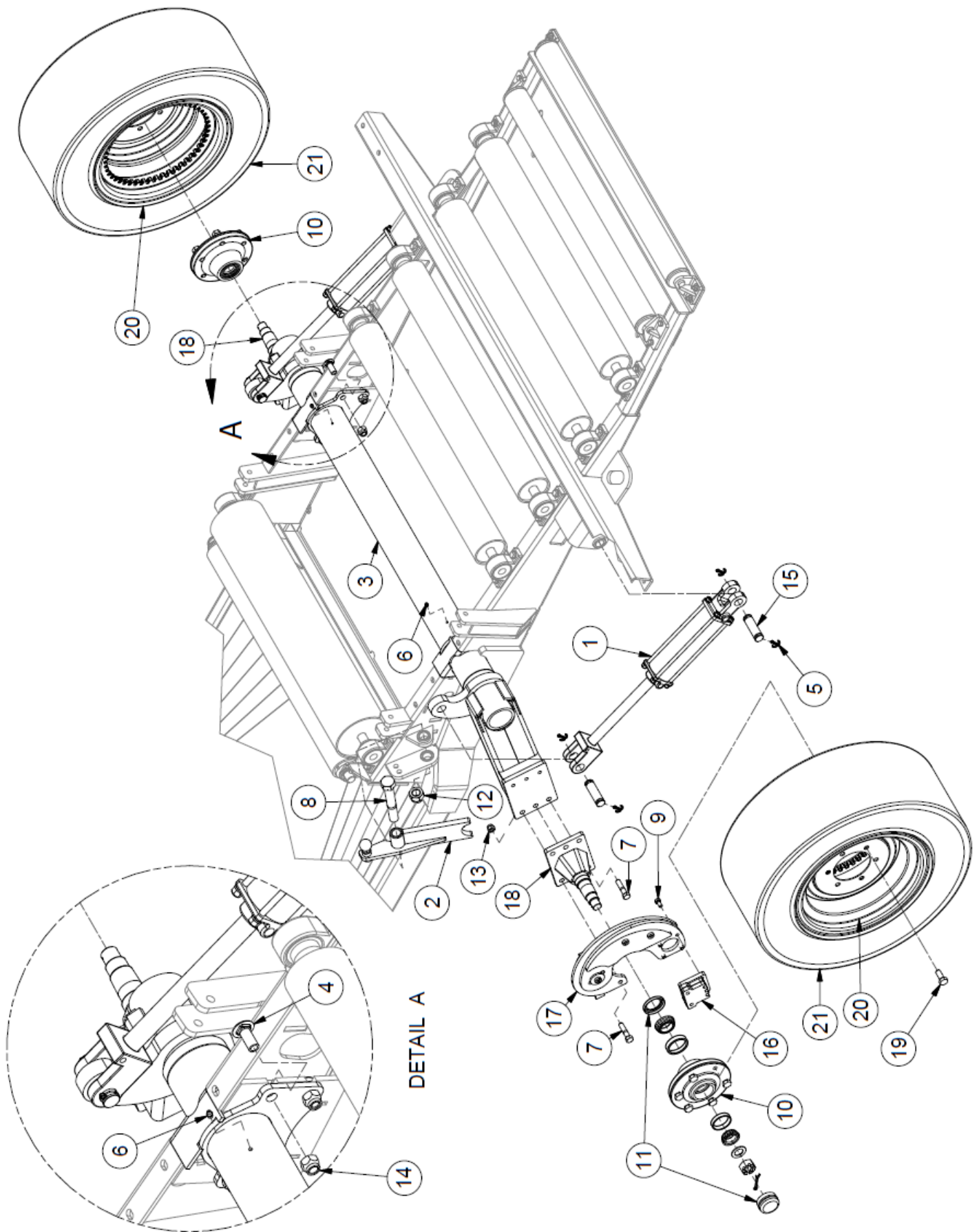
# Roller Bed



## Roller Bed

| ITEM | QTY | PART NUMBER           | DESCRIPTION   |
|------|-----|-----------------------|---|
| 1    | 2   | 28940                 | LP .375 X 1.75  |
| 2    | 3   | 44181                 | 6 5/8" Roller   |
| 3    | 4   | 44186                 | 4" Roller   |
| 4    | 1   | 44189                 | 4" Roller   |
| 5    | 1   | 44192                 | Roller Shaft  |
| 6    | 2   | 44193                 | Roller  |
| 7    | 2   | 44194                 | Small Roller Mount                                      |
| 8    | 1   | 44198                 | Right Rear Small Roller Mount                           |
| 9    | 1   | 44200                 | Left Rear Small Roller Mount                            |
| 10   | 2   | 44901                 | Tail Roller Spacer 1/2"                                 |
| 11   | 2   | 44902                 | Tail Roller Spacer 1/4"                                 |
| 12   | 14  | BEA P205-16-1         | Pillow Block Bearing 1"- BEA SBP205-16-1                |
| 13   | 28  | FW 3/8                | Flatwasher - 3/8" Zinc Plated USS                       |
| 14   | 4   | FW 5/16               | Flatwasher - 5/16" Zinc Plated USS                      |
| 15   | 24  | HB 3/8-16X1.5 Z5      | Hex Bolt 3/8-16x1 1/2 Grade 5 Zinc Plated Hex Cap Screw |
| 16   | 8   | HB 3/8-16X2 Z5        | Hex Bolt 3/8-16x2 Grade 5 Zinc Plated Hex Cap Screw     |
| 17   | 4   | HB 5/16-18X1.25 FHSCS | Hex Bolt - 5/16"-18 x 1 1/4" Flat Socket Cap Screw      |
| 18   | 24  | LN 3/8 N              | LN 3/8-16 Zinc Plated Nylon Insert Lock Nut             |
| 19   | 4   | LN 5/16 N             | LN 5/16-18 Zinc Plated Nylon Insert Lock Nut            |
| 20   | 4   | LW 3/8                | LW - 3/8" Zinc Plated Medium Split                      |
| 21   | 4   | T650RL04              | Small Roller Bearing                                    |

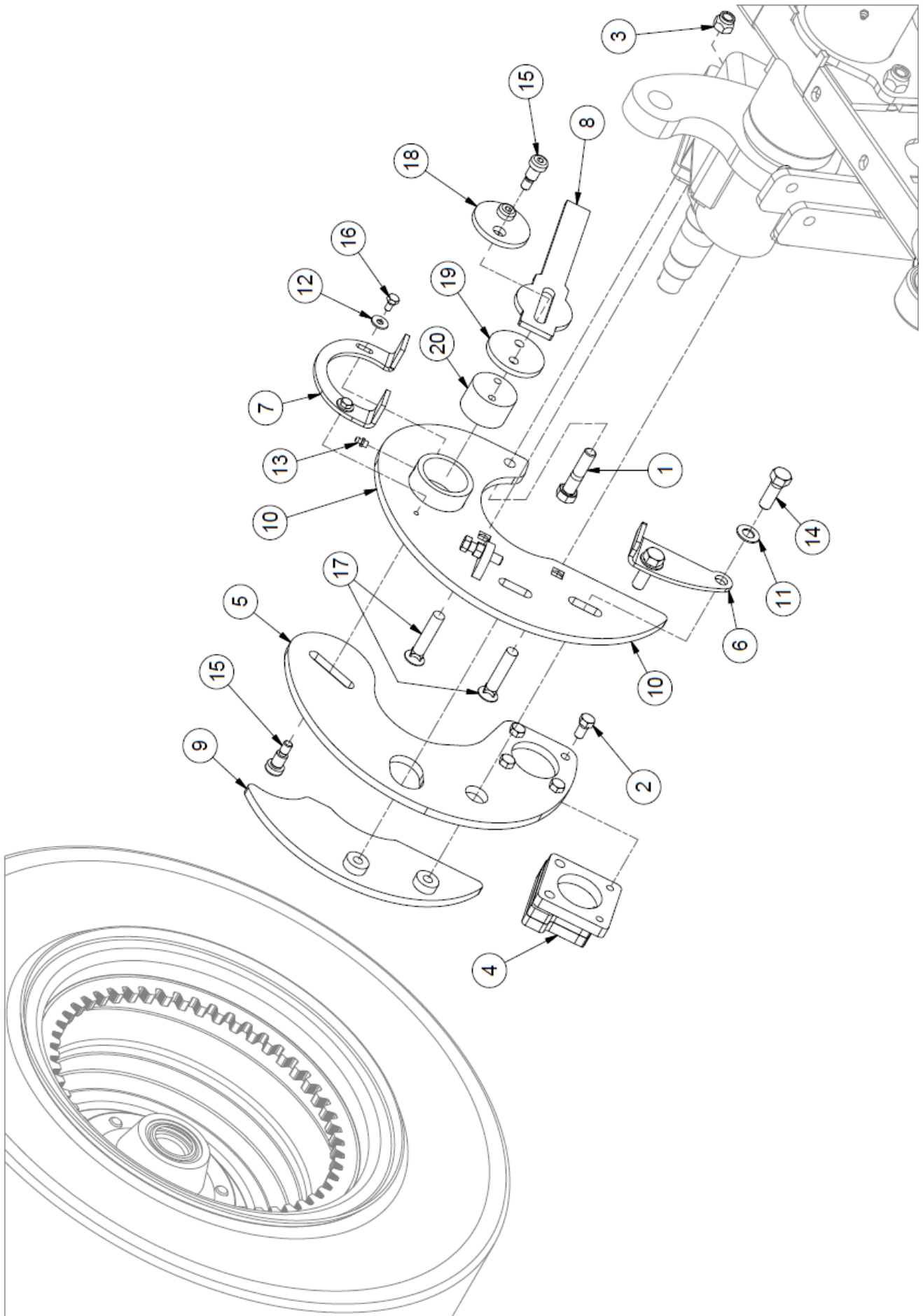
# Rear Axle



## Rear Axle

| ITEM | QTY | PART NUMBER       | DESCRIPTION   |
|------|-----|-------------------|---|
| 1    | 2   | 36422             | Hydraulic Tail Lift Cylinder                            |
| 2    | 1   | 43595             | Transport Lock Arm                                      |
| 3    | 1   | 44371             | TL50 Cam Axle   |
| 4    | 4   | CB 5/8-11 X1.5 Z5 | Carriage Bolt - 5/8-11 x 1 1/2" Grade 5 Zinc            |
| 5    | 8   | CP 3/16 X 1.75    | Pin, Cotter 3/16 x 1.75                                 |
| 6    | 2   | GR 1/4 X 28       | Grease Fitting 1/4-28 Straight-Standard Zerk            |
| 7    | 3   | HB 1/2-13X2.25 Z5 | Hex Bolt 1/2-13x2 1/4 Grade 5 Zinc Plated Hex Cap Screw |
| 8    | 1   | HB 1-8X6.5 Z5     | Hex Bolt 1-8x6 1/2 Grade 5 Zinc Plated Hex Cap Screw    |
| 9    | 4   | HB 3/8-16X0.75 Z5 | Hex Bolt 3/8-16x3/4 Grade 5 Zinc Plated Hex Cap Screw   |
| 10   | 2   | HUB 4000#         | Complete Assembly Hub 4000                              |
| 11   | 2   | HUB4000-CCS       | Complete Bearing and Seal Kit                           |
| 12   | 1   | LN 1 N            | LN 1-8 Zinc Plated Nylon Insert Lock Nut                |
| 13   | 3   | LN 1/2 N          | LN 1/2-13 Zinc Plated Nylon Insert Lock Nut             |
| 14   | 8   | LN 5/8 N          | LN 5/8-11 Zinc Plated Nylon Insert Lock Nut             |
| 15   | 4   | TL5X2-500-116     | Cylinder Pin  |
| 16   | 1   | TL109-100-345     | Brake Pad   |
| 17   | 1   | TL109-100-355     | Powerdrive Assembly                                     |
| 18   | 2   | TL109-100-356     | Rear Axle Spindle                                       |
| 19   | 12  | TL500-100-072     | Wheel Stud - Wheel Bolt 9/16 x 1 3/4                    |
| 20   | 2   | TL550-200-134     | Rim c/w Gear  |
| 21   | 2   | WHE 27X10.5-15    | 27 X 10.5-15 Track Chief 6 Ply (Tire Only)              |

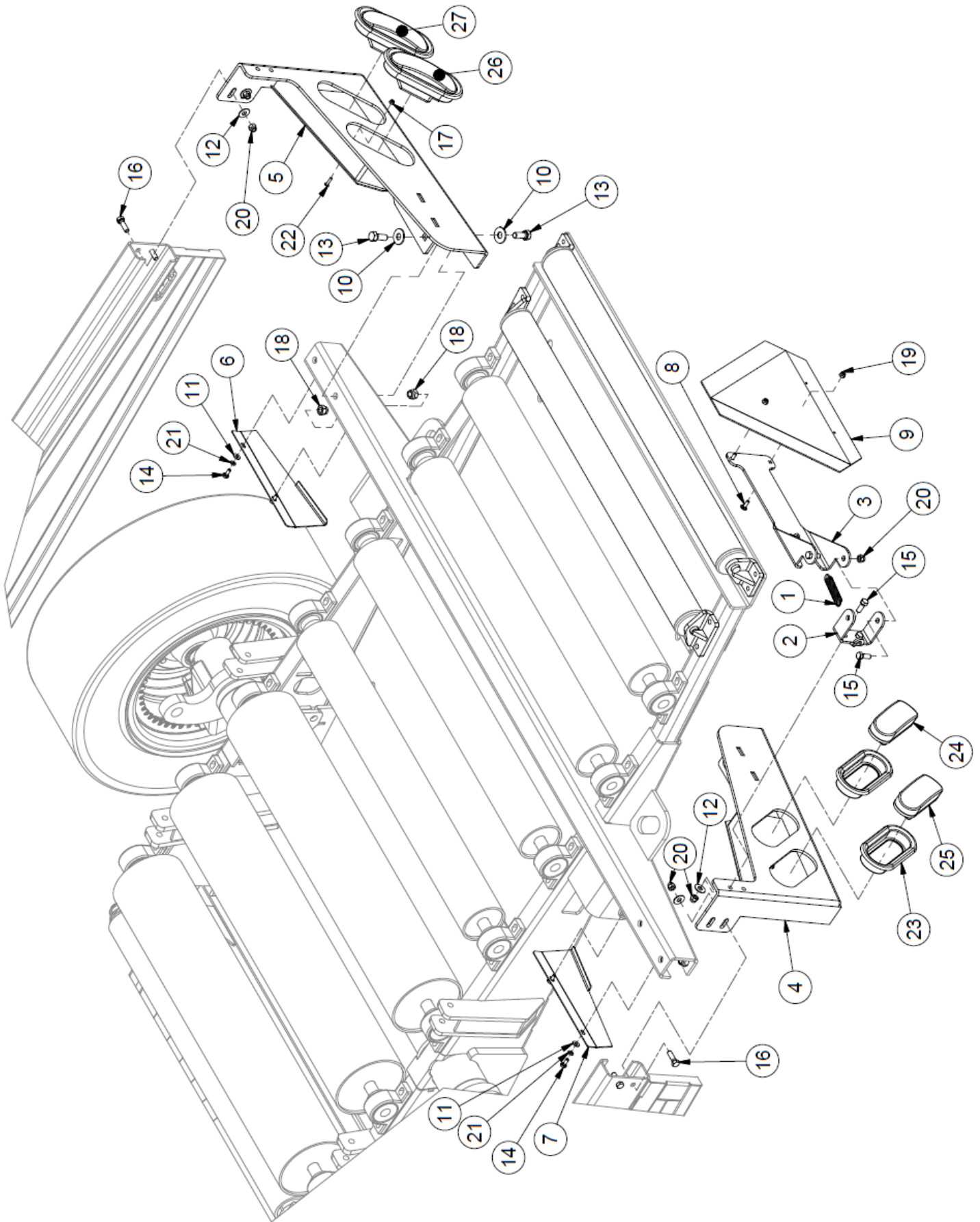
# Parking Brake



## Parking Brake

| ITEM | QTY | PART NUMBER       | DESCRIPTION   |
|------|-----|-------------------|---|
| 1    | 1   | HB 1/2-13X2.25 Z5 | Hex Bolt 1/2-13x2 1/4 Grade 5 Zinc Plated Hex Cap Screw |
| 2    | 4   | HB 3/8-16X0.75 Z5 | Hex Bolt 3/8-16x3/4 Grade 5 Zinc Plated Hex Cap Screw   |
| 3    | 1   | LN 1/2 N          | LN 1/2-13 Zinc Plated Nylon Insert Lock Nut             |
| 4    | 1   | TL109-100-345     | Brake Pad   |
| 5    | 1   | 25116             | Drive Engaging Plate                                    |
| 6    | 1   | 25119             | Outside Plate Guide                                     |
| 7    | 1   | 25121             | Handle Lock   |
| 8    | 1   | 25122             | Handle  |
| 9    | 1   | 25123             | Bolt-on Plate   |
| 10   | 1   | 25124             | Plate - Power Drive Weldment                            |
| 11   | 2   | FW 1/2            | Flatwasher - 1/2" Zinc Plated USS                       |
| 12   | 2   | FW 1/4            | Flatwasher - 1/4" Zinc Plated USS                       |
| 13   | 1   | GR 1/4 X 28       | Grease Fitting 1/4-28 Straight Standard Zerk            |
| 14   | 2   | HB 1/2-13X1.5 Z5  | Hex Bolt 1/2-13x1 1/2 Grade 5 Zinc Plated Hex Cap Screw |
| 15   | 3   | HB 1/2X5/8 SS     | Socket Head Shoulder Screws - 1/2 Shldr x 5/8 x 3/8-16  |
| 16   | 2   | HB 1/4-20X0.5 Z5  | Hex Bolt 1/4-20x1/2 Grade 5 Zinc Plated Hex Cap Screw   |
| 17   | 2   | PB 1/2-13X2.5     | Plow Bolts - 1/2-13 x 2 1/2 Flat Head Gr.5              |
| 18   | 1   | WHEEL2012         | Outside Handle Washer                                   |
| 19   | 1   | WHEEL20121        | Inside Handle Washer                                    |
| 20   | 1   | WHEEL9            | Eccentric   |

# Rear Light Brackets

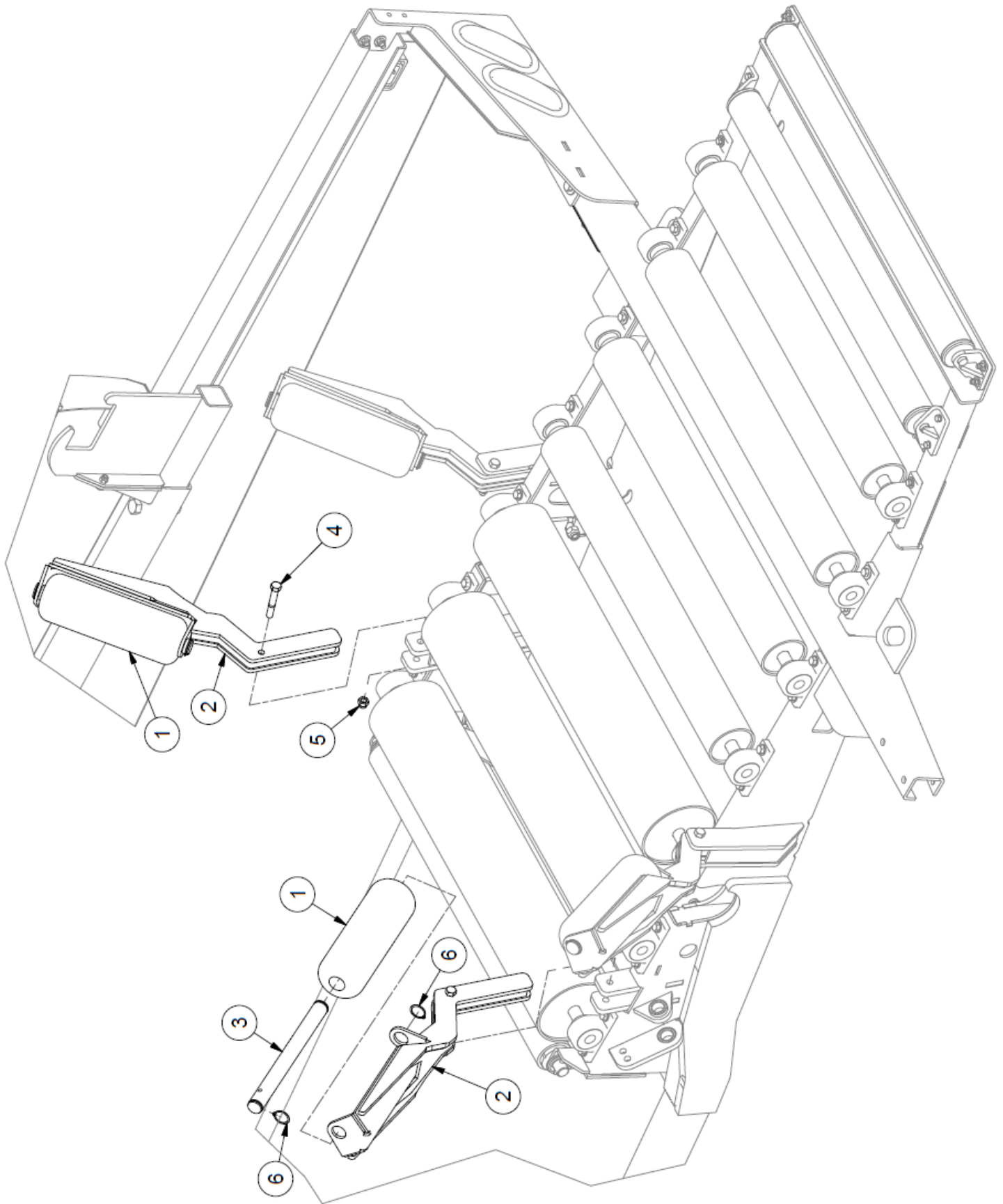


## Rear Light Brackets

| ITEM | QTY | PART NUMBER        | DESCRIPTION   | NOTE          |
|------|-----|--------------------|---|---------------|
| 1    | 1   | 28771              | SMV Spring  |               |
| 2    | 1   | 44203              | SMV Bracket   |               |
| 3    | 1   | 44204              | SMV Attachment  |               |
| 4    | 1   | 44205              | Left Rear Corner  |               |
| 5    | 1   | 44209              | Rear Right Light Mount                                  |               |
| 6    | 1   | 44367              | Right Rear Cross Member Cap                             |               |
| 7    | 1   | 44368              | Left Rear Cross Member Cap                              |               |
| 8    | 2   | CB 1/4-20 X0.75 Z5 | Carriage Bolt - 1/4-20 x 3/4" Grade 5 Zinc              |               |
| 9    | 1   | DESMV              | Slow Moving Vehicle Sign                                |               |
| 10   | 8   | FW 1/2             | Flatwasher - 1/2" Zinc Plated USS                       |               |
| 11   | 4   | FW 1/4             | Flatwasher - 1/4" Zinc Plated USS                       |               |
| 12   | 4   | FW 3/8             | Flatwasher - 3/8" Zinc Plated USS                       |               |
| 13   | 8   | HB 1/2-13X1.25 Z5  | Hex Bolt 1/2-13x1 1/4 Grade 5 Zinc Plated Hex Cap Screw |               |
| 14   | 4   | HB 1/4-20X0.625 Z5 | Hex Bolt 1/4-20x5/8 Grade 5 Zinc Plated Hex Cap Screw   |               |
| 15   | 4   | HB 3/8-16X1 Z5     | Hex Bolt 3/8-16x1 Grade 5 Zinc Plated Hex Cap Screw     |               |
| 16   | 4   | HB 3/8-16X1.25 Z5  | Hex Bolt 3/8-16x1 1/4 Grade 5 Zinc Plated Hex Cap Screw |               |
| 17   | 2   | LN #10 N           | LN 3/16-24 Zinc Plated Nylon Insert Lock Nut            |               |
| 18   | 8   | LN 1/2 N           | LN 1/2-13 Zinc Plated Nylon Insert Lock Nut             |               |
| 19   | 2   | LN 1/4 N           | LN 1/4-20 Zinc Plated Nylon Insert Lock Nut             |               |
| 20   | 8   | LN 3/8 N           | LN 3/8-16 Zinc Plated Nylon Insert Lock Nut             |               |
| 21   | 4   | LW 1/4             | LW - 1/4" Zinc Plated Medium Split                      |               |
| 22   | 2   | MS #10X24X0.75     | Machine Screw - (Inch)                                  |               |
| 23   | 4   | TL5X2-500-136      | Light Grommet   |               |
| 24   | 2   | TL5X2-500-137      | Red Brake Light   |               |
| 25   | 2   | TL5X2-500-138      | Amber Brake Light                                       |               |
| 26   | 2   | TL5X2-500-140      | Red Light Kit   | Items 23 & 24 |
| 27   | 2   | TL5X2-500-141      | Amber Light Kit   | Items 23 & 25 |



## Guide Rollers - Standard

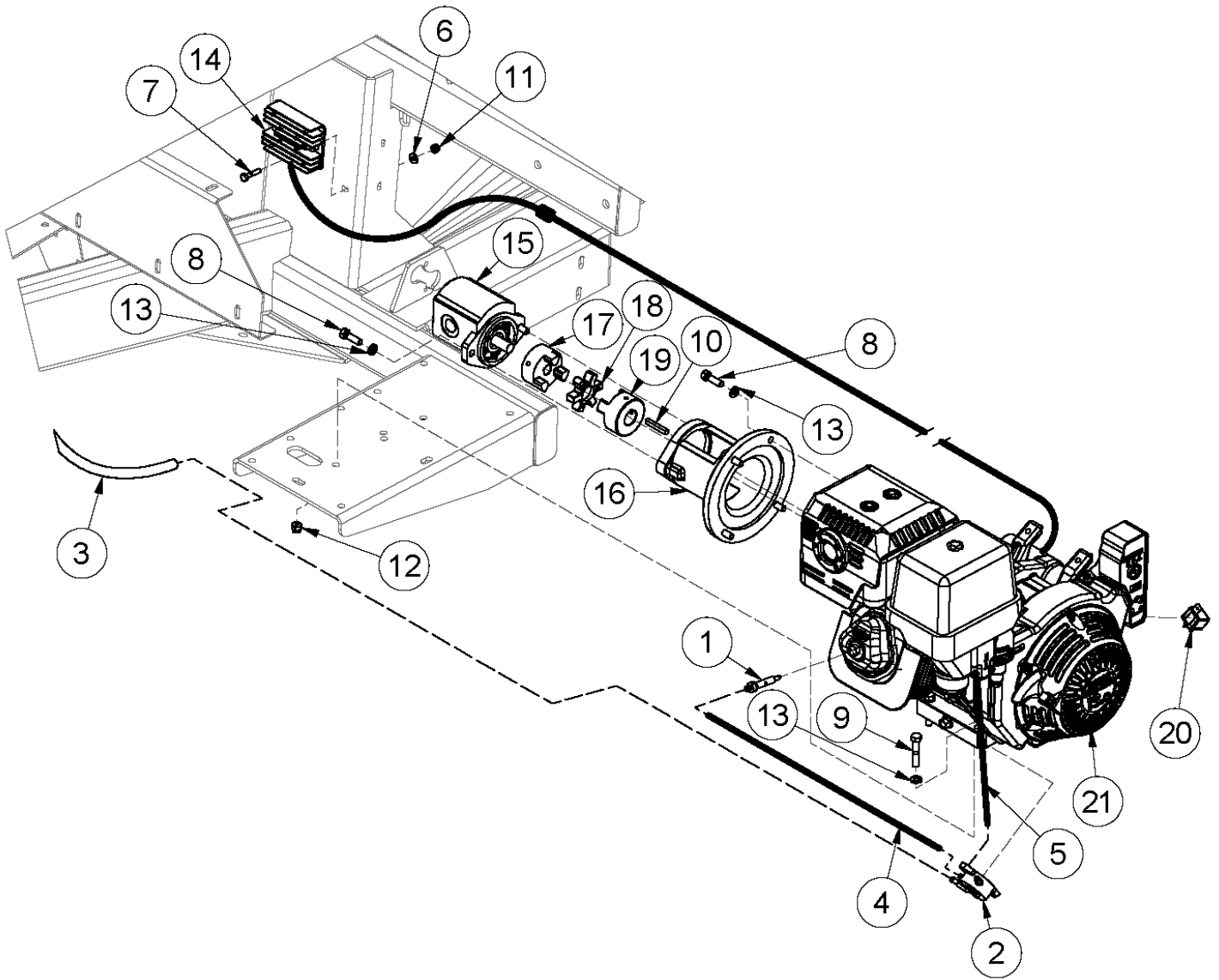


## Guide Rollers - Standard

| ITEM | QTY | PART NUMBER       | DESCRIPTION   |
|------|-----|-------------------|---|
| 1    | 2   | 43631             | Guide Roller  |
| 2    | 2   | 43723             | Guide Roller Mount                                      |
| 3    | 2   | 43808             | Guide Roller Shaft                                      |
| 4    | 2   | HB 1/2-13X3.25 Z5 | Hex Bolt 1/2-13x3 1/4 Grade 5 Zinc Plated Hex Cap Screw |
| 5    | 2   | LN 1/2 N          | LN 1/2-13 Zinc Plated Nylon Insert Lock Nut             |
| 6    | 4   | RR 1.188          | Retaining Ring-1 3/16- External                         |

## Section 2: Engines

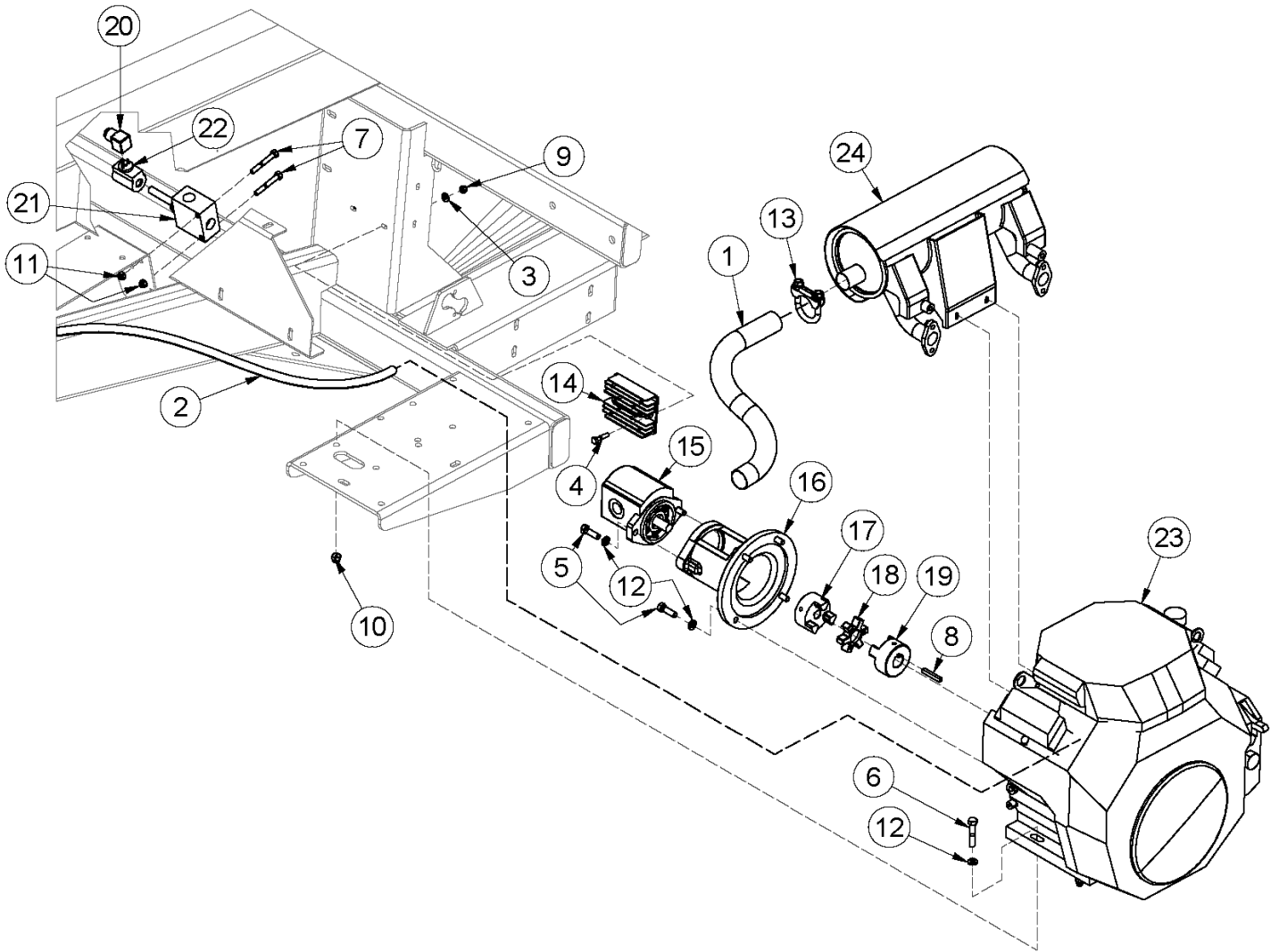
### TL13HP - 13hp Honda



## TL13Hp - 13hp Honda

| ITEM | QTY | PART NUMBER        | DESCRIPTION   |
|------|-----|--------------------|---|
| 1    | 1   | 25591              | 13HP Valve Cover Bolt for Fuel Pump                             |
| 2    | 1   | 25649              | Fuel Pump (Honda #16700Z0J013)                                  |
| 3    | 1   | 40957              | Long Fuel Line  |
| 4    | 1   | 40962              | Piston Discharge Line   |
| 5    | 1   | 40963              | Engine Fuel Line  |
| 6    | 2   | FW 1/4             | Flatwasher - 1/4" Zinc Plated USS                               |
| 7    | 2   | HB 1/4-20X1.1/4 Z5 | Hex Bolt - 1/4"-20 x 1-1/4" Grade 5 Zinc Plated Hex Cap Screw   |
| 8    | 6   | HB 3/8-16X1.1/4 Z5 | Hex Bolt 3/8-16 x 1 1/4" Grade 5 Zinc Plated Hex Cap Screw N.C. |
| 9    | 4   | HB 3/8-16X2.0 Z5   | Hex Bolt 3/8-16 x 2" Grade 5 Zinc Plated Hex Cap Screw N.C.     |
| 10   | 1   | KS40960            | Key .25 x 1.75  |
| 11   | 2   | LN 1/4 N           | Locknuts - 1/4-20 Zinc Plated Nylon Insert                      |
| 12   | 4   | LN 3/8 N           | Locknuts - 3/8-16 Zinc Plated Nylon Insert Lock Nut             |
| 13   | 10  | LW 3/8             | Lockwasher - 3/8" Zinc Plated Medium Split                      |
| 14   | 1   | TL31620-ZG5-033    | Honda 20 Amp Rectifier for 13.5 & 20 HP (GX620 Engine Only)     |
| 15   | 1   | TL500-100-181      | Hydraulic Pump (13 HP Engine)                                   |
| 16   | 1   | TL500-100-182      | Adapter, Engine to Pump   |
| 17   | 1   | TL500-100-183      | Lovejoy Coupling Pump Side                                      |
| 18   | 1   | TL500-100-184      | Coupling Spacer   |
| 19   | 1   | TL500-100-185      | Love Joy Coupling Engine Side                                   |
| 20   | 1   | TL500-100-220      | 35 AMP Relay  |
| 21   | 1   | TL5X2-100-200      | 13 HP Honda 18 Amp Engine                                       |

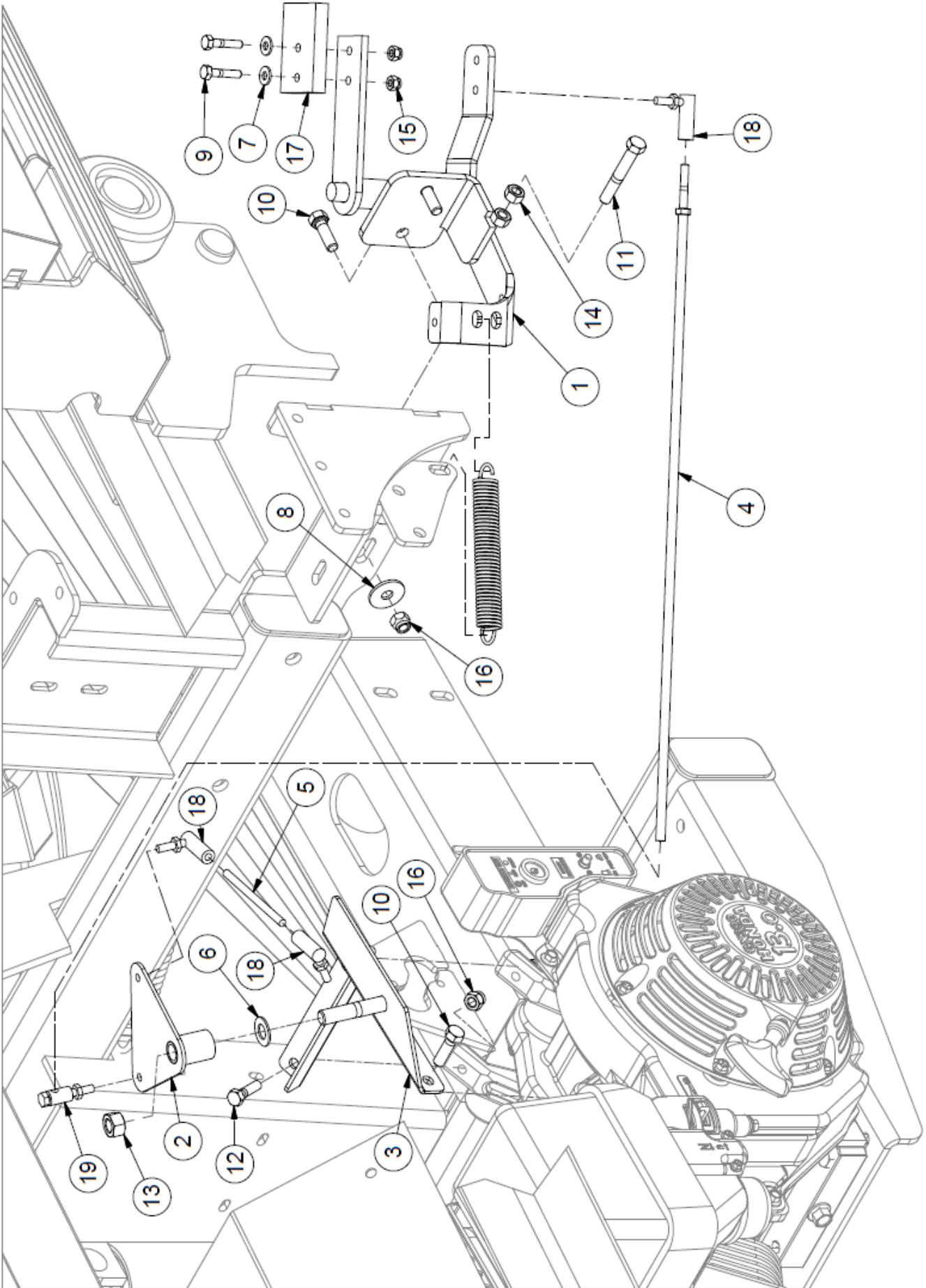
# TL20HP - 20hp Honda



## TL20HP - 20hp Honda

| ITEM | QTY | PART NUMBER         | DESCRIPTION   |
|------|-----|---------------------|---|
| 1    | 1   | 36945               | 20 HP Muffler Pipe  |
| 2    | 1   | 40957               | Long Fuel Line  |
| 3    | 2   | FW 1/4              | Flatwasher - 1/4" Zinc Plated USS (6480)                        |
| 4    | 2   | HB 1/4-20X1.1/4 Z5  | Hex Bolt - 1/4"-20 x 1-1/4" Grade 5 Zinc Plated Hex Cap Screw   |
| 5    | 6   | HB 3/8-16X1.1/4 Z5  | Hex Bolt 3/8-16 x 1 1/4" Grade 5 Zinc Plated Hex Cap Screw N.C. |
| 6    | 4   | HB 3/8-16X2.0 Z5    | Hex Bolt 3/8-16 x 2" Grade 5 Zinc Plated Hex Cap Screw N.C.     |
| 7    | 2   | HB 5/16-18X2.1/4 Z5 | Hex Bolt - 5/16-18 x 2-1/4 Grade 5 Zinc Hex Cap Screw           |
| 8    | 1   | KS40960             | Key .25 x 1.75  |
| 9    | 2   | LN 1/4 N            | Locknuts - 1/4-20 Zinc Plated Nylon Insert                      |
| 10   | 4   | LN 3/8 N            | Locknuts - 3/8-16 Zinc Plated Nylon Insert Lock Nut             |
| 11   | 2   | LN 5/16 N           | Locknut - 5/16-18 Type NE Zinc Plated Nylon Insert              |
| 12   | 10  | LW 3/8              | Lockwasher - 3/8" Zinc Plated Medium Split (5500)               |
| 13   | 1   | MC 1 1/2            | Muffler Clamp 1 1/2" Pipe (MC7112)                              |
| 14   | 1   | TL31750-Z2E-803     | Honda 20AMP Rectifier for GX630 Engine                          |
| 15   | 1   | TL5X2-101-181       | Hydraulic Pump (20 HP Engine)                                   |
| 16   | 1   | TL500-100-182       | Adapter, Engine to Pump   |
| 17   | 1   | TL500-100-183       | Lovejoy Coupling Pump Side                                      |
| 18   | 1   | TL500-100-184       | Coupling Spacer   |
| 19   | 1   | TL500-100-185       | Love Joy Coupling Engine Side                                   |
| 20   | 1   | 31305               | Wiring Harness for Dump Valve                                   |
| 21   | 1   | TL6X2-102-202       | Dump Valve (Includes Base and Relief)                           |
| 21A  | 1   | 31545               | Dump Valve Body and Cartridge (20 HP)                           |
| 22   | 1   | TL6X2-102-204       | Dump Valve Solenoid (Coil) Round Coil                           |
| 22A  | 1   | 31546               | Dump Valve Solenoid (Coil) Square Coil                          |
| 23   | 1   | TL6X2-100-200       | 20 HP Honda Engine  |
| 24   | 1   | TLVHRM6             | Muffler   |

# 13hp Throttle Linkage

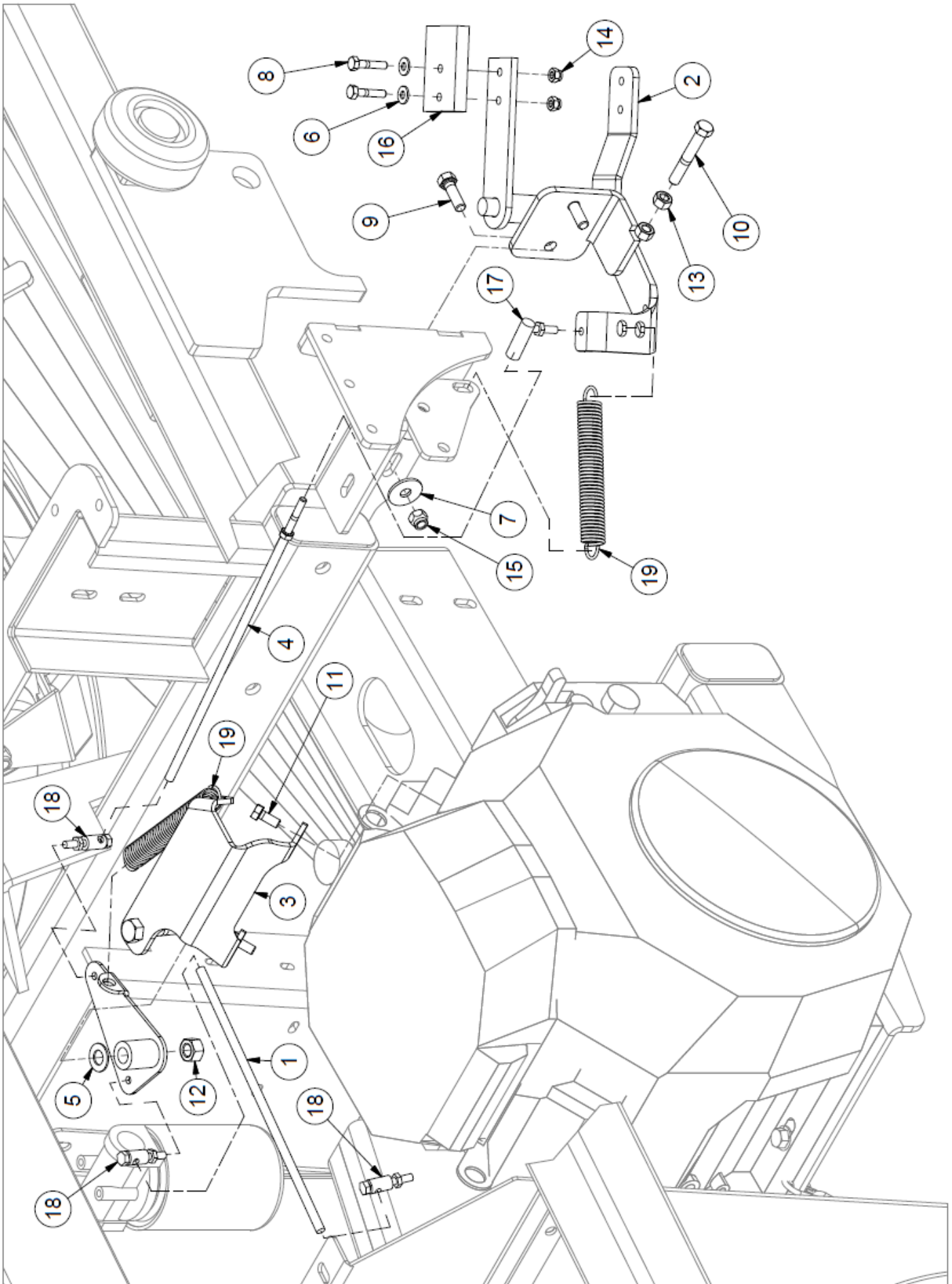


## 13hp Throttle Linkage

| ITEM | QTY | PART NUMBER        | DESCRIPTION  |
|------|-----|--------------------|--|
| 1    | 1   | 43821              | Throttle Bracket   |
| 2    | 1   | 43822              | Throttle Swivel Plate                                    |
| 3    | 1   | 43823              | Throttle Swivel Mount Base                               |
| 4    | 1   | 43828              | 13hp Control Rod   |
| 5    | 1   | 43831              | 1/4 x 4 UNF Rod  |
| 6    | 1   | FW 1/2             | Flatwasher - 1/2" Zinc Plated USS                        |
| 7    | 2   | FW 1/4             | Flatwasher - 1/4" Zinc Plated USS                        |
| 8    | 2   | FW 3/8             | Flatwasher - 3/8" Zinc Plated USS                        |
| 9    | 2   | HB 1/4-20X1.25 Z5  | Hex Bolt 1/4-20x1 1/4 Grade 5 Zinc Plated Hex Cap Screw  |
| 10   | 1   | HB 3/8-16X1.25 Z5  | Hex Bolt 3/8-16x1 1/4 Grade 5 Zinc Plated Hex Cap Screw  |
| 11   | 1   | HB 3/8-16X2.5 Z5   | Hex Bolt 3/8-16x2 1/2 Grade 5 Zinc Plated Hex Cap Screw  |
| 12   | 2   | HB 5/16-18X1.25 Z5 | Hex Bolt 5/16-18x1 1/4 Grade 5 Zinc Plated Hex Cap Screw |
| 13   | 1   | HN 1/2             | Hex Nut 1/2"-13 Grade 5 Zinc Plated Finished             |
| 14   | 1   | HN 3/8             | Hex Nut 3/8"-16 Grade 5 Zinc Plated Finished             |
| 15   | 2   | LN 1/4 N           | LN 1/4-20 Zinc Plated Nylon Insert Lock Nut              |
| 16   | 5   | LN 3/8 N           | LN 3/8-16 Zinc Plated Nylon Insert Lock Nut              |
| 17   | 1   | TL5X2-100-232      | Striker Block  |
| 18   | 3   | TL550-100-065      | Ball Joint   |
| 19   | 1   | TL550-100-067      | Pivot/Linkage  |



## 20hp Throttle Linkage

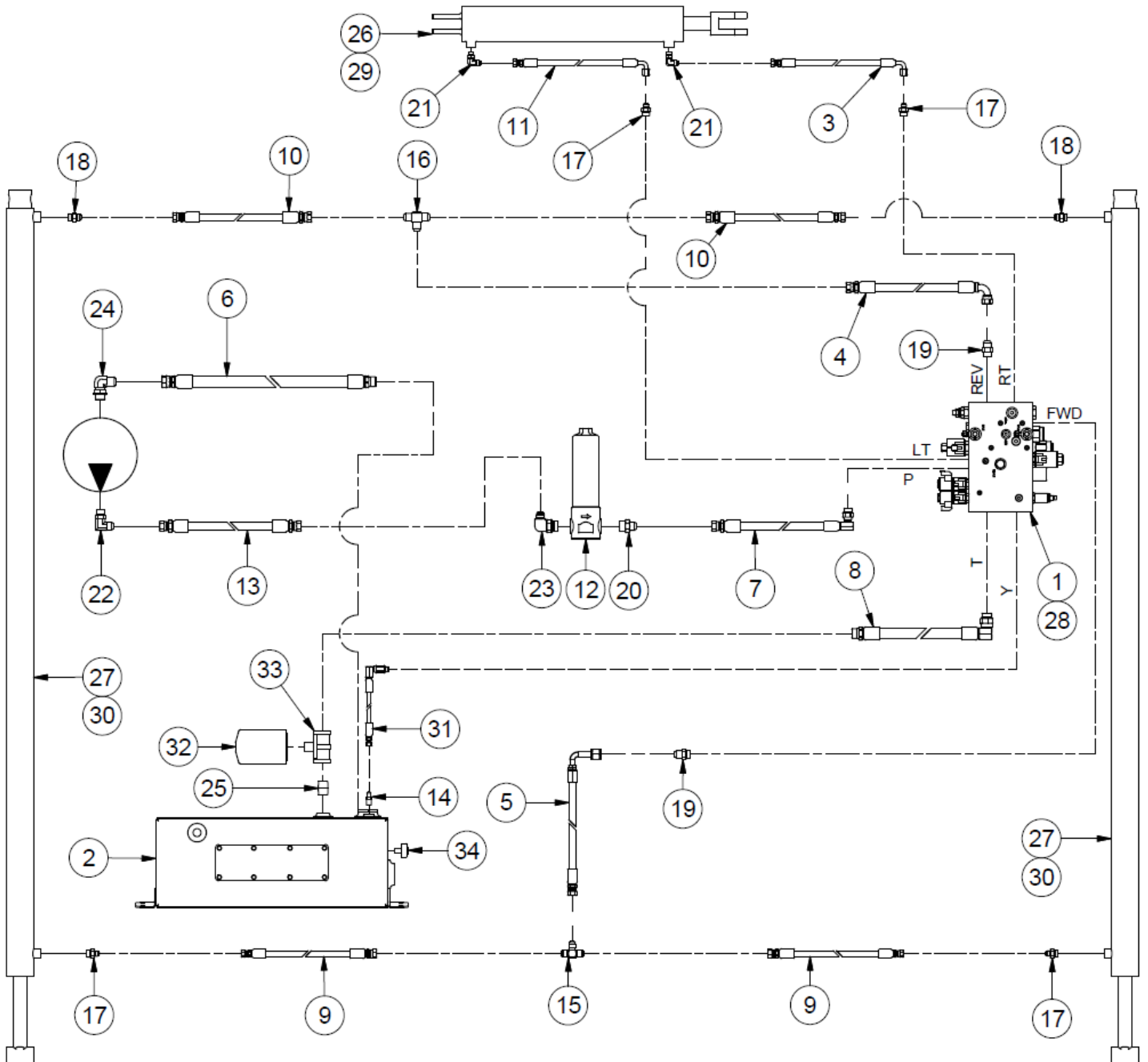


## 20hp Throttle Linkage

| ITEM | QTY | PART NUMBER        | DESCRIPTION   |
|------|-----|--------------------|---|
| 1    | 1   | 25715              | 20hp Rod  |
| 2    | 1   | 43821              | Throttle Bracket  |
| 3    | 1   | 43827              | 20hp Throttle Base                                      |
| 4    | 1   | 43833              | 20hp Rod Weldment                                       |
| 5    | 1   | FW 1/2             | Flatwasher - 1/2" Zinc Plated USS                       |
| 6    | 2   | FW 1/4             | Flatwasher - 1/4" Zinc Plated USS                       |
| 7    | 2   | FW 3/8             | Flatwasher - 3/8" Zinc Plated USS                       |
| 8    | 2   | HB 1/4-20X1.25 Z5  | Hex Bolt 1/4-20x1 1/4 Grade 5 Zinc Plated Hex Cap Screw |
| 9    | 2   | HB 3/8-16X1.25 Z5  | Hex Bolt 3/8-16x1 1/4 Grade 5 Zinc Plated Hex Cap Screw |
| 10   | 1   | HB 3/8-16X2.5 Z5   | Hex Bolt 3/8-16x2 1/2 Grade 5 Zinc Plated Hex Cap Screw |
| 11   | 2   | HB 5/16-18X0.75 Z5 | Hex Bolt 5/16-18x3/4 Grade 5 Zinc Plated Hex Cap Screw  |
| 12   | 1   | HN 1/2             | Hex Nut 1/2"-13 Grade 5 Zinc Plated Finished            |
| 13   | 1   | HN 3/8             | Hex Nut 3/8"-16 Grade 5 Zinc Plated Finished            |
| 14   | 2   | LN 1/4 N           | LN 1/4-20 Zinc Plated Nylon Insert Lock Nut             |
| 15   | 2   | LN 3/8 N           | LN 3/8-16 Zinc Plated Nylon Insert Lock Nut             |
| 16   | 1   | TL5X2-100-232      | Striker Block   |
| 17   | 1   | TL550-100-065      | Ball Joint  |
| 18   | 3   | TL550-100-067      | Pivot/Linkage   |
| 19   | 2   | TL550-100-069      | Throttle Spring   |

# Section 3: Hydraulics

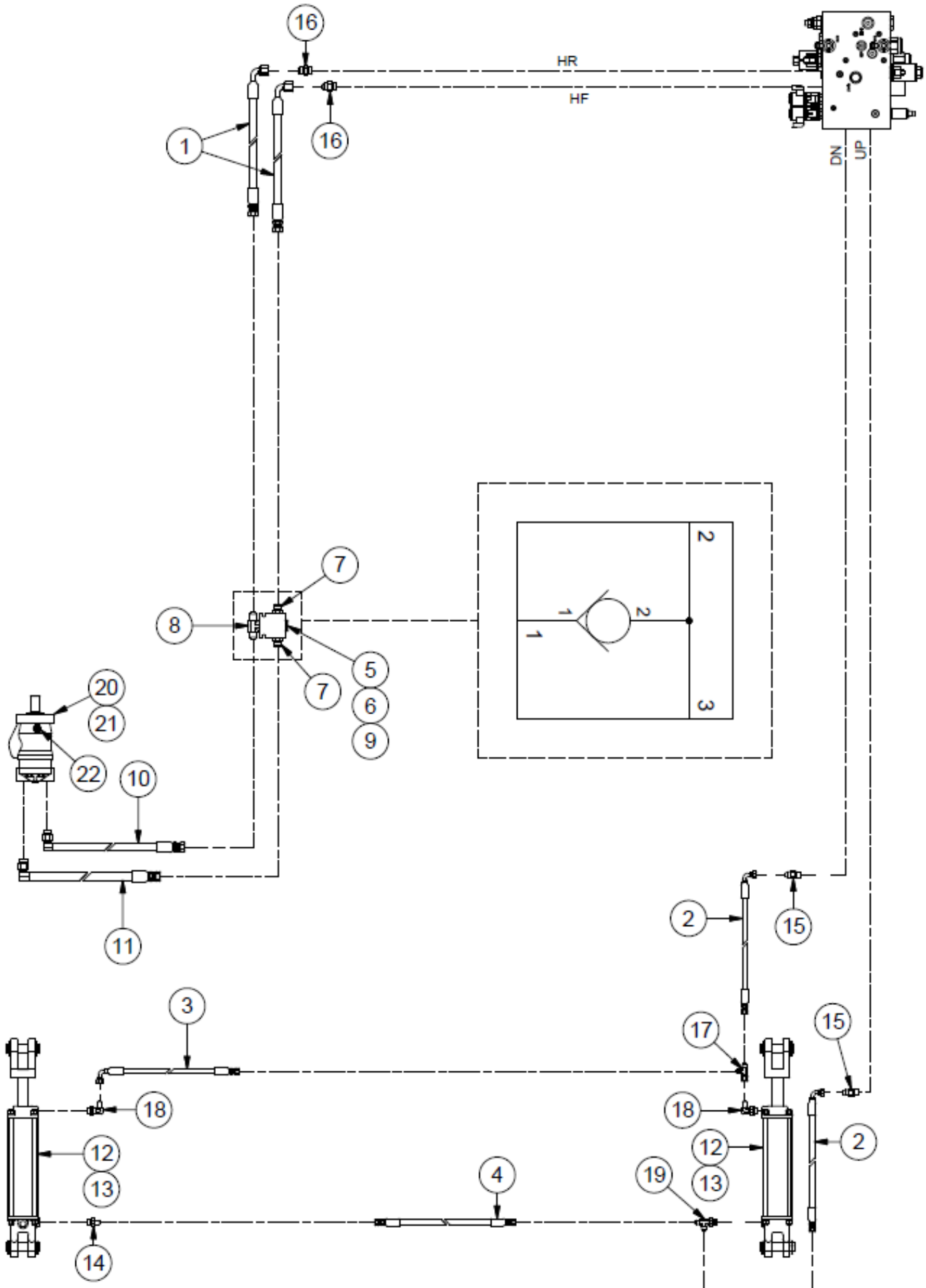
## Hydraulic Layout - Front Circuits



## Hydraulic Layout - Front Circuits

| ITEM | QTY | PART NUMBER         | DESCRIPTION  |
|------|-----|---------------------|--|
| 1    | 1   | 30298               | ECV Bale Wrapper Main Manifold Block                 |
| 2    | 1   | 31695               | ECV, Wrapper, Hydraulic Oil Tank                     |
| 3    | 1   | 31775               | HH78-6AT1(6FJX90S,6FJX) HCL 78"                      |
| 4    | 1   | 31776               | HH61.5-10AT1(10FJX90S,10FJX) HCL61.5"                |
| 5    | 1   | 31777               | HH38-8AT1(10FJX90L,8FJX) HCL 38"                     |
| 6    | 1   | 31779               | HH40-12G4H(12MP,12FJX) HCL40"                        |
| 7    | 1   | 31780               | HH54-10AT1(10MBX90,10FJX) HCL54.0"                   |
| 8    | 1   | 31787               | HH30- 12G4H(12MP,12MBX90) 30HCL                      |
| 9    | 2   | 31799               | HH42-6AT1(6FJX,8FJX) HCL 42"                         |
| 10   | 2   | 31938               | HH43-8AT1(10FJX,8FJX) HCL 43"                        |
| 11   | 1   | 32501               | HH95-6AT1(6FJX90L,6FJX) HCL 95"                      |
| 12   | 1   | 41878               | High Pressure Filter                                 |
| 13   | 1   | 42760               | Hose - HH16 - 10AT1(10FJX,10FJX) HCL 16"             |
| 14   | 1   | HF 2404-4-4         | Hydraulic Fitting - Male JIC - Male Pipe             |
| 15   | 1   | HF 2603-8-8-8       | Hydraulic Fitting                                    |
| 16   | 1   | HF 2603-10-10-10    | Hyd Fitting MJIC to MJIC to MJIC                     |
| 17   | 4   | HF 6400-6-8         | Hydraulic Fitting - Male JIC - Male ORB              |
| 18   | 2   | HF 6400-8-8         | Hydraulic Fitting - O-Ring to JIC Adapter            |
| 19   | 2   | HF 6400-10-10       | Hydraulic Fitting - Male JIC - Male ORB              |
| 20   | 1   | HF 6400-10-12       | Hydraulic Adapter - JIC to O-Ring                    |
| 21   | 2   | HF 6801-6-6         | Hydraulic Fitting - 90 Degree O-Ring to JIC          |
| 22   | 1   | HF 6801-10-10       | Forged Fitting - 5/8" JIC x 5/8" SAE 90 Deg. Elbow   |
| 23   | 1   | HF 6801-10-12       | Hyd Fitting - 5/8" JIC x 5/8" SAE 90 Deg. Elbow      |
| 24   | 1   | HF 6801-12-12       | Forged Fitting - 3/4" JIC X 3/4" SAE 90 Degree Elbow |
| 25   | 1   | PI 3/4 CLOSE NIPPLE | Close Nipple SCH 80 3/4                              |
| 26   | 1   | SK AGU201125-10     | Seal Kit   |
| 27   | 2   | SK25                | Seal Kit for Ram Cylinder                            |
| 28   | 1   | SK1031DBSK          | Seal Kit for Main ECV Manifold                       |
| 29   | 1   | TL500-100-103       | Hydraulic Cylinder, 2 x 16                           |
| 30   | 2   | TL550-100-043       | Ram Cylinder   |
| 31   | 1   | TLE101-09           | Hose - HH25-4ATI(4FJXH-6MBX90)25"HCL                 |
| 32   | 1   | VAL HEK44           | HEK44-20-135-AS-SP010-B Filter Element               |
| 33   | 1   | VAL HF620           | HF620.20-B17-NE-XA-NA-XB-NA Filter Base              |
| 34   | 1   | VAL HL91            | HL91-20-T1-T-B Level Gauge                           |

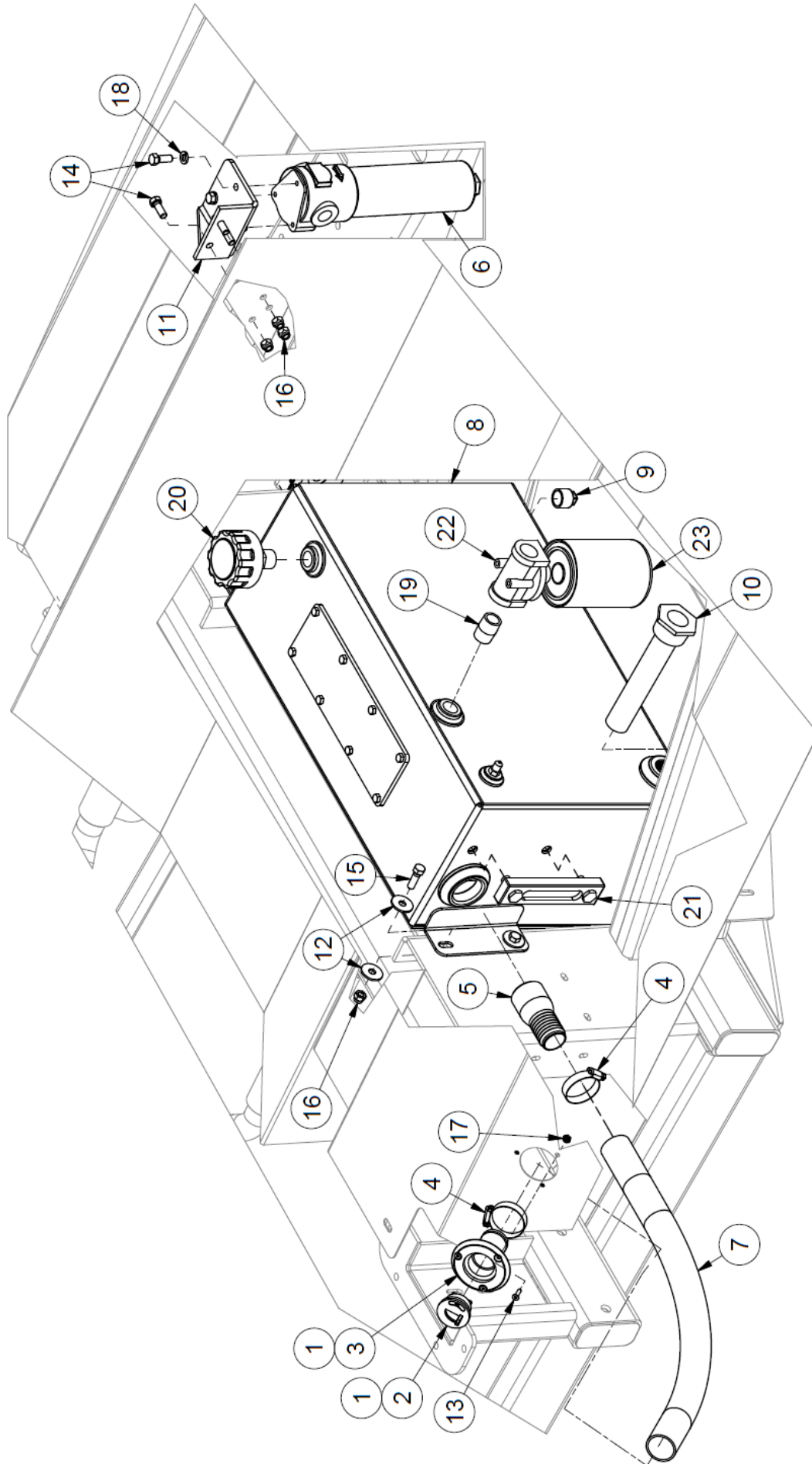
# Hydraulic Layout - Rear Circuits



## Hydraulic Layout - Rear Circuits

| ITEM | QTY | PART NUMBER          | DESCRIPTION   | NOTE        |
|------|-----|----------------------|---|-------------|
| 1    | 2   | 31778                | HH69-8AT1(8FJX90S,8FJX) HCL 69"                           |             |
| 2    | 2   | 31781                | HH112"-4AT2( 6FJX, 6FJX90S)112"HCL                        |             |
| 3    | 1   | 31782                | HH68"-4AT2( 6FJX, 6FJX90S)68"HCL                          |             |
| 4    | 1   | 31783                | HH54"-4AT2(6FJX, 6FJX)54"HCL                              |             |
| 5    | 1   | 32649                | ECV Spindown Check Valve Assembly (in Body with Adaptors) | Items 6 - 9 |
| 6    | 1   | 43576                | CV10-20 Spindown Check Valve Cartridge                    |             |
| 7    | 2   | HF 6400-8-8          | Hydraulic Fitting - O-Ring to JIC Adapter                 |             |
| 8    | 1   | HF 2601-8-8-8        | JIC to Pipe Branch Tee                                    |             |
| 9    | 1   | SK43577              | CV10-20 Spindown Check Valve Seal Kit                     |             |
| 10   | 1   | 32650                | HH5 - 8AT1(10MBX90,8FJX) HCL 5"                           |             |
| 11   | 1   | 36033                | HH10-8AT1(10MBX90,8FJX) HCL 10"                           |             |
| 12   | 2   | 36422                | Hydraulic Cylinder for TLR5000 Lift Tail                  |             |
| 13   | 2   | SK AGU301250-10      | Seal Kit F/Tail Gate (Cylinder 3.0")                      |             |
| 14   | 1   | HF 6400-4-6          | Hydraulic Fitting - Male JIC - Male ORB                   |             |
| 15   | 2   | HF 6400-6-6          | Hydraulic Fitting - Male JIC - Male ORB                   |             |
| 16   | 2   | HF 6400-8-8          | Hydraulic Fitting - O-Ring to JIC Adapter                 |             |
| 17   | 1   | HF 6602-4-4-4        | Hyd Fitting Run Tee M-JIC/F-JIC-M-JIC                     |             |
| 18   | 2   | HF 6801-4-6          | Hydraulic Fitting - Male JIC - Male ORB 90 Degree         |             |
| 19   | 1   | HF 6804-4-6-4        | Hyd Fitting - Male JIC - Male ORB Tee                     |             |
| 20   | 1   | VAL MLHPQ200C7URS-NE | Hyd. Motor (Hoop Motor) Rear Ported with Sensor           |             |
| 21   | 1   | SKMLHPQUDE           | Seal Kit 400 Motor  |             |
| 22   | 1   | 32665                | ECV Hoop Speed Sensor                                     |             |

# Hydraulic Oil Tank



## Hydraulic Oil Tank

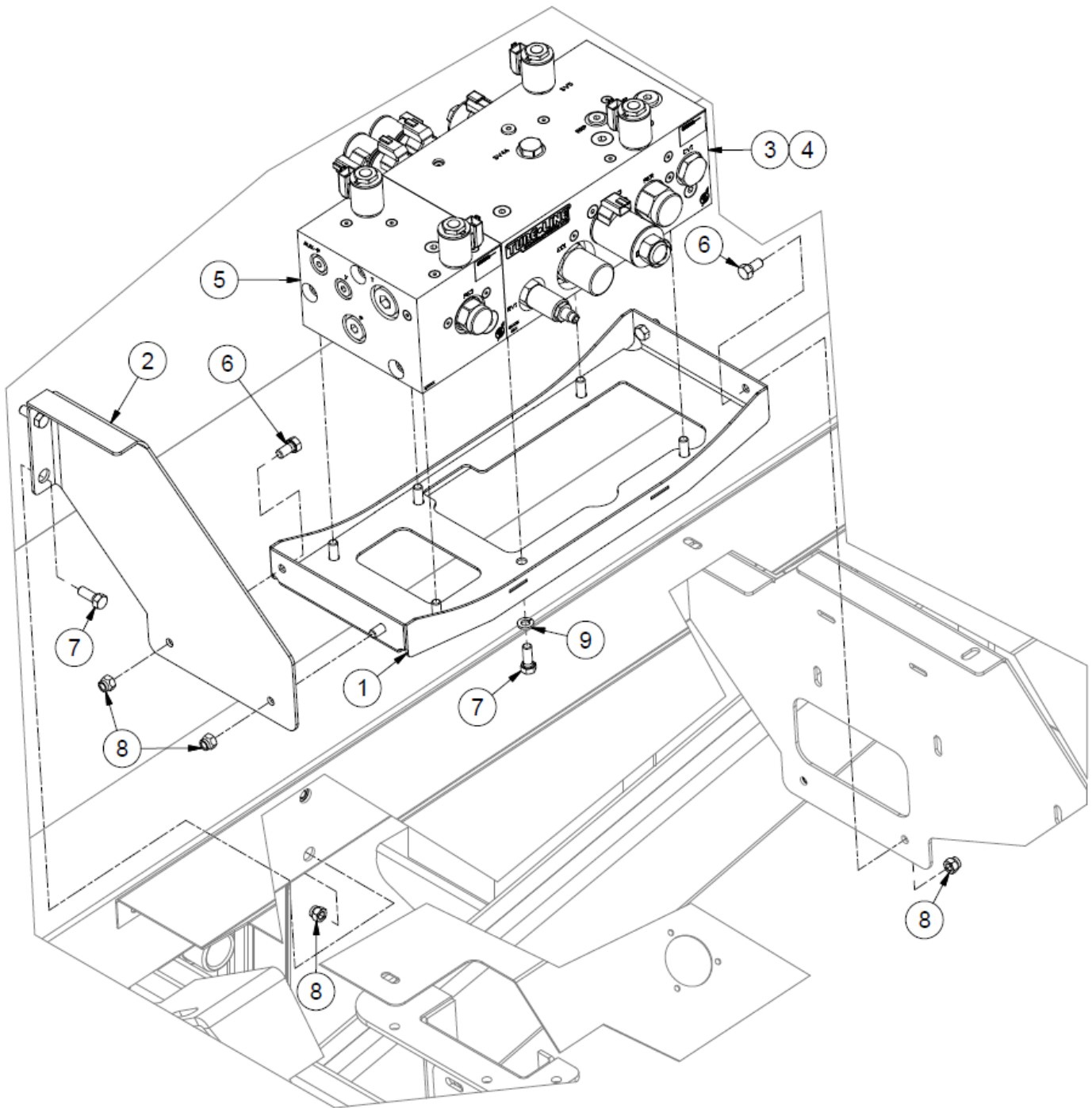
| ITEM | QTY | PART NUMBER          | DESCRIPTION   | NOTE             |
|------|-----|----------------------|---|------------------|
| 1    | 1   | 30870                | Hydraulic Oil Fill                                      | Inc. Items 2 & 3 |
| 2    | 1   | 30868                | Hydraulic Oil Fill Cap                                  |                  |
| 3    | 1   | 30869                | Hydraulic Oil Fill Body                                 |                  |
| 4    | 2   | 30884                | 2" Gear Clamp   |                  |
| 5    | 1   | 30894                | Oil Fill Barbed Fitting                                 |                  |
| 6    | 1   | 41878                | High Pressure Filter                                    |                  |
| 7    | 1   | 44111                | Oil Fill Tube   |                  |
| 8    | 1   | 44345                | Hydraulic Oil Tank                                      |                  |
| 9    | 1   | TL500-100-174        | Plug, Magnetic 3/4"                                     |                  |
| 10   | 1   | TL500-100-175        | Suction Strainer  |                  |
| 11   | 1   | 44358                | High Pressure Filter Bracket                            |                  |
| 12   | 8   | FW 3/8               | Flatwasher - 3/8" Zinc Plated USS                       |                  |
| 13   | 3   | HB #10-32X0.75 FHSCS | Hex Bolt - 3/16"-32 x 3/4" Flat Socket Cap Screw        |                  |
| 14   | 6   | HB 3/8-16X1 Z5       | Hex Bolt 3/8-16x1 Grade 5 Zinc Plated Hex Cap Screw     |                  |
| 15   | 4   | HB 3/8-16X1.25 Z5    | Hex Bolt 3/8-16x1 1/4 Grade 5 Zinc Plated Hex Cap Screw |                  |
| 16   | 7   | LN 3/8 N             | LN 3/8-16 Zinc Plated Nylon Insert Lock Nut             |                  |
| 17   | 3   | LN 10-24             | K-Lok Locknut   |                  |
| 18   | 3   | LW 3/8               | LW - 3/8" Zinc Plated Medium Split                      |                  |
| 19   | 1   | PI 3/4 CLOSE NIPPLE  | Close Nipple Sch 80 3/4                                 |                  |
| 20   | 1   | TL500-100-169        | Breather Cap  |                  |
| 21   | 1   | TL500-100-171        | Sight Gauge   |                  |
| 22   | 1   | TL500-100-172        | Filter Base   |                  |
| 23   | 1   | TL500-100-173        | 10 Micron Filter  |                  |

Oil in Unit: AW32 SAE10 Hydraulic Oil

| FILTER CROSS REFERENCE |           |
|------------------------|-----------|
| FILTER                 | REFERENCE |
| Stauf                  | SF6520    |
| Gresen                 | F22001    |
| Fram                   | P1653-A   |
| Fleetguard             | HF6510    |
| Cross                  | 1A9021    |

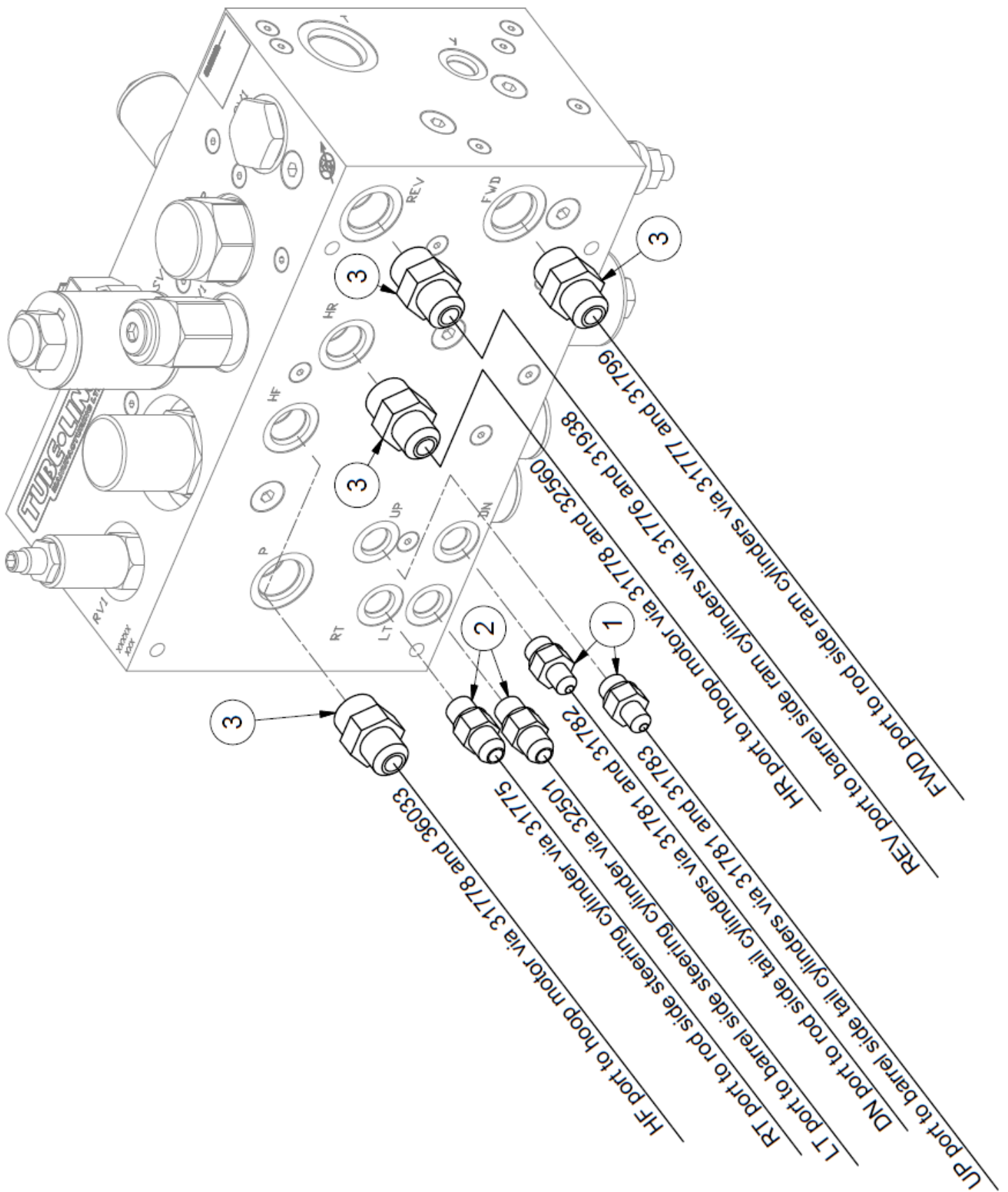


## Hydraulic Manifold Mount

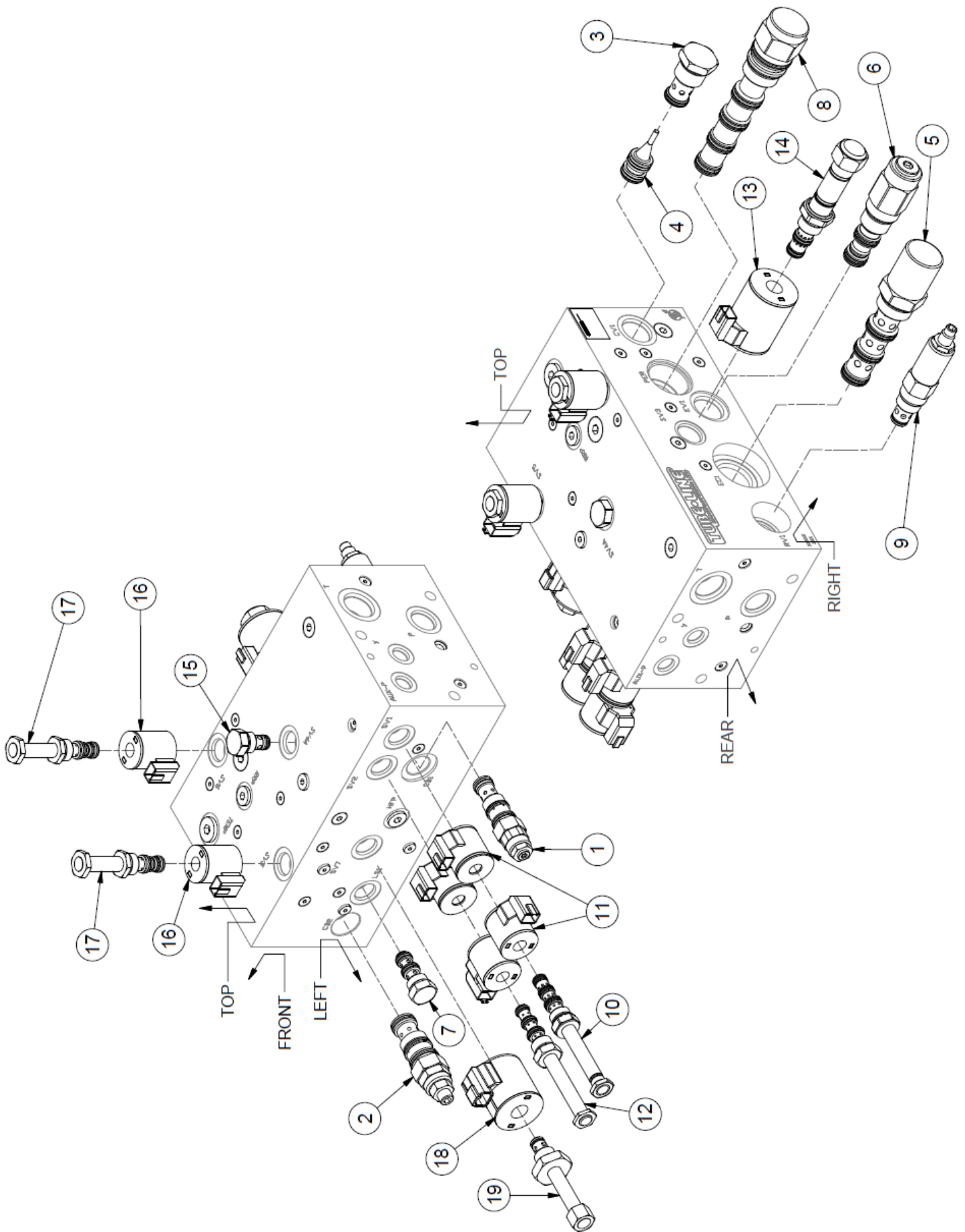


| ITEM | QTY | PART NUMBER       | DESCRIPTION   |
|------|-----|-------------------|---|
| 1    | 1   | 44340             | ECV Valve Mount                                       |
| 2    | 1   | 44343             | Inner Mount Support                                   |
| 3    | 1   | 30298             | ECV Bale Wrapper Main Manifold Block                  |
| 4    | 1   | SK1031DBSK        | Seal Kit for Main ECV Manifold                        |
| 5    | 1   | 30299             | ECV Bale Wrapper Powerdrive Manifold Block            |
| 6    | 4   | HB 3/8-16X0.75 Z5 | Hex Bolt 3/8-16x3/4 Grade 5 Zinc Plated Hex Cap Screw |
| 7    | 6   | HB 3/8-16X1 Z5    | Hex Bolt 3/8-16x1 Grade 5 Zinc Plated Hex Cap Screw   |
| 8    | 4   | LN 3/8 N          | LN 3/8-16 Zinc Plated Nylon Insert Lock Nut           |
| 9    | 6   | LW 3/8            | LW - 3/8" Zinc Plated Medium Split                    |

# Hydraulic Manifold Connections



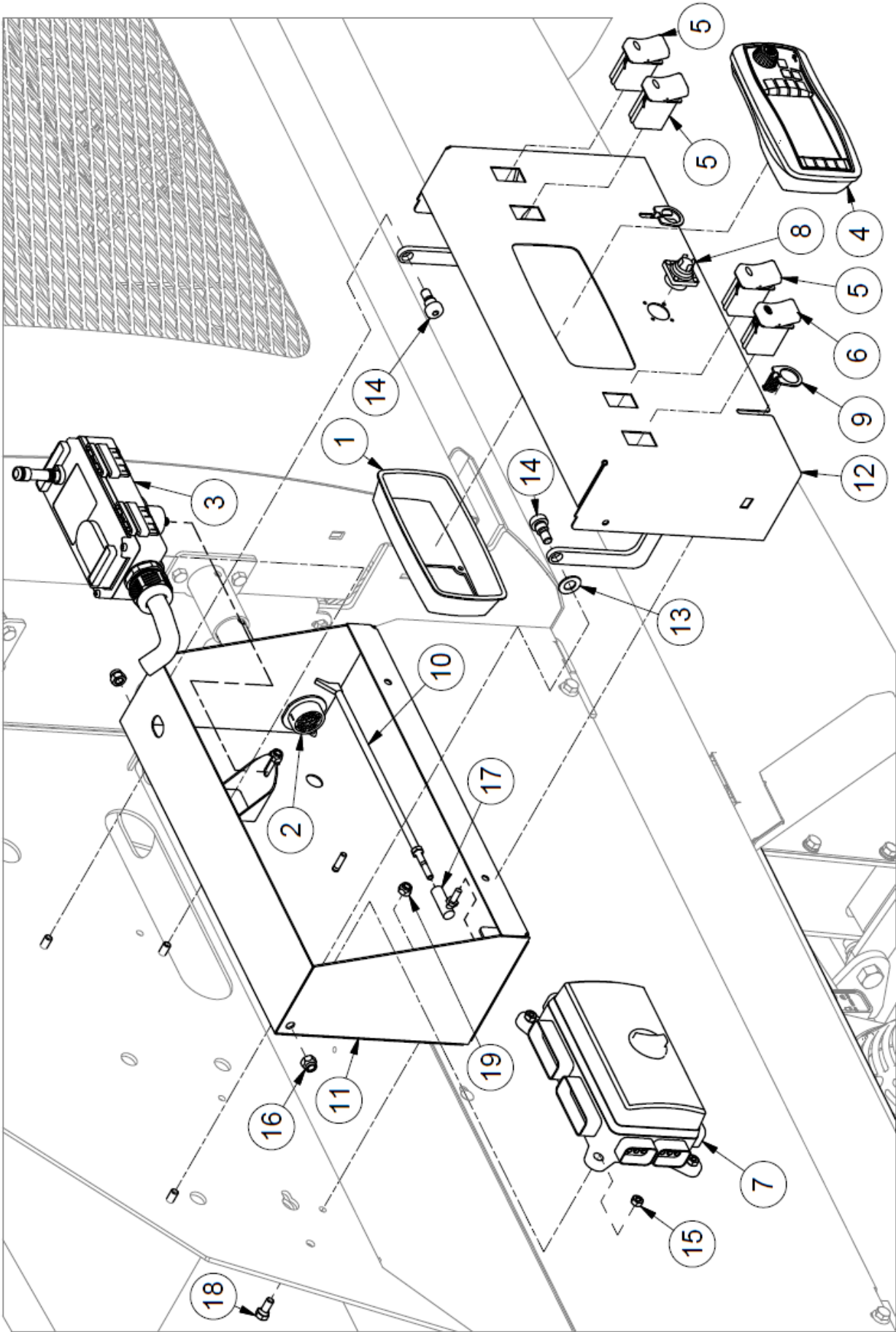
# Hydraulic Manifold Valves



## Hydraulic Manifold Valves

| ITEM | QTY | PORT     | PART NUMBER | DESCRIPTION                       | FUNCTION        | FPS NUMBER |
|------|-----|----------|-------------|-----------------------------------|-----------------|------------|
| 1    | 1   | CB1      | 40981       | Counter Balance Valve             | Bed             | 3125011    |
| 2    | 1   | CB2      | 43664       | Counter Balance Valve             | Ram FWD         | 3125031.05 |
| 3    | 1   | CV1      | 43667       | Check Valve                       | Ram REV         | 2115001.25 |
| 4    | 1   | CV1      | 43668       | Pilot Piston                      | Ram REV Pilot   | 2190044    |
| 5    | 1   | EC1      | 43626       | Cartridge Logic Valve             |                 | 2115287.15 |
| 6    | 1   | EV1      | 43625       | Cartridge Logic Valve             |                 | 2115048.16 |
| 7    | 1   | LS1      | 43627       | Shuttle Valve                     |                 | 2115042    |
| 8    | 1   | PER      | 43665       | Directional Valve                 | Ram FWD/REV     | 2115168.K  |
| 9    | 1   | RV1      | 43663       | Relief Valve                      | Main Relief     | 2125000.3  |
| 10   | 1   | SV1      | 43669       | Solenoid Valve                    | Steering        | 2110073.C  |
| 11   | 4   | SV1, SV2 | 43629       | 12V DC Solenoid Valve Coil        |                 | 2135075    |
| 12   | 1   | SV2      | 32664       | Solenoid Valve                    | Bed             | 2110015.E  |
| 13   | 1   | SV3      | 43660       | 12V DC Solenoid Valve Coil        | Hoop            | 2135144    |
| 14   | 1   | SV3      | 43661       | Pilot Flow Control Solenoid Valve | Hoop            | 2120130.A  |
| 15   | 1   | SV4A     | 43662       | Flow Control Valve                | Hoop Anti-Creep | 2120195    |
| 16   | 2   | SV5,SV6  | 43628       | 12V DC Solenoid Valve Coil        |                 | 2135048    |
| 17   | 2   | SV5,SV6  | 43666       | Pilot Reducing Solenoid Valve     | Ram FWD/REV     | 2125107    |
| 18   | 1   | SV7      | 43670       | 12V DC Solenoid Valve Coil        | System Pressure | 2135049    |
| 19   | 1   | SV7      | 38784       | Pilot Relief Solenoid Valve       | System Pressure | 2125025.B  |

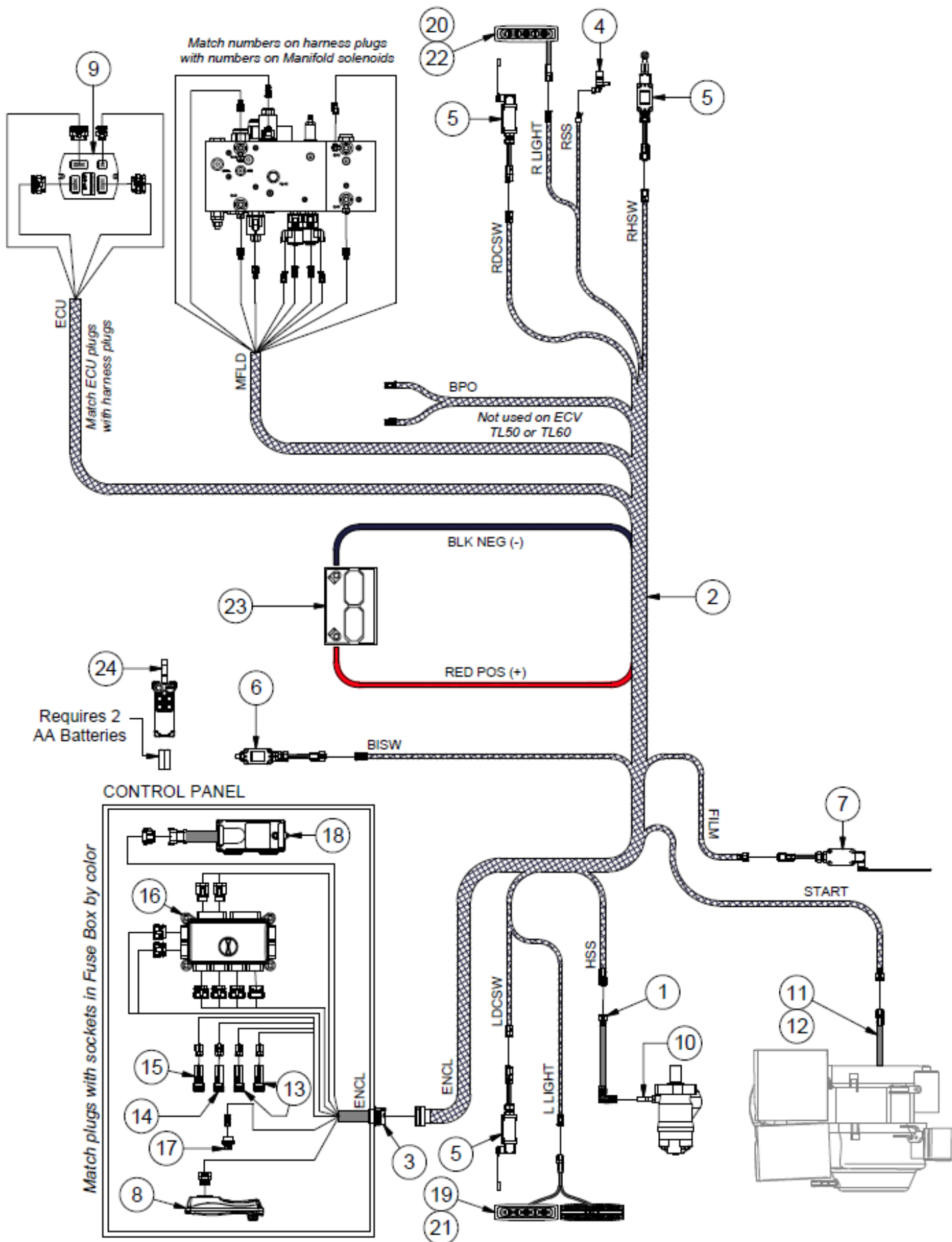
# Section 4: Electrical Control Panel



## Control Panel

| ITEM | QTY | PART NUMBER        | DESCRIPTION  |
|------|-----|--------------------|--|
| 1    | 1   | 32630              | Display Mount  |
| 2    | 1   | 32642              | Control Panel Harness                                  |
| 3    | 1   | 32648              | Remote Antenna   |
| 4    | 1   | 32652              | Display Screen   |
| 5    | 3   | 33322              | Function Switch  |
| 6    | 1   | 33323              | E-Stop Switch  |
| 7    | 1   | 33324              | Fuse Box   |
| 8    | 1   | 33325              | Steering Joystick                                      |
| 9    | 2   | 36268              | Camlock  |
| 10   | 1   | 43415              | Lid Holder   |
| 11   | 1   | 43417              | Control Panel Box                                      |
| 12   | 1   | 43489              | Control Panel Lid                                      |
| 13   | 1   | FW 1/2             | Flatwasher - 1/2" Zinc Plated USS                      |
| 14   | 2   | HB 1/2X3/8 SS      | Socket Head Shoulder Screws - 1/2 Shldr x 3/8 x 3/8-16 |
| 15   | 4   | HN 1/4             | Hex Nut 1/4"-20 Grade 5 Zinc Plated Finished           |
| 16   | 2   | LN 3/8 N           | LN 3/8-16 Zinc Plated Nylon Insert Lock Nut            |
| 17   | 1   | TL550-100-065      | Ball Joint   |
| 18   | 4   | HB 5/16-18X0.75 Z5 | Hex Bolt 5/16-18x3/4 Grade 5 Zinc Plated Hex Cap Screw |
| 19   | 4   | LN 5/16 N          | LN 5/16-18 Zinc Plated Nylon Insert Lock Nut           |

# Main Electrical Harness

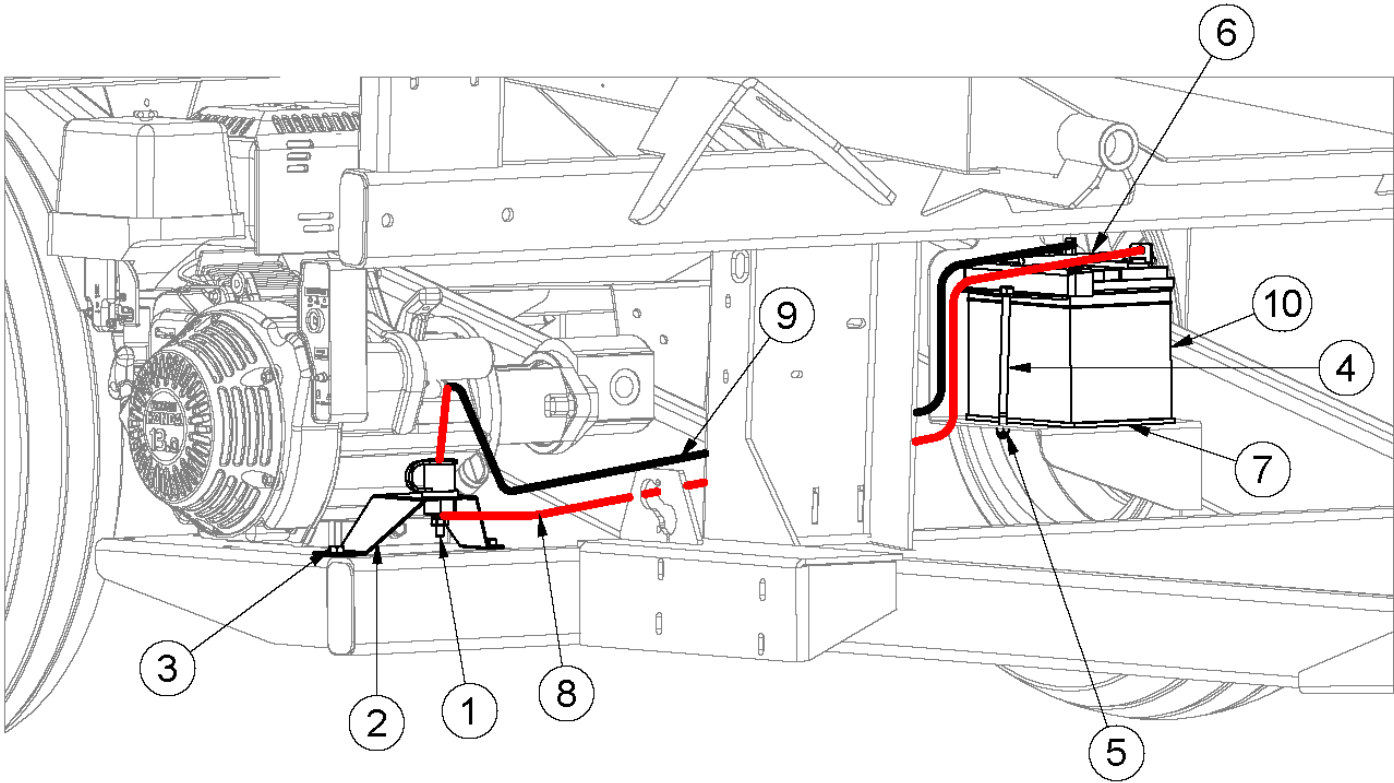


## Main Electrical Harness

| ITEM | QTY | PART NUMBER | DESCRIPTION  |
|------|-----|-------------|--|
| 1    | 1   | 32607       | ECV Wrapper and Liner, M12 to Duetch Jumper              |
| 2    | 1   | 32625       | ECV Wrapper, Main Wiring Harness                         |
| 3    | 1   | 32626       | ECV Wrapper, Panel Harness                               |
| 4    | 1   | 32632       | ECV Wrapper and Liner, Speed Sensor                      |
| 5    | 3   | 32633       | ECV Wrapper, Left and Right Door Switch, Ram Home Switch |
| 6    | 1   | 32634       | ECV Wrapper, Bale Trigger Switch                         |
| 7    | 1   | 32635       | ECV Wrapper, Film Sensor Switch                          |
| 8    | 1   | 32647       | ECV Controller - 2415 Programmed for ECV Wrapper         |
| 9    | 1   | 32652       | ECV, ECU Programmed for Balewrapper (Current Rev)        |
| 10   | 1   | 32665       | ECV Hoop Speed Sensor                                    |
| 11   | 1   | 32666       | Wiring Engine Harness for 13 HP Honda - ECV Wrapper      |
| 12   | 1   | 32667       | Wiring Engine Harness for 20 HP Honda - ECV Wrapper      |
| 13   | 2   | 33322       | Light Function Switch & Remote Engine By-pass            |
| 14   | 1   | 33322-L     | Function Switch with Light ON-OFF                        |
| 15   | 1   | 33323       | Function Switch for E-Stop                               |
| 16   | 1   | 33324       | Fuse Box for ECV Wrapper Control Box                     |
| 17   | 1   | 33325       | Steering Joystick for ECV                                |
| 18   | 1   | 36968       | Remote Control Reciever & Antenna                        |
| 19   | 1   | 43952       | TLNWLKLED-ECV Triple Harness                             |
| 20   | 1   | 43953       | TLNWLKLED-ECV Single Harness                             |
| 21   | 1   | 43619       | TLNWLK-ECV Twin Harness                                  |
| 22   | 3   | 43620       | TLNWLK-ECV Single Harness                                |
| 23   | 1   | TLBATSP35   | SP-35 Interstate Battery                                 |
| 24   | 1   | TLHHCX2HD   | Hand Held Remote (Orange)                                |



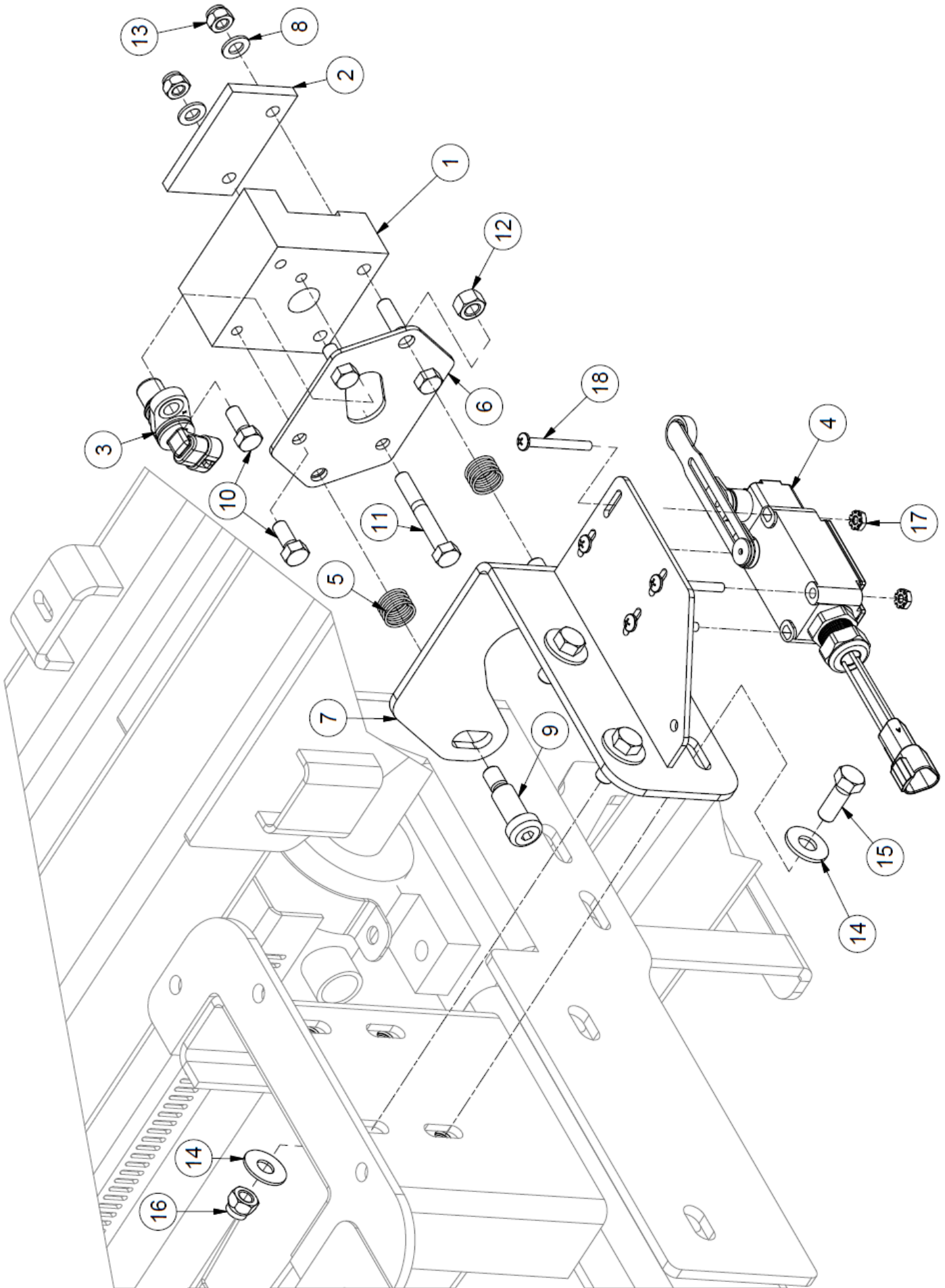
# Battery



## Battery

| ITEM | QTY | PART NUMBER       | DESCRIPTION   |
|------|-----|-------------------|---|
| 1    | 1   | 30873             | Battery Post  |
| 2    | 1   | 44899             | Insulated Jumper Mount                                      |
| 3    | 16  | HB 3/8-16X1.0 Z5  | Hex Bolt 3/8-16 x 1" Grade 5 Zinc Plated Hex Cap Screw N.C. |
| 4    | 2   | HB 5/16-18X6.0 Z5 | Hex Bolt - 5/16-18 x 6 Grade 5 Zinc Hex Cap Screw           |
| 5    | 2   | LN 5/16 N         | Locknut - 5/16-18 Type NE Zinc Plated Nylon Insert          |
| 6    | 1   | TL500-301-221     | Battery Hold-Down   |
| 7    | 1   | TL5X2-007-101     | Battery Rubber, 3/16 x 5 x 8 Mud Flap                       |
| 8    | 1   | TL5X2-500-159     | Red Battery Cable   |
| 9    | 1   | TL5X2-500-160     | Black Battery Cable   |
| 10   | 1   | TLBATSP35         | SP-35 Interstate Battery                                    |

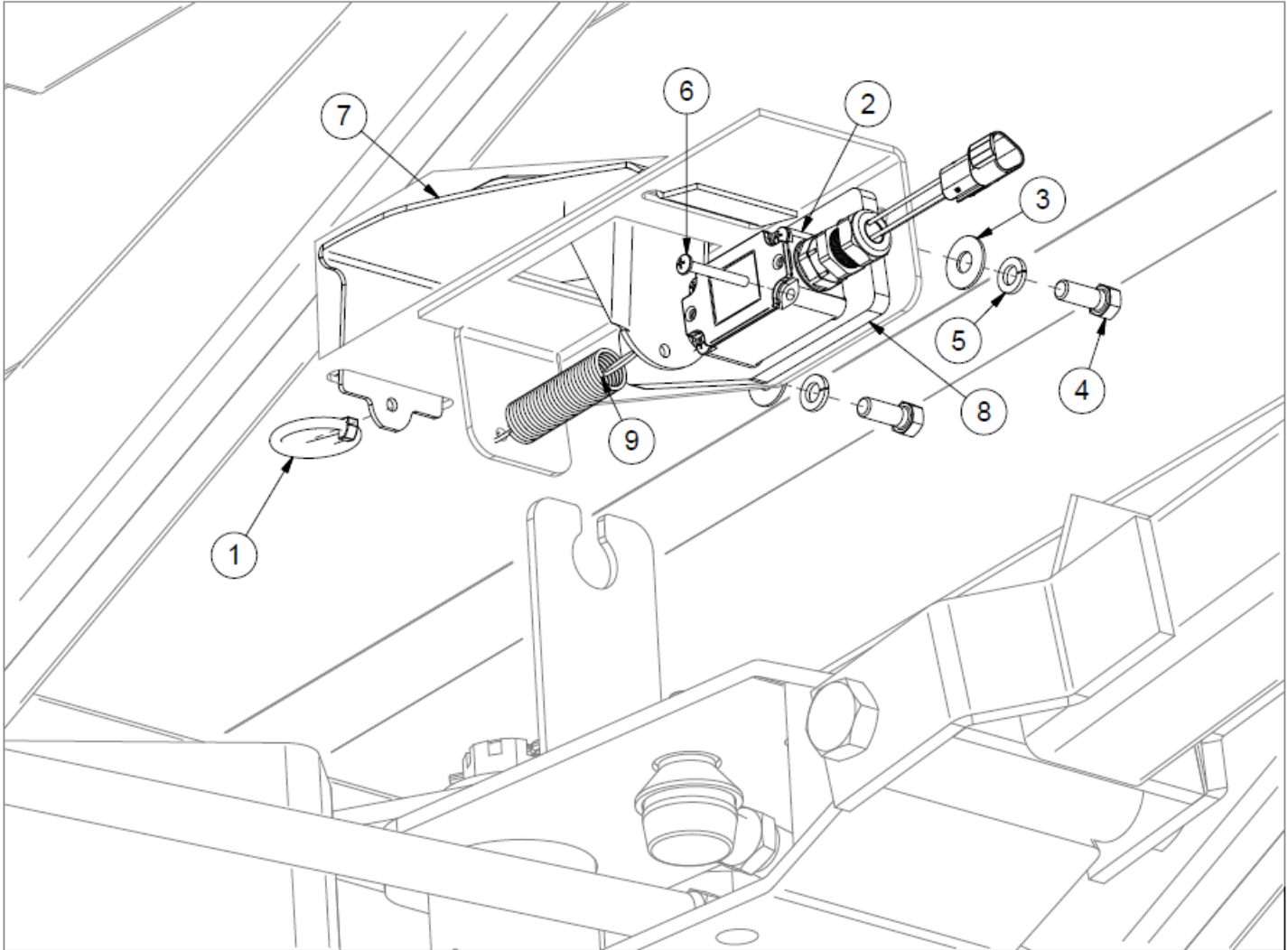
# Speed Sensor



## Speed Sensor

| ITEM | QTY | PART NUMBER        | DESCRIPTION  |
|------|-----|--------------------|--|
| 1    | 1   | 31712              | Sensor Guide Block                                       |
| 2    | 1   | 31713              | Sensor Guide Strip                                       |
| 3    | 1   | 32632              | Speed Sensor   |
| 4    | 1   | 32633              | ECV Ram Switch   |
| 5    | 2   | 36034              | Spring for Ram Speed Sensor                              |
| 6    | 1   | 44336              | Speed Sensor Spacer                                      |
| 7    | 1   | 44337              | ECV Ram Position Sensor Mount                            |
| 8    | 2   | FW 5/16            | Flatwasher - 5/16" Zinc Plated USS                       |
| 9    | 2   | HB 1/2X1 SS        | Socket Head Shoulder Screws - 1/2 Shldr x 1 x 3/8-16     |
| 10   | 3   | HB 5/16-18X0.75 Z5 | Hex Bolt 5/16-18x3/4 Grade 5 Zinc Plated Hex Cap Screw   |
| 11   | 2   | HB 5/16-18X2.25 Z5 | Hex Bolt 5/16-18x2 1/4 Grade 5 Zinc Plated Hex Cap Screw |
| 12   | 2   | HN 3/8             | Hex Nut 3/8"-16 Grade 5 Zinc Plated Finished             |
| 13   | 2   | LN 5/16 N          | LN 5/16-18 Zinc Plated Nylon Insert Lock Nut             |
| 14   | 8   | FW 3/8             | Flatwasher - 3/8" Zinc Plated USS                        |
| 15   | 4   | HB 3/8-16X1 Z5     | Hex Bolt 3/8-16x1 Grade 5 Zinc Plated Hex Cap Screw      |
| 16   | 4   | LN 3/8 N           | LN 3/8-16 Zinc Plated Nylon Insert Lock Nut              |
| 17   | 4   | LN 10-24           | K-Lok Locknut  |
| 18   | 4   | MS #10X24X1.75     | Machine Screw - (Inch)                                   |

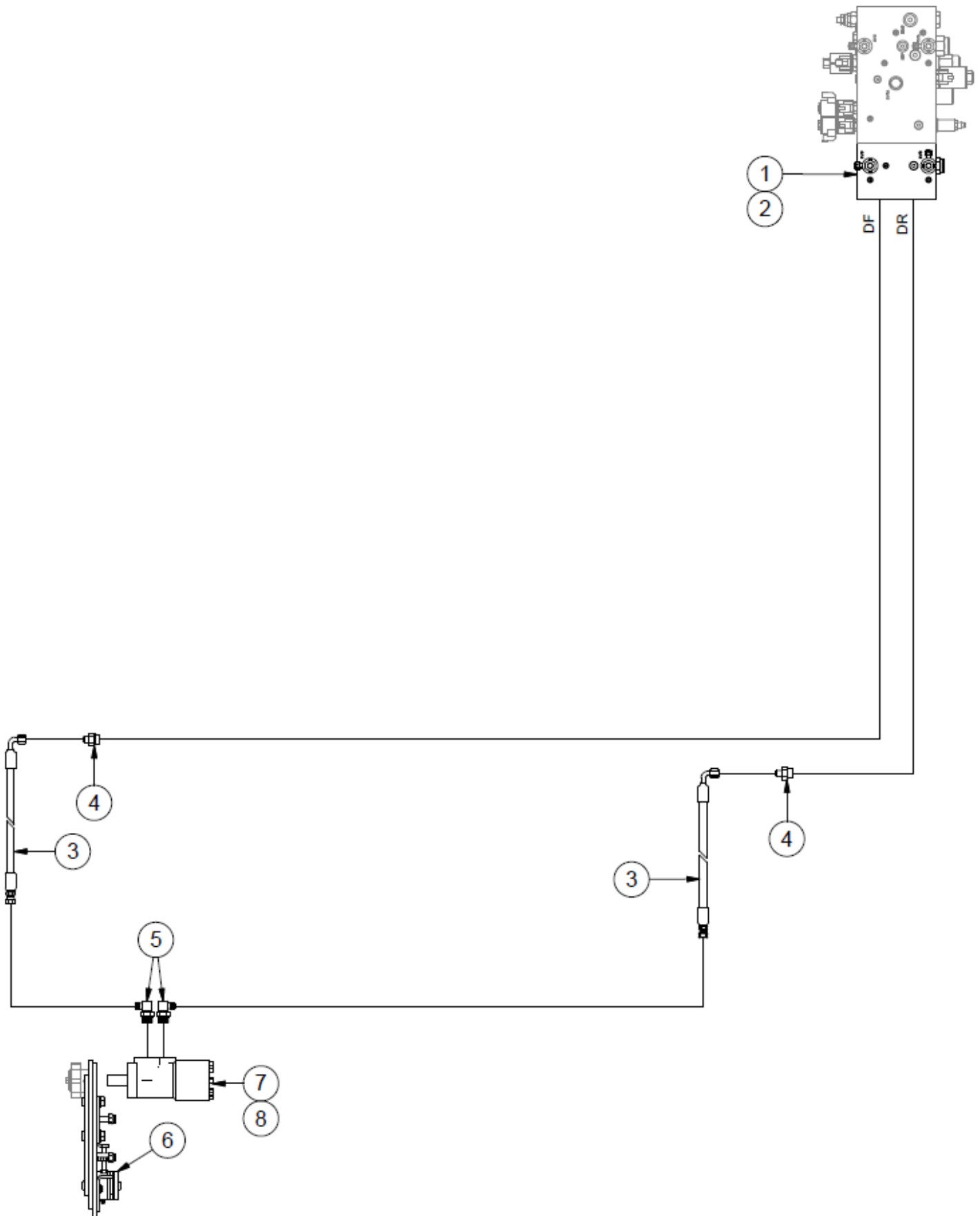
## Table Trigger



| ITEM | QTY | PART NUMBER    | DESCRIPTION   |
|------|-----|----------------|---|
| 1    | 1   | 25680          | Lynch Pin 3/16 x 1.5                                |
| 2    | 1   | 32634          | ECV Wrapper, Bale Trigger Switch                    |
| 3    | 2   | FW 3/8         | Flatwasher - 3/8" Zinc Plated USS                   |
| 4    | 2   | HB 3/8-16X1 Z5 | Hex Bolt 3/8-16x1 Grade 5 Zinc Plated Hex Cap Screw |
| 5    | 2   | LW 3/8         | LW - 3/8" Zinc Plated Medium Split                  |
| 6    | 4   | MS #10X24X1.5  | Machine Screw - (Inch)                              |
| 7    | 1   | 44900          | Trigger Weldment                                    |
| 8    | 1   | TL5X2-500-153  | Table Switch Mount Plate                            |
| 9    | 1   | TL550-100-069  | Throttle Spring                                     |

# Section 5: Options

# TLHPD5000ECV - Single Power Drive

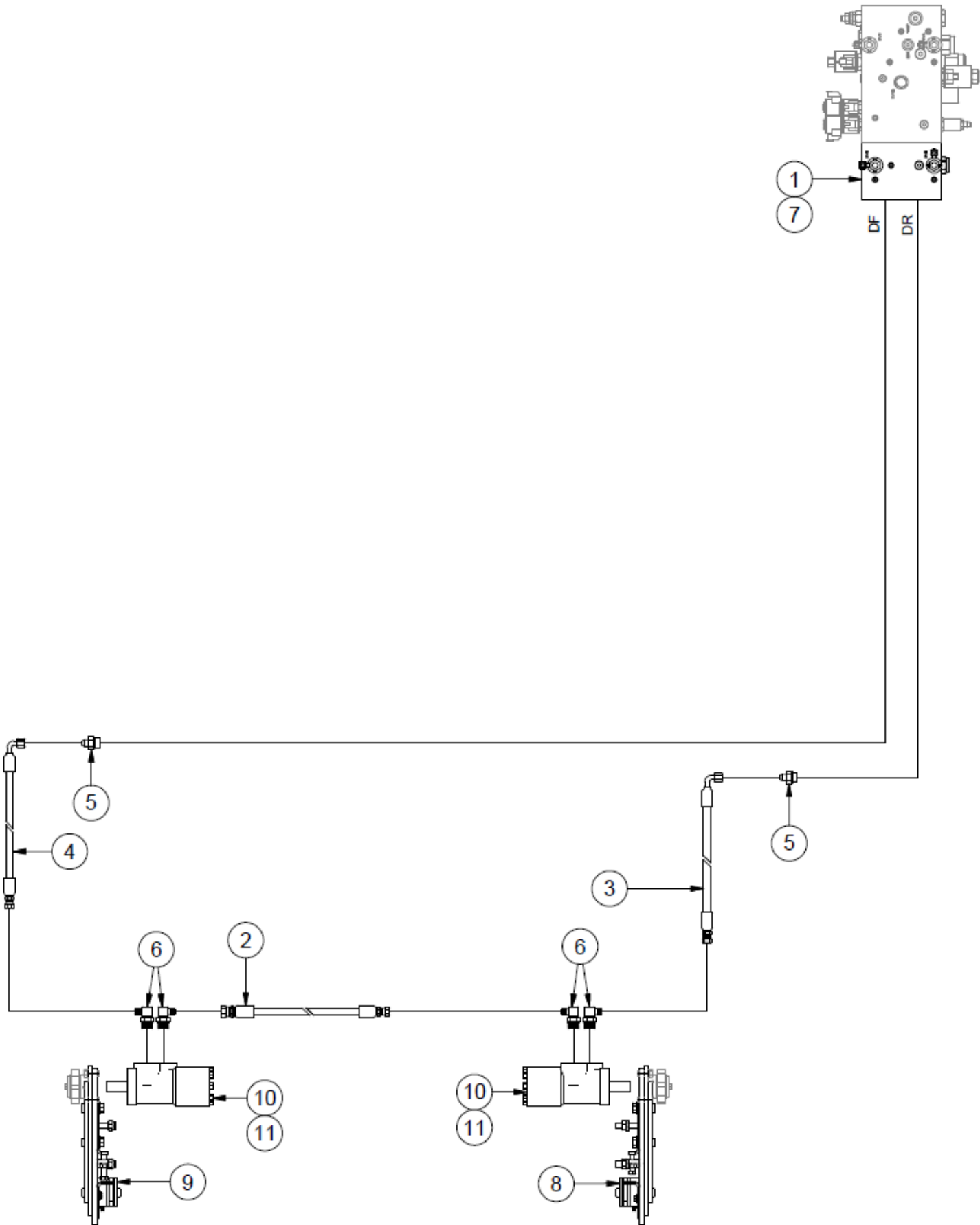


## TLHPD5000ECV - Single Power Drive

| ITEM | QTY | PART NUMBER   | DESCRIPTION                                       | NOTE             |
|------|-----|---------------|---|------------------|
| 1    | 1   | 30299         | ECV Bale Wrapper Powerdrive Block                 |                  |
| 2    | 1   | SK1032AASK    | ECV Powerdrive Manifold Seal Kit                  |                  |
| 3    | 2   | 31785         | HH156 - 6AT1-(6FJXH-6FJX90S)-HCL-156 Hose Assy.   |                  |
| 4    | 2   | HF 6400-6-10  | Hyd Fitting -Male JIC - Male ORB                  |                  |
| 5    | 2   | HF 6801-6-10  | Hyd. Fitting -Male JIC - Male ORB 90 Degree Elbow |                  |
| 6    | 1   | TL109-100-360 | Power Drive Assembly                              | Refer to Pg.1-32 |
| 7    | 1   | VAL 1008      | Motor, Hydraulic - EAT101-1008-009                |                  |
| 8    | 1   | SKMLHPQUDE    | Seal Kit 400 Motor                                |                  |



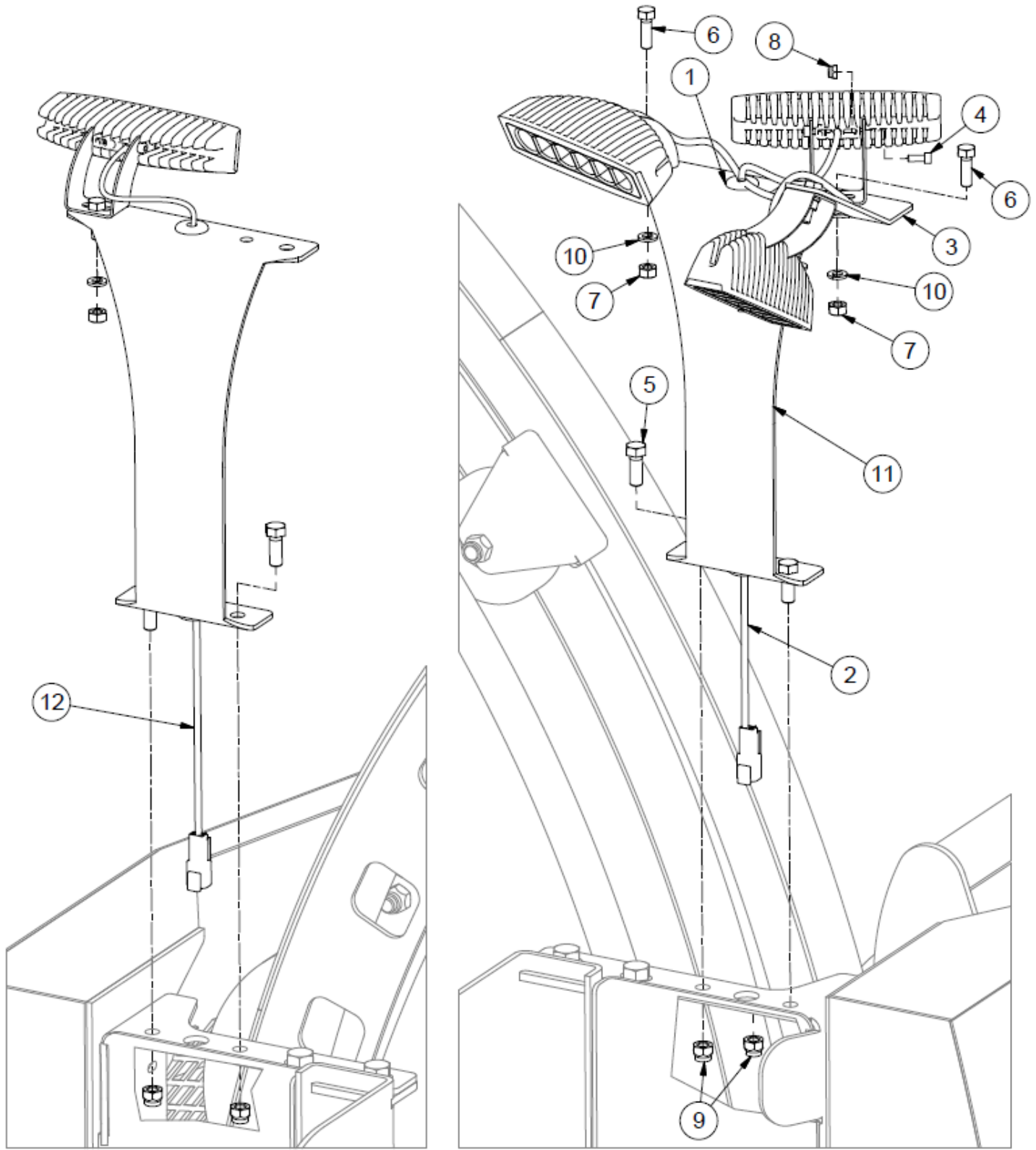
# TLHPDD5000ECV - Dual Power Drive



## TLHPDD5000ECV - Dual Power Drive

| ITEM | QTY | PART NUMBER   | DESCRIPTION                                       | NOTE             |
|------|-----|---------------|---|------------------|
| 1    | 1   | 30299         | ECV Bale Wrapper Powerdrive Block                 |                  |
| 2    | 1   | 31784         | HH93 - 6ATI(6FJX,6FJX) 93" E/E                    |                  |
| 3    | 1   | 31785         | HH156 - 6AT1-(6FJXH-6FJX90S)-HCL-156 Hose Assy.   |                  |
| 4    | 1   | 31786         | HH203 - 6AT1-(6FJXH-6FJX90S)-HCL-203 Hose Assy.   |                  |
| 5    | 2   | HF 6400-6-10  | Hyd Fitting -Male JIC - Male ORB                  |                  |
| 6    | 4   | HF 6801-6-10  | Hyd. Fitting -Male JIC - Male ORB 90 Degree Elbow |                  |
| 7    | 1   | SK1032AASK    | ECV Powerdrive Manifold Seal Kit                  |                  |
| 8    | 1   | TL109-100-355 | Power Drive Assembly                              | Refer to Pg.5-6  |
| 9    | 1   | TL109-100-360 | Power Drive Assembly                              | Refer to Pg.2-36 |
| 10   | 2   | VAL 1008      | Motor, Hydraulic - EAT101-1008-009                |                  |
| 11   | 2   | SKMLHPQUDE    | Seal Kit 400 Motor                                |                  |

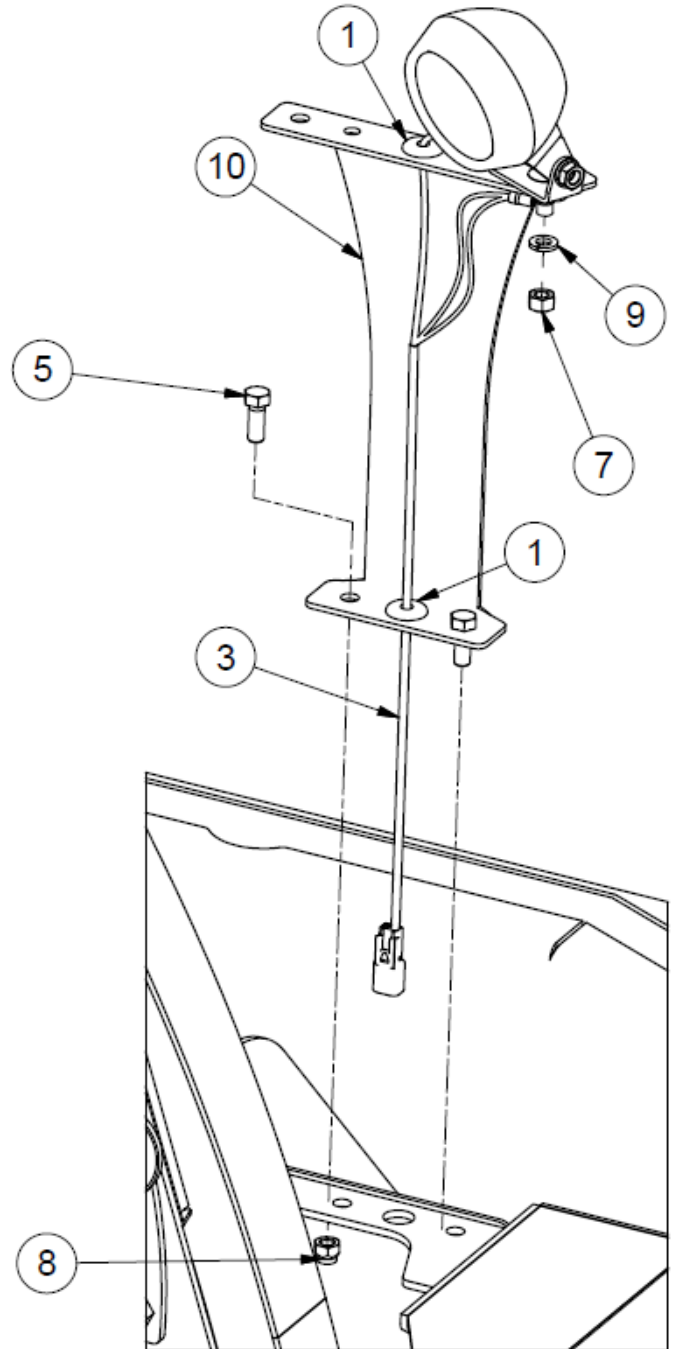
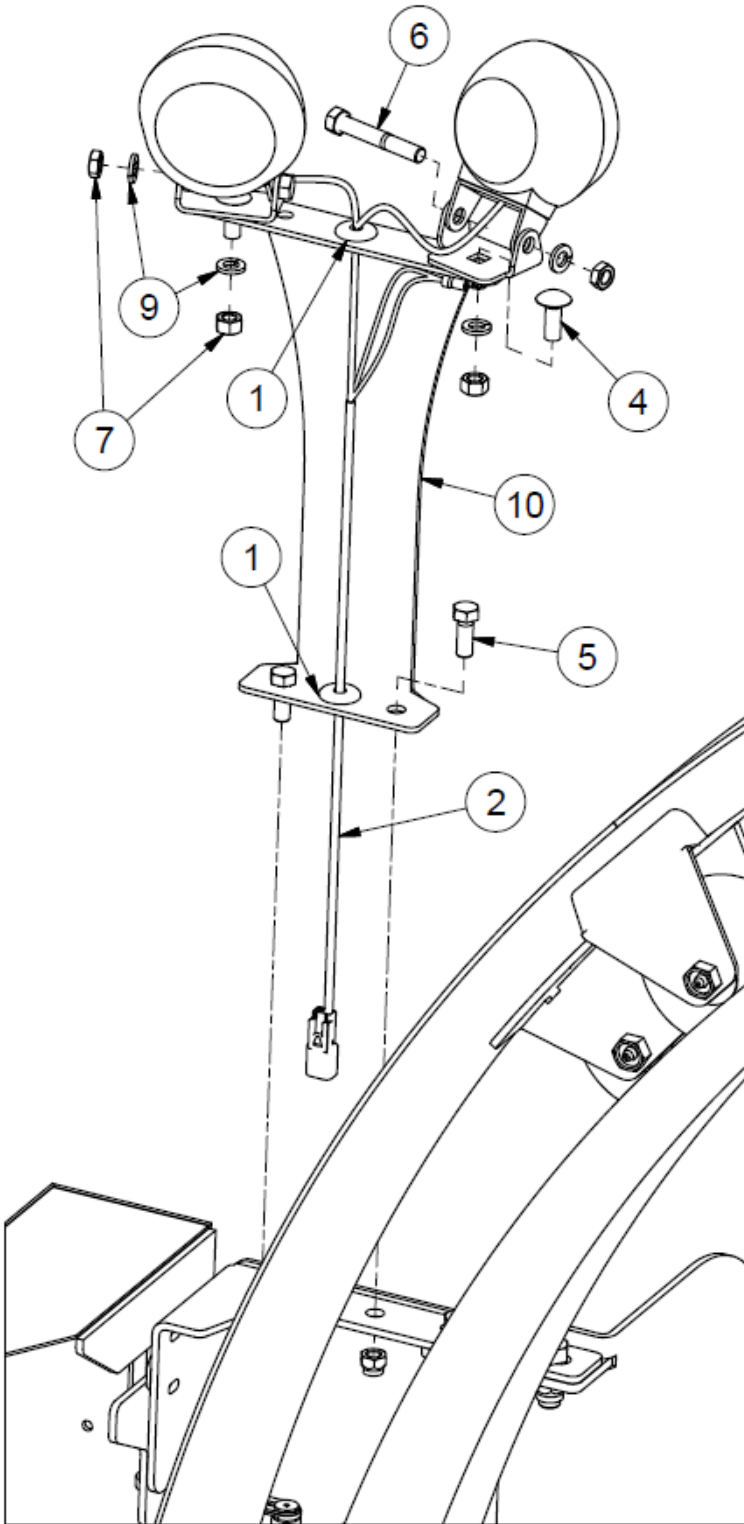
# TLNWLKLED-ECV - LED Night Light Kit



## TLNWLKLED-ECV - LED Night Light Kit

| ITEM | QTY | PART NUMBER       | DESCRIPTION  |
|------|-----|-------------------|--|
| 1    | 4   | 30862             | Grommet for Night Lights                             |
| 2    | 1   | 43952             | TLNWLKLED-ECV Triple Wiring Harness                  |
| 3    | 1   | 44864             | Control Panel Light Bracket                          |
| 4    | 8   | HB #10-32X.5 SHCS | Hex Bolt - 3/16-32 x 1/2 Socket Head Cap Screw       |
| 5    | 4   | HB 3/8-16X1 Z5    | Hex Bolt 3/8-16x1 Grade 5 Zinc Plated Hex Cap Screw  |
| 6    | 4   | HB 5/16-18X1 Z5   | Hex Bolt 5/16-18x1 Grade 5 Zinc Plated Hex Cap Screw |
| 7    | 4   | HN 5/16           | Hex Nut 5/16"-18 Grade 5 Zinc Plated Finished        |
| 8    | 8   | LN #10 F          | Center Locknuts (3/16-32) 2-Way Fine Thread          |
| 9    | 4   | LN 3/8 N          | LN 3/8-16 Zinc Plated Nylon Insert Lock Nut          |
| 10   | 4   | LW 5/16           | LW - 5/16" Zinc Plated Medium Split                  |
| 11   | 2   | TL5X2-100-201     | Light Bracket  |
| 12   | 1   | 43953             | TLNWLKLED-ECV Single Harness                         |

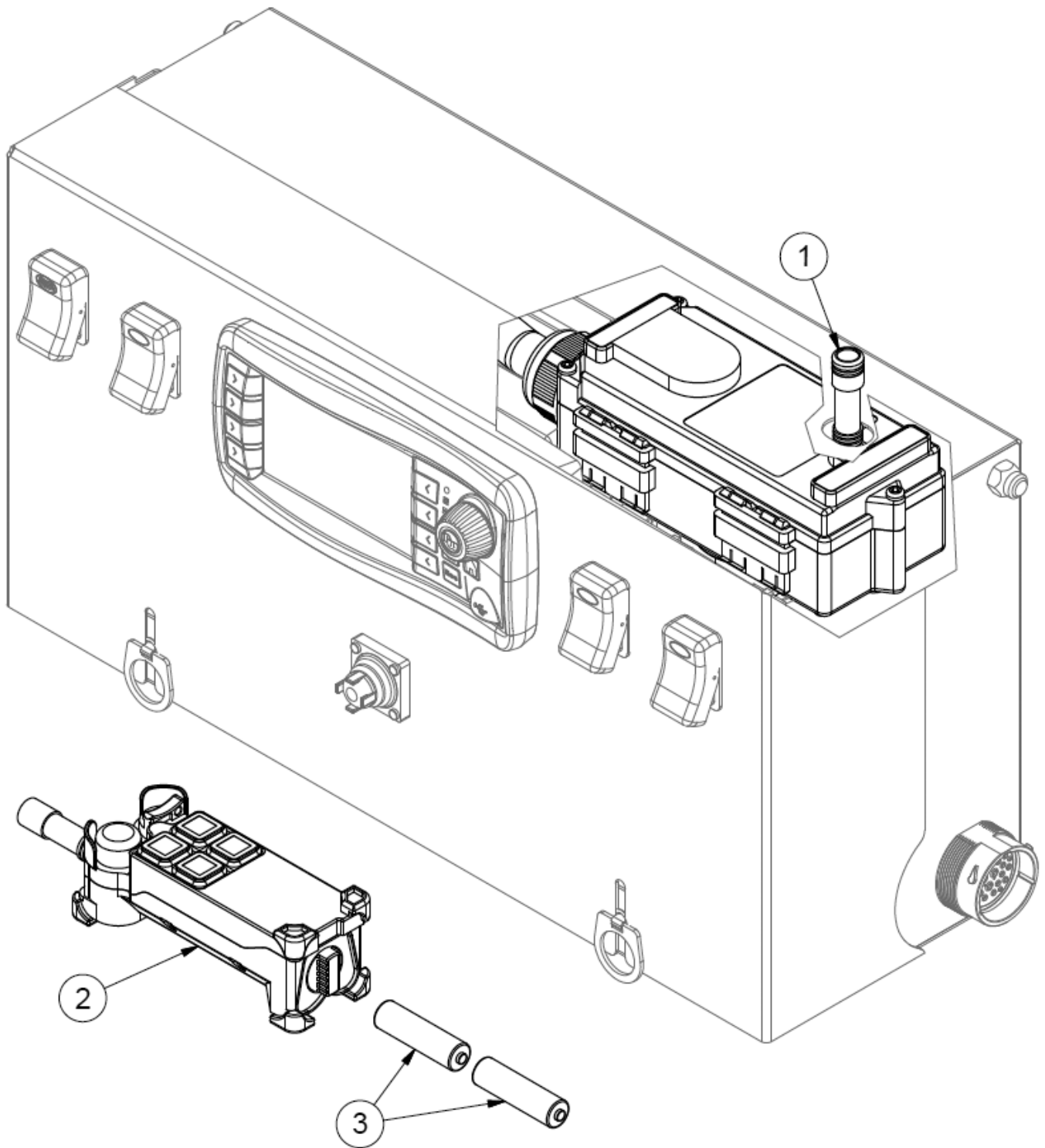
# TLNWLK-ECV - Halogen Night Light Kit



## TLNWLK-ECV - Halogen Night Light Kit

| ITEM | QTY | PART NUMBER      | DESCRIPTION   | NOTE        |
|------|-----|------------------|---|-------------|
| 1    | 4   | 30862            | Grommet for Night Lights                                |             |
| 2    | 1   | 43619            | TLNWLK-ECV Twin Harness                                 | Inc. Lights |
| 3    | 1   | 43620            | TLNWLK-ECV Single Harness                               | Inc. Light  |
| 4    | 3   | CB 3/8-16 X1 Z5  | Carriage Bolt - 3/8-16 x 1" Grade 5 Zinc                |             |
| 5    | 4   | HB 3/8-16X1 Z5   | Hex Bolt 3/8-16x1 Grade 5 Zinc Plated Hex Cap Screw     |             |
| 6    | 3   | HB 3/8-24X2.5 Z5 | Hex Bolt 3/8-24x2 1/2 Grade 5 Zinc Plated Hex Cap Screw |             |
| 7    | 3   | HN 3/8           | Hex Nut 3/8"-16 Grade 5 Zinc Plated Finished            |             |
| 8    | 4   | LN 3/8 N         | LN 3/8-16 Zinc Plated Nylon Insert Lock Nut             |             |
| 9    | 6   | LW 3/8           | LW - 3/8" Zinc Plated Medium Split                      |             |
| 10   | 2   | TL5X2-100-201    | Light Bracket   |             |

# TLRSSKX2HDECV - Remote Control Kit

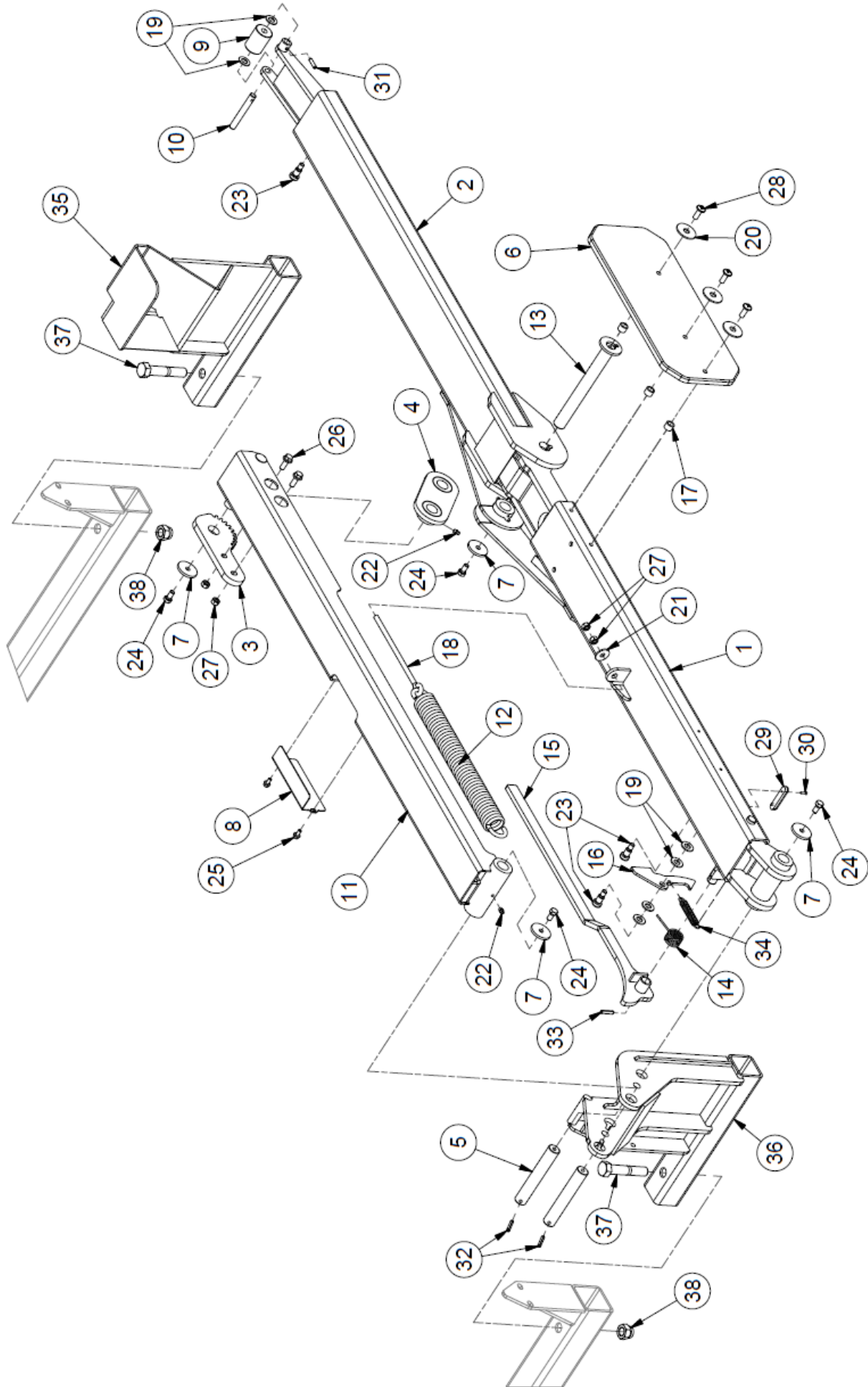


## TLRSKKX2HDECV - Remote Control Kit

| ITEM | QTY | PART NUMBER | DESCRIPTION   | NOTE         |
|------|-----|-------------|---|--------------|
| 1    | 1   | 32648       | Remote Receiver (ECV Wrapper) in Enclosure w/ DT Plug |              |
| 2    | 1   | TLHHCX2HD   | Hand Held Remote (Orange)                             |              |
| 3    | 2   | AA Battery  |   | Not Included |



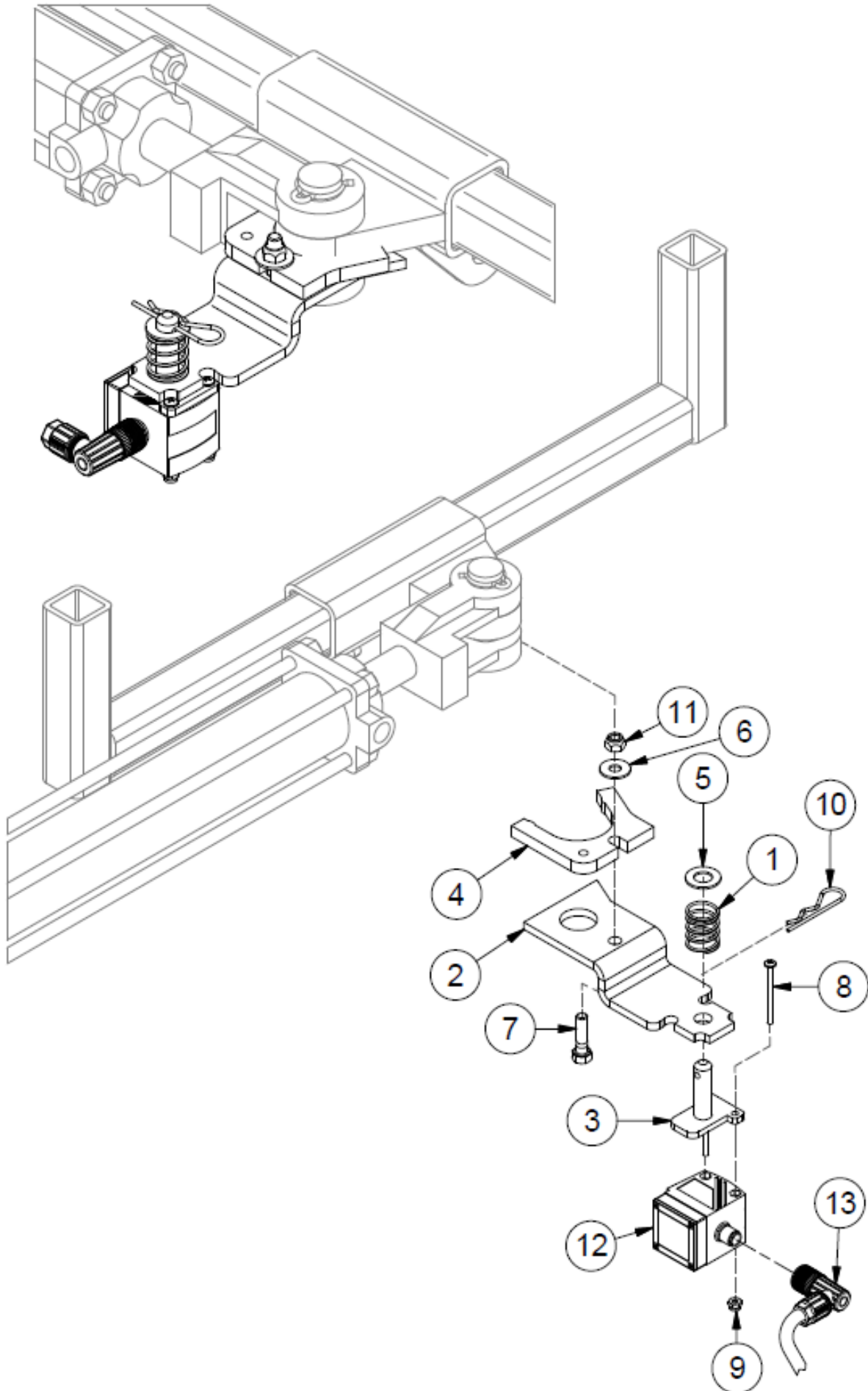
# TLMPO-5000 - Bale Dispatch Arm



## TLMPO-5000 - Bale Dispatch Arm

| ITEM | QTY | PART NUMBER       | DESCRIPTION  |
|------|-----|-------------------|--|
| 1    | 1   | 31186             | Folding Pushoff Left Arm                               |
| 2    | 1   | 31188             | Folding Pushoff  |
| 3    | 1   | 31192             | Top Pushoff Arm Sprocket                               |
| 4    | 1   | 31300             | Folding Pushoff Arm Link                               |
| 5    | 2   | 31301             | Pushoff Pin  |
| 6    | 1   | 31302             | Rubber Pushoff Pad                                     |
| 7    | 4   | 31303             | Pin Endcap   |
| 8    | 1   | 31367             | Spring Tension Access Cover                            |
| 9    | 1   | 31369             | Last Pushoff Roller                                    |
| 10   | 1   | 31385             | Pushoff Roller Pivot Pin                               |
| 11   | 1   | 31388             | Folding Pushoff Guide Arm                              |
| 12   | 1   | 31395             | Tension Spring   |
| 13   | 1   | 31535             | Pushoff Center Pivot Pin                               |
| 14   | 1   | 33230             | Torsion Spring   |
| 15   | 1   | 33231             | Folding Pushoff Handle                                 |
| 16   | 1   | 36690             | HRP 0.188 in   |
| 17   | 3   | 36942             | 3/8" #40 Pipe  |
| 18   | 1   | EB3/8-16X6.0      | Eye Bolt - 3/8-16 x 6" Shank Zinc Plated Turned        |
| 19   | 9   | FW 1/2            | Flatwasher - 1/2" Zinc Plated USS                      |
| 20   | 3   | FWSAE 1/2         | Flatwasher - 1/2" Zinc Plated USS (1096)               |
| 21   | 1   | FW 3/8            | Flatwasher - 3/8" Zinc Plated USS                      |
| 22   | 7   | GR 1/4 X 28       | Grease Fitting 1/4-28 Straight Standard Zerk           |
| 23   | 3   | HB 1/2X5/8 SS     | Socket Head Shoulder Screws - 1/2 Shldr x 5/8 x 3/8-16 |
| 24   | 4   | HB 3/8-16X0.75 Z5 | Hex Bolt 3/8-16x3/4 Grade 5 Zinc Plated Hex Cap Screw  |
| 25   | 2   | HBC1/4X0.5        | Hex Bolt Cerrated 1/4-20 x 1/2 Zinc Flange Bolt        |
| 26   | 2   | HBC3/8X1          | Hex Bolt Cerrated 3/8-16 x 1 Zinc Flange Bolt          |
| 27   | 4   | HN 3/8            | Hex Nut 3/8"-16 Grade 5 Zinc Plated Finished           |
| 28   | 3   | MS 3/8X16X1       | Machine Screw - (Inch)                                 |
| 29   | 1   | PP-00685          | Rubber Stop  |
| 30   | 2   | PP-00686          | Wood Screw,#6 x5/8" Roberts end                        |
| 31   | 1   | RP 1/4 x 1        | Pin - Roll Pin 1/4 x 1                                 |
| 32   | 2   | RP 1/4 x 1 1/2    | Pin - Roll Pin 1/4 x 1 1/2                             |
| 33   | 1   | RP 1/4 x 1 1/4    | Pin - Roll Pin 1/4 x 1 1/4                             |
| 34   | 1   | TL550-100-069     | Throttle Spring  |
| 35   | 1   | 39696             | Folding Pushoff Right Base                             |
| 36   | 1   | 39697             | Folding Pushoff Left Base                              |
| 37   | 2   | HB 3/4-10X4 Z5    | Hex Bolt 3/4-10x4 Grade 5 Zinc Plated Hex Cap Screw    |
| 38   | 2   | LN 3/4 N          | LN 3/4-10 Zinc Plated Nylon Insert Lock Nut            |

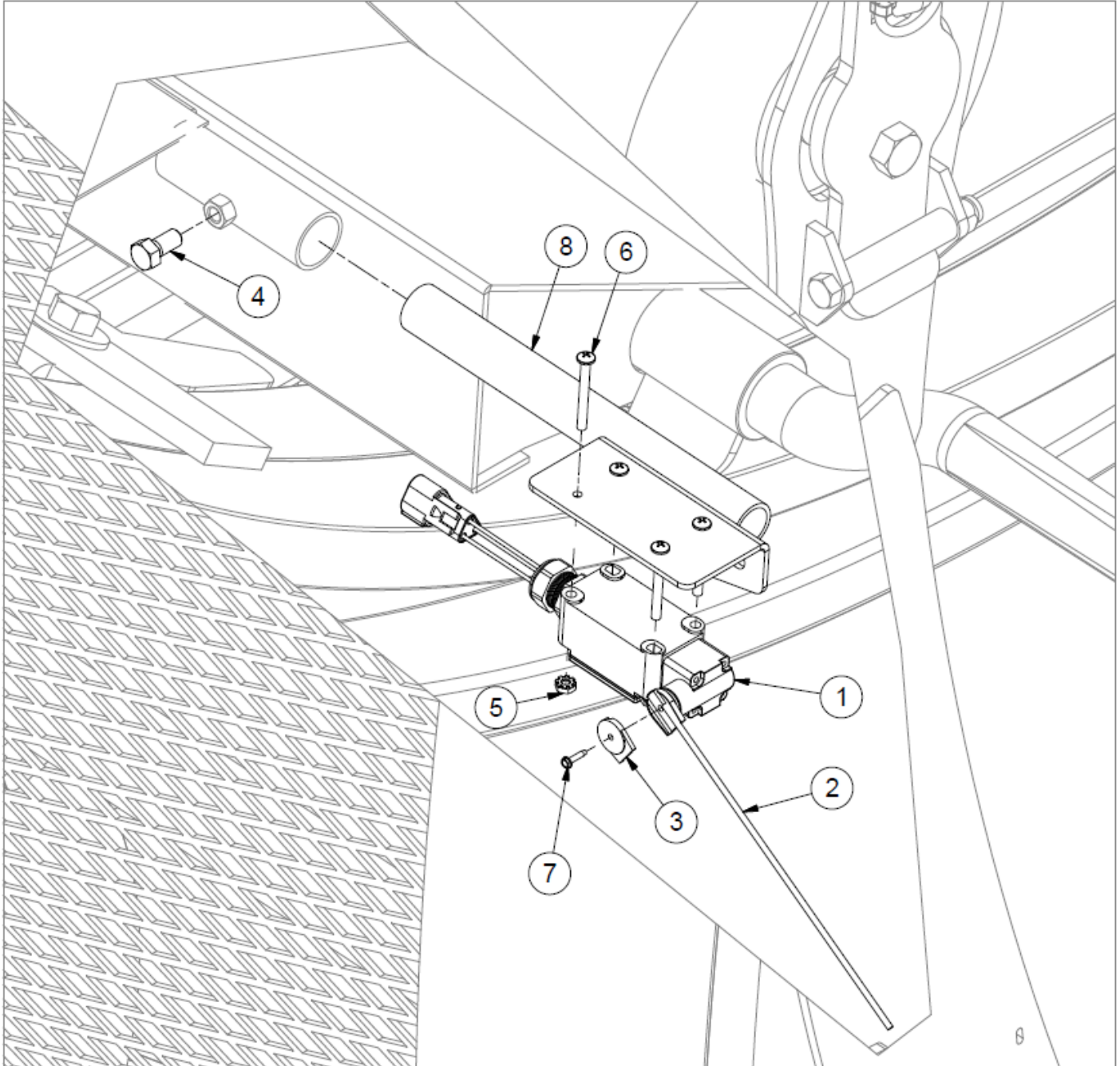
# TLGSECV - Laser Guidance System



## TLGSECV - Laser Guidance System

| ITEM | QTY | PART NUMBER         | DESCRIPTION  |
|------|-----|---------------------|--|
| 1    | 1   | 27566               | Spring Compression .97 OD x 2.0 Long                           |
| 2    | 1   | 39367               | Laser Pin Bracket  |
| 3    | 1   | 39372               | Pivot Bracket  |
| 4    | 1   | 40846               | Stiffener Plate  |
| 5    | 1   | FW 1/2              | Flatwasher - 1/2" Zinc Plated USS (1096)                       |
| 6    | 1   | FW 5/16             | Flatwasher - 5/16" Zinc Plated USS (3840)                      |
| 7    | 1   | HB 5/16-18X1.1/4 Z5 | Hex Bolt - 5/16"-18 x 1 1/4" Grade 5 Zinc Plated Hex Cap Screw |
| 8    | 2   | HB 8-32X32 Z5       | Hex Bolt - #8-32 x 2 Zinc Finish Flat Socket Cap Screw         |
| 9    | 2   | HN 8                | Hex Nut #8-32 Zinc   |
| 10   | 1   | HP .125 X 1.5       | Hair Pin   |
| 11   | 1   | LN 5/16             | Center Locknuts  |
| 12   | 1   | 39387               | Wrapper Guiding System Sensor                                  |
| 13   | 1   | 43810               | Wiring Harness for Laser ECV                                   |

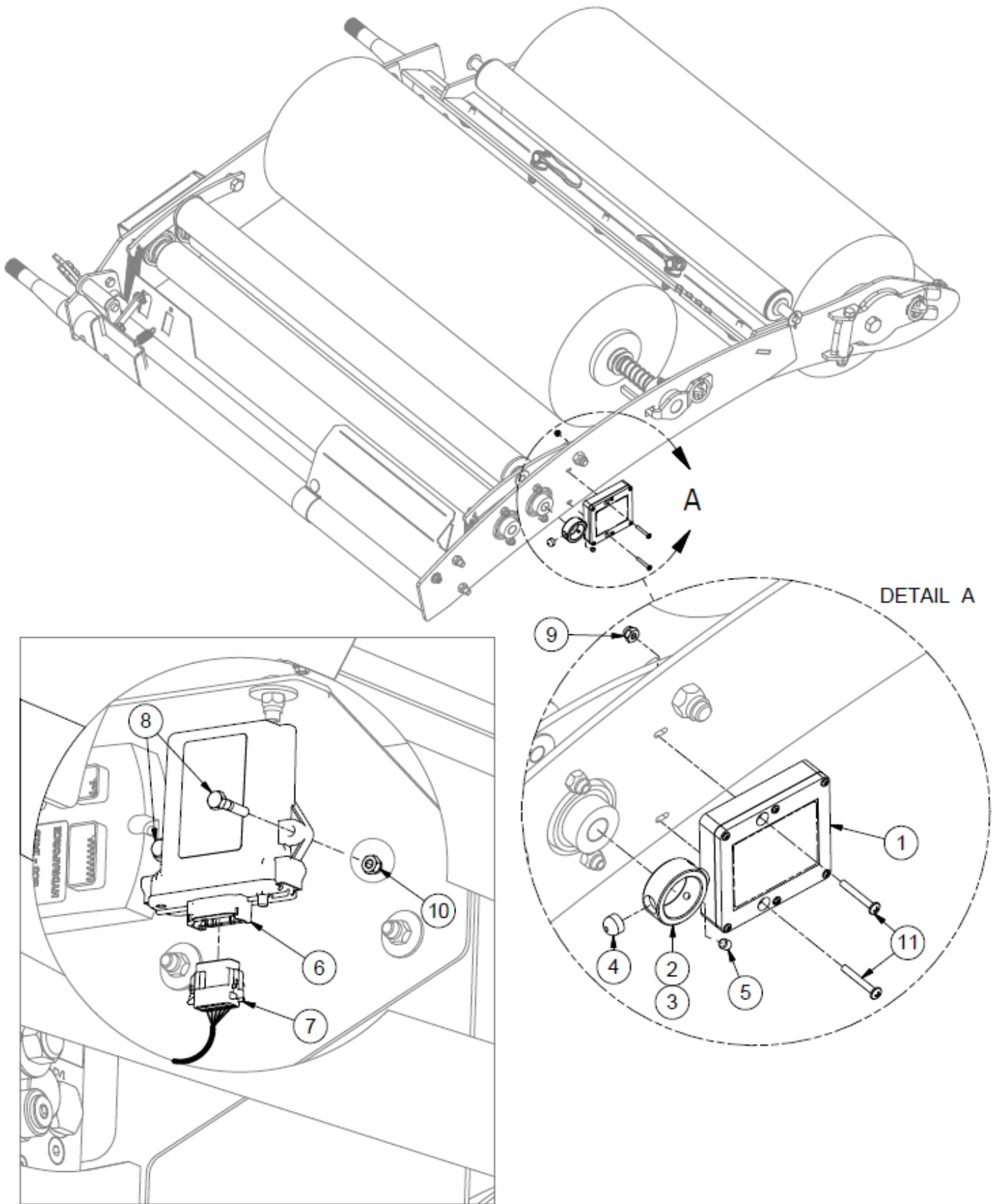
# TLPSSK-ECV - Plastic Sensor Shutdown Kit



## TLPSSK-ECV - Plastic Sensor Shutdown Kit

| ITEM | QTY | PART NUMBER       | DESCRIPTION   | NOTE            |
|------|-----|-------------------|---|-----------------|
| 1    | 1   | 32635             | ECV Wrapper, Film Sensor Switch                                       | Inc Items 2 & 3 |
| 2    | 1   | TL550-100-049     | Wire Arm  |                 |
| 3    | 1   | TL550-100-082     | Wire Clamp  |                 |
| 4    | 1   | HB 3/8-16X0.75 Z5 | Hex Bolt 3/8-16x3/4 Grade 5 Zinc Plated Hex Cap Screw                 |                 |
| 5    | 4   | LN 10-24          | K-Lok Locknut   |                 |
| 6    | 4   | MS #10X24X1.75    | Machine Screw - (Inch)  |                 |
| 7    | 1   | MS 4 X 0.5 SDS    | Machine Screw - 1/8 x 1/2 Hex Washer Head Self Drilling<br>Screw Zinc |                 |
| 8    | 1   | TLFSB2007         | Film Sensor Mtg. Brkt.  |                 |

# TLPSSKWECV - Wireless Plastic Sensor Shutdown Kit

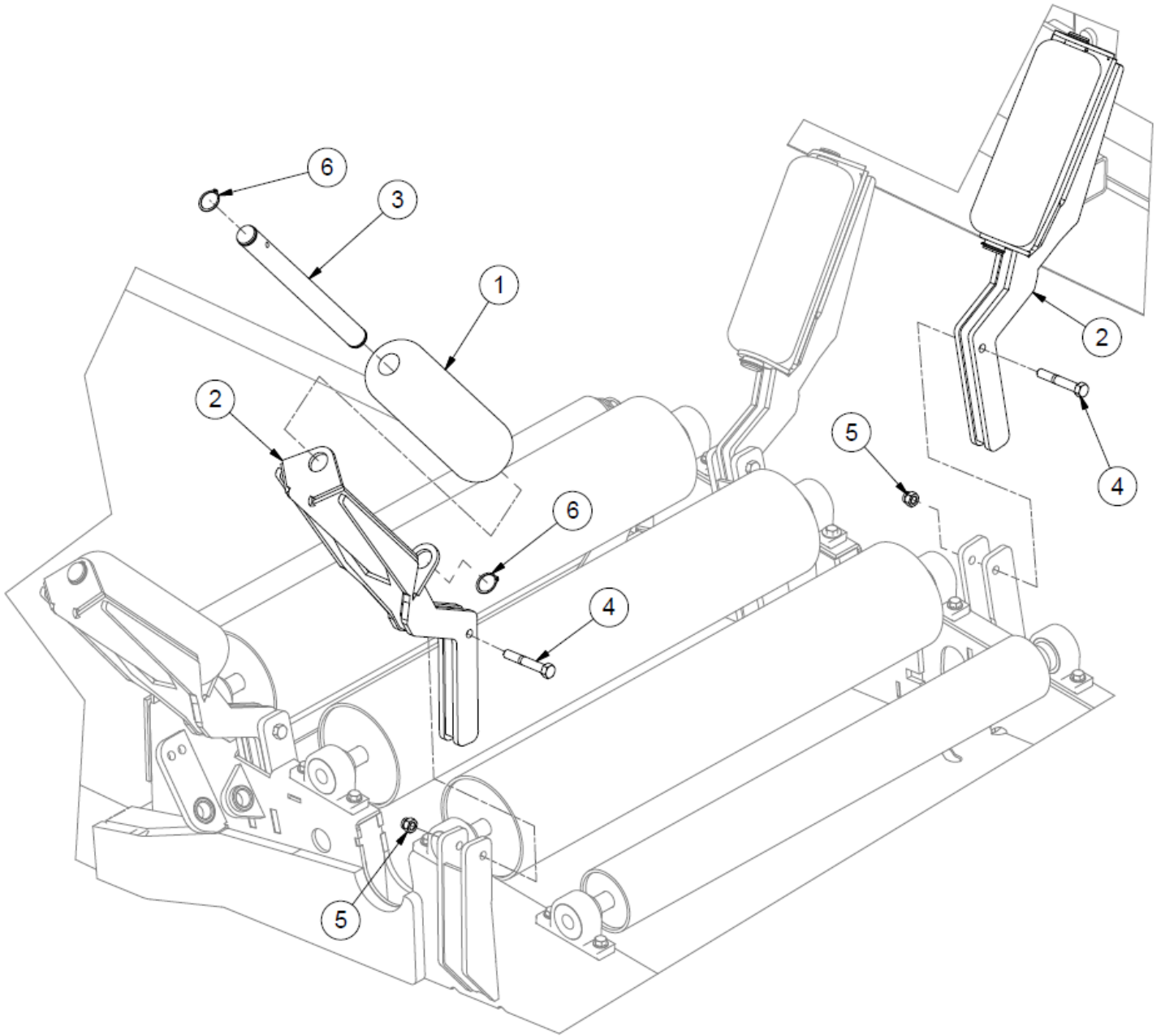


## TLPSSKWE CV - Wireless Plastic Sensor Shutdown Kit

| ITEM | QTY | PART NUMBER       | DESCRIPTION   | NOTE            |
|------|-----|-------------------|---|-----------------|
| 1    | 2   | 41970             | Film Sensor Transmitter Board                           |                 |
| 2    | 2   | 42697             | Film Sensor Bushing Assembly                            | Inc Items 3 - 5 |
| 3    | 2   | 42698             | Film Sensor Bushing                                     |                 |
| 4    | 4   | 42699             | 1/2" Rare Earth Magnet                                  |                 |
| 5    | 2   | SS 14X14          | Allan Head Set Screw, Cup Point Set Screw 1/4-20 x 1/4  |                 |
| 6    | 1   | 43615             | Receiver Board for ECV Film Sensor                      |                 |
| 7    | 1   | 44908             | Film Break Sensor Harness for ECV                       |                 |
| 8    | 2   | HB 1/4-20X1.25 Z5 | Hex Bolt 1/4-20x1 1/4 Grade 5 Zinc Plated Hex Cap Screw |                 |
| 9    | 2   | LN #8 N           | LN 3/16-32 Zinc Plated Nylon Insert Lock Nut            |                 |
| 10   | 2   | LN 1/4 N          | LN 1/4-20 Zinc Plated Nylon Insert Lock Nut             |                 |
| 11   | 2   | MS #8X32X1.25     | Machine Screw - (Inch)                                  |                 |



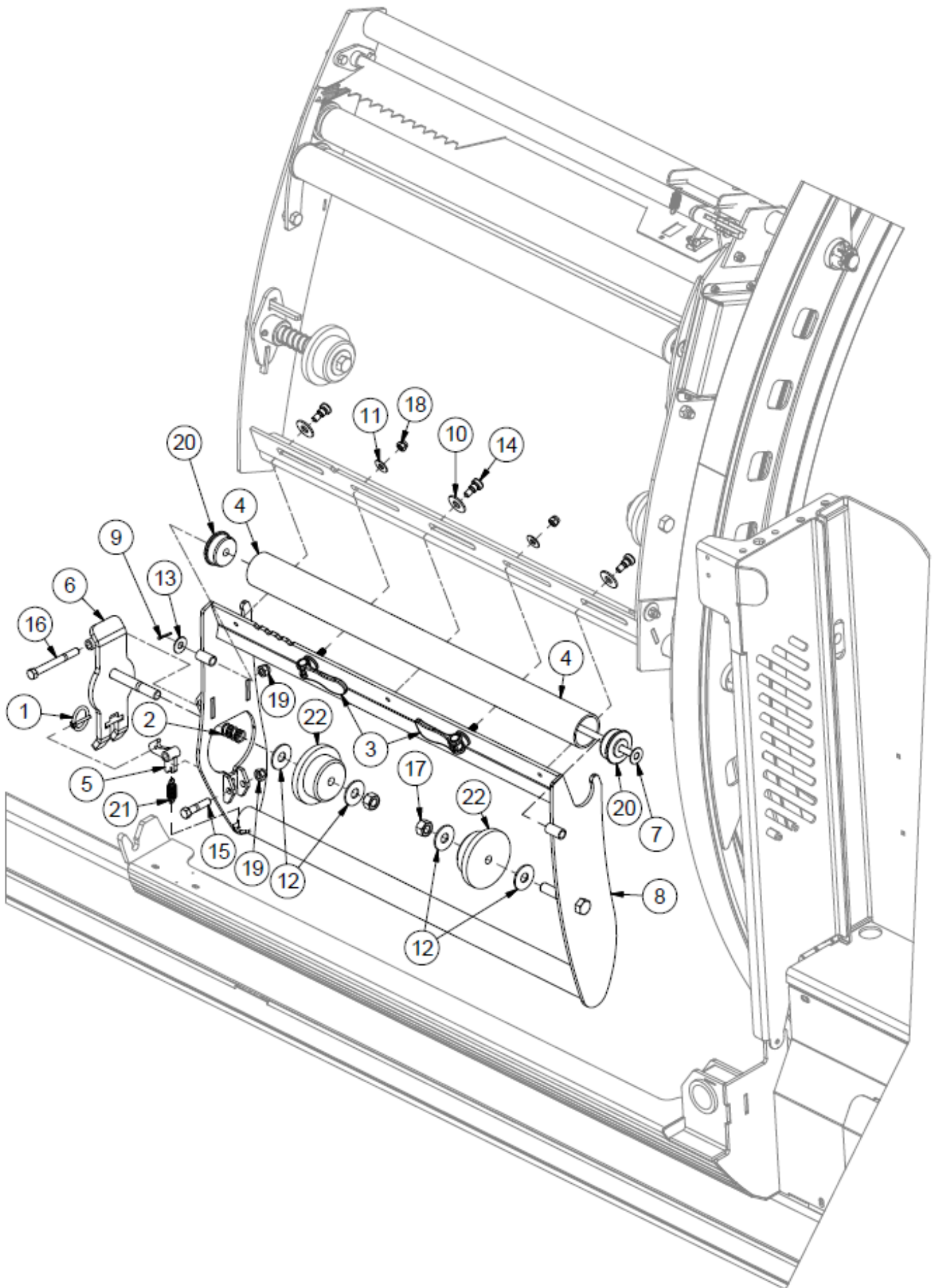
# TLGR50 - Optional Guide Rollers



## TLGR50 - Optional Guide Rollers

| ITEM | QTY | PART NUMBER       | DESCRIPTION   |
|------|-----|-------------------|---|
| 1    | 2   | 43631             | Guide Roller  |
| 2    | 2   | 43723             | Guide Roller Mount                                      |
| 3    | 2   | 43808             | Guide Roller Shaft                                      |
| 4    | 2   | HB 1/2-13X3.25 Z5 | Hex Bolt 1/2-13x3 1/4 Grade 5 Zinc Plated Hex Cap Screw |
| 5    | 2   | LN 1/2 N          | LN 1/2-13 Zinc Plated Nylon Insert Lock Nut             |
| 6    | 4   | RR 1.188          | Retaining Ring-1 3/16- External                         |

# TLTWKOFF - Offset Twin Wrap Kit



## TLTWKOFF - Offset Twin Wrap Kit

| ITEM | QTY | PART NUMBER     | DESCRIPTION  | NOTE                                |
|------|-----|-----------------|--|-------------------------------------|
|      | 1   | TLTWKOFF        | Complete Offset Twin Wrap Kit                          | Inc. 2 of 44277                     |
|      | 2   | 44277           | Offset Twin Wrap Assembly                              | Items 1-22<br>(Qty for 1 side only) |
| 1    | 1   | 25680           | Lynch Pin 3/16 X 1.5                                   |                                     |
| 2    | 1   | 41916           | Twin Wrap Spring                                       |                                     |
| 3    | 2   | 41927           | Cam Handle   |                                     |
| 4    | 1   | 44279           | Plastic Roller   |                                     |
| 5    | 1   | 44280           | Latch Hook   |                                     |
| 6    | 1   | 44281           | Spool Latch  |                                     |
| 7    | 1   | 44282           | Twin Wrap Roller Pin                                   |                                     |
| 8    | 1   | 44283           | Twin Wrap Frame  |                                     |
| 9    | 1   | CP 18X1         | Pin, Cotter - 1/8" X 1.0"                              |                                     |
| 10   | 3   | FW 1/2          | Flatwasher - 1/2" Zinc Plated USS                      |                                     |
| 11   | 2   | FW 3/8          | Flatwasher - 3/8" Zinc Plated USS                      |                                     |
| 12   | 4   | FW 5/8          | Flatwasher - 5/8" Zinc Plated USS                      |                                     |
| 13   | 1   | FW 7/16         | Flatwasher - 7/16" Zinc Plated USS                     |                                     |
| 14   | 3   | HB 1/2X3/8 SS   | Socket Head Shoulder Screws - 1/2 Shldr x 3/8 x 3/8-16 |                                     |
| 15   | 1   | HB 7/16-14X2 Z5 | Hex Bolt 7/16-14x2 Grade 5 Zinc Plated Hex Cap Screw   |                                     |
| 16   | 1   | HB 7/16-14X4 Z5 | Hex Bolt 7/16-14x4 Grade 5 Zinc Plated Hex Cap Screw   |                                     |
| 17   | 2   | HN 5/8          | Hex Nut 5/8"-11 Grade 5 Zinc Plated Finished           |                                     |
| 18   | 2   | LN 3/8 N        | LN 3/8-16 Zinc Plated Nylon Insert Lock Nut            |                                     |
| 19   | 2   | LN 7/16 N       | LN 7/16-14 Zinc Plated Nylon Insert Lock Nut           |                                     |
| 20   | 2   | TL500-100-021   | Plastic Roller Cap                                     |                                     |
| 21   | 1   | TL500-100-062   | Trigger Spring   |                                     |
| 22   | 2   | TL550-200-012   | Plastic Wrap Spool                                     |                                     |

## TLRF - Roadflex Suspension Axle

Not available at time of publication.

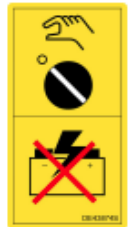
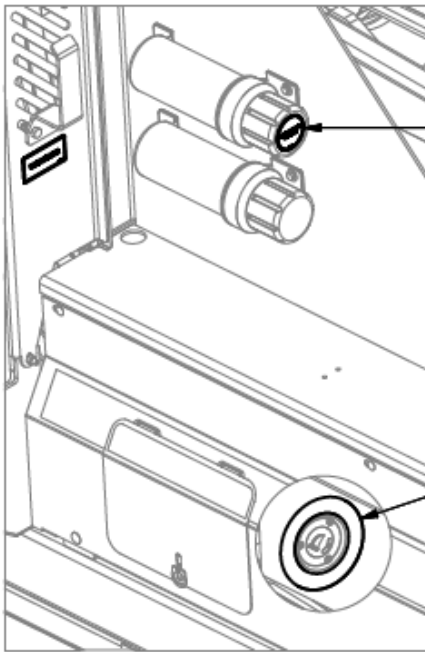
## TLRF - Roadflex Suspension Axle

Not available at time of publication.

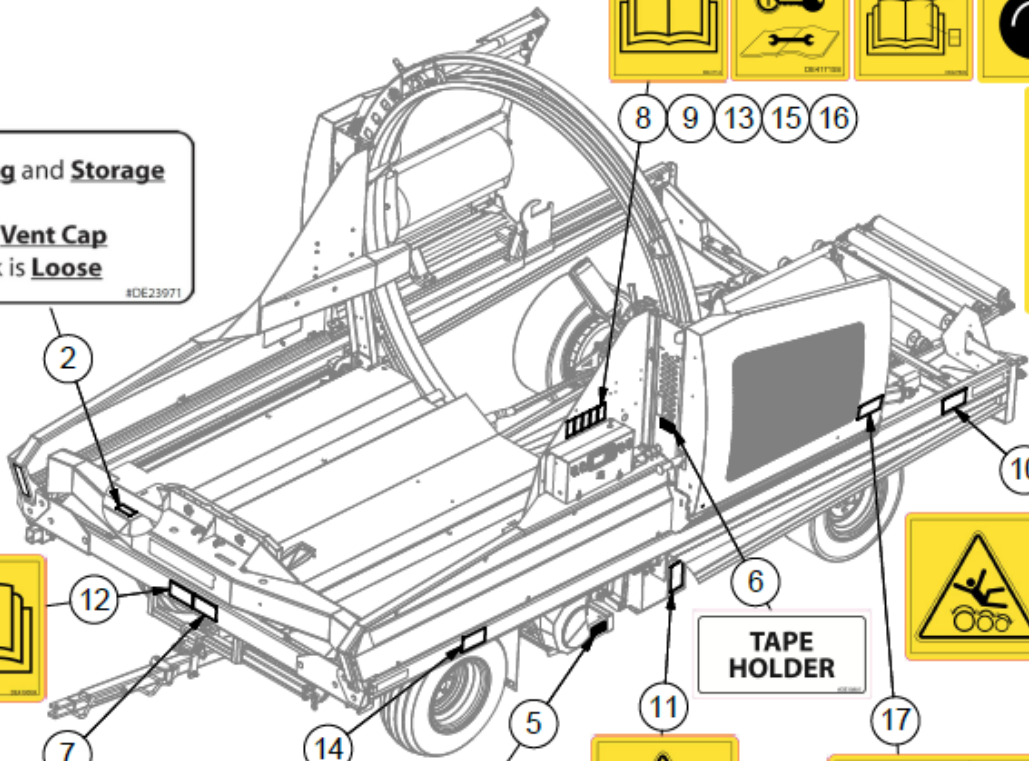
# Section 6: Decals

## Safety Decal Locations

NOTE: Decals not to scale.



For **Wrapping and Storage**  
Be sure **Vent Cap**  
on tank is **Loose**  
#DE23971



TAPE HOLDER

+ CHARGING TERMINAL














## Safety Decal List

| ITEM | QTY | PART NUMBER | DESCRIPTION                                |
|------|-----|-------------|--|
| 1    | 1   | DE23941     | Canada/USA Patent Decal                    |
| 2    | 1   | DE23971     | Wrapping and Storage Decal                 |
| 3    | 1   | DE30871     | Oil Fill Cap Decal                         |
| 4    | 1   | DE30879     | Remote Control Decal                       |
| 5    | 1   | DE30880     | Battery Boost Decal                        |
| 6    | 2   | DE30881     | Tape Holder Decal                          |
| 7    | 1   | DE41713H    | ISO Decal - High Pressure Fluid Horizontal |
| 8    | 1   | DE41714S    | ISO Decal - Read Operator's Manual         |
| 9    | 1   | DE41715S    | ISO Decal - Remove Key Before Repair       |
| 10   | 2   | DE41921     | ISO Decal - Do Not Stand on Rollers        |
| 11   | 1   | DE41925     | ISO Decal - Hoop Wheel Entanglement        |
| 12   | 1   | DE41935H    | ISO Decal - Transport Speed Limit          |
| 13   | 1   | DE42784S    | ISO Decal - Read OM Decal Section          |
| 14   | 2   | DE43049     | ISO Decal - Wheel Crush                    |
| 15   | 1   | DE43873S    | ISO Decal - Engine Start in MAN            |
| 16   | 1   | DE43874S    | ISO Decal - Panel OFF Before Boosting      |
| 17   | 1   | DE43875H    | ISO Decal - Hand Crush                     |
| 18   | 1   | DECANADA    | Decal Made In Canada                       |



# Imperial Torque Value Chart

## UNIFIED INCH BOLT AND CAP SCREW TORQUE VALUES

|                             |   |   |   |   |   |   |
|-----------------------------|---|---|---|---|---|---|
| SAE Grade and Head Markings | 1 or 2 <sup>b</sup>   | 5   | 5.1   | 5.2   | 8   | 8.2   |
|                             | NO MARK  |  |   |  |  |  |
| SAE Grade and Nut Markings  | 2   | 5   |   | 8   |   |   |
|                             | NO MARK  |  |  |  |  |   |

T81162 -19-03M4109

| Size  | Grade 1                 |       |                  |       | Grade 2 <sup>b</sup>    |       |                  |       | Grade 5, 5.1, or 5.2    |       |                  |       | Grade 8 or 8.2          |       |                  |       |
|-------|-------------------------|-------|------------------|-------|-------------------------|-------|------------------|-------|-------------------------|-------|------------------|-------|-------------------------|-------|------------------|-------|
|       | Lubricated <sup>a</sup> |       | Dry <sup>a</sup> |       | Lubricated <sup>a</sup> |       | Dry <sup>a</sup> |       | Lubricated <sup>a</sup> |       | Dry <sup>a</sup> |       | Lubricated <sup>a</sup> |       | Dry <sup>a</sup> |       |
|       | N-m                     | lb-ft | N-m              | lb-ft | N-m                     | lb-ft | N-m              | lb-ft | N-m                     | lb-ft | N-m              | lb-ft | N-m                     | lb-ft | N-m              | lb-ft |
| 1/4   | 3.7                     | 2.8   | 4.7              | 3.5   | 6                       | 4.5   | 7.5              | 5.5   | 9.5                     | 7     | 12               | 9     | 13.5                    | 10    | 17               | 12.5  |
| 5/16  | 7.7                     | 5.5   | 10               | 7     | 12                      | 9     | 15               | 11    | 20                      | 15    | 25               | 18    | 28                      | 21    | 35               | 26    |
| 3/8   | 14                      | 10    | 17               | 13    | 22                      | 16    | 27               | 20    | 35                      | 26    | 44               | 33    | 50                      | 36    | 63               | 46    |
| 7/16  | 22                      | 16    | 28               | 20    | 35                      | 26    | 44               | 32    | 55                      | 41    | 70               | 52    | 80                      | 58    | 100              | 75    |
| 1/2   | 33                      | 25    | 42               | 31    | 53                      | 39    | 67               | 50    | 85                      | 63    | 110              | 80    | 120                     | 90    | 150              | 115   |
| 9/16  | 48                      | 36    | 60               | 45    | 75                      | 56    | 95               | 70    | 125                     | 90    | 155              | 115   | 175                     | 130   | 225              | 160   |
| 5/8   | 67                      | 50    | 85               | 62    | 105                     | 78    | 135              | 100   | 170                     | 125   | 215              | 160   | 240                     | 175   | 300              | 225   |
| 3/4   | 120                     | 87    | 150              | 110   | 190                     | 140   | 240              | 175   | 300                     | 225   | 375              | 280   | 425                     | 310   | 550              | 400   |
| 7/8   | 190                     | 140   | 240              | 175   | 190                     | 140   | 240              | 175   | 490                     | 360   | 625              | 450   | 700                     | 500   | 875              | 650   |
| 1     | 290                     | 210   | 360              | 270   | 290                     | 210   | 360              | 270   | 725                     | 540   | 925              | 675   | 1050                    | 750   | 1300             | 975   |
| 1-1/8 | 400                     | 300   | 510              | 375   | 400                     | 300   | 510              | 375   | 900                     | 675   | 1150             | 850   | 1450                    | 1075  | 1850             | 1350  |
| 1-1/4 | 570                     | 425   | 725              | 530   | 570                     | 425   | 725              | 530   | 1300                    | 950   | 1650             | 1200  | 2050                    | 1500  | 2600             | 1950  |
| 1-3/8 | 750                     | 550   | 950              | 700   | 750                     | 550   | 950              | 700   | 1700                    | 1250  | 2150             | 1550  | 2700                    | 2000  | 3400             | 2550  |
| 1-1/2 | 1000                    | 725   | 1250             | 925   | 990                     | 725   | 1250             | 930   | 2250                    | 1650  | 2850             | 2100  | 3600                    | 2650  | 4550             | 3350  |

DO NOT use these values if a different torque value or tightening procedure is given for a specific application. Torque values listed are for general use only. Check tightness of fasteners periodically.

Shear bolts are designed to fail under predetermined loads. Always replace shear bolts with identical grade.

<sup>a</sup> "Lubricated" means coated with a lubricant such as engine oil, or fasteners with phosphate and oil coatings. "Dry" means plain or zinc plated without any lubrication.

<sup>b</sup> Grade 2 applies for hex cap screws (not hex bolts) up to 152 mm (6-in.) long. Grade 1 applies for hex cap screws over 152 mm (6-in.) long, and for all other types of bolts and screws of any length.

Fasteners should be replaced with the same or higher grade. If higher grade fasteners are used, these should only be tightened to the strength of the original.





















Make sure fasteners threads are clean and that you properly start thread engagement. This will prevent them from failing when tightening.

Tighten plastic insert or crimped steel-type lock nuts to approximately 50 percent of the dry torque shown in the chart, applied to the nut, not to the bolt head. Tighten toothed or serrated-type lock nuts to the full torque value.

DX.TOR01 -19-20JUL04

# Metric Torque Value Chart

## METRIC BOLT AND CAP SCREW TORQUE VALUES

|                                  |   |   |   |   |  |   |   |   |   |   |
|----------------------------------|---|---|---|---|--|---|---|---|---|---|
| Property Class and Head Markings | 4.8   |   | 8.8   |   | 9.8  |   | 10.9  |   | 12.9  |   |
|                                  |  |  |  |  |  |  |  |  |  |  |
| Property Class and Nut Markings  | 5   |   | 10  |   | 10   |   | 10  |   | 12  |   |
|                                  |  |  |  |  |   |  |  |  |  |  |

| Size | Class 4.8               |       |                  |       | Class 8.8 or 9.8        |       |                  |       | Class 10.9              |       |                  |       | Class 12.9              |       |                  |       |
|------|-------------------------|-------|------------------|-------|-------------------------|-------|------------------|-------|-------------------------|-------|------------------|-------|-------------------------|-------|------------------|-------|
|      | Lubricated <sup>a</sup> |       | Dry <sup>a</sup> |       | Lubricated <sup>a</sup> |       | Dry <sup>a</sup> |       | Lubricated <sup>a</sup> |       | Dry <sup>a</sup> |       | Lubricated <sup>a</sup> |       | Dry <sup>a</sup> |       |
|      | N-m                     | lb-ft | N-m              | lb-ft | N-m                     | lb-ft | N-m              | lb-ft | N-m                     | lb-ft | N-m              | lb-ft | N-m                     | lb-ft | N-m              | lb-ft |
| M6   | 4.8                     | 3.5   | 6                | 4.5   | 9                       | 6.5   | 11               | 8.5   | 13                      | 9.5   | 17               | 12    | 15                      | 11.5  | 19               | 14.5  |
| M8   | 12                      | 8.5   | 15               | 11    | 22                      | 16    | 28               | 20    | 32                      | 24    | 40               | 30    | 37                      | 28    | 47               | 35    |
| M10  | 23                      | 17    | 29               | 21    | 43                      | 32    | 55               | 40    | 63                      | 47    | 80               | 60    | 75                      | 55    | 95               | 70    |
| M12  | 40                      | 29    | 50               | 37    | 75                      | 55    | 95               | 70    | 110                     | 80    | 140              | 105   | 130                     | 95    | 165              | 120   |
| M14  | 63                      | 47    | 80               | 60    | 120                     | 88    | 150              | 110   | 175                     | 130   | 225              | 165   | 205                     | 150   | 260              | 190   |
| M16  | 100                     | 73    | 125              | 92    | 190                     | 140   | 240              | 175   | 275                     | 200   | 350              | 255   | 320                     | 240   | 400              | 300   |
| M18  | 135                     | 100   | 175              | 125   | 260                     | 195   | 330              | 250   | 375                     | 275   | 475              | 350   | 440                     | 325   | 560              | 410   |
| M20  | 190                     | 140   | 240              | 180   | 375                     | 275   | 475              | 350   | 530                     | 400   | 675              | 500   | 625                     | 460   | 800              | 580   |
| M22  | 260                     | 190   | 330              | 250   | 510                     | 375   | 650              | 475   | 725                     | 540   | 925              | 675   | 850                     | 625   | 1075             | 800   |
| M24  | 330                     | 250   | 425              | 310   | 650                     | 475   | 825              | 600   | 925                     | 675   | 1150             | 850   | 1075                    | 800   | 1350             | 1000  |
| M27  | 490                     | 360   | 625              | 450   | 950                     | 700   | 1200             | 875   | 1350                    | 1000  | 1700             | 1250  | 1600                    | 1150  | 2000             | 1500  |
| M30  | 675                     | 490   | 850              | 625   | 1300                    | 950   | 1650             | 1200  | 1850                    | 1350  | 2300             | 1700  | 2150                    | 1600  | 2700             | 2000  |
| M33  | 900                     | 675   | 1150             | 850   | 1750                    | 1300  | 2200             | 1650  | 2500                    | 1850  | 3150             | 2350  | 2900                    | 2150  | 3700             | 2750  |
| M36  | 1150                    | 850   | 1450             | 1075  | 2250                    | 1650  | 2850             | 2100  | 3200                    | 2350  | 4050             | 3000  | 3750                    | 2750  | 4750             | 3500  |

DO NOT use these values if a different torque value or tightening procedure is given for a specific application. Torque values listed are for general use only. Check tightness of fasteners periodically.

Shear bolts are designed to fail under predetermined loads. Always replace shear bolts with identical property class.

Fasteners should be replaced with the same or higher property class. If higher property class fasteners are used, these should only be tightened to the strength of the original.

<sup>a</sup> "Lubricated" means coated with a lubricant such as engine oil, or fasteners with phosphate and oil coatings. "Dry" means plain or zinc plated without any lubrication.

Make sure fasteners threads are clean and that you properly start thread engagement. This will prevent them from failing when tightening.

Tighten plastic insert or crimped steel-type lock nuts to approximately 50 percent of the dry torque shown in the chart, applied to the nut, not to the bolt head. Tighten toothed or serrated-type lock nuts to the full torque value.

# Index

|   |      |
|---|------|
| 13hp Throttle Linkage . . . . .   | .2-5 |
| 20hp Throttle Linkage . . . . .   | .2-7 |
| Bale Deck . . . . .   | 1-24 |
| Battery . . . . .   | .4-5 |
| Control Panel . . . . .   | .4-1 |
| Cylinder Supports . . . . .   | 1-16 |
| Front Corners . . . . .   | 1-18 |
| Front Pushoff . . . . .   | 1-22 |
| Guide Rollers - Standard . . . . .  | 1-36 |
| Hoop . . . . .  | .1-2 |
| Hoop Drive . . . . .  | .1-4 |
| Hydraulic Layout - Front Circuits . . . . .   | .3-1 |
| Hydraulic Layout - Rear Circuits . . . . .  | .3-3 |
| Hydraulic Manifold Connections . . . . .  | .3-8 |
| Hydraulic Manifold Mount . . . . .  | .3-7 |
| Hydraulic Manifold Valves . . . . .   | .3-9 |
| Hydraulic Oil Tank . . . . .  | .3-5 |
| Imperial Torque Value Chart . . . . .   | .7-1 |
| Inline Wrapper 3 Year Limited Warranty Statement ( <i>Excludes Individual Wrapper</i> ) . . . . . | //   |
| Left Hoop Brace . . . . .   | .1-8 |
| Main Electrical Harness . . . . .   | .4-3 |
| Maintenance Guard . . . . .   | 1-14 |
| Manuals . . . . .   | . I  |
| Metric Torque Value Chart . . . . .   | .8-1 |
| Parking Brake . . . . .   | 1-32 |
| Part Orders . . . . .   | . I  |
| Parts Manual . . . . .  | . I  |
| Parts Manual Usage . . . . .  | . I  |
| Plastic Film Carrier . . . . .  | .1-6 |
| Rear Axle . . . . .   | 1-30 |
| Rear Light Brackets . . . . .   | 1-34 |
| Right Hoop Brace. . . . .   | 1-10 |
| Roller Bed . . . . .  | 1-28 |
| Safety Decal List . . . . .   | .6-2 |
| Safety Decal Locations . . . . .  | .6-1 |
| Safety Guard . . . . .  | 1-12 |
| Section 1: Basic Parts . . . . .  | .1-1 |
| Section 2: Engines . . . . .  | .2-1 |
| Section 3: Hydraulics . . . . .   | .3-1 |
| Section 4: Electrical . . . . .   | .4-1 |
| Section 5: Options . . . . .  | .5-1 |
| Section 6: Decals . . . . .   | .6-1 |
| Serial Number. . . . .  | . I  |
| Side Rails . . . . .  | 1-20 |

|   |      |
|---|------|
| Speed Sensor . . . . .                                      | .4-7 |
| Steering. . . . .   | 1-26 |
| Table Trigger . . . . .                                     | .4-9 |
| TL13HP - 13hp Honda . . . . .                               | .2-1 |
| TL20HP - 20hp Honda . . . . .                               | .2-3 |
| TLGR50 - Optional Guide Rollers . . . . .                   | 5-20 |
| TLGSECV - Laser Guidance System. . . . .                    | 5-14 |
| TLHPD5000ECV - Single Power Drive . . . . .                 | .5-2 |
| TLHPDD5000ECV - Dual Power Drive . . . . .                  | .5-4 |
| TLMPO-5000 - Bale Dispatch Arm . . . . .                    | 5-12 |
| TLNWLK-ECV - Halogen Night Light Kit. . . . .               | .5-8 |
| TLNWLKLED-ECV - LED Night Light Kit . . . . .               | .5-6 |
| TLPSSK-ECV - Plastic Sensor Shutdown Kit . . . . .          | 5-16 |
| TLPSSKWE CV - Wireless Plastic Sensor Shutdown Kit. . . . . | 5-18 |
| TLRF - Roadflex Suspension Axle . . . . .                   | 5-24 |
| TLRSSKX2HDECV - Remote Control Kit . . . . .                | 5-10 |
| TLTWKOFF - Offset Twin Wrap Kit . . . . .                   | 5-22 |



**WARNING**

The engine exhaust from this product contains chemicals known in the state of California to cause cancer, birth defects, or other reproductive harm.

**TUBE•LINE™**